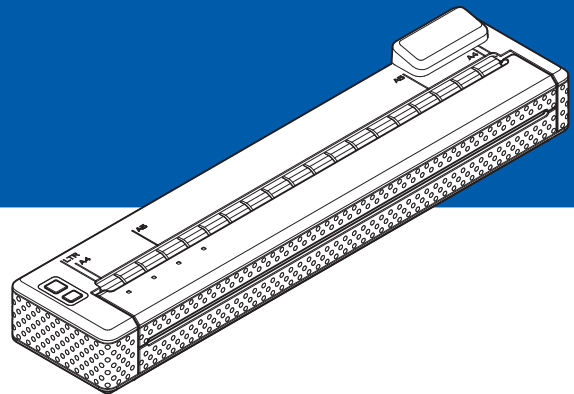


PocketJet

USER'S GUIDE



PJ-673 Mobile Printer

- Before using this printer, be sure to read this Users Guide.
- We suggest that you keep this manual in a handy place for future reference.

Introduction

Thank you for purchase of the Brother mobile printer PocketJet PJ-673 (hereafter referred to as “the printer”). This mobile thermal printer can be connected to an iPhone or iPad (hereafter referred to as “an iOS device”) or a computer running Windows® to print documents. Be sure to read User’s Guide and Safety and Legal Guide before using the printer. We suggest that you keep this document in a handy place for future reference.

When printing from an iOS device, printing software created by a software developer will be needed in addition to the product and services that we provide. (We provide a Software Development Kit (hereafter referred to as “SDK”) that can be used.) Consult with a software developer for printing software for the iOS device.

Symbols Used in This Document

The following symbols are used throughout this document.



This symbol indicates instructions that may result in injuries or damage if they are ignored or incorrectly followed.



This symbol indicates information or directions that should be followed. Ignoring them may result in damage, or failed operations.



This symbol indicates notes that provide information or directions that can help you better understand and use the product more efficiently.

About This Document

This document (PDF) is included on the CD-ROM.

The latest version is available for download at:

<http://solutions.brother.com>

NOTE


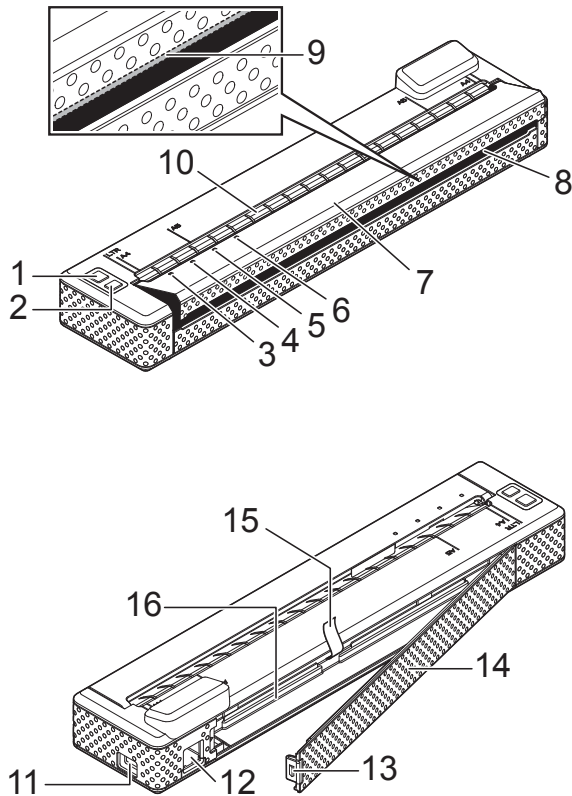
If using Adobe® Reader® to view this document on a computer, the cursor changes to  when the cursor is placed on a link. Click the link to open the corresponding page. For information about using Adobe® Reader®, see the help file included with Adobe® Reader®.



Table of Contents

1	Setting Up the Printer	1
	General Description	1
	Power Sources and Their Installation	1
	Connecting the Printer to External Power.....	2
	Connecting to an AC Power Outlet (Optional).....	2
	Connecting to a DC Power Outlet (Optional).....	2
	Using the Rechargeable Ni-MH Battery (Optional).....	3
	Installing the Rechargeable Ni-MH Battery	3
	Charging the Rechargeable Ni-MH Battery	4
	Tips on Using the Rechargeable Ni-MH Battery.....	5
	Explaining Battery Terms	5
	Using the Rechargeable Li-ion Battery (Optional)	6
	Installing the Rechargeable Li-ion Battery	6
	Charging the Rechargeable Li-ion Battery	7
	Tips on Using the Rechargeable Li-ion Battery	8
	Rechargeable Battery Overview	10
	Connecting the Printer and iOS Device	11
	Printing From an iOS Device Via a Wireless LAN Connection.....	11
	Connecting the Printer and a Windows® Computer	15
	Printing From a Windows® Computer Via a Wireless LAN Connection	15
	Printing From a Computer Running Windows® Via a USB Connection	25
	Uninstall the Printer Driver.....	26
2	Using the Printer	28
	Operation Panel.....	28
	Power Button and Feed Button Functions	28
	Indicators	29
	Switching Between Wireless LAN Mode and USB Mode	30
	Connecting the iOS Device to a Separate Wireless Network Than the One Connected to the Printer.....	31
	Changing the iOS Device's Settings.....	31
	Connecting a Windows® Computer to a Separate Wireless Network Than the One Connected to the Printer	31
	Printing Solutions.....	33
	Updating the Software	33
	Printing	33
	Making Prints Lighter or Darker	34
	Setting Printer Driver Options	35
	Paper Type	35
	Density.....	35
	2-ply Mode	35
	Page Feed Mode	35
	No Feed Mode Extra Feed	36
	Roll Paper Pause.....	36
	Dash Line Print.....	36
	Automatically Switch Command Mode	36
	Feed Position for Custom Paper	36

Setting Paper Size	37
Selecting Paper Type	38
Cut Sheet Paper	38
Non-Perforated Roll Paper	38
Perforated Roll Paper	38
Tips on Using Paper	39
Using Genuine Brother Thermal Paper	39
3 Brother PJ-673 Utility	40
Overview	40
Installing Brother PJ-673 Utility	40
Uninstalling PJ-673 Utility	41
Using PJ-673 Utility	42
Before Using PJ-673 Series Utility	42
Starting PJ-673 Utility	42
How to Use PJ-673 Utility	42
Parameters	43
4 Maintaining the Printer	53
Cleaning the Platen Roller	53
Cleaning the Printer's Exterior	54
5 Reference	55
Indicators	55
Indicator Warnings	57
Printing a Printer Report	59
6 Troubleshooting	60
Overview	60
Paper Problems	61
Printed Image Problems	61
Pages Don't Print	64
Pages Are Partially Printed	65
7 Technical Information	66
Product Specifications	66
A Character Sets	68
Character Code Tables	68

General Description



- 1  (Power) button
- 2  (Feed) button
- 3 POWER indicator
- 4 DATA indicator
- 5 STATUS indicator
- 6 WIRELESS LAN indicator
- 7 Release cover
- 8 Paper outlet slot
- 9 Tear bar
- 10 Paper input slot
- 11 USB port
- 12 AC/DC connector
- 13 Battery cover latch
- 14 Battery cover
- 15 Battery removal ribbon
- 16 Battery compartment

Power Sources and Their Installation

This printer operates on various types of power sources. Select the power source (some are sold separately) appropriate for your intended use, and then purchase the necessary equipment.

The AC adapter or car adapter can provide power directly to the printer for printing when the rechargeable Ni-MH (nickel-metal hydride) battery or rechargeable Li-ion (lithium-ion) battery (hereafter, both will be referred to simply as “the rechargeable battery”) is not installed.

In addition, the AC adapter or car adapter can be used to charge the rechargeable Ni-MH battery installed in the printer or to charge an external rechargeable Li-ion battery.

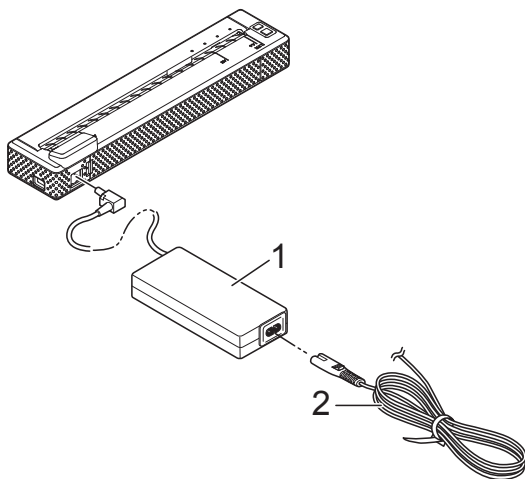
The rechargeable batteries provide power to the printer for printing when power is not supplied by the AC adapter or car adapter.

Connecting the Printer to External Power

Connecting to an AC Power Outlet (Optional)

Connect the printer to a nearby AC power outlet to power the printer or charge the rechargeable battery using AC power.

- 1 Connect the AC adapter to the printer.
- 2 Connect the AC power cord to the AC adapter.
- 3 Connect the AC power cord to a nearby AC power outlet (100 - 240 VAC, 50 - 60 Hz).



- 1 AC adapter
- 2 AC power cord

NOTE

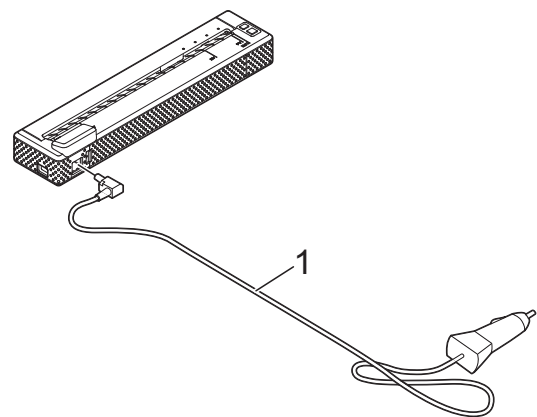
- The AC adapter and AC power cord are optional accessories. When purchasing, choose the adapter and power cord appropriate for the region where the printer will be used.
- When using the AC adapter, unwind the bundled cord.

- 4 Hold down the printer's ⏻ (Power) button for about 1 second to turn the printer on. The POWER indicator lights in green, and the printer is in standby.

Connecting to a DC Power Outlet (Optional)

Connect the printer to your vehicle's 12 V DC power outlet (cigarette lighter, etc.) to power the printer or charge the rechargeable battery using the vehicle's DC power.

- 1 Connect the Car adapter to the vehicle's 12 V DC power outlet.
- 2 Connect the Car adapter to the printer.
- 3 Start the vehicle, and then hold down the printer's ⏻ (Power) button for about 1 second to turn it on. The POWER indicator lights in green, and the printer is in standby.



- 1 Car adapter

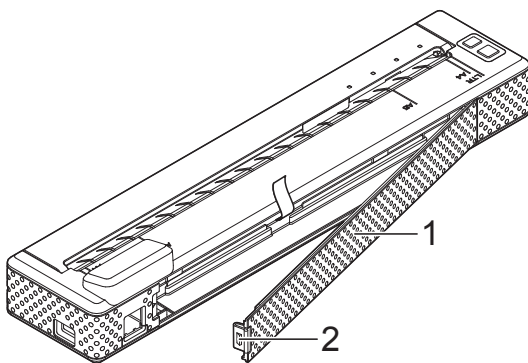
NOTE

- The Car adapter is an optional accessory.
- The voltage supplied by a vehicle fluctuates. The printing speed may differ depending on the supplied voltage.
- 24 V vehicles are incompatible.

Using the Rechargeable Ni-MH Battery (Optional)

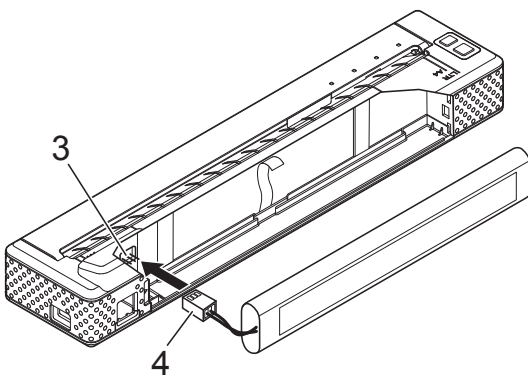
Installing the Rechargeable Ni-MH Battery

- 1 Open the battery cover (1) by pressing the cover latch (2).



- 1 Battery cover
- 2 Cover latch

- 2 Swing the cover open and remove it.
- 3 Check the orientation of the battery connector, and then gently insert the connector (4) into the terminal (3) on the inside of the battery compartment.



- 3 Terminal
- 4 Battery connector

NOTE

With the printer positioned as shown below, the red wire of the battery connector (4) will be on the left side.

- 4 Grasp the battery removal ribbon, which is attached to the inside of the battery compartment. Make sure that enough ribbon is exposed after the rechargeable Ni-MH battery is installed so that you can pull the ribbon to remove the battery.
- 5 While holding onto the ribbon, tilt the rechargeable Ni-MH battery and insert it into the battery compartment. After the rechargeable Ni-MH battery passes the outer edges of the compartment, press it securely into position.

NOTE

- Make sure that the side of the rechargeable Ni-MH battery marked "Ni-MH" faces away from the battery compartment, otherwise the battery cover will not close properly.
- The rechargeable Ni-MH battery contains a heat sensor that stops the flow of electricity if the battery overheats.

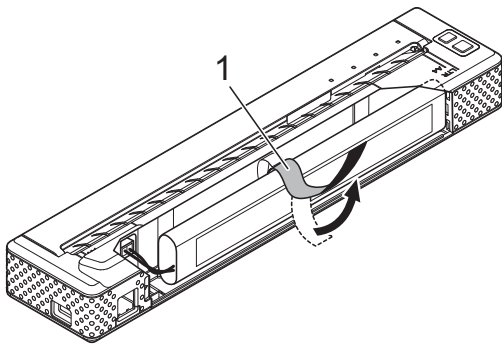
- 6 Attach the battery cover to the end of the battery compartment opposite the AC/DC connector. Close and latch the cover. If necessary, gently push the cover latch towards the AC/DC connector until it latches.

NOTE

- Be careful that you do not pinch the battery connector cord.
- The voltage supplied by the rechargeable Ni-MH battery fluctuates. The printing speed may also fluctuate depending on the voltage.

Removing the Rechargeable Ni-MH Battery

- 1 Open the battery cover by pressing the cover latch.
- 2 Swing the cover open and remove it.
- 3 Gently pull the battery removal ribbon until the rechargeable Ni-MH battery starts to tilt out of its compartment.



1 Battery removal ribbon

NOTE

If the battery removal ribbon is trapped behind the rechargeable Ni-MH battery, insert a thin metal object such as a flat-blade screwdriver between the battery and the case at the end away from the AC/DC connector and tilt it out of its compartment.

- 4 Remove the rechargeable Ni-MH battery from the compartment.
- 5 Gently pull the rechargeable Ni-MH battery connector and disconnect it from the terminal inside the printer.

Charging the Rechargeable Ni-MH Battery

Perform the following procedure to charge the rechargeable Ni-MH battery.

NOTE

- Charge the rechargeable Ni-MH battery immediately after purchase using the following procedure.
- Up to 120 minutes is needed to fully charge a rechargeable Ni-MH battery. About 70 pages can be printed when using a new, fully-charged rechargeable Ni-MH battery.


- 1 Install the rechargeable Ni-MH battery into the printer.
- 2 Use the AC adapter and AC power cord to connect the printer to an AC power outlet, or use the DC cable to connect the printer to a DC power outlet.
- 3 Make sure that the printer is turned off.
- 4 Press and hold the ⏻ (Power) button for a few seconds until the POWER indicator begins to blink in green.

NOTE

- Depending on the settings specified in PJ-673 Utility, charging of the rechargeable Ni-MH battery may begin after the battery is refreshed. For more information, see *Refresh Ni-MH Battery* on page 46.
- While the POWER indicator is blinking in green and orange, the power remaining in the rechargeable battery is being discharged and the battery is being refreshed (see *Explaining Battery Terms* on page 5).
- If there is still a considerable amount of charge in the rechargeable Ni-MH battery, it may not be refreshed.
- While the rechargeable Ni-MH battery is being refreshed, press and hold the ⏻ (Power) button to stop refreshing the battery and begin charging it.

- 5 After the rechargeable Ni-MH battery has been refreshed, charging begins automatically. The POWER indicator blinks in green until charging is complete. When charging is complete, the POWER indicator turns off.

Stopping Rechargeable Ni-MH Battery Charging

To stop rechargeable Ni-MH battery from charging, press the  (Power) button quickly two times.

Tips on Using the Rechargeable Ni-MH Battery

- Charge the rechargeable Ni-MH battery immediately after purchase. Do not use it before it is charged.
- The rechargeable Ni-MH battery loses its charge gradually over time, even if it is not used. Therefore, we recommend charging the rechargeable Ni-MH battery before using it.
- While the printer is connected to an AC or DC power outlet, a small amount of current is used to charge the rechargeable Ni-MH battery. This is called “trickle charging”. Trickle charging compensates for the battery’s tendency to gradually discharge. For this reason, we recommend connecting the printer to an AC or DC power outlet even if a rechargeable Ni-MH battery is installed.
- The rechargeable Ni-MH battery can be charged in an environment between 32°F-104°F (0°C-40°C). Charge the rechargeable Ni-MH battery in an environment within this temperature range. If the environment is not within this temperature range, a charging error will occur and charging will stop. For details on the errors shown by the indicators, see *Indicators* on page 55.
- Darker prints will discharge the rechargeable Ni-MH battery faster than lighter prints. Adjust the print density setting in the printer driver’s dialog box (see *Setting Printer Driver Options* on page 35) or in PJ-673 Utility (see *Print Density* on page 48).
- If you are experiencing problems with the rechargeable Ni-MH battery, try refreshing the battery before deciding to replace it.

If the Printer Will Not be Used For a Long Period of Time

- If the printer will not be used for a long period of time, remove the rechargeable Ni-MH battery from the printer and store it in a cool place away from direct sunlight.
- A rechargeable Ni-MH battery that is not used for a long period of time may become over-discharged or inactive. For this reason, we recommend refreshing and charging the rechargeable Ni-MH battery every 3 months.
- For other precautions, refer to the instruction manual included with the rechargeable Ni-MH battery.

Explaining Battery Terms

- Discharge

Discharge occurs when the rechargeable Ni-MH battery’s power is depleted. The battery discharges slowly over time, even when the battery is not in use. When the battery has been fully-discharged, it cannot be used until it is recharged.

■ Refresh

Refresh occurs when the printer fully discharges the rechargeable Ni-MH battery so that the battery can be recharged to its full capacity. To refresh the battery, press and hold the $\text{\textcircled{P}}$ (Power) button for a few seconds until the POWER indicator begins to blink in green and orange. The specified settings determine whether the battery is simply recharged or if it is refreshed. (See *Refresh Ni-MH Battery* on page 46 for more options.)

■ Over-discharge

Over-discharge occurs when the rechargeable Ni-MH battery's power has been depleted to the point that even when charged, it will not retain as much power as before. To avoid over-discharging the battery, charge it periodically.

■ Inactivity

Inactivity is the condition when the rechargeable Ni-MH battery has been unused for too long, and it cannot retain as much power as before. The battery can be restored to its earlier capacity by trickle charging for an hour. If more than one year has passed since the battery was last use, it will not return to its earlier capacity.

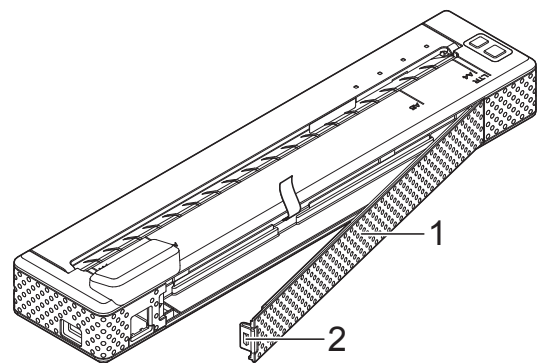
■ Trickle charge

Trickle charge is the small amount of power used to charge the rechargeable Ni-MH battery whenever the printer is connected to AC or DC power. The battery slowly discharges (loses power) over time, even when not in use. Trickle charging offsets this discharge, so that the battery remains charged.

Using the Rechargeable Li-ion Battery (Optional)

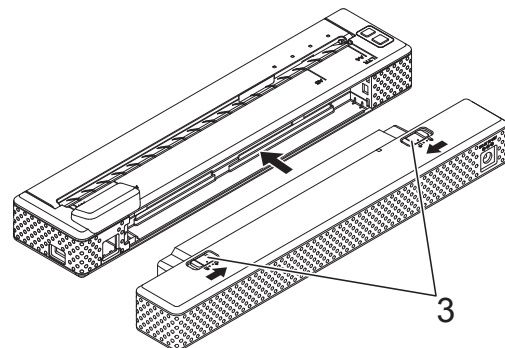
Installing the Rechargeable Li-ion Battery

- 1 Open the battery cover by pressing the cover latch.



- 1 Battery cover
- 2 Cover latch

- 2 Swing the cover open and remove it.
- 3 Move the slide switches on the rechargeable Li-ion battery inward, and then insert the battery into the battery compartment.



- 3 Slide switches

NOTE

When installing the rechargeable Li-ion battery, insert the battery removal ribbon into the battery compartment, and then install the battery. The battery removal ribbon is not needed when removing the rechargeable Li-ion battery.

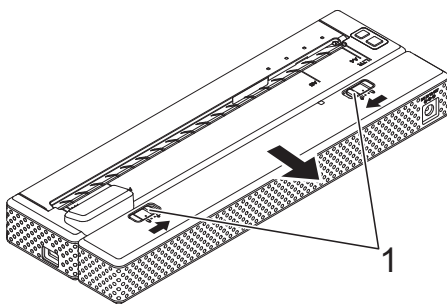
- 4 Move the slide switches outward to lock the battery in place.

NOTE

- The voltage supplied by the rechargeable Li-ion battery fluctuates. The printing speed may also fluctuate depending on the voltage.
- When the rechargeable Li-ion battery is being used, the battery cover will not be needed. Keep it in a safe place so that it will not be lost.

Removing the Rechargeable Li-ion Battery

Slide the switches on the rechargeable Li-ion battery inward, and then remove the battery from the printer.



- 1 Slide switches

Charging the Rechargeable Li-ion Battery

The rechargeable Li-ion battery can be charged either while inserted in the printer, or while removed from the printer.

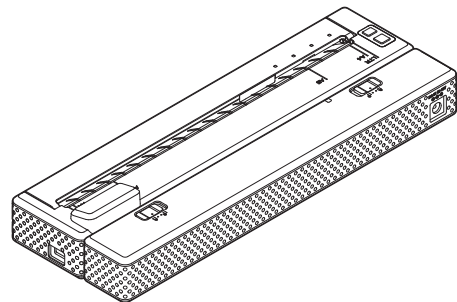
Perform the following procedure to charge the rechargeable Li-ion battery.

NOTE

- Charge the rechargeable Li-ion battery immediately after purchase using the following procedure.
- Up to 180 minutes is needed to fully charge a rechargeable Li-ion battery. About 300 pages can be printed when using a new, fully-charged rechargeable Li-ion battery.

Charging While Installed in the Printer

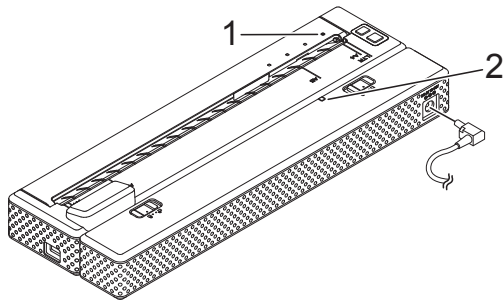
- 1 Make sure that the printer is turned off.
- 2 Make sure that the rechargeable Li-ion battery is installed in the printer.



- 3 Use the AC adapter and AC power cord to connect the rechargeable Li-ion battery to an AC power outlet, or use the DC cable to connect the battery to a DC power outlet.

The battery indicator lights in orange.

When the rechargeable Li-ion battery is fully charged, the battery indicator turns off.



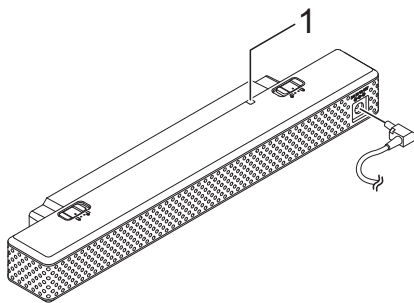
- 1 POWER indicator
- 2 Li-ion battery indicator

Charging While Removed From the Printer

Use the AC adapter and AC power cord to connect the rechargeable Li-ion battery to an AC power outlet, or use the DC cable to connect the battery to a DC power outlet.

The battery indicator lights in orange.

When the rechargeable Li-ion battery is fully charged, the battery indicator turns off.



- 1 Li-ion battery indicator

Stopping Rechargeable Li-ion Battery Charging

To stop rechargeable Li-ion battery charging, disconnect the AC power cord or DC cable from the battery's AC/DC connector.

Tips on Using the Rechargeable Li-ion Battery

- Charge the rechargeable Li-ion battery immediately after purchase. Do not use it before it is charged.
- Darker prints discharge the rechargeable Li-ion battery faster than lighter prints. Adjust the print density setting in the printer driver's dialog box (see *Setting Printer Driver Options* on page 35) or in PJ-673 Utility (see *Print Density* on page 48).
- Unlike the rechargeable Ni-MH battery, battery refreshing and trickle charging are not necessary when using the rechargeable Li-ion battery
- The rechargeable Li-ion battery charging can take place in 32°F-104°F (0°C-40°C) environments. Charge the rechargeable Li-ion battery in an environment in this temperature range. If the surrounding temperature is out of this range, the rechargeable Li-ion battery will not be charged, and the battery indicator will remain lit.

If the temperature of the environment returns to this range, recharging will continue.

- If the printer is used when both the rechargeable Li-ion battery is installed and the AC adapter or DC cable is connected, the auto power off function will turn off the printer after the specified amount of time (see *Auto Power Off(Ni-MH)* on page 46) passes, after which the rechargeable Li-ion battery will be charged. When 180 minutes (max.) have passed since the printer was turned on, the battery indicator turns off and charging stops.



If the printer is used when both the rechargeable Li-ion battery is installed and the AC adapter or DC cable is connected, the battery indicator may turn off and charging may stop even if the rechargeable Li-ion battery has not been fully charged.

In order to fully charge the battery, turn off the printer.

- When charging the rechargeable Li-ion battery while the DC cable is connected, the amount of voltage required to fully charge the rechargeable Li-ion battery may not be supplied by the DC power outlet. When 180 minutes (max.) have passed since charging started, the battery indicator turns off and charging stops even if the rechargeable Li-ion battery has not been fully charged.

Rechargeable Li-ion Battery Characteristics

Understanding the properties of the rechargeable Li-ion battery will allow you to optimize its usage.

- Using or storing the rechargeable Li-ion battery in a location exposed to high or low temperatures may accelerate its deterioration. In particular, using a rechargeable Li-ion battery with a high charge (charged 90% or more) in a location exposed to high temperatures will considerably accelerate battery deterioration.
- Using the printer while the rechargeable Li-ion battery is installed and charging may accelerate the battery's deterioration. If using the printer when the rechargeable Li-ion battery is installed, disconnect the AC adapter or DC cable.
- Try to fully discharge the rechargeable Li-ion battery before charging it.

If the Printer Will Not be Used For a Long Period of Time

- If the printer will not be used for a long period of time, remove the rechargeable Li-ion battery from the printer, and then store the battery in a cool place away from direct sunlight.
- If the rechargeable Li-ion battery will not be used for a long period of time, we recommend charging it every 6 months.
- For other precautions, refer to the instruction manual included with the rechargeable Li-ion battery.

Rechargeable Battery Overview

The characteristics of the two types of rechargeable batteries that can be used with the printer are described in the following table.

	Ni-MH battery	Li-ion battery
Battery mounting	Internal	External
Print while charging	Yes	Yes
Trickle charge battery	Yes	No
Battery charger location	Inside Printer	Inside Battery
Approximate charge time	120 min	180 min
Approximate number of pages/charge	70 pages (equivalent to A4)	300 pages (equivalent to A4)
Refresh battery feature	Yes	No
Charge without the printer	No	Yes

NOTE

Since it is necessary for the rechargeable Ni-MH battery to be trickle charged, regularly connect a power supply (AC adapter and AC power cord or car adapter). Since frequently charging the rechargeable Li-ion battery will shorten its service life, try to charge it only after it has been fully discharged.

Connecting the Printer and iOS Device



When printing from an iOS device, printing software created by a software developer will be needed in addition to the product and services that we provide. (We provide an SDK that can be used.) Consult with a software developer for printing software for the iOS device.

NOTE

- This printer can establish a connection with the “Open System” authentication method and when the encryption method is set to “None” or the “WEP” ad-hoc mode.
- While connected to this printer in ad-hoc mode, Wi-Fi cannot be used to connect to the Internet. In addition, when the iOS device enters sleep mode, the connection between the printer and iOS device will be cut.

Printing From an iOS Device Via a Wireless LAN Connection

The default printer settings are listed below.

It may be useful to first print a report of the printer settings as described in *Printing a Printer Report* on page 59.

SSID (network name): PJ-673_XXXX (where “XXXX” is **the last four digits** of the printer’s serial number)

Encryption method: WEP

WEP key: **Last five digits** of the printer’s serial number

IP address: 169.254.100.1

Subnet mask: 255.255.0.0

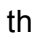



NOTE

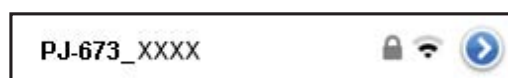
The serial number appears as “SER. NO. XXXXXX-XXXXXXXXXX” on the back of the printer.

Connecting the Printer (With the Default Settings)

Follow this setup method when using the printer’s factory default settings to connect an iOS device. To change the printer settings, see *Setting Up the Printer (With the Default Settings Changed)* on page 12.

In addition, if the printer’s wireless LAN settings are changed, even after they had already been specified, the connection between the iOS device and the printer must be re-established.

- 1 Turn on the printer.
- 2 Check that the POWER indicator is lit, and then hold down (at least 3 seconds) the  (Power) button to enter wireless LAN mode. Check that the WIRELESS LAN indicator is blinking. For details, see *Switching Between Wireless LAN Mode and USB Mode* on page 30.
- 3 Start **Settings**  on the iOS device.
- 4 Select . If  is set to **[Off]**, change it to **[On]**.
- 5 A list of Wi-Fi networks (SSID) that can be joined appears. To establish a connection, tap the printer’s default network (SSID) so that a checkmark appears beside the network (SSID). For the password, type in the default WEP key (**last five digits** of the serial number). It will take time for the iOS device to search for the SSID and display it. If it is not displayed, set Wi-Fi to **[Off]**, then to **[On]** again.



- 6 When the WIRELESS LAN indicator stops blinking and remains lit, the printer is connected.
Print from the printing software created with the SDK.

NOTE

It may take more than 1 minute to establish a wireless LAN connection. Since it differs depending on the device and environment, check with the device manufacturer.

■ If printing is not possible

In the following cases, the wireless LAN connection between the printer and iOS device will be cut, preventing printing.

- 1 The iOS device has entered sleep mode.
- 2 The printer has been turned off.
- 3 The printer has been switched to USB mode.

For the cases mentioned above, perform the operations below to re-establish the connection.

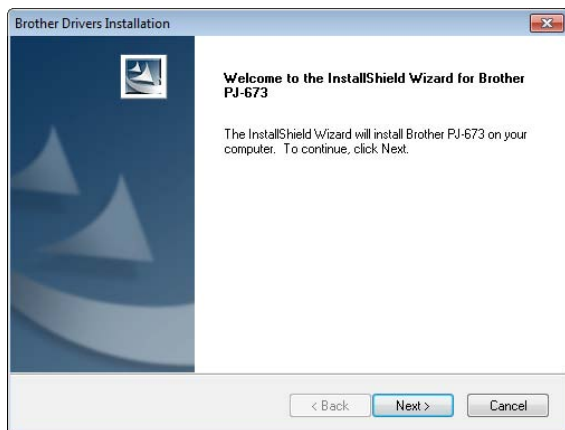
- 1 Select the SSID for the ad-hoc mode for step 6 on page 11.
- 2 Select the connection for step 1 on page 11.
- 3 Hold down the \odot (Power) button for at least 3 seconds to enter wireless LAN mode, and then select the SSID for the ad-hoc mode for step 3 on page 11.

Setting Up the Printer (With the Default Settings Changed)

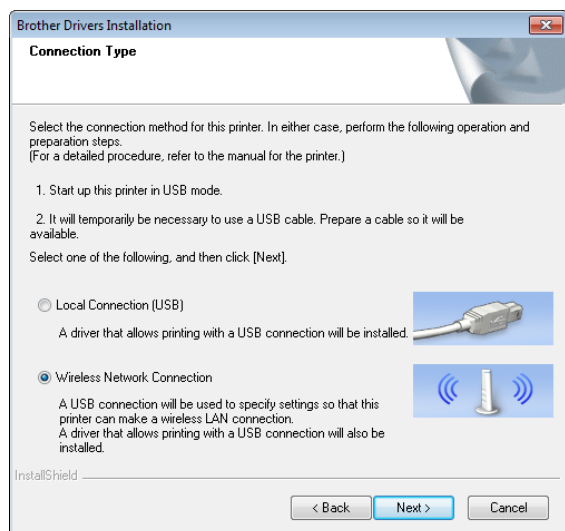
NOTE

- A computer running Windows® and a USB cable are required to change the printer's default settings, even if the printer will be used by an iOS device via a wireless LAN connection. In the process, the printer driver for a USB connection will be installed on the computer running Windows®.
- In order to use the printer via a wireless LAN connection, settings must be specified on both the printer and the iOS device. The printer settings will be specified with the printer driver; however, the settings on the iOS device must be specified manually. Specify the settings according to the procedures in this manual.
- With administrator rights, log onto the computer running Windows®.
- If, while specifying the settings, a dialog box appears, requesting administrator rights or requesting confirmation to perform the operation with administrator rights, follow the instructions.
- If, while specifying the settings, a dialog box appears, requesting confirmation to continue the installation, continue it.
- The descriptions in this manual apply to wireless network connections that can be set up using a standard procedures for your operating system. For any other cases, refer to the instruction manual included with your wireless adapter.

- 1 If you have the included CD-ROM, insert it into your computer's CD-ROM drive, and then click [**Standard Installation**] in the installer screen that appeared. If the Web version was download, run the downloaded file.
Click [**Next**].



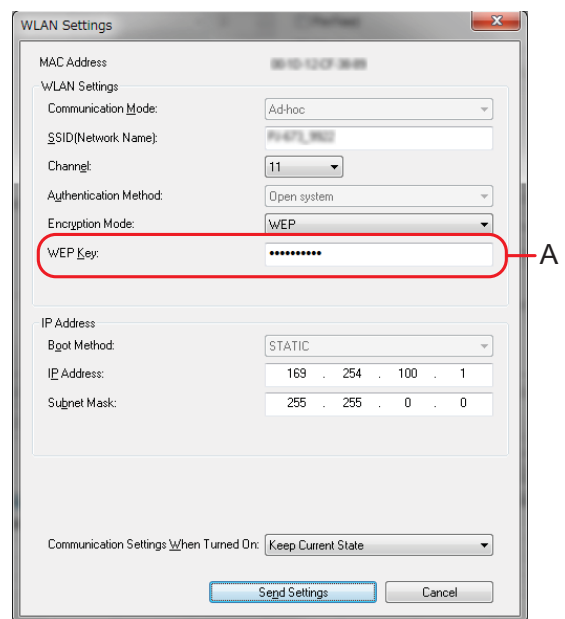
- 2 Select **[Wireless Network Connection]**, and then click **[Next]**.



- 3 With the USB cable, connect the printer to the computer running Windows[®], and then turn on the printer in USB mode. (As a factory default, the printer will be in USB mode.) If the printer is in wireless LAN mode (the WIRELESS LAN indicator is blinking), switch it to USB mode. For details, see *Switching Between Wireless LAN Mode and USB Mode* on page 30. The next screen will automatically appear.



- 4 The wireless LAN settings will appear in the **[WLAN Settings]** screen. Type the settings in the **[WLAN Settings]** screen, and then click **[Send Settings]**. Make a note of the specified settings.



NOTE

- The WEP key normally appears as shown by A, regardless of the setting retrieved by the printer at startup.
- When changing the WEP key, type in 5 or 13 ASCII characters or 10 or 26 hexadecimal characters. The WLAN settings can later be changed with PJ-673 Utility on a computer running Windows[®]. For details, see *WLAN Settings* on page 51 in *PJ-673 Utility Menu*.

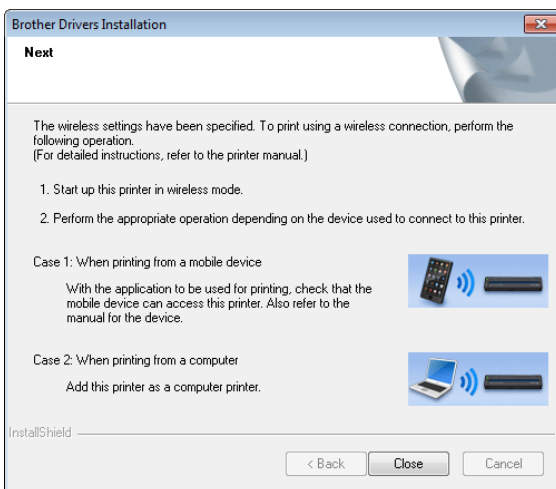
SSID	
IP Address	
Subnet Mask	
WEP Key	

! [Communication Mode], [Authentication Method] and [Boot Method] have been set to [Ad-hoc], [Open system] and [STATIC], respectively, and cannot be changed.

- 5 When the USB cable is disconnected, the next screen automatically appears.







- 6 Click [Close]. Printer setup using a computer running Windows® is now complete.

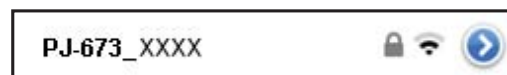


NOTE

In this procedure, the printer driver and setup utility were installed at the same time on the computer running Windows®. Later, the computer running Windows® can be used to change the settings. See *WLAN Settings* on page 51 in *PJ-673 Utility Menu*. Next, connect the printer to the iOS device.

Connecting the Printer (With the Default Settings Changed)

- 1 Turn on the printer.
- 2 Check that the POWER indicator is lit, then hold down the  (Power) button (for at least 3 seconds) to enter wireless LAN mode. Check that the WIRELESS LAN indicator is blinking. For details, see *Switching Between Wireless LAN Mode and USB Mode* on page 30.
- 3 Start **Settings**  on the iOS device.
- 4 Select . If  is set to [Off], change it to [On].
- 5 A list of Wi-Fi networks (SSID) that can be joined appears. To establish a connection, tap the network name (SSID) noted in step 4 of *Setting Up the Printer (With the Default Settings Changed)* so that a checkmark appears beside the network (SSID). If [Encryption Mode] was set to [WEP], type in the WEP key as the password. It will take time for the iOS device to search for the SSID and display it. If it is not displayed, set Wi-Fi to [Off], then to [On] again.



- 6 When the WIRELESS LAN indicator stops blinking and remains lit, the printer is connected. Print from the printing software created with the SDK.

NOTE


It may take more than 1 minute to establish a wireless LAN connection. Since it differs depending on the device and environment, check with the device manufacturer.

■ If printing is not possible

In the following cases, the wireless LAN connection between the printer and iOS device will be cut, preventing printing.

- 1 The iOS device has entered sleep mode.
- 2 The printer has been turned off.
- 3 The printer has been switched to USB mode.

For the cases mentioned above, perform the operations below to re-establish the connection.

- 1 Select the SSID for the ad-hoc mode for step 5 on page 14.
- 2 Select the connection for step 1 on page 14.
- 3 Hold down the  (Power) button for at least 3 seconds to enter wireless LAN mode, and then select the SSID for the ad-hoc mode for step 3 on page 14.

Connecting the Printer and a Windows[®] Computer

1

Printing From a Windows[®] Computer Via a Wireless LAN Connection

NOTE

- This printer can establish a connection with the “Open System” authentication method and when the encryption method is set to “None” or the “WEP” ad-hoc mode.
- The printer settings will be specified when the printer driver is installed on the Windows[®] computer. Prepare the computer and the USB cable.
- Log on with administrator rights.
- If, while specifying the settings, a dialog box appears requesting administrator rights or requesting confirmation to perform the operation with administrator rights, follow the instructions.
- If, while specifying the settings, a dialog box appears requesting confirmation to continue the installation, continue it.
- The descriptions in this manual apply to wireless LAN connections that can be set up using procedures for a standard operating system. For any other cases, refer to the instruction manual included with your wireless LAN adapter or Windows[®] Computer.
- If a firewall is being used, the installation may not be completed correctly. Open TCP/IP port number 9100. If you are unsure of how to perform the operation, check with the administrator who originally specified the settings.

- Before the installation, disconnect the LAN cable from the computer or disable the wired LAN connection.

The default printer settings are listed below.

It may be useful to first print a report of the printer settings as described in *Printing a Printer Report* on page 59.

SSID (network name): PJ-673_XXXX (where “XXXX” is **the last four digits** of the printer’s serial number)

Encryption method: WEP

WEP key: **Last five digits** of the printer’s serial number

IP address: 169.254.100.1

Subnet mask: 255.255.0.0

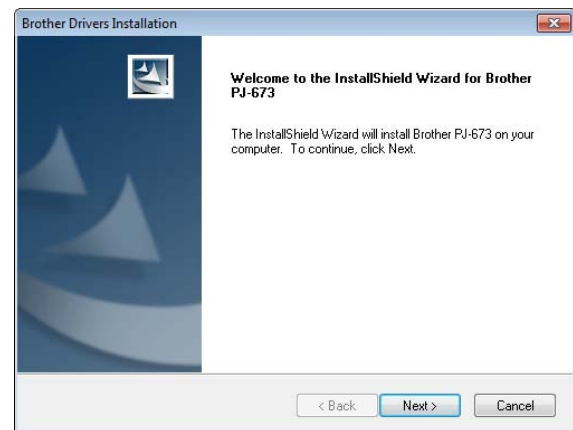
NOTE

The serial number appears as “SER. NO. XXXXXX-XXXXXXXXXX” on the back of the printer.

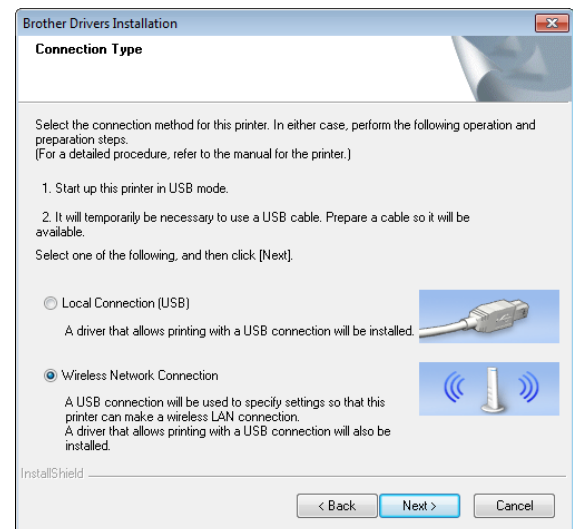
Setting Up the Printer (With the Default Settings)

If the printer will be used with its default settings, printer setup is unnecessary; however, the settings on the Windows[®] Computer must be specified manually. Specify the settings according to the procedures in this manual.

- 1 If you have the included CD-ROM, insert it into your computer’s CD-ROM drive, and then click [**Standard Installation**] in the installer screen that appeared. If the Web version was downloaded, double-click the downloaded file. Click [**Next**].



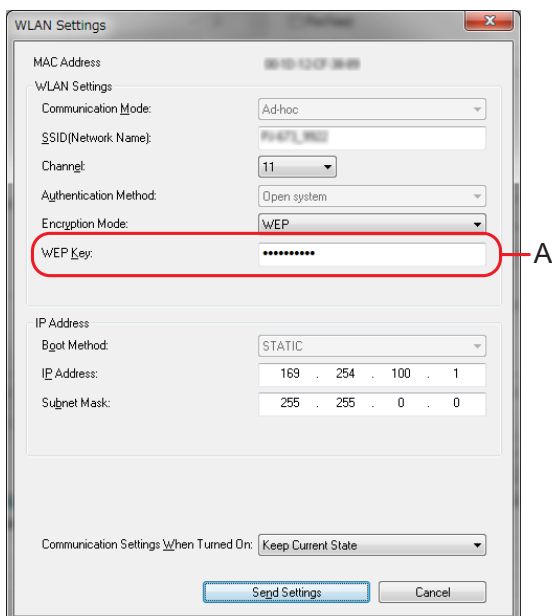
- 2 Select [**Wireless Network Connection**], and then click [**Next**].



- 3 With the USB cable, connect the printer to the computer running Windows[®], and then turn on the printer. If the printer is in wireless LAN mode (the WIRELESS LAN indicator is blinking), switch it to USB mode. For details, see *Switching Between Wireless LAN Mode and USB Mode* on page 30. The next screen will automatically appear.



- 4 Click [**Send Settings**].



- 5 When the USB cable is disconnected, the next screen automatically appears.



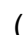
- 6 Click [**Close**].
The installation is now complete. Continue by setting up the computer running Windows® and adding the printer.

Setting Up the Computer Running Windows®

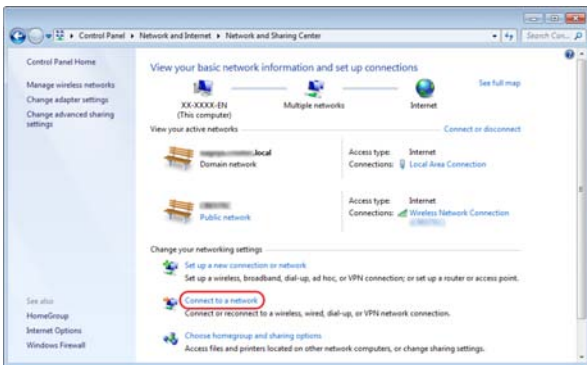
This procedure describes how to specify settings for a wireless LAN connection. Since the connection procedure differs depending on the operating system, check the procedure for your operating system. (As examples, screens from Windows® 7 are used in the following procedures.)

Performing the procedure to *Adding a Printer* will complete printing setup.

If wireless LAN is disabled on the computer running Windows®, enable it.

Switch the printer to wireless LAN mode. To enter wireless LAN mode, check that the POWER indicator is lit, and then hold down (at least 3 seconds) the  (Power) button. Check that the WIRELESS LAN indicator is blinking. For details, see *Switching Between Wireless LAN Mode and USB Mode* on page 30.

- 1 Windows® 8:
Click [**Control Panel**] in [**Apps**] screen - [**Network and Internet**].
Click [**Network and Sharing Center**].
Windows® 7:
From the [**Start**] menu, click [**Control Panel**]-[**Network and Internet**].
Click [**Network and Sharing Center**].
Windows Vista®:
From the [**Start**] menu, click [**Connect to**].
Windows® XP:
From the [**Start**] menu, click [**Control Panel**]-[**Network connection**].
Right-click [**Wireless Network Connection**], and then click [**View Available Wireless Networks**].



- 2 To establish a connection, select the printer's default SSID from the list of available SSIDs.



NOTE

If the printer's default SSID does not appear in the list, check that the printer has been turned on and is in wireless LAN mode (the WIRELESS LAN indicator is blinking), and then click the update button in the screen. If the SSID still does not appear, contact the manufacturer of your wireless LAN card. If you are using a computer with wireless LAN built in, contact the manufacturer of your computer.

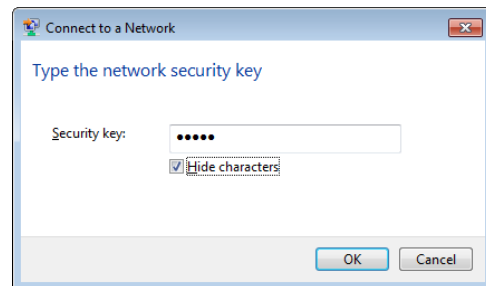
- 3 Windows® 8 / Windows® 7:
For the security key, type in the printer's default WEP key (last five digits of the serial number), and then click [OK].

Windows Vista®:

For the security key or passphrase, type in the printer's default WEP key (last five digits of the serial number), and then click [Connect].

Windows® XP:

For the network key, type in the printer's default WEP key (last five digits of the serial number), and then click [Connect].



- 4 Windows® 8 / Windows® 7 / Windows® XP:

When the WIRELESS LAN indicator stops blinking and remains lit, the printer connection is complete.

Continue with *Adding a Printer* on page 19.

Windows Vista®:

When [Connected successfully.] appears, setup is complete. Click [Close].

Continue with *Adding a Printer* on page 19.

NOTE

- Since this printer makes an ad-hoc connection, it will automatically connect to any wireless LAN access points. Take care when using a wireless LAN network.
- It may take more than 1 minute to establish a wireless LAN connection. Since it differs depending on the device and environment, check with the device manufacturer.

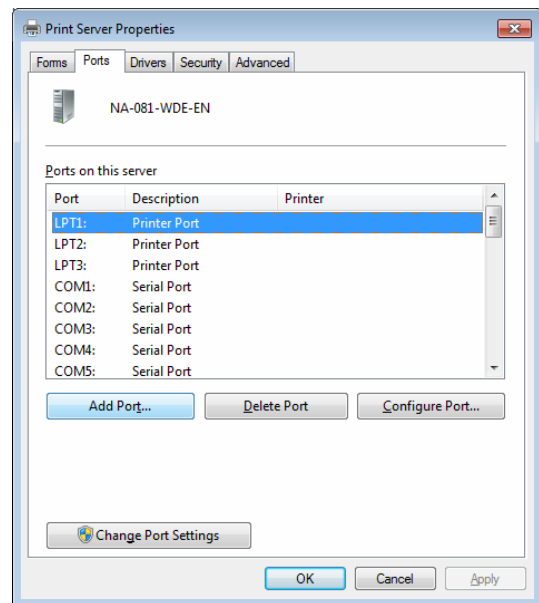
Adding a Printer

NOTE

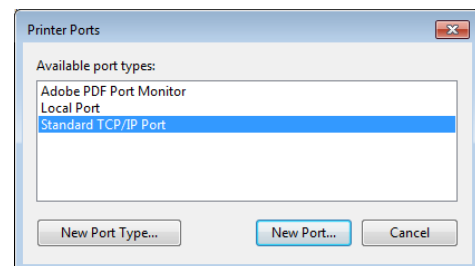
- Turn on the printer in wireless LAN mode. (page 30)
- When a printer is added, the two printer names [**Brother PJ-673 USB**] and [**Brother PJ-673**] are created. Select the first when printing via a USB connection, and select the second when printing via a wireless LAN connection.

(As examples, screens from Windows® 7 are used in the following procedures.)

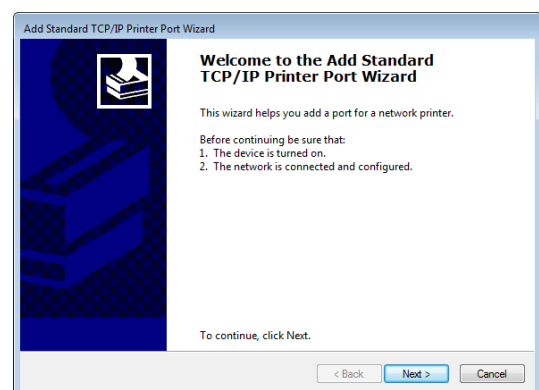
- 1 Windows® 8:
Click [**Control Panel**] in [**Apps**] screen - [**Hardware and Sound**] - [**Devices and Printers**]. Select a printer in the [**Printers and Faxes**] window, and then click [**Print Server Properties**], which appeared in the menu bar.
Click [**Add Port**] on the [**Ports**] tab.
Windows® 7:
Open [**Start**]-[**Devices and Printers**]. Select a printer in the [**Printers and Faxes**] window, and then click [**Print Server Properties**], which appeared in the menu bar.
Click [**Add Port**] on the [**Ports**] tab.
Windows Vista®:
Open [**Start**]-[**Control Panel**]-[**Hardware and Sound**]-[**Printers**]. Right-click in the window, and then click [**Run as administrator**]-[**Server Properties...**].
Click [**Add Port**] on the [**Ports**] tab.
Windows® XP:
Log on with a user account that has administrator rights, and then open [**Start**]-[**Printers and Faxes**]. From the [**File**] menu, click [**Server Properties...**].
Click [**Add Port**] on the [**Ports**] tab.



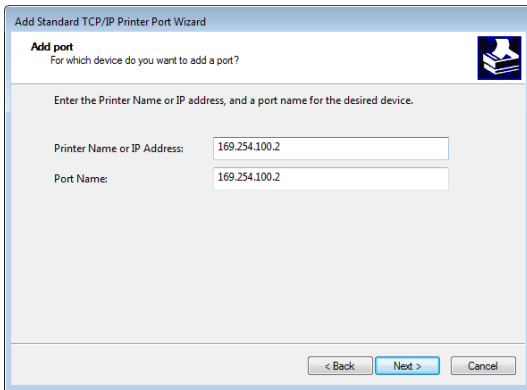
- 2 Select [**Standard TCP/IP Port**], and then click [**New Port**].



- 3 The [**Welcome to the Add Standard TCP/IP Printer Port Wizard**] window appears. Click [**Next**], and then follow the on-screen instructions.



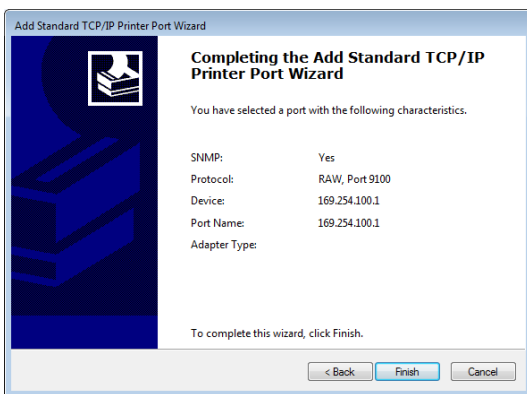
- 4 Type the IP address of your PJ-673 in the **[Printer Name or IP Address]** box, and then click **[Next]**.



NOTE

If the installation was completed using the default settings, type in **[169.254.100.1]** as the IP address of your PJ-673. If the settings were changed, type in the new settings.

- 5 If the port was detected automatically: Click **[Finish]**.



If the port was not detected automatically:

Select **[Custom]**, and then click **[Settings...]**.

Type in the following settings, and then click **[OK]**.

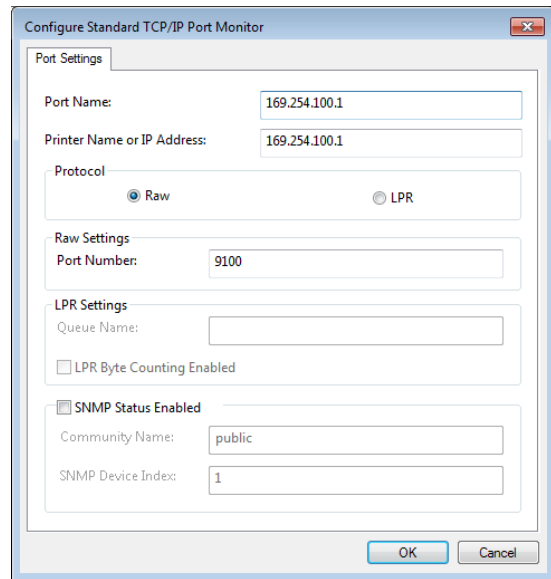
Protocol: Raw

Raw Settings: 9100

SNMP Status Enabled: Check box cleared

Type the specified IP address as the port name. If the installation was completed using the default settings, type in **[169.254.100.1]** as the IP address.

Click **[OK]** to return to the previous screen, and then click **[Next]**, then **[Finish]**.



- 6 Windows® 8: Click **[Control Panel]** in **[Apps]** screen - **[Hardware and Sound]** - **[Devices and Printers]**, and then click **[Add Printer]**.

Windows® 7:

Open **[Start]**-**[Devices and Printers]**, and then click **[Add Printer]**.

Windows Vista®:

Open **[Start]**-**[Control Panel]**-**[Hardware and Sound]**-**[Printers]**, and then click **[Install Printer]**.

Windows® XP:

Open **[Start]**-**[Printers and Faxes]**, and then click **[Install Printer]**.

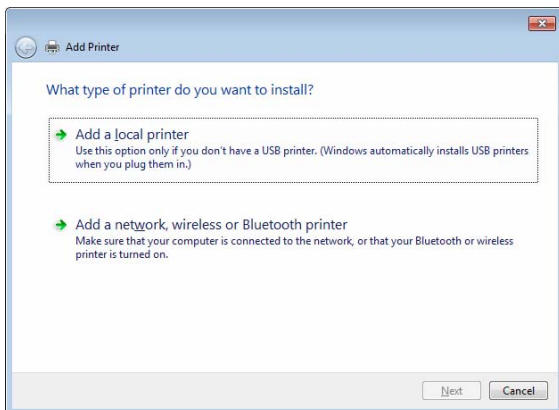


- 7 Windows® 8 / Windows® 7 / Windows Vista®:
Click **[Add a local printer]**.

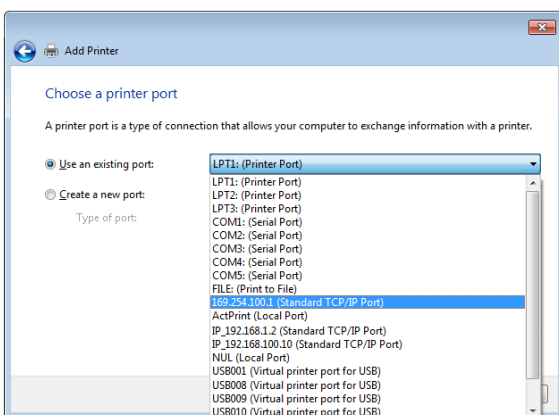
! Be sure to select **[Add a local printer]**.

Windows® XP:
The **[Add Printer Wizard]** window appears.
Click **[Next]**.
Clear the **[Automatically detect and install my Plug and Play printer]** check box.
Select **[Local printer attached to this computer]**, and then click **[Next]**.

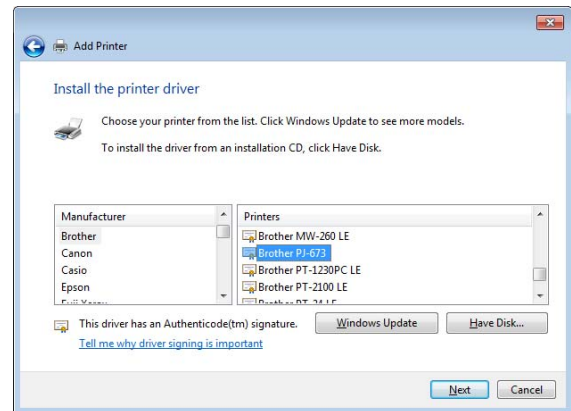
! Be sure to select **[Add a local printer]**.



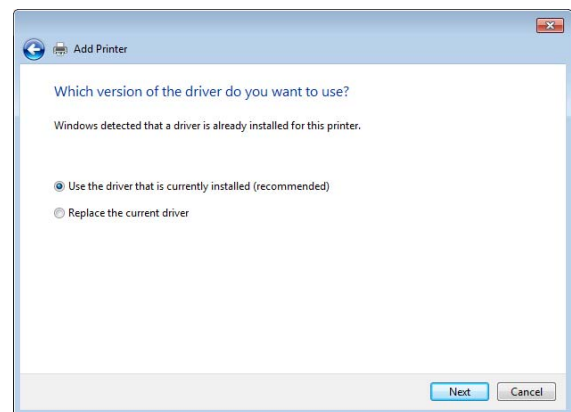
- 8 Select the created TCP/IP port, and then click **[Next]**.



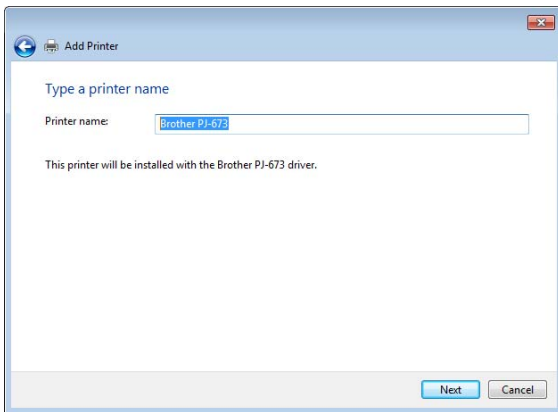
- 9 Select **[Brother PJ-673]**, and then click **[Next]**.



- 10 Windows® 8 / Windows® 7 / Windows Vista®:
When the following screen appears, select **[Use the driver that is currently installed (recommended)]**, and then click **[Next]**.
Windows® XP:
Select **[Keep existing driver (recommended)]**, and then click **[Next]**.



- 11 Windows® 8 / Windows® 7:
Click **[Next]**.
Windows Vista® / Windows® XP:
Click **[Next]**.
When the completion screen for the **[Add Printer Wizard]** appears, click **[Finish]** to close the screen.




NOTE

Then, follow the on-screen instructions to finish adding the printer. If a screen for selecting printer sharing appears, select “No share”.

- 12 Use any application to check that printing can be performed with this printer.

■ If printing does not work

If the printer is turned off, the wireless LAN connection will be ended. Even if the printer is turned on, printing will not be possible until the connection is re-established.

Turn on the printer, hold down the  (Power) button for at least 3 seconds to enter wireless LAN mode, and then re-establish the connection after setting up the computer running Windows® (page 17 or page 23).

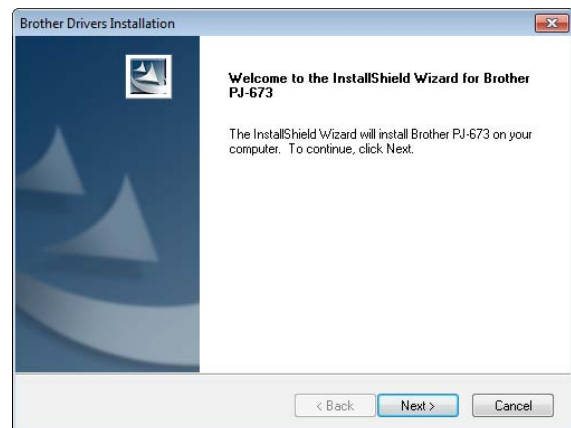
Setting Up the Printer (With the Default Settings Changed)

NOTE

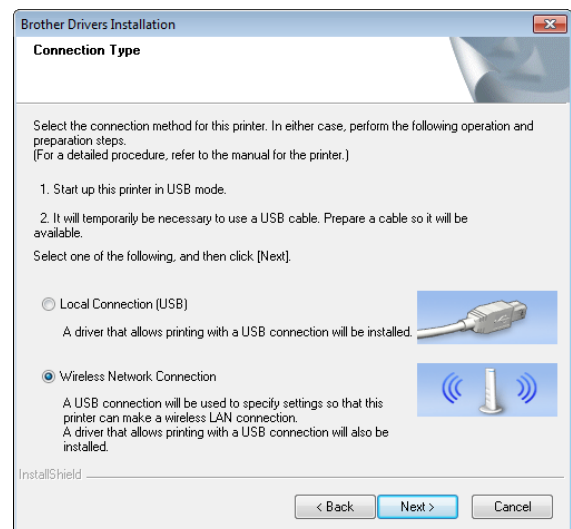
- Since a USB cable is required to change the printer's default settings, prepare one. In the process, the printer driver for a USB connection will be installed on the computer running Windows®.

- In order to use the printer via a wireless LAN connection, settings must be specified on both the printer and the computer running Windows®. The printer settings will be specified with the printer driver; however, the settings on the computer running Windows® must be specified manually. Specify the settings according to the procedures in this manual.

- 1 If you have the included CD-ROM, insert it into your computer's CD-ROM drive, and then click [**Standard Installation**] in the installer screen that appeared. If the Web version was downloaded, double-click the downloaded file. Click [**Next**].



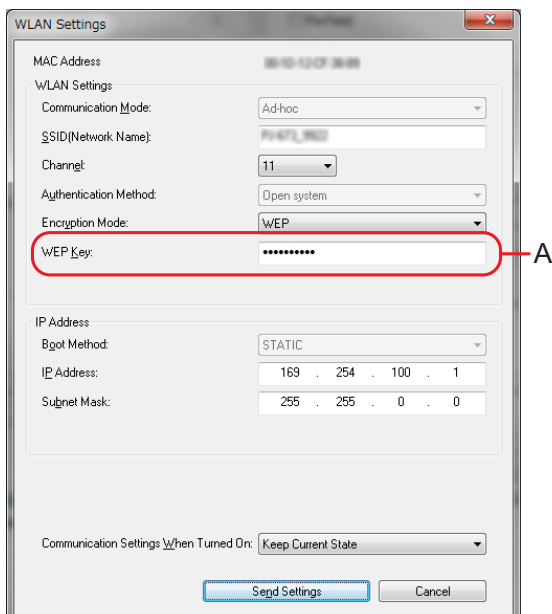
- 2 Select [**Wireless Network Connection**], and then click [**Next**].



- With the USB cable, connect the printer to the computer running Windows®, and then turn on the printer. If the printer is in wireless LAN mode (the WIRELESS LAN indicator is blinking), switch it to USB mode. For details, see *Switching Between Wireless LAN Mode and USB Mode* on page 30. The next screen will automatically appear.



- Type in the new settings, and then click **[Send Settings]**. Make a note of the specified settings.



NOTE

- The WEP key normally appears as shown by A, regardless of the setting retrieved by the printer at startup.

- When changing the WEP key, type in 5 or 13 ASCII characters or 10 or 26 hexadecimal characters. The WLAN settings can later be changed with PJ-673 Utility on a computer running Windows®. For details, see *WLAN Settings* on page 51 in *PJ-673 Utility Menu*.

	[Communication Mode] , [Authentication Method] and [Boot Method] have been set to [Ad-hoc] , [Open system] and [STATIC] , respectively, and cannot be changed.
--	--

SSID	
IP Address	
Subnet Mask	
WEP Key	

- When the USB cable is disconnected, the next screen automatically appears.



- Click **[Close]**. The installation is now complete.

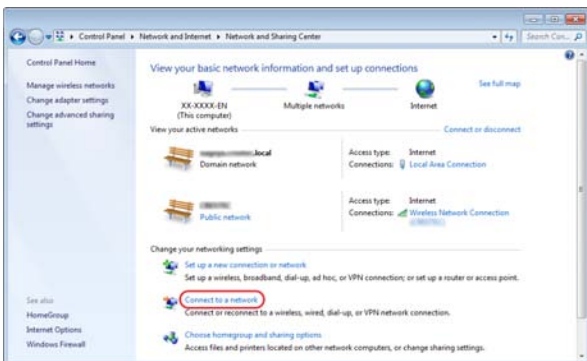
Continue by setting up the computer running Windows® and adding the printer.

Setting Up the Computer Running Windows®

Turn on the printer in wireless LAN mode.

(As examples, screens from Windows® 7 are used in the following procedures.)

- 1** Windows® 8:
Click [**Control Panel**] in [**Apps**] screen - [**Network and Internet**].
Click [**Network and Sharing Center**].
Click [**Connect the Network**].
- Windows® 7:
From the [**Start**] menu, click [**Control Panel**]-[**Network and Internet**].
Click [**Network and Sharing Center**].
Click [**Connect the Network**].
- Windows Vista®:
From the [**Start**] menu, click [**Connect to**].
- Windows® XP:
From the [**Start**] menu, click [**Control Panel**]-[**Network connection**]. Right-click [**Wireless Network Connection**], and then click [**View Available Wireless Networks**].



- 2** To establish a connection, from the list of currently available SSIDs that appears, select the SSID noted in step **4** of *Setting Up the Printer (With the Default Settings Changed)* on page 22.

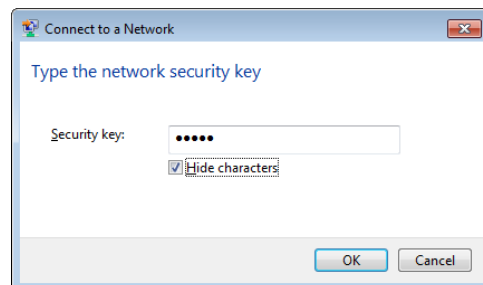


NOTE

If the list does not appear, contact the manufacturer of your wireless LAN card. If you are using a computer with wireless LAN built in, contact the manufacturer of your computer.

- 3** Windows® 8 / Windows® 7:
If [**WEP**] was set as the encryption method in the printer settings, a screen for entering the security key will appear. Type in the WEP key (5 characters or 13 alphanumeric characters) noted in step **4** of *Setting Up the Printer (With the Default Settings Changed)* on page 22, and then click [**OK**].
- Windows Vista®:
When a screen for entering the security key or passphrase appears, type in the WEP key (5 characters or 13 alphanumeric characters) noted in step **4** of *Setting Up the Printer (With the Default Settings Changed)* on page 22, and then click [**Connect**].

Windows® XP:
When a screen for entering the network key appears, type in the WEP key (5 characters or 13 alphanumeric characters) noted in step **4** of *Setting Up the Printer (With the Default Settings Changed)* on page 22, and then click [**Connect**].



NOTE

If [**None**] was set as the encryption method in the printer settings, these steps are unnecessary.

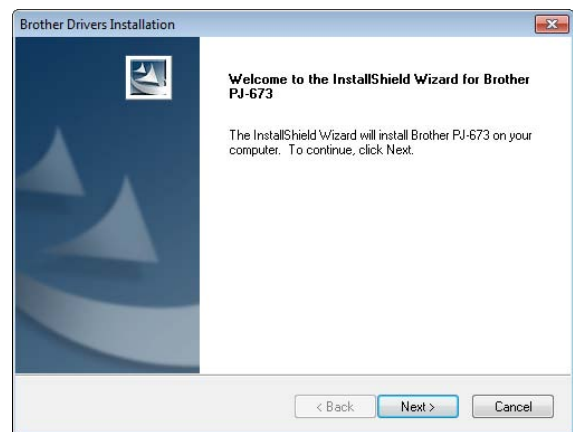
- 4 Windows® 8 / Windows® 7 / Windows® XP:
When the WIRELESS LAN indicator stops blinking and remains lit, the printer connection is complete. Continue with *Adding a Printer* on page 19.
- Windows Vista®:
When [**Connected successfully.**] appears, setup is complete. Click [**Close**].
Continue with *Adding a Printer* on page 19.

Printing From a Computer Running Windows® Via a USB Connection

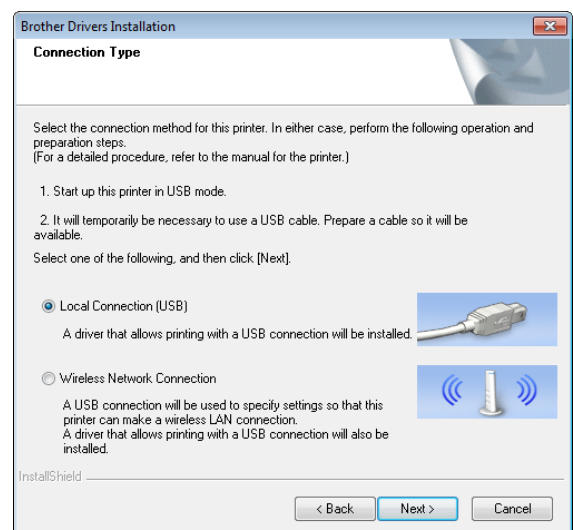
1

Setting Up the Printer

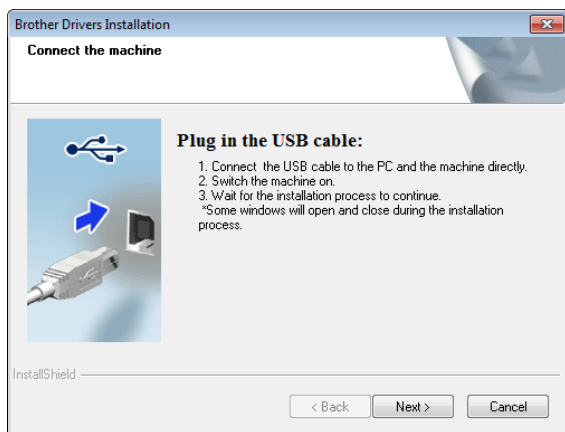
- 1 If you have the included CD-ROM, insert it into your computer's CD-ROM drive, and then click [**Standard Installation**] in the installer screen that appeared. If the Web version was downloaded, double-click the downloaded file. Click [**Next**].



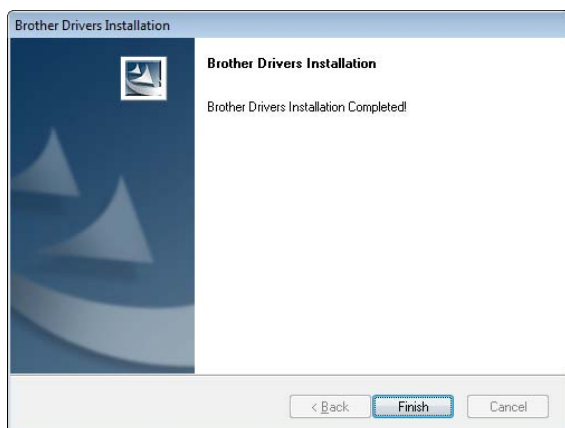
- 2 Select [**Local Connection (USB)**], and then click [**Next**].



- 3 With the USB cable, connect the printer to the computer running Windows®, and then turn on the printer. Check that the printer is in USB mode (page 30), and then click **[Next]**.



- 4 Installation of the driver is now complete.



- 5 Use any application to check that printing can be performed with this printer.

Uninstall the Printer Driver

Perform this procedure only when printing from this printer (PJ-673) is no longer necessary or when re-installing this printer's printer driver.

If the installation was performed via a wireless LAN connection, both **[Brother PJ-673 USB]** and **[Brother PJ-673]** must be uninstalled.

■ Windows® 8 / Windows® 7:

- 1 Turn off the printer.
- 2 For Windows® 8 users: click **[Control Panel]** in **[Apps]** screen - **[Hardware and Sound]** - **[Devices and Printers]**.
For Windows® 7: From the **[Start]** menu, click - **[Devices and Printers]**.
- 3 Choose **[Brother PJ-673]** or **[Brother PJ-673 USB]**, and click **[Remove device]** or right click on the icon, and then click **[Remove device]**.
If a User Account Control message displayed, type in the password, and then click **[Yes]**.
- 4 Choose **[Fax]** or **[Microsoft XPS Document Writer]** in the **[Devices and Printers]** window, and then click **[Print server properties]**, which appeared in the menu bar.
- 5 Click the **[Drivers]** tab, and then click **[Change Driver Settings]**. If a User Account Control message displayed, type in the password, and then click **[Yes]**. Choose **[Brother PJ-673]** or **[Brother PJ-673 USB]**, and then click **[Remove...]**.
- 6 Choose **[Remove driver and driver package]**, and then click **[OK]**. Follow the on-screen instructions.

- 7 Close the [**Print Server Properties**] window. The printer driver has been uninstalled.

■ Windows Vista®

- 1 Turn off the printer.
- 2 Start button - [**Control Panel**] - [**Hardware and Sound**] - [**Printers**].
- 3 [**Brother PJ-673**] or [**Brother PJ-673 USB**], and click [**Delete this printer**] or right click on the icon, and then click [**Delete**].
- 4 In the [**Printers**] window, right click and select [**Run as administrator**] - [**Server Properties...**].
If the authorization confirmation dialog displayed, click [**Continue**].
If the [**User Account Control**] dialog displayed, enter the password and click [**OK**]. The [**Print Server Properties**] window displayed.
- 5 Click the [**Drivers**] tab and choose [**Brother PJ-673**] or [**Brother PJ-673 USB**]. Then, click [**Remove...**].
- 6 Choose [**Remove driver and driver package**] and click [**OK**]. Follow the on-screen instructions.
- 7 Close the [**Print Server Properties**] window. The printer driver has been uninstalled.

■ Windows® XP

- 1 Turn off the printer.
- 2 [**Start**] - [**Control Panel**] - [**Printers and Other Hardware**] - [**Printers and Faxes**].
- 3 Choose [**Brother PJ-673**] or [**Brother PJ-673 USB**], and click [**File**] - [**Delete**] or right click on the icon and then click [**Delete**].
- 4 Go to [**File**] - [**Server Properties**]. The [**Print Server Properties**] window displayed.
- 5 Click the [**Drivers**] tab and choose [**Brother PJ-673**] or [**Brother PJ-673 USB**]. Then, click [**Remove**].
- 6 Close the [**Print Server Properties**] window. The printer driver has been uninstalled.



NOTE

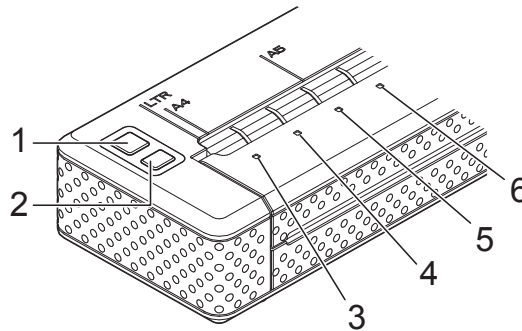
- The first time, the installer for this printer installs the printer driver and PJ-673 Utility at the same time.
- PJ-673 Utility will not be uninstalled when the printer driver is uninstalled. Uninstall each separately.



2

Using the Printer

Operation Panel






The operation panel consists of the  (Power) button,  (Feed) button and the indicators.



- 1  (Power) button
- 2  (Feed) button
- 3 POWER indicator

- 4 DATA indicator
- 5 STATUS indicator
- 6 WIRELESS LAN indicator

Power Button and Feed Button Functions

 (Power) button function	Operation
Turn the printer on	While the printer is turned off, press and hold the  (Power) button for about one second until the POWER indicator turns on.
Turn the printer off	Press the  (Power) button quickly two times. (If the Auto-Off feature is enabled in PJ-673 Utility, the printer will turn itself off automatically after the selected period of inactivity.)
Charge the rechargeable Ni-MH battery	<p>While the printer is turned off, press and hold the  (Power) button for two or more seconds until the POWER indicator begins to blink in green. The POWER indicator continues to blink until charging is complete. For details on charging the rechargeable Ni-MH battery, see <i>Charging the Rechargeable Ni-MH Battery</i> on page 4.</p> <p>Depending on the settings specified in PJ-673 Utility, charging of the rechargeable Ni-MH battery may begin after the battery is refreshed. (See <i>Refresh Ni-MH Battery</i> on page 46.)</p> <p>When the POWER indicator is blinking in green and orange, the power remaining in the rechargeable battery is being discharged and the battery is being refreshed. For details, see <i>Explaining Battery Terms</i> on page 5.</p>
Skip rechargeable Ni-MH battery refresh, begin charging	While the rechargeable Ni-MH battery is being refreshed, press and hold the  (Power) button to stop refreshing the battery and begin charging it.

⏻ (Power) button function	Operation
Turn the printer off while charging the rechargeable Ni-MH battery	Press the ⏻ (Power) button quickly two times.

NOTE

Rechargeable Li-ion battery is not controlled by these functions.

⏴ (Feed) button function	Operation
Eject the paper manually (manual form feed)	<p>Make sure that the printer is turned on and that there is paper loaded, and then press the ⏴ (Feed) button. Paper is slowly ejected as long as the button is held down.</p> <p>If you continue to hold down the ⏴ (Feed) button after about 1/2 inch (12.7 mm) of paper has been ejected, about one page length of paper is ejected at high speed. The amount of paper ejected is determined by the [Form Feed Mode] setting (see <i>Page Feed Mode</i> on page 35 or 48).</p> <p>In order to assure that printing is complete before permitting a form feed, manual form feeds cannot be performed for five seconds after the printer has received any data.</p>
Print the printer settings	<ol style="list-style-type: none"> 1 Make sure that the printer is turned on and that no paper is loaded. 2 Hold down the ⏴ (Feed) button for at least 2 seconds. 3 After the DATA indicator lights in red, load paper to print the printer settings.
Set the printer to maintenance mode	<p>Maintenance mode is used when printing the printer settings (described above) and when cleaning the platen roller (page 53).</p> <p>Make sure that the printer is turned on and that there is no paper loaded, and then press and hold the ⏴ (Feed) button for two or more seconds until the DATA indicator turns red.</p> <p>To return to the previous mode, quickly press the ⏻ (Power) button twice to turn off the printer.</p>



Indicators



The indicators light and flash to indicate the printer's status. Each indicator may light or blink in green, red, orange, or blue. For details, see *Indicators* on page 55.

Switching Between Wireless LAN Mode and USB Mode

Following the procedure below to switch the connection interface between wireless LAN and USB.

- 1 Turn on the printer, and then hold down the  (Power) button for at least 3 seconds.
- 2 Check that the WIRELESS LAN indicator switches either from lit to blinking or from blinking to lit, and then release the  (Power) button.

NOTE



- If the printer cannot be switched to wireless LAN mode or USB mode after holding down the button for at least 3 seconds, wait a while, and then try again.
 - Default, the printer is in USB mode.
 - If the printer was started up in wireless LAN mode, it will take a maximum of about 15 seconds for wireless LAN to become functional after the printer is turned on.
 - If the printer was switched to wireless LAN mode while it is starting up in USB mode, it will take a maximum of about 15 seconds for wireless LAN to become functional.
 - As with turning on the printer in wireless LAN mode, it will take a maximum of about 15 seconds to become functional, even if the printer was started up in USB mode, then immediately switched to wireless LAN mode.
-

Connecting the iOS Device to a Separate Wireless Network Than the One Connected to the Printer

NOTE

- While connected to this printer in ad-hoc mode, the device cannot connect to the Internet.
- When an iOS device in ad-hoc mode enters sleep mode, the connection between the printer and iOS device will be lost.
- Follow the procedure below to manually return the ad-hoc wireless connection setting to the infrastructure mode.

Changing the iOS Device's Settings

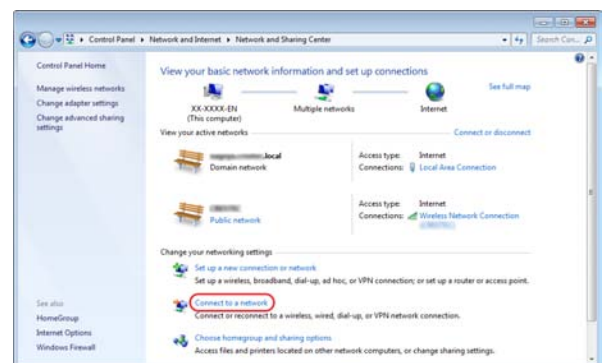
- 1 Start **Settings**  on the iOS device.
- 2 Select .
- 3 A list of Wi-Fi networks (SSID) that can be joined appears. Select the SSID normally used for the network connection (infrastructure mode).



Connecting a Windows® Computer to a Separate Wireless Network Than the One Connected to the Printer

(As examples, screens from Windows® 7 are used in the following procedures.)

- 1 Windows® 8:
Click [**Control Panel**] in [**Apps**] screen - [**Network and Internet**].
Click [**Network and Sharing Center**].
Click [**Connect the Network**].
Windows® 7:
From the [**Start**] menu, click [**Control Panel**]-[**Network and Internet**].
Click [**Network and Sharing Center**].
Click [**Connect the Network**].
Windows Vista®:
From the [**Start**] menu, click [**Connect to**].
Windows® XP:
From the [**Start**] menu, click [**Control Panel**]-[**Network connection**].
Right-click [**Wireless Network Connection**], and then click [**View Available Wireless Networks**].



- 2 To establish a connection, from the list of currently available SSIDs that appears, select the usual SSID for the network connection (infrastructure mode).



NOTE

If the list does not appear, contact the manufacturer of your wireless LAN card. If you are using a computer with wireless LAN built in, contact the manufacturer of your computer.

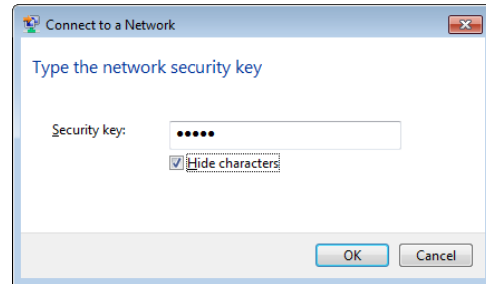
If the usual network (SSID) does not appear in the list, contact your network administrator or the provider of your wireless LAN service.

- 3 Windows® 8 / Windows® 7:
To re-establish the connection, type in the security key according to the security settings specified for the wireless LAN network that is normally used.
With a WEP connection, the WEP key is the security key.
- Windows Vista®:
To re-establish the connection, type in the security key or passphrase according to the security settings specified for the wireless LAN network that is normally used. With a WEP connection, the WEP key is the security key or passphrase.

Windows® XP:

To re-establish the connection, type in the network key according to the security settings specified for the wireless LAN network that is normally used.

With a WEP connection, the WEP key is the network key.



Printing Solutions

Your printer can be used with several versions of Windows® and iOS.

When printing from a computer running Windows®, the printer driver for this printer is required.

When printing from an iOS device, printing software created by a software developer will be needed in addition to the product and services that we provide. (We provide an SDK that can be used.) Consult with a software developer about printing software for the iOS device.

Updating the Software

We recommend that you visit the web site to make sure that you have the latest version of the drivers.


The latest versions can be downloaded from the Brother Solutions Center website (<http://solutions.brother.com/>). We recommend that you visit the website to make sure that you have the latest version of the drivers.

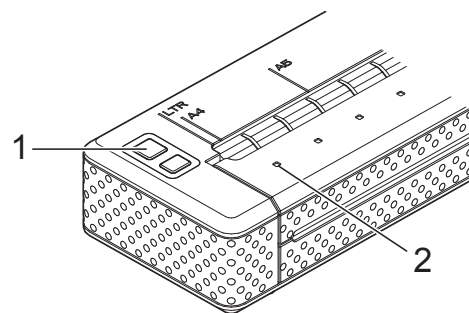
A software development kit (SDK) is available.


Visit the Brother Developer Center (<http://www.brother.com/product/dev/index.htm>).

Printing

For typical printing, use the following procedure.

- 1 Open the document on the computer to be printed.
- 2 Make sure that the printer is properly powered. Use a charged battery, or connect the printer to an AC or DC power outlet.
- 3 Turn the printer on by pressing the  (Power) button. The POWER indicator lights.

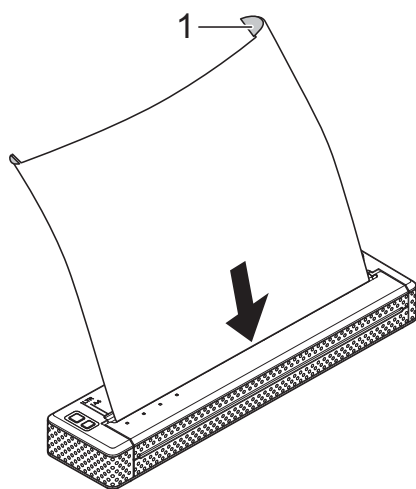


- 1  (Power) button
- 2 POWER indicator

- 4 Connect the printer to a computer, using either USB or Wireless LAN. For details, see *Connecting the Printer and iOS Device* on page 11 or *Connecting the Printer and a Windows® Computer* on page 15.
- 5 Load the paper. Use both hands to hold the paper straight, and then gently insert the paper into the printer's input slot until the roller pulls it into the starting position. Use genuine Brother paper.

NOTE


- Make sure that the bottom edge of the paper is parallel with the roller.
- Only one side of the paper can be printed on. Check the paper, and load it so that the smooth, coated side faces down (see *Tips on Using Paper* on page 39).

**1 Print surface**

- 6 If necessary, change the print settings using either the printer driver (see *Setting Printer Driver Options* on page 35) or PJ-673 Utility (see *Brother PJ-673 Utility* on page 40).
- 7 Print from each application.

The DATA indicator blinks in green to indicate that the printer is receiving data, and the document is printed.

NOTE

- If paper is loaded and the DATA indicator remains green without blinking, the printer has not received enough data to print an entire page. Press and hold the  (Feed) button to print and eject the page.
- The paper can be loaded after the print job has been sent. If the paper is skewed after the printer pulls it into the starting position, open the release cover completely, remove the paper, and then close the cover and load the paper again (see *Clearing a Paper Jam* on page 39).

Making Prints Lighter or Darker

You can make prints lighter or darker by adjusting the print density setting in the printer driver's dialog box (see *Setting Printer Driver Options* on page 35) or PJ-673 Utility (see *Print Density* on page 48).

When using the battery, changing the print density setting may result in slight changes in printing speed and the number of pages that can be printed on a single charge.

Setting Printer Driver Options

When printing from a computer program, various printing options can be selected using the printer driver.

Paper Type

Available settings: [Cut Sheet], [Roll], [Perforated Roll], [Perforated Roll Retract]

Default setting: [Cut Sheet]

Set this option to match the type of paper that is loaded.

Density

Available settings: [0] - [10], [Printer Setting]¹

Default setting: [6]¹

This option controls the print density, which affects the darkness of the printed document. A lower value produces lighter print; a higher value produces darker print.

¹ [Printer Setting] is the default setting ([6]) or the setting specified in the Brother PJ-673 Utility.

Darker print uses more battery power, but may be easier to read if the font or the document contains many narrow lines. If battery life is important, select a lower value.

2-ply Mode

Available settings: [Thermal Paper], [Thermal Copy Paper]

Default setting: [Thermal Paper]

This option is used when 2-ply paper is loaded. When [Thermal Copy Paper] is selected, the printer produces prints that are darker (and print slower) than when [Density] is set to 10.

Page Feed Mode

Available settings: [No Feed], [Fixed Page], [End of Page], [End of Page Retract]

Default setting: [Fixed Page]

This option determines how paper is ejected; and controls how the printer responds to form feed commands.

- **No Feed** - Paper is not fed at the end of a job. Because additional paper is not ejected when at the end of the document, this setting is useful when using non-perforated roll paper.
- **Fixed Page** - Paper is fed at the end of a job to suit the vertical length of the selected page size (i.e., letter, legal, A4, or user-defined size). Select this setting when using cut sheet paper.
- **End of Page** - Paper is fed until the printer detects that no paper remains in the input slot, or until 14" (355.6 mm) of paper has been fed. Select this setting when using perforated paper.
- **End of Page Retract** - Paper is fed until the paper sensor detects a pre-printed end-of-page mark on the paper or the end of the sheet. When this setting is selected, set [Paper Type] to [Perforated Roll Retract].

No Feed Mode Extra Feed

Available settings: **[None]**, **[1/2 inch (12.7 mm)]**, **[1 inch (25.4 mm)]**, **[1-1/2 inches (38.1 mm)]**, **[2 inches (50.8 mm)]**

Default setting: **[1 inch (25.4 mm)]**

This option is used when **[Page Feed Mode]** is set to **[No Feed]**. Paper is ejected after the last page of the document according to the setting.

NOTE

This option only affects the last page of a document. The bottom margin specified by the computer program has no effect, and the top margin determines the total top and bottom margin between pages of a multi-page document.

Roll Paper Pause

Available settings: **[Disable]**, **[Enable]**

Default setting: **[Disable]**

This option is used to display a confirmation message for each page when printing on roll paper.

Dash Line Print

Available settings: **[Disable]**, **[Enable]**

Default setting: **[Disable]**

This option is used to print perforation lines between pages, useful when printing on roll paper. When **[Enable]** is selected, set **[Page Feed Mode]** to **[Fixed Page]**. Note that perforation lines are printed on the paper; they are not punched into the paper.

Automatically Switch Command Mode

Available settings: **[Disable]**, **[Enable]**

Default setting: **[Enable]**

Select whether or not the mode switching command is automatically sent when the commands are switched while using the printer.

Feed Position for Custom Paper

Available settings: **[Center]**, **[Left]**

Default setting: **[Center]**

Select the paper feed position for printing on custom paper.

Setting Paper Size

To use a pre-defined paper size (letter, legal, A4, etc.), select the desired paper size in the page Setup dialog box.

If the desired paper size has not been defined, use the following procedure to add and configure the desired paper size.

■ Windows® 8 / Windows® 7

- 1 For Windows® 8 users: click **[Control Panel]** in **[Apps]** screen - **[Hardware and Sound]** - **[Devices and Printers]**.
For Windows® 7 users: click **[Start]** - **[Devices and Printers]**.
- 2 Select **[Brother PJ-673]**, and then click **[Print server properties]**.
- 3 Click the **[Forms]** tab, and then click **[Change Form Settings]**. If the **[User Account Control]** dialog box is displayed, enter the password and click **[Yes]**.
- 4 Configure the desired paper size, etc., and add the paper size.

■ Windows Vista®

- 1 Open **[Control Panel]** - **[Hardware and Sound]** - **[Printers]**.
- 2 Make sure no items are selected, and then right-click in the **[Printers]** window and select **[Run as administrator]** - **[Server Properties...]**. If the authorization confirmation dialog box is displayed, click **[Continue]**. If the **[User Account Control]** dialog box is displayed, enter the password and click **[OK]**.
- 3 Click the **[Forms]** tab, configure the desired paper size, etc., and then add the paper size.

■ Windows® XP

- 1 Open **[Control Panel]** - **[Printers and Other Hardware]** - **[Printers and Faxes]**.
- 2 Make sure no items are selected, and then right-click in the **[Printers and Faxes]** window and select **[Server Properties]**. The **[Server Properties]** window is displayed.
- 3 Click the **[Forms]** tab, configure the desired paper size, etc., and then add the paper size.

NOTE

If a paper size is specified with the same size as a pre-defined one (Letter, Legal, A4, etc.), the standard settings will be given priority and the new paper size cannot be used.

Selecting Paper Type

Paper type can be set to **[Cut Sheet]**, **[Roll]**, **[Perforated Roll]** or **[Perforated Roll Retract]**.

Cut Sheet Paper

When using cut sheet paper, configure the printer driver as described below.

- 1 Select the appropriate paper size (Letter, A4, or Legal).
- 2 Set **[Paper Type]** to **[Cut Sheet]**.
- 3 Set **[Page Feed Mode]** to **[Fixed Page]**.

Non-Perforated Roll Paper

When using non-perforated roll paper, configure the printer driver as described below, depending on the desired length of each page.

Variable-Length Pages (Saves Paper)

In this case, the paper size that is selected determines the maximum number of lines per page.

- 1 Select the appropriate paper size. Letter, A4, or Legal
- 2 Set **[Paper Type]** to **[Roll]**.
- 3 Set **[Page Feed Mode]** to **[No Feed]**.
- 4 Set **[No Feed Mode Extra Feed]** to the desired setting. Paper is ejected after the last page of the document according to the settings.

NOTE

When using roll paper, the end of printing will be slightly fed out to adjust for the roller, even if **[Page Feed Mode]** is set to **[No Feed]** and **[No Feed Mode Extra Feed]** is set to **[None]**.

Infinite Length Pages (Such as for Geological Recordings or Polygraph Charts)

- 1 Set the paper size to **[Infinite]**.
- 2 Set **[Paper Type]** to **[Roll]**.
- 3 Set **[Page Feed Mode]** to **[No Feed]**.
- 4 Set the desired setting to **[No Feed Mode Extra Feed]**. Paper is ejected after the last page of the document according to the setting.
- 5 Confirm that the top and bottom margins specified within the computer program are set to zero (0).

Perforated Roll Paper

When using perforated roll paper, configure the printer driver as described below.

- 1 Select the appropriate paper size. Letter, A4, or Legal
- 2 Set **[Paper Type]** to **[Perforated Roll]** or **[Perforated Roll Retract]**.
- 3 Set **[Page Feed Mode]** to **[End of Page]** or **[End of Page Retract]**.
When **[Perforated Roll]** is selected, paper is not fed between pages, and the printable area for any paper size (including custom sizes) is reduced. When **[Perforated Roll Retract]** is selected, paper is fed between pages, and the printable area is the same as when using cut sheet paper.

Tips on Using Paper

Using Genuine Brother Thermal Paper

Thermal paper eliminates the need for toner, ribbon or ink. Genuine Brother thermal paper is fully compatible with this printer and the PocketJet printer series. We recommend using genuine Brother thermal paper. Using non-genuine paper may adversely affect the printer, such as reducing the print quality or damaging the printer. The warranty does not cover damage resulting from the use of non-genuine parts, even if it occurs within the warranty period or during the period of a service agreement. (This does not imply that all non-genuine parts will cause a malfunction.)

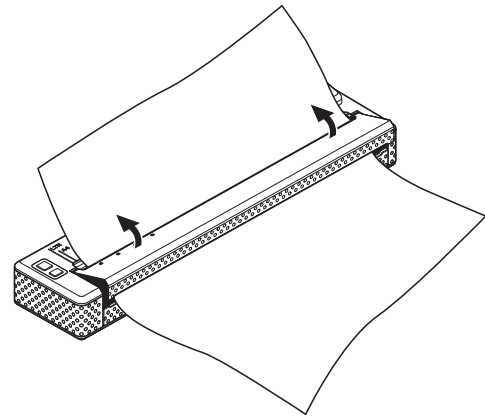
Usage and Handling Instructions

- Only one side of the paper can be printed on. When loading paper, make sure that the smooth, coated side faces the back of the printer.
- To avoid wrinkling and tearing, keep paper in its box or bag until ready to use.
- Do not fold, crease, or wrinkle paper prior to loading it.
- When storing paper, avoid high temperatures and humidity.
- Avoid prolonged exposure to intense ultraviolet light.
- Avoid contact with Diazo (blueprint), carbon-less, or cast-coated papers.
- Avoid contact with vinyl or acetate materials, such as many notebook or report covers.
- Avoid contact with organic solvents, oils, and ammonia.
- When using a colored marker, be sure to use one with a water-based ink. If you use a solvent-based marker, it may darken the paper.

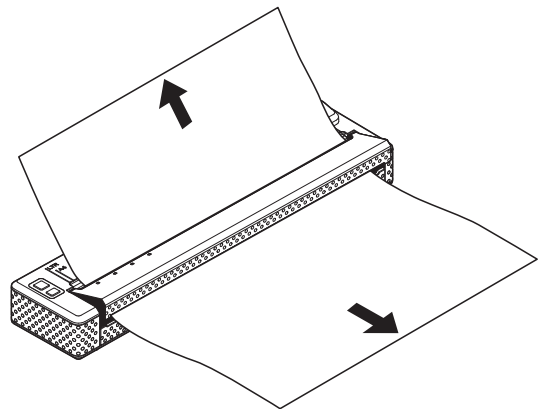
Clearing a Paper Jam

If paper becomes jammed, remove the paper according to the following procedure.

- 1 Gently open the release cover completely.



- 2 Gently pull the paper out of the printer in either direction.



- 3 Close the release cover.
- 4 Insert a new sheet of paper and print again.

Cutting Roll Paper

Roll paper can be cut using the printer's tear bar. Pull one edge of the ejected paper up and toward the other edge diagonally.



The tear bar is sharp. To avoid injury, do not touch the tear bar.

3

Brother PJ-673 Utility

Overview

Brother PJ-673 Utility (hereafter referred to as “PJ-673 Utility”) is computer program that allows you to change the printer's default settings.



Use PJ-673 Utility to configure the printer only when the printer is idle. The printer may malfunction if you attempt to configure it while it is handling a job.

Installing Brother PJ-673 Utility

If Brother PJ-673 Utility has not been installed, follow the procedure below to install it.

- 1 Download the software from the CD-ROM if it is included or from the Brother Solutions Center website (<http://solutions.brother.com/>) if the CD-ROM is not included.
- 2 Refer to *Printing From a Computer Running Windows® Via a USB Connection* on page 25 to install the PJ-673 printer driver.
The Brother PJ-673 Utility will be installed together with the printer driver.

Uninstalling PJ-673 Utility

Perform this procedure only when printing from this printer (PJ-673) is no longer necessary or when re-installing this printer's printer driver.

NOTE

When the printer driver is uninstalled, PJ-673 Utility can no longer be used.

- 1 Windows® 8:
Click **[Control Panel]** in **[Apps]** screen - **[Programs]** - **[Programs and Features]**. The **[Uninstall or change a program]** window appears.
Windows® 7 / Windows Vista®:
[Start] - **[Control Panel]** - **[Programs]** - **[Programs and Features]**.
The **[Uninstall or change a program]** window appears.
Windows® XP:
[Start] - **[Control Panel]** - **[Add or Remove Programs]**. The **[Add or Remove Programs]** window appears.
- 2 Windows® 8 / Windows® 7 / Windows Vista®:
Select **[Brother PJ-673 Utility]**, and then click **[Uninstall]**.
Windows® XP:
Select **[Brother PJ-673 Utility]**, and then click **[Remove]**.
- 3 Click **[Yes]** or **[Allow]**. When the **[User Account Control]** dialog box appears, click **[Allow]**. If a password is requested, type in the password, and then click **[Yes]**. The uninstall operation begins.

- 4 Close the **[Programs and Features]** window (Windows® 8 / Windows® 7 / Windows Vista®) / **[Add or Remove Programs]** window (Windows® XP). PJ-673 Utility has been uninstalled.

NOTE

The printer driver will not be uninstalled when PJ-673 Utility is uninstalled. Uninstall each separately.

Using PJ-673 Utility

Before Using PJ-673 Series Utility



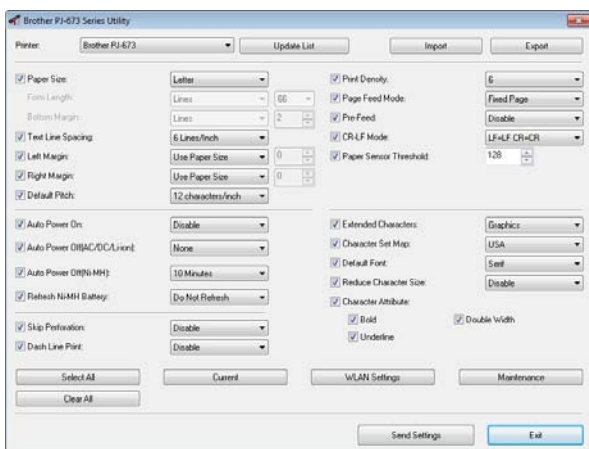
- With the AC adapter, connect the printer to an AC power outlet.
- Make sure that the printer driver has been installed and is functional.
- With the USB cable, connect the printer to the computer running Windows®, turn on the printer, and then enter USB mode.

Starting PJ-673 Utility



- In order to transfer utility settings to the printer, a computer running Windows® and a USB cable are required.
- PJ-673 Utility can only be used via a USB connection. It cannot be used via a wireless LAN connection.

To start PJ-673 Utility, click **[Start] - [All Programs] - [Brother PocketJet] - [Brother PJ-673 Utility]**.



How to Use PJ-673 Utility

- 1 In the main window of the PJ-673 Utility, select the check boxes of the parameters with settings that can be changed.
- 2 Select the desired settings from the drop-down menus or enter the desired values.
- 3 Click **[Send Settings]** to save the settings in the printer.

NOTE

Some parameters can be adjusted using both the printer driver's dialog box and PJ-673 Utility. For the following parameters, the setting specified in the printer driver's dialog box has priority.

[Paper Size]
[Density] ([Print Density])
[Page Feed Mode]
[Dash Line Print]

Settings that are specified using the printer driver are used during printing and are saved until the printer is turned off.

When the printer is turned on again, the settings specified using PJ-673 Utility are used as the default settings.

Parameters

NOTE

- Most users will not need to change these settings of PJ-673 Utility; generally they are relevant only when printing simple text data from a computer that does not have this printer's driver installed.
- The parameters which are common to all operating systems include Auto Power On, Auto Power Off and Pre-feed.

Changing Parameter Settings



1 Printer

Displays a list of the compatible printers that are connected to the computer. When using PJ-673 Utility to change printer settings, the settings of the printer selected in this list will be changed.

NOTE

Only printers for the USB ports appear in the Printer list. Printers for network ports will not be listed.

2 Update List

Refreshes the printer list. If a printer is connected to the computer or is turned on while PJ-673 Utility is running, click this button to refresh the list and select the desired printer. The added printer appears beside **[Printer]** and can be selected.

3 Import

Loads a configuration file created with PJ-673 Utility that was saved previously using the export feature.

NOTE

If the Import command is used to load a configuration file saved using the Export command, the settings selected when the file was saved will appear in the window.

4 Export

Saves the current settings as a configuration file.

NOTE

Wireless LAN settings specified with **[WLAN Settings]**, such as **[SSID(Network Name)]** and **[WEP Key]**, will not be saved in the configuration file.

Defining Paper Size

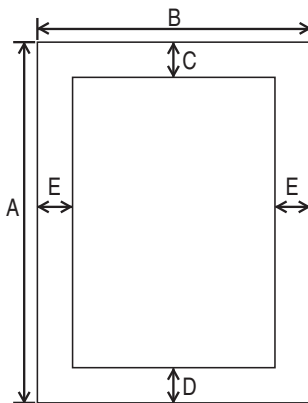
1	<input checked="" type="checkbox"/> Paper Size:	Letter
2	Form Length:	Lines 66
3	Bottom Margin:	Lines 2
4	<input checked="" type="checkbox"/> Text Line Spacing:	6 Lines/Inch
5	<input checked="" type="checkbox"/> Left Margin:	Use Paper Size 0
6	<input checked="" type="checkbox"/> Right Margin:	Use Paper Size 0
7	<input checked="" type="checkbox"/> Default Pitch:	12 characters/inch

1 Paper Size

Available settings: **[Letter]**, **[A4]**, **[Legal]**, **[Custom]**

Default setting: **[Letter]**

This parameter determines the default paper size. For standard paper sizes, this parameter also determines the default margins and the length for each printed page, as shown below.



(All measurements are in inches (mm))

Paper Size	A	B	C	D	E
Letter	11 (279)	8-1/2 (216)	0.10 (2.5)	0.23 (5.8)	0.17 (4.3)
A4	11.69 (297)	8.27 (210)	0.10 (2.5)	0.59 (15)	0.13 (3.3)
Legal	14 (356)	8-1/2 (216)	0.10 (2.5)	0.23 (5.8)	0.17 (4.3)

When **[Custom]** is selected, the following parameters determine the page specifications.

[Form Length]
[Bottom Margin]
[Left Margin]
[Right Margin]

NOTE

If this parameter is changed in the printer driver's dialog box, that setting has priority.

2 Form Length

The available settings differ depending on the selected **[Text Line Spacing]** settings.

Text Line Spacing	Lines	Inches
[6 Lines/Inch]	6-127	1.00-21.16
[8 Lines/Inch (0.125")] or [8 Lines/Inch (0.12")]	8-127	1.00-15.87

Default setting: **[Lines]** (6)

This parameter can be set only when **[Paper Size]** is set to **[Custom]**.

Form length is determined by specifying the number of lines per page, or the length in inches of each page.

- **Lines** - Form length (i.e. the height of the page) is determined by the number of text lines per page (specified here), and the height of each line (specified for **[Text Line Spacing]**).

- **Inches** - Form length is specified in inches.

If you switch between **[Lines]** and **[Inches]**, PJ-673 Utility automatically recalculates the settings.

3 Bottom Margin

The available settings differ depending on the selected **[Text Line Spacing]** setting.

Text Line Spacing	Lines
[6 Lines/Inch]	3-126
[8 Lines/Inch (0.125")] or [8 Lines/Inch (0.12")]	4-126

Default setting: **[Lines]** (3)

The setting specified for this parameter takes effect only when **[Paper Size]** is set to **[Custom]**.

The height of the bottom margin is expressed in lines of text. For example, if **[Bottom Margin]** is set to 6 lines, and if **[Text Line Spacing]** is set to 6 lines per inch, the actual height of the bottom margin is 1 inch (25.4 mm).

Note that the minimum height of the bottom margin must be at least 0.5 inches (12.7 mm). For example, if **[Text Line Spacing]** is set to 6 lines per inch, **[Bottom Margin]** must be set to at least 3 lines.

The maximum setting is the number of lines determined by the **[Form Length]** setting – 1.

4 Text Line Spacing

Available settings: **[6 Lines/Inch]**, **[8 Lines/Inch (0.125")]**, **[8 Lines/Inch (0.12")]**

Default setting: **[6 Lines/Inch]**

This parameter determines the height of each line of text. When **[Extended Characters]** is set to **[Graphics]** in order to print graphic characters, we recommend selecting **[8 Lines/Inch (0.12")]** because graphic characters are 0.12 inches (3.1 mm) tall.

5 Left Margin

Available settings: **[Use Paper Size]**, **[Columns]** (number of columns can be specified)

Default setting: **[Use Paper Size]**

- **Use Paper Size** - The default margins determined by the paper size setting are used, providing for 8 inches (203.2 mm) of available print width.

- **Columns** - The left margin equals the number of columns (specified here) multiplied by the width of the number of columns specified. The width of each column is determined by the **[Default Pitch]** setting. For example, if **[Left Margin]** is set to 12, and **[Default Pitch]** is set to **[12 characters/inch]**, the actual width of the left margin is 1 inch (25.4 mm). Note that if **[Default Pitch]** is set to **[Proportional]**, 10 characters/inch is used for this calculation.

The maximum width of the left margin is 4.5 inches (114.3 mm).

6 Right Margin

Available settings: **[Use Paper Size]**, **[Columns]** (number of columns can be specified)

Default setting: **[Use Paper Size]**

- **Use Paper Size** - The default margins determined by the paper size setting are used, providing for 8 inches (203.2 mm) of available print width.
- **Columns** - The right margin equals the number of columns (specified here) multiplied by the width of the number of columns specified. The width of each column is determined by the **[Default Pitch]** setting. For example, if **[Right Margin]** is set to 12, and **[Default Pitch]** is set to **[12 characters/inch]**, the actual width of the left margin is 1 inch (25.4 mm). Note that if **[Default Pitch]** is set to **[Proportional]**, 10 characters/inch is used for this calculation.

The maximum width of the right margin is a setting that results in 0.2 inches (5.08 mm) of printable page width (the space between the left and right margins).

7 Default Pitch

Available settings: **[10 characters/inch]**, **[12 characters/inch]**, **[15 characters/inch]**, **[Proportional]**

Default setting: **[12 characters/inch]**

This parameter determines character width. When 10, 12, or 15 characters/inch is selected, each character is the same width. For example, the letters "w" and "i" will be the same width. When **[Proportional]** is selected, character width varies by character. For example, the letter "w" will be wider than the letter "i". Note that the setting selected here affects the width of the left and right margins.

Defining Power and Roll Paper Options

1	<input checked="" type="checkbox"/> Auto Power On:	Disable
2	<input checked="" type="checkbox"/> Auto Power Off(AC/DC/Li-ion):	None
3	<input checked="" type="checkbox"/> Auto Power Off(Ni-MH):	10 Minutes
4	<input checked="" type="checkbox"/> Refresh Ni-MH Battery:	Do Not Refresh
5	<input checked="" type="checkbox"/> Skip Perforation:	Disable
6	<input checked="" type="checkbox"/> Dash Line Print:	Disable

1 Auto Power On

Available settings: **[Disable]**, **[Enable]**, **[Enable (No Main Button)]**

Default setting: **[Disable]**

This parameter determines how the printer responds when it is connected to an AC or DC power outlet.

- **Disable** - The printer enters sleep mode, using minimal power. To turn on the printer, press the ⏻ (Power) button.
- **Enable** - The printer turns on automatically. This is useful in situations where the ⏻ (Power) button is difficult to access.
- **Enable (No Main Button)** - The printer turns on automatically. The ⏻ (Power) button cannot be used to turn off the printer. This is useful in situations where the button could be accidentally pressed. To turn off the printer, disconnect the printer from the AC or DC power outlet.

2 Auto Power Off(AC/DC/Li-ion)

Available settings: **[None]**, **[10 Minutes]**, **[20 Minutes]**, **[30 Minutes]**, **[40 Minutes]**, **[50 Minutes]**, **[60 Minutes]**

Default setting: **[None]**

This parameter determines how much time passes before the printer turns off automatically to conserve power when it is being powered by AC power, DC power, or a rechargeable Li-ion battery. If no data is received for the specified amount of time, the printer turns off.

3 Auto Power Off(Ni-MH)

Available settings: **[None]**, **[10 Minutes]**, **[20 Minutes]**, **[30 Minutes]**, **[40 Minutes]**, **[50 Minutes]**, **[60 Minutes]**

Default setting: **[10 Minutes]**

This parameter determines how much time passes before the printer turns off automatically to conserve power when it is being powered by the rechargeable Ni-MH battery. If no data is received for the specified amount of time, the printer turns off.

If the printer is connected to an AC or DC power outlet while a rechargeable Ni-MH battery is installed, the setting selected for **[Auto Power Off(AC/DC/Li-ion)]** has priority over this parameter.

4 Refresh Ni-MH Battery

Available settings: **[Do Not Refresh]**, **[Each Time]**, **[Every 5 Times]**, **[Every 10 Times]**

Default setting: **[Do Not Refresh]**

This parameter determines how frequently the Ni-MH battery is refreshed. For example, if **[Every 5 Times]** is selected, the rechargeable Ni-MH battery is refreshed one time for every five times the battery is charged.

For details on the refresh and charge operations for the rechargeable Ni-MH battery, see *Charging the Rechargeable Ni-MH Battery* on page 4.

5 Skip Perforation

Available settings: **[Disable]**, **[Enable]**

Default setting: **[Disable]**

This parameter is used to leave a one-inch (25.4 mm) margin at the top and bottom of the paper. This is useful when printing on perforated roll paper so that the printer does not print on the perforation.

6 Dash Line Print

Available settings: [**Disable**], [**Enable**]

Default setting: [**Disable**]

This parameter is used to print dash lines between pages, useful when printing on roll paper. Set [**Form Feed Mode**] to [**Fixed Page**], and then select [**Enable**]. Note that dash lines are printed on the paper; they are not punched in the paper.

NOTE

If this parameter is changed in the printer driver's dialog box, that setting has priority.

Defining Print Density and Other Options

1 — Print Density: 6

2 — Page Feed Mode: Fixed Page

3 — Pre-Feed: Disable

4 — CR-LF Mode: LF=LF CR=CR

5 — Paper Sensor Threshold: 128

1 Print Density

Available settings: [0] - [10]

Default setting: [6]

This parameter determines print density, which affects the darkness of the printed document. A lower value produces lighter print; a higher value produces darker print.

Darker print uses more battery power, but may be easier to read if the font or other document content is made up of narrow lines. If battery conservation is important, select a lower value.

NOTE

If this parameter is changed in the printer driver's dialog box, that setting has priority.

2 Form Feed Mode

Available settings: [No Feed], [Fixed Page], [End of Page], [End of Page Retract]

Default setting: [Fixed Page]

This parameter determines how paper is ejected; it determines how the printer responds to form feed commands received from any source.

- **No Feed** - Paper is not fed at the end of a job. Because additional paper is not ejected when at the end of the document, this setting is useful when using non-perforated roll paper.
- **Fixed Page** - Paper is fed at the end of a job to suit the vertical length of the selected page size (i.e., letter, legal, A4, or user-defined size). Select this setting when using cut sheet paper.
- **End of Page** - Paper is fed until the printer detects that no paper remains in the input slot, or until 14" (355.6 mm) of paper has been fed. Select this setting when using perforated paper.

- **End of Page Retract** - Paper is fed until the paper sensor detects a pre-printed end-of-page mark on the paper or the end of the sheet. When this setting is selected, set [Paper Type] to [Perforated Roll Retract].

NOTE

If this parameter is changed in the printer driver's dialog box, that setting has priority.

3 Pre-Feed

Available settings: [Disable], [Enable]

Default setting: [Disable]

If [Enable] is selected, the printer ejects a short length of paper when the printer turns on. When using perforated roll paper or roll paper that is pre-printed, we recommend setting this parameter to [Disable].

4 CR-LF Mode

Available settings: [LF=LF CR=CR], [LF=CR+LF CR=CR+LF]

Default setting: [LF=LF CR=CR]

This parameter determines how the printer responds when LF and CR commands (ASCII characters 10 and 13) are received. By default, the print head advances to the next line for an LF (line feed) command, and the print head returns to the left margin for a CR (carriage return).

When the device sends data to the printer, it may send both an LF and a CR command at the end of a line in order to move the print head to the left margin (via the CR command) of the next line (via the LF command). However, some devices send only one command, and in these cases, the printer must respond as if both commands were sent. If your device sends only LF or CR commands at the ends of lines, select [**LF=CR+LF CR=CR+LF**].

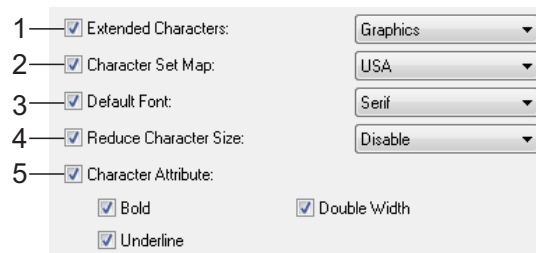
5 Paper Sensor Threshold

Available settings: Setting a number (0 - 255)

Default setting: [**128**]

This parameter determines the threshold of the paper detection sensor.

Defining Internal Font Settings



1 Extended Characters

Available settings: [**Italic**], [**Graphics**]

Default setting: [**Graphics**]

This parameter determines which characters are used when printing ASCII characters 128 to 255. When [**Italic**] is selected, italic versions of ASCII characters 32 to 127 are used. When [**Graphics**] is selected, the characters shown in the table on page 68 are used.

Default Pitch	Reduced Size
10 characters/inch	16.67 characters/inch
12 characters/inch	20 characters/inch
Proportional	Half the character width
15 characters/inch	Does not change

2 Character Set Map

Available settings: [**USA**], [**France**], [**Germany**], [**United Kingdom**], [**Denmark I**], [**Sweden**], [**Italy**], [**Spain I**], [**Japan**], [**Norway**], [**Denmark II**], [**Spain II**], [**Latin America**], [**Korea**], [**Legal**]

Default setting: [**USA**]

This parameter determines which character set is used, allowing you to print special characters appropriate for the language selected. See the table on page 70 for details.

5 Character Attribute

Available settings: [**Bold**], [**Double Width**], [**Underline**]

This parameter determines the attributes used for printed text.

3 Default Font

Available settings: [**Serif**], [**Sans Serif**]

Default setting: [**Serif**]

This parameter determines which built-in font is used. A serif font (similar to Courier) and a Sans Serif font (similar to Letter Gothic) are built-in.

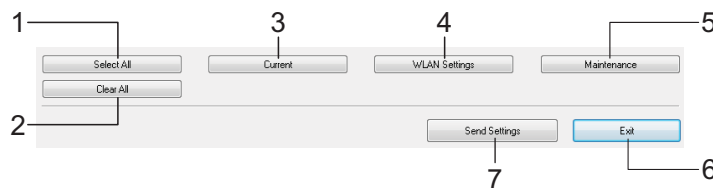
4 Reduce Character Size

Available settings: [**Disable**], [**Enable**]

Default setting: [**Disable**]

This parameter determines whether text is printed at a reduced size. The actual size of the text depends on the setting selected for [**Default Pitch**], as shown below.

PJ-673 Utility Menu



1 Select All

Click **[Select All]** to select all of the check boxes in PJ-673 Utility.

2 Clear All

Click **[Clear All]** to clear all of the check boxes in PJ-673 Utility.

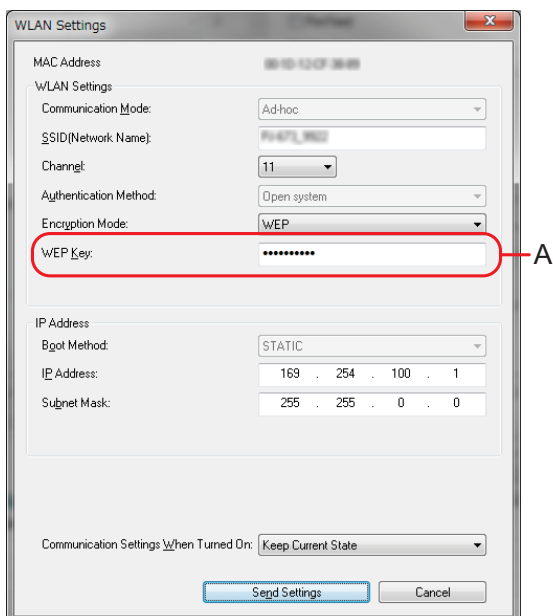
3 Current

Click **[Current]** to retrieve the current settings from the printer selected in the **[Printer]** pull-down menu.

4 WLAN Settings

Click **[WLAN Settings]** to specify the wireless LAN settings.

Clicking **[WLAN Settings]** retrieves the current settings from the connected printer and displays them in the dialog box. If retrieving the current settings failed, the dialog box does not appear.



■ MAC Address

Displays the MAC address of the currently connected printer.

■ Communication Mode

Select the communication mode. **[Ad-hoc]** has already been selected.

■ SSID(Network Name)

The SSID is the name that appears when searching for the access point (network). Between 1 and 32 ASCII characters can be typed in.

■ Channel

Select the channel for transmitting data.

■ Authentication Method

Select the communication mode. **[Open system]** has already been selected.

■ Encryption Mode

Select the encryption method. Two settings (**[None]** and **[WEP]**) are available.

■ WEP Key

This can be typed in if **[Encryption Mode]** is set to **[WEP]**. Either 5 or 13 ASCII characters can be typed in. If hexadecimal characters are being entered, either 10 or 26 characters can be typed in. The default setting is **the last five digits** of the printer's serial number. Depending on your computer, **[Network Key]**, **[Security Key]** or **[Passphrase]** may appear.

NOTE

The WEP key normally appears as shown by A, regardless of the setting retrieved by the printer at startup.

■ IP Address Setting

Select the communication mode. **[STATIC]** has already been selected.

■ IP Address

Type in the IP address.

[169.254.100.1] is specified as the default. Type in four values between [0-255] and separated with [.]. Since each device on a network must have a unique number, do not specify the same number as the computer. Users unfamiliar with network requirements should use the default setting.

■ **Subnet Mask**

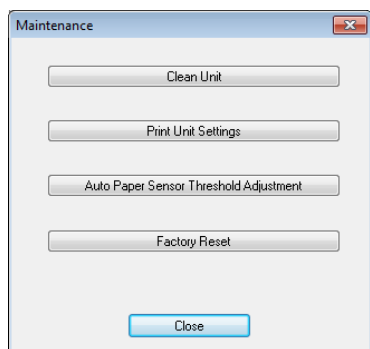
Type in the subnet mask. [255.255.0.0] is specified as the default. Type in four values between [0-255] and separated with [.]. Communication is not possible if the same subnet mask is not specified on both devices. If this setting is changed, change the subnet mask on the computer to the same setting. Since binary number [1] from high-order bits is linked to form a number, the subnet mask is a number with a fixed pattern. Users unfamiliar with network requirements should use the default setting.

■ **Communication Settings When Turned ON**

Select the communication mode when the printer is turned on. Three settings ([**USB by Default**], [**Wireless LAN by Default**] and [**Keep Current State**]) are available. The default setting is [**Keep Current State**].

5 Maintenance

Click [**Maintenance**] to open the maintenance dialog box.



■ **Clean Unit**

See *Cleaning the Platen Roller* on page 53.

■ **Print Unit Settings**

Click [**Print Unit Settings**] to print a report containing firmware version, image quality, and configuration information, as shown below. The wireless settings are printed on this page.

```

-----
Current Settings
PROGRAM VERSION      : PJ-Rate  V0.09
BOOT VERSION         : PJ-Boot  V0.01
FONT1 VERSION        : PJ-Font-F V2.00
FONT2 VERSION        : PJ-Font-P V2.00
EEPROM VERSION       : V1.000
AUTO POWER ON        : Disabled
PAGE LENGTH          : 66
1" PERF SKIP         : Disabled
BUTTON MARGINS LINES : 2
PAGE SIZE            : Letter
LINE FEED PITCH      : 1/8
FONT                 : Mincho
PITCH SELECT         : 12cpl
COMPRESSED MODE PRINT : Disabled
FONT ATTRIBUTE       : Disabled
CHARACTER TABLE     : Extended Graphics
INTERNATIONAL CHAR SET : USA
AUTO LINE FEED       : Disabled
DENSITY LEVEL        : 6
PAPER EJECT MODE     : Fixed Page Mode
BATTERY RECHARGE INTERVAL : Never Discharges Before Charging
SERIAL No.            : E2E29914
DASH LINE BETWEEN PAGES : Disabled
PRE-FEED ON POWER UP : Disabled
AUTO POWER OFF (AC/DC/LI-ION) : Disabled
AUTO POWER OFF (N1-N6) : 10 Minutes
MAC ADDRESS          : 00:1D:12:CF:88:7B
COMMUNICATION TYPE   : adhoc
OPERATING CHANNEL    : 11
SSID                 : PJ-673_9914
ENCRYPTION MODE      : WEP64
AUTHENTICATION TYPE  : Open System
BOOT METHOD           : STATIC
ESS1                  : -10048W
IP ADDRESS           : 169.254.100.1
SUBNET MASK          : 255.255.0.0
GATEWAY ADDRESS      : 0.0.0.0
DNS ADDRESS          : 0.0.0.0
PLAN ON POWER ON     : Keep Current State
PAGE COUNTER         : 949
ROM FREE             : 5898240 byte

10cpl ABCDEFGHIJKLMNOPQRSTUVWXYZabdefghijklmnopqrstuvwxyz0123456789
12cpl ABCDEFGHIJKLMNOPQRSTUVWXYZabdefghijklmnopqrstuvwxyz0123456789
12cpl ABCDEFGHIJKLMNOPQRSTUVWXYZabdefghijklmnopqrstuvwxyz0123456789
12cpl ABCDEFGHIJKLMNOPQRSTUVWXYZabdefghijklmnopqrstuvwxyz0123456789
-----

```

You can also print this report using the (Feed) button (see *Printing a Printer Report* on page 59).

■ **Auto Paper Sensor Threshold Adjustment**

Click [**Auto Paper Sensor Threshold Adjustment**] and follow the on-screen instructions to adjust the paper detection sensor automatically.

■ **Factory Reset**

Click [**Factory Reset**] to reset PJ-673 Utility to its default settings and send them to the printer. The wireless LAN settings will also return to their default settings.

6 Exit

Click [**Exit**] to exit PJ-673 Utility.

7 Send Settings

Click [**Send Settings**] to save the settings displayed with a checkmark in PJ-673 Utility to a configuration file on the computer and then send the settings to the printer. These settings become the default settings when the printer is turned on.

4

Maintaining the Printer

Cleaning the Platen Roller

Dirt and debris on the platen roller can cause the paper to be fed incorrectly (skewing the print image) and degrade the print quality (distorting the print image).

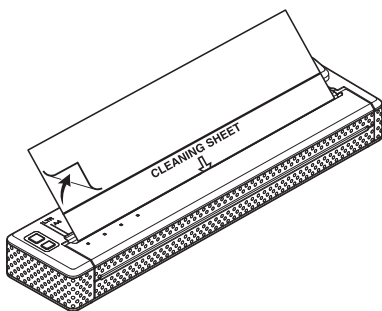
Follow the procedure below to clean the platen roller.

- 1 Make sure that the printer is turned on and that no paper is loaded.

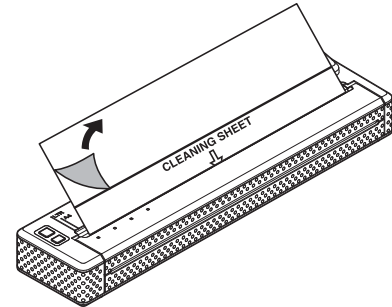
NOTE

If paper is loaded when you attempt to clean the platen roller, a form feed will be executed and the paper will be ejected.

- 2 Insert the cleaning sheet into the paper input slot. The text "CLEANING SHEET" should be upright and face the front of the printer, as shown. The roller will pull the cleaning sheet into the starting position.




- 3 Remove the backing paper on the upper half of the cleaning sheet, as shown.



NOTE

Do not remove the backing paper from the lower half of the cleaning sheet.

- 4 Press the  (Feed) button for more than two seconds. The printer will feed and eject the cleaning sheet.

NOTE

- Do not attempt to clean the platen roller with any material other than the cleaning sheet.
- The cleaning sheet is for cleaning the platen roller only. Do not use it to clean any other part of the printer.
- Contact Brother or your reseller for a replacement cleaning sheet.

Cleaning the Printer's Exterior

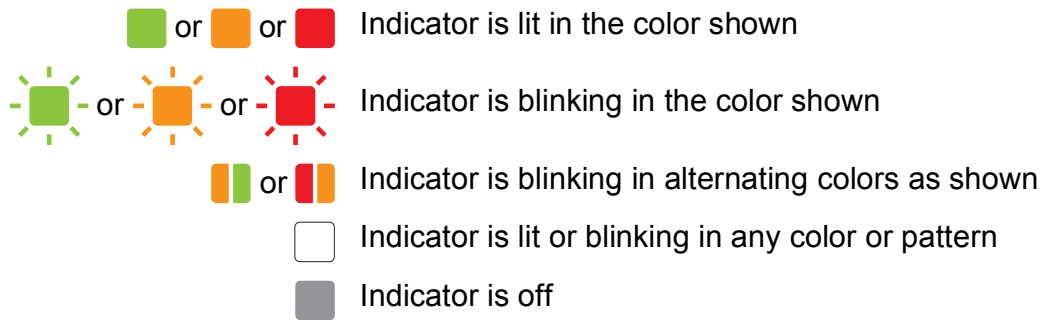
Clean the exterior of the printer by wiping it with a dry cloth.

NOTE

- Do not wet the cloth or allow water to enter the printer.
 - Do not use benzene, alcohol, paint thinner, or cleaners that are abrasive, alkaline, or acidic. Such cleaners may damage the printer's case.
-

Indicators



















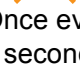

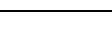
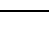

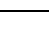

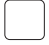


The indicators light and flash to indicate the printer's status. The following symbols are used in this section to explain the meaning of the different indicator colors and patterns.



For details on error causes and solutions, see *Indicator Warnings* on page 57 or *Troubleshooting* on page 60.

The indications shown by the WIRELESS LAN indicator differ in wireless LAN mode and USB mode. The printer status is indicated by the POWER indicator, DATA indicator and STATUS indicator.

For differences in the communication modes, see *WIRELESS LAN indicator* on page 56.

POWER	DATA	STATUS	WIRELESS LAN	Description
				AC adapter/DC cable/Rechargeable Li-ion battery in use
				Rechargeable Ni-MH battery in use
				Rechargeable battery in use, battery charge is full
		 (Once every 4 seconds)		Rechargeable battery in use, battery charge is half-full
		 (Twice every 4 seconds)		Rechargeable battery in use, battery charge is low
		 (Once every second)		Rechargeable battery in use, battery needs to be charged
				Rechargeable Ni-MH battery is discharging

POWER	DATA	STATUS	WIRELESS LAN	Description
				Rechargeable Ni-MH battery is charging
				Printing or receiving data
				Buffer contains unprinted data
				Receiving flash upgrade
				Receiving Printer upgrade
				Printer is in maintenance mode (for printing a printer report)
				System error (call for service)
				Error when beginning charging/discharging (rechargeable Ni-MH battery not installed)
				Charging/discharging timeout error (rechargeable Ni-MH battery)
				Head or motor is cooling down
				Data reception error
				Printer is in boot mode

■ WIRELESS LAN indicator

POWER	DATA	STATUS	WIRELESS LAN	Description
			 (Once every 3 seconds)	Wireless LAN on, not connected
				Wireless LAN on, connected
				USB mode

Indicator Warnings

Problem	Solution
The POWER indicator does not light	<p>The printer is receiving no power.</p> <p>If you are using AC or DC power, make sure that the AC adapter or DC cable is properly connected (see <i>Connecting the Printer to External Power</i> on page 2) and make sure that the AC or DC power outlet is turned on.</p> <p>If you are using a rechargeable battery, make sure that the rechargeable battery is firmly installed in the printer and is fully charged.</p> <p>If you are using DC power, check the fuse.</p>
Error when beginning charging/discharging (rechargeable Ni-MH battery not installed)	<p>The printer did not detect a rechargeable Ni-MH battery when you tried to charge the battery.</p> <p>Make sure that the rechargeable Ni-MH battery is installed properly and that there are no broken wires at the battery or connector. For more information, see <i>Installing the Rechargeable Ni-MH Battery</i> on page 3.</p> <p>If the rechargeable Ni-MH battery is connected properly, the battery may have overheated while charging. Allow the rechargeable Ni-MH battery to cool before charging it again. If this is a reoccurring problem, replace the rechargeable Ni-MH battery.</p>
Charging/discharging timeout error (rechargeable Ni-MH battery)	<p>The rechargeable Ni-MH battery is taking too long to charge (normally the battery should be fully-charged within 120 minutes).</p> <p>Replace the rechargeable Ni-MH battery.</p>
Received data in buffer	<p>Print data is saved in the buffer. Since printing will not begin until all data has been received, accidentally stopping the wireless LAN connection during transmission will save the data, leaving the printer in a state where it cannot print. Turn off the printer, and then turn it on again.</p>

Problem	Solution
Head or motor is cooling down	<p>The thermal head or motor is too hot.</p> <p>Head: If the thermal head becomes too hot, the thermal head may produce imaging on the paper in areas not intended to be printed. This phenomenon may occur when printing a large number of documents with a great deal of text and a high print density.</p> <p>To avoid this, the printer will stop, and resume printing after the print head has cooled down.</p> <p>To avoid or delay the onset of this condition, print using a lighter density setting, reduce the amount of black space being printed (for example, remove background shading and colors in graphs and presentation documents), and make sure that the printer has adequate ventilation and is not located in an enclosed space.</p> <p>Motor: Do not use the printer continuously. If the printer is used continuously, the motor will become too hot. In this case, the printer will stop and resume printing after the motor has cooled down.</p> <p>NOTE</p> <p>This condition may occur more often when the printer is used at high altitude (more than 10,000 feet (3,048 m)) due to a lower air density available to cool the printer.</p>
Data reception error	With unstable communication, it may not be possible to receive data correctly. Improve the communication conditions, and then establish the connection again.
Printer is in boot mode	<p>This issue must be resolved.</p> <p>Contact your reseller or Brother Customer Service for assistance.</p>


NOTE

For errors not described above, see the next chapter, *Troubleshooting* on page 60.

Printing a Printer Report

This feature is used to print a Letter-size printer settings report without connecting the printer to a computer. (The report will fit on A4-size paper.) The report contains firmware version, image quality, and configuration information.

The wireless settings are printed on this page.

- 1 Make sure that the printer is turned on and that no paper is loaded.
- 2 Press and hold the  (Feed) button for two or more seconds until the DATA indicator turns red.
- 3 Insert a piece of genuine Brother thermal paper into the printer's paper input slot. The report will print automatically, and then the printer will return to an idle state.

NOTE

This operation can also be performed using PJ-673 Utility (see *Print Unit Settings* on page 52).

Overview

If you have any problems with the printer, first check to make sure that you have performed the following tasks correctly.

- Install the battery or connect the printer to an AC or DC power outlet (see *Connecting the Printer to External Power* on page 2).
- Print the printer settings to check that the printing operation can be performed (see *Printing a Printer Report* on page 59).
- Enabled communication between the printer and computer. Re-establish the connection (see *Connecting the Printer and iOS Device* on page 11 or *Connecting the Printer and a Windows® Computer* on page 15).

If you still have problems, read the troubleshooting tips in this chapter for help.

Paper Problems

Problem	Solution
The paper is jammed in the printer	See <i>Clearing a Paper Jam</i> on page 39.
The paper moves through the printer, but nothing appears on the paper	<ul style="list-style-type: none"> ■ Make sure that the paper is thermal paper. ■ Make sure that the print surface faces the back, when looking from the front of the printer. ■ Check the print density setting (see <i>Setting Printer Driver Options</i> on page 35).
The paper does not feed even though the motor is running	<p>Make sure that the release cover is completely closed.</p> <p>Make sure that you are using genuine Brother thermal paper. Heavy paper may not pass through the printer.</p> <p>If you still have problems, the printer may be damaged. Contact your reseller or Brother Customer Service for assistance.</p>

Printed Image Problems

Problem	Solution
The printed image is out of alignment	<p>Make sure that you are using genuine Brother thermal paper and that the paper is loaded properly (see <i>Printing</i> on page 33).</p> <p>Check if whether the platen roller is dirty. If it is dirty, clean it (see <i>Cleaning the Platen Roller</i> on page 53).</p>
Print quality is poor, and the printed image is too light or too dark	<p>Adjust the density setting using the printer driver (see <i>Making Prints Lighter or Darker</i> on page 34).</p> <p>Make sure that you are using genuine Brother thermal paper.</p>
The image is compressed and stretched in many places	<p>Make sure that the release cover was not left open during printing. If it is open, close it completely.</p> <p>Check if the paper is slipping in the printer. If it is slipping, make sure that the platen roller is clean (see <i>Cleaning the Platen Roller</i> on page 53).</p> <p>Make sure that you are using genuine Brother thermal paper. Before loading paper, make sure that it is not wrinkled.</p>
The top margin is incorrect	<p>Make sure that the correct margins have been set in PJ-673 Utility and the computer program. Adjust the top and bottom margins as needed.</p> <p>Make sure that you are not forcefully inserting the paper into the paper input slot. Always insert paper gently.</p>

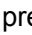
Problem	Solution
The side margins are incorrect	<p>Make sure that the correct margins have been set in PJ-673 Utility and your application. Adjust the left margin as needed.</p> <p>Make sure that the application, the printer, and the printer driver have been set to match the paper size of the paper that is loaded in the printer. If the computer program or printer driver has been set to a different width of paper, the image will not print in the proper horizontal position. Adjust the settings as needed.</p>
The printed page does not contain the proper characters	<p>Make sure that you have defined the proper character set (font) in the computer program. Change the character set if necessary.</p> <p>Try changing the font used in the document.</p>
<p>This printer is not detected when establishing a USB connection.</p> <p>This printer is not detected when establishing a wireless LAN connection.</p>	<ul style="list-style-type: none"> ■ When not detected, and using a USB connection: <ul style="list-style-type: none"> Check that the WIRELESS LAN indicator is turned off. If the WIRELESS LAN indicator is lit or blinking, the printer is in wireless LAN mode. Switch the printer to USB mode. For details on switching the communication mode, see <i>Switching Between Wireless LAN Mode and USB Mode</i> on page 30. ■ When not detected, and using a Wireless LAN connection: <ol style="list-style-type: none"> 1 Check that the WIRELESS LAN indicator is lit or blinking. <ul style="list-style-type: none"> If the WIRELESS LAN indicator is turned off, the printer is in USB mode. Switch the printer to wireless LAN mode. For details on switching the communication mode, see <i>Switching Between Wireless LAN Mode and USB Mode</i> on page 30. 2 Check the wireless LAN settings. <ul style="list-style-type: none"> To print the printer settings, see <i>Printing a Printer Report</i> on page 59. Consult with the network administrator, and then change the settings with PJ-673 Utility. For details on the utility, see <i>Brother PJ-673 Utility</i> on page 40.

Problem	Solution
<p>I want to print using either a wireless LAN connection or a USB connection.</p>	<p>Set up the printer for both a wireless LAN connection and a USB connection. If the printer was set up for only one communication method, it cannot be switched.</p> <ul style="list-style-type: none"> ■ If the wireless LAN driver was not installed during the USB installation: <ol style="list-style-type: none"> a. With the default settings See <i>Adding a Printer</i> on page 19. b. With the default settings changed See <i>Setting Up the Printer (With the Default Settings Changed)</i> on page 22. <p>If printing is not possible after performing step a. and b. Check the network connection.</p> <p>See <i>Setting Up the Computer Running Windows®</i> on page 17.</p> <p>In addition, see <i>Switching Between Wireless LAN Mode and USB Mode</i> on page 30.</p> ■ If the driver of the desired interface is not be selected: The driver of the desired interface must be selected. When the printer is installed, Brother PJ-673 and Brother PJ-673 USB drivers are installed. If printing is still not possible, see <i>Switching Between Wireless LAN Mode and USB Mode</i> on page 30. ■ If the printer interface cannot be switched: See <i>Switching Between Wireless LAN Mode and USB Mode</i> on page 30.
<p>The wireless connection takes time.</p>	<p>From initialization to completing the connection takes time, so it may take 1 minute or more to establish the wireless LAN connection. Since this differs depending on the device and environment, check with the device manufacturer. For details on the printer's wireless LAN preparation time, see <i>Switching Between Wireless LAN Mode and USB Mode</i> on page 30.</p>

Pages Don't Print

Problem	Solution
<p>The DATA indicator remains lit in green but the printer does not print</p>	<ul style="list-style-type: none"> ■ Printing of all received data is not completed. Wait until it is finished. ■ If paper is not installed, load new paper. ■ If the printer does not print even though paper is loaded, remove the paper, and then load it again. ■ Try printing again after turning the printer off, then on again. <p>NOTE</p> <p>If the printer is connected via wireless LAN, the connection is cut when the printer is turned off. When the printer is turned on again, it will take a maximum of about 15 seconds for wireless LAN to become functional.</p> <hr/> <ul style="list-style-type: none"> ■ There may be problems with sending simple ASCII text data to the printer. If the CR/LF command is not at the end of lines or the form feed command is not at the end of the last line, the printer may be waiting for this data to be sent. Print another page, or press the Feed button to feed the paper.
<p>The computer program should be sending data to the printer, but the DATA indicator does light in green</p>	<ul style="list-style-type: none"> ■ With a USB connection: <ol style="list-style-type: none"> 1 Make sure that the USB cable is connected firmly and properly. 2 If the WIRELESS LAN indicator is lit or blinking, the printer is in wireless LAN mode. Switch the printer to USB mode. For details on switching the communication mode, see <i>Switching Between Wireless LAN Mode and USB Mode</i> on page 30. 3 Try using another USB cable. ■ With a wireless LAN connection: <ol style="list-style-type: none"> 1 If the WIRELESS LAN indicator is turned off, the printer is in USB mode. Switch the printer to wireless LAN mode. For details on switching the communication mode, see <i>Switching Between Wireless LAN Mode and USB Mode</i> on page 30. 2 Make sure that the wireless LAN settings have been specified properly.

Pages Are Partially Printed

Problem	Solution
The DATA indicator turns off while a page remains in the printer	<p>The computer program may not have sent a full page of data. Try printing the document again.</p> <p>The computer program may have sent the wrong page size information, or the paper loaded is the wrong size. Check settings in the computer program and the print driver for the proper page size. Make sure that the page size specified in the computer program matches the paper that is loaded.</p> <p>Make sure that the [Form Feed Mode] setting of the printer driver is not set to [No Feed].</p> <p>Try pressing the  (Feed) button to manually form feed.</p>
The printer ejects a partially printed page, and the DATA indicator remains lit or blinking in green	Make sure that the computer application's paper size setting is correct.

7

Technical Information

Product Specifications

Model Name	PJ-673
Dimensions	10.04 (W) x 2.17 (D) x 1.57 (H) in. / 255 (W) x 55 (D) x 40 (H) mm
Weight	Approximately 1.058 lb. / 480g (excluding battery, paper)
Printing	
Method	Direct thermal printing
Print Speed	Average: 9.4 sec./page (under our standard environment ¹)
Resolution	300 x 300 dpi
Printable Area	Configure with printer driver (min. 3.73" x 0.9" / 94.7 mm x 22.8 mm - max. 8.21" x 99.67 / 208.5 mm x 2531.6 mm)
Paper Size	A4 (8.27" x 11.69" / 210 x 297 mm), Letter (8.5" x 11" / 216 x 279 mm), Legal (8.5" x 14" / 216 x 356 mm)
Power (optional)	
Battery	Rechargeable Ni-MH battery: 14.4 V Rechargeable Li-ion battery: 11.1 V
Adapter	AC adapter (15 V)
Car adapter	Cigarette car adapter (12 V (DC))
Battery Yield ¹	Rechargeable Ni-MH battery: Approximately 70 sheets Rechargeable Li-ion battery: Approximately 300 sheets
Interface	
USB	USB Ver.2.0 (Full Speed) (mini-B, Peripheral)
Wireless LAN	Wireless LAN IEEE802.11b/g (Ad-hoc mode)
Compatible operating system ²	
Printer driver	Windows [®] 8 / Windows [®] 7 / Windows Vista [®] / Windows [®] XP (USB, Wireless LAN)

¹ These figures vary by environment. "Our standard environment" is as follows:
JEITA J1 pattern printed continuously on A4 size paper when connected by USB interface and powered by AC adapter (Print Speed), or powered by battery charged using AC adapter (Battery Yield)
Print density=6 Environment temperature=77 °F / 25 °C (Via a wireless LAN connection: 60 pages with a rechargeable Ni-MH battery, and 250 pages with a rechargeable Li-ion battery)

² With iOS 4.3 or later (wireless LAN), printing functions can be added by creating applications. Refer to the SDK for iOS 4.3 or later (wireless LAN) at the Brother Developer Center.

Model Name	PJ-673
Software	
Printer font size	10 cpi, 12 cpi, 15 cpi and proportional sizes
Printer font face	Serif and Sans Serif
Environmental	
Operation temperature	32 - 104 °F/0 - 40 °C
Operation humidity	30 - 80 % (No condensation)
Storage temperature	5 - 122 °F/-15 - 50 °C
Storage humidity	30 - 85 % (No condensation)

A

Character Sets

Character Code Tables

For more detailed information, download the Command Reference from the Brother Solutions Center web site (<http://solutions.brother.com/>)

Extended Graphics Character Table

MSB>	0	1	2	3	4	5	6	7	8	9	A	B	C	D	E	F
LSB 0				0	@	P	`	p	Ç	É	á	☼	L	⌌	α	≡
1			!	1	A	Q	a	q	ü	æ	í	☼	⊥	⌒	β	±
2			“	2	B	R	b	r	é	Æ	ó	☼	⊤	⊥	Γ	≤
3			#	3	C	S	c	s	â	ô	ú		⊥	⌌	π	≥
4			\$	4	D	T	d	t	ä	ö	ñ	⊥	—	⌌	Σ	∫
5			%	5	E	U	e	u	à	ò	Ñ	⊥	⊥	F	σ	∫
6			&	6	F	V	f	v	å	û	a	⊥	⊥	π	μ	÷
7			'	7	G	W	g	w	ç	ù	o	⊥	⊥	⊥	γ	≈
8			(8	H	X	h	x	ê	ÿ	¿	⊥	⌌	⊥	Φ	°
9)	9	I	Y	i	y	ë	Ö	¬	⊥	⊥	⊥	Θ	•
A			*	:	J	Z	j	z	è	Ü	¬	⊥	⌌	⊥	Ω	•
B			+	;	K	[k	{	ï	ø	½	⊥	⊥	■	δ	√
C			,	<	L	\	l		î	£	¼	⊥	⊥	■	∞	n
D			-	=	M]	m	}	ì	¥	¡	⊥	=	■	ø	²
E			.	>	N	^	n	~	Ä	Pt	«	⊥	⊥	■	€	▪
F			/	?	O	_	o		Å	f	»	⊥	⊥	■	∩	

Italic Character Table

MSB>	0	1	2	3	4	5	6	7	8	9	A	B	C	D	E	F
LSB 0			SP	0	@	P	`	p			SP	0	@	P	`	p
1			!	1	A	Q	a	q			!	1	A	Q	a	q
2			"	2	B	R	b	r			"	2	B	R	b	r
3			#	3	C	S	c	s			#	3	C	S	c	s
4			\$	4	D	T	d	t			\$	4	D	T	d	t
5			%	5	E	U	e	u			%	5	E	U	e	u
6			&	6	F	V	f	v			&	6	F	V	f	v
7			'	7	G	W	g	w			'	7	G	W	g	w
8			(8	H	X	h	x			(8	H	X	h	x
9)	9	I	Y	i	y)	9	I	Y	i	y
A			*	:	J	Z	j	z			*	:	J	Z	j	z
B			+	;	K	[k	{			+	;	K	[k	{
C			,	<	L	\	l				,	<	L	\	l	
D			-	=	M]	m	}			-	=	M]	m	}
E			.	>	N	^	n	~			.	>	N	^	n	~
F			/	?	O	_	o				/	?	O	_	o	Ø

International Character Set Table

	23	24	40	5B	5C	5D	5E	60	7B	7C	7D	7E
USA	#	\$	@	[\]	^	'	{		}	~
France	#	\$	à	°	Ç	§	^	'	é	ù	è	Ø
Germany	#	\$	§	Ä	Ö	Ü	^	'	ä	ö	ü	ß
United Kingdom	£	\$	@	[\]	^	'	{		}	~
Denmark I	#	\$	@	Æ	Ø	Å	^	'	æ	ø	å	~
Sweden	#	¤	É	Ä	Ö	Å	Ü	é	ä	ö	å	ü
Italy	#	\$	@	°	\	é	^	ù	à	ò	è	ì
Spain I	Pts	\$	@	ı	Ñ	ı	^	'	Ø	ñ	}	~
Japan	#	\$	@	[¥]	^	'	{		}	~
Norway	#	¤	É	Æ	Ø	Å	Ü	é	æ	ø	å	ü
Denmark II	#	\$	É	Æ	Ø	Å	Ü	é	æ	ø	å	ü
Spain II	#	\$	á	ı	Ñ	ı	é	'	ı	ñ	ó	ú
Latin America	#	\$	á	ı	Ñ	ı	é	ü	ı	ñ	ó	ú
Korea	#	\$	@	[₩]	^	'	{		}	~
Legal	#	\$	§	°	'	"	¶	'	©	®	†	™

brother®