

Notice

The information in this user's manual is subject to change without notice.

THE MANUFACTURER OR RESELLER SHALL NOT BE LIABLE FOR ERRORS OR OMISSIONS CONTAINED IN THIS MANUAL AND SHALL NOT BE LIABLE FOR ANY CONSEQUENTIAL DAMAGES WHICH MAY RESULT FROM THE PERFORMANCE OR USE OF THIS MANUAL.

The information in this user's manual is protected by copyright laws. No part of this manual may be photocopied or reproduced in any form without prior written authorization from the copyright owners.

Copyright March, 2005
All rights reserved.

Microsoft and Windows are registered trademarks of Microsoft Corporation. DOS, Windows 95/98/ME/2000/NT/XP are trademarks of Microsoft Corporation.

Product names mentioned herein may be trademarks and/or registered trademarks of their respective owners/companies.

The software described in this manual is delivered under a license agreement. The software may be used or copied only in accordance with the terms of the agreement.

This product incorporates copyright protection technology that is protected by U.S. patents and other intellectual property rights. Use of this copyright protection technology must be authorized by Macrovision, and is intended for home and other limited viewing uses only unless otherwise authorized by Macrovision. Reverse engineering or disassembly is prohibited.

Rev 1.0

TABLE OF CONTENTS

PREFACE

Symbols and Conventions

Protecting Your Computer - Avoid Abusive Handling and Adverse Environments

Chapter Summaries

1. GETTING TO KNOW THE BASICS

Performance Features (1-2,3)

System at a Glance (1-4)

Top View (1-4,5,6)

Front and Rear Views (1-7,8)

Side Views (1-9,10)

Bottom View (1-11,12)

AC Adapter (1-13)

LED Status Indicators (1-14)

Keyboard Features (1-15)

Function (Quick) Keys (1-15)

Windows Keys (1-16)

Embedded Numeric Keypad (1-16)

Touch Pad (1-17)

Graphic Subsystem (1-18)

Adjusting the Display Brightness (1-18)

Extending the Life of the TFT Display Panel (1-18)

Opening and Closing the Display Panel (1-19)

Audio Subsystem (1-20)

Adjusting the Volume in Windows (1-20)

Voice Recording (1-20)

Modem and Modem Settings (1-21)

Ethernet Adapter (1-22)

2. BIOS SETUP AND SECURITY

Entering the BIOS Setup Screen (2-3)

Leaving the BIOS Setup Screen (2-3)

BIOS Action Keys (2-3)

Modifying the BIOS Settings (2-4)

 Main Setup (2-4)

 Advance Setup (2-4,5)

 Security Setup (2-5,6)

 Power Setup (2-7)

 Boot Setup (2-8)

 Exit Setup (2-9)

3. BATTERY POWER & POWER MANAGEMENT

The Battery Pack (3-2)

 Lithium-Ion Battery Technology (3-2)

 Battery Low-Power Warning (3-3)

Installing and Removing the Battery Pack (3-4,5)

Charging the Battery and Charging Time (3-5)

Checking the Battery Level (3-6)

Prolonging the Battery's Life and Usage Cycles (3-6)

Using Windows Power Options (3-7)

 Windows' Power Schemes (3-7,8)

 Suspend Modes (3-9,10)

 Power Button Action (3-11)

 Low Battery Warning (3-12)

 Power Manual Quick Access (3-13)

4. UPGRADING YOUR COMPUTER

Upgrading the Hard Disk Drive (4-2,3,4,5)

Upgrading the System Memory (4-6,7,8,9)

Installing a Mini PCI Card to the System (4-10,11,12)

5. TROUBLESHOOTING

First Step (5-2,3)

Audio Problems (5-4)

Hard Disk Problems (5-5,6)

Optical Drive Problems (5-7)

Display Problems (5-8)

Keyboard and Mouse Problems (5-9)

CMOS Battery Problems (5-10)

Memory Problems (5-11)

Modem Problems (5-12)

Network Adapter / Ethernet Problems (5-13)

Express Card Problems (5-14)

Performance Problems (5-15)

Firewire (IEEE1394) and USB2.0 Problems (5-16)

APPENDIX A Product Specification

APPENDIX B Agency Regulatory Notices

APPENDIX C CyberLink Power Cinema Guide

Preface

Using This Manual

This User's Manual contains general information about the hardware and software setup, troubleshooting, and technical specifications of the notebook computer.

Symbols and Conventions

The following conventions and symbols are used in this manual:

- When keys are to be pressed at the same time, a plus (+) symbol is used. For instance, Fn+F7 means holding Fn and F7 keys at the same time.
- When a series of clicking actions is needed in a Windows O/S, the [] and > symbols are used. For instance, [Start > Settings > Control Panel > Display] means clicking the Start icon first, then the Settings, then the Control Panel, then the Display icon.
- When you need to make a selection with the touch pad (or mouse), you will be asked to 'select' or 'click' or 'double-click', 'right-click' the item.



Note: Text in this format and symbol represents specific instructions, commentary, sidelights, or any additional information or notes that you should be aware of.



Warning: Text in this format and symbol means that failure to comply with the given instructions or information could result in damage to your computer or could cause bodily harm or loss of life.

Protecting Your Computer - Avoid Abusive Handling and Adverse Environments

Following the advice below will help ensure that you get the most out of your investment.

Your computer will serve you well if you take good care of it.

- Do not expose the computer to direct sunlight or place it near sources of heat.
- Do not subject it to temperatures below 0°C (32°F) or above 35°C (95°F).
- Do not expose the computer to magnetic fields.
- Do not expose the computer to moisture or rain.
- Do not spill water or liquid on the computer.
- Do not subject the computer to adverse shock and vibration.
- Do not expose the computer to dust and dirt.
- Do not place objects on top of the computer to avoid damaging the computer.
- Do not place the computer on rocky surfaces.

Here are some ways of taking care of your AC adapter.

- Do not connect the adapter to any devices other than your computer.
- Do not let water get into the adapter.
- Do not block the ventilation airway of the adapter.
- Keep the adapter in a cool and ventilated place.
- Do not step on the power cord or place heavy objects on top of it.
- Carefully tuck away the power cord and any cables away from pedestrian traffic.
- When unplugging the power cord, do not pull on the cord itself; pull on the plug instead.

- Keep the adapter away from children.
- The total ampere ratings of the equipment plugged in should not exceed the ampere rating of the cord if you are using an extension cord.
- The total current rating of all equipment plugged into a single wall outlet should not exceed the fuse rating.
- Do not connect another AC adapter to your notebook. This Notebook uses exclusively the AC adapter: Lishin LSE0202B2090 (90W), Lishin LSE0202C2090 (90W), Lishin LSE0202D2090 (90W), Liteon PA-1900-05 (90W), Liteon PA-1900-06 (90W), Liteon PA-1121-22 (120W), Lishin 0227A20120 (120W).

When cleaning the computer, observe these steps:

1. Power off the computer and remove the battery pack.
2. Disconnect the AC adapter.
3. Use a soft cloth dampened with water. Do not use liquid or aerosol cleaners.

Contact tech support or see your service technician if any of the following occurs:

- Computer has been dropped or the body has been damaged.
- Liquid has been spilled into the product.
- The computer does not operate normally.

Cleaning the Ventilation Grills:

It is suggested that you clean the ventilation grills regularly to maintain optimal thermal regulation of the notebook. To do this, you may use a soft brush or a vacuum cleaner (with appropriate head adapter) to remove the dust buildup on the ventilation grills.

Chapter Summaries

The following is a summary of the available chapters and appendices in this manual.

Chapter 1: Getting to Know the Basics

In this chapter, you will learn the basic operations and features of your computer. It gives you a general understanding of the components of your computer.

Chapter 2: BIOS Setup / Security

In this chapter, you will learn how to change various firmware settings and what the settings mean. Also, you will learn how to take advantage of the built-in security feature provided by the BIOS.

Chapter 3: Battery Power & Power Management

In this chapter, you will learn the fundamentals of power management and how to use them to achieve longer battery life.

Chapter 4: Upgrading Your Computer

In this chapter, you will learn how to upgrade the system memory and the hard disk drive, and how to install a wireless mini PCI card.

Chapter 5: Troubleshooting

In this chapter, you will learn how to solve common hardware and software problems.

Appendix A: Product Specification

In this section, you will find a list of the computer's system specifications.

Appendix B: Agency Regulatory Notices

In this section, you will find the general electro-magnetic and safety regulatory information.

Appendix C: Agency Regulatory Notices

In this section, you will find the cyberlink power cinema guide information.

C H A P T E R ▼ O N E

GETTING TO KNOW THE BASICS

This chapter introduces the features and components of the computer.

Performance Features

■ High-Performance Processor

The notebook PC is equipped with a powerful Mobile Intel Pentium M processor of the latest sub-micron process, processor technologies, and high bus bandwidths.

■ Advanced Graphic Engine

The system is assembled with high-performance nVidia GFX 6800 with 256MB DDR. The PCI-Express high-end graphics engine offers excellent graphics performance for the most demanding professionals or gamers. The advanced graphics chip also incorporates a hardware-based motion-compensation engine, which gives you smooth MPEG video playback. DirectX 9 graphics capability also adds realism to PC games.

■ LCD Display

The computer is equipped with a wide 17-inch TFT high-resolution display panel for clear text and brilliant colors.

■ Expandability

The system offers upgradeable hard disk drive slots and dual DDRII SDRAM sockets for expansion. This allows the user to easily increase the storage and system memory capacities as the need arises.

■ Built-in Multiple Card Reader

There is a built-in 4-in-1 card reader to access many of the portable media formats (SD Card, MS Card, MMC Card, and MS-Pro Card).

■ Ethernet Port

The system provides a built-in gigabit Ethernet network adapter for high bandwidth network connection.

■ **Firewire (IEEE1394 / 1394a) and USB2.0 ports**

In addition to a full array of built-in I/O ports, the computer offers IEEE1394 for ultra high-speed connection to high bandwidth digital video devices and USB2.0 ports to connect to any USB-based peripheral devices.

■ **Wireless LAN**

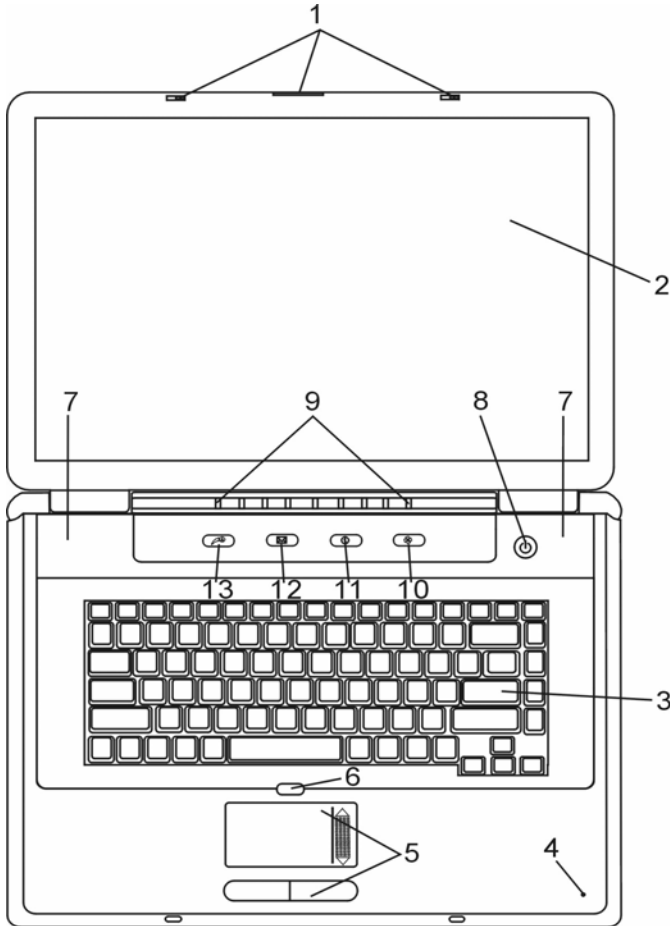
The optional internal Wireless LAN module allows your notebook to connect wirelessly to other 802.11-enabled systems, devices, or a network.

■ **Built-in Audio Subwoofer**

The optional subwoofer gives you enhanced low-frequency response for audio enjoyment.

System At A Glance

Top View



1. LCD Latch

The LCD latches lock / unlock the LCD panel.

2. **LCD Display**

The panel is where the system content is displayed.

3. **Keyboard**

The keyboard is used to enter data. It has an embedded numeric keypad and cursor control keys. (See Keyboard Section for details.)

4. **Built-in Microphone**

The built-in microphone records sound.

5. **Touch Pad**

The touch pad is a built-in pointing device with functions similar to a mouse.

6. **Touch Pad Disable / Enable Button**

The button enables or disables Touch Pad function.

7. **Built-in Stereo Speakers**

The built-in speakers output the sound in stereo.

8. **Power / Suspend Button**

The power/suspend button turns the notebook on and off and it also acts as a system suspend key. Press momentarily to turn on the system. Press and hold for at least 4 seconds to turn off the system. How this key behaves can be defined in the [Start > Settings > Control Panel > Power Options > Advanced] menu. Press the power / suspend button again to return from the suspend mode. (See Chapter 3 for more details on system suspend function.)

9. **LED Status Indicator**

The LED Status indicators reveal the status of these functions: Numeric keypad, cap lock, scroll lock, WLAN module enabling and

disabling and also the ODD and HDD activities. (See the LED Status Indicator Section for details.)

The LED Status indicators also reveal the status of the system power state and battery-charging state. See the LED Status Indicator Section for details.

10. Silent Mode Button

Pressing the key enables the system to lower its power usage; therefore the fan speed is reduced to achieve the lowest operating noise.

You may need to go to BIOS Setup to enable Silent Mode for this button. See Chapter 2 for details.

11. Outlook Express Quick Key

Pressing the button launches Outlook Express in Windows.

12. Internet Explorer Quick Key

Pressing the button launches Internet Explorer in Windows.

13. Power Cinema Multimedia Player Launch Key (Optional)

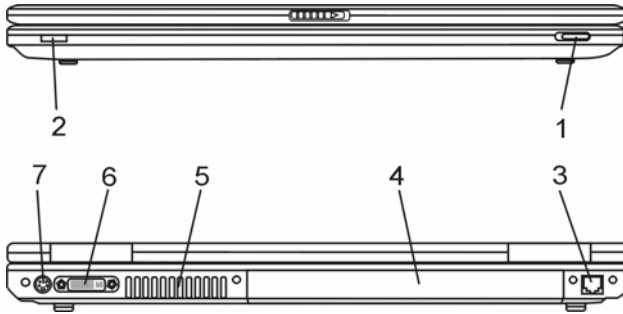
The key allows you to watch movies files, listen to music, or view photos in the optical drive or hard disk drive without having to boot to Windows.

Or it is a Windows media player launch function instead if you do not have Linux software.



Note: The way the Power Cinema software works is that when the quick key is pressed (when the system is in Power-Off mode), the system boots to a Linux-based O/S and media player application in a separate hard drive partition.

Front and Rear Views



Warning: Do not place any heavy objects on the top of the notebook. This may damage the display.

- 1. Wireless On/Off Switch**
Use the Switch to disable or enable the Wireless function.
- 2. Consumer IR Receiver**
This is where the input from the Remote Control is received.
- 3. Modem Port**
This is where you plug the phone jack (RJ-11) for fax/modem functions.
- 4. Battery Pack**
The battery pack is a built-in power source for the notebook.
- 5. Ventilation Grill**
The fan grill is where air is exchanged to dissipate the internal heat. Do not block this airway completely.

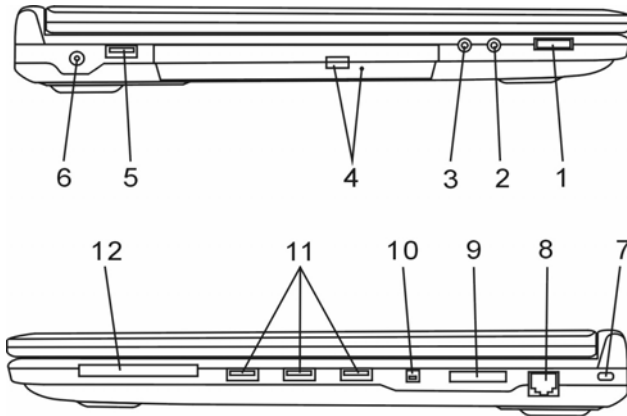
6. DVI-I Port

The DVI-I video output port is for connecting the external LCD monitor or projector.

7. TV (S-Video) Port

The S-Video port permits you to redirect the screen output to a television set or any analog video playback device. This TV Port is copyright protected; when a DVD movie is played, the output is scrambled to prevent analog recording.

Side Views



Warning: Do not place any heavy objects on the top of the notebook. This may damage the display.

1. Audio Volume Dial

Use the volume dial to control the loudness of the speakers.

2. Stereo Headphone / SPDIF-out Jack

The stereo headphone jack (3.5-mm diameter) is where you connect the headphones or external speakers. Alternatively, you may connect the SPDIF output to an external DTS, AC3, or PCM sound processor / decoder in your home stereo system.

3. Microphone Jack

The microphone jack (3.5-mm diameter) is where you connect a microphone.

4. Optical Drive and Disk Eject Button and Manual Eject Key

Hole

If your computer comes with the Combo drive, DVD-RW, DVD+RW, or DVD-Dual drive, you may save data onto a CD-R / CD-RW or DVD RW disc. Press the eject button to eject the disk tray. The manual eject keyhole allows you to manually eject a jammed disk.

5. USB2.0 Port (x1)

The Universal Serial Bus (USB2.0-compliant) port allows you to connect a wide variety of devices to your computer at a rate of up to 480 Mbps. This port conforms to the latest USB2.0 plug-and-play standards.

6. Power Jack (DC-in)

The DC-out jack of the AC Adapter connects here and powers the computer.

7. Kensington Lock Key Hole

A Kensington-type security lock latches to this keyhole for anti-theft purposes.

8. Ethernet / LAN Port

The port connects to a network hub via the RJ-45 cable and also conforms to 10/100Base-TX transmission protocol.

9. 4-in-1 Card Reader

The 4-in-1 Card Reader supports SD Card, MS Card, MMC Card, and MS-Pro Card.

10. Firewire / IEEE1394 / 1394a Port

This is a high-speed serial data port. You may connect any Firewire-ready device to this port.

11. USB2.0 Port (x3)

The Universal Serial Bus (USB2.0-compliant) port allows you to connect a wide variety of devices to your computer at a rate of up to 480 Mbps. This port conforms to the latest USB2.0 plug-and-play standards.

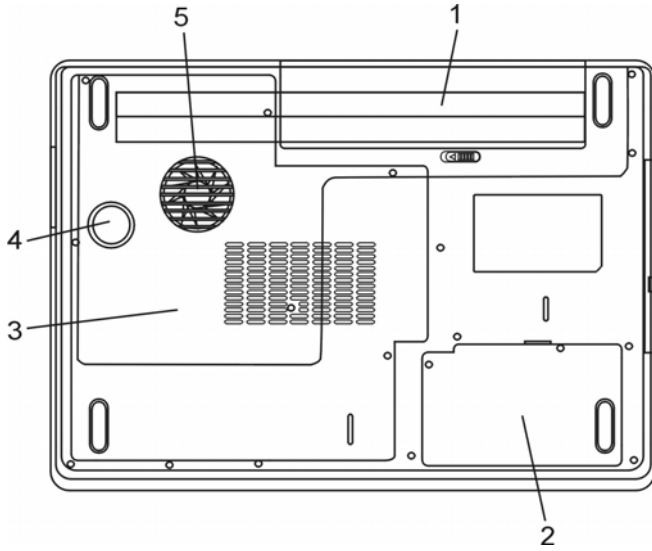
12. Express Card Slot (Type II)

The slot is where the Express Card (Type II) is inserted.



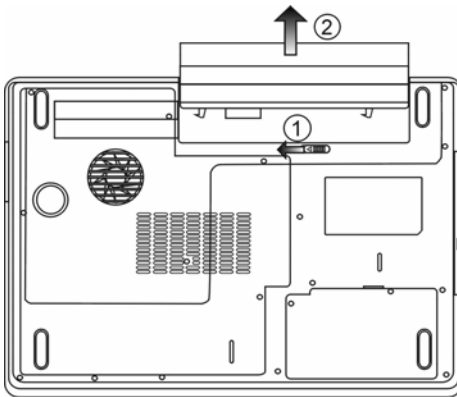
Note: For safety consideration, please insert the dummy card when not using the Express card.

Bottom View



1. Battery Pack and Battery Latch

The battery pack is a built-in power source for the notebook. Slide the battery latch to release the battery pack.



2. Hard Disk Drive Cover

The system's hard disk drive is located under the cover. The HDD can be upgraded to a larger capacity. (See Chapter 4 for instructions on an HDD upgrade.)

3. System Device Cover

The system's processor with cooler assembly, Wireless LAN module and DDR memory module are located under the case cover. The system memory can be upgraded to a larger capacity. (See Chapter 4 for instructions on a memory upgrade.)

4. Audio Subwoofer

The built-in audio subwoofer gives you enhanced bass response.

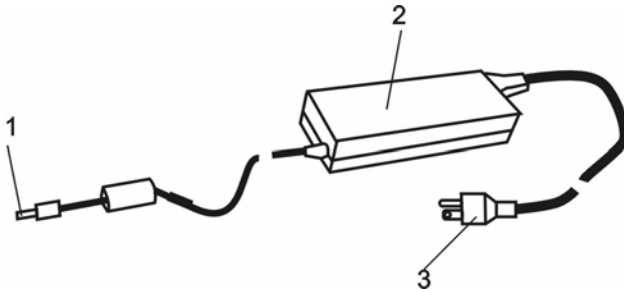
5. Ventilation Grill

The fan grill is where air is exchanged to dissipate the internal heat. Do not block this airway completely.



Warning: Do not block the Fan Grill outlet. Place the machine on hard surfaces only. The bottom case may get very hot.

AC Adapter



1. DC-out Connector

The DC-out connector docks to the power jack (DC-in) on the computer.

2. Adapter

The adapter converts alternating current into constant DC voltage for the computer.

3. AC Plug

The AC plug plugs to the AC wall outlet.












Warning: Make sure you are using a standard 3-prong AC wall socket with a ground pin. If not, you may feel a slight tingling sensation on any of the computer's metal parts such as the I/O ports. This is caused by leakage current when the AC adapter is not properly grounded (via the ground pin). However, the amount of leakage current is within the safety regulation and is not harmful to the human body.

LED Status Indicator






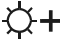
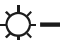
The LED Status Indicator displays the operating status of your notebook. When a certain function is enabled, an LED will light up. The following section describes its indication.

System & Power Status Indicators

LED Graphic Symbol	Indication
	Blue light indicates the system is ON.
	Blue light indicates the WLAN module is active.
	Blinking blue light indicates the notebook is in suspend mode.
	Blinking orange light indicates the battery is being charged. Blinking red light indicates the battery level is low.
	Blue light indicates the hard drive and/or optical drive is being accessed.
	Blue light indicates the numeric keypad is activated.
	Blue light indicates the cap-lock is activated.
	Blue light indicates the scroll-lock is activated.
	Blue light indicates the Silent Mode is enabled.

Keyboard Features

Function Keys (Quick Keys)

Graphic Symbol	Action	System Control
	Fn + F1	Enters Suspend Mode.
	Fn + F3	Turns the battery warning beep off or on.
	Fn + F4	Changes Display Mode: LCD-only, CRT-only and LCD&CRT.
	Fn + F5	Turns Speaker Volume up.
	Fn + F6	Turns Speaker Volume down.
	Fn + F7	Increases Display Brightness.
	Fn + F8	Decreases Display Brightness.
	Fn + F10	Press Fn+F10 to enter the Turbo Mode. The CPU speed will increase by 10%. Press Fn+F10 again to exit the Turbo Mode. The CPU speed will return to normal.
	Fn + Num Lock	Enables the embedded keypad to work in numeric mode. The keys act like numeric keypads in a calculator. Use this mode when you need to do a lot of numeric data entry. An alternative would be to connect an external numeric keypad.
	Fn + Scroll Lock	Press the Scroll Lock key and then press ↑ or ↓ to move one line up or down.

For various system controls, press the Fn (Function) key and the Fx key simultaneously.

Windows Keys

Your keyboard also has two Windows keys:



1. Start Key

This key allows you to pull up the Windows Start Menu at the bottom of the taskbar.



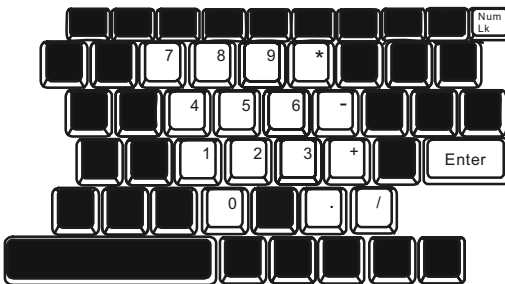
2. Application Menu Key

This key brings up the popup menu for the application, similar to a click of the right mouse button.

Embedded Numeric Keypad

Press Fn+NumLock to enable the embedded numeric keypad. The numbers are printed in the upper right corner of a key, in a color different from the normal characters. This key pad is complete with arithmetic operators (+, -, * , /).

Press Fn+NumLock to revert to normal character keys.



Touch Pad

The built-in touch pad, which is a PS/2-compatible pointing device, senses movement on its surface. As you move your fingertip on the surface of the pad, the cursor responds accordingly.

The following items teach you how to use the touch pad:

1. Move your finger across the touch pad to move the cursor.
2. Press buttons to select or execute functions. These two buttons are similar to the left and right buttons on a mouse. Tapping on the touch pad twice is similar to clicking the left button of a mouse.

Function	Left Button	Right Button	Equivalent Tapping Action
Execution	Click twice quickly		Tap twice (at the same speed as double-clicking the mouse button)
Selection	Click once		Tap once
Drag	Click and hold to drag the cursor		Tap twice quickly and on the second tap hold finger to the touch pad to drag the cursor
Access Context Menu		Click once	
Move One Page Up or Down			

Tips on Using the Touch Pad:

1. The double-click speed is timed. If you double-click too slowly, your notebook responds as if you single-clicked twice.
2. Keep your fingers dry and clean when using the touch pad. Also keep the surface of touch pad clean and dry to prolong its life.
3. The touch pad is sensitive to finger movements. Hence, the lighter the touch, the better the response. Heavy touch does not produce a better response.

Graphic Subsystem

Your computer uses a high performance 17-inch active matrix TFT panel with high resolution and multi-million colors for comfortable viewing. The nVidia NV42M video graphics accelerator, which is Microsoft DirectX 9-compatible, performs graphics rendering at a lighting-fast speed.

Adjusting the Display Brightness

The notebook uses special key combinations, called hot keys, to control brightness.

Press Fn+F7 to increase the brightness.

Press Fn+F8 to decrease the brightness.



Note: To maximize your battery operating time, set the brightness to the lowest comfortable setting, so that the internal backlight uses less power.

Extending the Life of the TFT Display Device

Observe the following guidelines to maximize the life of the backlight in the display.

1. Set the brightness to the lowest comfortable setting (Fn+F8).
2. When working at your desk, connect your notebook to an external monitor and disable the internal display Fn+ F4.
3. Do not disable the suspend time-outs.
4. If you are using AC power and have no external monitor attached, change to suspend mode when not in use.

Opening and Closing the Display Panel

To open the display, push the LCD latch inwardly and lift up the lid. Then tilt it to a comfortable viewing position.

To close the display cover, fold it down gently until the LCD latches click into place.



Warning: To avoid damaging the display, do not slam it when closing. Do not place any object on top of the computer when the display is closed

Audio Subsystem

Your computer's audio subsystem is Sound Blaster Pro-compatible.

Adjusting the Volume Manually

To increase the volume, press Fn+F5.

To decrease the volume, press Fn+F6.

Adjusting the Audio Volume in Windows

1. Click the speaker symbol in the task tray in Windows.
2. Drag the volume control bar up or down to adjust the volume.
3. To temporarily silence the speaker without changing the volume setting, click Mute.

Voice Recording

A built-in microphone allows you to record sound. You will need to use audio processing software to enable the built-in microphone.

For example, you may use Microsoft Sound Recorder.

Modem

Your computer comes with a 56K V.92 internal fax/modem and a phone jack (RJ-11), which is located on the left side of your computer.

Use a telephone cable to connect the computer to the telephone wall outlet.

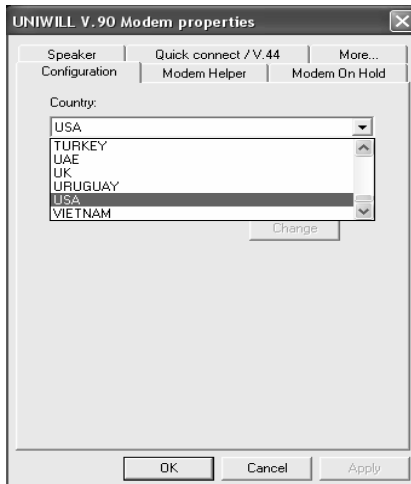
Connecting the Modem

1. Plug one end of the phone line into the modem port located on the rear side of the computer. (For EMI compliance, you need to clip the included EMI CORE to the phone line.)
2. Plug the other end of the line into the analog phone wall outlet.

Depending on where your computer is used, you may need to change settings in the modem. Correct settings will allow you to maintain a stable connection in a country with a telecommunication system that may be different to others.

To change the modem setting, do the following:

1. Go to [Start > Settings > Control Panel] and double-click on the Modem Settings icon. You will see a similar dialog box.



2. Click on the pull-down menu and select the country where it is

applicable. Click on OK to exit.

Ethernet

Your computer is equipped with a 100/1000Base-TX Fast Ethernet network adapter. Connect the active LAN cable to the RJ-45 LAN port located on the left side of the computer. This allows you to access and transmit data in the local area network.

Connecting to the Network

Use the Unshielded Twisted Pair (UTP) Ethernet cable only.

1. Insert one end of the UTP cable into the network connector until the connector snaps securely into the receptacle.
2. Either connect the other end of the cable to an RJ-45 jack wall outlet or to an RJ-45 port on a UTP concentrator or hub in the network.

Cabling Restriction for Networks

The following restrictions should be observed for 100/1000BASE-TX networks:

- The maximum cable run length is 100 meters(m) (328 feet[ft]).
- For 100/1000-Mbps operations, use Category 5 wiring and connections.



Note: Consult the Windows manual and / or Novell Netware user's guide for the software installation, configuration, and operation of the network.

C H A P T E R ▼ T W O

BIOS SETUP AND SECURITY FEATURE

In this chapter, you will learn how to enter the BIOS Setup Menu and manipulate various hardware control settings. You will also learn how to use the built-in security features.

The Setup Utility is a hardware configuration program built into your computer's BIOS (Basic Input/Output System). It runs and maintains a variety of hardware functions. It is a menu-driven software, which allows you to easily configure and change the settings.

The BIOS contains manufacture's default settings for the computer's standard operations. However, there are occasions when you may be required to modify the default settings in the BIOS. For example, you may need to configure the BIOS power management (APM) settings if you are using DOS, or non-Windows operating system.

The BIOS allows you to set up passwords to limit access to users. This is an important feature because a great deal of vital information is carried within the computer nowadays. Unauthorized access can be prevented. Later in this chapter, you will learn how to use this security feature.

Entering the BIOS Setup Screen

First turn on the power. When the BIOS performs the POST (Power-On Self Test), press F2 key quickly to activate the AMI BIOS Setup Utility.



Note: You may need to press F2 key fairly quickly. Once the system begins to load Windows, you may have to retry by cycle-power on again

Leaving the BIOS Setup Screen

When you have finished modifying the BIOS settings, exit the BIOS. It takes a few seconds to record changes in the CMOS.

BIOS Action Keys

Function Key	Command	Description
ESC	Exit	Leaves a sub-menu to return to the previous menu OR exits the BIOS setup while saving changes.
Enter	Go to Sub Screen	Shows the Sub Menu
F1	General Help	Shows the Help Screen
F10	Save and Exit	Saves changes and reboots the computer.
<Tab>	Select a field	Selects the next field.
↑	Select an item	Selects the next upper item.
↓	Select an item	Selects the next lower item.
-	Lower value	Selects the next value within a field.
+	Higher value	Selects the next value within a field.

Modifying the BIOS Settings

The AMIBIOS setup main menu is subdivided into sub-menus. Each menu item is described in this section.

Main Setup

Under this menu, you may change time/date and view basic processor and system memory information.

Item	Selections / Sub-menu	Description
Date	N/A	Type in the current date, in MM/DD/YY format.
Time	N/A	Type in the current date, in HH:MM:SS format.

Advanced Setup

► IDE Configuration

Item	Selections / Sub-menu	Description
Secondary IDE Master	ATAPI CDROM	The secondary master controls the ATAPI CD-ROM drive.



Note: The sub-menu is not selectable. Press enter to view information of the storage device.

Item	Selections / Sub-menu	Description
Remote Control	Enable Disable	Enable or Disabled the remote control IR port
CPU Execute-Disable-Bit	Enable/Disable	When enabled the CPU will provide the system with protection from viruses that use the over run buffer vulnerability.
LCD Panel power Saving	Enable/Disable	When enabled dims the LCD in long batter life mode to conserver power.

Security Setup

► Boot Settings Configuration

Item	Selections / Sub-menu	Description
Change Supervisor Password	N/A	Install or Change the Password
Change User Password	N/A	Install or Change the Password
Clear User Password	N/A	Install or Change the Password

Using Password Protection

Two Levels of Password Protection are available. The BIOS provides both a Supervisor and a User password. If you try to activate both passwords, the Supervisor password must be set first.

The passwords activate two different levels of protection:

1. System always asks for password every time it is powered on.
2. System asks for password only when you attempt to enter BIOS utility.

The passwords are encrypted and stored in NVRAM. Make sure you write them down or memorize them. If you lost the passwords, the computer may need to be sent back to the factory or to an authorized service dealer to reset the passwords.

Power Setup

Item	Selections / Sub-menu	Description
Long Battery Life Mode	Enable Disable	[When enabled, maximum battery life can be achieved. The processor performance is lowered.



Note: The Suspend Mode selection in BIOS only applies to older Windows version (such as Windows 3.1 or Windows 95 or NT4) or non-Windows operating system. In Windows ME / 98SE / 2000 / XP, suspend mode and settings are determined by settings in the Power Options Properties (Start > Control Panel > Power Options).

Boot Setup

Item	Selections / Sub-menu	Description
Quiet Boot	Disabled Enabled	When Enabled, the system will display OEM logo instead of the POST messages. When Disabled, the system will display POST messages (i.e. devices information.)

► Boot Device Priority

Item	Selections / Sub-menu	Description
1st Boot Device	Removable Dev. CD/DVD Hard Drive Realtek Boot Agent Disabled	Set the type of device for the 1st drive BIOS attempts to boot from. If Realtek Boot Agent is selected, system will attempt to load boot sector from the Ethernet port.
2nd Boot Device		Set the type of device for the 2nd drive BIOS attempts to boot from.
3rd Boot Device		Set the type of device for the 3rd drive BIOS attempts to boot from.
4th Boot Device		Set the type of device for the 4th drive BIOS attempts to boot from.



Note: If you select Realtek Boot Agent, the system will attempt to boot from the network.

Note: When the BIOS performs POST, you may also press F12 Key to enable the Boot Device selection menu. You may choose CD/DVD, Hard Drive, or Realtek Boot Agent as the first storage device to boot from. If you have already connected a USB Floppy Disk Drive before powering up, it will appear as a Removable Device in the Boot Device selection menu

Exit Setup

Item	Selections / Sub-menu	Description
Saves Changes and Exit	N/A	After you have completed the BIOS settings, select this item to save all settings, exit BIOS Setup utility, and reboot. New system settings will take effect on next power-up. F10 key can be used for this operation.
Discard Changes	N/A	Discards changes done so far to any of the setup questions.
Load Optimal Defaults	N/A	Load Optimal Default value for all the setup questions. F9 key can be used for this operation.

C H A P T E R ▼ T H R E E

BATTERY POWER & POWER MANAGEMENT

In this chapter, you will learn the fundamentals of power management and how to use it to achieve longer battery life.

In this chapter, you will learn how to operate your notebook on battery power, how to handle and maintain the battery pack, and learn about the system's power saving features.

The TFT display, central processor, and hard disk drive are the major hardware subsystems that consume the most power. Power management dictates how these key components should behave to conserve power. For example, you can have the system turn off its display after 2 minutes of inactivity to save power. Efficient power management can help you work longer sessions before having to recharge the battery.

The Battery Pack

Lithium-Ion Battery

Your notebook uses an eight-cell Lithium-Ion battery pack that provides power when you don't have access to an AC outlet.



Note: It is necessary that you charge the battery pack for at least 6 hours before using it for the first time.

Note: In the Standby Suspend mode, a fully charged battery loses its power in roughly 1/2 day or less. When not being used, the battery's power will deplete in 1-2 months.

Battery Low-Power Warning

1. Low Battery Warning

Low battery condition occurs when battery power is reduced to 6%. The red battery status LED indicator blinks and the system beeps once every 16 seconds or so.

2. Very Low Battery Warning

Very Low battery condition occurs at 3% power remaining. The red battery status LED indicator blinks and the system beeps at 4-second intervals.

When the notebook warns you of its low battery condition, you will have about 3-5 minutes to save your current work.



Warning: Do not expose battery packs to temperatures below 0 degrees Celsius (32 degree F) or above 60 degrees C (140F). This may adversely affect the battery pack.

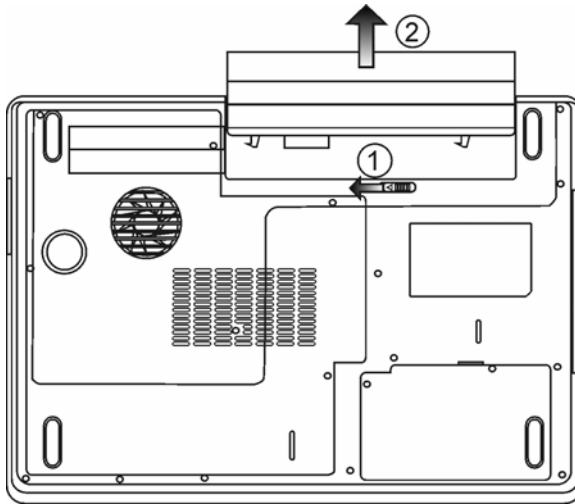


Note: Press Fn+F3 to turn off the battery warning beep.

Installing and Removing the Battery Pack

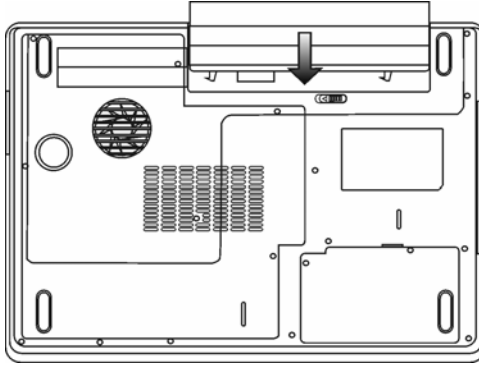
To Remove the Battery Pack:

1. Place the notebook bottom-side up on a flat and secure surface.
2. Push the latch and pull the battery's hard case away from the notebook.



To Install the Battery Pack:

1. Place the notebook bottom-side up on a flat and secure surface.
2. Carefully insert the battery pack into the battery compartment of the notebook.



Charging the Battery and Charging Time

To charge the battery, while the battery pack is in the notebook, plug the AC adapter into the notebook and an electrical outlet. The charging time is approximately 4-6 hours when the notebook is turned off and approximately 6-10 hours when the notebook is turned on.

When the battery is fully charged, the battery charge indicator becomes dark.



Note: If the system runs at heavy loading or in a high temperature environment, the battery may not be fully charged. You need to continue to charge it with the AC adapter plugged in until the charging LED turns dark.

Checking the Battery Level

You can check the remaining battery power in the Windows battery status indicator, which is located at the lower right-hand corner of the task bar. (If you do not see a battery or AC-in icon on the task tray, go to the Power Options Properties box and click on the Advanced tab. Check off ``Always show icon on the task bar``.) Alternatively, you can access the power meter by clicking the Power Options icon in the Windows Control Panel.

Prolonging the Battery's Life and Usage Cycles

There are things you can do to prolong the use of the battery.

- Use the AC adapter wherever an AC wall outlet is available. This will ensure uninterrupted computing.
- Purchase an additional battery pack.
- Store the battery pack in room temperature. Higher temperatures tend to deplete the battery's power faster.
- Make good use of the power management function. Save To Disk (Hibernate) saves the most energy by storing current system contents in a hard disk space reserved for this function.
- The life expectancy of the battery is approximately 300 recharges.
- See the notices section in the beginning of the user manual on how to care of the battery pack.

Note: Read the section Protecting Your Notebook in the beginning of this manual for tips about how to maintain the battery pack.

Note: To achieve optimal battery performance, you may need to do a battery calibration at a 3-month interval. To do this:

1. Fully charge the battery.
 2. Then discharge the battery by entering the BIOS setup screen. (Press F2 key as soon as you turn on the computer. And let it remain at the setup screen until the battery runs out.)
 3. Fully charge the battery again.
-

Using Windows Power Options

Windows Power Management provides basic power saving features. In the Windows Power Options Properties [Start > Settings > Control Panel > Power Options] dialogue box, you may enter time-out values for the display and hard disk drive. Windows power manager saves power by turning off the hard drive after 1 minute of inactivity, for example.

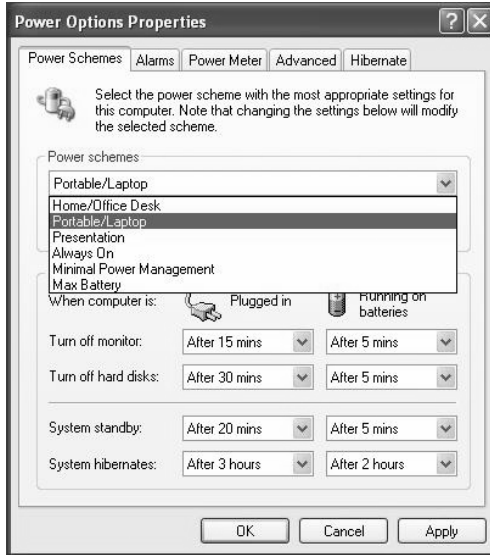
Windows' Power Schemes

The power management control panel in Windows XP, known as Power Schemes, is designed to provide the user with an easy-to-use interface. The Power Schemes tab can be found in the Power Options Properties panel that is accessible via the control panel window.

Schemes are easy to understand, based on notebook usage scenarios, and control not only processor power usage but other system peripherals as well.

Go to [Start > Settings > Control Panel] and double-click the Power Options icon.

Always on mode puts the processor into maximum performance mode, which provides no power saving. The other schemes control processor performance based on demand. For example, Max Battery mode lowers the processor's speed and voltage to conserve power as much as possible.



In this dialog box, you can manually set the LCD and hard drive's time-out values in the Plugged in column and in the Running on batteries column. Lower time-out values will save more battery power.



Note: Also consult the Windows user guide for more information on how to use Windows power management functions.

Note: Actual dialogue box may appear slightly different from what is shown above.

Suspend Mode

Standby Suspend

The system automatically enters this mode after a period of inactivity, which is set in the Power Schemes dialog box. In Standby mode, hardware devices, such as the display panel and hard disk, are turned off to conserve energy.

Hibernate Suspend

In this mode, all system data is saved in the hard disk before powering down. When this mode is activated, all system state and contents are saved to the hard disk drive after a period of inactivity defined by the user. No power or very little power is drawn from the battery module under this mode.

However, depending on how much RAM has been installed on your computer, the amount of time the system requires to restore all its previous contents can range from 5 to 20 seconds.

For Windows 2000 / XP users, hibernation is handled by the operating system; therefore, no special disk partition or disk file is necessary.

If you wish to activate Hibernate mode, you need to enable Hibernate Support in the Hibernate tab of the Power Options menu.



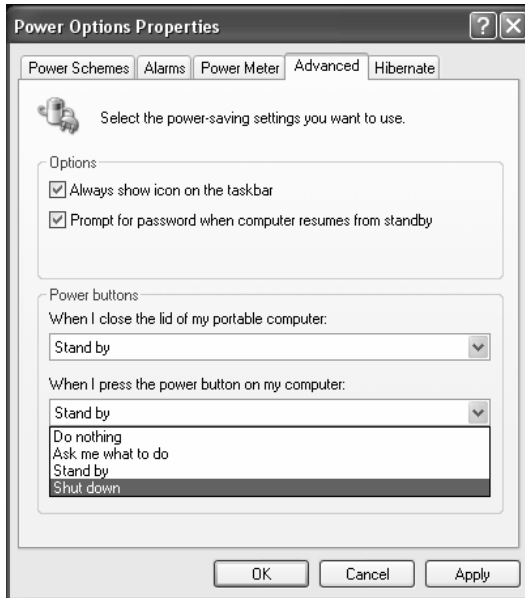
Note: Do not install or remove the memory module when the system is in the suspend mode.

Note: Actual dialogue box may appear different from what is shown above.

Power Button Action

The notebook PC's power button can be set to turn off the system or activate the suspend mode.

Go to [Start > Settings > Control Panel > Power Options] and click on the Advanced tab. In the pull-down menu, select how you wish the power button to work as.



Note: Actual dialogue box may appear different from what is shown above.

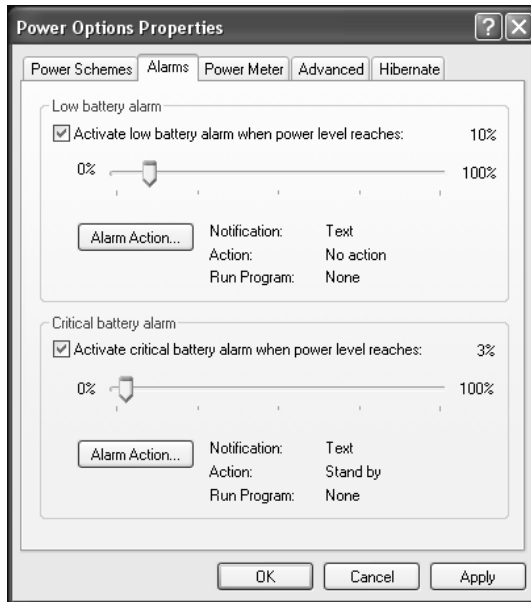


Warning: In the *When I close the lid of my portable computer* pull-down menu, DO NOT select *Do nothing* – otherwise the system will still run at high speed while the processor's fan grill is fully blocked by the closed LCD panel. The heat will damage the LCD panel.

Low Battery Warning

You can define when and how the system warns you of its battery-low condition.

Go to the Alarms tab in the Power Options Properties box. If you wish to hear audible beeps, click on the Alarm Action button and put a check on Sound Alarm.

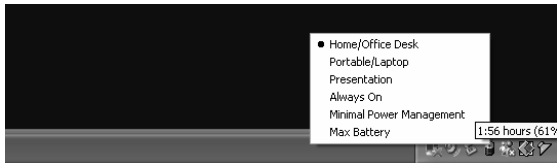


Note: Consult the Windows user guide for more information on how to use Windows power management functions.

Note: Actual dialogue box may appear different from what is shown above.

Power Menu Quick Access

Instead of making specific selections in the Power Options Properties box, you can quickly and easily specify which pre-set power saving function you desire by clicking on the Battery icon at the lower right-hand corner of the task bar. (If you do not see a battery or AC-in icon, go to the Power Options Properties box and click on the Advanced tab. Check off ``Always show icon on the task bar``.) Select Max Battery if you want the system to enter suspend mode more often. Or, select Always On if your notebook PC is plugged into an AC power source.



Note: Actual dialogue box may appear different from what is shown above.

C H A P T E R ▼ F O U R

UPGRADING YOUR COMPUTER

In this chapter, you will learn how to upgrade the DRAM and hard disk drive, and how to install the optional wireless LAN mini PCI.



Warning: We strongly recommend you contact Alienware when upgrading your system. When upgrading, please turn off the power, and disconnect the LAN and Modem cable first for your safety. After the upgrade is complete, please remember to screw all the screws before turning on the system.

Upgrading the Hard Disk Drive

Replacing the original drive with one of larger capacity can increase the hard drive capacity of your computer. The computer uses a 9.5 mm (height), 2.5-inch Serial ATA type hard disk.

Be sure to make a backup copy of all your data before attempting this operation.



Warning: A hard drive upgrade is a delicate process. Please observe the following instructions carefully or have a qualified technician install it for you. Damages due to mishandling of this procedure are NOT covered by the manufacturer's warranty.



Warning: Apply care when handling the hard disk.

- Do not drop or apply any shock.
 - Do not press on the cover.
 - Do not touch the connector with your fingertips.
 - Mishandling of the hard drive can result in permanent loss of data. Make a backup copy of the drive's content before you remove it.
-

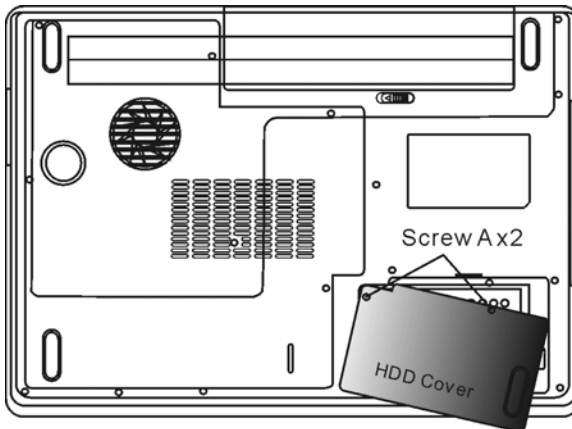


Note: Certain models that come with the IBM-brand hard drive emit a clattering sound when they are being rattled. This is a normal condition.

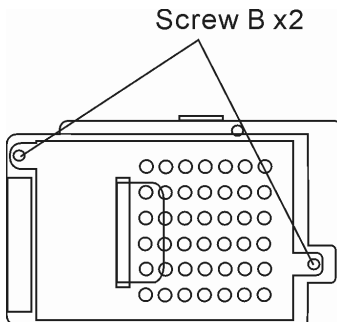
Upgrading the Hard Disk Drive

To replace the hard disk drive, do the following:

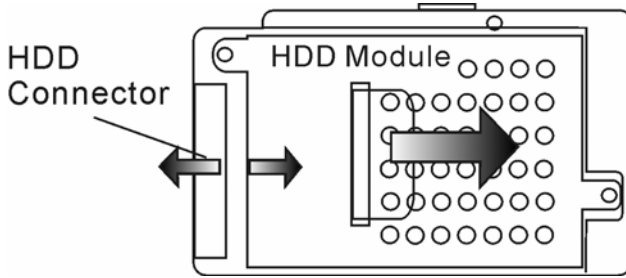
1. Turn OFF the computer. Unhook the AC cord and all cables/devices attached to the notebook. Remove the battery.
2. Place your hand on a large metal object momentarily to discharge any static electricity.
3. Locate and remove two Screw A's.
4. Remove HDD Cover.



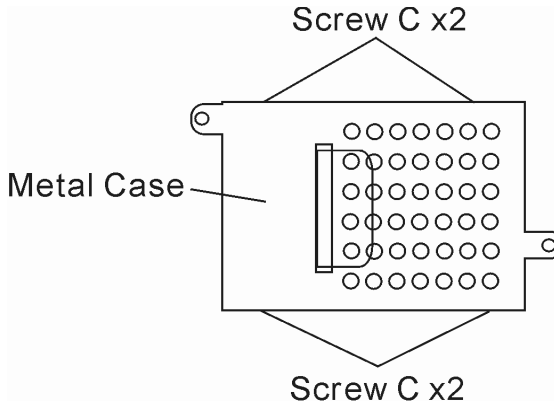
5. Locate and remove two Screw B's.



6. Push the HDD module to the right and separate it from the connector. Lift the module away from the bay.



7. Locate and remove 4 Screw C's from the HDD module. Remove the metal case.



8. Re-attach the metal cover to the new hard drive and tighten 4 Screw C's. Note the green PC board of the hard disk drive is facing against the metal case.
9. Re-attach the HDD module to the HDD connector. And re-attach 2 Screw B's.

10. Put the HDD cover back and re-attach 2 Screw A's.

Congratulations! You have now completed the hard drive upgrade. When you boot up the PC, you may need to create a primary HDD partition and reformat the new drive and re-install the O/S, drivers, and all the necessary applications.

Upgrading the System Memory

Many applications will generally run faster when the computer's dynamic memory capacity is increased. The computer provides two DDR2 memory sockets, located underneath the System Device Cover. You can increase the amount of memory by replacing the existing one with a dual inline memory module (commonly known as SO-DIMM) of a higher capacity. The SO-DIMM can be 128MB, 256MB, 512MB, or 1024MB in capacity. The SO-DIMM is of type DDR2 SDRAM, has 200 pins and runs on 2.5V. The SO-DIMM should be PC2 3200 or PC2 4200 compliant.



Warning: A memory upgrade is a delicate process. Please observe the following instructions carefully or have a qualified technician install it for you. Damages due to mishandling of this procedure are NOT covered by the manufacturer's warranty.



Warning: Changing memory while your computer is in suspend or power-saving mode may cause permanent damage to the hardware. Make sure you turn off the power and unplug the AC cord before proceeding with a memory upgrade.

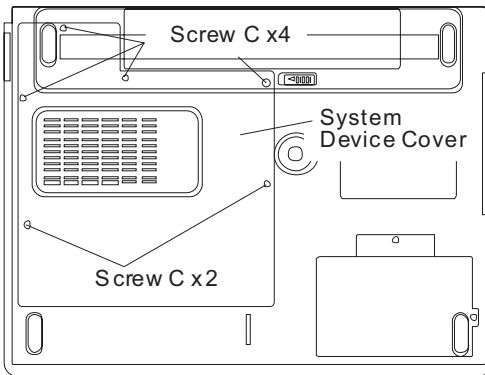


Warning: You should only use the DIMM module that is approved by Alienware; otherwise the system may become unstable.

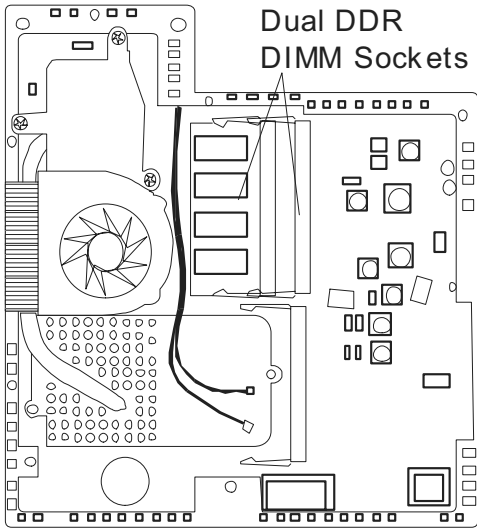
Installing a memory module (DIMM) into the system

To install the DIMM, do the following:

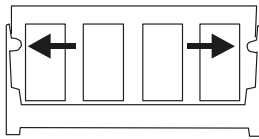
1. Power OFF the notebook. Unplug the AC cord and all cables/devices attached to the notebook. Remove the battery.
2. Place your hand on a large metal object momentarily to discharge any static electricity. Place the notebook on a flat surface and fully close the LCD lid.
3. Locate and remove 6 Screw C's on the System Device Cover.



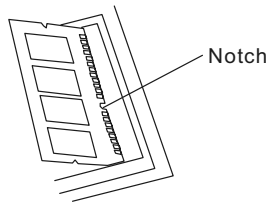
4. Remove the System Device Cover. The DIMM socket is now seen as shown below.



5. If you need to remove an old DIMM from the socket, press out on the latches located on both edges of the socket at the same time. The DIMM should pop up to an angle of 30 degree (see diagram below). Pull the DIMM module out of the memory socket. Store away the DIMM for the future use.



6. Install the new DIMM module into the memory socket. The DIMM will only fit in one orientation. Insert the DIMM at an angle of approximately 30 degrees into the empty memory socket. Then press it firmly so that the contact edge is driven into the receiving socket.



7. Pivot the DIMM until the latches on both sides of the socket snap into place.



Note: Notice the notch on the DIMM. The notches should fit nicely with the socket.

8. Put the System Device Cover back and tighten 6 Screw C's.

Congratulations! You have just completed the memory upgrade. When you boot up the computer, you should expect to see an increase in DRAM capacity.



Note: Your computer has been tested with a wide range of DIMM on the market. However, not all memory modules are compatible. Check with your system vendor for a list of compatible DIMM for your computer.

Adding a Mini-PCI Type Wireless LAN Card (Optional Device)

Your computer comes with a unique Mini PCI Card socket, which is located next to the DRAM socket and underneath the WLAN Module Cover. The socket allows the computer to add unique features such as wireless LAN (IEEE802.11x). Ask an Alienware customer service agent on the availability of the mini PCI card.



Warning: Installing a mini PCI card is a delicate process. Please observe the following instructions carefully or have a qualified technician install it for you. Damages due to mishandling of this procedure are NOT covered by the manufacturer's warranty.

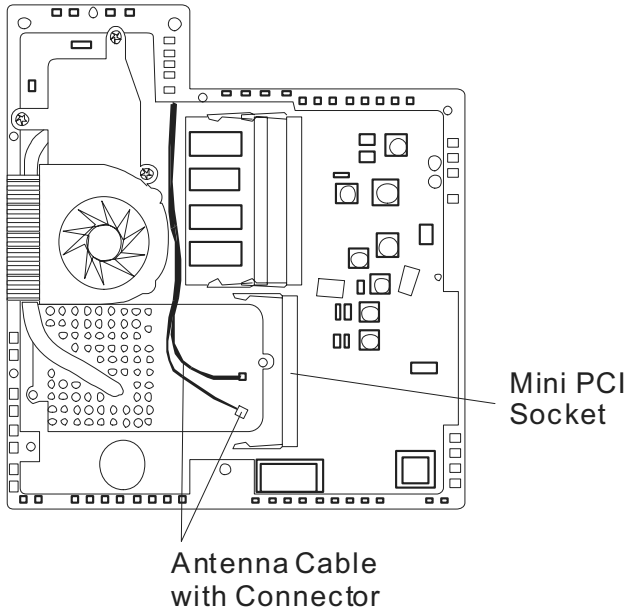


Warning: Installing the mini PCI card while your computer is in suspend or power-saving mode may cause permanent damage to the hardware. Make sure you turn off the power and unplug the AC cord before proceeding with a memory upgrade.

Installing a Mini PCI Card into the System

To install a new Mini PCI card, do the following:

1. Follow steps in the previous section, *Installing a memory module (DIMM) into the system*, to access the Mini PCI Socket.

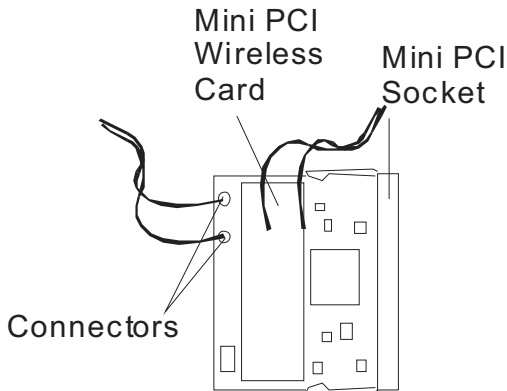


2. The mini PCI card will only fit in one direction. Align the small notch in the module with the socket on the connector and insert the card at an angle of approximately 30 degrees into the empty socket. Then press it firmly so that the contact edge is driven into the receiving socket. Pivot the mini PCI card until the latches on both sides of the socket snap into place.



Note: If you want to remove a mini PCI card from the socket, press out on the latches located on both edges of the socket at the same time. The card should pop up to an angle of 30 degree.

3. Locate 2 antenna cables with connectors. Snap the cable onto the golden connector on the Mini PCI Wireless LAN card.
(Note: The connectors are fairly small! This may take some maneuvering. You may want to connect the antenna cables before inserting the wireless card into the socket.)



4. Replace the System Device Cover and 6 Screw C's.

Congratulations! You have now completed the mini PCI card installation. During the next time the system boots to Windows, the system will prompt for driver location. Insert the Factory CD-ROM and point to the directory where the Wireless LAN driver can be found. In addition to installing the driver, you may also need to run a Setup.exe program to install the card's utility applications before it is fully operational.

C H A P T E R ▼ F I V E

TROUBLESHOOTING

In this chapter, you will learn how to solve common hardware and software problems.

Your computer has been fully tested and complies with the system specifications before shipping. However, incorrect operations and/or mishandling may cause problems.

This chapter provides a reference for identifying and correcting common hardware and software problems that you may encounter.

When you encounter a problem, you should first try to go through the recommendations in this chapter. Instead of returning the computer and waiting for repair, you may easily solve the problems by considering the following scenarios and possible solutions. If the error continues, contact your reseller for service information.

Before taking further actions, consider the following suggestions:

- Check to see if the problem persists when all the external devices are removed.
- Check to see that the green light indicator on the AC adapter is lit.
- Check to see the power cord is properly plugged to the wall outlet and to the computer.
- Check to see the power indicator of the computer is on.
- Check to see if your keyboard is operational by pressing and holding any key.
- Check for any incorrect or loose cable connections. Make sure the latches on the connectors latch securely on to the receptor end.
- Be sure you have not performed an incorrect setting on the

hardware devices in the BIOS Setup utility. A faulty setting may cause the system to misbehave. If you are not sure of the changes you made, try to restore all the settings to factory defaults.

- Be sure all the device drivers are installed properly. For example, without the audio driver properly installed, the speakers and microphone will not work.
- If external devices such as an USB camera, scanner, or printer do not function correctly when connected to the system, it is usually the device's own problem. Consult the device's manufacturer first.
- Some software programs, which have not gone through rigorous coding and testing, may cause problems during your routine use. Consult the software vendor for problem solving.
- Legacy peripheral are not plug-and-play capable. You need to restart the system with these devices powered up and connected first.
- Be sure to go to BIOS SETUP and load DEFAULT SETTING after BIOS re-flash.
- Be sure the Quick Key Lockout Switch on the bottom of the computer is not engaged; otherwise, the quick keys will not work.

Audio Problems

No speaker output -

- Turn up the volume dial located at the right edge of the computer. See Chapter 1 for its location.
- Software volume control is turned down in Microsoft Sound System or is muted. Double-click the speaker icon on the lower right corner of the taskbar to see if the speaker has been muted or turned down all the way.
- Most audio problems are software-related. If your computer worked before, chances are software may have been set incorrectly.
- Go to [Start > Settings > Control Panel] and double-click the Sounds and Audio Devices icon. In the Audio page, make sure that Vinyl AC'97 Audio (WAVE) is the default playback device.

Sound cannot be recorded -

- Double-click the speaker icon on the lower right corner of the taskbar to see if the microphone has been muted.
 1. Click Options and select Properties.
 2. Select Recording and click the OK button.
 3. After Click OK button, the recording volume control panel will appear.
- Go to [Start > Settings > Control Panel] and double-click the Multimedia icon (or Sounds and Audio Devices icon). In the Volume or Audio page, make sure that Vinyl AC'97 Audio (WAVE) is the default recording device.

Hard Disk Problems

The hard disk drive does not work or is not recognizable -

- If you had just performed a hard disk upgrade, make sure the hard drive connector is not loose and the hard disk drive is also correctly seated. Remove it and reinsert it firmly, and restart your PC. (Refer to Chapter 4 for details.)
- The new HDD may need to be partitioned and reformatted. O/S and drivers will need to be re-installed as well.
- Check the hard disk indicator LED. When you access a file, the LED lamp should light up momentarily.
- The new HDD may be defective or is not compatible.
- If your computer has been subjected to static electricity or physical shock, you may have damaged the disk drive.

The hard drive is making abnormal whining noises -

- You should back up your files as soon as possible.
- Make sure the source of noise is indeed from the hard drive and not the fan or other devices.

The hard disk drive has reached its capacity -

- Run Disk Cleanup utility in Windows. [Start > All Programs > Accessories > System Tools > Disk Cleanup] The system will prompt you for what to do.
- Archive files or programs that you no longer use by moving them to an alternative storage medium (floppy disk, optical record-able disk, etc.) or uninstall programs that you no longer use.
- Many browsers store files in the hard drive as a cache to speed up the performance. Check the program's Online Help for

instructions on decreasing the cache size or on removing temporary Internet files.

- Empty the Recycle Bin to create more disk space. When you delete files, Windows saves them to the Recycle Bin.

The hard disk takes longer to read a file -

- If you have been using the drive for a period, the files may be fragmented. Go to [Start > Programs > Accessories > System Tools > Disk Defragmenter] to perform a disk defragmentation. This operation may take a while.
- Interrupt requests or problems with other hardware devices may have occupied the CPU and therefore slow down the system performance.

The files are corrupted -

- Run the Error-checking utility in Windows to check the HDD. Double-click My Computer. Right-click C: and select Properties. Click Check Now in Error-checking in Tools.

Optical Drive Problems

The optical drive does not work -

- Try rebooting the system.
- The disk is damaged or files are not readable.
- After you have inserted a CD-ROM disk, it may take a moment before you can access its content.

The drive does not read any disks -

- The CD may not be properly seated in the tray. Make sure the disk is firmly seated onto the spindle.
- The disk is damaged or not readable.

The disk cannot be ejected -

- Normally, it takes a few seconds to eject the disk.
- If the disk cannot be ejected, it may be mechanically jammed. Straighten out a paper clip and insert it to a tiny hole next to the eject button. This should reject the disk tray. If not, return the unit for repair. Do not forcefully pull on the disk tray.

The Combo or DVD RW drive (optional device) cannot record -

- You need to purchase and install a burner utility program to record files to a blank media.

Display Problems

The display panel is blank when the system is turned on -

- Make sure the computer is not in the Standby or Hibernate suspend modes. The display is turned off to conserve energy in these modes.

The screen is difficult to read -

- The display resolution should be set to at least 1024x768 for optimal viewing.
 1. Go to [Start > Settings > Control Panel] and double-click the Display icon.
 2. Under the Settings page, set the screen resolution to at least 1024x768 and choose at least 256 colors.

The screen flickers -

- It is normal if the display flickers a few times during shutting down or powering up.

Keyboard and Mouse Problems

The built-in touch pad performs erratically -

- Make sure there is no excess perspiration or humidity on your hand when using the touch pad. Keep the surface of the touch pad clean and dry.
- Do not rest your palm or wrist on the surface of the touch pad while typing or using the touch pad.

The built-in keyboard accepts no input -

- If you are connecting an external keyboard to the system, the built-in keyboard may not work.
- Try restarting the system.

The characters on the screen repeat while I type.

- You may be holding the keys down too long while you're typing.
- Keep the keyboard clean. Dust and dirt under the keys could cause them to stick.
- Configure the keyboard to wait longer before the auto repeat feature starts. To adjust this feature, go to [Start > Settings > Control Panel], and double-click the Keyboard icon. A dialogue box shows up with the adjustable settings for the keyboard.

CMOS Battery Problem

A message “CMOS Checksum Failure” displays during the booting process or the time (clock) resets when booting -

- Try to reboot the system.
- If the message “CMOS Checksum Failure” appears during the booting procedure even after rebooting, it may indicate failure of the CMOS battery. If so, you need to replace the battery. This battery normally lasts two to five years. The battery is of type CR2032 (3V). You may replace it by yourself. The battery is located under the System Device Cover on the bottom of the notebook. See Chapter 4 for more details.

Memory Problems

The POST does not show an increased memory capacity when you have already installed additional memory -

- Certain brands of memory modules may not be compatible with your system. You should ask tech support for a list of compatible DIMM.
- The memory module may not be installed properly. Go back to Chapter 4 to review the details of this operation.
- The memory module may be defective.

The O/S issues an insufficient memory error message during operation -

- This is often a software or Windows-related problem. A program is draining the memory resources.
- Close the application programs you're not using and restart the system.
- You need to install additional memory module. For instructions, go to Chapter 4 Upgrading Your Computer.

Modem Problems

The built-in modem does not respond -

- Make sure the modem driver is loaded properly.
- Go to [Start > Settings > Control Panel > Phone and Modem Options] and go to the Modems tab. Make sure SmartLink 56K Voice Modem or Uniwill V.92 Modem is listed. Otherwise, click the Add button to add the modem drive, which is located in the factory CD-ROM (or floppy diskette).
- Go to [Start > Settings > Control Panel > System] and click the Device Manager button in the Hardware page to check for a possible resource or driver conflict. See Windows on-line help or manual for how to handle such problems.
- Make sure the phone line, which the computer is connected to, is working.

Connection difficulties -

- Be sure to disable Call Waiting on the phone line.
- Be sure to have the correct country setting where your computer is used. [Start > Settings > Control Panel > Modem Settings > Configuration] In the Country/Area pull-down menu, select the appropriate country setting.
- Excessive line noise might cause the connection to be dropped. To check this, put the regular phone handset on the line and place a phone call. If you do hear abnormal noise, try to make the modem connection with a different line or contact your local telephony company for service.
- Make sure the cable connection is firm.
- Try a different receiver number and see if the problem persists.

Network Adapter / Ethernet Problems


The Ethernet adapter does not work -

- Go to [Start > Settings > Control Panel > System > Hardware > Device Manager]. Double-click on Network Adapters and check if Realtek RTL8139/810x Family Fast Ethernet NIC appears as one of the adapters. If it does not exist, Windows has not detected the Realtek RTL8139/810x Family Fast Ethernet NIC or the device driver has not been installed properly. If there is a yellow mark or red cross on the network adapter, it may be a device or resource conflict. Replace or update the device driver from the factory CD-ROM disk or consult the Windows manual on how to solve the resource conflict problem.
- Make sure the physical connections on both ends of the cable are good.
- The hub or concentrator may not be working properly. Check to see if other workstations connected to the same hub or concentrator are working.

The Ethernet adapter does not appear to operate in the 100Mbps transmission mode -

- Make sure the hub you are using supports 100Mbps operation.
- Make sure that your RJ-45 cable meets the 100Base-TX requirements.
- Make sure the Ethernet cable is connected to the hub socket that supports 100Base-TX mode. The hub may have both 100Base-TX and 100Base-T sockets.

ExpressCard Problems



Note: Some systems may not have the PC Card Slot option.

ExpressCards do not function-

- Make sure you have properly installed the driver for the card.
- Consult the card's manual or contact the vendor for troubleshooting.

The ExpressCards cannot be recognized -

- Windows NT4.0 does not support ExpressCards function. You may need an external program for this.
- Make sure the card is fully inserted; the outer end of the card should be even with the edge of the computer.
- Remove and insert the ExpressCards again.
- Make sure there is no IRQ conflict with the card. See Windows on-line help for solving IRQ conflicts.
- Reboot the computer and see if the problem persists.
- The card may be defective. Try the card on another system, if possible.

Windows crashes or freezes when you remove the ExpressCards

Make sure you have stopped the ExpressCards before removing it. Double-click the Safely Remove Hardware icon at the lower right corner of the task bar and select the card you wish to stop. When you click <Close>, Windows will prompt you to remove the card in a few seconds.

Performance Problems

The computer becomes hot -

- In a 35°C environment, certain areas of the computer's back case are expected to reach 50 degrees.
- Make sure the air vents are not blocked.
- If the fan does not seem to be working at high temperatures (50 degrees Celsius and up), contact the service center.
- Certain programs that are processor-intensive may increase the computer temperature to a degree where the computer automatically slows down its CPU clock to protect itself from thermal damage.

The program appears stopped or runs very slowly -

- Press CTRL+ALT+DEL to see if an application is still responding.
- Restart the computer.
- This may be normal for Windows when it is processing other CPU-intensive programs in the background or when the system is accessing slow-speed devices such the floppy disk drive.
- You may be running too many applications. Try to close some applications or increase system memory for higher performance.
- The processor may have been overheated due to the system's inability to regulate its internal heat. Make sure the computer's ventilation grills are not blocked.

Firewire (IEEE1394) and USB2.0 Problems

The USB device does not work -

- Windows NT 4.0 does not support USB protocols
- Check the settings in the Windows Control Panel.
- Make sure you have installed the necessary device drivers.
- Contact the device vendor for additional support.

The IEEE1394 port does not work -

- Go to [Start > Settings > Control Panel > System > Hardware > Device Manager]. You should see an entry which reads "Texas Instrument OHCI Compliant IEEE 1394 Host Controllers". If it does not exist, Windows has not detected the host controller or the device driver has not been installed properly. If there is a yellow mark or red cross on the 1394 host controller, it may be a device or resource conflict. Replace or update the device driver from the factory CD-ROM disk or consult the Windows manual on how to solve the resource conflict problem.
- Make sure the cable is fully connected.
- Make sure you have installed the necessary device drivers.
- Contact the device vendor for additional support.

A P P E N D I X ▼ A

PRODUCT SPECIFICATION

▼ **Processor and Core Logic**

<ul style="list-style-type: none"> ■ Processor ■ Core Logic

- Mobile Intel Pentium M (Dothan), up to 2.13GHz, 2 MB L2 cache or
 - Mobile Intel Celeron M, up to 1.60GHz, 1MB L2 cache
- Intel Alviso 915PM + ICH6-M (FW82801FBM) chipset with audio, modem, and USB2.0 controllers integrated
- 800 MHz (Pentium M) / 400 (Celeron M) Front Side Bus
- 400/533 MHz DDR2 interface

▼ **System Memory**

<ul style="list-style-type: none"> ■ Memory Type ■ Default ■ Memory Expansion
--

- DDR2 SDRAM 400/533MHz, PC2700 compatible
- 512 / 256 / 512 / 1024MB, 2.5-Volt 64-bit bus
- up to 200-pin DIMM sockets, Max 2 GB

▼ **Display**

<ul style="list-style-type: none"> ■ LCD Panel ■ Graphic Accelerator ■ Graphic Bus ■ Motion Playback ■ Other Features ■ S-Video TV-out Encoder
--

- 17-inch (1920x1200) WUXGA TFT display with 24-bit colors or
 - 17-inch (1440x900) WXGA+ TFT display with 24-bit colors
 - nVidia NV42M (with 256MB frame buffer)
- PCI Express bus architecture graphics capability
- Hardware Motion Compensation and IDCT Supported for MPEG1/2 Playback
- DirectX compatible
- Integrated with graphic accelerator)

▼ Audio

- Chipset
- Audio Codec
- Sound Capabilities

Intel (ICH6M) integrated audio controller
 Realtek ALC880
 DirectSound 3D, EAX 1.0 & 2.0 compatible
 A3D, I3DL2 compatible
 AC97 V2.3 compatible
 7.1 Multi-channel compatible (through S/PDIF)
 Supports Azalia standard
 2 Stereo Speakers with 1 Subwoofer

▼ Modem

- Chipset
- Transmission Rate

Intel (ICH6M) integrated Modem Controller with MDC card,
 Azalia standard support

▼ Wireless LAN

- Module
- Transmission Protocol

Intel PRO/Wireless 2200, MiniPCI Interface
 IEEE802.11 B&G

▼ LAN / Ethernet

- Chipset
- PnP Function
- Flow Control
- Speed Selection
- Other Features

Realtek 8110 Ethernet function for
 10/100/1000Base-TX network standards
 Windows 2000 / XP Plug and Play compatible
 Automatic Jam and auto-negotiation for flow control
 Auto Negotiation and Parallel detection for automatic speed
 detection (IEEE 802.3u)
 High performance 32-bit PCI bus master architecture with
 integrated DMA controller for low CPU and bus utilization
 Remote Wake-up Scheme supported
 Hot Insertion supported

▼ **Firewire IEEE1394(a)**

- Chipset
- Capabilities

TSB43AB22A IEEE1394 OHCI Host Controller and
to 400 Mbps
expandable up to 63 devices in chains

▼ **Storage**

- Hard Drive
- Combo Drive
- DVD±R/±RW or DVD-Dual or DVD-Multi Standards

2.5-inch format hard disk drive
5.25-inch format (12.7mm height) fixed module
(Optional Purchase)
5.25-inch format (12.7mm height) fixed module
(Optional Purchase)

▼ **Keyboard & Touch pad**

- Keyboard
- Touch pad

88-key QWERTY keyboard with embedded numeric keypad and Windows keys, 19.05mm Pitch
Built-in Touch Pad with Disable / Enable Touch Pad button

▼ **Express Card & Multiple Card Reader**

- Chipset
- Express Card
- 4-in-1 Card Reader Format Support

(PC Card), (Card Reader)
Card TYPE II, Hot insertion and removal supported
Multimedia Card (MMC), Secure Digital Card (SD),
Memory Stick (MS), and MS Pro Card

▼ **Ports and Connectors**

■ Mic-In Port	Microphone-in jack
■ Audio-Out/SPDIF	Headphone / SPDIF jack
■ Firewire	Firewire (IEEE1394) host connector
■ USB2.0 Port	USB2.0-compliant connectors
■ Ethernet	standard network Ethernet connector (RJ-45)
■ Modem	modem / phone connector (RJ11)
■ S-Video	S-video (TV-out) output connector
■ Power-In	DC-in connector
■ DVI-I Port	DVI-I video connector
■ Card Reader	4-in-1 Card Reader slot
■ PC Card Slot	PC Card Slot (type II)
■ CIR Port	Consumer IR Lens/receiver
■ VR Dial	VR Dial for audio/speaker volume

▼ **Battery Pack / AC Adapter**

■ Primary Battery Pack	Li-ion 8-Cell pack, 14.8V x 4400 mAh
■ Feature	<ul style="list-style-type: none"> Low battery state with low battery warning beep Supports SmartPower III Power Management Smart Battery Compliant; low battery warning beep Supports Battery Life Mode and Silent Mode
■ Adapter AC-Input / DC-Output	Supports sensing AC-in 100~240V, DC-out 20V, 120W or 90W

▼ BIOS

- PnP Function
- Self Test
- Auto Detection
- Power Management
- Security
- Other Features

Full PnP BIOS
 Power On Self Test
 RAM auto-detection, auto-sizing
 Cache auto-detection
 Hard disk type auto-detection
 ACPI 1.2 (Advanced Power Management) &
 ACPI 2.0 (Advanced Configuration Power Interface)
 Two Level Password Protections
 Bit access, Ultra DMA, PIO5 Mode support
 Multi-boot capability

- O/S

Compatible with Microsoft Windows 2000 / XP / DOS

▼ Physical Specification

- Dimension
- Weight
- Environmental Limits

8 (W) x 289 (D) x 25-38.1 (H) mm
 3 lbs / 4 KG (with 17"LCD, DVD-ROM Drive, and 8-cell
 battery pack)
 Operating Temperature: 5 to 30°C (41 to 86°F)
 Operating Humidity: 20 to 80 percent RH (5 to 35°C)
 Storage Temperature: -15 to 50°C (-5 to 122°F)

A P P E N D I X ▼ B

AGENCY REGULATORY NOTICES

Federal Communications Commission Notice

This equipment has been tested and found to comply with the limits for a Class B digital device, pursuant to Part 15 of the FCC Rules. These limits are designed to provide reasonable protection against harmful interference in a residential installation. This equipment generates, uses, and can radiate radio frequency energy and, if not installed and used in accordance with the instructions, may cause harmful interference to radio communications. However, there is no guarantee that interference will not occur in a particular installation. If this equipment does cause harmful interference to radio or television reception, which can be determined by turning the equipment off and on, the user is encouraged to try to correct the interference by one or more of the following measures:

- Reorient or relocate the receiving antenna.
- Increase the separation between the equipment and the receiver.
- Connect the equipment into an outlet on a circuit different from that to which the receiver is connected.
- Consult the dealer or an experienced radio or television technician for help.

This device complies with Part 15 of the FCC Rules. Operation is subject to the following two conditions: (1) This device may not cause harmful interference, and (2) this device must accept any interference received, including interference that may cause undesired operation.

FCC Caution: Any changes or modifications not expressly approved by the party responsible for compliance could void the user's authority to operate this equipment.

IMPORTANT NOTE:

FCC Radiation Exposure Statement:

This equipment complies with FCC radiation exposure limits set forth for an uncontrolled environment. End users must follow the specific operating instructions for satisfying RF exposure compliance.

This transmitter must not be co-located or operating in conjunction with any other antenna or transmitter.

"Alienware declare that M-5700 series (with wireless card: Intel WM3B2200BG) is limited in CH1~CH11 by specified firmware controlled in USA."

As long as conduction above is met, further transmitter test will not be required. However, the OEM integrator is still responsible for testing their end-product for any additional compliance requirements required with this module installed (for Notebook).

IMPORTANT NOTE: In the event that these conditions can not be met (for example certain laptop configurations or co-location with another transmitter), then the FCC authorization is no longer considered valid and the FCC ID can not be used on the final product. In these circumstances, the OEM integrator will be responsible for re-evaluating the end product (including the transmitter) and obtaining a separate FCC authorization.

End Product Labeling

The final end product must be labeled in a visible area with the following:
“Contains TX FCC ID: PD9WM3B2200BG

Manual Information That Must be Included

The OEM integrator has to be aware not to provide information to the end user regarding how to install or remove this RF module in the users manual of the end product which integrate this module.

The users manual for OEM integrators must include the following information in a prominent location “ IMPORTANT NOTE: To comply with FCC RF exposure compliance requirements. The antenna must not be co-located or operating in conjunction with any other antenna or transmitter.

Modifications

The FCC requires the user to be notified that any changes or modifications made to this device that are not expressly approved by the Manufacture may void the user’s authority to operate the equipment.

Connections to Peripheral Devices

Connections to this device must be made with shielded cables with metallic RFI/EMI connector hoods to maintain compliance with FCC Rules and Regulations.

Declaration of Conformity

This device complies with Part 15(CLASS B)/68 the FCC Rules. Operation is subject to the following two conditions: (1) this device may not cause harmful interference, and (2) this device must accept any interference received, including interference that may cause undesired operation.

European Notice

Products with the CE Marking comply with both the EMC Directive (89/336/EEC) and the Low Voltage Directive (73/23/EEC) and R&TTE Directive (1999/5/EC) issued by the Commission of the European Community.

Compliance with these directives implies conformity to the following European Norms:

- EN55022 : 1998+A1: 2000+A2: 2003, CLASS B
- EN61000-3-2 : 2000
- EN61000-3-3 : 1995+A1: 2001
- EN55024 : 1998+A1 : 2001+A1: 2003
- IEC61000-4-2: 2001
- IEC61000-4-3:2002+A1:2002
- IEC61000-4-4:1995+A1:2000+A2:2001
- IEC61000-4-5:2001
- IEC61000-4-6:2001
- IEC61000-4-8:2001
- IEC61000-4-11:2001
- EN50082 (IEC801-2, IEC801-3, IEC801-4) Electro-magnetic Immunity
- EN 300 328-2, EN 300 328-1, EN 301 489-1, EN 301 489-17 (ETSI 300 328, ETSI 301 489) Electro-magnetic Compatibility and Radio Spectrum Matter.
- TBR21 (ETSI TBR21) Terminal Equipment.
- EN60950 (IEC950) I.T.E. Product Safety

Canadian Notice

This digital apparatus does not exceed the Class B limits for radio noise emissions from digital apparatus as set out in the radio interference regulations of the Canadian Department of Communications.

Le present appareil numerique nemet pas de bruits radioelectriques depassant les limites applicables aux appareils numeriques de Classe B prescrites dans le reglement sur le brouillage radioelectrique edicte par le Ministere des Communications du Canada.

Power Cord Requirement

The power cord supplied with the AC adapter should match the plug and voltage requirements for your local area. Regulatory approval for the AC adapter has been obtained using the power cord for the local area. However, if you travel to a different area and need to connect to a different outlet or voltage, you should use one of the power cords listed below. To purchase a

power cord (including one for a country not listed below) or a replacement ac adapter, contact your local dealer.

U.S. and Canada

- The cord set must be UL-Listed and CSA-Certified or C-UL Listed.
- The minimum specifications for the flexible cord are (1) No. 18 AWG, (2) Type SJ, and (3) 3-conductor.
- The cord set must have a rated current capacity of at least 10 A.
- The attachment plug must be an earth-grounding type with a NEMA 5-15P (15A, 125V) or NEMA 6-15P (15 A, 250V) configuration.

Japan

- All components of the cord set (cord, connector, and plug) must bear a `PSE` mark and registration number in accordance with the Japanese Dentori Law.
- The minimum specification for the flexible cord are: (1) 0.75 mm² conductors, (2) Type VCT or VCTF, and (3) 3-conductor.
- The cord set must have minimum rated current capacity of 7 A.
- The attachment plug must be a two-pole, grounded type with a Japanese Industrial Standard C8303 (15 A, 125 VAC) configuration.

Other Countries

- The cord set fittings must bear the certification mark of the agency responsible for evaluation in a specific country. Acceptable agencies are:
 - BSI (UK)
 - OVE (Australia)
 - CEBEC (Belgium)
 - SEMKO (Sweden)
 - FIMKO (Finland)
 - DEMKO (Denmark)
 - NEMKO (Norway)
 - SETI (Finland)
 - EANSW (Australia)
 - SEV (Switzerland)
 - IMQ (Italy)
 - UTE (France)
 - CCC (China)
 - PSB (Singapore)
 - PSE (Japan)
 - BSMI (Taiwan)
 - B (Polish)
 - VDE (Germany)

SASO (Saudi Arabia)

- The flexible cord must be of a HAR (harmonized) type HO5VV-F 3-conductor cord with a minimum conductor size of 0.03 square inches.
- The minimum specification for the flexible cord for Class II product are: (1) 2X0.75 mm² conductors, (2) 2-conductor cord.
- The cord set must have a current capacity of at least 10 A and a nominal voltage rating of 125 / 250 VAC.

CAUTION: MODEL M-5700 series IS DESIGNED TO USE WITH THE FOLLOWING AC ADAPTER MODEL ONLY
Manufacture: LITE-ON ELECTRONICS, INC.; LI SHIN INTERNATIONAL ENTERPRISE CORP.
Model:, PA-1121-22 (120W), 0227A20120 (120W)

Telephone lines requirement

- The appropriate utilization of 26AWG telephone line cord on unit.
- CAUTION: Always disconnect all telephone lines from the wall outlet before servicing or disassembling this equipment.
- CAUTION: To reduce the risk of fire, use only No. 26AWG or larger telecommunication line cord.

Battery Pack Safety

- The battery pack is intended to use only with this notebook.
- Do not disassemble the pack.
- Do not dispose of the battery pack in fire or water.
- To avoid risk of fire, burns, or damage to your battery pack, do not allow a metal object to touch the battery contacts.
- Handle a damaged or leaking battery with extreme care. If you come in contact with the electrolyte, wash the exposed area with soap and water. If it contacts the eye, flush the eye with water for 15 minutes and seek medical attention.
- Do not charge the battery pack if the ambient temperature exceeds 45 (113).
- To obtain a replacement battery, contact your local dealer.
- Do not expose the battery pack to high storage temperatures (above 60 , 140).
- When discarding a battery pack, contact your local waste disposal provider regarding local restrictions on the disposal or recycling of batteries.
- Use only supplied AC Adapter for charging.

CAUTION: Danger of explosion if battery is incorrectly replaced. Replace only with same or equivalent type recommended by the manufacturer. Discard used batteries according to the manufacturer's instructions or local laws.

VORSICHT! Explosionsgefahr bei unsachgemäßen Austausch der Batterie. Ersatz nur durch denselben oder einem vom Hersteller empfohlenem ähnlichen Typ. Entsorgung gebrauchter Batterien nach Angaben des Herstellers.

Laser Safety

The optical drive used with this computer is certified as a Class 1 laser device according to the U.S. Department of Health and Human Services (DHHS) Radiation Performance Standard and International Standards IEC 825 / IEC 825-1 (EN60825 / EN60825-1). The device is not considered harmful, but the following precautions are recommended:

- Do not open the unit.
- Avoid direct exposure to the laser beam.
- If the unit requires service, contact an authorized service center.
- Ensure proper use by reading and following the instructions carefully.
- Do not attempt to make any adjustment of the unit.

CLASS 1 LASER PRODUCT

APPAREIL A LASER DE CLASSE 1

LASERSCHUTZKLASSE 1 PRODUKT

Warning!

Do not attempt to disassemble the cabinet containing the laser. The laser beam used in this product is harmful to the eyes. The use of optical instruments, such as magnifying lenses, with this product increase the potential hazard to your eyes. For your safety, have this equipment serviced only by an authorized service provider.

Lithium battery warning / Bridge battery warning

This computer contains a lithium battery to power the clock and calendar circuitry.

CAUTION: Danger of explosion if battery is replaced incorrectly. Replace only with the same or equivalent type recommended by the manufacturer. Discard used batteries according to the manufacturer's instructions.

ATTENTION: Il y a danger d'explosion s'il y a un remplacement incorrect de la batterie. Remplacer uniquement avec une batterie du même type ou d'un type recommandé par le constructeur. Mettre au rebut les batteries usagées conformément aux instructions du fabricant.

VORSICHT! Explosionsgefahr bei unsachgemäßen Austausch der Batterie. Ersatz nur durch denselben oder einem vom Hersteller empfohlenem ähnlichen Typ. Entsorgung gebrauchter Batterien nach Angaben des Herstellers.

Der Arbeitsplatzbezogene Schalldruckpegel nach DIN 45 635 beträgt 70dB (A) oder weniger.

Zum Netzanschluss dieses Gerätes ist eine geprüfte Leitung zu verwenden. Für einen Nennstrom bis 6A und einem Gerategewicht größer 3kg ist eine Leitung nicht leichter als (1)H05VV-F, 3G, 0.75mm² (2)2X0.75 mm² conductors einzusetzen.

Die Steckdose muß nahe dem Gerät angebracht und leicht zugänglich sein.



When you see this symbol, be careful as this spot may be very hot.

APPENDIX ▼ C

CyberLink Power Cinema Guide

Copyright and Disclaimer

All rights reserved. No part of this publication may be reproduced, stored in a retrieval system, or transmitted in any form or by any means electronic, mechanical, photocopying, recording, or otherwise without the prior written permission of CyberLink Corporation.

To the extent allowed by law, POWERCINEMA IS PROVIDED “AS IS”, WITHOUT WARRANTY OF ANY KIND, EITHER EXPRESS OR IMPLIED, INCLUDING WITHOUT LIMITATION ANY WARRANTY FOR INFORMATION, SERVICES, OR PRODUCTS PROVIDED THROUGH OR IN CONNECTION WITH POWERCINEMA AND ANY IMPLIED WARRANTIES OF MERCHANTABILITY, FITNESS FOR A PARTICULAR PURPOSE, EXPECTATION OF PRIVACY, OR NONINFRINGEMENT.

BY USING THIS SOFTWARE, YOU AGREE THAT CYBERLINK WILL NOT BE LIABLE FOR ANY DIRECT, INDIRECT, OR CONSEQUENTIAL LOSS ARISING FROM THE USE OF THIS SOFTWARE OR MATERIALS CONTAINED EITHER IN THIS PACKAGE.

The terms and conditions here under shall be governed and construed in accordance with the laws of Taiwan.

PowerCinema is a registered trademark along with other company and product names mentioned in this publication, used for identification purposes and remain the exclusive property of their respective owners.

International Headquarters

Mailing Address

CyberLink Corporation
15F, #100, Min Chuan Road, Hsin Tian City
Taipei County, Taiwan, R.O.C.

Web Site

www.gocyberlink.com

Phone Numbers

Telephone: 886-2-8667-1298

Fax: 886-2-8667-1300

Copyright © 1999-2005 CyberLink Corporation

Contents

Overview	1
Finding and Playing Content	2
Settings	3
Eject	3
Power Off	3
Battery Status	4
Audio CD	5
Listening to Audio CDs	6
DVD/VCD	7
Playing DVD/VCDs	8
Music Clips	9
Playing Music Clips	10
Photos	11
Viewing Photos	12
Video Clips	13
Viewing Video Clips	14

PowerCinema Linux Licensing Information	15
License Disclaimer	16
Downloading Source Code	16
List of Components	17
Licenses and Copyrights	19
GNU General Public License	19
GNU Lesser General Public License	26
GNU Library General Public License	38
autofs Copyright	48
FreeType Project License	49
grubinstall README	52
ion_install Copyright	55
libc License	55
libjpeg README	56
LILO Copyright	56
ncurses Announcement	58
Note	72
Python License	72
util-linux Copyright	79
xorg License	80
zlib README	101
Appendix	105
Hotkeys	106
Technical Support	107
Web Support	107
Fax Support	107

■ **CyberLink Power Cinema Guide**

Telephone Support	108
Index	109

Chapter 1:

Overview

PowerCinema is an integrated player for Audio CDs, music clips, photos, DVD/VCD movies, and video clips. To watch or listen to different types of media, click a content button on the main page. The corresponding function opens, allowing you to enjoy the type of media you have selected.

Finding and Playing Content

Click or press **Enter** to open folders and to play or view media files.

To go up a folder level, click the onscreen up arrow. To return to a previous screen within a media function, click **Return**. Use the **Up**, **Down**, **Left**, and **Right** buttons to navigate within PowerCinema.

To return to the Welcome page from within a media function, click the **Backspace** key on the keyboard or press the **Back** button on the remote.

Settings

Click the **Settings** button on the Home page to open the Settings page.

DVD SPDIF...: Select the **DVD AC3/SPDIF** option for multi-channel sound. Select the **DVD PCM/SPDIF** option for 2-channel sound.

Language: Select the language you want to use for display in PowerCinema, then return to the main menu in order for the selection to take effect.

Eject

Click **Eject** to open your computer's CD/DVD ROM tray.

Power Off

Click **Power Off** to turn off your computer.

Battery Status

A battery icon appears on the Welcome page, indicating the power source (battery or AC adapter) your computer is currently using.

The icon appears as follows:



Your computer is currently using the battery. Approximate battery life is displayed next to the icon.



Your computer is currently using the AC adapter (and simultaneously charging the battery).

Audio CD

PowerCinema provides functions that allow you to listen to music on CD. For convenient access to your Audio CD collection, click the **Audio CD** button on the Home page.

Listening to Audio CDs

Insert a CD, then click the **Audio CD** button on the Home page to display the Audio CD function. CD music is listed by track order.

Click a track to play it or click **Play All** to play all of the listed tracks.

Click **Repeat All** to continue listening to all of the tracks after they have all been played.

Click **Stop** to stop music playback.

To navigate in the list of tracks, click **Next** or **Previous**.

Note: When you exit this function, music playback stops.

Chapter 3:

DVD/VCD

If your computer came with a DVD drive, you can play movies from DVDs and Video CDs (VCDs or SVCDs) with the DVD/VCD function in PowerCinema. This player has the features and controls of a normal living-room DVD player.

Playing DVD/VCDs

Insert a movie disc to begin playback. Whenever you move the mouse during playback, player controls appear at the bottom of the screen. These player controls include the following: **Play** (plays the movie), **Stop** (stops movie playback), **Pause** (pauses movie playback), **Next** (jumps to the next movie chapter), **Previous** (jumps to the previous movie chapter), **Fast Forward** (fast forwards movie playback), **Rewind** (rewinds movie playback), **Main Menu** (goes to the disc's main menu), and **Quit** (returns to the Welcome page). These controls automatically disappear several seconds after the mouse stops moving.

Chapter 4:

Music Clips

For convenient access to your music collection, click the **Music Clips** button on the Home page. Use this function to listen to music files in MP3, WAV, and WMA formats.

Playing Music Clips

Click **Device** to select a media source. You can select **USB** (for media on a removable device), or **Hard Drive** (for media located in hard drive folders).

Select the folder that contains the music you want to listen to. Folder contents are listed alphabetically.

Click a music clip to play it or click **Play All** to play all of the clips displayed.

Click **Repeat All** to continue listening to all of the listed music clips after they have all been played.

Click **Stop** to stop music playback.

To navigate in the list of clips, click **Next** or **Previous**.

Click **Eject** to open your computer's CD/DVD ROM tray.

Note: When you exit this function, music playback continues.

Chapter 5:

Photos

PowerCinema lets you view digital pictures, either individually or as a slide show, from any available drive on your computer. Use this function to view photo files in BMP, JPG, and PNG formats. Click the **Photos** button on the Home page to show the Photos main page.

Viewing Photos

Click **Device** to select a media source. You can select **CD-ROM** (for media on a CD), **USB** (for media on a removable device), or **Hard Drive** (for media located in hard drive folders).

Click on a folder to open it, or click a photo to view it.

To view a slide show, open the folder containing the pictures you want to view, then click the **Play slide show** button. The slide show is played at full screen. When the **Subfolders** option is selected, images in all of the subfolders contained in the selected directory are also displayed in the slide show. When this option is not selected, the slide show plays only the photos in the directory you have selected. Press the **Esc** or **Backspace** key on the keyboard to exit the slide show.

Chapter 6:

Video Clips

Use this function to watch video files in AVI, M1V, M2V, MPG, MPEG, VOB, and WMV formats. To open the Videos function, click the **Video Clips** button on the Home page.

Note: The Videos function is designed for video file playback of MPEG-1, MPEG-2 (if DVD drive is factory installed), AVI, and WMV files. If you want to watch a DVD or VCD, open the **DVD/VCD** function on the Home page.

Viewing Video Clips

The Videos page shows the video files in the content area on the right side. They are organized by folders and a thumbnail image shows the first frame of the video.

Click **Device** to select a media source. You can select **CD-ROM** (for media on a CD), **USB Device** (for media on a removable device), or **Hard Drive** (for media located in hard drive folders).

Click a video clip to play it at full screen.

Click **Eject** to open your computer's CD/DVD ROM tray.

PowerCinema Linux

Licensing Information

This document contains Linux licensing information, including a copy of the GNU General Public License, the GNU Lesser General Public License, and the GNU Library General Public License, in addition to other copyright information and licenses. There is also a list of the third-party components and information on how to download them.

This document contains the following sections:

- "License Disclaimer" on page 16
- "Downloading Source Code" on page 16
- "List of Components" on page 17
- "Licenses and Copyrights" on page 19

License Disclaimer

This product includes certain copyrighted third-party software components licensed under the terms of the GNU General Public License, PSF LICENSE AGREEMENT FOR PYTHON 2.3, and other similar license agreements offering free distribution of these software components offered by organizations such as Free Software Foundation, Python Software Foundation, the X.Org Foundation, etc. Copies of these license agreements can be found by clicking the link associated with each of the component provided in the table below. You may also visit <http://www.gnu.org/copyleft/gpl.html> for a copy of GNU General Public License agreement.

GPL components and other components listed below are licensed without warranties of any kinds, either express or implied warranties, including without limitation the implied warranty of merchantability and fitness for a particular purpose. The entire risk as the quality and performance of these components is with you. Please check the respective license agreements for more details. Copyright holders under GPL and/or other license agreements mentioned herein shall not be responsible for any damages, general, special, incidental or consequential, arising out of the use or inability to use these components/software. Please check the respective license agreement for more details. For the list of components of such nature, and to acquire the full source code of these licensed components, including any scripts to control

compilation and installation of the object code, please see "List of Components" on page 17.

Downloading Source Code

You can download the machine-readable source code of the corresponding licensed component from http://www.gocyberlink.com/pcmlinuxgpl_targa.htm. Please pay attention to the copyright notice, warranty disclaimer and a copy of license agreement accompanying these source codes.

List of Components

Component	Licensing Information
acpid	GNU General Public License
alsa_driver	GNU General Public License
alsa_lib	GNU Lesser General Public License
autofs	autofs Copyright GNU General Public License
Busybox	GNU General Public License
dialog	GNU General Public License
ffmpeg	GNU Lesser General Public License
Freetype	FreeType Project License GNU General Public License
glib	GNU Lesser General Public License
GRUB	GNU General Public License
GRUB_install	grubinstall README
gtk	GNU Library General Public License
ion_install	ion_install Copyright GNU General Public License grubinstall README zlib README
Kernel	Note GNU General Public License
libc	libc License GNU Lesser General Public License

■ CyberLink Power Cinema Guide

libjpeg	libjpeg README
LILO	LILO Copyright
ncurses	ncurses Announcement
Python	Python License
SDL	GNU Library General Public License
syslinux	GNU General Public License

Component	Licensing Information
util-linux	util-linux Copyright GNU General Public License
xorg	xorg License
zlib	zlib README

Licenses and Copyrights

Below are the applicable licenses and copyright information that pertain to the components listed in the previous section.

GNU General Public License

Version 2, June 1991

Copyright (C) 1989, 1991 Free Software Foundation, Inc.

59 Temple Place Suite 330, Boston, MA 02111-1307, USA

Everyone is permitted to copy and distribute verbatim copies of this license document, but changing it is not allowed.

Preamble

The licenses for most software are designed to take away your freedom to share and change it. By contrast, the GNU General Public License is intended to guarantee your freedom to share and change free software--to make sure the software is free for all its users. This General Public License applies to most of the Free Software Foundation's software and to any other program whose authors commit to using it. (Some other Free Software Foundation software is covered by the GNU General Public License instead.) You can apply it to your programs, too.

When we speak of free software, we are referring to freedom, not price. Our General Public Licenses are designed to make sure that

you have the freedom to distribute copies of free software (and charge for this service if you wish), that you receive source code or can get it if you want it, that you can change the software or use pieces of it in new free programs; and that you know you can do these things.

To protect your rights, we need to make restrictions that forbid anyone to deny you these rights or to ask you to surrender the rights. These restrictions translate to certain responsibilities for you if you distribute copies of the software, or if you modify it.

For example, if you distribute copies of such a program, whether gratis or for a fee, you must give the recipients all the rights that you have. You must make sure that they, too, receive or can get the source code. And you must show them these terms so they know their rights.

We protect your rights with two steps: (1) copyright the software, and (2) offer you this license which gives you legal permission to copy, distribute and/or modify the software.

Also, for each author's protection and ours, we want to make certain that everyone understands that there is no warranty for this free software. If the software is modified by someone else and passed on, we want its recipients to know that what they have is not the original, so that any problems introduced by others will not reflect on the original authors' reputations.

Finally, any free program is threatened constantly by software patents. We wish to avoid the danger that redistributors of a free program will individually obtain patent licenses, in effect making the program proprietary. To prevent this, we have made it clear that any patent must be licensed for everyone's free use or not licensed at all.

The precise terms and conditions for copying, distribution and modification follow.

TERMS AND CONDITIONS FOR COPYING, DISTRIBUTION AND MODIFICATION

0. This License applies to any program or other work which contains a notice placed by the copyright holder saying it may be

distributed under the terms of this General Public License. The “Program”, below, refers to any such program or work, and a “work based on the Program” means either the Program or any derivative work under copyright law: that is to say, a work containing the Program or a portion of it, either verbatim or with modifications and/or translated into another language. (Hereinafter, translation is included without limitation in the term “modification”.) Each licensee is addressed as “you”.

Activities other than copying, distribution and modification are not covered by this License; they are outside its scope. The act of running the Program is not restricted, and the output from the Program is covered only if its contents constitute a work based on the Program (independent of having been made by running the Program). Whether that is true depends on what the Program does.

1. You may copy and distribute verbatim copies of the Program's source code as you receive it, in any medium, provided that you conspicuously and appropriately publish on each copy an appropriate copyright notice and disclaimer of warranty; keep intact all the notices that refer to this License and to the absence of any warranty; and give any other recipients of the Program a copy of this License along with the Program.

You may charge a fee for the physical act of transferring a copy, and you may at your option offer warranty protection in exchange for a fee.

2. You may modify your copy or copies of the Program or any portion of it, thus forming a work based on the Program, and copy and distribute such modifications or work under the terms of Section 1 above, provided that you also meet all of these conditions:
 - a) You must cause the modified files to carry prominent notices stating that you changed the files and the date of any change.
 - b) You must cause any work that you distribute or publish, that in whole or in part contains or is derived from the Program or any part thereof, to be licensed as a whole at no charge to all third parties under the terms of this License.

- c) If the modified program normally reads commands interactively when run, you must cause it, when started running for such interactive use in the most ordinary way, to print or display an announcement including an appropriate copyright notice and a notice that there is no warranty (or else, saying that you provide a warranty) and that users may redistribute the program under these

conditions, and telling the user how to view a copy of this License.

(Exception: if the Program itself is interactive but does not normally print such an announcement, your work based on the Program is not required to print an announcement.)

These requirements apply to the modified work as a whole. If identifiable sections of that work are not derived from the Program, and can be reasonably considered independent and separate works in themselves, then this License, and its terms, do not apply to those sections when you distribute them as separate works. But when you distribute the same sections as part of a whole which is a work based on the Program, the distribution of the whole must be on the terms of this License, whose permissions for other licensees extend to the entire whole, and thus to each and every part regardless of who wrote it.

Thus, it is not the intent of this section to claim rights or contest your rights to work written entirely by you; rather, the intent is to exercise the right to control the distribution of derivative or collective works based on the Program.

In addition, mere aggregation of another work not based on the Program with the Program (or with a work based on the Program) on a volume of a storage or distribution medium does not bring the other work under the scope of this License.

- 3.** You may copy and distribute the Program (or a work based on it, under Section 2) in object code or executable form under the terms of Sections 1 and 2 above provided that you also do one of the following:
 - a)** Accompany it with the complete corresponding machine-readable source code, which must be distributed under the terms of Sections 1 and 2 above on a medium customarily used for software interchange; or,
 - b)** Accompany it with a written offer, valid for at least three years, to give any third party, for a charge no more than your cost of physically performing source distribution, a complete machine-readable copy of the corresponding source code, to be distributed under the terms of Sections 1 and 2 above on a medium customarily used for software interchange; or,

- c) Accompany it with the information you received as to the offer to distribute corresponding source code. (This alternative is allowed only for noncommercial distribution and only if you received the program in object code or executable form with such an offer, in accord with Subsection b above.)

The source code for a work means the preferred form of the work for making modifications to it. For an executable work, complete source code means all the source code for all modules it contains, plus any associated interface definition files, plus the scripts used to control compilation and installation of the executable.

However, as a special exception, the source code distributed need not include anything that is normally distributed (in either source or binary form) with the major components (compiler, kernel, and so on) of the operating system on which the executable runs, unless that component itself accompanies the executable.

If distribution of executable or object code is made by offering access to copy from a designated place, then offering equivalent access to copy the source code from the same place counts as distribution of the source code, even though third parties are not compelled to copy the source along with the object code.

4. You may not copy, modify, sublicense, or distribute the Program except as expressly provided under this License. Any attempt otherwise to copy, modify, sublicense or distribute the Program is void, and will automatically terminate your rights under this License. However, parties who have received copies, or rights, from you under this License will not have their licenses terminated so long as such parties remain in full compliance.
5. You are not required to accept this License, since you have not signed it. However, nothing else grants you permission to modify or distribute the Program or its derivative works. These actions are prohibited by law if you do not accept this License. Therefore, by modifying or distributing the Program (or any work based on the Program), you indicate your acceptance of this License to do so, and all its terms and conditions for copying, distributing or modifying the Program or works based on it.
6. Each time you redistribute the Program (or any work based on

the Program), the recipient automatically receives a license from the original licensor to copy, distribute or modify the Program subject to these terms and conditions. You may not impose any further restrictions on the recipients' exercise of the rights granted herein. You are not responsible for enforcing compliance by third parties to this License.

7. If, as a consequence of a court judgment or allegation of patent infringement or for any other reason (not limited to patent issues), conditions are imposed on you (whether by court order, agreement or otherwise) that contradict the conditions of this License, they do not excuse you from the conditions of this License. If you cannot distribute so as to satisfy simultaneously your obligations under this License and any other pertinent obligations, then as a consequence you may not distribute the Program at all. For example, if a patent license would not permit royalty-free redistribution of the Program by all those who receive copies directly or indirectly through you, then the only way you could satisfy both it and this License would be to refrain entirely from distribution of the Program.

If any portion of this section is held invalid or unenforceable under any particular circumstance, the balance of the section is intended to apply and the section as a whole is intended to apply in other circumstances.

It is not the purpose of this section to induce you to infringe any patents or other property right claims or to contest validity of any such claims; this section has the sole purpose of protecting the integrity of the free software distribution system, which is implemented by public license practices. Many people have made generous contributions to the wide range of software distributed through that system in reliance on consistent application of that system; it is up to the author/donor to decide if he or she is willing to distribute software through any other system and a licensee cannot impose that choice.

This section is intended to make thoroughly clear what is believed to be a consequence of the rest of this License.

8. If the distribution and/or use of the Program is restricted in certain countries either by patents or by copyrighted interfaces, the original copyright holder who places the Program under this License may add an explicit geographical distribution limitation excluding those countries, so that distribution is permitted only in or among countries not thus excluded. In such case, this License incorporates the limitation as if written in the body of

this License.

9. The Free Software Foundation may publish revised and/or new versions of the General Public License from time to time. Such new versions will be similar in spirit to the present version, but may differ in detail to address new problems or concerns.

Each version is given a distinguishing version number. If the Program specifies a version number of this License which applies to it and “any later version”, you have the option of following the terms and conditions either of that version or of any later version published by the Free Software Foundation. If the Program does not specify a version number of this License, you may choose any version ever published by the Free Software Foundation.

10. If you wish to incorporate parts of the Program into other free programs whose distribution conditions are different, write to the author to ask for permission. For software which is copyrighted by the Free Software Foundation, write to the Free Software Foundation; we sometimes make exceptions for this. Our decision will be guided by the two goals of preserving the free status of all derivatives of our free software and of promoting the sharing and reuse of software generally.

NO WARRANTY

11. BECAUSE THE PROGRAM IS LICENSED FREE OF CHARGE, THERE IS NO WARRANTY FOR THE PROGRAM, TO THE EXTENT PERMITTED BY APPLICABLE LAW. EXCEPT WHEN OTHERWISE STATED IN WRITING THE COPYRIGHT HOLDERS AND/OR OTHER PARTIES PROVIDE THE PROGRAM “AS IS” WITHOUT WARRANTY OF ANY KIND, EITHER EXPRESSED OR IMPLIED, INCLUDING, BUT NOT LIMITED TO, THE IMPLIED WARRANTIES OF MERCHANTABILITY AND FITNESS FOR A PARTICULAR PURPOSE. THE ENTIRE RISK AS TO THE QUALITY AND PERFORMANCE OF THE PROGRAM IS WITH YOU. SHOULD THE PROGRAM PROVE DEFECTIVE, YOU ASSUME THE COST OF ALL NECESSARY SERVICING, REPAIR OR CORRECTION.

12. IN NO EVENT UNLESS REQUIRED BY APPLICABLE LAW OR AGREED TO IN WRITING WILL ANY COPYRIGHT HOLDER, OR ANY OTHER PARTY WHO MAY MODIFY AND/OR REDISTRIBUTE THE PROGRAM AS PERMITTED ABOVE, BE LIABLE TO YOU FOR DAMAGES, INCLUDING ANY GENERAL, SPECIAL, INCIDENTAL OR CONSEQUENTIAL DAMAGES ARISING OUT OF THE USE OR INABILITY TO USE THE PROGRAM (INCLUDING BUT NOT LIMITED TO LOSS OF

DATA OR DATA BEING RENDERED INACCURATE OR LOSSES SUSTAINED BY YOU OR THIRD PARTIES OR A FAILURE OF THE PROGRAM TO OPERATE WITH ANY OTHER PROGRAMS), EVEN IF SUCH HOLDER OR OTHER PARTY HAS BEEN ADVISED OF THE POSSIBILITY OF SUCH DAMAGES.

END OF TERMS AND CONDITIONS

GNU Lesser General Public License

Version 2.1, February 1999

Copyright (C) 1991, 1999 Free Software Foundation, Inc. 59
Temple Place, Suite 330, Boston, MA 02111-1307 USA Everyone
is permitted to copy and distribute verbatim copies of this license
document, but changing it is not allowed.

[This is the first released version of the Lesser GPL. It also counts
as the successor of the GNU Library Public License, version 2,
hence the version number 2.1.]

Preamble

The licenses for most software are designed to take away your
freedom to share and change it. By contrast, the GNU General
Public Licenses are intended to guarantee your freedom to share
and change free software--to make sure the software is free for all
its users.

This license, the Lesser General Public License, applies to some
specially designated software packages--typically libraries--of the
Free Software Foundation and other authors who decide to use it.
You can use it too, but we suggest you first think carefully about
whether this license or the ordinary General Public License is the
better strategy to use in any particular case, based on the
explanations below.

When we speak of free software, we are referring to freedom of use, not price. Our General Public Licenses are designed to make sure that you have the freedom to distribute copies of free software (and charge for this service if you wish); that you receive source code or can get it if you want it; that you can change the software and use pieces of it in new free programs; and that you are informed that you can do these things.

To protect your rights, we need to make restrictions that forbid distributors to deny you these rights or to ask you to surrender these rights. These restrictions translate to certain responsibilities for you if you distribute copies of the library or if you modify it.

For example, if you distribute copies of the library, whether gratis or for a fee, you must give the recipients all the rights that we gave you. You must make sure that they, too, receive or can get the source code. If you link other code with the library, you must provide complete object files to the recipients, so that they can relink them with the library after making changes to the library and recompiling it. And you must show them these terms so they know their rights.

We protect your rights with a two-step method: (1) we copyright the library, and (2) we offer you this license, which gives you legal permission to copy, distribute and/or modify the library.

To protect each distributor, we want to make it very clear that there is no warranty for the free library. Also, if the library is modified by someone else and passed on, the recipients should know that what they have is not the original version, so that the original author's reputation will not be affected by problems that might be introduced by others.

Finally, software patents pose a constant threat to the existence of any free program. We wish to make sure that a company cannot effectively restrict the users of a free program by obtaining a restrictive license from a patent holder. Therefore, we insist that any patent license obtained for a version of the library must be consistent with the full freedom of use specified in this license.

Most GNU software, including some libraries, is covered by the ordinary GNU General Public License. This license, the GNU Lesser General Public License, applies to certain designated libraries, and is quite different from the ordinary General Public License. We use this license for certain libraries in order to permit linking those libraries into non-free programs.

When a program is linked with a library, whether statically or using

a shared library, the combination of the two is legally speaking a combined work, a derivative of the original library. The ordinary General Public License therefore permits such linking only if the entire combination fits its criteria of freedom. The Lesser General Public License permits more lax criteria for linking other code with the library.

We call this license the “Lesser” General Public License because it does Less to protect the user's freedom than the ordinary General Public License. It also provides other free software developers Less of an advantage over competing non-free programs. These disadvantages are the reason we use the ordinary General Public License for many libraries. However, the Lesser license provides advantages in certain special circumstances.

For example, on rare occasions, there may be a special need to encourage the widest possible use of a certain library, so that it becomes a de-facto standard. To achieve this, non-free programs must be allowed to use the library. A more frequent case is that a free library does the same job as widely used non-free libraries. In this case, there is little to gain by limiting the free library to free software only, so we use the Lesser General Public License.

In other cases, permission to use a particular library in non-free programs enables a greater number of people to use a large body of free software. For example, permission to use the GNU C Library in non-free programs enables many more people to use the whole GNU operating system, as well as its variant, the GNU/Linux operating system.

Although the Lesser General Public License is Less protective of the users' freedom, it does ensure that the user of a program that is linked with the Library has the freedom and the wherewithal to run that program using a modified version of the Library.

The precise terms and conditions for copying, distribution and modification follow. Pay close attention to the difference between a “work based on the library” and a “work that uses the library”. The former contains code derived from the library, whereas the latter must be combined with the library in order to run.

GNU LESSER GENERAL PUBLIC LICENSE TERMS AND CONDITIONS FOR COPYING, DISTRIBUTION AND MODIFICATION

0. This License Agreement applies to any software library or other program which contains a notice placed by the copyright holder or other authorized party saying it may be distributed under the terms of this Lesser General Public License (also called “this License”). Each licensee is addressed as “you”.

A “library” means a collection of software functions and/or data prepared so as to be conveniently linked with application programs (which use some of those functions and data) to form executables.

The “Library”, below, refers to any such software library or work which has been distributed under these terms. A “work based on the Library” means either the Library or any derivative work under copyright law: that is to say, a work containing the Library or a portion of it, either verbatim or with modifications and/or translated straightforwardly into another language. (Hereinafter, translation is included without limitation in the term “modification”.)

“Source code” for a work means the preferred form of the work for making modifications to it. For a library, complete source code means all the source code for all modules it contains, plus any associated interface definition files, plus the scripts used to control compilation and installation of the library.

Activities other than copying, distribution and modification are not covered by this License; they are outside its scope. The act of running a program using the Library is not restricted, and output from such a program is covered only if its contents constitute a work based on the Library (independent of the use of the Library in a tool for writing it). Whether that is true depends on what the Library does and what the program that uses the Library does.

1. You may copy and distribute verbatim copies of the Library's complete source code as you receive it, in any medium, provided that you conspicuously and appropriately publish on each copy an appropriate copyright notice and disclaimer of warranty; keep intact all the notices that refer to this License and to the absence of any warranty; and distribute a copy of this License along with the Library.

You may charge a fee for the physical act of transferring a copy, and you may at your option offer warranty protection in exchange for a fee.

2. You may modify your copy or copies of the Library or any portion of it, thus forming a work based on the Library, and copy and distribute such modifications or work under the terms of Section 1 above, provided that you also meet all of these conditions:
 - a) The modified work must itself be a software library.
 - b) You must cause the files modified to carry prominent notices stating that you changed the files and the date of any change.
 - c) You must cause the whole of the work to be licensed at no charge to all third parties under the terms of this License.
 - d) If a facility in the modified Library refers to a function or a table of data to be supplied by an application program that uses the facility, other than as an argument passed when the facility is invoked, then you must make a good faith effort to ensure that, in the event an application does not supply such function or table, the facility still operates, and performs whatever part of its purpose remains meaningful.

(For example, a function in a library to compute square roots has a purpose that is entirely well-defined independent of the application. Therefore, Subsection 2d requires that any application-supplied function or table used by this function must be optional: if the application does not supply it, the square root function must still compute square roots.)

These requirements apply to the modified work as a whole. If identifiable sections of that work are not derived from the Library, and can be reasonably considered independent and separate works in themselves, then this License, and its terms, do not apply to those sections when you distribute them as separate works. But when you distribute the same sections as part of a whole which is a work based on the Library, the distribution of the whole must be on the terms of this License, whose permissions for other licensees extend to the entire whole, and thus to each and every part regardless of who wrote it.

Thus, it is not the intent of this section to claim rights or contest your rights to work written entirely by you; rather, the intent is to exercise the right to control the distribution of derivative or collective works based on the Library.

In addition, mere aggregation of another work not based on the Library with the Library (or with a work based on the Library) on a volume of a storage or distribution medium does not bring the

other work under the scope of this License.

3. You may opt to apply the terms of the ordinary GNU General Public License instead of this License to a given copy of the Library. To do this, you must alter all the notices that refer to this License, so that they refer to the ordinary GNU General Public License, version 2, instead of to this License. (If a newer version than version 2 of the ordinary GNU General Public License has appeared, then you can specify that version instead if you wish.) Do not make any other change in these notices.

Once this change is made in a given copy, it is irreversible for that copy, so the ordinary GNU General Public License applies to all subsequent copies and derivative works made from that copy. This option is useful when you wish to copy part of the code of the Library into a program that is not a library.

4. You may copy and distribute the Library (or a portion or derivative of it, under Section 2) in object code or executable form under the terms of Sections 1 and 2 above provided that you accompany it with the complete corresponding machine-readable source code, which must be distributed under the terms of Sections 1 and 2 above on a medium customarily used for software interchange.

If distribution of object code is made by offering access to copy from a designated place, then offering equivalent access to copy the source code from the same place satisfies the requirement to distribute the source code, even though third parties are not compelled to copy the source along with the object code.

5. A program that contains no derivative of any portion of the Library, but is designed to work with the Library by being compiled or linked with it, is called a “work that uses the Library”. Such a work, in isolation, is not a derivative work of the Library, and therefore falls outside the scope of this License.

However, linking a “work that uses the Library” with the Library creates an executable that is a derivative of the Library (because it contains portions of the Library), rather than a “work that uses the library”. The executable is therefore covered by this License. Section 6 states terms for distribution of such executables.

When a “work that uses the Library” uses material from a header file that is part of the Library, the object code for the work may be a derivative work of the Library even though the source code is not. Whether this is true is especially significant if the work can be linked without the Library, or if the work is itself a library. The threshold for this to be true is not precisely defined by law.

If such an object file uses only numerical parameters, data structure layouts and accessors, and small macros and small inline functions (ten lines or less in length), then the use of the object file is unrestricted, regardless of whether it is legally a derivative work. (Executables containing this object code plus portions of the Library will still fall under Section 6.)

Otherwise, if the work is a derivative of the Library, you may distribute the object code for the work under the terms of Section 6.

Any executables containing that work also fall under Section 6, whether or not they are linked directly with the Library itself.

6. As an exception to the Sections above, you may also combine or link a “work that uses the Library” with the Library to produce a work containing portions of the Library, and distribute that work under terms of your choice, provided that the terms permit modification of the work for the customer's own use and reverse engineering for debugging such modifications.

You must give prominent notice with each copy of the work that the Library is used in it and that the Library and its use are covered by this License. You must supply a copy of this License. If the work during execution displays copyright notices, you must include the copyright notice for the Library among them, as well as a reference directing the user to the copy of this License. Also, you must do one of these things:

- a) Accompany the work with the complete corresponding machine-readable source code for the Library including whatever changes were used in the work (which must be distributed under Sections 1 and 2 above); and, if the work is an executable linked with the Library, with the complete machine-readable “work that uses the Library”, as object code and/or source code, so that the user can modify the Library and then relink to produce a modified executable containing the

modified Library. (It is understood that the user who changes the contents of definitions files in the Library will not necessarily be able to recompile the application to use the modified definitions.)

- b) Use a suitable shared library mechanism for linking with the Library. A suitable mechanism is one that (1) uses at run time a copy of the library already present on the user's computer system, rather than copying library functions into the executable, and (2) will operate properly with a modified version of the library, if the user installs one, as long as the modified version is interface-compatible with the version that the work was made with.

- c) Accompany the work with a written offer, valid for at least three years, to give the same user the materials specified in Subsection 6a, above, for a charge no more than the cost of performing this distribution.

- d) If distribution of the work is made by offering access to copy from a designated place, offer equivalent access to copy the above specified materials from the same place.
- e) Verify that the user has already received a copy of these materials or that you have already sent this user a copy.

For an executable, the required form of the “work that uses the Library” must include any data and utility programs needed for reproducing the executable from it. However, as a special exception, the materials to be distributed need not include anything that is normally distributed (in either source or binary form) with the major components (compiler, kernel, and so on) of the operating system on which the executable runs, unless that component itself accompanies the executable.

It may happen that this requirement contradicts the license restrictions of other proprietary libraries that do not normally accompany the operating system. Such a contradiction means you cannot use both them and the Library together in an executable that you distribute.

- 7. You may place library facilities that are a work based on the Library side-by-side in a single library together with other library facilities not covered by this License, and distribute such a combined library, provided that the separate distribution of the

work based on the Library and of the other library facilities is otherwise permitted, and provided that you do these two things:

- a) Accompany the combined library with a copy of the same work based on the Library, uncombined with any other library facilities. This must be distributed under the terms of the Sections above.
 - b) Give prominent notice with the combined library of the fact that part of it is a work based on the Library, and explaining where to find the accompanying uncombined form of the same work.
8. You may not copy, modify, sublicense, link with, or distribute the Library except as expressly provided under this License. Any attempt otherwise to copy, modify, sublicense, link with, or distribute the Library is void, and will automatically terminate your rights under this License. However, parties who have received copies, or rights, from you under this License will not have their licenses terminated so long as such parties remain in full compliance.

9. You are not required to accept this License, since you have not signed it. However, nothing else grants you permission to modify or distribute the Library or its derivative works. These actions are prohibited by law if you do not accept this License. Therefore, by modifying or distributing the Library (or any work based on the Library), you indicate your acceptance of this License to do so, and all its terms and conditions for copying, distributing or modifying the Library or works based on it.

10. Each time you redistribute the Library (or any work based on the Library), the recipient automatically receives a license from the original licensor to copy, distribute, link with or modify the Library subject to these terms and conditions. You may not impose any further restrictions on the recipients' exercise of the rights granted herein. You are not responsible for enforcing compliance by third parties with this License.

11. If, as a consequence of a court judgment or allegation of patent infringement or for any other reason (not limited to patent issues), conditions are imposed on you (whether by court order, agreement or otherwise) that contradict the conditions of this License, they do not excuse you from the conditions of this License. If you cannot distribute so as to satisfy simultaneously your obligations under this License and any other pertinent obligations, then as a consequence you may not distribute the Library at all. For example, if a patent license would not permit

royalty-free redistribution of the Library by all those who receive copies directly or indirectly through you, then the only way you could satisfy both it and this License would be to refrain entirely from distribution of the Library.

If any portion of this section is held invalid or unenforceable under any particular circumstance, the balance of the section is intended to apply, and the section as a whole is intended to apply in other circumstances.

It is not the purpose of this section to induce you to infringe any patents or other property right claims or to contest validity of any such claims; this section has the sole purpose of protecting the integrity of the free software distribution system which is implemented by public license practices. Many people have made generous contributions to the wide range of software distributed through that system in reliance on consistent application of that system; it is up to the author/donor to decide if he or she is willing to distribute software through any other system and a licensee cannot impose that choice.

This section is intended to make thoroughly clear what is believed to be a consequence of the rest of this License.

12. If the distribution and/or use of the Library is restricted in certain countries either by patents or by copyrighted interfaces, the original copyright holder who places the Library under this License may add an explicit geographical distribution limitation excluding those countries, so that distribution is permitted only in or among countries not thus excluded. In such case, this License incorporates the limitation as if written in the body of this License.
13. The Free Software Foundation may publish revised and/or new versions of the Lesser General Public License from time to time. Such new versions will be similar in spirit to the present version, but may differ in detail to address new problems or concerns.

Each version is given a distinguishing version number. If the Library specifies a version number of this License which applies to it and “any later version”, you have the option of following the terms and conditions either of that version or of any later version published by the Free Software Foundation. If the Library does not specify a license version number, you may choose any version ever published by the Free Software Foundation.

14. If you wish to incorporate parts of the Library into other free

programs whose distribution conditions are incompatible with these, write to the author to ask for permission. For software which is copyrighted by the Free Software Foundation, write to the Free Software Foundation; we sometimes make exceptions for this. Our decision will be guided by the two goals of preserving the free status of all derivatives of our free software and of promoting the sharing and reuse of software generally.

NO WARRANTY

15. BECAUSE THE LIBRARY IS LICENSED FREE OF CHARGE, THERE IS NO WARRANTY FOR THE LIBRARY, TO THE EXTENT PERMITTED BY APPLICABLE LAW. EXCEPT WHEN OTHERWISE STATED IN WRITING THE COPYRIGHT HOLDERS AND/OR OTHER PARTIES PROVIDE THE LIBRARY “AS IS” WITHOUT WARRANTY OF ANY KIND, EITHER EXPRESSED OR IMPLIED, INCLUDING, BUT NOT LIMITED TO, THE IMPLIED WARRANTIES OF MERCHANTABILITY AND FITNESS FOR A PARTICULAR PURPOSE. THE ENTIRE RISK AS TO THE QUALITY AND PERFORMANCE OF THE LIBRARY IS WITH YOU. SHOULD THE LIBRARY PROVE DEFECTIVE, YOU ASSUME THE COST OF ALL NECESSARY SERVICING, REPAIR OR CORRECTION.
16. IN NO EVENT UNLESS REQUIRED BY APPLICABLE LAW OR AGREED TO IN WRITING WILL ANY COPYRIGHT HOLDER, OR ANY OTHER PARTY WHO MAY MODIFY AND/OR REDISTRIBUTE THE LIBRARY AS PERMITTED ABOVE, BE LIABLE TO YOU FOR DAMAGES, INCLUDING ANY GENERAL, SPECIAL, INCIDENTAL OR CONSEQUENTIAL DAMAGES ARISING OUT OF THE USE OR INABILITY TO USE THE LIBRARY (INCLUDING BUT NOT LIMITED TO LOSS OF DATA OR DATA BEING RENDERED

INACCURATE OR LOSSES SUSTAINED BY YOU OR THIRD PARTIES OR A FAILURE OF THE LIBRARY TO OPERATE WITH ANY OTHER SOFTWARE), EVEN IF SUCH HOLDER OR OTHER PARTY HAS BEEN ADVISED OF THE POSSIBILITY OF SUCH DAMAGES.

END OF TERMS AND CONDITIONS

How to Apply These Terms to Your New Libraries

If you develop a new library, and you want it to be of the greatest possible use to the public, we recommend making it free software that everyone can redistribute and change. You can do so by permitting redistribution under these terms (or, alternatively, under the terms of the ordinary General Public License).

To apply these terms, attach the following notices to the library. It is safest to attach them to the start of each source file to most effectively convey the exclusion of warranty; and each file should have at least the “copyright” line and a pointer to where the full notice is found.

<one line to give the library's name and a brief idea of what it does.>

Copyright (C) <year> <name of author>

This library is free software; you can redistribute it and/or modify it under the terms of the GNU Lesser General Public License as published by the Free Software Foundation; either version 2 of the License, or (at your option) any later version.

This library is distributed in the hope that it will be useful, but **WITHOUT ANY WARRANTY**; without even the implied warranty of **MERCHANTABILITY** or **FITNESS FOR A**

PARTICULAR PURPOSE. See the "GNU Lesser General Public License" on page 26 for more details.

You should have received a copy of the GNU Lesser General Public License along with this library; if not, write to the Free Software Foundation, Inc., 59 Temple Place, Suite 330, Boston, MA 02111-1307 USA

Also add information on how to contact you by electronic and paper mail.

You should also get your employer (if you work as a programmer) or your school, if any, to sign a "copyright disclaimer" for the library, if necessary. Here is a sample; alter the names:

Yoyodyne, Inc., hereby disclaims all copyright interest in the library `Frob' (a library for tweaking knobs) written by James Random Hacker.

<signature of Ty Coon>, 1 April 1990 Ty Coon, President of Vice
That's all there is to it!

GNU Library General Public License

Version 2, June 1991

Copyright (C) 1991 Free Software Foundation, Inc. 59 Temple Place, Suite 330, Boston, MA 02111-1307 USA Everyone is permitted to copy and distribute verbatim copies of this license document, but changing it is not allowed.

[This is the first released version of the library GPL. It is numbered 2 because it goes with version 2 of the ordinary GPL.]

Preamble

The licenses for most software are designed to take away your freedom to share and change it. By contrast, the GNU General Public Licenses are intended to guarantee your freedom to share and change free software--to make sure the software is free for all its users.

This license, the Library General Public License, applies to some specially designated Free Software Foundation software, and to any other libraries whose authors decide to use it. You can use it for your libraries, too.

When we speak of free software, we are referring to freedom, not price. Our General Public Licenses are designed to make sure that you have the freedom to distribute copies of free software (and charge for this service if you wish), that you receive source code or

can get it if you want it, that you can change the software or use pieces of it in new free programs; and that you know you can do these things.

To protect your rights, we need to make restrictions that forbid anyone to deny you these rights or to ask you to surrender the rights. These restrictions translate to certain responsibilities for you if you distribute copies of the library, or if you modify it.

For example, if you distribute copies of the library, whether gratis or for a fee, you must give the recipients all the rights that we gave you. You must make sure that they, too, receive or can get the source code. If you link a program with the library, you must provide complete object files to the recipients so that they can relink them with the library, after making changes to the library and recompiling it. And you must show them these terms so they know their rights.

Our method of protecting your rights has two steps: (1) copyright the library, and (2) offer you this license which gives you legal permission to copy, distribute and/or modify the library.

Also, for each distributor's protection, we want to make certain that everyone understands that there is no warranty for this free library. If the library is modified by someone else and passed on, we want its recipients to know that what they have is not the original version, so that any problems introduced by others will not reflect on the original authors' reputations.

Finally, any free program is threatened constantly by software patents. We wish to avoid the danger that companies distributing free software will individually obtain patent licenses, thus in effect transforming the program into proprietary software. To prevent this, we have made it clear that any patent must be licensed for everyone's free use or not licensed at all.

Most GNU software, including some libraries, is covered by the ordinary GNU General Public License, which was designed for utility programs. This license, the GNU Library General Public License, applies to certain designated libraries. This license is quite different from the ordinary one; be sure to read it in full, and don't assume that anything in it is the same as in the ordinary license.

The reason we have a separate public license for some libraries is

that they blur the distinction we usually make between modifying or adding to a program and simply using it. Linking a program with a library, without changing the library, is in some sense simply using the library, and is analogous to running a utility program or application program. However, in a textual and legal sense, the linked executable is a combined work, a derivative of the original library, and the ordinary General Public License treats it as such.

Because of this blurred distinction, using the ordinary General Public License for libraries did not effectively promote software sharing, because most developers did not use the libraries. We concluded that weaker conditions might promote sharing better.

However, unrestricted linking of non-free programs would deprive the users of those programs of all benefit from the free status of the libraries themselves. This Library General Public License is intended to permit developers of non-free programs to use free libraries, while preserving your freedom as a user of such programs to change the free libraries that are incorporated in them. (We have not seen how to achieve this as regards changes in header files, but we have achieved it as regards changes in the actual functions of the Library.) The hope is that this will lead to faster development of free libraries.

The precise terms and conditions for copying, distribution and modification follow. Pay close attention to the difference between a “work based on the library” and a “work that uses the library”. The former contains code derived from the library, while the latter only works together with the library.

Note that it is possible for a library to be covered by the ordinary General Public License rather than by this special one.

GNU LIBRARY GENERAL PUBLIC LICENSE TERMS AND CONDITIONS FOR COPYING, DISTRIBUTION AND MODIFICATION

0. This License Agreement applies to any software library which contains a notice placed by the copyright holder or other authorized party saying it may be distributed under the terms of this Library General Public License (also called “this License”). Each licensee is addressed as “you”.

A “library” means a collection of software functions and/or data prepared so as to be conveniently linked with application programs (which use some of those functions and data) to form executables.

The “Library”, below, refers to any such software library or work which has been distributed under these terms. A “work based on

the Library” means either the Library or any derivative work under copyright law: that is to say, a work containing the Library or a portion of it, either verbatim or with modifications and/or translated straightforwardly into another language. (Hereinafter, translation is included without limitation in the term “modification”.)

“Source code” for a work means the preferred form of the work for making modifications to it. For a library, complete source code means all the source code for all modules it contains, plus any associated interface definition files, plus the scripts used to control compilation and installation of the library.

Activities other than copying, distribution and modification are not covered by this License; they are outside its scope. The act of running a program using the Library is not restricted, and output from such a program is covered only if its contents constitute a work based on the Library (independent of the use of the Library in a tool for writing it).

Whether that is true depends on what the Library does and what the program that uses the Library does. 1. You may copy and distribute verbatim copies of the Library's complete source code as you receive it, in any medium, provided that you conspicuously and appropriately publish on each copy an appropriate copyright notice and disclaimer of warranty; keep intact all the notices that refer to this License and to the absence of any warranty; and distribute a copy of this License along with the Library.

You may charge a fee for the physical act of transferring a copy, and you may at your option offer warranty protection in exchange for a fee.

1. You may modify your copy or copies of the Library or any portion of it, thus forming a work based on the Library, and copy and distribute such modifications or work under the terms of Section 1 above, provided that you also meet all of these conditions:
 - a) The modified work must itself be a software library.
 - b) You must cause the files modified to carry prominent notices stating that you changed the files and the date of any change.
 - c) You must cause the whole of the work to be licensed at no

charge to all third parties under the terms of this License.

- d) If a facility in the modified Library refers to a function or a table of data to be supplied by an application program that uses the facility, other than as an argument passed when the facility is invoked, then you must make a good faith effort to ensure that, in the event an application does not supply such function or table, the facility still operates, and performs whatever part of its purpose remains meaningful.

(For example, a function in a library to compute square roots has a purpose that is entirely well-defined independent of the application. Therefore, Subsection 2d requires that any application-supplied function or table used by this function must be optional: if the application does not supply it, the square root function must still compute square roots.)

These requirements apply to the modified work as a whole. If identifiable sections of that work are not derived from the Library, and can be reasonably considered independent and separate works in themselves, then this License, and its terms, do not apply to those sections when you distribute them as separate works. But when you distribute the same sections as part of a whole which is a work based on the Library, the distribution of the whole must be on the terms of this License, whose permissions for other licensees extend to the entire whole, and thus to each and every part regardless of who wrote it.

Thus, it is not the intent of this section to claim rights or contest your rights to work written entirely by you; rather, the intent is to exercise the right to control the distribution of derivative or collective works based on the Library.

In addition, mere aggregation of another work not based on the Library with the Library (or with a work based on the Library) on a volume of a storage or distribution medium does not bring the other work under the scope of this License.

2. You may opt to apply the terms of the ordinary GNU General Public License instead of this License to a given copy of the Library. To do this, you must alter all the notices that refer to this License, so that they refer to the ordinary GNU General Public License, version 2, instead of to this License. (If a newer

version than version 2 of the ordinary GNU General Public License has appeared, then you can specify that version instead if you wish.) Do not make any other change in these notices.

Once this change is made in a given copy, it is irreversible for that copy, so the ordinary GNU General Public License applies to all subsequent copies and derivative works made from that copy. This option is useful when you wish to copy part of the code of the Library into a program that is not a library.

3. You may copy and distribute the Library (or a portion or derivative of it, under Section 2) in object code or executable form under the terms of Sections 1 and 2 above provided that you accompany it with the complete corresponding machine-readable source code, which must be distributed under the terms of Sections 1 and 2 above on a medium customarily used for software interchange.

If distribution of object code is made by offering access to copy from a designated place, then offering equivalent access to copy the source code from the same place satisfies the requirement to distribute the source code, even though third parties are not compelled to copy the source along with the object code.

4. A program that contains no derivative of any portion of the Library, but is designed to work with the Library by being compiled or linked with it, is called a “work that uses the Library”. Such a work, in isolation, is not a derivative work of the Library, and therefore falls outside the scope of this License.

However, linking a “work that uses the Library” with the Library creates an executable that is a derivative of the Library (because it contains portions of the Library), rather than a “work that uses the library”. The executable is therefore covered by this License. Section 6 states terms for distribution of such executables.

When a “work that uses the Library” uses material from a header file that is part of the Library, the object code for the work may be a derivative work of the Library even though the source code is not. Whether this is true is especially significant if the work can be linked without the Library, or if the work is itself a library. The threshold for this to be true is not precisely defined by law.

If such an object file uses only numerical parameters, data structure layouts and accessors, and small macros and small inline functions (ten lines or less in length), then the use of the object file is unrestricted, regardless of whether it is legally a derivative work. (Executables containing this object code plus portions of the Library will still fall under Section 6.)

Otherwise, if the work is a derivative of the Library, you may distribute the object code for the work under the terms of Section 6. Any executables containing that work also fall under Section 6, whether or not they are linked directly with the Library itself.

5. As an exception to the Sections above, you may also compile or link a “work that uses the Library” with the Library to produce a work containing portions of the Library, and distribute that work under terms of your choice, provided that the terms permit modification of the work for the customer's own use and reverse engineering for debugging such modifications.

You must give prominent notice with each copy of the work that the Library is used in it and that the Library and its use are covered by this License. You must supply a copy of this License. If the work during execution displays copyright notices, you must include the copyright notice for the Library among them, as well as a reference directing the user to the copy of this License. Also, you must do one of these things:

- a) Accompany the work with the complete corresponding machine-readable source code for the Library including whatever changes were used in the work (which must be distributed under Sections 1 and 2 above); and, if the work is an executable linked with the Library, with the complete machine-readable “work that uses the Library”, as object code and/or source code, so that the user can modify the Library and then relink to produce a modified executable containing the modified Library. (It is understood that the user who changes the contents of definitions files in the Library will not necessarily be able to recompile the application to use the modified definitions.)
- b) Accompany the work with a written offer, valid for at least three years, to give the same user the materials specified in Subsection 6a, above, for a charge no more than the cost of performing this distribution.
- c) If distribution of the work is made by offering access to copy from a designated place, offer equivalent access to copy the above specified materials from the same place.
- d) Verify that the user has already received a copy of these materials or that you have already sent this user a copy.

For an executable, the required form of the “work that uses the

Library” must include any data and utility programs needed for reproducing the executable from it. However, as a special exception, the source code distributed need not include anything that is normally distributed (in either source or binary form) with the major components (compiler, kernel, and so on) of the operating system on which the executable runs, unless that component itself accompanies the executable.

It may happen that this requirement contradicts the license restrictions of other proprietary libraries that do not normally accompany the operating system. Such a contradiction means you cannot use both them and the Library together in an executable that you distribute.

6. You may place library facilities that are a work based on the Library side-by-side in a single library together with other library facilities not covered by this License, and distribute such a combined library, provided that the separate distribution of the work based on the Library and of the other library facilities is otherwise permitted, and provided that you do these two things:

- a) Accompany the combined library with a copy of the same work based on the Library, uncombined with any other library facilities. This must be distributed under the terms of the Sections above.
 - b) Give prominent notice with the combined library of the fact that part of it is a work based on the Library, and explaining where to find the accompanying uncombined form of the same work.
7. You may not copy, modify, sublicense, link with, or distribute the Library except as expressly provided under this License. Any attempt otherwise to copy, modify, sublicense, link with, or distribute the Library is void, and will automatically terminate your rights under this License. However, parties who have received copies, or rights, from you under this License will not have their licenses terminated so long as such parties remain in full compliance.
 8. You are not required to accept this License, since you have not signed it. However, nothing else grants you permission to modify or distribute the Library or its derivative works. These actions are prohibited by law if you do not accept this License. Therefore, by modifying or distributing the Library (or any work based on the Library), you indicate your acceptance of this License to do so, and all its terms and conditions for copying, distributing or modifying the Library or works based on it.

9. Each time you redistribute the Library (or any work based on the Library), the recipient automatically receives a license from the original licensor to copy, distribute, link with or modify the Library subject to these terms and conditions. You may not impose any further restrictions on the recipients' exercise of the rights granted herein. You are not responsible for enforcing compliance by third parties to this License.

10. If, as a consequence of a court judgment or allegation of patent infringement or for any other reason (not limited to patent issues), conditions are imposed on you (whether by court order, agreement or otherwise) that contradict the conditions of this License, they do not excuse you from the conditions of this License. If you cannot distribute so as to satisfy simultaneously your obligations under this License and any other pertinent obligations, then as a consequence you may not distribute the Library at all. For example, if a patent license would not permit royalty-free redistribution of the Library by all those who receive copies directly or indirectly through you, then the only way you could satisfy both it and this License would be to refrain entirely from distribution of the Library.

If any portion of this section is held invalid or unenforceable under any particular circumstance, the balance of the section is intended to apply, and the section as a whole is intended to apply in other circumstances.

It is not the purpose of this section to induce you to infringe any patents or other property right claims or to contest validity of any such claims; this section has the sole purpose of protecting the integrity of the free software distribution system which is implemented by public license practices. Many people have made generous contributions to the wide range of software distributed through that system in reliance on consistent application of that system; it is up to the author/donor to decide if he or she is willing to distribute software through any other system and a licensee cannot impose that choice.

This section is intended to make thoroughly clear what is believed to be a consequence of the rest of this License.

11. If the distribution and/or use of the Library is restricted in certain countries either by patents or by copyrighted interfaces, the original copyright holder who places the Library under this License may add an explicit geographical distribution limitation excluding those countries, so that distribution is permitted only in or among countries not thus excluded. In such case, this License incorporates the limitation as if written in the body of

this License.

12. The Free Software Foundation may publish revised and/or new versions of the Library General Public License from time to time. Such new versions will be similar in spirit to the present version, but may differ in detail to address new problems or concerns.

Each version is given a distinguishing version number. If the Library specifies a version number of this License which applies to it and “any later version”, you have the option of following the terms and conditions either of that version or of any later version published by the Free Software Foundation. If the Library does not specify a license version number, you may choose any version ever published by the Free Software Foundation.

13. If you wish to incorporate parts of the Library into other free programs whose distribution conditions are incompatible with these, write to the author to ask for permission. For software which is copyrighted by the Free Software Foundation, write to the Free Software Foundation; we sometimes make exceptions for this. Our decision will be guided by the two goals of preserving the free status of all derivatives of our free software and of promoting the sharing and reuse of software generally.

NO WARRANTY

14. BECAUSE THE LIBRARY IS LICENSED FREE OF CHARGE, THERE IS NO WARRANTY FOR THE LIBRARY, TO THE EXTENT PERMITTED BY APPLICABLE LAW. EXCEPT WHEN OTHERWISE STATED IN WRITING THE COPYRIGHT HOLDERS AND/OR OTHER PARTIES PROVIDE THE LIBRARY “AS IS” WITHOUT WARRANTY OF ANY KIND, EITHER EXPRESSED OR IMPLIED, INCLUDING, BUT NOT LIMITED TO, THE IMPLIED WARRANTIES OF MERCHANTABILITY AND FITNESS FOR A PARTICULAR PURPOSE. THE ENTIRE RISK AS TO THE QUALITY AND PERFORMANCE OF THE LIBRARY IS WITH YOU. SHOULD THE LIBRARY PROVE DEFECTIVE, YOU ASSUME THE COST OF ALL NECESSARY SERVICING, REPAIR OR CORRECTION.
15. IN NO EVENT UNLESS REQUIRED BY APPLICABLE LAW OR AGREED TO IN WRITING WILL ANY COPYRIGHT HOLDER, OR ANY OTHER PARTY WHO MAY MODIFY AND/OR REDISTRIBUTE THE LIBRARY AS PERMITTED ABOVE, BE LIABLE TO YOU FOR DAMAGES, INCLUDING ANY GENERAL, SPECIAL, INCIDENTAL OR CONSEQUENTIAL DAMAGES ARISING OUT OF THE USE OR INABILITY TO USE THE LIBRARY (INCLUDING BUT NOT LIMITED TO LOSS OF DATA OR DATA BEING RENDERED INACCURATE OR

■ **CyberLink Power Cinema Guide**

LOSSES SUSTAINED BY YOU OR THIRD PARTIES OR A FAILURE OF THE LIBRARY TO OPERATE WITH ANY OTHER SOFTWARE), EVEN IF SUCH HOLDER OR OTHER PARTY HAS BEEN ADVISED OF THE POSSIBILITY OF SUCH DAMAGES.

END OF TERMS AND CONDITIONS

autofs Copyright

Copyright 1997-2000 Transmeta Corporation -- All Rights Reserved

This program is free software; you can redistribute it and/or modify it under the terms of the GNU General Public License as published by the Free Software Foundation, Inc., 675 Mass Ave, Cambridge MA 02139, USA; either version 2 of the License, or (at your option) any later version.

This program is distributed in the hope that it will be useful, but WITHOUT ANY WARRANTY; without even the implied warranty of MERCHANTABILITY or FITNESS FOR A PARTICULAR PURPOSE. See the "GNU General Public License" on page 19 for more details.

FreeType Project License

2002-Apr-11. Copyright 1996-2002 by David Turner, Robert Wilhelm, and Werner Lemberg

Introduction

The FreeType Project is distributed in several archive packages; some of them may contain, in addition to the FreeType font engine, various tools and contributions which rely on, or relate to, the FreeType Project.

This license applies to all files found in such packages, and which do not fall under their own explicit license. The license affects thus the FreeType font engine, the test programs, documentation and make files, at the very least.

This license was inspired by the BSD, Artistic, and IJG (Independent JPEG Group) licenses, which all encourage inclusion and use of free software in commercial and freeware products alike. As a consequence, its main points are that:

- We don't promise that this software works. However, we will be interested in any kind of bug reports. (‘as is’ distribution)
- You can use this software for whatever you want, in parts or full form, without having to pay us. (‘royalty-free’ usage)
- You may not pretend that you wrote this software. If you use it, or only parts of it, in a program, you must acknowledge

somewhere in your documentation that you have used the FreeType code. (credits')

We specifically permit and encourage the inclusion of this software, with or without modifications, in commercial products. We disclaim all warranties covering The FreeType Project and assume no liability related to The FreeType Project.

Finally, many people asked us for a preferred form for a credit/disclaimer to use in compliance with this license. We thus encourage you to use the following text:

"" Portions of this software are copyright 1996-2002 The FreeType Project (www.freetype.org). All rights reserved. ""

Legal Terms

0. Definitions -----

Throughout this license, the terms `package', `FreeType Project', and `FreeType archive' refer to the set of files originally distributed by the authors (David Turner, Robert Wilhelm, and Werner Lemberg) as the `FreeType Project', be they named as alpha, beta or final release.

`You' refers to the licensee, or person using the project, where `using' is a generic term including compiling the project's source code as well as linking it to form a `program' or `executable'. This program is referred to as `a program using the FreeType engine'.

This license applies to all files distributed in the original FreeType Project, including all source code, binaries and documentation, unless otherwise stated in the file in its original, unmodified form as distributed in the original archive. If you are unsure whether or not a particular file is covered by this license, you must contact us to verify this.

The FreeType Project is copyright (C) 1996-2000 by David Turner, Robert Wilhelm, and Werner Lemberg. All rights reserved except as specified below.

1. No Warranty -----

THE FREETYPE PROJECT IS PROVIDED `AS IS' WITHOUT WARRANTY OF ANY KIND, EITHER EXPRESS OR IMPLIED, INCLUDING, BUT NOT LIMITED TO, WARRANTIES OF MERCHANTABILITY AND FITNESS FOR A PARTICULAR PURPOSE. IN NO EVENT WILL ANY OF THE AUTHORS OR COPYRIGHT HOLDERS BE LIABLE FOR ANY DAMAGES CAUSED BY THE USE OR THE INABILITY TO USE, OF THE FREETYPE PROJECT.

2. Redistribution -----

This license grants a worldwide, royalty-free, perpetual and irrevocable right and license to use, execute, perform, compile, display, copy, create derivative works of, distribute and sublicense the FreeType Project (in both source and object code forms) and derivative works thereof for any purpose; and to authorize others to exercise some or all of the rights granted herein, subject to the following conditions:

- Redistribution of source code must retain this license file ('FTL.TXT') unaltered; any additions, deletions or changes to the original files must be clearly indicated in accompanying documentation. The copyright notices of the unaltered, original files must be preserved in all copies of source files.
- Redistribution in binary form must provide a disclaimer that states that the software is based in part of the work of the FreeType Team, in the distribution documentation. We also encourage you to put an URL to the FreeType web page in your documentation, though this isn't mandatory.

These conditions apply to any software derived from or based on the FreeType Project, not just the unmodified files. If you use our work, you must acknowledge us. However, no fee need be paid to us.

3. Advertising -----

Neither the FreeType authors and contributors nor you shall use the name of the other for commercial, advertising, or promotional purposes without specific prior written permission.

We suggest, but do not require, that you use one or more of the following phrases to refer to this software in your documentation or advertising materials: 'FreeType Project', 'FreeType Engine', 'FreeType library', or 'FreeType Distribution'.

As you have not signed this license, you are not required to accept it. However, as the FreeType Project is copyrighted material, only this license, or another one contracted with the authors, grants you the right to use, distribute, and modify it. Therefore, by using, distributing, or modifying the FreeType Project, you indicate that you understand and accept all the terms of this license.

4. Contacts -----

There are two mailing lists related to FreeType:

- freetype@freetype.org

Discusses general use and applications of FreeType, as well as future and wanted additions to the library and distribution. If you are looking for support, start in this list if you haven't found anything to help you in the documentation.

- devel@freetype.org

Discusses bugs, as well as engine internals, design issues, specific licenses, porting, etc.

- <http://www.freetype.org>

Holds the current FreeType web page, which will allow you to download our latest development version and read online documentation.

You can also contact us individually at:

- David Turner david.turner@freetype.org
- Robert Wilhelm robert.wilhelm@freetype.org
- Werner Lemberg <werner.lemberg@freetype.org>

grubinstall README

Purpose: allow GRUB to be booted from NT/2K/XP.

This tool modifies the GRUB stage1 and stage2 image files located on an NTFS or FAT volume, to make them bootable by NTLDR.

Author: lode_leroy@hotmail.com

Acknowledgements:

- The AUTHORS of GNU GRUB 0.93 for creating GRUB
- Samuel Leo for writing `fsys_ntfs.c`
- Leonid Lisovskiy for writing `fsys_iso9660.c`
- Gary Ng for updating the GRUB makefiles for

NTFS+ISO9660

- Chris Semler and Tobias Svensson for testing

Limitations:

Booting OS'es from NTLDR requires stage1 to be on the same partition as NTLDR itself. Make sure that stage1 and stage2 are NOT on a compressed volume, and that the files are NOT compressed by Windows.

Usage:

Let's say C: is the first partition on the first harddisk hence (hd0,0) is the GRUB name of this partition and C:\boot\stage1 is the NT name of the boot file.

* To make the files stage1 and stage2 bootable from NTLDR:

```
C:\> grubinstall -d (hd0,0) -1 C:\boot\stage1 -2 C:\boot\stage2
```

When stage1, stage2, menu.lst are in C:\, use the following

```
C:\> grubinstall -d C:
```

* To make the installer detect the install location itself:

```
C:\> grubinstall -a -1 C:\boot\stage1 -2 C:\boot\stage2
```

* To make a boot floppy in A: (B: is not supported)

```
C:\> grubinstall -b -1 C:\boot\stage1 -2 C:\boot\stage2
```

Changes:

0.3:

- first released version

0.4:

- added experimental FAT support (not released)
- added support for DOS partition names (ie. "C:" instead of "(hd0,0)") this works only on windows XP

0.5:

- fixed bug with NTFS: hardcoded partition offset and clustersize replaced by information exposed by fsys_ntfs.c
- fixed FAT support
- added support for DOS path names (ie. C:\boot\stage1 instead

of "C:/boot/stage1");

- code cleanup

0.6:

- removal of quotes from command line
- support for writing to a diskette

0.7:

- bugfixes for win32_filepos and current_pos

- corrected debug info: use format %I64u (MSVCRT.DLL) instead of %llu (glibc)
- added option to write to a bootdisk image to a file

0.8:

- added autodetect '-a' command line option to probe disks+partitions

0.9:

- renamed ntfsinstall to grubinstall
- improved support for DOS names grubinstall -d C:
- somewhat improved (?) error messages
- added an alternate grub name option

0.9b:

- corrected GRUB names (use PartitionNumber instead of entry number)
- added '-B' option, so now it can be installed on any drive
- -m " now works to install without menu

0.9c:

- fix bug in using PartitionNumber (of OBI1 type :-)

0.9d:

- no changes. 9c contained a debug-version of stage2

1.0:

- no changes.

1.01:

- compile in bugfix for fsys_ntfs.c from original author (http://savannah.gnu.org/bugs/?func=detailitem&item_id=8669)

ion_install Copyright

Copyright (C) 2005 CyberLink Corp.

This program is free software; you can redistribute it and/or modify it under the terms of the GNU General Public License as published by the Free Software Foundation; either version 2 of the License, or (at your option) any later version.

This program is distributed in the hope that it will be useful, but WITHOUT ANY WARRANTY; without even the implied warranty of MERCHANTABILITY or FITNESS FOR A PARTICULAR PURPOSE. See the "GNU General Public License" on page 19 for more details.

You should have received a copy of the GNU General Public License along with this program; if not, visit <http://www.gocyberlink.com> for detail.

libc License

This file contains the copying permission notices for various files in the GNU C Library distribution that have copyright owners other than the Free Software Foundation. These notices all require that a copy of the notice be included in the accompanying documentation and be distributed with binary distributions of the code, so be sure to include this file along with any binary distributions derived from the GNU C Library.

libjpeg README

Below is The Independent JPEG Group's JPEG software README for release 6b of 27-Mar-1998:

This distribution contains the sixth public release of the Independent JPEG Group's free JPEG software. You are welcome to redistribute this software and to use it for any purpose, subject to the conditions under LEGAL ISSUES, below.

Serious users of this software (particularly those incorporating it into larger programs) should contact IJG at jpeg-info@uunet.uu.net to be added to our electronic mailing list. Mailing list members are notified of updates and have a chance to participate in technical discussions, etc.

This software is the work of Tom Lane, Philip Gladstone, Jim Boucher, Lee Crocker, Julian Minguillon, Luis Ortiz, George Phillips, Davide Rossi, Guido Vollbeding, Ge' Weijers, and other members of the Independent JPEG Group.

IJG is not affiliated with the official ISO JPEG standards committee.

DOCUMENTATION ROADMAP

LILO Copyright

Linux LOader (LILO) program code, documentation, and auxiliary programs are Copyright 1992-1998 Werner Almesberger.
Copyright 1999-2002 John Coffman. All rights reserved.

License

Redistribution and use in source and binary forms, with or without modification, are permitted provided that the following conditions are met:

- Redistributions of source code must retain the above copyright notice, this list of conditions and the following disclaimer.
- Redistributions in binary form must reproduce the above copyright notice, this list of conditions and the following disclaimer in the documentation and/or other materials provided with the distribution.

- Neither the names of the author(s) nor the names of other contributors may be used to endorse or promote products derived from this software without specific prior written permission.

Disclaimer

THIS SOFTWARE IS PROVIDED BY THE COPYRIGHT HOLDERS AND CONTRIBUTORS “AS IS” AND ANY EXPRESS OR IMPLIED WARRANTIES, INCLUDING, BUT NOT LIMITED TO, THE IMPLIED WARRANTIES OF MERCHANTABILITY AND FITNESS FOR A PARTICULAR PURPOSE ARE DISCLAIMED. IN NO EVENT SHALL THE AUTHORS OR CONTRIBUTORS BE LIABLE FOR ANY DIRECT, INDIRECT, INCIDENTAL, SPECIAL, EXEMPLARY, OR CONSEQUENTIAL DAMAGES (INCLUDING, BUT NOT LIMITED TO, PROCUREMENT OF SUBSTITUTE GOODS OR SERVICES; LOSS OF USE, DATA, OR PROFITS; OR BUSINESS INTERRUPTION) HOWEVER CAUSED AND ON ANY THEORY OF LIABILITY, WHETHER IN CONTRACT, STRICT LIABILITY, OR TORT (INCLUDING NEGLIGENCE OR OTHERWISE) ARISING IN ANY WAY OUT OF THE USE OF THIS SOFTWARE, EVEN IF ADVISED OF THE POSSIBILITY OF SUCH DAMAGE.

Note: The above license is copied from the BSD license at: <http://www.opensource.org/licenses/bsd-license.html>, substituting

the appropriate references in the template.

(end)

ncurses Announcement

Announcing ncurses 5.4

The ncurses (new curses) library is a free software emulation of curses in System V Release 4.0, and more. It uses terminfo format, supports pads and color and multiple highlights and forms characters and function-key mapping, and has all the other SYSVcurses enhancements over BSD curses.

In mid-June 1995, the maintainer of 4.4BSD curses declared that he considered 4.4BSD curses obsolete, and is encouraging the keepers of Unix releases such as BSD/OS, FreeBSD and NetBSD to switch over to ncurses.

The ncurses code was developed under GNU/Linux. It has been in use for some time with OpenBSD as the system curses library, and on FreeBSD and NetBSD as an external package. It should port easily to any ANSI/POSIX-conforming UNIX. It has even been ported to OS/2 Warp!

The distribution includes the library and support utilities, including a terminfo compiler `tic(1)`, a decompiler `infocmp(1)`, `clear(1)`, `tput(1)`, `tset(1)`, and a termcap conversion tool `captoinfo(1)`. Full manual pages are provided for the library and tools.

■ **CyberLink Power Cinema Guide**

The ncurses distribution is available via anonymous FTP at the GNU distribution site [1]<ftp://ftp.gnu.org/gnu/ncurses/>.

It is also available at [2]<ftp://invisible-island.net/ncurses/>.

Release Notes

This release is designed to be upward compatible from ncurses 5.0 and 5.3; very few applications will require recompilation, depending on the platform. These are the highlights from the change-log since ncurses 5.3 release.

Interface changes:

- add the remaining functions for X/Open curses widecharacter support.

+ pecho_wchar()

+ slk_wset()

These are only available if the library is configured using the `–enablewidec` option.

- write `getyx()` and related 2-return macros in terms of `getcury()`, `getcurx()`, etc.
- simplify `ifdef` for `bool` declaration in `curses.h`
- modify `ifdef`'s in `curses.h` that disabled use of `__attribute__()` for `g++`, since recent versions implement the cases which ncurses uses.
- add `key_defined()` function, to tell which keycode a string is bound to.

New features and improvements:

- library

+ implement logic in `lib_mouse.c` to handle position reports which are generated when XFree86 xterm is initialized with private modes 1002 or 1003. These are returned to the application as the `REPORT_MOUSE_POSITION` mask, which was not implemented.

+ modify soft-key initialization to use `A_REVERSE` if `A_STANDOUT` would not be shown when colors are used, i.e., if `ncv#1` is set in the terminfo as is done in “screen”.

+ add configure option for FreeBSD `sysmouse`, `--with-sysmouse`, and implement library support for that.

programs:

+ `tack`:

- allow it to run from fallback terminfo data.

- reset colors after each color test, correct a place where `exit_standout_mode` was used instead of `exit_attribute_mode`.
- improve bce test by making it set colors other than black on white.

+ tic:

- handle a case where an entry has no description, and capabilities begin on the same line as the entry name.
- allow a terminfo entry with a leading 2-character name.
- improved warnings when suppressing items to fit in termcap's 1023-byte limit.
- add check for multiple "tc=" clauses in a termcap.
- correct logic for resolving "use=" clauses allow infocmp and tic to show cancelled capabilities.
- check for incomplete line-drawing character mapping.
- check for missing/empty/illegal terminfo name.

+ tput:

- modify tput to use the same parameter analysis as tparm() does, to provide for user-defined strings, e.g., for xterm title, a corresponding capability might be `title=\E]2;%p1%s^G`,

+ tset:

- use the system's default values for CKILL and other default control characters.

- correct interchanged defaults for kill and interrupt characters, which caused it to report unnecessarily.

Major bug fixes:

- prevent recursion in wgetch() via wgetnstr() if the connection cannot be switched between cooked/raw modes because it is not a TTY.
- correct a case in _nc_remove_string(), used by define_key(), to avoid infinite loop if the given string happens to be a substring of other strings which are assigned to keys.
- modify logic of acsc to use the original character if no mapping is defined, rather than a null.

- several improvements for handling multi-cell display of wide characters.

+ modify `setcchar()` to allow converting control characters to complex characters.

+ correct handling of multibyte characters in `waddch_literal()` which force wrapping because they are started too late on the line.

+ modify `setcchar()` to allow for `wchar_t` input strings that have more than one spacing character.

other fixes for wide-character support:

+ rewrote `lib_acs.c` to allow `PutAttrChar()` to decide how to render alternate-characters, i.e., to work with Linux console and UTF-8 locale.

+ implement a workaround so that line-drawing works with screen's crippled UTF-8 support (tested with 3.9.13). This only works with the wide-character support (`--enable-widec`); the normal library will simply suppress line-drawing when running in a UTF-8 locale in screen.

+ corrections to `lib_get_wstr.c`:

o null-terminate buffer passed to `setcchar()`, which occasionally

failed.

o map special characters such as erase and kill-characters into keycodes so those will work as expected even if they are not mentioned in the terminfo.

* modify `setupterm()` to check if the terminfo and terminal-modes have already been read. This ensures that it does not reinvoke `def_prog_mode()` when an application calls more than one function, such as `tgetent()` and `initscr()`.

* fix `form_driver()` cases for `REQ_CLR_EOF`, `REQ_CLR_EOL`, `REQ_DEL_CHAR`, `REQ_DEL_PREV` and `REQ_NEW_LINE`, which did not ensure the cursor was at the editing position before making modifications.

* correct `keybound()`, which reported definitions in the wrong table, i.e., the list of definitions which are disabled by `keyok()`.

* fixes related to `safe_sprintf.c`:

+ correct an allocation size in `safe_sprintf.c` for the “*” format code.

+ correct `safe_sprintf.c` to not return a null pointer if the format happens to be an empty string.

+ make return value from `_nc_printf_string()` consistent. Before, depending on whether `--enable-safe-sprintf` was used, it might not be cached for reallocating.

* other low-level improvements to the optimization code include:

+ if the output is a socket or other non-tty device, use 1 millisecond for the cost in `mvcur`; previously it was 9 milliseconds because the baudrate was not known.

+ modify `lib_getch.c` to avoid recursion via `wgetnstr()` when the input is not a tty and consequently mode-changes do not work.

+ fix several places in `tack/pad.c` which tested and used the parameter and parameterless strings inconsistently.

+ change several `tputs()` calls in scrolling code to use `putp()`, to enable padding which may be needed for some terminals.

+ improve `mvcur()` by checking if it is safe to move when video attributes are set (`msgr`), and if not, reset/restore attributes within

that function rather than doing it separately in the GoTo() function in tty_update.c.

+ use tputs() rather than putp() in a few cases in tty_update.c since the corresponding delays are proportional to the number of lines affected: repeat_char, clr_eos, change_scroll_region.

* correct line/column reference in adjust_window(), needed to make special windows such as curscr track properly when resizing.

* fix a potential recursion between napms() and _nc_timed_wait()

* rewrote lib_insch.c, combining it with lib_insstr.c so both handle tab and other control characters consistently.

* do not try to open gpm mouse driver if standard output is not a tty; the gpm library does not make this check.

Portability:

* configure script:

+ new options:

--with-abi-version option.

addresses platforms where packagers have diverged from ncurses ABI numbering.

--with-manpage-format=catonly

addresses behavior of BSDI, allow install of man+cat files on NetBSD, whose behavior has diverged by requiring both to be present.

--with-manpage-aliases

extends "--with-manpage-aliases" to provide the option of generating ".so" files rather than symbolic links for manpage aliases.

--with-rel-version

workaround to force libtool on Darwin generate the "same" library names as with the "--with-shared" option. The Darwin ld program does not work well with a zero as the minor-version value.

--with-trace

simplifies defining TRACE to incorporate trace() in libraries.

+ fixes/improvements for cross-compiling:

- allow BUILD_CC and related configure script variables to be overridden from the environment.
- use AC_CHECK_TOOL to get proper values for AR and LD for cross compiling.
- use \$cross_compiling variable in configure script rather than comparing \$host_alias and \$target alias, since

“host” is traditionally misused in autoconf to refer to the target platform.

o modify run_tic.in to avoid using wrong shared libraries when crosscompiling.

+ fixes for Mac OS X:

- fix a redefinition of \$RANLIB in the configure script when libtool is used.
- modify MKlib_gen.sh to avoid passing “#” tokens through the C preprocessor. This works around Mac OS X's preprocessor, which insists on adding a blank on each side of the token.

+ workarounds for broken tools:

- add configure check for wchar_t and wint_t types, rather than rely on preprocessor definitions. Also work around for gcc fixinclude bug which creates a shadow copy of curses.h if it sees these symbols apparently typedef'd.
- modify configure script to omit -Winline for gcc 3.3, since that feature is broken.
- several script fixes to work around the ironically named POSIXLY_CORRECT feature of GNU sed 4.0.
- modify configure script to avoid using “head -1”, which does not work if POSIXLY_CORRECT (sic) is set.
- update configure script to reflect fix for AC_PROG_GCC_TRADITIONAL, which is broken in autoconf 2.5x for Mac OS X 10.2.3.
- repair check for missing C++ compiler, which is broken in autoconf 2.5x by hardcoding it to g++.

+ corrected ifdef's relating to configure check for wchar_t, etc.

+ remove configure script check to allow -Wconversion for older

versions of gcc

+ modify configure script to accommodate libtool 1.5, as well as add an parameter to the “--with-libtool” option which can specify the pathname of libtool.

+ change several sed scripts to avoid using “\+” since it is not a BRE (basic regular expression). One instance caused terminfo.5 to be misformatted on FreeBSD.

+ use '%' as sed substitute delimiter in run_tic script to avoid problems with pathname delimiters such as ':' and '@'.

+ add -D_XOPEN_SOURCE=500 if needed when configuring with “--enable-widec”, to get mbstate_t declaration on HP-UX 11.11.

* library:

+ adjust include-options in CF_ETIP_DEFINES to avoid missing ncurses_dll.h, fixing special definitions that may be needed for etip.h.

+ modify CF_LIB_SUFFIX for Itanium releases of HP-UX, which use a “.so” suffix.

+ improve ifdef's to guard against redefinition of wchar_t and wint_t in curses.h.

+ remove an #undef for KEY_EVENT from curses.tail used in the experimental NCURSES_WGETCH_EVENTS feature. The #undef confuses Debian dpkg's build script.

Features of Ncurses

The ncurses package is fully compatible with SVr4 (System V Release 4) curses:

- All 257 of the SVr4 calls have been implemented (and are documented).
- Full support for SVr4 curses features including keyboard mapping, color, forms-drawing with ACS characters, and automatic recognition of keypad and function keys.
- An emulation of the SVr4 panels library, supporting a stack of windows with backing store, is included.

- An emulation of the SVr4 menus library, supporting a uniform but flexible interface for menu programming, is included.
- An emulation of the SVr4 form library, supporting data collection through on-screen forms, is included.
- Binary terminfo entries generated by the ncurses tic(1) implementation are bit-for-bit-compatible with the entry format SVr4 curses uses.
- The utilities have options to allow you to filter terminfo entries for use with less capable curses/terminfo versions such as the HP/UX and AIX ports.

The ncurses package also has many useful extensions over SVr4:

- The API is 8-bit clean and base-level conformant with the X/OPEN curses specification, XSI curses (that is, it implements all BASE level features, but not all EXTENDED features). Most EXTENDED-level features not directly concerned with wide-character support are implemented, including many function calls not supported under SVr4 curses (but portability of all calls is documented so you can use the SVr4 subset only).
- Unlike SVr3 curses, ncurses can write to the rightmostbottommost corner of the screen if your terminal has an insert-character capability.
- Ada95 and C++ bindings.
- Support for mouse event reporting with X Window xterm and OS/2 console windows.
- Extended mouse support via Alessandro Rubini's gpm package.
- The function `wresize()` allows you to resize windows, preserving their data.
- The function `use_default_colors()` allows you to use the terminal's default colors for the default color pair, achieving the effect of transparent colors.
- The functions `keyok()` and `define_key()` allow you to better control the use of function keys, e.g., disabling the ncurses `KEY_MOUSE`, or by defining more than one control sequence to map to a given key code.
- Support for 16-color terminals, such as aixterm and XFree86

xterm.

- Better cursor-movement optimization. The package now features a cursor-local-movement computation more efficient than either BSD's or System V's.
- Super hardware scrolling support. The screen-update code incorporates a novel, simple, and cheap algorithm that enables it to make optimal use of hardware scrolling, lineinsertion, and line-deletion for screen-line movements. This algorithm is more powerful than the 4.4BSD curses quickch() routine.
- Real support for terminals with the magic-cookie glitch. The screen-update code will refrain from drawing a highlight if the magiccookie unattributed spaces required just before the beginning and after the end would step on a non-space character. It will automatically shift highlight boundaries when doing so would make it possible to draw the highlight without changing the visual appearance of the screen.

- It is possible to generate the library with a list of pre-loaded fallback entries linked to it so that it can serve those terminal types even when no terminfo tree or termcap file is accessible (this may be useful for support of screen-oriented programs that must run in single-user mode).
- The tic(1)/captaininfo utility provided with ncurses has the ability to translate many termcaps from the XENIX, IBM and AT&T extension sets.
- A BSD-like tset(1) utility is provided.
- The ncurses library and utilities will automatically read terminfo entries from \$HOME/.terminfo if it exists, and compile to that directory if it exists and the user has no write access to the system directory. This feature makes it easier for users to have personal terminfo entries without giving up access to the system terminfo directory.
- You may specify a path of directories to search for compiled descriptions with the environment variable `TERMINFO_DIRS` (this generalizes the feature provided by `TERMINFO` under stock System V.)
- In terminfo source files, use capabilities may refer not just to other entries in the same source file (as in System V) but also to compiled entries in either the system terminfo directory or the user's \$HOME/.terminfo directory.
- A script (capconvert) is provided to help BSD users transition from termcap to terminfo. It gathers the information in a `TERMCAP` environment variable and/or a `~/termcap` local

entries file and converts it to an equivalent local terminfo tree under \$HOME/.terminfo.

- Automatic fallback to the /etc/termcap file can be compiled in when it is not possible to build a terminfo tree. This feature is neither fast nor cheap, you don't want to use it unless you have to, but it's there.

- The table-of-entries utility toe makes it easy for users to see exactly what terminal types are available on the system.
- The library meets the XSI requirement that every macro entry point have a corresponding function which may be linked (and will be prototype-checked) if the macro definition is disabled with #undef.
- An HTML “Introduction to Programming with NCURSES” document provides a narrative introduction to the curses programming interface.

State of the Package

Numerous bugs present in earlier versions have been fixed; the library is far more reliable than it used to be. Bounds checking in many `dangerous' entry points has been improved. The code is now type-safe according to gcc -Wall. The library has been checked for malloc leaks and arena corruption by the Purify memory-allocation tester.

The ncurses code has been tested with a wide variety of applications including (versions starting with those noted):

cdk

Curses Development Kit

[3]<http://invisible-island.net/cdk/>

[4]<http://www.vexus.ca/products/CDK/>

ded

directory-editor

[5]<http://invisible-island.net/ded/>

dialog

the underlying application used in Slackware's setup, and the basis for similar applications on GNU/Linux.

[6]<http://invisible-island.net/dialog/>

lynx

the character-screen WWW browser

[7]<http://lynx.isc.org/release/>

Midnight Commander file manager

[8]<http://www.ibiblio.org/mc/>

mutt

mail utility

[9]<http://www.mutt.org/>

ncftp

file-transfer utility

[10]<http://www.ncftp.com/>

nvi

New vi versions 1.50 are able to use ncurses versions 1.9.7 and later.

[11]<http://www.bostic.com/vi/>

pinfo

Lynx-like info browser.

[12]<http://dione.ids.pl/~pborys/software/pinfo/>

tin

newsreader, supporting color, MIME [13]<http://www.tin.org/>

vh-1.6

Volks-Hypertext browser for the Jargon File

[14]<http://www.debian.org/Packages/unstable/text/vh.html> as well as some that use ncurses for the terminfo support alone:

minicom

terminal emulator

[15]<http://www.netsonic.fi/~walker/minicom.html>

vile

vi-like-emacs

[16]<http://invisible-island.net/vile/>

The ncurses distribution includes a selection of test programs (including a few games).

Who's Who and What's What

Zeyd Ben-Halim started it from a previous package pcurses, written by Pavel Curtis. Eric S. Raymond continued development. Jurgen Pfeifer wrote most of the form and menu libraries. Ongoing work is being done by [17]Thomas Dickey. Thomas Dickey acts as the maintainer for the Free Software Foundation, which holds the copyright on ncurses.

Contact the current maintainers at [18]bug-ncurses@gnu.org.

To join the ncurses mailing list, please write email to bug-ncursesrequest@gnu.org containing the line:

```
subscribe <name>@<host.domain>
```

This list is open to anyone interested in helping with the development and testing of this package.

Beta versions of ncurses and patches to the current release are made available at [19]ftp://invisible-island.net/ncurses/.

Future Plans

- Extended-level XPG4 conformance, with internationalization support.
- Ports to more systems, including DOS and Windows.

We need people to help with these projects. If you are interested in working on them, please join the ncurses list.

Other Related Resources

The distribution provides a newer version of the terminfo-format terminal description file maintained by [20]Eric Raymond. Unlike the older version, the termcap and terminfo data are provided in the same file.

You can find lots of information on terminal-related topics not covered in the terminfo file at [21]Richard Shuford's archive.

References

1. <ftp://ftp.gnu.org/gnu/ncurses/>
2. <ftp://invisible-island.net/ncurses/>
3. <http://invisible-island.net/cdk/>
4. <http://www.vexus.ca/products/CDK/>
5. <http://invisible-island.net/ded/>
6. <http://invisible-island.net/dialog/>
7. <http://lynx.isc.org/release/>
8. <http://www.ibiblio.org/mc/>
9. <http://www.mutt.org/>
10. <http://www.ncftp.com/>
11. <http://www.bostic.com/vi/>
12. <http://dione.ids.pl/~pborys/software/pinfo/>
13. <http://www.tin.org/>
14. <http://www.debian.org/Packages/unstable/text/vh.html>
15. <http://www.netsonic.fi/~walker/minicom.html>
16. <http://invisible-island.net/vile/>
17. <mailto:dickey@invisible-island.net>
18. <mailto:bug-ncurses@gnu.org>
19. <ftp://invisible-island.net/ncurses/>
20. <http://www.catb.org/~esr/terminfo/>
21. http://www.cs.utk.edu/~shuford/terminal_index.html

Note

NOTE! This copyright does **not** cover user programs that use kernel services by normal system calls this is merely considered normal use of the kernel, and does **not** fall under the heading of “derived work”. Also note that the GPL below is copyrighted by the Free Software Foundation, but the instance of code that it refers to (the Linux kernel) is copyrighted by me and others who actually wrote it.

Also note that the only valid version of the GPL as far as the kernel is concerned is *_this_* particular version of the license (i.e. v2, not v2.2 or v3.x or whatever), unless explicitly otherwise stated.

Linus Torvalds

Python License

A. HISTORY OF THE SOFTWARE

Python was created in the early 1990s by Guido van Rossum at Stichting Mathematisch Centrum (CWI, see <http://www.cwi.nl>) in the Netherlands as a successor of a language called ABC. Guido remains Python's principal author, although it includes many contributions from others.

In 1995, Guido continued his work on Python at the Corporation for National Research Initiatives (CNRI, see <http://www.cnri.reston.va.us>) in Reston, Virginia where he released

several versions of the software.

In May 2000, Guido and the Python core development team moved to BeOpen.com to form the BeOpen PythonLabs team. In October of the same year, the PythonLabs team moved to Digital Creations (now Zope Corporation, see <http://www.zope.com>). In 2001, the Python Software Foundation (PSF, see <http://www.python.org/psf/>) was formed, a non-profit organization created specifically to own Python-related Intellectual Property. Zope Corporation is a sponsoring member of the PSF.

All Python releases are Open Source (see <http://www.opensource.org> for the Open Source Definition). Historically, most, but not all, Python releases have also been GPL-compatible; the table below summarizes the various releases.

Release Derived Year Owner GPL- from compatible? (1)

0.9.0 thru 1.2 1991-1995 CWI yes 1.3 thru 1.5.2 1.2 1995-1999

CNRI yes 1.6 1.5.2 2000 CNRI no 2.0 1.6 2000 BeOpen.com no

1.6.1 1.6 2001 CNRI yes (2) 2.1 2.0+1.6.1 2001 PSF no 2.0.1

2.0+1.6.1 2001 PSF yes 2.1.1 2.1+2.0.1 2001 PSF yes 2.2 2.1.1

2001 PSF yes 2.1.2 2.1.1 2002 PSF yes 2.1.3 2.1.2 2002 PSF yes

2.2.1 2.2 2002 PSF yes 2.2.2 2.2.1 2002 PSF yes 2.2.3 2.2.2 2003

PSF yes 2.3 2.2.2 2002-2003 PSF yes 2.3.1 2.3 2002- 2003 PSF yes

2.3.2 2.3.1 2002-2003 PSF yes 2.3.3 2.3.2 2002-2003 PSF yes 2.3.4

2.3.3 2004 PSF yes

Footnotes:

- (1) GPL-compatible doesn't mean that we're distributing Python under the GPL. All Python licenses, unlike the GPL, let you distribute a modified version without making your changes open source. The GPL-compatible licenses make it possible to combine Python with other software that is released under the GPL; the others don't.
- (2) According to Richard Stallman, 1.6.1 is not GPL-compatible, because its license has a choice of law clause. According to CNRI, however, Stallman's lawyer has told CNRI's lawyer that 1.6.1 is “not incompatible” with the GPL.

Thanks to the many outside volunteers who have worked under Guido's direction to make these releases possible.

B. TERMS AND CONDITIONS FOR ACCESSING OR OTHERWISE USING PYTHON PSF LICENSE AGREEMENT FOR PYTHON 2.3

0. This LICENSE AGREEMENT is between the Python Software Foundation (“PSF”), and the Individual or Organization (“Licensee”) accessing and otherwise using Python 2.3 software in source or binary form and its associated documentation.
1. Subject to the terms and conditions of this License Agreement, PSF hereby grants Licensee a nonexclusive, royalty-free, world-wide license to reproduce, analyze, test, perform and/or display publicly, prepare derivative works, distribute, and otherwise use Python 2.3 alone or in any derivative version, provided, however, that PSF's License Agreement and PSF's notice of copyright, i.e., “Copyright (c) 2001, 2002, 2003, 2004 Python Software Foundation; All Rights

Reserved” are retained in Python 2.3 alone or in any derivative version prepared by Licensee.

2. In the event Licensee prepares a derivative work that is based on or incorporates Python 2.3 or any part thereof, and wants to make the derivative work available to others as provided herein, then Licensee hereby agrees to include in any such work a brief summary of the changes made to Python 2.3.

3. PSF is making Python 2.3 available to Licensee on an “AS IS” basis. PSF MAKES NO REPRESENTATIONS OR WARRANTIES, EXPRESS OR IMPLIED. BY WAY OF EXAMPLE, BUT NOT LIMITATION, PSF MAKES NO AND DISCLAIMS ANY REPRESENTATION OR WARRANTY OF MERCHANTABILITY OR FITNESS FOR ANY PARTICULAR PURPOSE OR THAT THE USE OF PYTHON 2.3 WILL NOT INFRINGE ANY THIRD PARTY RIGHTS.

4. PSF SHALL NOT BE LIABLE TO LICENSEE OR ANY OTHER USERS OF PYTHON 2.3 FOR ANY INCIDENTAL, SPECIAL, OR CONSEQUENTIAL DAMAGES OR LOSS AS A RESULT OF MODIFYING, DISTRIBUTING, OR OTHERWISE USING PYTHON 2.3, OR ANY DERIVATIVE THEREOF, EVEN IF ADVISED OF THE POSSIBILITY THEREOF.

5. This License Agreement will automatically terminate upon a material breach of its terms and conditions.
6. Nothing in this License Agreement shall be deemed to create any relationship of agency, partnership, or joint venture between PSF and Licensee. This License Agreement does not grant permission to use PSF trademarks or trade name in a trademark sense to endorse or promote products or services of Licensee, or any third party.
7. By copying, installing or otherwise using Python 2.3, Licensee agrees to be bound by the terms and conditions of this License Agreement.

BEOPEN.COM LICENSE AGREEMENT FOR PYTHON 2.0

BEOPEN PYTHON OPEN SOURCE LICENSE AGREEMENT VERSION 1

0. This LICENSE AGREEMENT is between BeOpen.com (“BeOpen”), having an office at 160 Saratoga Avenue, Santa Clara, CA 95051, and the Individual or Organization (“Licensee”) accessing and otherwise using this software in source or binary form and its associated documentation (“the Software”).
1. Subject to the terms and conditions of this BeOpen Python License Agreement, BeOpen hereby grants Licensee a non-exclusive, royaltyfree, world-wide license to reproduce, analyze, test, perform and/or display publicly, prepare derivative works, distribute, and otherwise use the Software alone or in any derivative version, provided, however, that the BeOpen Python License is retained in the Software, alone or in any derivative version prepared by Licensee.
2. BeOpen is making the Software available to Licensee on an “AS IS” basis. BEOPEN MAKES NO REPRESENTATIONS OR WARRANTIES, EXPRESS OR IMPLIED. BY WAY OF EXAMPLE, BUT NOT LIMITATION, BEOPEN MAKES NO AND DISCLAIMS ANY REPRESENTATION OR

WARRANTY OF MERCHANTABILITY OR FITNESS FOR ANY PARTICULAR PURPOSE OR THAT THE USE OF THE SOFTWARE WILL NOT INFRINGE ANY THIRD PARTY RIGHTS.

3. BEOPEN SHALL NOT BE LIABLE TO LICENSEE OR ANY OTHER USERS OF THE SOFTWARE FOR ANY INCIDENTAL, SPECIAL, OR CONSEQUENTIAL DAMAGES OR LOSS AS A RESULT OF USING, MODIFYING OR DISTRIBUTING THE SOFTWARE, OR ANY DERIVATIVE THEREOF, EVEN IF ADVISED OF THE POSSIBILITY THEREOF.
4. This License Agreement will automatically terminate upon a material breach of its terms and conditions.
5. This License Agreement shall be governed by and interpreted in all respects by the law of the State of California, excluding conflict of law provisions. Nothing in this License Agreement shall be deemed to create any relationship of agency, partnership, or joint venture between BeOpen and Licensee. This License Agreement does not grant permission to use BeOpen trademarks or trade names in a trademark sense to endorse or promote products or services of Licensee, or any third party. As an exception, the “BeOpen Python” logos available at <http://www.pythonlabs.com/logos.html> may be used according to the permissions granted on that web page.

6. By copying, installing or otherwise using the software, Licensee agrees to be bound by the terms and conditions of this License Agreement.

CNRI LICENSE AGREEMENT FOR PYTHON 1.6.1

1. This LICENSE AGREEMENT is between the Corporation for National Research Initiatives, having an office at 1895 Preston White Drive, Reston, VA 20191 (“CNRI”), and the Individual or Organization (“Licensee”) accessing and otherwise using Python 1.6.1 software in source or binary form and its associated documentation.
2. Subject to the terms and conditions of this License Agreement, CNRI hereby grants Licensee a nonexclusive, royalty-free, worldwide license to reproduce, analyze, test, perform and/or display publicly, prepare derivative works, distribute, and otherwise use Python 1.6.1 alone or in any derivative version, provided, however, that CNRI's License Agreement and CNRI's notice of copyright, i.e., “Copyright (c) 1995-2001 Corporation for National Research Initiatives; All Rights Reserved” are retained in Python 1.6.1 alone or in any derivative version prepared by Licensee. Alternately, in lieu of CNRI's License Agreement, Licensee may substitute the following text (omitting the quotes): “Python 1.6.1 is made available subject to the terms and conditions in CNRI's License Agreement. This Agreement together with Python 1.6.1 may be located on the

Internet using the following unique, persistent identifier (known as a handle): 1895.22/1013. This Agreement may also be obtained from a proxy server on the Internet using the following URL: <http://hdl.handle.net/1895.22/1013>".

3. In the event Licensee prepares a derivative work that is based on or incorporates Python 1.6.1 or any part thereof, and wants to make the derivative work available to others as provided herein, then Licensee hereby agrees to include in any such work a brief summary of the changes made to Python 1.6.1.

4. CNRI is making Python 1.6.1 available to Licensee on an "AS IS" basis. CNRI MAKES NO REPRESENTATIONS OR WARRANTIES, EXPRESS OR IMPLIED. BY WAY OF EXAMPLE, BUT NOT LIMITATION, CNRI MAKES NO AND DISCLAIMS ANY REPRESENTATION OR WARRANTY OF MERCHANTABILITY OR FITNESS FOR ANY PARTICULAR PURPOSE OR THAT THE USE F PYTHON 1.6.1 WILL NOT INFRINGE ANY THIRD PARTY RIGHTS.

5. CNRI SHALL NOT BE LIABLE TO LICENSEE OR ANY OTHER USERS OF PYTHON 1.6.1 FOR ANY INCIDENTAL, SPECIAL, OR CONSEQUENTIAL DAMAGES OR LOSS AS A RESULT OF MODIFYING, DISTRIBUTING, OR OTHERWISE USING PYTHON 1.6.1, OR ANY DERIVATIVE THEREOF, EVEN IF ADVISED OF THE POSSIBILITY THEREOF.
6. This License Agreement will automatically terminate upon a material breach of its terms and conditions.
7. This License Agreement shall be governed by the federal intellectual property law of the United States, including without limitation the federal copyright law, and, to the extent such U.S. federal law does not apply, by the law of the Commonwealth of Virginia, excluding Virginia's conflict of law provisions. Notwithstanding the foregoing, with regard to derivative works based on Python 1.6.1 that incorporate non-separable material that was previously distributed under the GNU General Public License (GPL), the law of the Commonwealth of Virginia shall govern this License Agreement only as to issues arising under or with respect to Paragraphs 4, 5, and 7 of this License Agreement. Nothing in this License Agreement shall be deemed to create any relationship of agency, partnership, or joint venture between CNRI and Licensee. This License Agreement does not grant permission to use CNRI trademarks or trade

name in a trademark sense to endorse or promote products or services of Licensee, or any third party.

8. By clicking on the “ACCEPT” button where indicated, or by copying, installing or otherwise using Python 1.6.1, Licensee agrees to be bound by the terms and conditions of this License Agreement.

ACCEPT CWI LICENSE AGREEMENT FOR PYTHON 0.9.0 THROUGH 1.2

Copyright (c) 1991 - 1995, Stichting Mathematisch Centrum
Amsterdam, The Netherlands. All rights reserved.

Permission to use, copy, modify, and distribute this software and its documentation for any purpose and without fee is hereby granted, provided that the above copyright notice appear in all copies and that both that copyright notice and this permission notice appear in supporting documentation, and that the name of Stichting Mathematisch Centrum or CWI not be used in advertising or publicity pertaining to distribution of the software without specific, written prior permission.

STICHTING MATHEMATISCH CENTRUM DISCLAIMS ALL WARRANTIES WITH REGARD TO THIS SOFTWARE, INCLUDING ALL IMPLIED WARRANTIES OF MERCHANTABILITY AND FITNESS, IN NO EVENT SHALL STICHTING MATHEMATISCH CENTRUM BE LIABLE FOR ANY SPECIAL, INDIRECT OR CONSEQUENTIAL DAMAGES OR ANY DAMAGES WHATSOEVER RESULTING FROM LOSS OF USE, DATA OR PROFITS, WHETHER IN AN ACTION OF CONTRACT, NEGLIGENCE OR OTHER TORTIOUS ACTION, ARISING OUT OF OR IN CONNECTION WITH THE USE OR PERFORMANCE OF THIS SOFTWARE.

util-linux Copyright

Copyright (c) 1989 The Regents of the University of California.
All rights reserved.

Redistribution and use in source and binary forms, with or without modification, are permitted provided that the following conditions are met:

- 1.** Redistributions of source code must retain the above copyright notice, this list of conditions and the following disclaimer.
- 2.** Redistributions in binary form must reproduce the above copyright notice, this list of conditions and the following disclaimer in the documentation and/or other materials provided with the distribution.
- 3.** All advertising materials mentioning features or use of this software must display the following acknowledgement: This product includes software developed by the University of California, Berkeley and its contributors.
- 4.** Neither the name of the University nor the names of its contributors may be used to endorse or promote products derived from this software without specific prior written permission.

THIS SOFTWARE IS PROVIDED BY THE REGENTS AND CONTRIBUTORS "AS IS" AND ANY EXPRESS OR IMPLIED WARRANTIES, INCLUDING, BUT NOT LIMITED TO, THE IMPLIED WARRANTIES OF MERCHANTABILITY AND FITNESS FOR A PARTICULAR PURPOSE ARE DISCLAIMED. IN NO EVENT SHALL THE REGENTS OR CONTRIBUTORS BE LIABLE FOR ANY DIRECT, INDIRECT, INCIDENTAL, SPECIAL, EXEMPLARY, OR CONSEQUENTIAL DAMAGES (INCLUDING, BUT NOT LIMITED TO, PROCUREMENT OF SUBSTITUTE GOODS OR SERVICES; LOSS OF USE, DATA, OR PROFITS; OR BUSINESS INTERRUPTION) HOWEVER CAUSED AND ON ANY THEORY OF LIABILITY, WHETHER IN CONTRACT, STRICT LIABILITY, OR TORT (INCLUDING NEGLIGENCE OR OTHERWISE) ARISING IN ANY WAY OUT OF THE USE OF THIS SOFTWARE, EVEN IF ADVISED OF THE POSSIBILITY OF SUCH DAMAGE.

xorg License

The X.Org Foundation

March 2004

1. Introduction

The X.org Foundation X Window System distribution is a compilation of code and documentation from many sources. This document is intended primarily as a guide to the licenses used in the distribution: you must check each file and/or package for precise redistribution terms. None-the-less, this summary may be useful to many users. No software incorporating the XFree86 1.1 license has been incorporated. This document is based on the compilation from XFree86.

2. XFree86 License

XFree86 code without an explicit copyright is covered by the following copyright/license:

Copyright (C) 1994-2003 The XFree86 Project, Inc. All Rights Reserved.

Permission is hereby granted, free of charge, to any person obtaining a copy of this software and associated documentation

files (the “Software”), to deal in the Software without restriction, including without limitation the rights to use, copy, modify, merge, publish, distribute, sublicense, and/or sell copies of the Software, and to permit persons to whom the Software is furnished to do so, subject to the following conditions:

The above copyright notice and this permission notice shall be included in all copies or substantial portions of the Software.

THE SOFTWARE IS PROVIDED “AS IS”, WITHOUT WARRANTY OF ANY KIND, EXPRESS OR IMPLIED, INCLUDING BUT NOT LIMITED TO THE WARRANTIES OF MERCHANTABILITY, FITNESS FOR A PARTICULAR PURPOSE AND NONINFRINGEMENT. IN NO EVENT SHALL THE XFREE86 PROJECT BE LIABLE FOR ANY CLAIM, DAMAGES OR OTHER LIABILITY, WHETHER IN AN ACTION OF CONTRACT, TORT OR OTHERWISE, ARISING FROM, OUT OF OR IN CONNECTION

WITH THE SOFTWARE OR THE USE OR OTHER DEALINGS
IN THE SOFTWARE.

Except as contained in this notice, the name of the XFree86 Project shall not be used in advertising or otherwise to promote the sale, use or other dealings in this Software without prior written authorization from the XFree86 Project.

3. Other Licenses

Portions of code are covered by the following licenses/copyrights. See individual files for the copyright dates.

3.1 X/MIT Copyrights

3.1.1 X Consortium

Copyright (C) <date> X Consortium

Permission is hereby granted, free of charge, to any person obtaining a copy of this software and associated documentation files (the “Software”), to deal in the Software without restriction, including without limitation the rights to use, copy, modify, merge, publish, distribute, sublicense, and/or sell copies of the Software, and to permit persons to whom the Software is furnished to do so, subject to the following conditions:

The above copyright notice and this permission notice shall be included in all copies or substantial portions of the Software.

THE SOFTWARE IS PROVIDED “AS IS”, WITHOUT WARRANTY OF ANY KIND, EXPRESS OR IMPLIED, INCLUDING BUT NOT LIMITED TO THE WARRANTIES OF MERCHANTABILITY, FITNESS FOR A PARTICULAR PURPOSE AND NONINFRINGEMENT. IN NO EVENT SHALL THE X CONSORTIUM BE LIABLE FOR ANY CLAIM, DAMAGES OR OTHER LIABILITY, WHETHER IN AN ACTION OF CONTRACT, TORT OR OTHERWISE, ARISING FROM, OUT OF OR IN CONNECTION WITH THE SOFTWARE OR THE USE OR OTHER DEALINGS IN THE SOFTWARE.

Except as contained in this notice, the name of the X Consortium shall not be used in advertising or otherwise to promote the sale, use or other dealings in this Software without prior written authorization from the X Consortium.

X Window System is a trademark of X Consortium, Inc.

3.1.2 The Open Group

Copyright <date> The Open Group

Permission to use, copy, modify, distribute, and sell this software and its documentation for any purpose is hereby granted without fee, provided that the above copyright notice appear in all copies and that both that copyright notice and this permission notice appear in supporting documentation.

The above copyright notice and this permission notice shall be included in all copies or substantial portions of the Software.

THE SOFTWARE IS PROVIDED “AS IS”, WITHOUT WARRANTY OF ANY KIND, EXPRESS OR IMPLIED, INCLUDING BUT NOT LIMITED TO THE WARRANTIES OF MERCHANTABILITY, FITNESS FOR A PARTICULAR PURPOSE AND NONINFRINGEMENT. IN NO EVENT SHALL THE OPEN GROUP BE LIABLE FOR ANY CLAIM, DAMAGES OR OTHER LIABILITY, WHETHER IN AN ACTION OF CONTRACT, TORT OR OTHERWISE, ARISING FROM, OUT OF OR IN CONNECTION WITH THE SOFTWARE OR THE USE OR OTHER DEALINGS IN THE SOFTWARE.

Except as contained in this notice, the name of The Open Group

shall not be used in advertising or otherwise to promote the sale, use or other dealings in this Software without prior written authorization from The Open Group.

3.2 Berkeley-based copyrights:

o

3.2.1 General

Redistribution and use in source and binary forms, with or without modification, are permitted provided that the following conditions are met:

1. Redistributions of source code must retain the above copyright notice, this list of conditions and the following disclaimer.
2. Redistributions in binary form must reproduce the above copyright notice, this list of conditions and the following disclaimer in the documentation and/or other materials provided with the distribution.

3. The name of the author may not be used to endorse or promote products derived from this software without specific prior written permission.

THIS SOFTWARE IS PROVIDED BY THE AUTHOR ``AS IS" AND ANY EXPRESS OR IMPLIED WARRANTIES, INCLUDING, BUT NOT LIMITED TO, THE IMPLIED WARRANTIES OF MERCHANTABILITY AND FITNESS FOR A PARTICULAR PURPOSE ARE DISCLAIMED. IN NO EVENT SHALL THE AUTHOR BE LIABLE FOR ANY DIRECT, INDIRECT, INCIDENTAL, SPECIAL, EXEMPLARY, OR CONSEQUENTIAL DAMAGES (INCLUDING, BUT NOT LIMITED TO, PROCUREMENT OF SUBSTITUTE GOODS OR SERVICES; LOSS OF USE, DATA, OR PROFITS; OR BUSINESS INTERRUPTION) HOWEVER CAUSED AND ON ANY THEORY OF LIABILITY, WHETHER IN CONTRACT, STRICT LIABILITY, OR TORT (INCLUDING NEGLIGENCE OR OTHERWISE) ARISING IN ANY WAY OUT OF THE USE OF THIS SOFTWARE, EVEN IF ADVISED OF THE POSSIBILITY OF SUCH DAMAGE.

3.2.2 UCB/LBL

Copyright (c) 1993 The Regents of the University of California. All rights reserved.

This software was developed by the Computer Systems

Engineering group at Lawrence Berkeley Laboratory under DARPA contract BG 91-66 and contributed to Berkeley.

All advertising materials mentioning features or use of this software must display the following acknowledgement: This product includes software developed by the University of California, Lawrence Berkeley Laboratory.

Redistribution and use in source and binary forms, with or without modification, are permitted provided that the following conditions are met:

1. Redistributions of source code must retain the above copyright notice, this list of conditions and the following disclaimer.
2. Redistributions in binary form must reproduce the above copyright notice, this list of conditions and the following disclaimer in the documentation and/or other materials provided with the distribution.

3. All advertising materials mentioning features or use of this software must display the following acknowledgement: This product includes software developed by the University of California, Berkeley and its contributors.
4. Neither the name of the University nor the names of its contributors may be used to endorse or promote products derived from this software without specific prior written permission.

THIS SOFTWARE IS PROVIDED BY THE REGENTS AND CONTRIBUTORS "AS IS" AND ANY EXPRESS OR IMPLIED WARRANTIES, INCLUDING, BUT NOT LIMITED TO, THE IMPLIED WARRANTIES OF MERCHANTABILITY AND FITNESS FOR A PARTICULAR PURPOSE ARE DISCLAIMED. IN NO EVENT SHALL THE REGENTS OR CONTRIBUTORS BE LIABLE FOR ANY DIRECT, INDIRECT, INCIDENTAL, SPECIAL, EXEMPLARY, OR CONSEQUENTIAL DAMAGES (INCLUDING, BUT NOT LIMITED TO, PROCUREMENT OF SUBSTITUTE GOODS OR SERVICES; LOSS OF USE, DATA, OR PROFITS; OR BUSINESS INTERRUPTION) HOWEVER CAUSED AND ON ANY THEORY OF LIABILITY, WHETHER IN CONTRACT, STRICT LIABILITY, OR TORT (INCLUDING NEGLIGENCE OR OTHERWISE) ARISING IN ANY WAY OUT OF THE USE OF THIS SOFTWARE, EVEN IF ADVISED OF THE POSSIBILITY OF SUCH DAMAGE.

3.2.3 The NetBSD Foundation, Inc.

Copyright (c) 2003 The NetBSD Foundation, Inc. All rights reserved.

This code is derived from software contributed to The NetBSD Foundation by Ben Collver collver1@attbi.com

Redistribution and use in source and binary forms, with or without modification, are permitted provided that the following conditions are met:

1. Redistributions of source code must retain the above copyright notice, this list of conditions and the following disclaimer.
2. Redistributions in binary form must reproduce the above copyright notice, this list of conditions and the following disclaimer in the documentation and/or other materials provided with the distribution.
3. All advertising materials mentioning features or use of this software must display the following acknowledgement: This product includes software developed by the NetBSD Foundation, Inc. and its contributors.

4. Neither the name of The NetBSD Foundation nor the names of its contributors may be used to endorse or promote products derived from this software without specific prior written permission.

THIS SOFTWARE IS PROVIDED BY THE NETBSD FOUNDATION, INC. AND CONTRIBUTORS ``AS IS" AND ANY EXPRESS OR IMPLIED WARRANTIES, INCLUDING, BUT NOT LIMITED TO, THE IMPLIED WARRANTIES OF MERCHANTABILITY AND FITNESS FOR A PARTICULAR PURPOSE ARE DISCLAIMED. IN NO EVENT SHALL THE FOUNDATION OR CONTRIBUTORS BE LIABLE FOR ANY DIRECT, INDIRECT, INCIDENTAL, SPECIAL, EXEMPLARY, OR CONSEQUENTIAL DAMAGES (INCLUDING, BUT NOT LIMITED TO, PROCUREMENT OF SUBSTITUTE GOODS OR SERVICES; LOSS OF USE, DATA, OR PROFITS; OR BUSINESS INTERRUPTION) HOWEVER CAUSED AND ON ANY THEORY OF LIABILITY, WHETHER IN CONTRACT, STRICT LIABILITY, OR TORT (INCLUDING NEGLIGENCE OR OTHERWISE) ARISING IN ANY WAY OUT OF THE USE OF THIS SOFTWARE, EVEN IF ADVISED OF THE POSSIBILITY OF SUCH DAMAGE.

3.2.4 Theodore Ts'o.

Copyright Theodore Ts'o, 1994, 1995, 1996, 1997, 1998, 1999. All rights reserved.

Redistribution and use in source and binary forms, with or without modification, are permitted provided that the following conditions are met:

1. Redistributions of source code must retain the above copyright notice, and the entire permission notice in its entirety, including the disclaimer of warranties.
2. Redistributions in binary form must reproduce the above copyright notice, this list of conditions and the following disclaimer in the documentation and/or other materials provided with the distribution.
3. The name of the author may not be used to endorse or promote products derived from this software without specific prior written permission.

THIS SOFTWARE IS PROVIDED "AS IS" AND ANY EXPRESS OR IMPLIED WARRANTIES, INCLUDING, BUT NOT LIMITED TO,

THE IMPLIED WARRANTIES OF MERCHANTABILITY AND FITNESS FOR A PARTICULAR PURPOSE, ALL OF WHICH ARE HEREBY DISCLAIMED. IN NO EVENT SHALL THE AUTHOR BE LIABLE FOR ANY DIRECT, INDIRECT, INCIDENTAL, SPECIAL, EXEMPLARY, OR CONSEQUENTIAL DAMAGES (INCLUDING, BUT NOT LIMITED TO, PROCUREMENT OF SUBSTITUTE GOODS OR SERVICES; LOSS OF USE, DATA, OR PROFITS; OR BUSINESS INTERRUPTION) HOWEVER CAUSED AND ON ANY THEORY OF LIABILITY, WHETHER IN CONTRACT, STRICT LIABILITY, OR TORT (INCLUDING NEGLIGENCE OR OTHERWISE) ARISING IN ANY WAY OUT OF THE USE OF THIS SOFTWARE, EVEN IF NOT ADVISED OF THE POSSIBILITY OF SUCH DAMAGE.

3.2.5 Theo de Raadt and Damien Miller

Copyright (c) 1995,1999 Theo de Raadt. All rights reserved.

Copyright (c) 2001-2002 Damien Miller. All rights reserved.

Redistribution and use in source and binary forms, with or without modification, are permitted provided that the following conditions are met:

1. Redistributions of source code must retain the above copyright notice, this list of conditions and the following disclaimer.

2. Redistributions in binary form must reproduce the above copyright notice, this list of conditions and the following disclaimer in the documentation and/or other materials provided with the distribution.

THIS SOFTWARE IS PROVIDED BY THE AUTHOR ``AS IS" AND ANY EXPRESS OR IMPLIED WARRANTIES, INCLUDING, BUT NOT LIMITED TO, THE IMPLIED WARRANTIES OF MERCHANTABILITY AND FITNESS FOR A PARTICULAR PURPOSE ARE DISCLAIMED. IN NO EVENT SHALL THE AUTHOR BE LIABLE FOR ANY DIRECT, INDIRECT, INCIDENTAL, SPECIAL, EXEMPLARY, OR CONSEQUENTIAL DAMAGES (INCLUDING, BUT NOT LIMITED TO, PROCUREMENT OF SUBSTITUTE GOODS OR SERVICES; LOSS OF USE, DATA, OR PROFITS; OR BUSINESS INTERRUPTION) HOWEVER CAUSED AND ON ANY THEORY OF LIABILITY, WHETHER IN CONTRACT, STRICT LIABILITY, OR TORT (INCLUDING NEGLIGENCE OR OTHERWISE) ARISING IN ANY WAY OUT OF THE USE OF THIS SOFTWARE, EVEN IF ADVISED OF THE POSSIBILITY OF SUCH DAMAGE.

3.2.6 Todd C. Miller

Copyright (c) 1998 Todd C. Miller Todd.Miller@courtesan.com

Permission to use, copy, modify, and distribute this software for any purpose with or without fee is hereby granted, provided that the above copyright notice and this permission notice appear in all copies.

THE SOFTWARE IS PROVIDED “AS IS” AND TODD C. MILLER DISCLAIMS ALL WARRANTIES WITH REGARD TO THIS SOFTWARE INCLUDING ALL IMPLIED WARRANTIES OF MERCHANTABILITY AND FITNESS. IN NO EVENT SHALL TODD C. MILLER BE LIABLE FOR ANY SPECIAL, DIRECT, INDIRECT, OR CONSEQUENTIAL DAMAGES OR ANY DAMAGES WHATSOEVER RESULTING FROM LOSS OF USE, DATA OR PROFITS, WHETHER IN AN ACTION OF CONTRACT, NEGLIGENCE OR OTHER TORTIOUS ACTION, ARISING OUT OF OR IN CONNECTION WITH THE USE OR PERFORMANCE OF THIS SOFTWARE.

3.3 NVIDIA Corp

Copyright (c) 1996 NVIDIA, Corp. All rights reserved.

NOTICE TO USER: The source code is copyrighted under U.S. and international laws. NVIDIA, Corp. of Sunnyvale, California owns the copyright and as design patents pending on the design and

interface of the NV chips. Users and possessors of this source code are hereby granted a nonexclusive, royalty-free copyright and design patent license to use this code in individual and commercial software.

Any use of this source code must include, in the user documentation and internal comments to the code, notices to the end user as follows:

Copyright (c) 1996 NVIDIA, Corp. NVIDIA design patents pending in the U.S. and foreign countries.

NVIDIA, CORP. MAKES NO REPRESENTATION ABOUT THE SUITABILITY OF THIS SOURCE CODE FOR ANY PURPOSE. IT IS PROVIDED "AS IS" WITHOUT EXPRESS OR IMPLIED WARRANTY OF ANY KIND. NVIDIA, CORP. DISCLAIMS ALL WARRANTIES WITH REGARD TO THIS SOURCE CODE, INCLUDING ALL IMPLIED WARRANTIES OF MERCHANTABILITY AND FITNESS FOR A PARTICULAR PURPOSE. IN NO EVENT SHALL NVIDIA, CORP. BE LIABLE FOR ANY SPECIAL, INDIRECT, INCIDENTAL, OR CONSEQUENTIAL

DAMAGES, OR ANY DAMAGES WHATSOEVER RESULTING FROM LOSS OF USE, DATA OR PROFITS, WHETHER IN AN ACTION OF CONTRACT, NEGLIGENCE OR OTHER TORTIOUS ACTION, ARISING OUT OF OR IN CONNECTION WITH THE USE OR PERFORMANCE OF THIS SOURCE CODE.

3.4 GLX Public License

GLX PUBLIC LICENSE (Version 1.0 (2/11/99)) (“License”)

Subject to any third party claims, Silicon Graphics, Inc. (“SGI”) hereby grants permission to Recipient (defined below), under Recipient's copyrights in the Original Software (defined below), to use, copy, modify, merge, publish, distribute, sublicense and/or sell copies of Subject Software (defined below), and to permit persons to whom the Subject Software is furnished in accordance with this License to do the same, subject to all of the following terms and conditions, which Recipient accepts by engaging in any such use, copying, modifying, merging, publishing, distributing, sublicensing or selling:

1. Definitions.

- (a) “Original Software” means source code of computer software code which is described in Exhibit A as Original Software.
- (b) “Modifications” means any addition to or deletion from the substance or structure of either the Original Software or any

previous Modifications. When Subject Software is released as a series of files, a Modification means (i) any addition to or deletion from the contents of a file containing Original Software or previous Modifications and (ii) any new file that contains any part of the Original Code or previous Modifications.

- (c) “Subject Software” means the Original Software or Modifications or the combination of the Original Software and Modifications, or portions of any of the foregoing.
- (d) “Recipient” means an individual or a legal entity exercising rights under, and complying with all of the terms of, this License. For legal entities, “Recipient” includes any entity which controls, is controlled by, or is under common control with Recipient. For purposes of this definition, “control” of an entity means (a) the power, direct or indirect, to direct or manage such entity, or (b) ownership of fifty percent (50%) or more of the outstanding shares or beneficial ownership of such entity.

2. Redistribution of Source Code Subject to These Terms.

Redistributions of Subject Software in source code form must retain the notice set forth in Exhibit A, below, in every file. A copy of this License must be included in any documentation for such Subject Software where the recipients' rights relating to Subject Software are described. Recipient may distribute the source code version of Subject Software under a license of Recipient's choice, which may contain terms different from this License, provided that (i) Recipient is in compliance with the terms of this License, and (ii) the license terms include this Section 2 and Sections 3, 4, 7, 8, 10, 12 and 13 of this License, which terms may not be modified or superseded by any other terms of such license. If Recipient distributes the source code version under a different license Recipient must make it absolutely clear that any terms which differ from this License are offered by Recipient alone, not by SGI. Recipient hereby agrees to indemnify SGI for any liability incurred by SGI as a result of any such terms Recipient offers.

3. Redistribution in Executable Form. The notice set forth in Exhibit A must be conspicuously included in any notice in an executable version of Subject Software, related documentation or collateral in which Recipient describes the user's rights relating to the Subject Software. Recipient may distribute the executable version of Subject Software under a license of Recipient's choice, which may contain terms different from this

License, provided that (i) Recipient is in compliance with the terms of this License, and (ii) the license terms include this Section 3 and Sections 4, 7, 8, 10, 12 and 13 of this License, which terms may not be modified or superseded by any other terms of such license. If Recipient distributes the executable version under a different license Recipient must make it absolutely clear that any terms which differ from this License are offered by Recipient alone, not by SGI. Recipient hereby agrees to indemnify SGI for any liability incurred by SGI as a result of any such terms Recipient offers.

4. Termination. This License and the rights granted hereunder will terminate automatically if Recipient fails to comply with terms herein and fails to cure such breach within 30 days of the breach. Any sublicense to the Subject Software which is properly granted shall survive any termination of this License absent termination by the terms of such sublicense. Provisions which, by their nature, must remain in effect beyond the termination of this License shall survive.

5. **No Trademark Rights.** This License does not grant any rights to use any trade name, trademark or service mark whatsoever. No trade name, trademark or service mark of SGI may be used to endorse or promote products derived from the Subject Software without prior written permission of SGI.
6. **No Other Rights.** This License does not grant any rights with respect to the OpenGL API or to any software or hardware implementation thereof or to any other software whatsoever, nor shall any other rights or licenses not expressly granted hereunder arise by implication, estoppel or otherwise with respect to the Subject Software. Title to and ownership of the Original Software at all times remains with SGI. All rights in the Original Software not expressly granted under this License are reserved.
7. **Compliance with Laws; Non-Infringement.** Recipient shall comply with all applicable laws and regulations in connection with use and distribution of the Subject Software, including but not limited to, all export and import control laws and regulations of the U.S. government and other countries. Recipient may not distribute Subject Software that (i) in any way infringes (directly or contributorily) the rights (including patent, copyright, trade secret, trademark or other intellectual property rights of any kind) of any other person or entity or (ii) breaches any representation or warranty, express, implied or

statutory, which under any applicable law it might be deemed to have been distributed.

- 8. Claims of Infringement.** If Recipient at any time has knowledge of any one or more third party claims that reproduction, modification, use, distribution, import or sale of Subject Software (including particular functionality or code incorporated in Subject Software) infringes the third party's intellectual property rights, Recipient must place in a well-identified web page bearing the title “LEGAL” a description of each such claim and a description of the party making each such claim in sufficient detail that a user of the Subject Software will know whom to contact regarding the claim. Also, upon gaining such knowledge of any such claim, Recipient must conspicuously include the URL for such web page in the Exhibit A notice required under Sections 2 and 3, above, and in the text of any related documentation, license agreement or collateral in which Recipient describes end user's rights relating to the Subject Software. If Recipient obtains such knowledge after it makes Subject Software available to any other person or entity, Recipient shall take other steps (such as notifying appropriate mailing lists or unscrupulous) reasonably calculated to inform those who received the Subject Software that new knowledge has been obtained.
- 9. DISCLAIMER OF WARRANTY. SUBJECT SOFTWARE IS PROVIDED ON AN “AS IS” BASIS, WITHOUT**

WARRANTY OF ANY KIND, EITHER EXPRESSED OR IMPLIED, INCLUDING, WITHOUT LIMITATION, WARRANTIES THAT THE SUBJECT SOFTWARE IS FREE OF DEFECTS, MERCHANTABILITY, FIT FOR A PARTICULAR PURPOSE OR NON-INFRINGEMENT. SGI ASSUMES NO RISK AS TO THE QUALITY AND PERFORMANCE OF THE SOFTWARE. SHOULD ANY SOFTWARE PROVE DEFECTIVE IN ANY RESPECT, SGI ASSUMES NO COST OR LIABILITY FOR ANY SERVICING, REPAIR OR CORRECTION. THIS DISCLAIMER OF WARRANTY CONSTITUTES AN ESSENTIAL PART OF THIS LICENSE. NO USE OF ANY SUBJECT SOFTWARE IS AUTHORIZED HEREUNDER EXCEPT UNDER THIS DISCLAIMER.

10. LIMITATION OF LIABILITY. UNDER NO CIRCUMSTANCES AND UNDER NO LEGAL THEORY, WHETHER TORT (INCLUDING, WITHOUT LIMITATION, NEGLIGENCE OR STRICT LIABILITY), CONTRACT, OR OTHERWISE, SHALL SGI OR ANY SGI LICENSOR BE LIABLE FOR ANY DIRECT, INDIRECT, SPECIAL, INCIDENTAL, OR CONSEQUENTIAL DAMAGES OF ANY CHARACTER INCLUDING, WITHOUT LIMITATION, DAMAGES FOR LOSS OF GOODWILL, WORK STOPPAGE, LOSS OF DATA, COMPUTER FAILURE OR MALFUNCTION, OR ANY AND ALL OTHER COMMERCIAL DAMAGES OR LOSSES, EVEN IF SUCH

PARTY SHALL HAVE BEEN INFORMED OF THE POSSIBILITY OF SUCH DAMAGES. THIS LIMITATION OF LIABILITY SHALL NOT APPLY TO LIABILITY FOR DEATH OR PERSONAL INJURY RESULTING FROM SGI'S NEGLIGENCE TO THE EXTENT APPLICABLE LAW PROHIBITS SUCH LIMITATION. SOME JURISDICTIONS DO NOT ALLOW THE EXCLUSION OR LIMITATION OF INCIDENTAL OR CONSEQUENTIAL DAMAGES, SO THAT EXCLUSION AND LIMITATION MAY NOT APPLY TO RECIPIENT.

- 11. Indemnity.** Recipient shall be solely responsible for damages arising, directly or indirectly, out of its utilization of rights under this License. Recipient will defend, indemnify and hold harmless Silicon Graphics, Inc. from and against any loss, liability, damages, costs or expenses (including the payment of reasonable attorneys fees) arising out of Recipient's use, modification, reproduction and distribution of the Subject Software or out of any representation or warranty made by Recipient.

- 12. U.S. Government End Users.** The Subject Software is a “commercial item” consisting of “commercial computer software” as such terms are defined in title 48 of the Code of Federal Regulations and all U.S. Government End Users acquire only the rights set forth in this License and are subject to the terms of this License.
- 13. Miscellaneous.** This License represents the complete agreement concerning subject matter hereof. If any provision of this License is held to be unenforceable, such provision shall be reformed so as to achieve as nearly as possible the same economic effect as the original provision and the remainder of this License will remain in effect. This License shall be governed by and construed in accordance with the laws of the United States and the State of California as applied to agreements entered into and to be performed entirely within California between California residents. Any litigation relating to this License shall be subject to the exclusive jurisdiction of the Federal Courts of the Northern District of California (or, absent subject matter jurisdiction in such courts, the courts of the State of California), with venue lying exclusively in Santa Clara County, California, with the losing party responsible for costs, including without limitation, court costs and reasonable attorneys fees and expenses. The application of the United Nations Convention on Contracts for the International Sale of Goods is expressly excluded. Any law or regulation which

provides that the language of a contract shall be construed against the drafter shall not apply to this License.

Exhibit A

The contents of this file are subject to Sections 2, 3, 4, 7, 8, 10, 12 and 13 of the GLX Public License Version 1.0 (the “License”). You may not use this file except in compliance with those sections of the License. You may obtain a copy of the License at Silicon Graphics, Inc., attn: Legal Services, 2011 N. Shoreline Blvd., Mountain View, CA 94043 or at <http://www.sgi.com/software/opensource/glx/license.html>.

Software distributed under the License is distributed on an “AS IS” basis. ALL WARRANTIES ARE DISCLAIMED, INCLUDING, WITHOUT LIMITATION, ANY IMPLIED WARRANTIES OF MERCHANTABILITY, OF FITNESS FOR A PARTICULAR PURPOSE OR OF NONINFRINGEMENT. See the License for the specific language governing rights and limitations under the License.

The Original Software is GLX version 1.2 source code, released February, 1999. The developer of the Original Software is Silicon Graphics, Inc. Those portions of the Subject Software created by Silicon Graphics, Inc. are Copyright (c) 1991-9 Silicon Graphics, Inc. All Rights Reserved.

3.5 CID Font Code Public License

CID FONT CODE PUBLIC LICENSE (Version 1.0 (3/31/99))("License")

Subject to any applicable third party claims, Silicon Graphics, Inc. ("SGI") hereby grants permission to Recipient (defined below), under SGI's copyrights in the Original Software (defined below), to use, copy, modify, merge, publish, distribute, sublicense and/or sell copies of Subject Software (defined below) in both source code and executable form, and to permit persons to whom the Subject Software is furnished in accordance with this License to do the same, subject to all of the following terms and conditions, which Recipient accepts by engaging in any such use, copying, modifying, merging, publication, distributing, sublicensing or selling:

1. Definitions.

- a. "Original Software" means source code of computer software code that is described in Exhibit A as Original Software.

- b. “Modifications” means any addition to or deletion from the substance or structure of either the Original Software or any previous Modifications. When Subject Software is released as a series of files, a Modification means (i) any addition to or deletion from the contents of a file containing Original Software or previous Modifications and (ii) any new file that contains any part of the Original Code or previous Modifications.

- c. “Subject Software” means the Original Software or Modifications or the combination of the Original Software and Modifications, or portions of any of the foregoing.

- d. “Recipient” means an individual or a legal entity exercising rights under the terms of this License. For legal entities, “Recipient” includes any entity that controls, is controlled by, or is under common control with Recipient. For purposes of this definition, “control” of an entity means (i) the power, direct or indirect, to direct or manage such entity, or (ii) ownership of fifty percent (50%) or more of the outstanding shares or beneficial ownership of such entity.

- e. “Required Notice” means the notice set forth in Exhibit A to this License.
 - f. “Accompanying Technology” means any software or other technology that is not a Modification and that is distributed or made publicly available by Recipient with the Subject Software. Separate software files that do not contain any Original Software or any previous Modification shall not be deemed a Modification, even if such software files are aggregated as part of a product, or in any medium of storage, with any file that does contain Original Software or any previous Modification.
2. License Terms. All distribution of the Subject Software must be made subject to the terms of this License. A copy of this License and the Required Notice must be included in any documentation for Subject Software where Recipient's rights relating to Subject Software and/or any Accompanying Technology are described. Distributions of Subject Software in source code form must also include the Required Notice in every file distributed. In addition, a ReadMe file entitled “Important Legal Notice” must be distributed with each distribution of one or more files that incorporate Subject Software. That file must be included with distributions made in both source code and executable form. A copy of the License and the Required Notice must be included in that file. Recipient may distribute Accompanying Technology under a license of Recipient's choice, which may

contain terms different from this License, provided that (i) Recipient is in compliance with the terms of this License, (ii) such other license terms do not modify or supersede the terms of this License as applicable to the Subject Software, (iii) Recipient hereby indemnifies SGI for any liability incurred by SGI as a result of the distribution of Accompanying Technology or the use of other license terms.

- 3. Termination.** This License and the rights granted hereunder will terminate automatically if Recipient fails to comply with terms herein and fails to cure such breach within 30 days of the breach. Any sublicense to the Subject Software that is properly granted shall survive any termination of this License absent termination by the terms of such sublicense. Provisions which, by their nature, must remain in effect beyond the termination of this License shall survive.

4. **Trademark Rights.** This License does not grant any rights to use any trade name, trademark or service mark whatsoever. No trade name, trademark or service mark of SGI may be used to endorse or promote products derived from or incorporating any Subject Software without prior written permission of SGI.
5. **No Other Rights.** No rights or licenses not expressly granted hereunder shall arise by implication, estoppel or otherwise. Title to and ownership of the Original Software at all times remains with SGI. All rights in the Original Software not expressly granted under this License are reserved.
6. **Compliance with Laws; Non-Infringement.** Recipient shall comply with all applicable laws and regulations in connection with use and distribution of the Subject Software, including but not limited to, all export and import control laws and regulations of the U.S. government and other countries. Recipient may not distribute Subject Software that (i) in any way infringes (directly or contributorily) the rights (including patent, copyright, trade secret, trademark or other intellectual property rights of any kind) of any other person or entity, or (ii) breaches any representation or warranty, express, implied or statutory, which under any applicable law it might be deemed to have been distributed.
7. **Claims of Infringement.** If Recipient at any time has knowledge

of any one or more third party claims that reproduction, modification, use, distribution, import or sale of Subject Software (including particular functionality or code incorporated in Subject Software) infringes the third party's intellectual property rights, Recipient must place in a well-identified web page bearing the title "LEGAL" a description of each such claim and a description of the party making each such claim in sufficient detail that a user of the Subject Software will know whom to contact regarding the claim. Also, upon gaining such knowledge of any such claim, Recipient must conspicuously include the URL for such web page in the Required Notice, and in the text of any related documentation, license agreement or collateral in which Recipient describes end user's rights relating to the Subject Software. If Recipient obtains such knowledge after it makes Subject Software available to any other person or entity, Recipient shall take other steps (such as notifying appropriate mailing lists or newsgroups) reasonably calculated to provide such knowledge to those who received the Subject Software.

8. **DISCLAIMER OF WARRANTY.** SUBJECT SOFTWARE IS PROVIDED ON AN “AS IS” BASIS, WITHOUT WARRANTY OF ANY KIND, EITHER EXPRESSED OR IMPLIED, INCLUDING, WITHOUT LIMITATION, WARRANTIES THAT THE SUBJECT SOFTWARE IS FREE OF DEFECTS, MERCHANTABILITY, FIT FOR A PARTICULAR PURPOSE OR NON-INFRINGEMENT. SGI ASSUMES NO RISK AS TO THE QUALITY AND PERFORMANCE OF THE SOFTWARE. SHOULD ANY SOFTWARE PROVE DEFECTIVE IN ANY RESPECT, SGI ASSUMES NO COST OR LIABILITY FOR ANY SERVICING, REPAIR OR CORRECTION. THIS DISCLAIMER OF WARRANTY CONSTITUTES AN ESSENTIAL PART OF THIS LICENSE. NO USE OF ANY SUBJECT SOFTWARE IS AUTHORIZED HEREUNDER EXCEPT UNDER THIS DISCLAIMER.

9. **LIMITATION OF LIABILITY.** UNDER NO CIRCUMSTANCES AND UNDER NO LEGAL THEORY, WHETHER TORT (INCLUDING, WITHOUT LIMITATION, NEGLIGENCE OR STRICT LIABILITY), CONTRACT, OR OTHERWISE, SHALL SGI OR ANY SGI LICENSOR BE LIABLE FOR ANY CLAIM, DAMAGES OR OTHER LIABILITY, WHETHER IN AN ACTION OF CONTRACT, TORT OR OTHERWISE, ARISING FROM, OUT OF OR IN CONNECTION WITH THE SUBJECT SOFTWARE OR THE

USE OR OTHER DEALINGS IN THE SUBJECT SOFTWARE. SOME JURISDICTIONS DO NOT ALLOW THE EXCLUSION OR LIMITATION OF CERTAIN DAMAGES, SO THIS EXCLUSION AND LIMITATION MAY NOT APPLY TO RECIPIENT TO THE EXTENT SO DISALLOWED.

- 10. Indemnity.** Recipient shall be solely responsible for damages arising, directly or indirectly, out of its utilization of rights under this License. Recipient will defend, indemnify and hold SGI and its successors and assigns harmless from and against any loss, liability, damages, costs or expenses (including the payment of reasonable attorneys fees) arising out of (Recipient's use, modification, reproduction and distribution of the Subject Software or out of any representation or warranty made by Recipient.

- 11. U.S. Government End Users.** The Subject Software is a “commercial item” consisting of “commercial computer software” as such terms are defined in title 48 of the Code of Federal Regulations and all U.S. Government End Users acquire only the rights set forth in this License and are subject to the terms of this License.

12. Miscellaneous. This License represents the complete agreement concerning subject matter hereof. If any provision of this License is held to be unenforceable by any judicial or administrative authority having proper jurisdiction with respect thereto, such provision shall be reformed so as to achieve as nearly as possible the same economic effect as the original provision and the remainder of this License will remain in effect. This License shall be governed by and construed in accordance with the laws of the United States and the State of California as applied to agreements entered into and to be performed entirely within California between California residents. Any litigation relating to this License shall be subject to the exclusive jurisdiction of the Federal Courts of the Northern District of California (or, absent subject matter jurisdiction in such courts, the courts of the State of California), with venue lying exclusively in Santa Clara County, California, with the losing party responsible for costs, including without limitation, court costs and reasonable attorneys fees and expenses. The application of the United Nations Convention on Contracts for the International Sale of Goods is expressly excluded. Any law or regulation that provides that the language of a contract shall be construed against the drafter shall not apply to this License.

Exhibit A

Copyright (c) 1994-1999 Silicon Graphics, Inc.

The contents of this file are subject to the CID Font Code Public License Version 1.0 (the “License”). You may not use this file except in compliance with the License. You may obtain a copy of the License at Silicon Graphics, Inc., attn: Legal Services, 2011 N. Shoreline Blvd., Mountain View, CA 94043 or at <http://www.sgi.com/software/opensource/cid/license.html>

Software distributed under the License is distributed on an “AS IS” basis. ALL WARRANTIES ARE DISCLAIMED, INCLUDING, WITHOUT LIMITATION, ANY IMPLIED WARRANTIES OF MERCHANTABILITY, OF FITNESS FOR A PARTICULAR PURPOSE OR OF NONINFRINGEMENT. See the License for the specific language governing rights and limitations under the License.

The Original Software (as defined in the License) is CID font code that was developed by Silicon Graphics, Inc. Those portions of the Subject Software (as defined in the License) that were created by Silicon Graphics, Inc. are Copyright (c) 1994-1999 Silicon Graphics, Inc. All Rights Reserved.

[NOTE: When using this text in connection with Subject Software delivered solely in object code form, Recipient may replace the words “this file” with “this software” in both the first and second sentences.]

3.6 Bitstream Vera Fonts Copyright

The fonts have a generous copyright, allowing derivative works (as long as “Bitstream” or “Vera” are not in the names), and full redistribution (so long as they are not *sold* by themselves). They can be bundled, redistributed and sold with any software.

The fonts are distributed under the following copyright:

Copyright (c) 2003 by Bitstream, Inc. All Rights Reserved.
Bitstream Vera is a trademark of Bitstream, Inc.

Permission is hereby granted, free of charge, to any person obtaining a copy of the fonts accompanying this license (“Fonts”) and associated documentation files (the “Font Software”), to reproduce and distribute the Font Software, including without limitation the rights to use, copy, merge, publish, distribute, and/or sell copies of the Font Software, and to permit persons to whom the Font Software is furnished to do so, subject to the following conditions:

The above copyright and trademark notices and this permission notice shall be included in all copies of one or more of the Font Software typefaces.

The Font Software may be modified, altered, or added to, and in particular the designs of glyphs or characters in the Fonts may be modified and additional glyphs or characters may be added to the Fonts, only if the fonts are renamed to names not containing either the words “Bitstream” or the word “Vera”.

This License becomes null and void to the extent applicable to Fonts or Font Software that has been modified and is distributed under the “Bitstream Vera” names.

The Font Software may be sold as part of a larger software package but no copy of one or more of the Font Software typefaces may be sold by itself.

THE FONT SOFTWARE IS PROVIDED “AS IS”, WITHOUT WARRANTY OF ANY KIND, EXPRESS OR IMPLIED, INCLUDING BUT NOT LIMITED TO ANY WARRANTIES OF MERCHANTABILITY, FITNESS FOR A PARTICULAR PURPOSE AND NON-INFRINGEMENT OF COPYRIGHT, PATENT, TRADEMARK, OR OTHER RIGHT. IN NO EVENT SHALL BITSTREAM OR THE GNOME FOUNDATION BE LIABLE FOR ANY CLAIM, DAMAGES OR OTHER LIABILITY, INCLUDING ANY GENERAL, SPECIAL, INDIRECT, INCIDENTAL, OR CONSEQUENTIAL DAMAGES, WHETHER IN AN ACTION OF CONTRACT, TORT OR OTHERWISE, ARISING FROM, OUT OF THE USE OR INABILITY TO USE THE FONT SOFTWARE OR FROM OTHER DEALINGS IN THE FONT SOFTWARE.

Except as contained in this notice, the names of Gnome, the Gnome Foundation, and Bitstream Inc., shall not be used in advertising or otherwise to promote the sale, use or other dealings in this Font Software without prior written authorization from the Gnome Foundation or Bitstream Inc., respectively. For further information, contact: fonts at gnome dot org.

3.7 Bigelow & Holmes Inc and URW++ GmbH Luxi font license

Luxi fonts copyright (c) 2001 by Bigelow & Holmes Inc. Luxi font instruction code copyright (c) 2001 by URW++ GmbH. All Rights

Reserved. Luxi is a registered trademark of Bigelow & Holmes Inc.

Permission is hereby granted, free of charge, to any person obtaining a copy of these Fonts and associated documentation files (the “Font Software”), to deal in the Font Software, including without limitation the rights to use, copy, merge, publish, distribute, sublicense, and/or sell copies of the Font Software, and to permit persons to whom the Font Software is furnished to do so, subject to the following conditions:

The above copyright and trademark notices and this permission notice shall be included in all copies of one or more of the Font Software.

The Font Software may not be modified, altered, or added to, and in particular the designs of glyphs or characters in the Fonts may not be modified nor may additional glyphs or characters be added to the Fonts. This License becomes null and void when the Fonts or Font Software have been modified.

THE FONT SOFTWARE IS PROVIDED “AS IS”, WITHOUT WARRANTY OF ANY KIND, EXPRESS OR IMPLIED, INCLUDING BUT NOT LIMITED TO ANY WARRANTIES OF MERCHANTABILITY, FITNESS FOR A PARTICULAR PURPOSE AND NON-INFRINGEMENT OF COPYRIGHT, PATENT, TRADEMARK, OR OTHER RIGHT. IN NO EVENT SHALL BIGELOW & HOLMES INC. OR URW++ GMBH. BE LIABLE FOR ANY CLAIM, DAMAGES OR OTHER LIABILITY, INCLUDING ANY GENERAL, SPECIAL, INDIRECT, INCIDENTAL, OR CONSEQUENTIAL DAMAGES, WHETHER IN AN ACTION OF CONTRACT, TORT OR OTHERWISE, ARISING FROM, OUT OF THE USE OR INABILITY TO USE THE FONT SOFTWARE OR FROM OTHER DEALINGS IN THE FONT SOFTWARE.

Except as contained in this notice, the names of Bigelow & Holmes Inc. and URW++ GmbH. shall not be used in advertising or otherwise to promote the sale, use or other dealings in this Font Software without prior written authorization from Bigelow & Holmes Inc. and URW++ GmbH.

For further information, contact:

info@urwpp.de or design@bigelowandholmes.com

Generated from Id: LICENSE.sgml,v 1.1.4.4.2.1 eich Exp \$

zlib README

ZLIB DATA COMPRESSION LIBRARY

zlib 1.2.1 is a general purpose data compression library. All the code is thread safe. The data format used by the zlib library is described by RFCs (Request for Comments) 1950 to 1952 in the files <http://www.ietf.org/rfc/rfc1950.txt> (zlib format), [rfc1951.txt](http://www.ietf.org/rfc/rfc1951.txt) (deflate format) and [rfc1952.txt](http://www.ietf.org/rfc/rfc1952.txt) (gzip format). These documents are also available in other formats from <ftp://ftp.uu.net/graphics/png/documents/zlib/zdoc-index.html>

All functions of the compression library are documented in the file `zlib.h` (volunteer to write man pages welcome, contact zlib@gzip.org). A usage example of the library is given in the file `example.c` which also tests that the library is working correctly. Another example is given in the file `minigzip.c`. The compression library itself is composed of all source files except `example.c` and `minigzip.c`.

To compile all files and run the test program, follow the instructions given at the top of `Makefile`. In short “make test; make install” should work for most machines. For Unix: “./configure; make test; make install” For MSDOS, use one of the special makefiles such as `Makefile.msc`. For VMS, use `Make_vms.com` or `descrip.mms`.

Questions about zlib should be sent to <zlib@gzip.org>, or to Gilles Vollant <info@winimage.com> for the Windows DLL version. The zlib home page is <http://www.zlib.org> or <http://www.gzip.org/zlib/>. Before reporting a problem, please check this site to verify that you have the latest version of zlib; otherwise get the latest version and check whether the problem still exists or not.

PLEASE read the zlib FAQ http://www.gzip.org/zlib/zlib_faq.html before asking for help.

Mark Nelson <markn@ieee.org> wrote an article about zlib for the Jan. 1997 issue of Dr. Dobb's Journal; a copy of the article is available in <http://dogma.net/markn/articles/zlibtool/zlibtool.htm>

The changes made in version 1.2.1 are documented in the file ChangeLog.

Unsupported third party contributions are provided in directory “contrib”.

A Java implementation of zlib is available in the Java Development Kit <http://java.sun.com/j2se/1.4.2/docs/api/java/util/zip/package-summary.html> See the zlib home page <http://www.zlib.org> for details.

A Perl interface to zlib written by Paul Marquess pmqs@cpan.org is in the CPAN (Comprehensive Perl Archive Network) sites <http://www.cpan.org/modules/by-module/Compress/>

A Python interface to zlib written by A.M. Kuchling <amk@magnet.com> is available in Python 1.5 and later versions, see <http://www.python.org/doc/lib/module-zlib.html>

A zlib binding for TCL written by Andreas Kupries <a.kupries@westend.com> is available at http://www.oche.de/~akupries/soft/trf/trf_zip.html

An experimental package to read and write files in .zip format, written on top of zlib by Gilles Vollant <info@winimage.com>, is available in the contrib/minizip directory of zlib.

Notes for some targets:

- For Windows DLL versions, please see win32/DLL_FAQ.txt
- For 64-bit Irix, deflate.c must be compiled without any optimization. With -O, one libpng test fails. The test works in

32 bit mode (with the `-n32` compiler flag). The compiler bug has been reported to SGI.

- `zlib` doesn't work with `gcc 2.6.3` on a DEC 3000/300LX under OSF/1 2.1 it works when compiled with `cc`.
- On Digital Unix 4.0D (formerly OSF/1) on AlphaServer, the `cc` option `-std1` is necessary to get `gzprintf` working correctly. This is done by `configure`.
- `zlib` doesn't work on HP-UX 9.05 with some versions of `/bin/cc`. It works with other compilers. Use “make test” to check your compiler.
- `gzdopen` is not supported on RISCOS, BEOS and by some Mac compilers.
- For PalmOs, see <http://palmzlib.sourceforge.net/>
- When building a shared, i.e. dynamic library on Mac OS X, the library must be installed before testing (do “make install” before “make test”), since the library location is specified in the library.

Acknowledgments:

The deflate format used by zlib was defined by Phil Katz. The deflate and zlib specifications were written by L. Peter Deutsch. Thanks to all the people who reported problems and suggested various improvements in zlib; they are too numerous to cite here.

Copyright notice:

(C) 1995-2003 Jean-loup Gailly and Mark Adler

This software is provided 'as-is', without any express or implied warranty. In no event will the authors be held liable for any damages arising from the use of this software.

Permission is granted to anyone to use this software for any purpose, including commercial applications, and to alter it and redistribute it freely, subject to the following restrictions:

1. The origin of this software must not be misrepresented; you must not claim that you wrote the original software. If you use this software in a product, an acknowledgment in the product documentation would be appreciated but is not required.
2. Altered source versions must be plainly marked as such, and must not be misrepresented as being the original software.
3. This notice may not be removed or altered from any source distribution.

Jean-loup Gailly Mark Adler jloup@gzip.org
madler@alumni.caltech.edu

If you use the zlib library in a product, we would appreciate *not* receiving lengthy legal documents to sign. The sources are provided for free but without warranty of any kind. The library has been entirely written by Jean-loup Gailly and Mark Adler; it does not include third-party code.

If you redistribute modified sources, we would appreciate that you include in the file ChangeLog history information documenting your changes. Please read the FAQ for more information on the distribution of modified source versions.

Appendix

This chapter contains a list of the hotkeys available in the different modules in PowerCinema, as well as technical support information.

Hotkeys

To facilitate navigation and media playback, use the following hotkeys while enjoying media in PowerCinema:

Hotkey	Function	DVD	Music	Audio CD
Left arrow	Navigate left in the main menu	Y	Y	Y
Up arrow	Navigate up in the main menu	Y	Y	Y
Right arrow	Navigate right in the main menu	Y	Y	Y
Down arrow	Navigate down in the main menu	Y	Y	Y
Enter	Play	Y	Y	Y
Esc	Quit	Y	Y	Y
Spacebar	Pause	Y	--	--
0-9	Enter numbers 0-9	Y	--	--
*	Enter number 10	Y	--	--
A	Angle	Y	--	--
B	Scan backward	Y	--	--
E	Step backward	Y	--	--
F	Fast forward	Y	--	--
H	Audio	Y	--	--
K	Karaoke	Y	--	--
L	Main menu	Y	--	--
N	Next/End	Y	Y	Y
P	Previous/Beginning	Y	Y	Y

■ CyberLink Power Cinema Guide

Q	Mute	Y	Y	Y
R	Go up (in main menu)	Y	Y	Y
S	Stop	Y	--	--
T	Step	Y	--	--
U	Subtitles	Y	--	--

Technical Support

Before asking CyberLink Corp. for technical support, please refer to this user's guide or online help for more information. You may also contact your local distributor/dealer. If your problem is still not resolved, the following sections provide ways to obtain technical support.

Web Support

Web support is available 24 hours a day:

support.gocyberlink.com

In addition to frequently asked questions, our website also provides troubleshooting techniques, the latest in product news, and other relevant information.

Fax Support

In order to answer your technical questions as quickly as possible, you may fax us at: **(886) 2-8667-1300**.

Note: Technical support is only offered to registered users, so please have your CD-key (located on your CD case) handy when you call or fax.

Telephone Support

Call the CyberLink's Technical Support Hotline at:

(886) 2-8667-1298

Phone support hours are Monday to Friday, 9:00 AM-5:00 PM (GMT+8:00) Taiwan local time excluding holidays. When calling for support, please have your computer ready and provide us with the following information:

- your registered CD-key
- product version
- Windows version
- hardware types (capture card, sound card, VGA card) and their specifications
- warning messages displayed
- detailed problem description and when it occurred

Index

A

Audio CD function 5

C

customer support 107

D

DVD/VCD function 7

F

fax number 107

M

Music Clips function 9

O

Overview 1

P

Photos function 11

S

Settings

 button on Home page 3
 slideshow 12

T

technical support 107

V

Video Clips function 13

