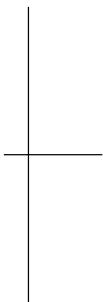


ER



on  
ng

Before using the camcorder, please read this operation manual carefully, especially page vi.

# OPERATION MANUAL

ENGLISH

## WARNING

**To prevent fire or shock hazard, do not expose this apparatus to dripping or splashing. No objects filled with liquids, such as vases, should be placed on the apparatus.**

This equipment should be used with the recommended AC adapter or battery pack.

## CAUTION

To prevent electric shocks and fire hazards, do NOT use any other power source.

## CAUTION

To prevent shock, do not open the cabinet. No user serviceable parts inside. Refer servicing to qualified dealer or service centre.

## CAUTION

To prevent fire, never place any type of candle or naked flames on the top or near the apparatus.

## Important:

Audio-visual material may consist of copyrighted works which must not be recorded without the authority of the owner of the copyright. Please refer to relevant laws in your country.

## Power supply:

This unit can be operated by connecting it to either the AC adapter or battery pack. The AC adapter incorporates the AUTO VOLTAGE (AC 110–240 V, 50/60 Hz) function.

## NOTE

The LCD panel of this camcorder is a very high technology product with more than 215,000 thin-film transistors\*, giving you fine picture detail. Occasionally, a pixel may appear on the screen as a fixed point of blue, green, red, or black. Please note that this does not affect the performance of your camcorder.

\*Specifications are subject to change without notice.

## Trademarks

- Microsoft and Windows are either registered trademarks or trademarks of Microsoft Corporation in the United States and/or other countries.
- DPOF is a trademark of CANON INC., Eastman Kodak Company, Fuji Photo Film Co., Ltd. and Matsushita Electric Industrial Co., Ltd.
- All other brand or product names are registered trademarks or trademarks of their respective holders.

# Contents

Supplied Accessories .....	v
Optional Accessories .....	v
Precautions .....	vi

<b>Operation References</b>	
Part Names .....	1
Warning Indicators .....	4

<b>Preparation</b>	
Attaching and Removing the Battery Pack .....	6
Charging the Battery Pack .....	8
Powering the Camcorder from an AC Outlet .....	9
Inserting and Removing a Cassette .....	10
Inserting and Removing a Card .....	11
Installing the Lithium Batteries .....	12
Selecting the Language for the On-screen Display .....	13
Setting the Date and Time .....	14
Using the Lens Cap .....	15
Adjusting the Hand Strap .....	16
Using the Grip .....	16
Detaching the Lens Hood .....	17
Using the Viewfinder .....	17
Using the LCD Monitor .....	19
Tips on Recording Positions .....	20

<b>Basic Operations</b>	<b>Camera Recording</b>	
	Selecting the Camcorder Mode .....	21
	Easy Camera Recording on Tape in Full Auto Mode .....	22
	Zooming .....	23
	Power Standby Mode .....	24
	Turning on/off the Backlight .....	24
	Auto Focus .....	25
	Macro Shots .....	25
	Remaining Recording Time Display .....	26
	Remaining Battery Power Display .....	26
	<b>Playback</b>	
	Tape Playback .....	27
	Volume Control .....	28
	Still .....	28
	Video Search .....	28
	Using Earphones (Commercially Available, VL-Z501D only) .....	29
	Adjusting the Phones Volume (VL-Z501D only) ....	29
	Watching Playback on a TV .....	30

---

## **Useful Features**

---

Control Buttons .....	31
Using the Mode Screens .....	31
Using the Menu Screens .....	32

### **Camera Recording**

Setting the Digital Zoom .....	33
Backlight Compensation (BLC) .....	34
Gain-up .....	35
Fade in and Fade out .....	36
Quick Return .....	37
Edit Search .....	38
Still Recording on Tape .....	38
Digital Image Stabilization (DIS) .....	39
Self Recording .....	40
Wide Screen (16:9) .....	42
Recording in LP (Long Play Recording) Mode .....	43
Windbreak .....	44
Selecting the 16-bit Audio Recording Mode .....	45

### **Playback**

Using the Remote Control (Only supplied with VL-Z501D) .....	46
Tape Playback Functions with the Remote Control (Only supplied with VL-Z501D) .....	47
Selecting the Date and Time of Recording Display .....	48
Picture Effect Playback .....	49
Rotate Playback .....	50
Copying an Image from Tape to Card .....	51

## **Advanced Features**

---

### **Camera Recording**

Manual Focus .....	52
Returning to Auto Focus .....	53
Displaying the Manual Setting Screen .....	53
White Balance Lock .....	54
Manual Iris .....	55
Manual Gain .....	56
Setting the Camcorder to Full Auto Mode .....	57
Scene Menu (Program AE) .....	58

# Contents

---

## **Advanced Features**

---

### **Playback**

Using the Time Code .....	59
Audio Dubbing Feature .....	60
Selecting the Audio Playback Mode .....	62
Editing .....	63
Recording from an External Source .....	64
Editing with the DV Terminal (IEEE1394) .....	66
Using the Camcorder as a Converter .....	68

## **Digital Still Camera Features**

---

### **Camera Recording**

Card Recording .....	70
Selecting the Picture Quality .....	71
Recording with the Self-timer .....	72
Formatting a Card .....	73
Setting the File Numbering Method .....	74

### **Playback**

Card Playback .....	75
Playback Zoom with the Remote Control (Only supplied with VL-Z501D) .....	76
Delete Protection .....	77
Deleting Stored Images .....	78
Print Order .....	80
Transferring Data on Card to Computer .....	82
Installing the USB Driver .....	82
Slide Show Playback .....	85

## **Appendix**

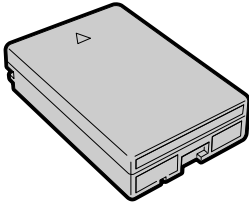
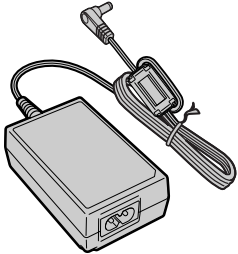
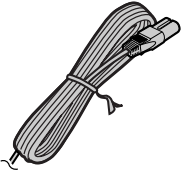
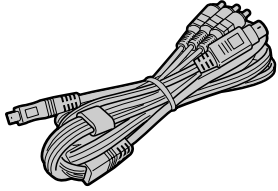



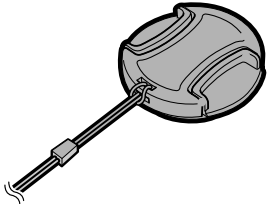
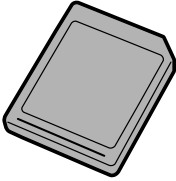
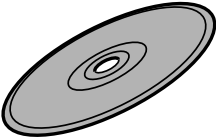
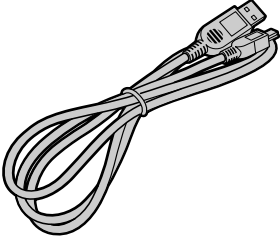
---

Picture/Backlight Adjustments .....	86
Turning off the Confirmation Sound .....	88
Setting the Camcorder to Factory Presettings .....	89
Demonstration Mode .....	90
Useful Information .....	91
<b>Troubleshooting .....</b>	<b>97</b>
Specifications .....	101
On-screen Display Index .....	102

### **Note:**

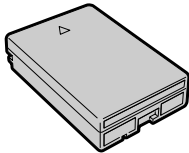
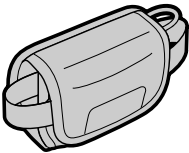
- Before requesting service, please read “Troubleshooting” carefully. (See pages 97–100.)

# Supplied Accessories

 <p>Battery pack BT-L226</p>	 <p>AC adapter</p>	 <p>Power cord</p>	 <p>Audio/video/S-video cable</p>
<p>*</p>  <p>Remote control</p>	<p>*</p>  <p>CR2025 type lithium battery for remote control</p>	 <p>CR1216 type lithium battery for camcorder</p>	 <p>Lens cap</p>
<p>*</p>  <p>8 MB SD Memory Card</p>	 <p>CD-ROM</p>	 <p>USB cable</p>	

The accessories with \* mark are not supplied with VL-Z301D (only supplied with VL-Z501D).

## Optional Accessories

 <p>Standard-life battery pack BT-L226</p>	 <p>External battery with hand strap BT-LCA1</p>
---	---

**Note:**

- Some of these accessories may not be available in selected areas.

# Precautions

- **Before recording an important scene, please perform the recording test, then playback to check if the scene was recorded properly. If noise occurs, use a commercially available cleaning tape to clean the video heads (see page viii).**

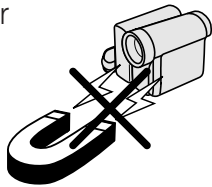
- **When the camcorder is not in use, remember to remove the cassette tape, turn off the power, and disconnect the camcorder from the power source.**

- **Do not aim the lens at the sun.**

Do not allow direct sunlight to strike the camcorder lens, whether or not recording is in progress, as it may damage the CCD sensor. Be particularly careful when recording outside.

- **Avoid magnetic sources.**

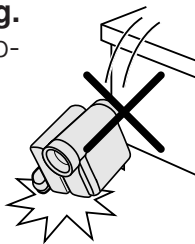
Using the camcorder near strong fluorescent lights, motors, televisions, or other magnetic sources may adversely affect recorded images.



- **Using the camcorder near a broadcasting station or other powerful transmission source may cause buzzing or picture deterioration.**

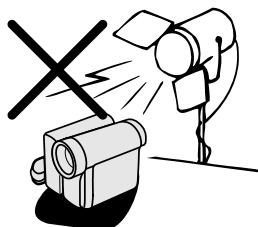
- **Avoid shocks and dropping.**

Do not drop or otherwise subject the camcorder to hard shocks or strong vibrations. Bumping or striking the unit during recording will generate noise in the recorded image.



- **Avoid placing the camcorder in close proximity to lighting equipment.**

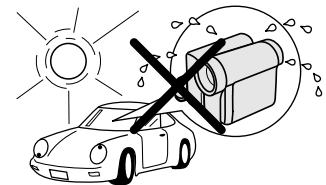
The heat from incandescent lights may deform the camcorder, or cause it to malfunction.



- **Always respect prohibitions or restrictions on the use of electronic equipment on commercial flights or in other sensitive areas.**

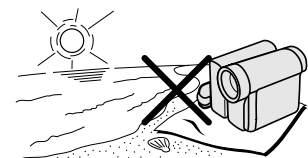
- **Be aware of the temperature and humidity.**

You can use your camcorder at 0°C to +40°C, and at 30% to 80% relative humidity. Do not store the unit in an unventilated car in the summer, in direct sunlight, or near strong heat sources; this can result in severe damage to the unit casing and circuitry.

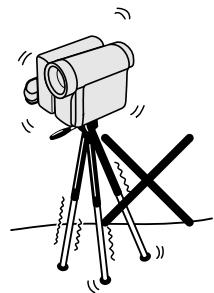


- **Avoid situations where water, sand, dust or other foreign matter could get on or inside the camcorder, and do not use or leave your camcorder in areas with excessive smoke, steam or moisture.**

Such environments can cause malfunctions or cause mildew to form on the lenses. Be sure to keep the unit in a well-ventilated location.



- **Some small, portable tripods may be difficult to attach and may not be sturdy enough to support your camcorder. Be sure to use only a strong, stable tripod.**



- **When using your camcorder in a cold environment, the LCD monitor screen often appears less bright immediately after the power is turned on. This is not a malfunction. To prevent the camcorder from becoming too cold, wrap it in a thick cloth (a blanket, etc.).**

## Dew Formation

### • What is “dew formation”?

When cold water is poured into a glass, dew drops form on the glass. This clinging of water drops is called dew formation.

### • When dew forms in your camcorder.

Dew will gradually form on the head drum of your camcorder and make the video tape stick to the head. This causes damage both to the head and the tape. When dew forms, recording and playback may not function properly.

Dew is likely to form in the following circumstances:

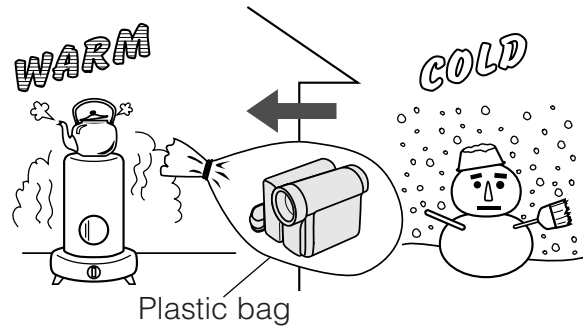
- When moving the camcorder from a cold place to a warm place.
- When placing the camcorder in a cold room which is then heated rapidly.
- When moving the camcorder outdoors from an air conditioned room or car.
- When placing the camcorder in the direct path of air blowing from an air conditioner.
- When placing the camcorder in a humid room.



### • How to prevent trouble.

When using the camcorder in a place where dew is likely to form, allow the camcorder and the video tape to acclimatise to the surroundings for about one hour.

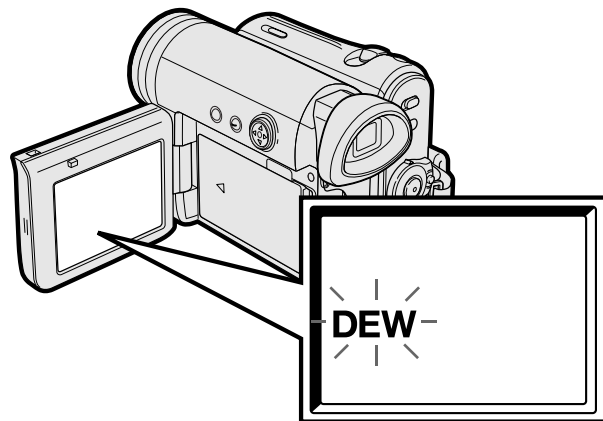
For example, when bringing the camcorder indoors after skiing, place it in a plastic bag.



- ① Be sure to tightly seal the plastic bag containing the camcorder.
- ② Remove the bag when the air temperature inside it reaches the temperature of the room.

### • “Dew” warning feature

If dew forms, the word “DEW” flashes on the screen, and the power will automatically turn off in approximately 10 seconds.



- ① If “DEW” flashes, remove the cassette, leave the cassette compartment open, and wait for a few hours to allow the camcorder to acclimatise to the surrounding temperature.
- ② To use the camcorder again, turn on the power after waiting for a few hours. Be sure that “DEW” has disappeared.
- ③ Do not insert a cassette while “DEW” is flashing; this may result in damage to the tape.
- ④ Since dew forms gradually, it may take 10 to 15 minutes before the dew warning feature engages.



# Precautions

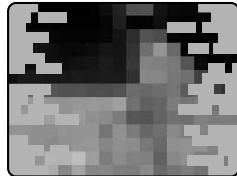
## Dirty Video Heads

When the video heads have become clogged with dirt (dust and tape coating particles),

Striped noise



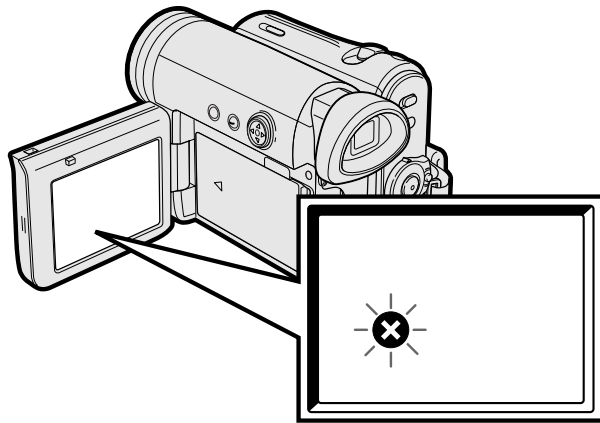
Mosaic noise




- mosaic-like noise appears on the playback picture. (see illustrations above)
- playback pictures do not move.
- during playback, the whole screen becomes blue.

## Causes of video head clogging

- High-temperature and high-humidity environment
- A lot of dust in the air
- Damaged tape
- Worn tape
- Long-time use
- Dew formation



If the video heads become clogged, the  indicator appears on the screen. Contact the nearest SHARP service centre or your dealer for further advice.

## Using a Cleaning Tape (Commercially Available)


### Available mode:

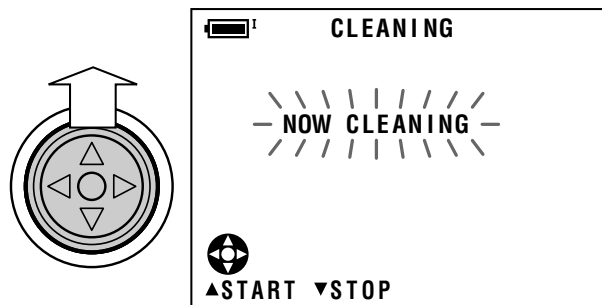
Tape Playback

You can clean the video head with a commercially available cleaning tape.

### Notes:

- Excessive use of the cleaning tape may cause damage to the video heads. Please read the instructions accompanying the cleaning tape carefully before using it.
- The fast forward and rewind functions cannot be used when the cleaning tape is in the camcorder.
- If the video heads again become clogged with dirt soon after cleaning, this might be caused by a damaged tape. In this case, stop using that cassette immediately.

- 1 Insert a cleaning tape into the camcorder.
- 2 Set the camcorder to Tape Playback mode.
  - The video head cleaning screen appears.
- 3 Press  on the Operation button to begin video head cleaning.
  - "NOW CLEANING" flashes during cleaning.



- After about 20 seconds, video head cleaning automatically finishes, and "EJECT THE CASSETTE." displays.

- 4 Remove the cleaning tape.

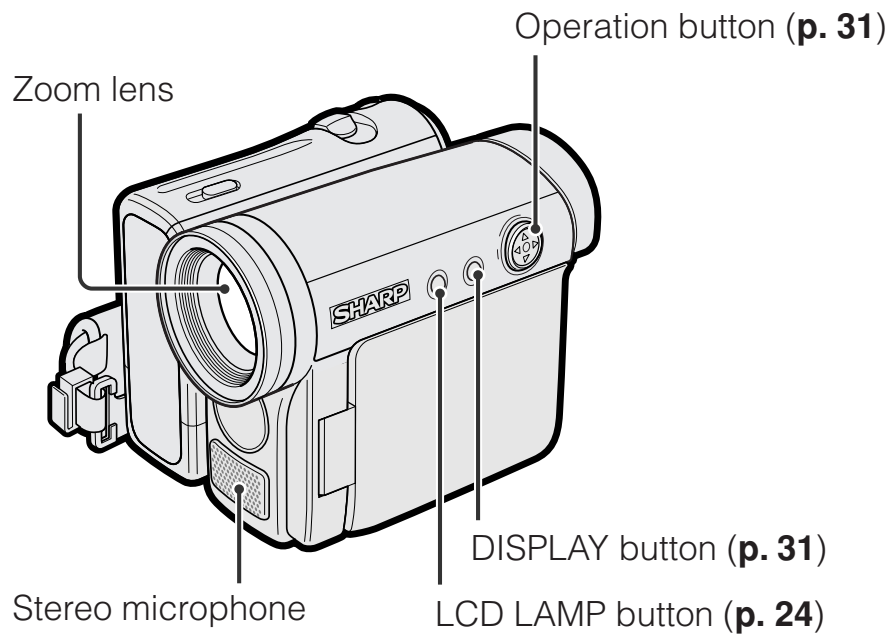
To cancel cleaning, press .

# Operation References

## Part Names

For details on the use of each part, refer to the page number indicated in parentheses.

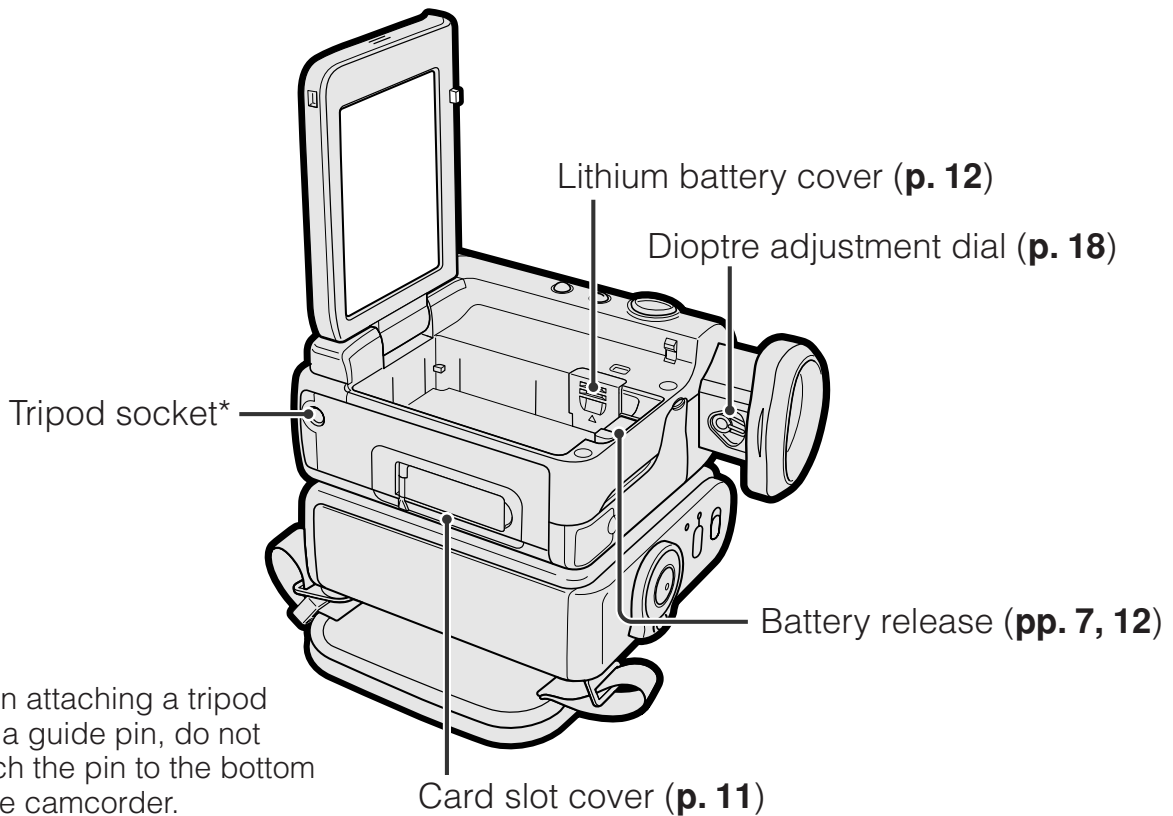
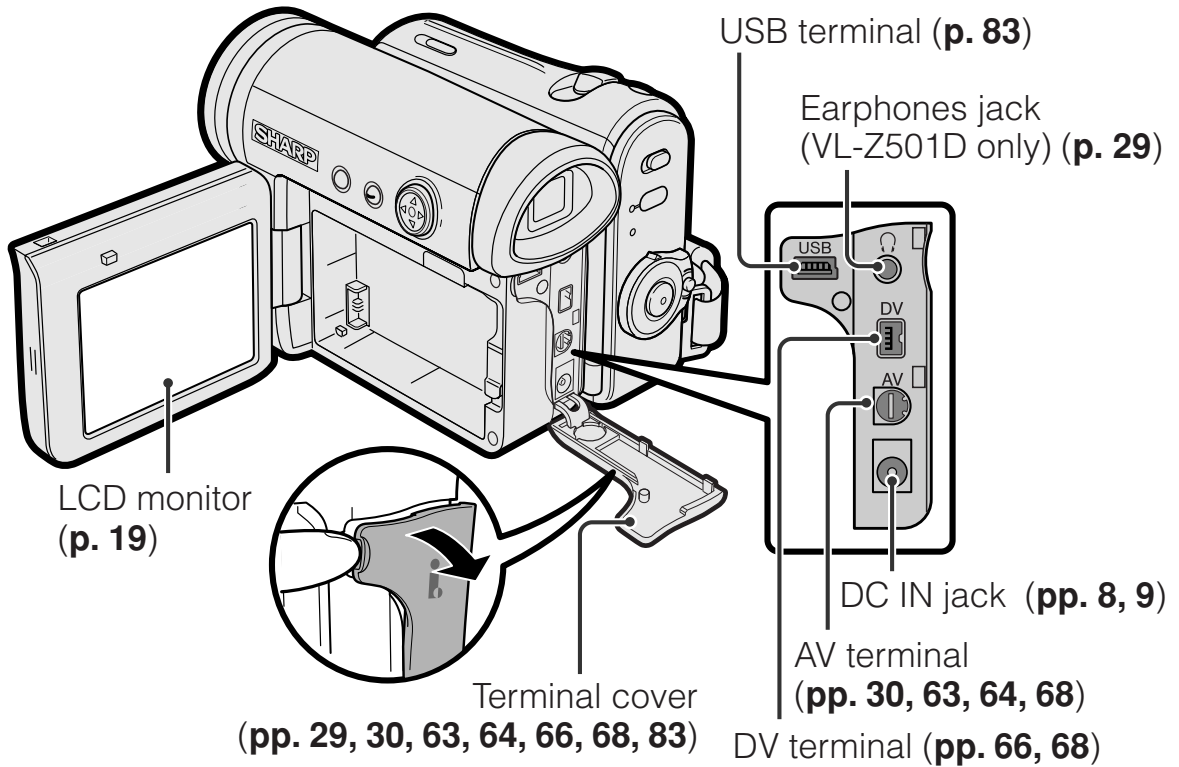
### Front view



# Operation References

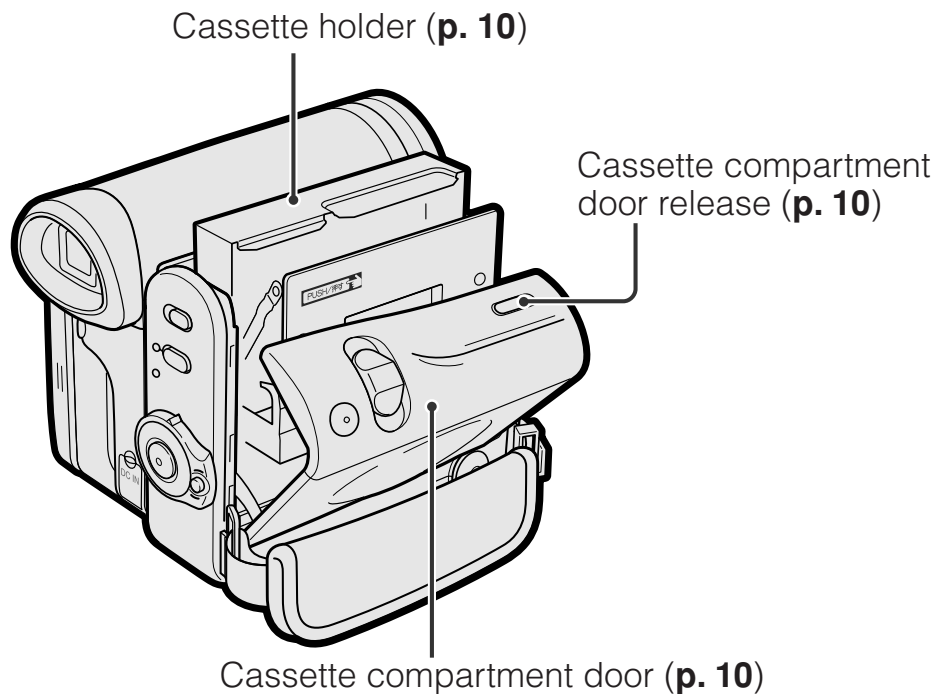
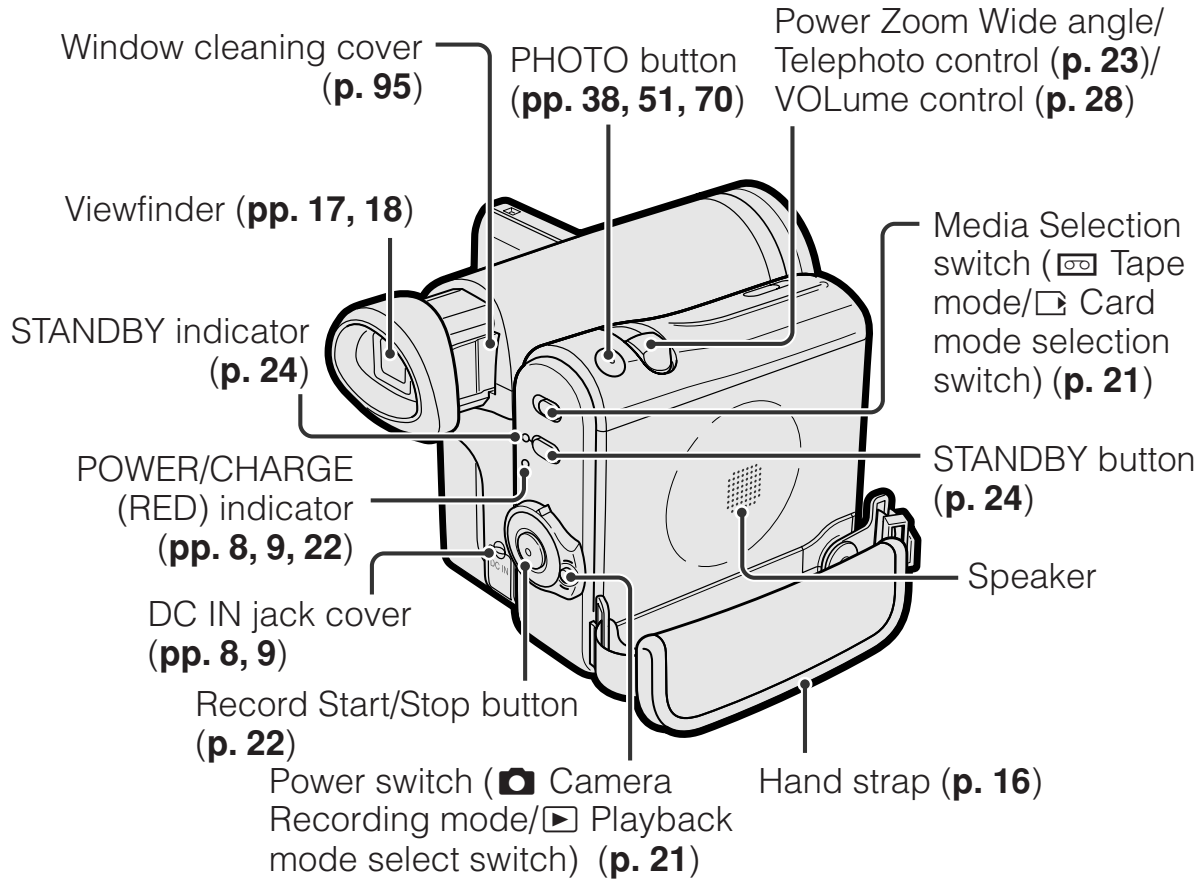
## Left view

Operation References



\* When attaching a tripod with a guide pin, do not attach the pin to the bottom of the camcorder.

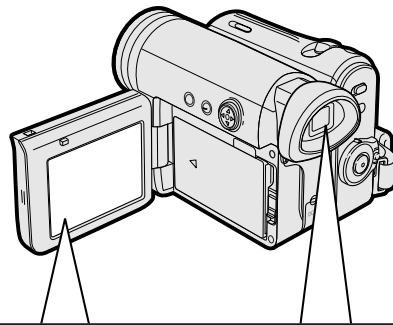
## Right view



# Operation References

## Warning Indicators

If a warning indicator appears on the screen, follow the specified instructions.



Displayed for the first 3 seconds	Displayed after 3 seconds	Description of warning
<b>INSERT A CASSETTE.</b>		There is no video cassette in the camcorder. Insert a cassette (see <b>page 10</b> ).
<b>EJECT THE CASSETTE.</b>	<b>EJECT THE CASSETTE.</b>	The video cassette is defective and should be removed (see <b>page 10</b> ).
<b>CASSETTE NOT RECORDABLE.</b>	<b>-PROTECT. TAB-</b>	The erasure protect tab on the video cassette has been slid to the record-protect position, preventing recording (see <b>page 92</b> ).
<b>THE TAPE ENDS SOON.</b>	<b>-TAPE END-</b>	The tape is about to end. Prepare a new cassette.
<b>CHANGE THE CASSETTE.</b>	<b>TAPE END</b>	The tape has reached the end. Replace it with a new cassette (see <b>page 10</b> ).
<b>BATTERY IS TOO LOW.</b>		The battery is almost depleted. Replace it with a fully charged battery pack (see <b>pages 6, 7</b> ).
<b>DEW</b>	<b>-DEW-</b>	Dew has formed inside the camcorder. Wait a few hours for the dew to dry away (see <b>page vii</b> ). About 10 seconds after this warning appears, the camcorder automatically turns off.
		The video heads are clogged and should be cleaned (see <b>page viii</b> ).
<b>LAMP</b>	<b>LAMP</b>	The fluorescent lamp behind the LCD monitor is close to the end of its service life. Call your local authorized Sharp dealer to have it replaced.
USB	USB	The battery is almost depleted when the camcorder transfers data through the USB cable. Use the AC adapter or fully charged battery pack as the power source (see <b>pages 6-9, 84</b> ).

Displayed for 5 seconds	Description of warning
<b>NO MEMORY CARD</b>	The card is not inserted or is inserted improperly. Check that it is properly inserted (see <b>page 11</b> ).
<b>MEMORY CARD FULL</b>	The capacity of the card is full and cannot store any more images. Delete unnecessary images (see <b>page 78</b> ) or replace the card with a new one (see <b>page 11</b> ).
<b>NO DATA ON MEMORY CARD</b>	The card has no images recorded in the format the camcorder can recognize.
<b>MEMORY CARD ERROR</b>	The images in the card are corrupted or recorded in a format which is not compatible with this camcorder. Format the card to use it with this camcorder (see <b>page 73</b> )*.
<b>FORMAT MEMORY CARD</b>	The card has not been formatted with this camcorder. Format the card (see <b>page 73</b> )*.
<b>MEMORY CARD PROTECTED</b>	The card is write-protected (see <b>page 11</b> ).
<b>DATA PROTECTED</b>	You are trying to delete a protected image. Cancel the protection setting (see <b>page 77</b> ).
<b>MEMORY CARD READ ERROR</b>	The selected image cannot be read by this camcorder. Format the card to use it with this camcorder (see <b>page 73</b> )*.
<b>CANNOT STORE DATA</b>	The card cannot record any data due to a problem with the card or data on the card. Replace the card (see <b>page 11</b> ).
<b>PLEASE USE PHOTO BUTTON</b>	The camcorder cannot record with the Record Start/Stop button in Card Recording mode. Press the PHOTO button (see <b>page 70</b> ).
<b>MAXIMUM 999 IMAGES</b>	The print order cannot be set to more than 999 images.
<b>MAXIMUM FILE NUMBER</b>	You cannot record any image with a file number bigger than 999–9999. Set FILE NO. menu item to “RESET” (see <b>page 74</b> ), then format the card (see <b>page 73</b> )* or replace the card with a new one (see <b>page 11</b> ).

\* Formatting a card erases all stored images, including delete-protected images. Be sure to backup important data on your computer or other media before formatting the card.

**Note:**

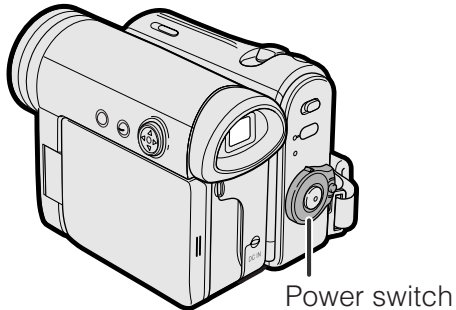
-  indicates a flashing display.

# Preparation

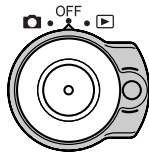
## Attaching and Removing the Battery Pack

### Attaching

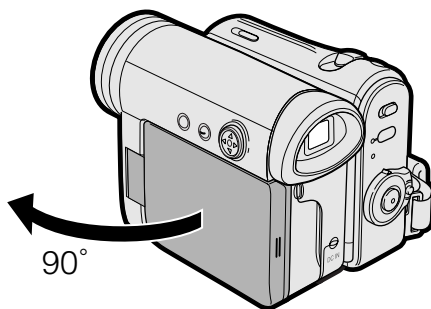
Preparation



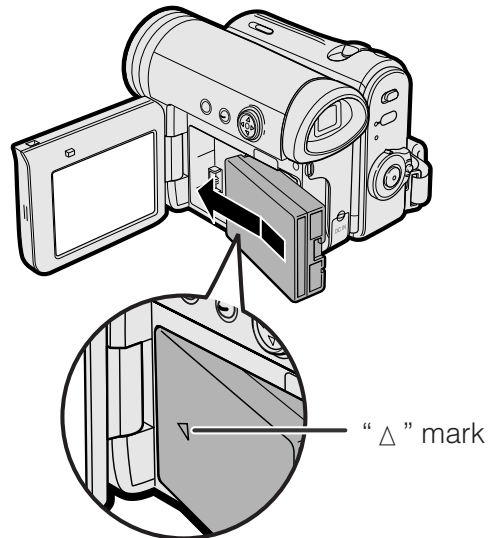
- 1 Make sure that the Power switch is set to OFF.



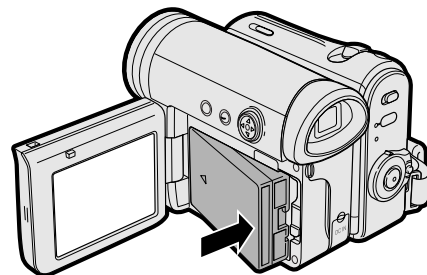
- 2 Open the LCD monitor to a 90° angle to the camcorder body.



- 3 Slide the battery pack in the direction of the arrow with the "Δ" mark facing out.

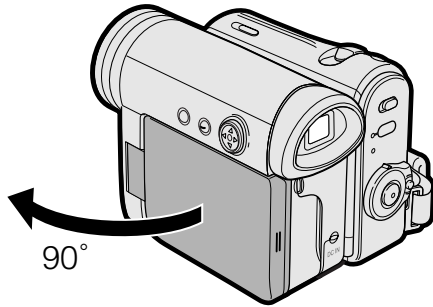


- 4 Push the battery pack in the direction of the arrow until it clicks.

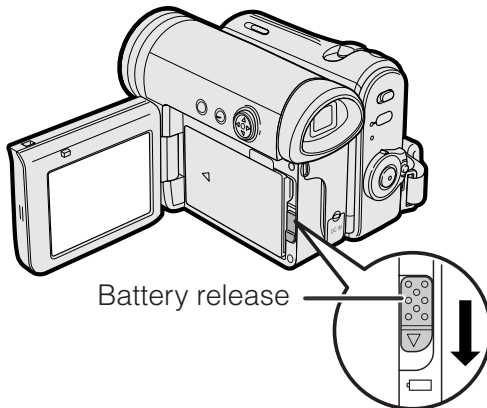


## Removing

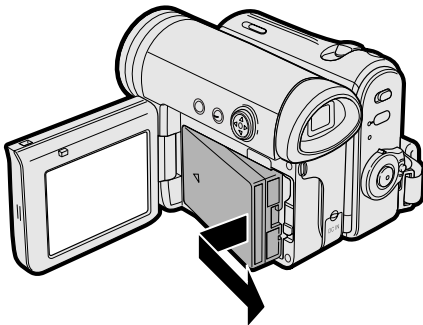
- 1 Make sure that the Power switch is set to OFF, then open the LCD monitor to a 90° angle to the camcorder body.



- 2 Slide the battery release in the direction of the arrow.



- 3 Take the battery pack out.



### Notes:

- **BEFORE REMOVING THE BATTERY PACK, ALWAYS STOP RECORDING OR PLAYBACK AND TURN THE POWER OFF.**

Removing the battery pack while shooting or during playback may damage the tape by causing it to wrap around the video head drum or destroy the card, rendering it unreadable and unwritable.

- Remove the battery pack from the camcorder if you will not use the camcorder for a long period of time.
- Make sure that the battery pack is firmly attached during operation. If it is not, the battery pack may come off or camcorder operation may fail because of the poor contact pressure.
- To prevent damage to the battery pack when removing, be sure to firmly hold the battery pack while pressing the release.
- Use only SHARP model BT-L226 battery packs with this camcorder. Use of other batteries may create a risk of fire or explosion.
- Before closing the LCD monitor, make sure the battery pack is properly attached to the camcorder, otherwise the monitor may be damaged.

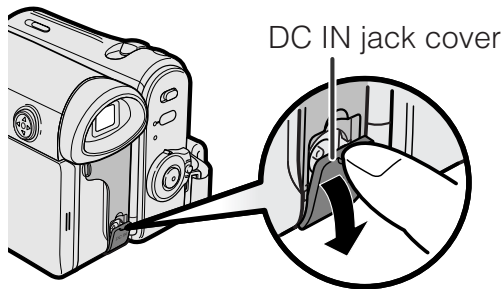


# Preparation

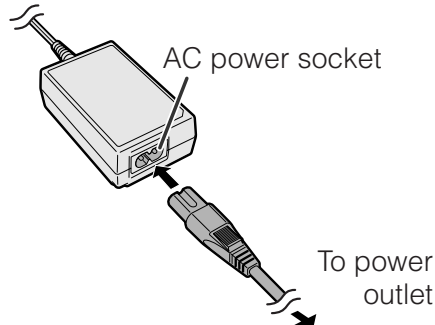
## Charging the Battery Pack

1 Attach the battery pack on the camcorder, and make sure that the Power switch is set to OFF.

2 Open the DC IN jack cover.

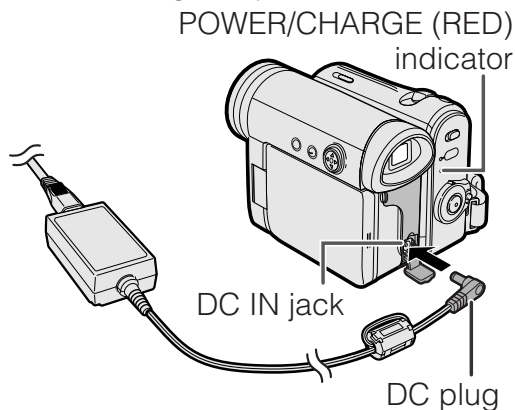


3 Connect the supplied power cord to the AC power socket on the AC adapter, and insert the AC plug into a power outlet.



4 Insert the DC plug into the DC IN jack of the camcorder.

- The POWER/CHARGE (RED) indicator lights up red.



- The POWER/CHARGE (RED) indicator turns off when the battery is charged.

4 Remove the DC plug from the DC IN jack, then remove the AC adapter from the power outlet.

## Charging time and maximum continuous recording and playback times in Tape modes

Battery pack	Charging time	Max. continuous recording time		Max. continuous playback time on LCD
		LCD closed	LCD open	
BT-L226	120	120	105	105

- The chart specifies the approximate times in minutes.

### Notes:

- Charge the battery pack between 10°C and 30°C. The battery pack may not charge properly at temperatures too low or too high.
- The battery pack and AC adapter become warm during charging. This is not a malfunction.
- Using the zoom (see page 23) and other functions or turning the power on and off frequently will increase power consumption. This may result in a decrease in the actual recording time compared to the maximum continuous recording time listed above.
- The charging time and recording time may vary depending on the ambient temperature and the condition of the battery pack.
- See pages 94 and 95 for more information on using the battery pack.
- Charge only SHARP model BT-L226 battery packs. Other types of battery packs may burst, causing personal injury and damage.
- When attaching the supplied audio/video/S-video cable or USB cable, remove the DC plug, open the terminal cover and connect it.

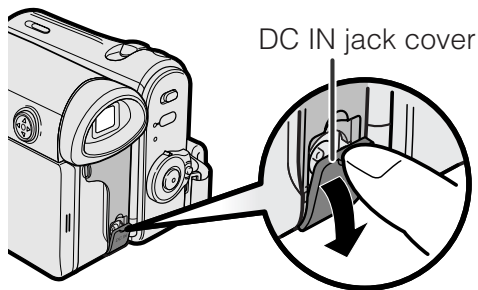
## Powering the Camcorder from an AC Outlet

You can also power the camcorder from a power outlet by using the supplied AC adapter.

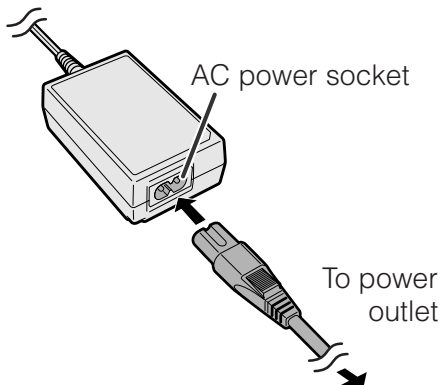
### Note:

- The supplied AC adapter is specially designed for use with this camcorder, and should not be used as a power supply for other camcorders.

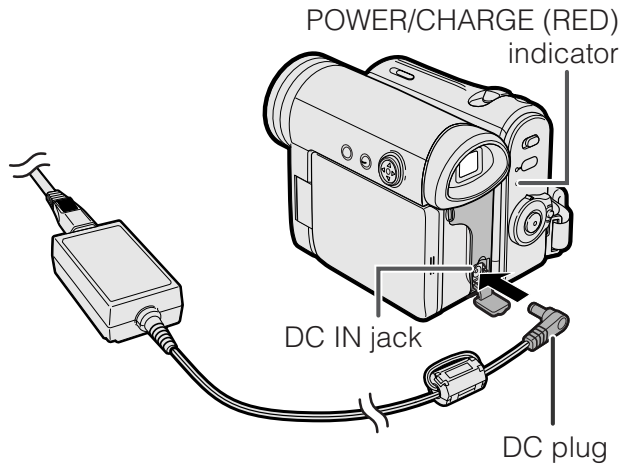
- 1 Make sure that the Power switch is set to OFF.
- 2 Open the DC IN jack cover.





- 3 Connect the supplied power cord to the AC power socket on the AC adapter, and insert the AC plug into a power outlet.



- 4 Insert the DC plug into the DC IN jack of the camcorder.



- 5 Hold down the Lock button and set the Power switch to  or .
  - The POWER/CHARGE (RED) indicator lights up green.

### Notes:

- **BEFORE REMOVING THE DC PLUG, ALWAYS STOP RECORDING OR PLAYBACK AND TURN THE POWER OFF.** Removing the DC plug while shooting or during playback may damage the tape by causing it to wrap around the video head drum or destroy the card, rendering it unreadable and unwritable.
- Disconnect the AC adapter from the camcorder if you will not use the camcorder for a long period of time.

# Preparation

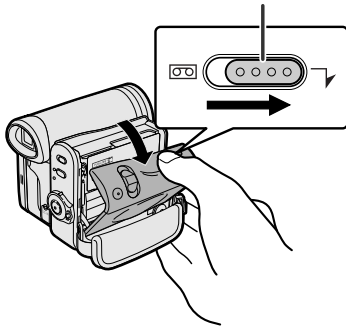
## Inserting and Removing a Cassette

### Inserting

- 1 Attach the power source to the camcorder, then slide and hold the cassette compartment door release as you open the cassette compartment door.

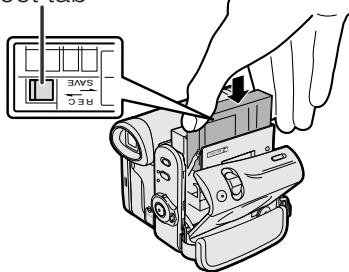
- After confirmation sound, the cassette holder extends and opens automatically.

Cassette compartment door release



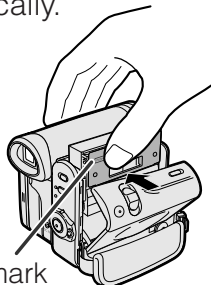
- 2 Insert a commercially available Mini DV cassette fully with the window facing outwards, and with the erasure protect tab facing upwards.

Erasure protect tab

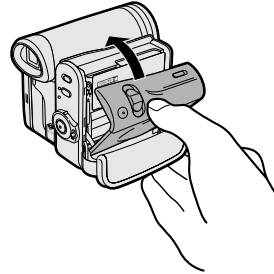


- 3 Press the "PUSH" mark gently until the cassette holder clicks into place.

- The cassette holder retracts automatically.



- 4 Wait for the cassette holder to fully retract. Close the compartment door by pressing its centre until it clicks into place.



### Removing

Perform step 1 above, then take out the cassette.

#### Notes:

- Do not try to close the cassette compartment door while the cassette holder is extending or retracting.
- Be careful not to get your fingers caught in the cassette holder.
- Do not apply force to the cassette holder except when pressing the "PUSH" mark to close it.
- Do not tilt the camcorder or hold it upside down when you are inserting or removing a cassette. It may damage the tape.
- Remove the cassette if you will not use the camcorder for a long period of time.
- If you do not correctly close the cassette holder in step 3, the cassette protection mechanism of the camcorder might eject the cassette. If this happens, repeat the insertion procedure.
- Do not attempt to pick up the camcorder by the cassette compartment door.
- If the battery power is too low, you may not be able to eject the cassette. Replace the battery pack with a fully charged one.
- You can only use Mini DV cassettes. Large DV cassettes cannot be used. Be sure to use Mini DV cassettes with the **Mini DV** mark.
- See page 92 for more information on the video cassette tapes intended for use with this camcorder.

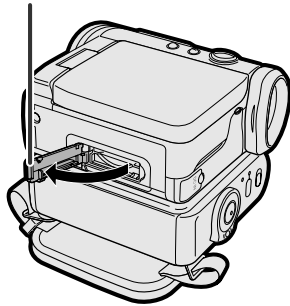
## Inserting and Removing a Card

You can use an SD Memory Card (supplied with VL-Z501D) or a MultiMediaCard (commercially available) for storing still images.

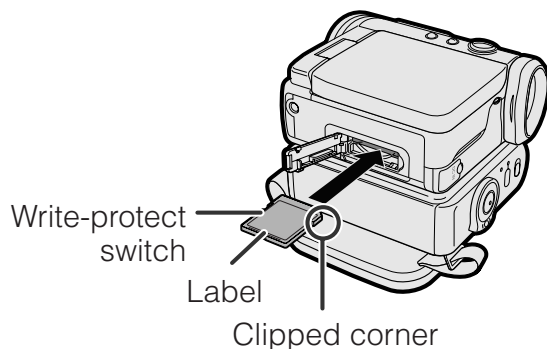
### Inserting

- 1 Make sure that the Power switch is set to OFF.
- 2 Open the card slot cover.

Card slot cover



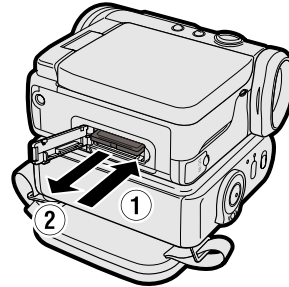
- 3 Insert a card into the slot as shown below, and push it in fully.




- 4 Close the card slot cover securely.

### Removing

Perform steps 1 and 2 above, push the card and release slowly (①). Then pull the card straight out (②) as shown below.



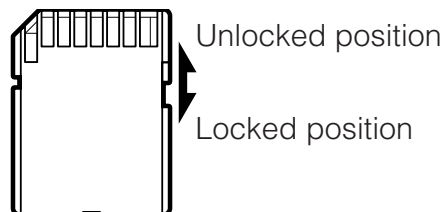
#### Notes:

- You can use only the SD Memory Card or the MultiMediaCard (see page 93).
- The card supplied with VL-Z501D is preformatted for immediate use.
- See page 93 for more information on the cards intended for use with this camcorder.
- **Do not remove the card from the camcorder while recording data on the card (  indicator flashes during recording). This may delete the recorded image or damage the card.**
- **You cannot insert or remove the card when using a tripod.**

### About the write-protect switch

SD Memory Card has a write-protect switch. When the switch is set to the locked position, you cannot record/delete data or format the card. Set it to the unlocked position to record/delete data or format the card.

Back view



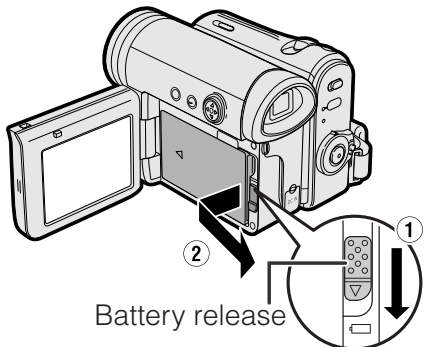
# Preparation

## Installing the Lithium Batteries

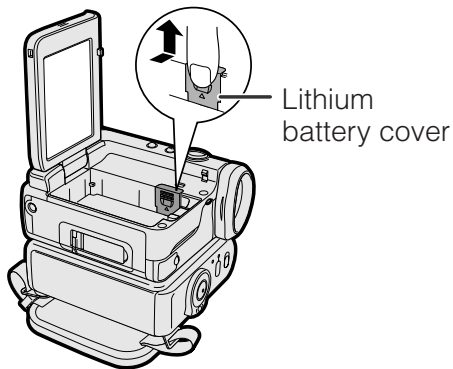
### Installing the Memory Battery

The supplied CR 1216 type lithium battery is used to store the memory of the date and time settings.

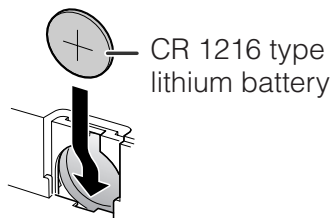
- 1 Make sure that the Power switch is set to OFF.
- 2 Open the LCD monitor to a 90° angle to the camcorder body.
- 3 Slide the battery release in the direction of the arrow, then take the battery pack out.



- 4 Pull out the lithium battery cover in the direction of the arrow.



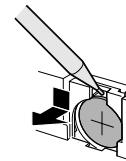
- 5 Insert the smaller lithium battery into the compartment with the + side of the battery facing out.



- 6 Close the lithium battery cover firmly until it clicks into place.

### Removing the Memory Battery

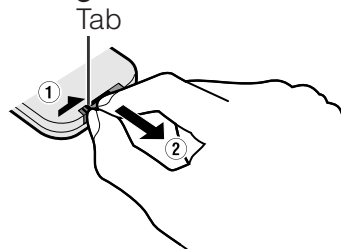
Perform steps 1 to 4 above, then lift out the battery by using a pointed object such as the tip of a ballpoint pen.



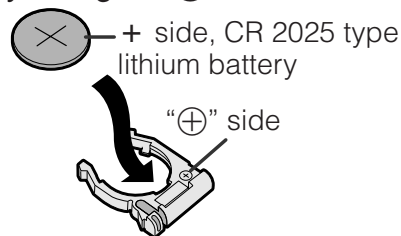
### Installing the Battery to Remote Control (VL-Z501D only)

The CR 2025 type lithium battery supplied with VL-Z501D is used to power the remote control unit.

- 1 Hold the remote control facing down, and pull out the battery holder while pressing the tab toward the centre.



- 2 Insert the larger lithium battery into the battery holder with the + side of the battery facing the ⊕ side of the holder.



- 3 Insert the battery holder back into position.

### Notes on the Use of the Lithium battery

**CAUTION:** Danger of explosion if battery is incorrectly replaced. For camcorder, replace only with same or equivalent type CR1216, for remote control unit, replace only with same or equivalent type CR2025, both recommended by the equipment manufacturer.

**WARNING** KEEP THIS BATTERY AWAY FROM CHILDREN. IF SWALLOWED, CONSULT A PHYSICIAN IMMEDIATELY FOR EMERGENCY TREATMENT.

**CAUTION** BATTERY MAY EXPLODE IF MISUSED OR INSTALLED WITH POLARITY REVERSED. DO NOT RECHARGE, DISASSEMBLE OR DISPOSE OF IN FIRE.

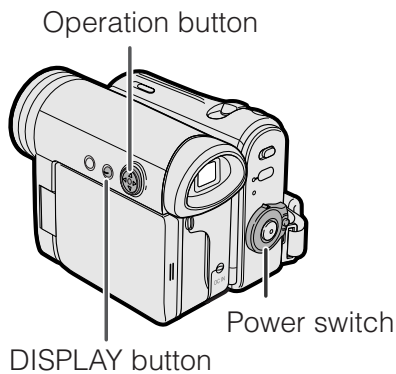
- Do not short-circuit, recharge, disassemble, or heat the lithium battery.
- Should the lithium battery leak, wipe the battery compartment clean, and then insert a new battery.
- The lithium batteries will last about one year under normal usage.

## Selecting the Language for the On-screen Display

### Available modes:

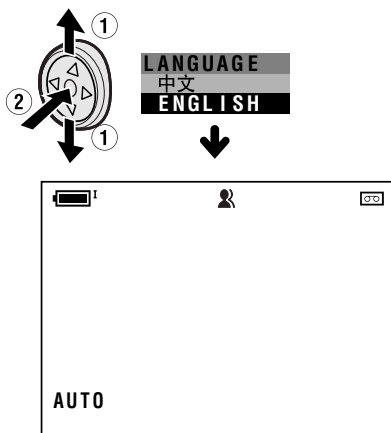
Tape Camera, Card Camera

This camcorder allows you to choose Chinese or English as the on-screen display language.



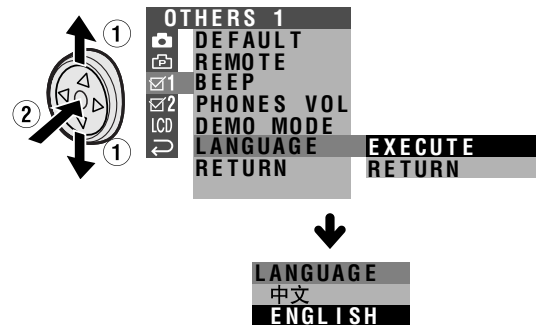
## Setting

- 1 Hold down the Lock button and set the Power switch to .
  - The language selection screen appears.
- 2 Press  $\nabla$  or  $\Delta$  on the Operation button to select the desired language, then press the center of the Operation button.

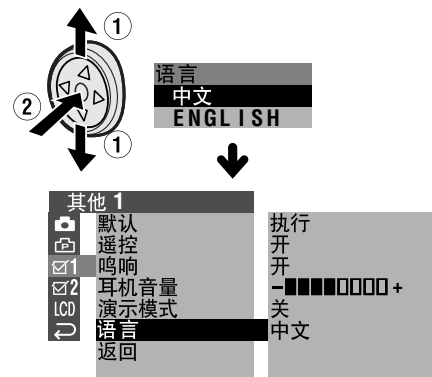


## Changing

- 1 In Tape Camera or Card Camera mode, press the DISPLAY button until the mode screen appears.
- 2 Press  $\nabla$  or  $\Delta$  on the Operation button to select "MENU", then press the centre of the Operation button.
- 3 Press  $\nabla$  or  $\Delta$  to select "EXECUTE", then press the centre of the Operation button.
- 4 Press  $\nabla$  or  $\Delta$  to select  1, then press the centre of the Operation button.
- 5 Press  $\nabla$  or  $\Delta$  to select "LANGUAGE" ("语言"), then press the centre of the Operation button.
- 6 Press  $\nabla$  or  $\Delta$  to select "EXECUTE", then press the centre of the Operation button.
  - The language selection screen appears.



- 7 Press  $\nabla$  or  $\Delta$  to select the desired language, then press the centre of the Operation button.
  - The menu screen displays in the language selected.



- 8 Press the DISPLAY button to turn off the menu screen.

# Preparation

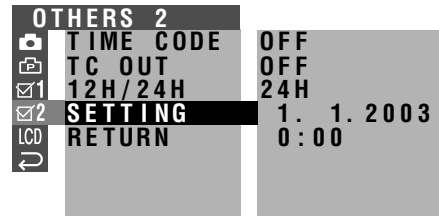
## Setting the Date and Time

### Available modes:

Tape Camera, Card Camera

**Example:** Setting the date to 2 June 2004 (2. 6. 2004) and the time to 10:30 am (10:30).

4 Press  $\nabla$  or  $\Delta$  to select "EXECUTE", then press the centre of the Operation button.



5 Press the centre of the Operation button.



6 Press  $\Delta$  or  $\nabla$  to select "2" (day), then press the centre of the Operation button.



7 Press  $\Delta$  or  $\nabla$  to select "6" (month), then press the centre of the Operation button.



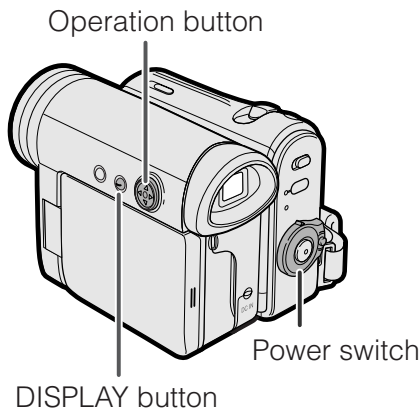
8 Press  $\Delta$  or  $\nabla$  to select "2004" (year), then press the centre of the Operation button.



9 Press  $\Delta$  or  $\nabla$  to select "10" (hour), then press the centre of the Operation button.



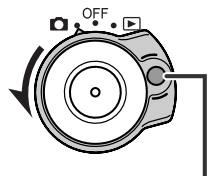
Preparation



### Note:

- Before performing the steps below, make sure that the CR1216 type lithium battery has been installed (see page 12).
- The example screens shown are for Tape Camera mode.

1 Hold down the Lock button and set the Power switch to



2 Press the DISPLAY button until the mode screen appears.



3 Press  $\nabla$  or  $\Delta$  on the Operation button to select "MENU", then press the centre of the Operation button.



- 10 Press  $\Delta$  or  $\nabla$  to select “30” (minute), then press the centre of the Operation button.

**SETTING** 2. 6. 2004  
10:30:00

- The internal clock now starts operating with the seconds display.

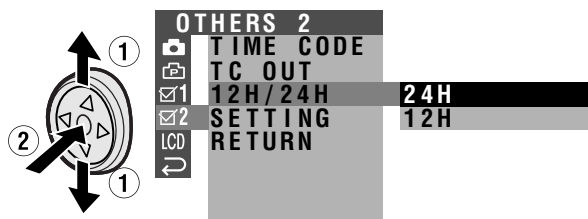
- 11 Press the DISPLAY button to turn off the menu screen.

**Note:**

- If the date and time have been set, the SETTING 1 screen (📷) appears in step 4. Select “SETTING” in the OTHERS 2 screen (☑️ 2) using the Operation button.

## Changing to the 12-hour Time Mode

- 1 After performing step 10 above, press  $\nabla$  or  $\Delta$  to select “12H/24H”, then press the centre of the Operation button.



- 2 Press  $\nabla$  or  $\Delta$  to select “12H”, then press the centre of the Operation button.

**12H/24H** 12H

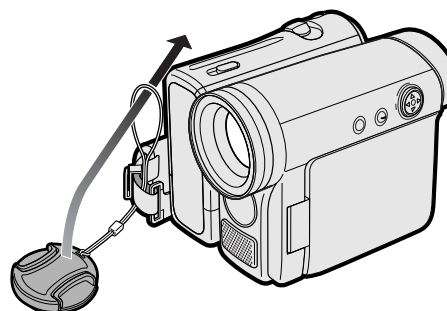
- 3 Press the DISPLAY button to turn off the menu screen.

**Notes:**

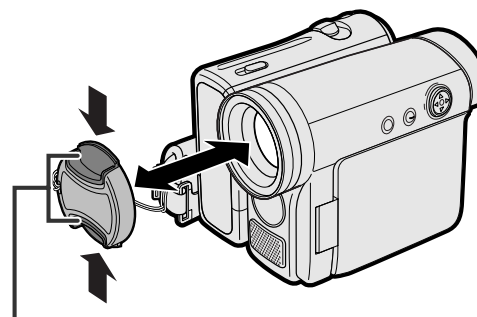
- The date and time, once set, are internally recorded even when not displayed on the screen.
- The menu screen automatically turns off if no settings are made within 5 minutes.

## Using the Lens Cap

Attach the strap of the lens cap to the hand strap as shown below.

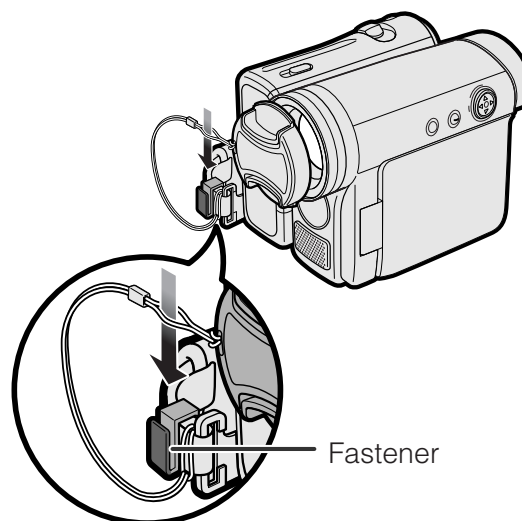


When attaching or removing the lens cap, grasp the indents on both sides of the cap.



Indents

When recording, remove the lens cap and attach the lens cap cord to the fastener so that the cap will not get in the way.



**Note:**

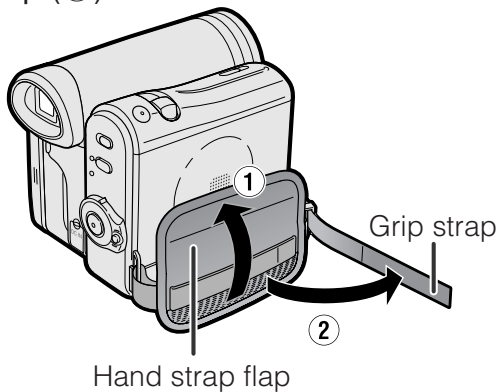
- Always attach the lens cap over the lens when not using the camcorder.



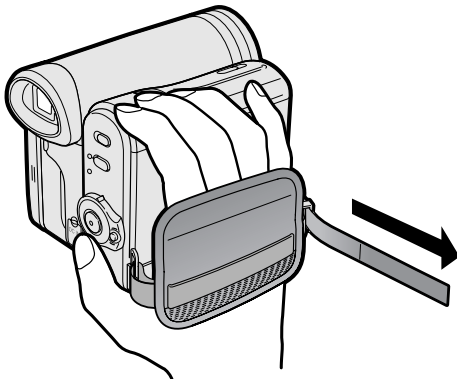
# Preparation

## Adjusting the Hand Strap

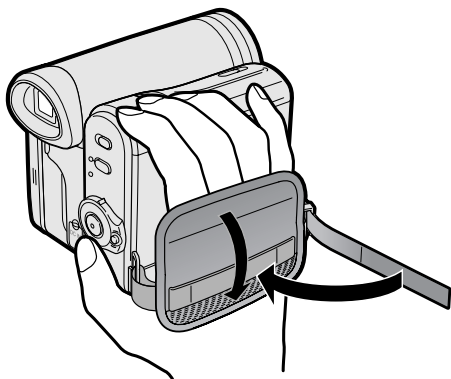
- 1 Open the hand strap flap (①) and grip strap (②).



- 2 Loosen the grip strap, pass your right hand through the hand strap, and put your thumb close to the Record Start/Stop button and your middle finger on the Power Zoom control. Then, pull the grip strap tight until it fits snugly.

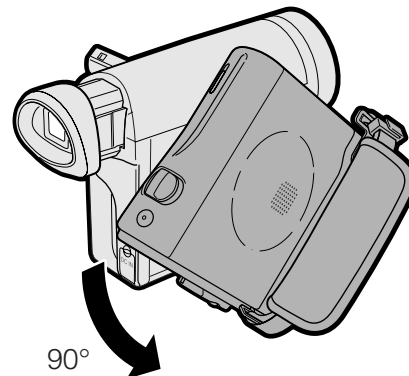
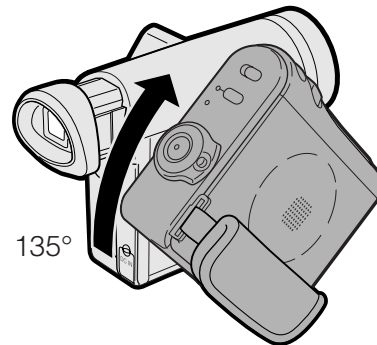


- 3 Seal the Velcro® fasteners of the grip strap and the hand strap flap.



## Using the Grip

Rotate the grip 135° forward or 90° downward so that you can record images easily from high or low angle (see page 20).

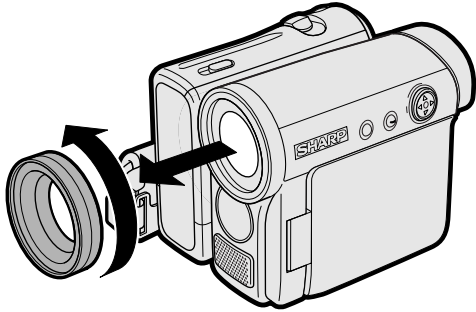


### Note:

- The grip cannot rotate when a tripod is attached.

## Detaching the Lens Hood

Before using a commercially available conversion lens, detach the lens hood as shown below.

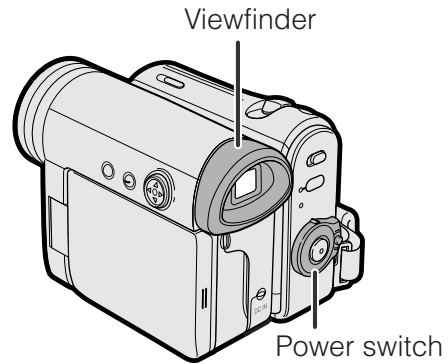


### Note:

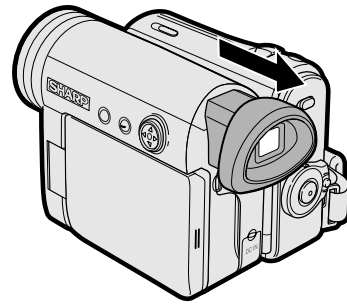
- You cannot attach the supplied lens hood or lens cap to a conversion lens.



## Using the Viewfinder

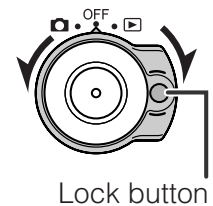
You can record the subject using the electronic viewfinder. You can also watch playback through the viewfinder.



- 1 Pull out the viewfinder completely.



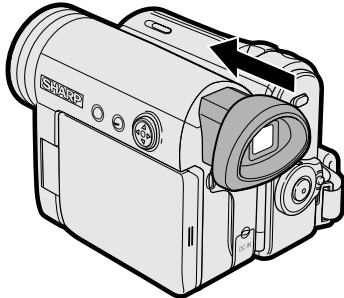
- 2 Hold down the Lock button and set the Power switch to  or .



# Preparation

## Closing the viewfinder

Push in the viewfinder completely.



### Notes:

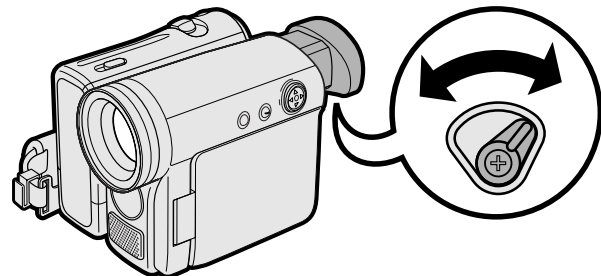
- Do not use excessive force when moving the viewfinder.
- Do not pick up the camcorder by the viewfinder.
- The viewfinder automatically turns off when the LCD monitor is opened. If the vertical rotation of the monitor is 180° when in Tape Camera or Card Camera mode, however, the viewfinder is on and the subject is displayed both in the viewfinder and on the monitor (see page 40).
- You can adjust the settings on the MENU screen through the viewfinder by using the Operation button (see page 31 for use of the Operation button).
- Be sure to close the viewfinder after use.

## Adjusting the dioptre

Adjust the dioptre according to your eyesight when the picture in the viewfinder or the characters on the on-screen display is not clear.

- 1 Pull out the viewfinder completely.
- 2 Hold down the Lock button and set the Power switch to
- 3 While looking through the viewfinder, turn the dioptre adjustment dial until the indicators in the viewfinder are clearly visible.

Dioptre adjustment dial

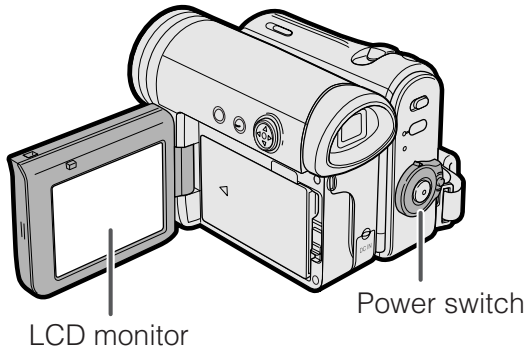


### Note:

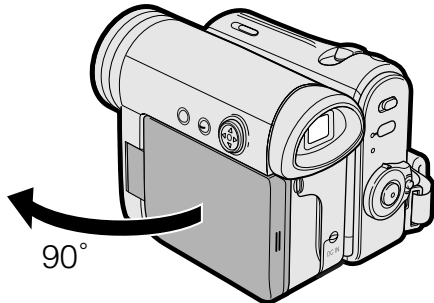
- For cleaning the viewfinder, see page 95.

## Using the LCD Monitor

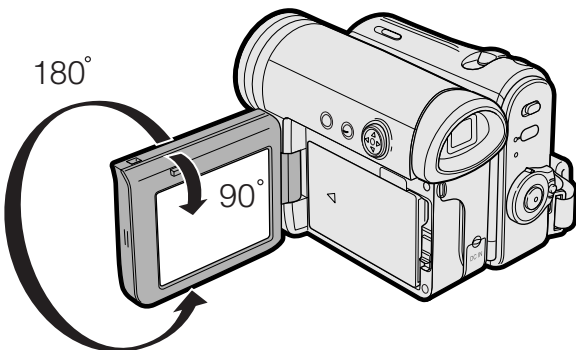
You can use the LCD monitor to play back recordings that you have made or to watch the subject during recording.



- 1 Open the LCD monitor to a 90° angle to the camcorder body.

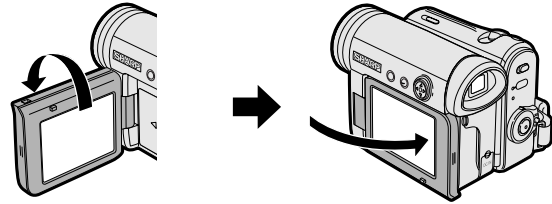




- 2 Adjust the LCD monitor to an angle that allow easy viewing of the on-screen picture.
  - The LCD monitor rotates 270° vertically.

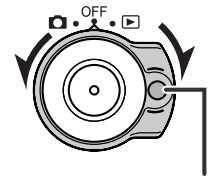


**Note:** Do not try to rotate the LCD monitor vertically until the monitor is completely opened.

- You can also fold the LCD monitor into the camcorder with the screen facing out for watching playback on the monitor.



- 3 Hold down the Lock button and set the Power switch to  or .



- A picture displays on the LCD monitor.

### Note:

- Battery consumption is larger when the LCD monitor is opened. Use the viewfinder instead of the LCD monitor when you want to save the battery power.

## Closing the LCD monitor

Return the LCD monitor to the vertical 90° position with the screen facing in, and fold it into the camcorder into place.

### Notes:

- Do not use excessive force when moving the LCD monitor.
- When closing the LCD monitor, do not tilt it; otherwise the monitor may not close properly and may become damaged.
- Do not pick up the camcorder by the LCD monitor.
- Do not place the camcorder with the LCD monitor screen facing down.
- Close the LCD monitor completely with the screen facing in when not in use.
- Before closing the LCD monitor, make sure the battery pack is properly attached to the camcorder, otherwise the monitor may be damaged.

# Preparation

## Tips on Recording Positions

To create images that are easy to watch during playback, try to record with an upright posture and steady hands to prevent a shaky image.

Preparation

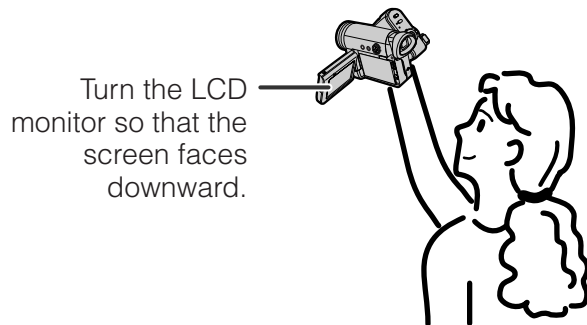
### Holding the camcorder

Put your right hand through the hand strap, and place your left hand under the camcorder for support.

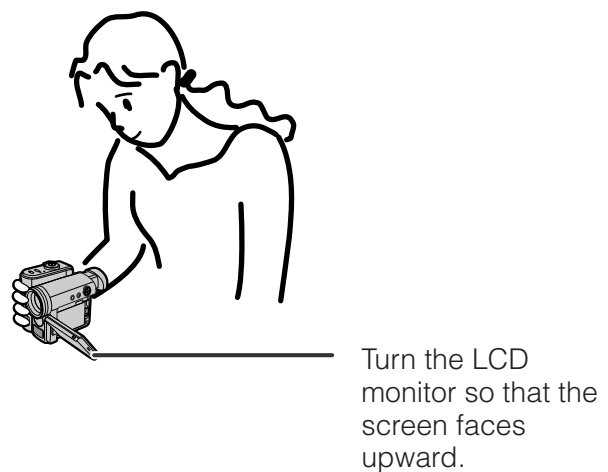
#### Basic posture



#### Shooting from a high angle



#### Shooting from a low angle



#### Note:

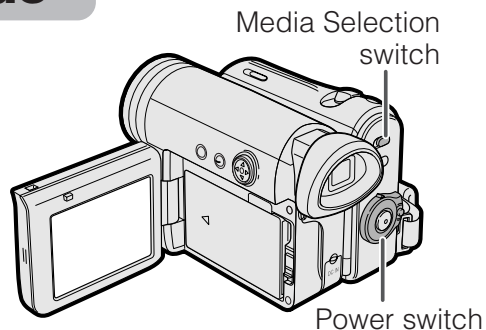
- Take care not to touch the microphone with your fingers during recording. It will cause noise on the audio track.

# Basic Operations

## Camera Recording

### Selecting the Camcorder Mode

This camcorder includes functions for use as both a video camera for recording and playing back images on tapes and as a digital still camera for recording and playing back still images on cards. One of the following camcorder modes needs to be set before starting any operation.



### Camcorder modes

<p><b>Tape Camera mode</b></p> <p>For recording motion and still images on a tape.</p> <p><b>1</b> Set the Media Selection switch to . </p> <p><b>2</b> Hold down the Lock button and set the Power switch to . </p> <p style="text-align: center;">Lock button</p>	<p><b>Tape Playback mode</b></p> <p>For playing back or editing motion and still images recorded on a tape.</p> <p><b>1</b> Set the Media Selection switch to . </p> <p><b>2</b> Hold down the Lock button and set the Power switch to . </p> <p style="text-align: center;">Lock button</p>
<p><b>Card Camera mode</b></p> <p>For recording still images on a card.</p> <p><b>1</b> Set the Media Selection switch to . </p> <p><b>2</b> Hold down the Lock button and set the Power switch to . </p> <p style="text-align: center;">Lock button</p>	<p><b>Card Playback mode</b></p> <p>For playing back still images recorded on a card.</p> <p><b>1</b> Set the Media Selection switch to . </p> <p><b>2</b> Hold down the Lock button and set the Power switch to . </p> <p style="text-align: center;">Lock button</p>

#### Notes:

- To turn the power off, set the Power switch to OFF without pressing the Lock button.
- Do not change the camcorder mode by operating the Media Selection switch during recording or playback, as this may cause damage to the tape or card.

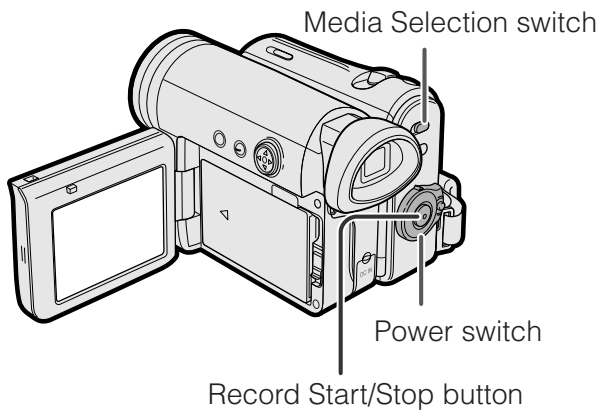
# Basic Operations

## Camera Recording

### Easy Camera Recording on Tape in Full Auto Mode

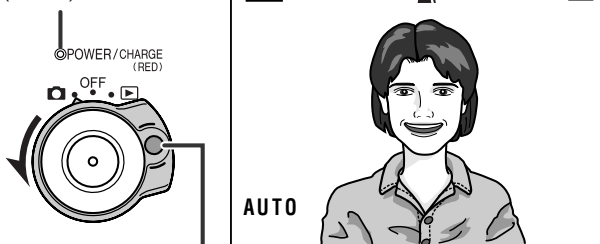
**Available mode:**  
Tape Camera

- Before you start recording, perform the operations described on pages 6 through 20 to prepare your camcorder for recording.



- 1 Remove the lens cap.
- 2 Set the Media Selection switch to .
- 3 Hold down the Lock button and set the Power switch to .
  - The picture from the lens now displays and the POWER/CHARGE (RED) indicator lights up green.
  - The camcorder is now ready to record (Recording Standby mode).

POWER/CHARGE (RED) indicator

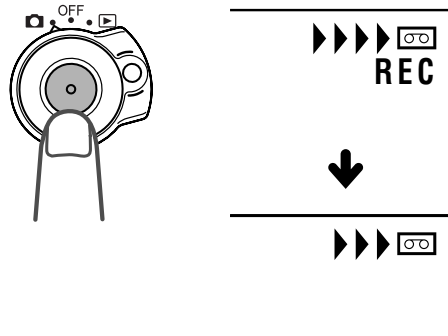


Lock button

**Note:**

- If "AUTO" is not displayed at this time, set the camcorder to Full Auto mode (see page 57).

- 4 Press the Record Start/Stop button to begin recording.



**Note:**

- Before recording an important scene, please perform the recording test, then playback to check if the scene was recorded properly. If noise occurs, use a commercially available cleaning tape to clean the video heads (see page viii).

### Maximum continuous recording and actual recording times in Tape Camera mode

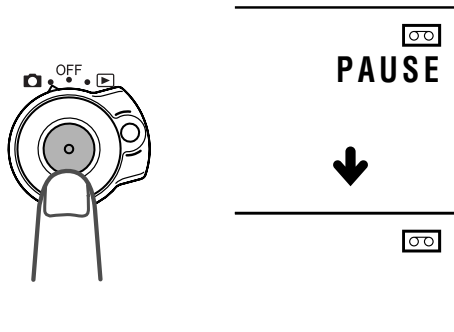
Battery pack	Max. continuous recording time		Actual recording time	
	LCD closed	LCD open	LCD closed	LCD open
BT-L226	120	105	60	55

**Note:**

- Using the zoom (see page 23) and other functions or turning the power on and off frequently will increase power consumption. This may result in a decrease in the actual recording time compared to the maximum continuous recording time listed above.

## To pause recording

Press the Record Start/Stop button again. Recording pauses, and the camcorder enters Recording Standby mode.



## To turn the power off

Set the Power switch to OFF without pressing the Lock button.

### Note:

- If the camcorder remains in Recording Standby mode for more than 5 minutes in Tape Camera mode, the power will automatically turn off to save battery power and to protect the tape from being damaged. To resume recording, set the Power switch to OFF and then back to . (The camcorder will make a confirmation sound when it is left in Recording Standby mode for about 4 minutes.)

## Zooming

### Available modes:

Tape Camera, Card Camera

Zooming allows you to move visually closer to or farther from a subject without physically changing your position.

When using the optical zoom, you can enlarge the subject up to 10×.

Zooming in (when you want to centre attention on the subject)



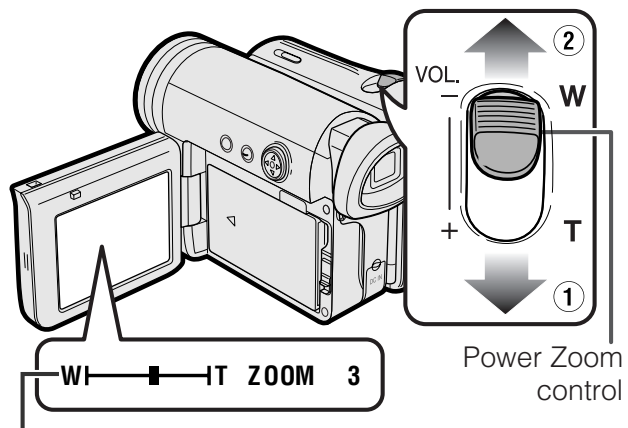
Zooming out (when you want to include the surroundings)

### Zooming in

Push the Power Zoom control to the T (telephoto) side to get a close-up view (①).

### Zooming out

Push the Power Zoom control to the W (wide angle) side to get a wide field of view (②).



Zoom range indicator

- The zoom range indicator shows you the current zoom setting.
- The zoom speed depends on how far you push the Power Zoom control.

### Notes:

- The camcorder is unable to focus when zooming in on subjects within 1.5 m.
- See page 33 for how to use the digital zoom.



# Basic Operations

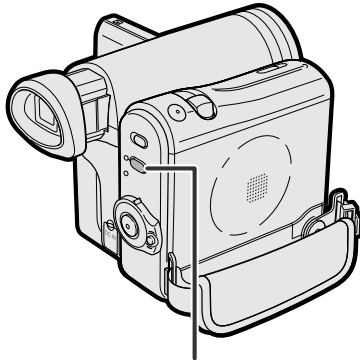
## Camera Recording

### Power Standby Mode

#### Available mode:

Tape Camera

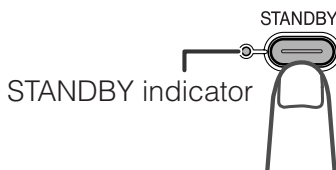
Power Standby mode allows you to prevent accidental recording by locking all operations except cancelling the mode.



STANDBY button

Hold down the STANDBY button for more than 2 seconds when you pause recording in Tape Camera mode.

- The screen turns off and the STANDBY indicator lights up.



#### To resume operation

Press the STANDBY button again to return to the Recording Standby mode.

- It takes about 2 seconds to be able to start recording.

#### Notes:

- Power Standby will cancel and the STANDBY indicator will turn off in these situations below:
  - When the camcorder remains in Power Standby mode more than 5 minutes
  - When the camcorder is set to Card Camera, Tape Playback or Card Playback mode
  - When removing the battery pack
  - When removing a cassette

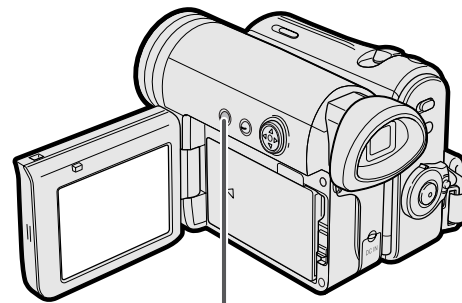
- The camcorder will turn off automatically in 5 minutes after setting Power Standby mode if it remains in Recording Standby mode after canceling Power Standby mode.
  - When Power Standby mode, for example, is cancelled after 3 minutes, the camcorder will turn off if recording is not started within 2 minutes.

### Turning on/off the Backlight

#### Available modes:

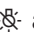
All modes

You can see the on-screen display outdoors on a sunny day or in a location with bright lighting even when the backlight turns off. Also, this function is useful when watching playback on a TV.



LCD LAMP button

Hold down the LCD LAMP button for more than 2 seconds to turn off the backlight.

- "BACKLIGHT OFF" will flash for two seconds, then  appears on the LCD screen.

#### To turn on the backlight

Press the LCD LAMP button.

#### Note:

- The BACKLIGHT OFF mode will cancel when you close the LCD monitor.

## Auto Focus

### Available modes:

Tape Camera, Card Camera

The camcorder is preset to Auto Focus mode, which is designed to focus on most types of subjects. In Auto Focus mode, the camcorder automatically focuses on the subject in the centre of the scene. Always keep the subject in the centre of the scene.

### Notes:

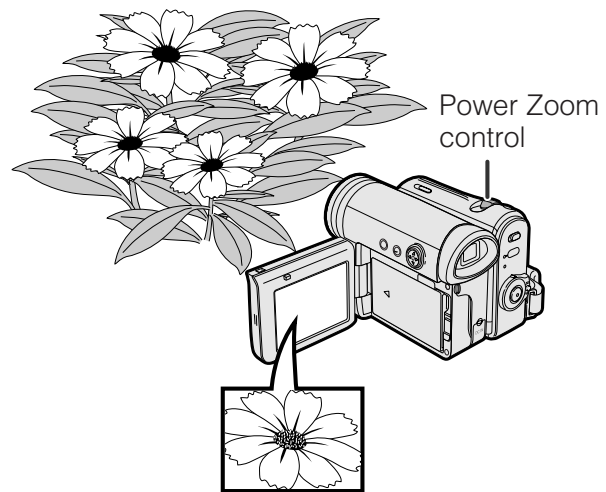
- If no subject is in the centre of the scene, the focus area will expand and the subject nearest the center will be focused on.
- Auto Focus may not work in the situations described on page 52. In these situations, use the manual focus function.
- The camcorder may not be able to focus correctly if the subject is closer than approximately 1.5 m. Set the zoom control to wide angle, and try refocusing again.
- If the lens is dirty or fogged, the camcorder may not be able to focus correctly.

## Macro Shots

### Available modes:

Tape Camera, Card Camera

This camcorder lets you shoot close-up images of small objects such as flowers and insects, or make title frames for your videos. When you want to record a magnified image of a subject which is within approximately 1.5 m of the camcorder, do not zoom in on it. Instead, zoom out all the way by pushing the Power Zoom control to the W side, and then move the camcorder closer to the subject until you obtain the desired angle of view. The camcorder will automatically focus on the subject when the lens is set for the widest angle.



### Note:

- When you are recording a macro shot, be sure that the subject receives sufficient illumination.

# Basic Operations

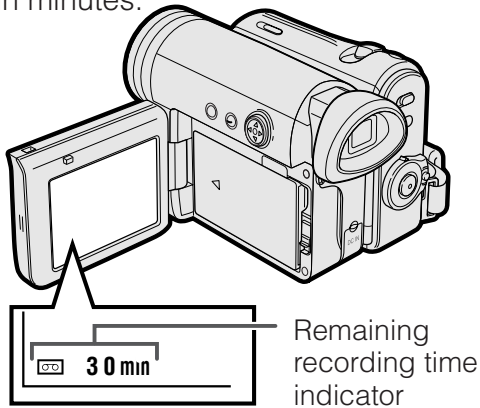
## Camera Recording

### Remaining Recording Time Display

**Available mode:**

Tape Camera

When the camcorder is recording in Tape Camera mode, an on-screen indicator displays the approximate remaining tape time in minutes.



**Notes:**

- The remaining recording time indicator appears when the on-screen indicators are turned on.
- The remaining recording time indicator appears 10 seconds after pressing the Record Start/Stop button to begin recording.
- The remaining recording time indicator only shows the approximate time left. Also, it varies slightly depending on the length of the tape used. (This function is based on the DVM60 tape standard.)

When the remaining recording time reaches 1 minute, a warning indicator will appear. Prepare a new cassette.

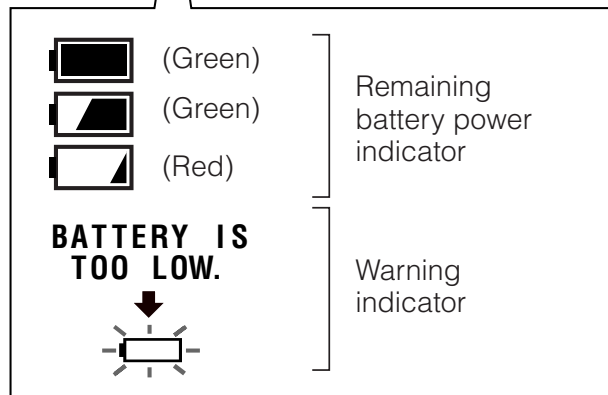
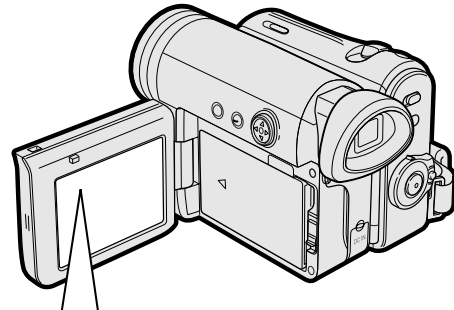
Warning indicator	Approx. remaining time
<p><b>THE TAPE ENDS SOON.</b></p> <p>↓</p> <p><b>-TAPE END-</b></p>	Less than 1 min.
<p><b>CHANGE THE CASSETTE.</b></p> <p>↓</p> <p><b>TAPE END</b></p>	The tape has reached the end.

### Remaining Battery Power Display

**Available modes:**

All modes

When using the camcorder with the battery pack as the power source, the remaining battery power indicator is displayed. If the battery power becomes very low, a warning indicator appears. Replace the battery pack.



**Notes:**

- The remaining battery power indicator appears when the on-screen indicators are turned on.
- Use the remaining battery power indicator only as an approximate indication.
- The remaining battery power indicator may change to either a higher or lower level if you set the Power switch to OFF and then back to or .
- In cold environments, the red remaining battery power indicator may appear sooner.
- Use of the zoom functions when the warning indicator is displayed may cause the camcorder to suddenly lose power.

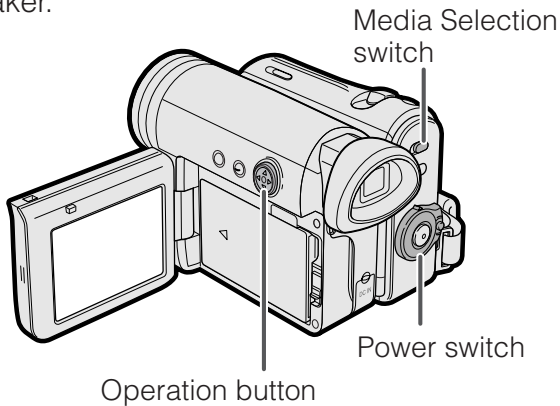
# Basic Operations

## Playback

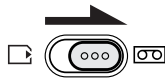
### Tape Playback

**Available mode:**  
Tape Playback

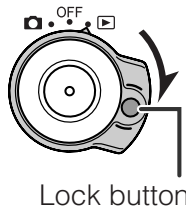
The LCD monitor screen functions as a handy playback monitor. Nothing needs to be connected, allowing instant on-screen playback with the sound through the built-in speaker.



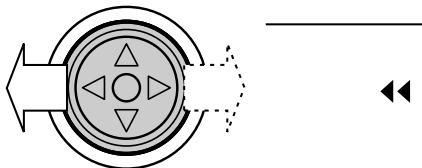
**1** Set the Media Selection switch to .



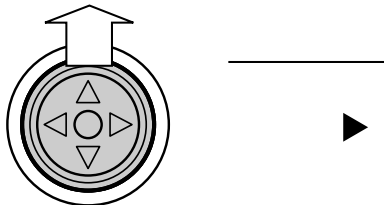
**2** Hold down the Lock button and set the Power switch to .



**3** Press (or ) on the Operation button to rewind (or fast forward) the tape to the desired point.



**4** Press to begin playback.

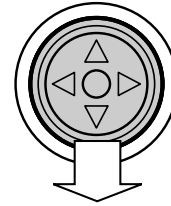


**Note:**

- If you press the Record Start/Stop button in Tape Playback mode, the “||” mark appears and the camcorder enters Recording Standby mode. If you do not intend to record, press to turn the “||” mark off, then press to begin playback. This will ensure your previous recording is not erased (see pages 64–67).

### To stop playback

Press .



### To turn the power off

Set the Power switch to OFF without pressing the Lock button.

**Note:**

- The tape automatically rewinds when playback reaches the end of the tape.

### Watching the playback in the viewfinder

You can also watch the playback in the viewfinder by closing the LCD monitor with the screen facing in. You cannot monitor the sound through the speaker when watching the playback in the viewfinder.

# Basic Operations

## Playback

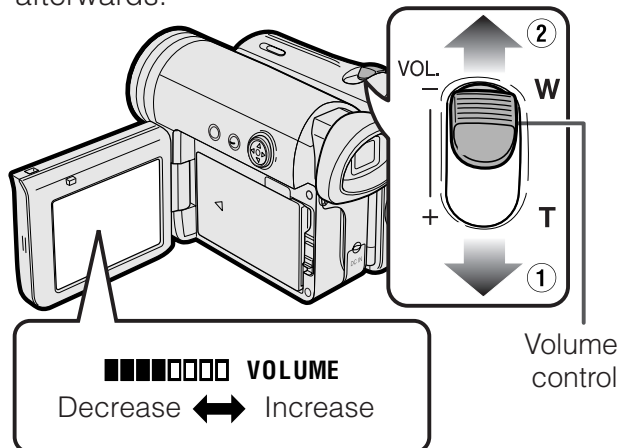
### Volume Control

#### Available mode:

Tape Playback

When the camcorder is in Tape Playback mode, push the Volume control to the + or - side to increase (①) or decrease (②) the volume.

The volume level indicator will appear on the LCD screen during adjustment only. Once the Volume control is released, the volume level indicator will disappear shortly afterwards.



Basic Operations

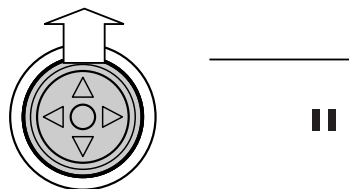
### Still

#### Available mode:

Tape Playback

The still function allows you to pause in Tape Playback mode.

During Tape Playback, press  $\Delta$  on the Operation button.



To return to normal playback, press  $\Delta$  again.

#### Notes:

- The sound is off in Still mode.
- To protect the tape, the camcorder automatically returns to normal playback if it is left in Still mode for more than 5 minutes.

### Video Search

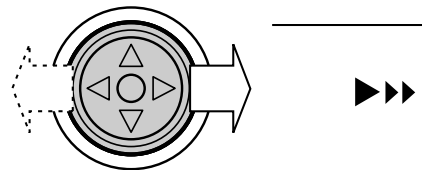
#### Available mode:

Tape Playback

The video search function makes it easy to search for a desired scene on the tape.

### Searching for a Scene Near the Current Tape Position

- 1 During Tape Playback, press  $\triangleright$  (or  $\triangleleft$ ) on the Operation button.
  - The playback picture fast forwards (or reverses).



- 2 When you find the scene, press  $\Delta$  to return to normal playback.

### Searching for a Scene Far from the Current Tape Position

- 1 During fast forward (or rewind) in Tape Playback mode, press and hold  $\triangleright$  (or  $\triangleleft$ ) on the Operation button.
  - The fast forward (or rewind) picture displays.
- 2 If the scene is still rather far from the current tape position, release the Operation button to normal fast forward (or rewind).
- 3 Repeat steps 1 and 2 above until you find the scene.
- 4 Press  $\Delta$  to begin normal playback.

#### Notes:

- The sound is off during search.
- You may experience picture noise during search. This is not a malfunction.

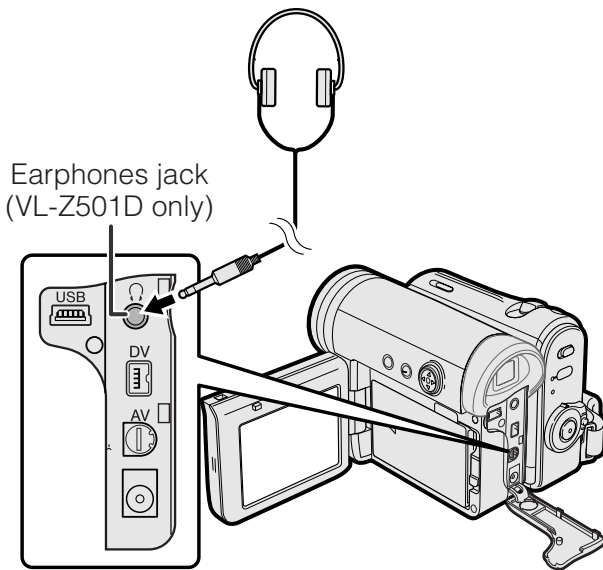
## Using Earphones (Commercially Available, VL-Z501D only)

### Available modes:

Tape Playback, Tape Camera

You can monitor the sound via stereo earphones (commercially available) during playback or recording. Stereo earphones with a 3.5 mm diameter plug can be used with this camcorder.

Connect the plug of stereo earphones to the earphones jack on the camcorder as shown below.



### Notes:



- Before connecting stereo earphones, turn the camcorder volume down to the lowest setting.
- The built-in speaker automatically turns off when stereo earphones are connected to the earphones jack.

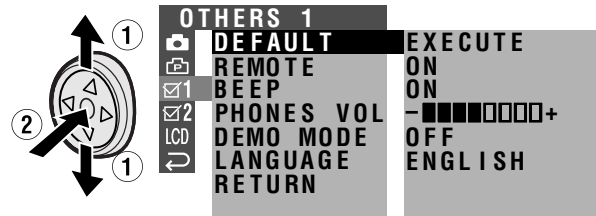
## Adjusting the Phones Volume (VL-Z501D only)

### Available mode:

Tape Camera

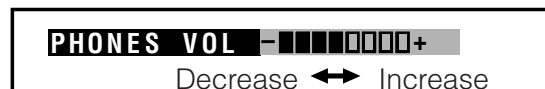
You can adjust the phones volume if sound through the earphones is difficult to hear.

- 1 Set the Media Selection switch to , then hold down the Lock button and set the Power switch to  (see page 21).
- 2 Press the DISPLAY button until the mode screen appears (see page 31).
- 3 Press  $\nabla$  or  $\Delta$  on the Operation button to select "MENU", then press the centre of the Operation button.
- 4 Press  $\nabla$  or  $\Delta$  to select "EXECUTE", then press the centre of the Operation button.
- 5 Press  $\nabla$  or  $\Delta$  to select  1, then press the centre of the Operation button.



**Note:** "PHONES VOL" does not appear with VL-Z301D.

- 6 Press  $\nabla$  or  $\Delta$  to select "PHONES VOL", then press the centre of the Operation button.
- 7 Press  $\triangleleft$  or  $\triangleright$  to adjust to the desired volume level, then press the centre of the Operation button.



- 8 Press the DISPLAY button to turn off the menu screen.

# Basic Operations

## Playback

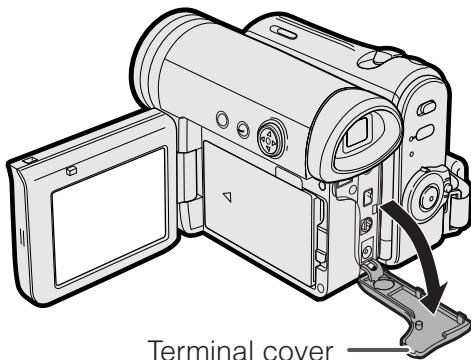
### Watching Playback on a TV

#### Available modes:

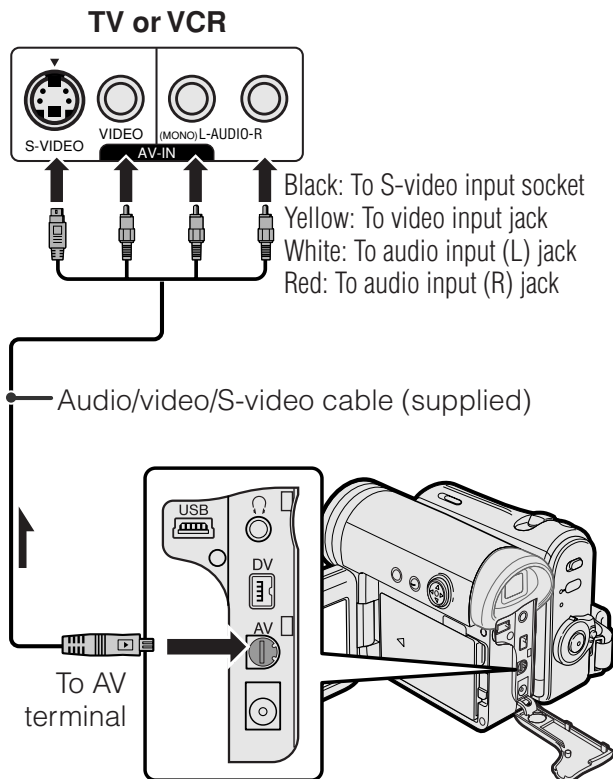
Tape Playback, Card Playback

You can connect the camcorder to a TV to allow a larger audience to enjoy playback.

- 1 Open the terminal cover on the camcorder (see page 2).




- 2 Connect the camcorder to your TV (or VCR) with the supplied audio/video/S-video cable, as shown.



←: The arrow shows the signal flow.

#### Note:

- Check that the camcorder, TV, VCR and other equipment to be used are turned off before making any connections. Picture noise or malfunction may occur if any of the above is left on while making a connection.

- 3 Turn on the TV and set it to the “AV” or “VIDEO” channel. (See the operation manual of your TV.)
  - When connecting to a TV via a VCR, turn on the VCR and set it to the “AV” or “LINE” input channel. Operate the TV as you normally do to view the signal from the VCR. (See the operation manuals of your TV and VCR.)
- 4 Set the Power switch on the camcorder to , and begin playback (see page 27).

#### Notes:

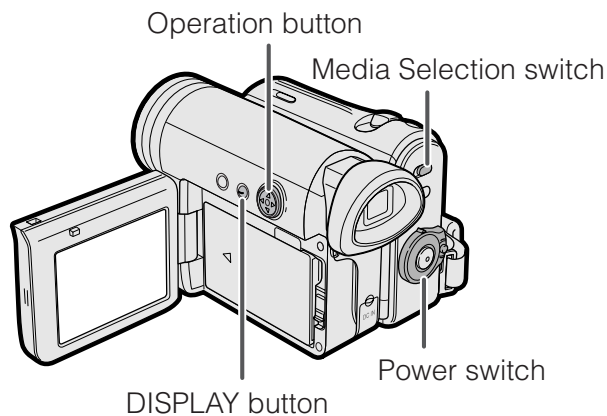
- If your TV or VCR has only one audio input jack, use the white plug for the audio connection on the TV or VCR.
- If your TV or VCR has an S-video input socket, you do not need to connect the yellow video plug.
- Close the terminal cover after use.

### About the S-video socket

S-video sockets are used to separately pass the chroma (colour) and luminance (brightness) components of video signals. They serve to improve the picture quality in both recording and playback.

# Useful Features

## Control Buttons



### Operation button

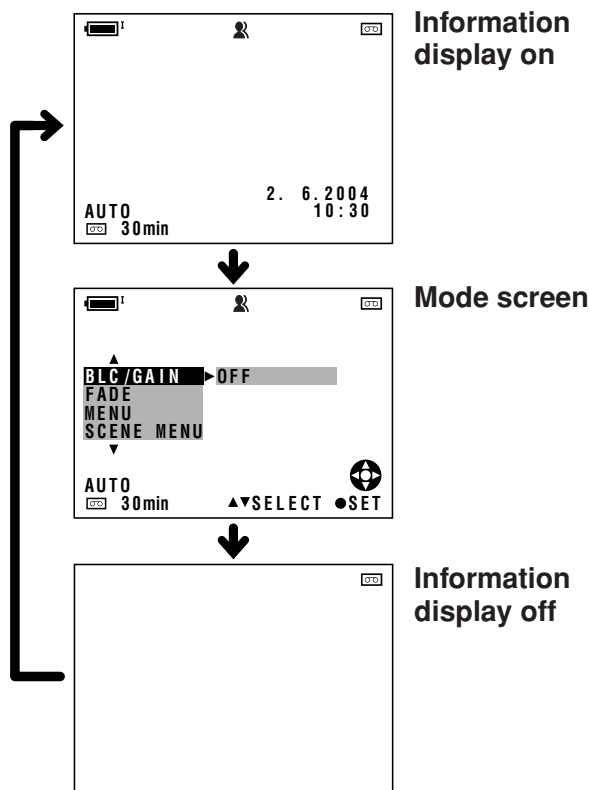
Use the Operation button to select and set the desired setting.



### DISPLAY button

Each time you press the DISPLAY button, the screen changes as shown below.

- The example screens shown are for Tape Camera mode.



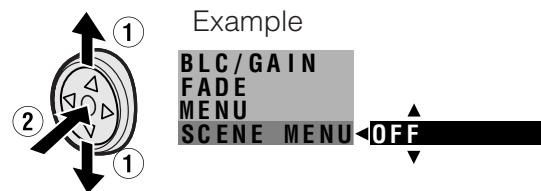
## Using the Mode Screens

In the mode screens, you can adjust the camcorder settings by using the Operation button.

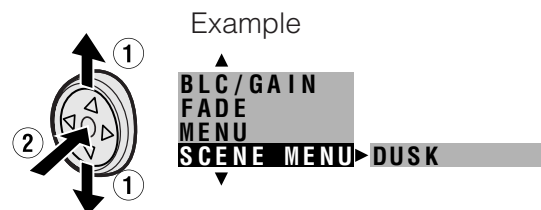
- Set to the desired camcorder mode by using the Media Selection switch and the Power switch (see page 21).
  - See pages 102 to 105 for the mode items you can select in each camcorder mode.
  - Steps 2 to 4 show how to change the SCENE MENU setting in Tape Camera mode.
- Press the DISPLAY button until the mode screen appears.



- Press  $\nabla$  or  $\Delta$  on the Operation button to select the desired mode item (SCENE MENU), then press the centre of the Operation button.



- Press  $\nabla$  or  $\Delta$  to select the desired mode setting (DUSK), then press the centre of the Operation button.



### To turn off the mode screen

Press the DISPLAY button.

#### Note:

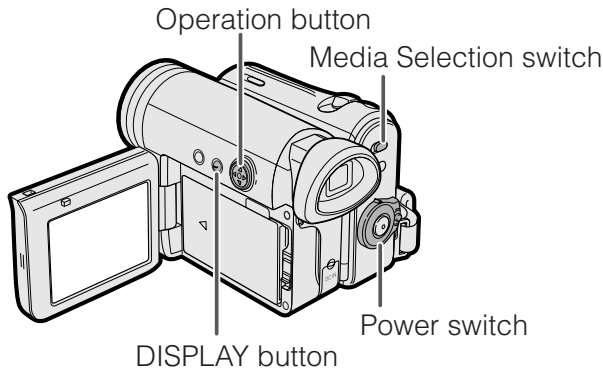
- Items that are not selectable are greyed out.



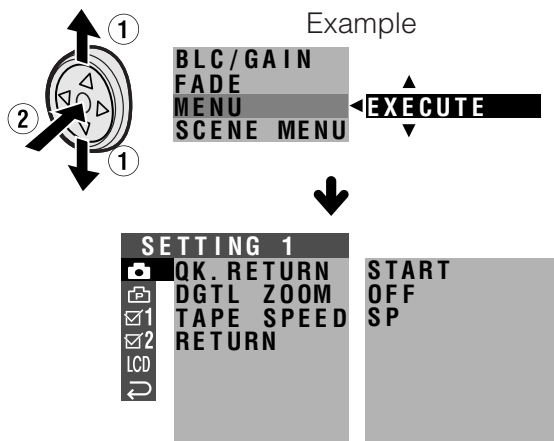
# Useful Features

## Using the Menu Screens

Use the menu screens to adjust the various camcorder settings.



- 1 Set to the desired camcorder mode by using the Media Selection switch and the Power switch (see page 21).
  - See pages 102 to 105 for the menu items you can select in each camcorder mode.
  - Steps 2 to 8 show how to change the DGTL ZOOM menu setting in Tape Camera mode.
- 2 Press the DISPLAY button until the mode screen appears (see page 31).
- 3 Press  $\nabla$  or  $\triangle$  on the Operation button to select "MENU", then press the centre of the Operation button.
- 4 Press  $\nabla$  or  $\triangle$  to select "EXECUTE", then press the centre of the Operation button.

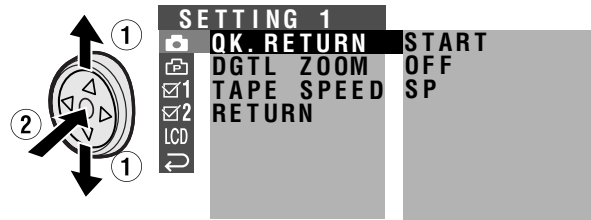


**Note:**

- The menu screen does not appear during recording.

- 5 Press  $\nabla$  or  $\triangle$  to select the desired menu screen (📷), then press the centre of the Operation button.

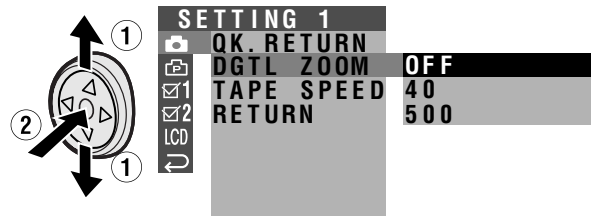
Example



- You can press  $\triangleright$ , instead of the centre of Operation button.

- 6 Press  $\nabla$  or  $\triangle$  to select the desired menu item (DGTL ZOOM), then press the centre of the Operation button.

Example



- You can press  $\triangleright$ , instead of the centre of the Operation button.

- 7 Press  $\nabla$  or  $\triangle$  to select the desired menu setting (40), then press the centre of the Operation button.

**DGTL ZOOM 40**

- You can press  $\triangleleft$ , instead of the centre of the Operation button.
- To adjust another menu item, press  $\nabla$  or  $\triangle$  to select "RETURN" and press the centre of the Operation button, then perform steps 5 to 7.

- 8 Press the DISPLAY button to turn off the menu screen.

**Notes:**

- Certain menu items are common to all camcorder modes. If the BEEP menu item, for example, is set to "OFF" in Tape Camera mode, it will be automatically set to "OFF" in other modes.
- The menu screen automatically turns off if no settings are made within 5 minutes.
- Items that are not selectable are greyed out.

# Useful Features

## Camera Recording

### Setting the Digital Zoom

#### Available mode:

Tape Camera


You can select three different zoom ranges: 1–10× (optical zoom), 10–40× (digital zoom) or 10–500× (digital zoom). The digital zoom allows you to record powerful close-up pictures with the same operation as normal zooming.

#### Notes:

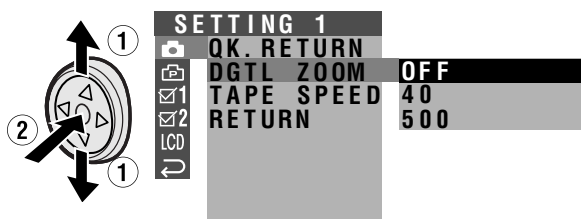
- The digital zoom is in addition to the optical zoom giving a combined maximum zoom range of 1–500×.
- **As the image is enlarged digitally, the picture quality decreases when higher digital zoom settings are used.**

- 1 In Tape Camera mode, press the DISPLAY button until the mode screen appears.



- 2 Press  $\nabla$  or  $\triangle$  on the Operation button to select “MENU”, then press the centre of the Operation button.
- 3 Press  $\nabla$  or  $\triangle$  to select “EXECUTE”, then press the centre of the Operation button.
- 4 Press  $\nabla$  or  $\triangle$  to select , then press the centre of the Operation button.

- 5 Press  $\nabla$  or  $\triangle$  to select “DGTL ZOOM”, then press the centre of the Operation button.

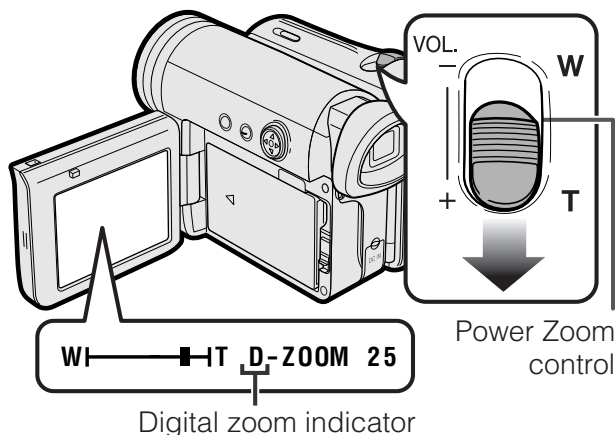


- 6 Press  $\nabla$  or  $\triangle$  to select “40” or “500”, then press the centre of the Operation button.

**DGTL ZOOM 40**

- 7 Press the DISPLAY button to turn off the menu screen.

The “D” digital zoom indicator is displayed during digital zooming.



#### To use optical zoom only

Select “OFF” in step 6 above.

# Useful Features

## Camera Recording

### Backlight Compensation (BLC)

#### Available modes:

Tape Camera, Card Camera

When the subject is backlit, the image will appear dark if it is recorded normally. Use the backlight compensation (BLC) function to improve the picture.

- The example screens shown are for Tape Camera mode.

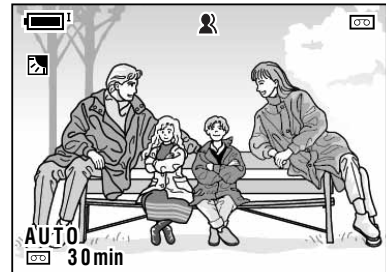
- 1 In Tape Camera or Card Camera mode, press the DISPLAY button until the mode screen appears.



- 2 Press ▽ or ▲ on the Operation button to select “BLC/GAIN”, then press the centre of the Operation button.
- 3 Press ▽ or ▲ to select “ON [BLC icon]”, then press the centre of the Operation button.



- 4 Press the DISPLAY button to turn off the mode screen.
  - “[BLC icon]” appears when on-screen indicators are turned on, indicating that the backlight compensation is now working.



#### To cancel the backlight compensation function

Select “OFF” in step 3 above.

## Gain-up

### Available modes:

Tape Camera, Card Camera


When you are recording in a dark or poorly illuminated location, "LIGHT" is displayed on the screen. Use the gain-up function to record a brighter picture.

### Note:


- At locations where lighting is adequate, "LIGHT" will not appear. The gain-up function cannot be used in this case.
- The example screens shown are for Tape Camera mode.

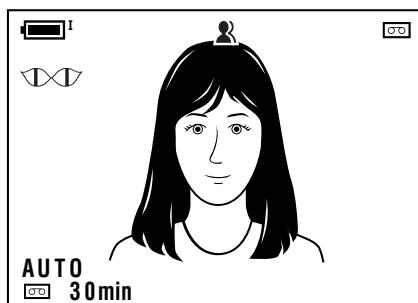
- 1 In Tape Camera or Card Camera mode, press the DISPLAY button until the mode screen appears.



- 2 Press  $\nabla$  or  $\triangle$  on the Operation button to select "BLC/GAIN", then press the centre of the Operation button.
- 3 Press  $\nabla$  or  $\triangle$  to select "ON ", then press the centre of the Operation button.






- 4 Press the DISPLAY button to turn off the mode screen.
  - "" appears when on-screen indicators are turned on, indicating that the gain-up function is now working.



## To cancel the gain-up function

Select "OFF" in step 3 above.

### Notes:

- You may experience some picture noise in Gain-up mode, which increases when the  appears.
- When the  indicator appears, you may get a shadow image behind a subject that is moving around a lot.
- Fine brightness adjustments are possible when using manual iris (see page 55).
- The  indicator will disappear and Gain-up mode will cancel if you aim the camcorder in a bright location.

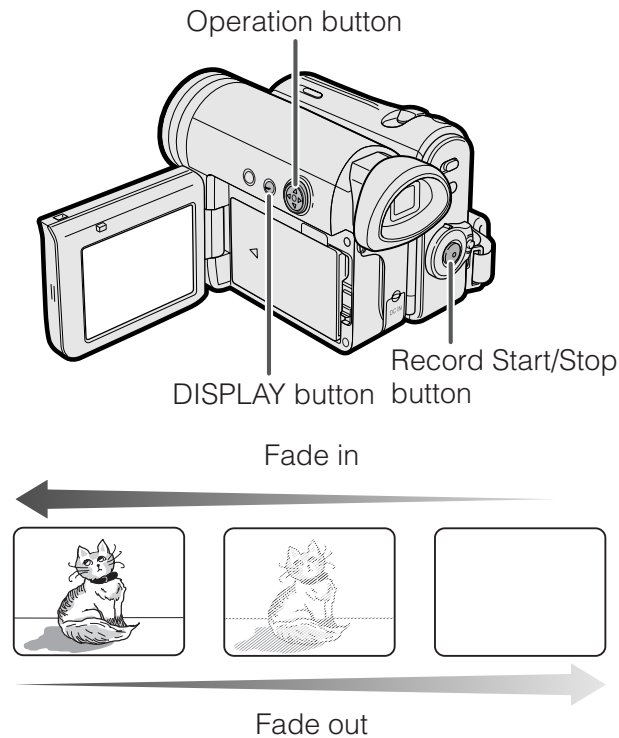
# Useful Features

## Camera Recording

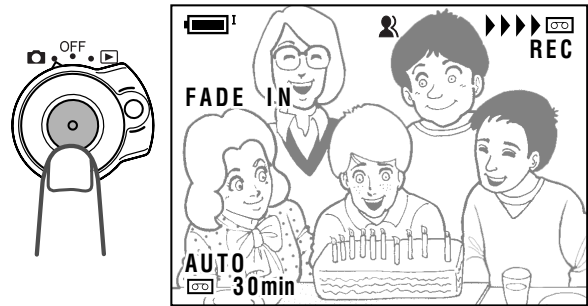
### Fade In and Fade Out

**Available mode:**  
Tape Camera

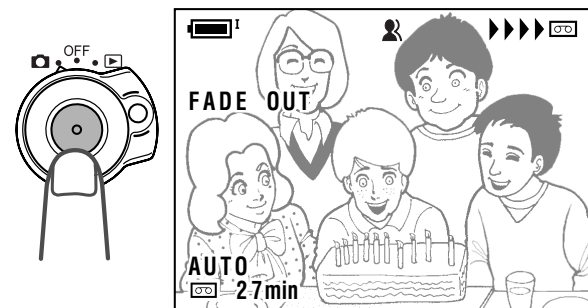
The fade function allows you to gradually bring the image and sound in or out at the beginning or end of a scene for creating scene transitions. This is especially effective in creating a dramatic change in scenery.



- 4 Press the DISPLAY button until on-screen indicators appear.
- 5 Press the Record Start/Stop button to begin recording.
  - The picture turns white, and the image and sound fade in.



- 6 Press the Record Start/Stop button at the point where you wish to stop recording.
  - The image and sound fade out as the picture gradually turns white. The camcorder then returns to Recording Standby mode.



#### To cancel Fade mode

Select "OFF" in step 3 above.

#### To use Fade Out only

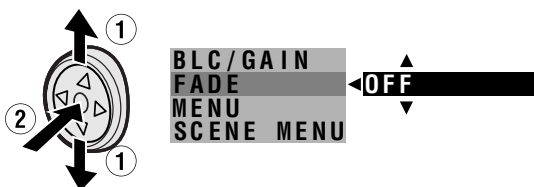
- 1 During camera recording in Tape Camera mode, press the DISPLAY button until the mode screen appears.
- 2 Perform steps 2 and 3 in "Using".
- 3 Press the Record Start/Stop button at the point where you wish to stop recording.

#### Note:

- Fade mode automatically cancels after Fade Out.

### Using

- 1 In Tape Camera mode, press the DISPLAY button until the mode screen appears.
- 2 Press  $\nabla$  or  $\Delta$  on the Operation button to select "FADE", then press the centre of the Operation button.




- 3 Press  $\nabla$  or  $\Delta$  to select "ON", then press the centre of the Operation button.

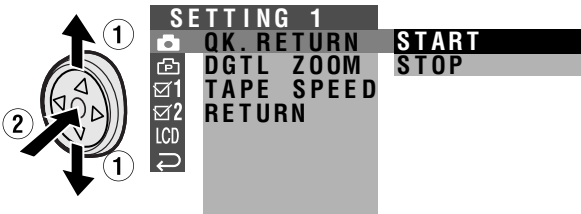
## Quick Return

### Available mode:

Tape Camera

If while playing back your tape you want to quickly return to the last recorded scene and start recording again, use the quick return function.

- 1 Set the camcorder to Tape Camera mode.
- 2 In Recording Standby mode, press the DISPLAY button until the mode screen appears.
- 3 Press  $\nabla$  or  $\triangle$  on the Operation button to select "MENU", then press the centre of the Operation button.
- 4 Press  $\nabla$  or  $\triangle$  to select "EXECUTE", then press the centre of the Operation button.
- 5 Press  $\nabla$  or  $\triangle$  to select , then press the centre of the Operation button.
- 6 Press  $\nabla$  or  $\triangle$  to select "QK. RETURN", then press the centre of the Operation button.



- 7 Press  $\nabla$  or  $\triangle$  to select "START", then press the centre of the Operation button.

- "SEARCH" flashes, and the tape begins fast forwarding or rewinding to the end of the last recorded scene.



- When the tape reaches the end of the last recorded scene, "FINISHED" is displayed, and the camcorder enters Recording Standby mode.

- 8 Press the DISPLAY button to turn off the menu screen.

### Notes:

- To cancel the quick return function while "SEARCH" is flashing, press the centre of Operation button twice.
- Quick return will not work if you remove the cassette and reload it after recording or if nothing has been recorded since loading.

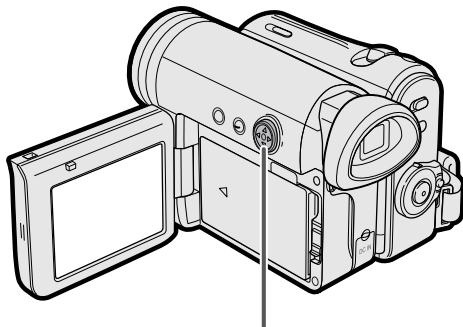
# Useful Features

## Camera Recording

### Edit Search

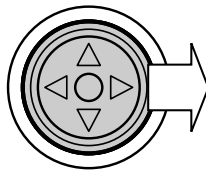
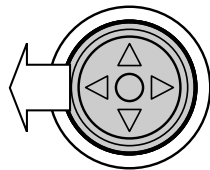
**Available mode:**  
Tape Camera

The edit search function lets you search, without switching from Tape Camera mode to Tape Playback mode, for the point on the tape where you wish to start recording next.



Operation button

- 1 Set the camcorder to Tape Camera mode.
- 2 In Recording Standby mode, press and hold down ◀ (reverse edit search) or ▶ (forward edit search) on the Operation button.
- 3 When you find the point where you want to begin recording, release the button.



**Notes:**

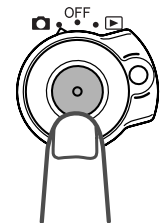
- The sound is off during search.
- Forward edit search is performed at the same speed as normal playback, and reverse edit search at 6.5 times the normal playback.
- You may experience picture noise during reverse edit search.

### Still Recording on Tape

**Available mode:**  
Tape Camera

You can record continuous still images of subjects.

- 1 Set the camcorder to Tape Camera mode.
- 2 In Recording Standby mode, press the PHOTO button fully.
  - A still image of the subject is displayed.
- 3 Press the Record Start/Stop button.
  - The still image of the subject will be recorded.



#### To pause recording

Press the Record Start/Stop button.

#### To cancel the still image

Press the PHOTO button fully.

**Notes:**


- Still Recording can also be used during recording by pressing the PHOTO button fully.
- The picture quality in Still Recording function will be slightly lower than normal pictures.

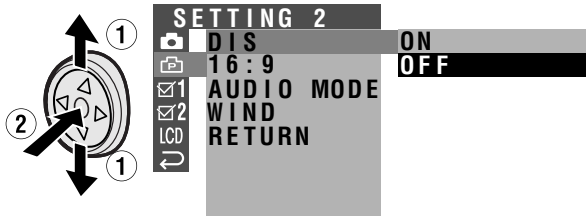
## Digital Image Stabilization (DIS)

### Available mode:

Tape Camera

The digital image stabilization (DIS) function allows you to stabilize the image by electronically compensating for relatively minor image shaking that is often annoying in close-up shots.

- 1 In Tape Camera mode, press the DISPLAY button until the mode screen appears.
- 2 Press  $\nabla$  or  $\Delta$  on the Operation button to select "MENU", then press the centre of the Operation button.
- 3 Press  $\nabla$  or  $\Delta$  to select "EXECUTE", then press the centre of the Operation button.
- 4 Press  $\nabla$  or  $\Delta$  to select , then press the centre of the Operation button.
- 5 Press  $\nabla$  or  $\Delta$  to select "DIS", then press the centre of the Operation button.



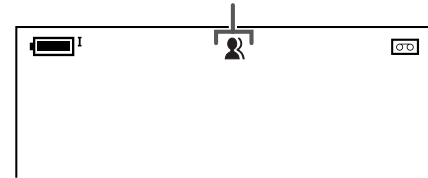
- 6 Press  $\nabla$  or  $\Delta$  to select "ON", then press the center of the Operation button.

**DIS ON**


- 7 Press the DISPLAY button to turn off the menu screen.

- The DIS indicator only appears when the on-screen indicators are turned on.

DIS indicator



### To cancel DIS function

Select "OFF" in step 6 above. The  indicator will disappear.

### Notes:

- The DIS function cannot compensate for excessive image shaking.
- When image shaking does not occur (e.g. when using the camcorder on a tripod), turn off the DIS function. The picture will appear more natural when the DIS function is off.



# Useful Features

## Camera Recording

### Self Recording

#### Normal self recording



##### Available modes:


Tape Camera, Card Camera

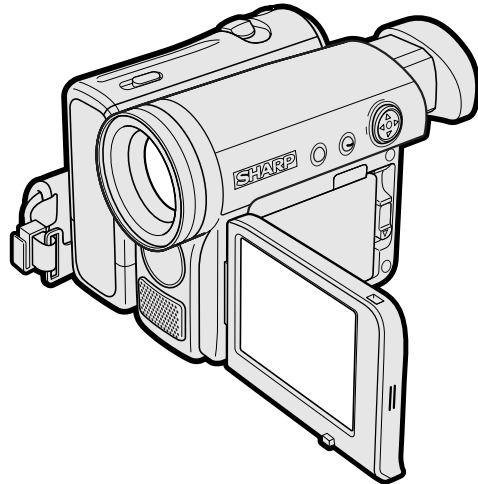
Open the LCD monitor and rotate it 180° vertically so that the screen faces the other way and the subject can monitor the shot while you are recording with the viewfinder.

If the camcorder is steadied, you can record yourself in the scene by watching yourself on the LCD monitor. The remote control (only supplied with VL-Z501D) is useful for such occasions.



**2** Set the Media Selection switch to  or .

**3** Set the Power switch to .  
• The subject is displayed in the viewfinder, and a mirror image of the subject is displayed on the LCD monitor.

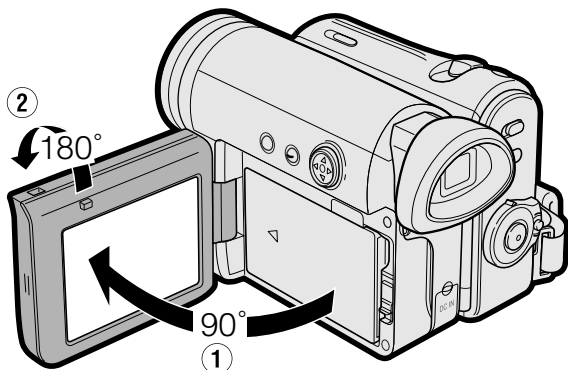


**4** Begin recording.

##### Notes:

- Use the remote control (only supplied with VL-Z501D) to begin/stop recording on tape.
- You can play back images while the monitor is in the self recording position. Set the camcorder to Tape Playback or Card Playback mode.

**1** Pull out the viewfinder completely. Open the LCD monitor to a 90° angle to the camcorder body (①), and then rotate it 180° vertically (②).

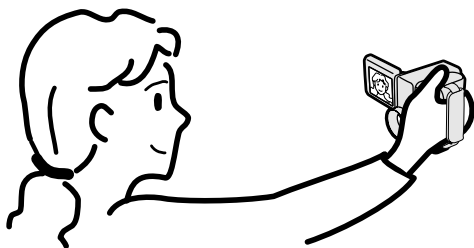


## Self recording with reversed grip

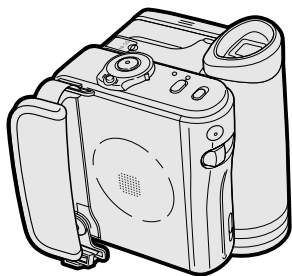
### Available mode:

Tape Camera

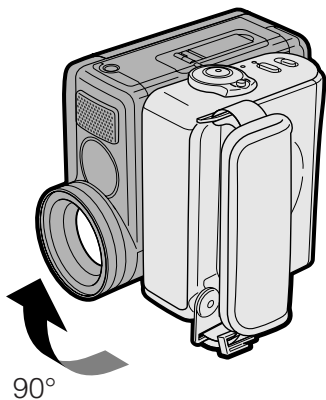
Rotate the grip 90° and the LCD monitor 180° vertically so that you can record yourself while holding the grip.



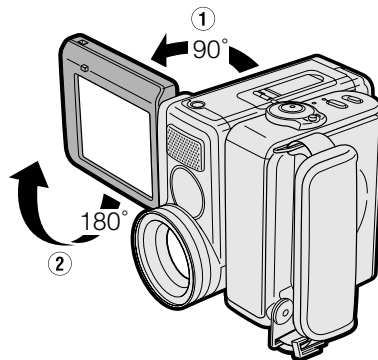
- 1 Turn the camcorder downward as shown below.





- 2 Rotate the lens section 90° vertically as shown below.





- 3 Open the LCD monitor to a 90° angle to the camcorder body (1), and then rotate it 180° vertically (2).



- 4 Set the Media Selection switch to .
- 5 Set the Power switch to .
- 6 Begin recording.

### Notes:

- Do not rotate the monitor section to the self recording position during recording or playback.
- During self recording, the mode or menu screen cannot be displayed.
- All of the manual settings are set to AUTO and some other settings will set to OFF in self recording.
- You may experience image noise when using self recording.
- To operate self recording with reversed grip correctly, make sure to turn the grip and the lens section so that the Record Start/Stop button and the tripod socket face upward, and the lens faces toward you. The  indicator will appear.
- Be sure that the LCD monitor rotation is exactly 180°, otherwise the image recorded will be rotated 180° upside-down.
- In self recording with reversed grip in Card Camera mode, the still images will be recorded rotated 180° upside down. The  indicator will appear in this case.
- The viewfinder does not work in self recording with reversed grip.

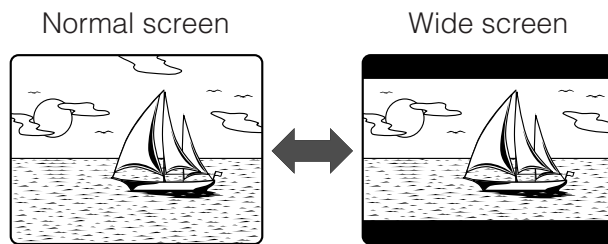
# Useful Features

## Camera Recording

### Wide Screen (16:9)

**Available mode:**  
Tape Camera

The wide screen function lets you record scenes with the wide-screen feel of a movie shown in a theatre. The top and bottom of the picture are masked with black bands to produce an effective screen aspect ratio of 16:9.



**1** In Tape Camera mode, press the DISPLAY button until the mode screen appears.

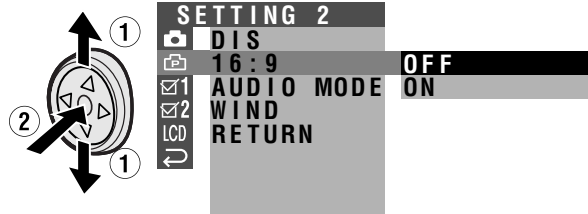


**2** Press  $\nabla$  or  $\triangle$  on the Operation button to select "MENU", then press the centre of the Operation button.

**3** Press  $\nabla$  or  $\triangle$  to select "EXECUTE", then press the centre of the Operation button.

**4** Press  $\nabla$  or  $\triangle$  to select  $\square$ , then press the centre of the Operation button.

**5** Press  $\nabla$  or  $\triangle$  to select "16:9", then press the centre of the Operation button.



**6** Press  $\nabla$  or  $\triangle$  to select "ON", then press the centre of the Operation button.

- The picture is displayed with the top and bottom portions masked.



**7** Press the DISPLAY button to turn off the menu screen.

### To return to normal screen

Select "OFF" in step 6 above.

## Recording in LP (Long Play Recording) Mode


### Available mode:

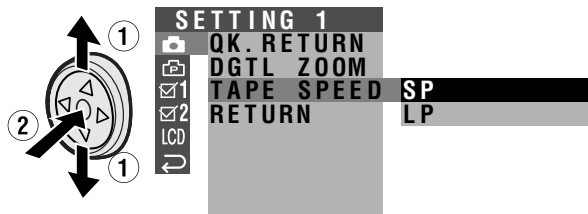
Tape Camera

This camcorder allows you to record in LP (Long Play Recording) mode for approximately 50% more recording time with the same picture quality as that in SP (Standard Play Recording) mode.

- 1 In Tape Camera mode, press the DISPLAY button until the mode screen appears.



- 2 Press  $\nabla$  or  $\Delta$  on the Operation button to select "MENU", then press the centre of the Operation button.
- 3 Press  $\nabla$  or  $\Delta$  to select "EXECUTE", then press the centre of the Operation button.
- 4 Press  $\nabla$  or  $\Delta$  to select , then press the centre of the Operation button.
- 5 Press  $\nabla$  or  $\Delta$  to select "TAPE SPEED", then press the centre of the Operation button.



- 6 Press  $\nabla$  or  $\Delta$  to select "LP", then press the centre of the Operation button.

### TAPE SPEED LP

- 7 Press the DISPLAY button to turn off the menu screen.
  - The long play recording mode indicator only appears when the on-screen indicators are turned on.



Long play recording mode indicator

### To return to SP mode

Select "SP" in step 6 above.

### Notes on the use of LP mode

- To record in LP mode, be sure to use a Mini DV cassette labelled for use with LP mode.
- Frozen images, mosaic-pattern picture noise, audio interruptions or audio loss may occur in the following cases:
  - When using a tape which is not designated for use with LP mode.
  - When a tape recorded in LP mode under high temperature conditions is played back.
  - When a tape recorded in LP mode with the camcorder is played back on a Mini DV player or camcorder from another manufacturer.
  - When a tape recorded in LP mode is played back on a Mini DV player or camcorder without an LP function.
- Audio dubbing is not possible with LP mode recording.

# Useful Features


## Camera Recording

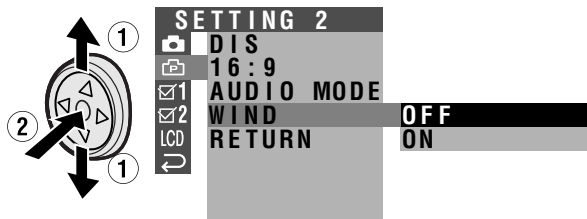
### Windbreak

#### Available mode:

Tape Camera

The windbreak function allows you to reduce annoying noise from strong winds when recording.

- 1 In Tape Camera mode, press the DISPLAY button until the mode screen appears (see page 31).
- 2 Press  $\nabla$  or  $\Delta$  on the Operation button to select "MENU", then press the centre of the Operation button.
- 3 Press  $\nabla$  or  $\Delta$  to select "EXECUTE", then press the centre of the Operation button.
- 4 Press  $\nabla$  or  $\Delta$  to select , then press the centre of the Operation button.
- 5 Press  $\nabla$  or  $\Delta$  to select "WIND", then press the centre of the Operation button.



- 6 Press  $\nabla$  or  $\Delta$  to select "ON", then press the centre of the Operation button.

**WIND ON**

- 7 Press the DISPLAY button to turn off the menu screen.

#### To cancel Windbreak

Select "OFF" in step 6 above.

#### Note:


- Keep the windbreak function off during normal recording. If left on, the recorded audio may sound somewhat muffled when played back.

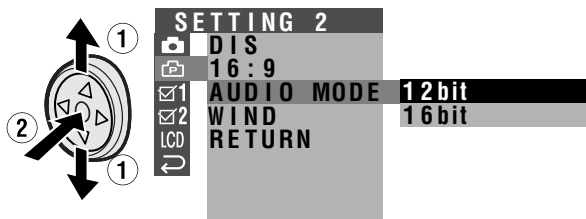
## Selecting the 16-bit Audio Recording Mode

### Available mode:

Tape Camera

The camcorder normally records audio in the 12-bit audio recording mode. For higher-quality audio recording, select the 16-bit audio recording mode.

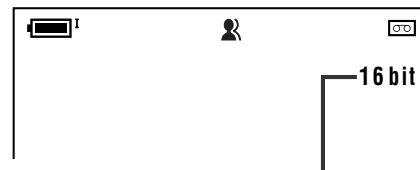
- 1 In Tape Camera mode, press the DISPLAY button until the mode screen appears (see page 31).
- 2 Press  $\nabla$  or  $\triangle$  on the Operation button to select "MENU", then press the centre of the Operation button.
- 3 Press  $\nabla$  or  $\triangle$  to select "EXECUTE", then press the centre of the Operation button.
- 4 Press  $\nabla$  or  $\triangle$  to select , then press the centre of the Operation button.
- 5 Press  $\nabla$  or  $\triangle$  to select "AUDIO MODE", then press the centre of the Operation button.



- 6 Press  $\nabla$  or  $\triangle$  to select "16bit", then press the centre of the Operation button.

### AUDIO MODE 16 bit

- 7 Press the DISPLAY button to turn off the menu screen.
  - The 16-bit audio recording mode indicator only appears when the on-screen indicators are turned on.



16-bit audio recording mode indicator

### To return to 12-bit audio recording mode

Select "12bit" in step 6 above.

### Note:

- When using Audio Dubbing with 16-bit audio recordings, both the dubbed and original sounds will be recorded in mono (see page 60).

# Useful Features

## Playback

### Using the Remote Control (Only supplied with VL-Z501D)

#### Available modes:

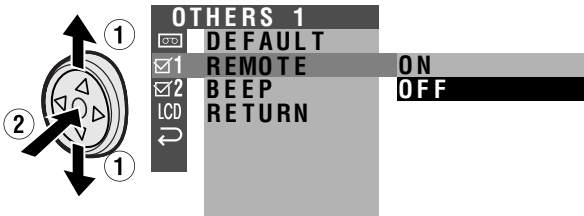
All modes

Use the remote control to operate the camcorder from a distance, such as when you want to record yourself in a scene, or when the camcorder is connected to a TV for use as a VCR.

#### Activating

- The example screens shown are for Tape Playback mode.

- Press the DISPLAY button until the mode screen appears.
- Press  $\nabla$  or  $\Delta$  on the Operation button to select "MENU", then press the centre of the Operation button.
- Press  $\nabla$  or  $\Delta$  to select "EXECUTE", then press the centre of the Operation button.
- Press  $\nabla$  or  $\Delta$  to select  $\checkmark$  1, then press the centre of the Operation button.
- Press  $\nabla$  or  $\Delta$  to select "REMOTE", then press the centre of the Operation button.



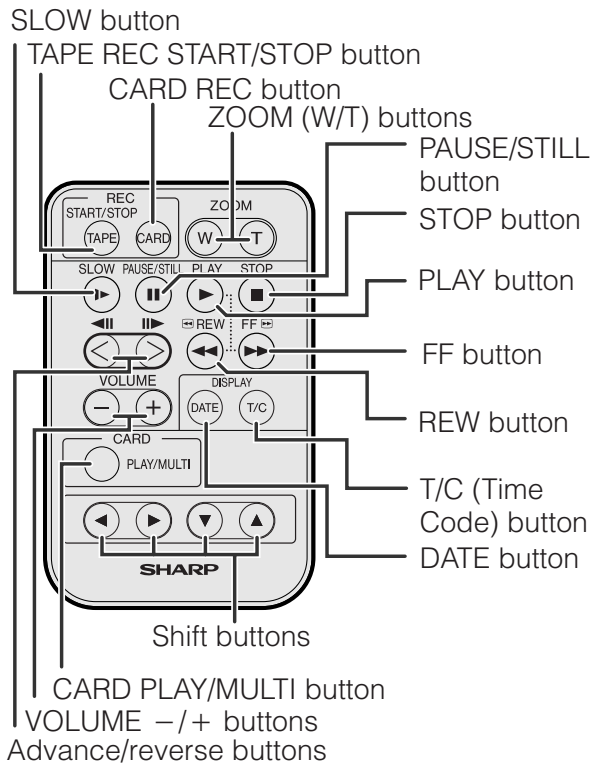
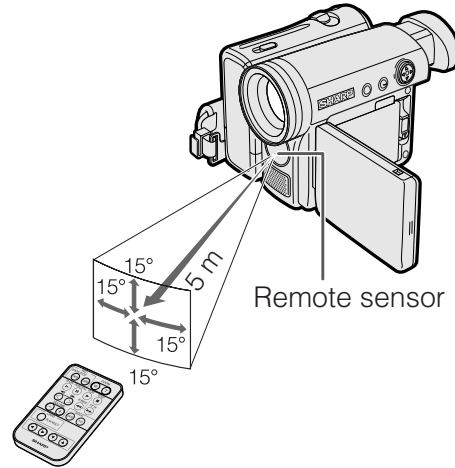
- Press  $\nabla$  or  $\Delta$  to select "ON", then press the centre of the Operation button.

**REMOTE ON**

- Press the DISPLAY button to turn off the menu screen.

### Operating

Aim the remote control at the remote sensor of the camcorder, and press the control buttons to operate.



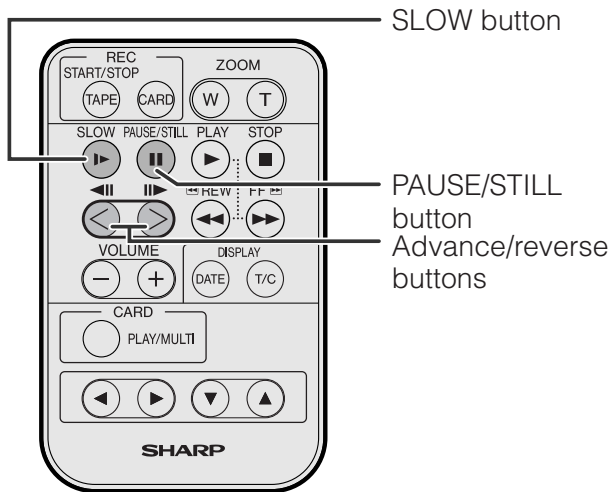
#### Notes:

- Be careful not to expose the remote sensor to direct sunlight or strong interior lighting, as this may prevent the remote control from operating properly.
- Be sure that there are no obstacles between the remote control and the remote sensor.
- The remote control (RRMCGA149WJSA) is not supplied with VL-Z301D. Contact the nearest SHARP service center or your dealer for purchasing as specified part.

## Tape Playback Functions with the Remote Control (Only supplied with VL-Z501D)

**Available mode:**  
Tape Playback

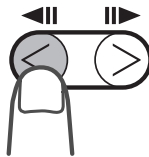
You can use the following playback functions with the remote control (only supplied with VL-Z501D). (See page 46 for use of the remote control.)



### Reverse Playback

The reverse playback function allows you to play back images in reverse.

During Tape Playback, press the ◀| button.



To return to normal playback, press the ▶ button (▶).

**Note:**

- The camcorder automatically returns to normal playback if it is left in reverse playback for more than 30 minutes.

### Slow

The slow function allows you to play back images in slow motion.

During Tape Playback, press the ▶| button. Then, select the tape direction using the advance/reverse buttons (◀| or |▶).



To return to normal playback, press the ▶ button (▶).

**Note:**

- To protect the tape, the camcorder automatically returns to normal playback if it is left in Slow mode for more than 10 minutes.

### Frame Advance

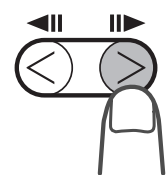
The frame advance function allows you to play back still images frame by frame.

**1** During Tape Playback, press the PAUSE/STILL button (||) to pause playback.



**2** Press the |▶ (or ◀|) button.

- Each time you press the button, the picture advances one frame forward (or backward).



To return to normal playback, press the ▶ button (▶).

**Notes:**

- The sound is off during reverse, slow, and frame advance playback.
- If you use the slow or frame advance function with the tape recorded in LP mode, the picture may advance several frames at a time.
- The reverse frame advance moves about 30 frames.



# Useful Features

## Playback

### Selecting the Date and Time of Recording Display

**Available modes:**

All modes

Follow the procedure below to select the date, or both the date and time, of recording display on the screen. You can display the date and time during both recording and playback.

- The example screens shown are for Tape Playback mode.

- 1 Hold down the Lock button and set the Power switch to or .
- 2 Press the DISPLAY button until the mode screen appears.



- 3 Press  $\nabla$  or  $\Delta$  on the Operation button to select "DATE DISP.", then press the centre of the Operation button.



- 4 Press  $\nabla$  or  $\Delta$  to select the desired setting, then press the centre of the Operation button.

**DATE DISP. ▶ DATE**

- Each time you press  $\nabla$  or  $\Delta$ , the setting changes as shown below.



- 5 Press the DISPLAY button until the date (or date and time) appears.



**Notes:**

- **The date (or date and time) appears when the on-screen indicators are turned on.**
- Before recording, make sure that the date and time have been correctly set. If they have not been set, the display will be left blank when playing back the recording. (The display will also be left blank for unrecorded or damaged portions of the tape.)
- In Tape Playback mode, the current date and time are displayed when the tape is not being played back.
- You can also press the DATE button on the remote control (only supplied with VL-Z501D) to display the date (or date and time).

## Picture Effect Playback

### Available modes:

Tape Playback, Card Playback

These picture effects let you play back images with a more dramatic effect.

### Types

**B/W:** The picture is displayed in black-and-white.

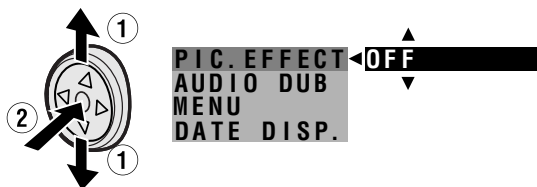
**SEPIA:** The picture is displayed in sepia colour similar to that of an old photograph.

**SOLARI:** The contrast of the subject is enhanced, creating an unique artistic image.

**NEGA:** The blacks and whites of the image are reversed and colours of the image are inverted.

- The example screens shown are for Tape Playback mode.

- 1** During Tape Playback (or Card Playback), press the DISPLAY button until the mode screen appears.
- 2** Press  $\nabla$  or  $\triangle$  on the Operation button to select "PIC. EFFECT", then press the centre of the Operation button.



- 3** Press  $\nabla$  or  $\triangle$  to select the desired picture effect, then press the centre of the Operation button.

**PIC. EFFECT**  $\blacktriangleright$  **B/W**

- 4** Press the DISPLAY button to turn off the mode screen.

### To cancel Picture Effect Playback

Select "OFF" in step 3 above.

### Notes:

- Video images in Picture Effect Playback mode cannot be transferred via DV cable to a personal computer.
- You cannot use Picture Effect Playback with Slide Show Playback.

# Useful Features


## Playback

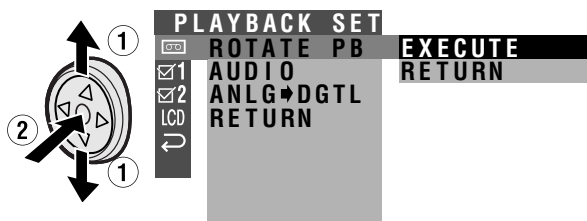
### Rotate Playback

#### Available mode:

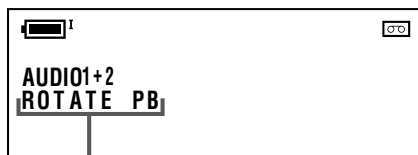
Tape Playback

This function allows you to play back images rotated 180°.

- 1 In Tape Playback mode, press the DISPLAY button until the mode screen appears.
- 2 Press  $\nabla$  or  $\triangle$  on the Operation button to select "MENU", then press the centre of the Operation button.
- 3 Press  $\nabla$  or  $\triangle$  to select "EXECUTE", then press the centre of the Operation button.
- 4 Press  $\nabla$  or  $\triangle$  to select , then press the centre of the Operation button.
- 5 Press  $\nabla$  or  $\triangle$  to select "ROTATE PB", then press the centre of the Operation button.



- 6 Press  $\nabla$  or  $\triangle$  to select "EXECUTE", then press the centre of the Operation button.
  - Rotate Playback indicator appears.



- 7 Press  $\triangle$  to begin Rotate Playback.
  - The image is rotated 180° upside down.

### To cancel Rotate Playback

Press the centre of the Operation button in step 7 above.

#### Notes:

- When executing Rotate Playback during Tape Playback, playback will stop. Press  $\triangle$  to begin Rotate Playback.
- Even if the camcorder is in Rotate Playback mode, the image output via a DV connection will display as normal playback.
- The camcorder will stop and cancel Rotate Playback when the LCD monitor is closed.
- When you want to display the menu screen during Rotate Playback, press the centre of the Operation button.
- In Rotate Playback mode, you cannot perform frame advance, slow, and picture effect playback or copying an image from tape to card.

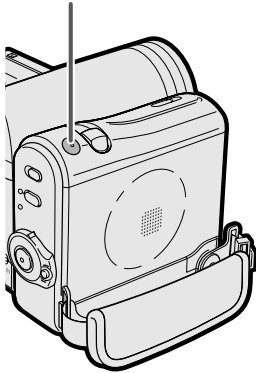
## Copying an Image from Tape to Card

### Available mode:

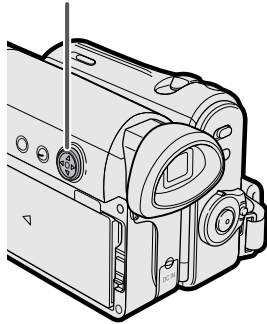
Tape Playback

You can capture your favourite image frame from a video tape recording and save it on card.

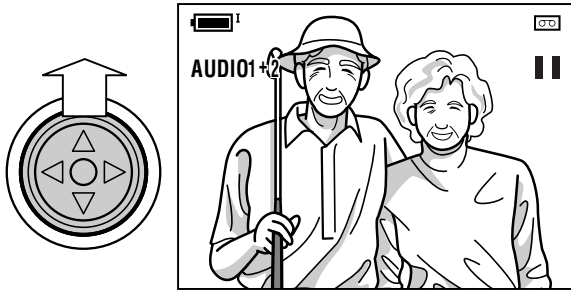
PHOTO button



Operation button



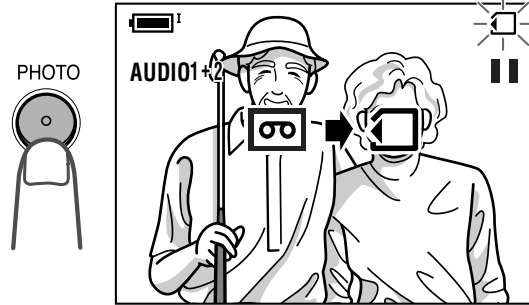
- 1 Insert the recorded Mini DV cassette and a card in the camcorder.
- 2 Set the camcorder to Tape Playback mode, then begin tape playback.
- 3 Press  $\Delta$  on the Operation button at the point where the desired image appears.
  - A still picture of the image appears.



### Note:

- To cancel the still picture, press  $\Delta$  again.

- 4 Press the PHOTO button to copy the image to the card.
  - The  $\square$  indicator flashes red while the image is copied.



# Advanced Features

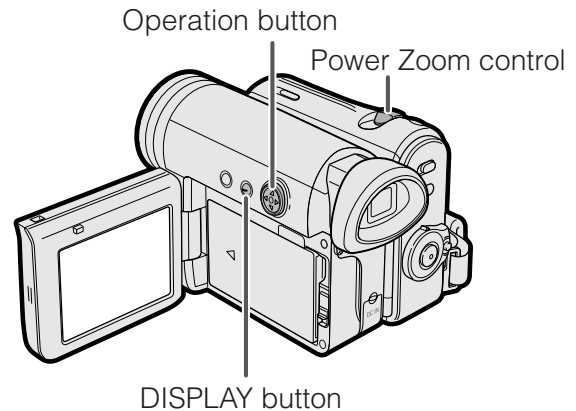
## Camera Recording

### Manual Focus

#### Available modes:

Tape Camera, Card Camera

Auto Focus may not be able to focus on the subject in the situations shown below. In such situations, set the camcorder to Manual Focus mode and focus manually.



 Subject is too dark.	 Lack of contrast, e.g. snow scene.
 Fast-moving subject.	 Background is too bright.
 Subject has horizontal stripes.	 Subject is being shot through a dirty or wet window.
 Light reflects off the subject.	 Two subjects at different distances overlap in the same scene.
 Subject has fine, repeated patterns.	 Subjects at different distances appear in the centre of the scene at the same time.
 Fast-speed shutter being used under fluorescent lighting.	

The example screens shown are for Tape Camera mode.

**1** In Tape Camera or Card Camera mode, press the DISPLAY button until the mode screen appears.

**2** Press  $\nabla$  or  $\Delta$  on the Operation button to select "FOCUS", then press the centre of the Operation button.



**3** Adjust the Power Zoom control to frame the subject as you desire.

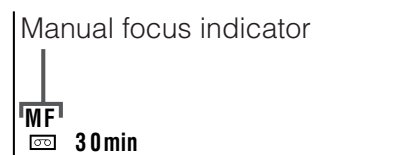
**4** Press  $\nabla$  or  $\Delta$  to focus on the subject.

$\nabla$ : To focus on a closer subject

$\Delta$ : To focus on a more distant subject

**5** Press the DISPLAY button to turn off the mode screen.

• "MF" appears when the on-screen indicators are turned on.



#### Note:

• When "MF" is displayed, you can manually adjust the focus by pressing  $\nabla$  or  $\Delta$ , even if the focus setting screen is not displayed.

## Returning to Auto Focus

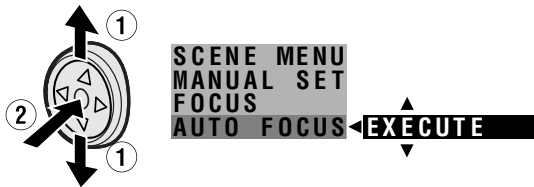
### Available modes:

Tape Camera, Card Camera

You can set Manual Focus mode to Auto Focus mode with the operation below.

- The example screens shown are for Tape Camera mode.

- In Tape Camera or Card Camera mode, press the DISPLAY button until the mode screen appears.
- Press  $\nabla$  or  $\Delta$  on the Operation button to select "AUTO FOCUS", then press the centre of the Operation button.



- Press  $\nabla$  or  $\Delta$  to select "EXECUTE", then press the centre of the Operation button.
  - The FOCUS setting returns to Auto Focus mode.
- Press the DISPLAY button to turn off the mode screen.

## Displaying the Manual Setting Screen

### Available modes:

Tape Camera, Card Camera

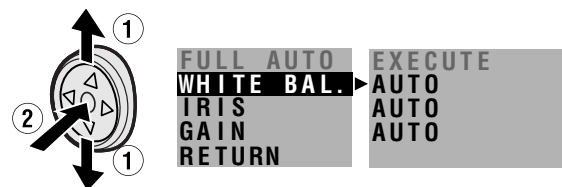
You can manually adjust these settings as shown below in the manual setting screen.

- White Balance (see page 54)
  - Manual Iris (see page 55)
  - Manual Gain (see page 56)
- The example screens shown are for Tape Camera mode.

- In Tape Camera or Card Camera mode, press the DISPLAY button until the mode screen appears.
- Press  $\nabla$  or  $\Delta$  on the Operation button to select "MANUAL SET", then press the centre of the Operation button.



- Press  $\nabla$  or  $\Delta$  to select "EXECUTE", then press the centre of the Operation button.



### Notes:

- Tape Camera and Card Camera mode do not share manual settings.
- Items that are not selectable are greyed out.

# Advanced Features

## Camera Recording

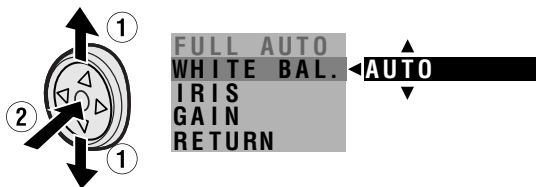
### White Balance Lock

#### Available modes:

Tape Camera, Card Camera

The colour of the subject on the screen looks different depending on lighting conditions. Lock the White Balance if the Auto White Balance does not work properly.

- 1 In Tape Camera or Card Camera mode, press the DISPLAY button until the mode screen appears.
- 2 Press  $\nabla$  or  $\Delta$  on the Operation button to select "MANUAL SET", then press the centre of the Operation button (see page 53).
- 3 Press  $\nabla$  or  $\Delta$  to select "EXECUTE", then press the centre of the Operation button.
- 4 Press  $\nabla$  or  $\Delta$  to select "WHITE BAL.", then press the centre of the Operation button.

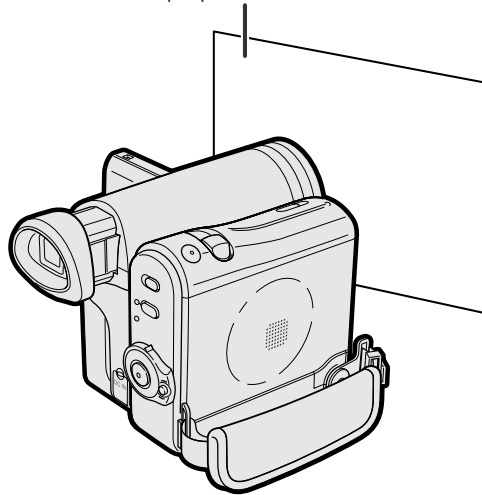


- 5 Press  $\nabla$  or  $\Delta$  to select "LOCK MODE".



- 6 Aim the lens at a white object.

White paper or white cloth



- Adjust the distance of the object so that the entire screen is white.
- 7 Press the centre of the Operation button to set the white balance lock.
    - "LOCK MODE" will change to "LOCK" after pressing the centre of the Operation button.
    - "LOCK" flashes during the locking procedure, and stops flashing after locking the white balance.

#### Note:

- If you move the camcorder while "LOCK" is flashing, "LOCK" may not stop flashing. If this occurs, repeat step 7.

- 8 Press the DISPLAY button to turn off the MANUAL SET screen.

#### To return to Auto White Balance mode

Press  $\triangleright$  in step 5 above, then press the centre of the Operation button.

#### To return to Full Auto mode

Set the camcorder to Full Auto mode (see page 57).

#### Note:

- White Balance setting cannot be used when a scene setting is selected.

## Manual Iris

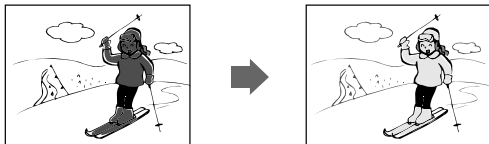
### Available modes:

Tape Camera, Card Camera

The camcorder is preset to Auto Iris mode, which automatically selects the optimal aperture. However, when there is too much contrast in brightness between the subject and background, you may not be able to record a clear image. In this case, use the manual iris function to correct the iris value.

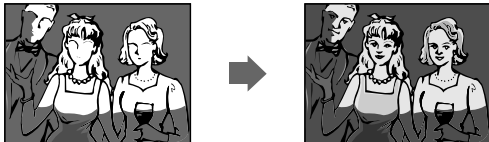
### **Background is too bright and subject too dark (backlit subject).**

- Decrease the iris value to allow more light through the lens.



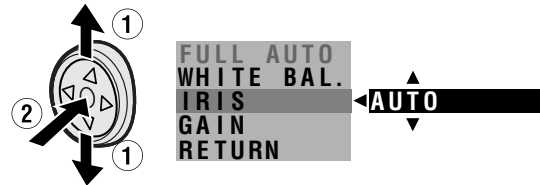
### **Subject is too bright against background.**

- Increase the iris value to allow less light through the lens.

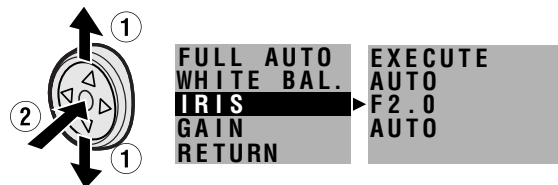


- 1** In Tape Camera or Card Camera mode, press the DISPLAY button until the mode screen appears.
- 2** Press  $\nabla$  or  $\triangle$  on the Operation button to select "MANUAL SET", then press the centre of the Operation button (see page 53).
- 3** Press  $\nabla$  or  $\triangle$  to select "EXECUTE", then press the centre of the Operation button.

- 4** Press  $\nabla$  or  $\triangle$  to select "IRIS", then press the centre of the Operation button.



- 5** Press  $\nabla$  or  $\triangle$  to select the desired iris value, then press the centre of the Operation button.



- The number shown is the selected iris value. The adjustment range is 15 steps from F1.8 (most light) to F19 (least light).

- 6** Press the DISPLAY button to turn off the MANUAL SET screen.

### To return to Auto Iris mode

Press  $\triangleright$  in step 5 above, then press the centre of the Operation button.

### To return to Full Auto mode

Set the camcorder to Full Auto mode (see page 57).

### Note:

- Manual Iris mode cannot be used when a scene setting is selected.



# Advanced Features

## Camera Recording

### Manual Gain

#### Available modes:

Tape Camera, Card Camera

When recording in a dark or poorly illuminated location with Auto Gain mode, the light sensitivity of the camcorder (gain) will be automatically adjusted and the recorded image may be brighter than the subject actually is. If you want to faithfully record a dark scene in this case, use the manual gain function. You can also adjust the gain to record a backlit subject brighter.

#### Example of use

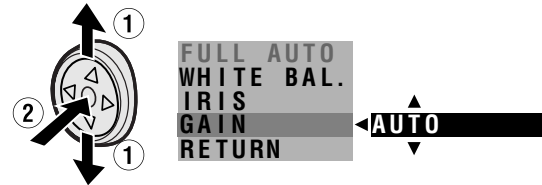
##### *Faithfully recording a dark scene*

- Select a smaller gain value (to decrease the light sensitivity).

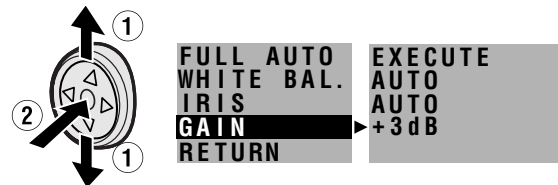
##### *Background is too bright and subject is too dark (backlit subject)*

- Select a larger gain value (to increase the light sensitivity).

- 4 Press  $\nabla$  or  $\Delta$  to select "GAIN", then press the centre of the Operation button.



- 5 Press  $\nabla$  or  $\Delta$  to select the desired gain value, then press the centre of the Operation button.



- The number shown is the selected gain value. The adjustment range is 7 steps from 0dB (lowest sensitivity) to +18dB (highest sensitivity).

**Note:** If you select a large gain value, the image may appear grainy.

- 6 Press the DISPLAY button to turn off the MANUAL SET screen.

#### To return to Auto Gain mode

Press  $\triangleright$  in step 5 above, then press the centre of the Operation button.

#### To return to Full Auto mode

Set the camcorder to Full Auto mode (see page 57).

#### Note:

- Manual Gain mode cannot be used when a scene setting is selected.

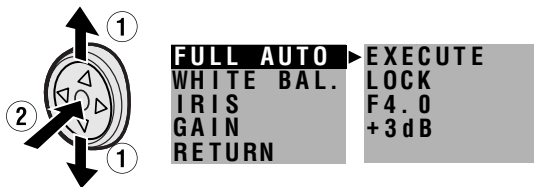
## Setting the Camcorder to Full Auto Mode

### Available modes:

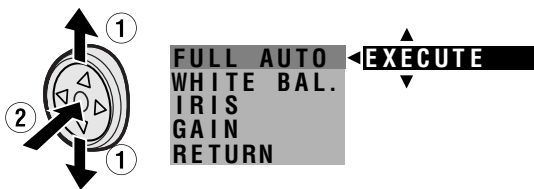
Tape Camera, Card Camera

You can set all manual settings, including white balance, iris, gain, but not focus, to Full Auto mode in one operation.

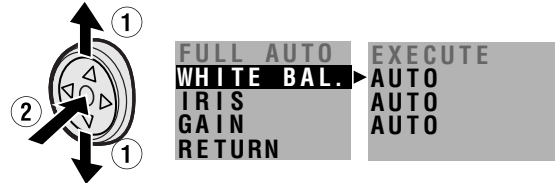
- 1 In Tape Camera or Card Camera mode, press the DISPLAY button until the mode screen appears.
- 2 Press  $\nabla$  or  $\Delta$  on the Operation button to select "MANUAL SET", then press the centre of the Operation button (see page 53).
- 3 Press  $\nabla$  or  $\Delta$  to select "EXECUTE", then press the centre of the Operation button.



- 4 Press  $\nabla$  or  $\Delta$  to select "FULL AUTO", then press the centre of the Operation button.



- 5 Press  $\nabla$  or  $\Delta$  to select "EXECUTE", then press the centre of the Operation button.



- 6 Press the DISPLAY button to turn off the MANUAL SET screen.

### Note:

- You cannot select "FULL AUTO" when no manual settings are currently in use.

# Advanced Features

## Camera Recording

### Scene Menu (Program AE)

#### Available modes:

Tape Camera, Card Camera

You can set the camcorder to a shooting mode that will create the best results for a specific situation. Just select one of the six scene settings shown below. The camcorder will automatically set the exposure, white balance, and shutter speed to produce the optimum picture quality for the selected situation.

#### Types

**SPORT (🏃):** When you want to record a fast-moving subject.

**DUSK (🌇):** When you want to faithfully record the red of the setting sun, and the surrounding twilight.

**SUNLIGHT (☀️):** When background is very bright.

**PARTY (🕺):** When the illumination is from a spotlight or candle.

**NIGHT LUMI (🌃):** When you want to record fireworks or an illuminated object in the dark.

**SLOW SHUT. (📷):** When you want to record an object in a dim place and make it emerge brightly.

- The example screens shown are for Tape Camera mode.

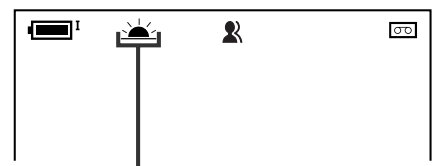
- 1 In Tape Camera or Card Camera mode, press the DISPLAY button until the mode screen appears.
- 2 Press ▾ or ▲ on the Operation button to select “SCENE MENU”, then press the centre of the Operation button.



- 3 Press ▾ or ▲ to select the scene setting that best fits the recording situation, then press the centre of the Operation button.
  - The selected scene setting displays on the mode screen.

**SCENE MENU ▶ DUSK**

- 4 Press the DISPLAY button to turn off the mode screen.
  - The selected scene setting indicator displays when the on-screen indicators are turned on.



Scene setting indicator

#### To cancel the scene setting

Select “OFF” in step 3 above.

#### Note:

- Scene settings cannot be used when using any manual setting except focus. Also not selectable when 📷 displays.

# Advanced Features

## Playback

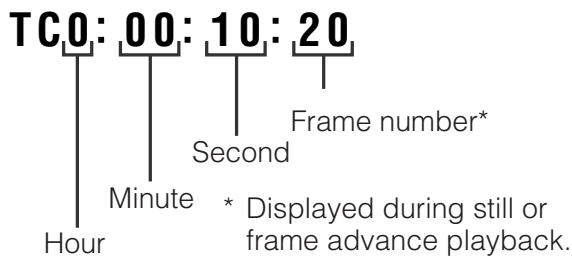
### Using the Time Code

#### Available modes:

Tape Camera, Tape Playback

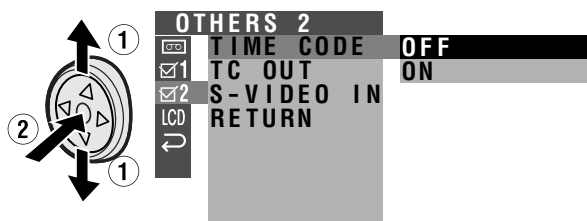
The time code shows the hour, minute and second of recording, and the frame number (1 frame = approx. 1/25 sec.). This is automatically recorded along with the subject when you are recording on the tape. You can display the time code on the screen as an accurate counter in both Tape Playback and Tape Camera modes.

#### Display format



- The example screens shown are for Tape Playback mode.

- During playback or camera recording in Tape mode, press the DISPLAY button until the mode screen appears.
- Select "MENU", then "EXECUTE" by using the Operation button (see page 32).
- Press  $\nabla$  or  $\Delta$  to select  2, then press the centre of the Operation button.
- Press  $\nabla$  or  $\Delta$  to select "TIME CODE", then press the centre of the Operation button.

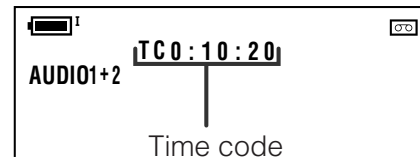


- Press  $\nabla$  or  $\Delta$  to select "ON", then press the centre of the Operation button.

**TIME CODE ON**

- Press the DISPLAY button to turn off the menu screen.

- The time code appears when the on-screen indicators are turned on.



#### To turn off the time code

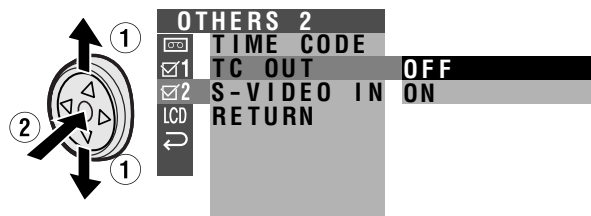
Select "OFF" in step 5 above.

#### Notes:

- When the tape reaches an unrecorded section, the time code returns to zero (TC0:00:00). Once recorded, the time code cannot be changed.
- You can also press the T/C button on the remote control (only supplied with VL-Z501D) to display the time code.

#### Displaying the time code on a TV during playback

- In Tape Playback mode, press the DISPLAY button until the mode screen appears.
- Select "MENU", then "EXECUTE" by using the Operation button (see page 32).
- Press  $\nabla$  or  $\Delta$  to select  2, then press the centre of the Operation button.
- Press  $\nabla$  or  $\Delta$  to select "TC OUT", then press the centre of the Operation button.



- Press  $\nabla$  or  $\Delta$  to select "ON", then press the centre of the Operation button.

**TC OUT ON**

- Press the DISPLAY button to turn off the menu screen.

# Advanced Features Playback

## Audio Dubbing Feature

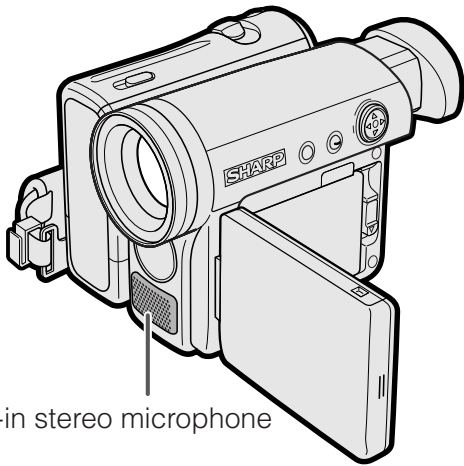
### Available mode:

Tape Playback

You can add narration to recordings made with this camcorder, while preserving the original audio and video recordings.

### Microphone for Audio Dubbing

You can use the built-in stereo microphone to record narration.



Built-in stereo microphone

### Notes:

- Audio dubbing does not function through the DV terminal.
- You cannot use audio dubbing with recordings made in LP mode.
- You cannot use the built-in stereo microphone for audio dubbing when the audio/video/S-video cable is connected.

## Audio Recording

### In normal recording mode

#### **12-bit audio recording**

The audio is recorded in stereo on Audio 1.

**Audio 1:** Stereo (left and right) sound

**Audio 2:** No audio

#### **16-bit audio recording**

The audio is recorded in stereo with the left and right sound on two separate channels.

**Audio 1:** Left sound

**Audio 2:** Right sound

### In Audio Dubbing mode

#### **12-bit audio recording**

The dubbed audio is recorded on Audio 2.

**Audio 1:** Original stereo (left and right) sound

**Audio 2:** Dubbed stereo (left and right) sound

#### **16-bit audio recording**

The dubbed audio is recorded on Audio 2 over the original right sound. Both dubbed and original sounds are mono.

**Audio 1:** Original left sound

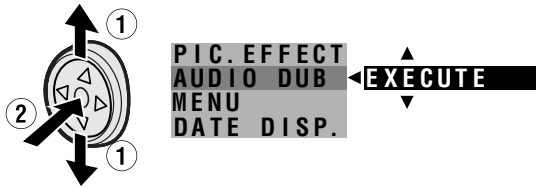
**Audio 2:** Dubbed sound

### Note:

- You can select the 12-bit or 16-bit audio recording mode by performing the procedure on page 45.

## Audio Dubbing

- 1 Play back the Mini DV cassette recorded in SP mode and locate the tape position where you wish to start audio dubbing.
- 2 Press  $\Delta$  on the Operation button to pause playback.
- 3 Press the DISPLAY button until the mode screen appears.
- 4 Press  $\nabla$  or  $\Delta$  to select "AUDIO DUB", then press the centre of the Operation button.



- 5 Press  $\nabla$  or  $\Delta$  to select "EXECUTE", then press the centre of the Operation button.
  - The audio dubbing screen appears.



- 6 Press  $\Delta$  to begin audio dubbing. Record your narration.

### To pause audio dubbing

Press  $\nabla$ . To resume audio dubbing, press  $\Delta$  again.

### To cancel audio dubbing

Press the centre of the Operation button in step 5. The audio dubbing screen disappears.

## If you wish to change the dubbed audio or dub additional scenes

- 1 Press the DISPLAY button to turn off the audio dubbing screen.
- 2 Repeat steps 1 to 6 above.

### Notes:

- It is recommended that you use Audio Dubbing only with recordings made with this camcorder. Use of recordings made with other digital video equipment may result in poor audio quality.
- Audio dubbing will automatically pause if the original audio changes from 12-bit mode to 16-bit mode or vice versa. Press  $\Delta$  to resume operation.
- Audio dubbing will automatically stop if a portion recorded in LP mode or an unrecorded portion of the tape is encountered.
- You can play back the dubbed audio and the original audio together or separately (see page 62).
- **"AUDIO DUB" cannot be selected when the Mini DV cassette is recorded in LP mode.**

# Advanced Features Playback

## Selecting the Audio Playback Mode

**Available mode:**  
Tape Playback

You can select any of the following audio playback modes.

### Audio 1 + 2

- 12-bit recording in stereo (Audio 1 and Audio 2 channels)
- 16-bit recording in stereo (left and right channels)


### Audio 1

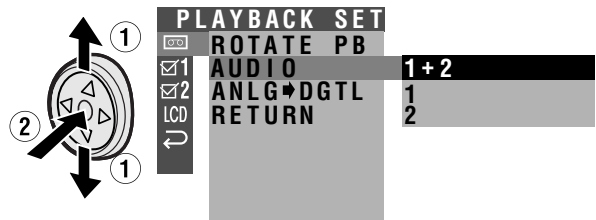
- 12-bit recording in stereo (Audio 1 channel only)
- 16-bit recording in mono (left channel only)

### Audio 2

- 12-bit recording in stereo (Audio 2 channel only)
- 16-bit recording in mono (right channel only)

- 1 Playback a Mini DV cassette with dubbed audio.
- 2 Press the DISPLAY button until the mode screen appears.
- 3 Select "MENU", then "EXECUTE" by using the Operation button (see page 32).

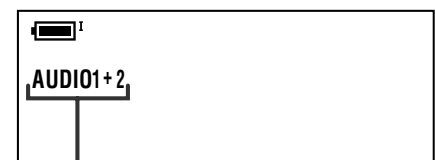
- 4 Press  $\nabla$  or  $\Delta$  to select , then press the centre of the Operation button.
- 5 Press  $\nabla$  or  $\Delta$  to select "AUDIO", then press the centre of the Operation button.



- 6 Press  $\nabla$  or  $\Delta$  to select the desired audio playback mode, then press the centre of the Operation button.

**AUDIO** 1+2

- 7 Press the DISPLAY button to turn off the menu screen.
  - The selected audio playback mode indicator only appears when the on-screen indicators are turned on.



Audio playback mode indicator

**Note:**

- The audio playback mode indicator, "AUDIO", displays in different colours depending on the recording mode (12- or 16-bit) used for the recording being played back. A white display indicates 12-bit recording mode, while a green indicates 16-bit.

## Editing

### Available mode:

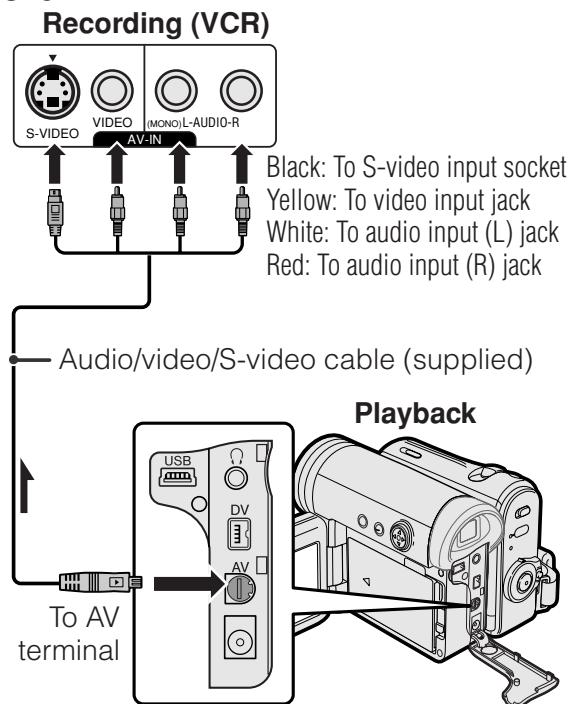
Tape Playback

Video editing lets you refine your videos by removing unwanted sequences from your tape, or transposing one sequence with another.

This camcorder lets you monitor the source program on the built-in LCD monitor without having to connect it to an external TV or video monitor.

### Preparation

Connect the camcorder to a VCR with the supplied audio/video/S-video cable, as shown.



### Notes:

- See page 2 for how to open the terminal cover.
- If your VCR has only one audio input jack, use the white plug for the audio connection on the VCR.
- If your VCR has an S-video input socket, you do not need to connect the yellow video plug.

## Cutting Unwanted Sequences

- 1 Play back the tape to be edited on the camcorder, and locate the beginning and end of the sequence you wish to cut. Write down the time code reading at the beginning and end of that sequence (see page 59). Then, rewind the tape to before the beginning of the portion that you wish to keep.
- 2 Load a video cassette into the recording VCR.
- 3 Press  $\Delta$  on the camcorder to begin playback, then press the Record button on the VCR to begin recording.
- 4 Press the Pause/Still button on the VCR to pause recording when the source tape reaches the beginning of the sequence to be cut.
- 5 Press the Pause/Still (or Record) button on the VCR to resume recording when the source tape reaches the end of the sequence to be cut.

### To stop editing

Press  $\nabla$  on the camcorder and press the Stop button on the VCR.

### Notes:

- Some of the transitions between edited sequences may be slightly off.
- There may be picture noise during video search or still playback. This does not imply a defect in the camcorder.
- The time code display will be recorded along with the edited sequences if the TC OUT menu item is set to "ON". Set to "OFF" before editing (see page 59).



# Advanced Features

## Playback

### Recording from an External Source

#### Available mode:

Tape Playback

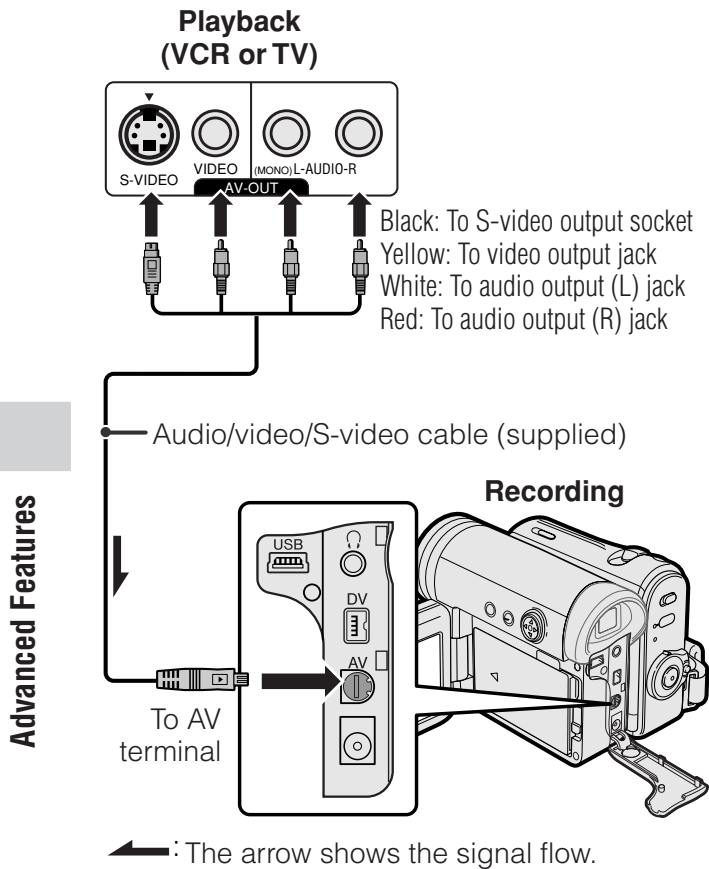
You can use this camcorder to record or edit videos from another source, such as a VCR or TV.

### Preparation

Connect the camcorder to the source equipment with the supplied audio/video/S-video cable, as shown.

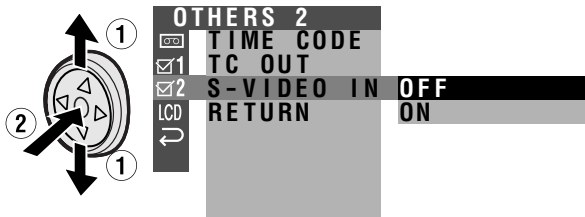
#### Notes:

- See page 2 for how to open the terminal cover.
- If the source equipment has only one audio output jack, use the white plug for the audio connection on the source equipment. (The input audio will only be recorded on the left channel of the tape.)
- Even if the source equipment has an S-video output socket, connect both the yellow video plug and S-video plug.



## To Record from an External Source

- 1 In Tape Playback mode, press the DISPLAY button until the mode screen appears.
- 2 Select "MENU", then "EXECUTE" by using the Operation button (see page 32).
- 3 Press  $\nabla$  or  $\triangle$  to select  2, then press the centre of the Operation button.
- 4 Press  $\nabla$  or  $\triangle$  to select "S-VIDEO IN", then press the centre of the Operation button.



- 5 Press  $\nabla$  or  $\triangle$  to select "ON" (for S-video connection) or "OFF" (for video connection), then press the centre of the Operation button.
- 6 Press the DISPLAY button to turn off the menu screen.
  - "S-VIDEO" appears on the screen during a pause or Recording Standby mode when you set the S-VIDEO IN menu item to "ON" in step 5 above.
- 7 Begin playback on the source equipment connected to the camcorder.
  - Check the camcorder screen to see if the picture is properly received.
- 8 Press the Record Start/Stop button on the camcorder, then press  $\triangle$  to begin recording.

### Notes:

- To pause recording, press  $\triangle$ . Press  $\triangle$  again to resume recording.
- To operate by remote control, perform steps 1 to 7 above, and press the TAPE REC START/STOP button, then press the PAUSE/STILL button (||).
- If "NO SIGNAL" is displayed on the camcorder screen, check that the audio/video/S-video cable is properly connected.
- If a digital video recording with a copyright protection signal is used as the playback source, "COPYRIGHT PROTECTED." appears on the camcorder monitor and the recording function is disabled.

# Advanced Features

## Playback

### Editing with the DV Terminal (IEEE1394)

**Available mode:**

Tape Playback

This camcorder can be used as a digital video editor. A DV cable transfers all dubbing signals including video and audio directly to the camcorder.

### Preparation

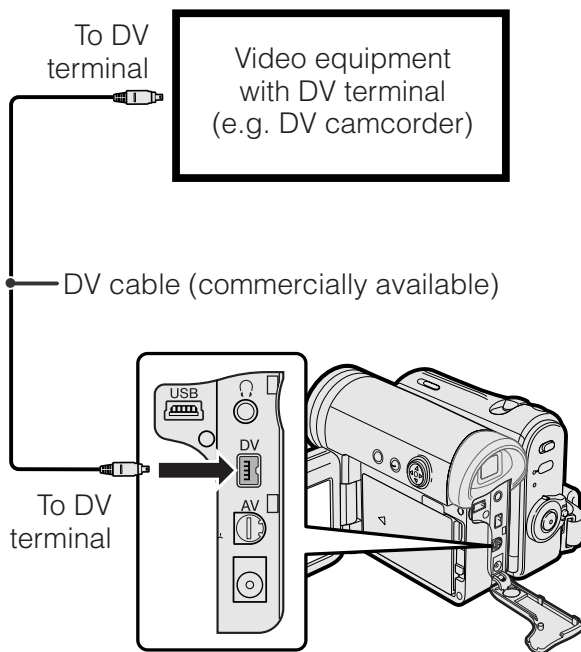
Connect the camcorder to video equipment with a DV terminal using a commercially available DV cable.

### To Record to Video Equipment

See “Cutting Unwanted Sequences” on page 63, using the video equipment as the recording source.

**Note:**

- Make sure that the video equipment to which you are recording can input dubbing signals via the DV terminal.



---

## To Record from Video Equipment

- 1 Set the camcorder to Tape Playback mode, and insert a Mini DV cassette.
- 2 Begin playback on the video equipment connected to the camcorder.
  - Check the camcorder screen to see if the picture is properly received.
- 3 Press the Record Start/Stop button on the camcorder.
  - The camcorder enters Recording Standby mode.
- 4 Press  $\Delta$  on the Operation button to begin recording.

### To stop recording

Press  $\nabla$  on the Operation button.

### Cutting Unwanted Sequences

- 1 Press  $\Delta$  to pause recording when the source tape reaches the beginning of the sequence to be cut.
- 2 Press  $\Delta$  to resume recording when the source tape reaches the end of the sequence to be cut.

### Notes:

- Make sure that the video equipment from which you are recording can output dubbing signals via the DV terminal.
- If the video equipment is not set to playback mode or the DV cable is not properly connected, "NO SIGNAL" is displayed on the camcorder screen.
- If no picture or sound is input to the camcorder even if the DV cable is properly connected and you are playing back the source media from the video equipment, set the Power switch on the camcorder to OFF and then back to  $\blacktriangleright$ , or disconnect the DV cable and connect it again.
- If a digital video recording with a copyright protection signal is used as the playback source, "COPYRIGHT PROTECTED." appears on the camcorder monitor and the recording function is disabled (see page 92).
- When displaying the playback picture on the PC, you may find black bands around the image. This is caused by the differences of the image display sizes.
- "i.Link" refers to the IEEE1394-1995 industry specification and extensions thereof. The **i** logo is used for products compliant with the i.Link standard.

# Advanced Features Playback

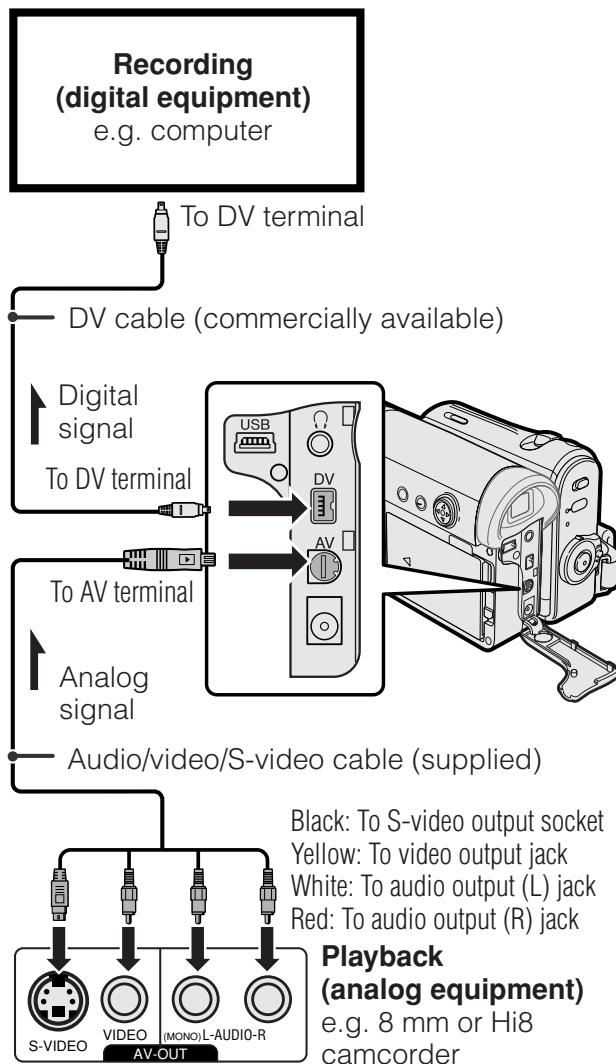
## Using the Camcorder as a Converter

**Available mode:**  
Tape Playback

You can use this camcorder to convert from analog signal (e.g. video recorded on 8 mm or Hi8 tapes) to digital signal.

### Preparation

Connect the audio/video/S-video cable and DV cable as shown below.

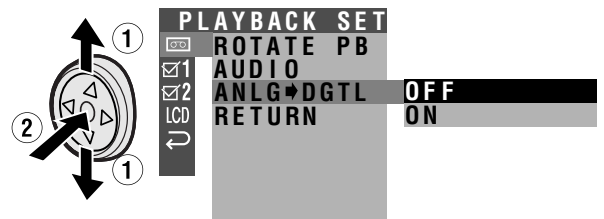


← : The arrow shows the signal flow.

#### Note:

- See page 2 for how to open the terminal cover.

- 1 Set the camcorder to Tape Playback mode, and make sure that playback is stopped.
- 2 Press the DISPLAY button until the mode screen appears.
- 3 Select "MENU", then "EXECUTE" by using the Operation button (see page 32).
- 4 Press  $\nabla$  or  $\Delta$  to select  $\square$ , then press the centre of the Operation button.
- 5 Press  $\nabla$  or  $\Delta$  to select "ANLG  $\rightarrow$  DGTL", then press the centre of the Operation button.



- 6 Press  $\nabla$  or  $\Delta$  to select "ON", then press the centre of the Operation button.

**ANLG  $\rightarrow$  DGTL ON**

- 
- 7** Press the DISPLAY button to turn off the menu screen.
  - 8** Press the Play button on the analog equipment
    - Check the monitor on the digital equipment to see if the picture is being properly received.
  - 9** Press the Record button on the digital equipment.

**Notes:**

- The camcorder is not guaranteed to work with all digital/analog equipment. Contact the manufacturer of your equipment for advice.
- If the camcorder outputs a video recording with a copyright signal, the digital equipment cannot record or save it.
- The camcorder may not convert some input video recordings properly (e.g. discolouration, picture noise, muted sound), depending on the input condition.

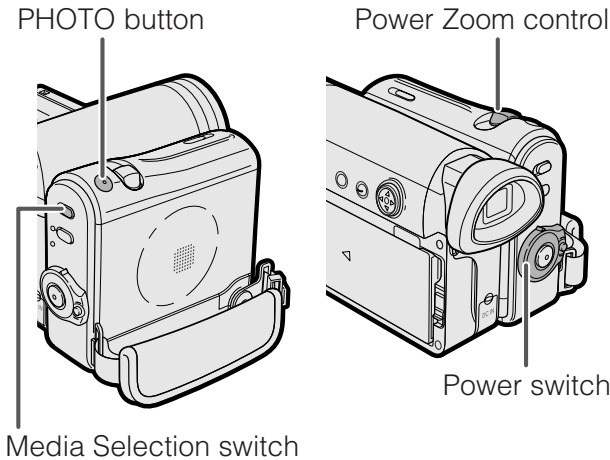
# Digital Still Camera Features



## Camera Recording

### Card Recording

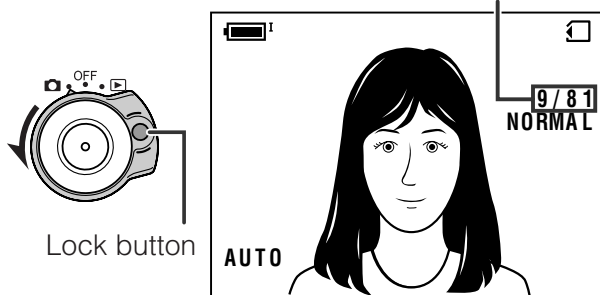
**Available mode:**  
Card Camera


You can take a still picture in the same way as you do with a standard camera and record that image on the card.

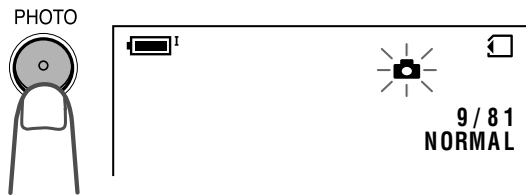


- 1 Insert a card into the camcorder (see page 11).
- 2 Remove the lens cap.
- 3 Set the Media Selection switch to .
- 4 Hold down the Lock button and set the Power switch to .
  - The picture from the lens now displays.

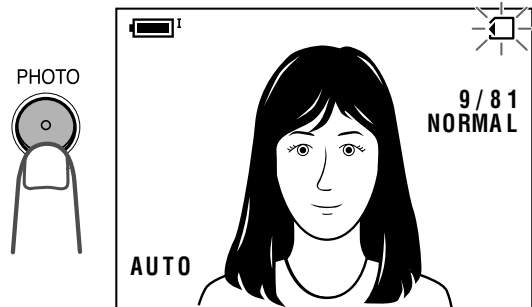
Number of shots taken/remaining




- 5 Adjust the Power Zoom control to frame the subject as you desire.
- 6 Press the PHOTO button half-way down to focus on the subject.
  - The camcorder automatically focuses on the subject. When it is set, you will hear a sound and see  mark, then the camcorder locks the focus.




- 7 Press the PHOTO button fully to begin recording.



- The  indicator flashes red while data is being recorded on the card, and returns to white when recording completes.
- To record another image, release the PHOTO button and make sure the picture is not frozen in the monitor, then perform steps 6 and 7.

#### Notes:

- Recording under insufficient lighting may result in blurred images. It is recommended that you use a tripod to record insufficiently illuminated subjects.
- Recording under the light of a fluorescent, mercury, or sodium lamp may cause flickering in the image and, depending on the timing of the shot, may result in changes to colour hue in the image.
- Set the BEEP menu item to "OFF" to turn off the focus locking sound.
- **Do not turn the power off or remove the card while the  indicator is flashing in step 7.**

## Selecting the Picture Quality

**Available mode:**  
Card Camera

The picture quality of still images recorded on the card depends on the picture quality setting. Select the appropriate setting to match your recording objectives.

### Types

**NORMAL:** Records images with standard picture quality.

**ECONOMY:** Allows you to take more shots than in NORMAL mode but with lower quality.

**FINE:** Records images with higher quality than in NORMAL mode but with lower number of recordable images.

### Approximate number of recordable images with 8 MB SD memory card

Picture quality setting	Approx. number of images
NORMAL	90
ECONOMY	160
FINE	50

**Note:**

- The number of recordable images differs depending on the combination of picture quality settings used and the images shot.

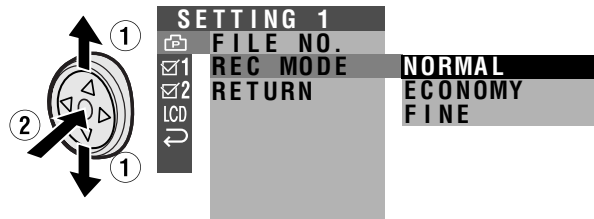
- In Card Camera mode, press the DISPLAY button until the mode screen appears.



- Select "MENU", then "EXECUTE" by using the Operation button (see page 32).

- Press  $\nabla$  or  $\triangle$  to select  $\square$ , then press the centre of the Operation button.

- Press  $\nabla$  or  $\triangle$  to select "REC MODE", then press the centre of the Operation button.



- Press  $\nabla$  or  $\triangle$  to select the desired setting, then press the centre of the Operation button.

**REC MODE ECONOMY**

- Press the DISPLAY button to turn off the menu screen.
  - The selected picture quality indicator only appears when the on-screen indicators are turned on.



Picture quality indicator

**Note:**

- The picture quality indicator is also displayed in Card Camera mode. The picture quality indicator displayed during playback is based on the amount of data for that recorded image. Since the amount of data differs depending on factors such as image detail, sometimes the picture quality indicator displayed during playback may not match the picture quality setting used during recording.



# Digital Still Camera Features

## Camera Recording

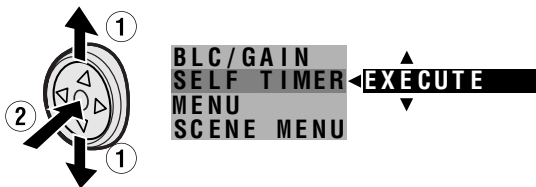
### Recording with the Self-timer

#### Available mode:

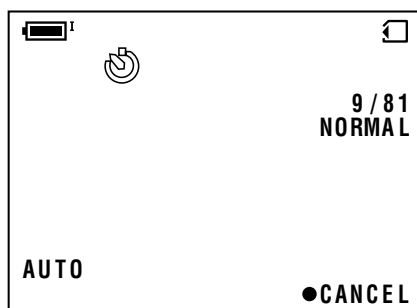
Card Camera

The self-timer function allows you to record images after a time-lag of 10 seconds. This is convenient when you want to record an image of you and your friends together.

- 1 In Card Camera mode, press the DISPLAY button until the mode screen appears.
- 2 Press  $\nabla$  or  $\Delta$  on the Operation button to select "SELF TIMER", then press the centre of the Operation button.



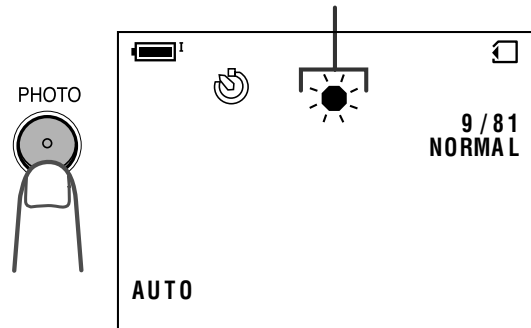
- 3 Press  $\nabla$  or  $\Delta$  to select "EXECUTE", then press the centre of the Operation button.



- 4 Press the PHOTO button to start the self-timer.

- The self-timer operating indicator flashes while the timer counts down.

Self-timer operating indicator



- The shutter automatically releases after 10 seconds, and a still image of the subject is recorded.

#### To cancel the countdown

Press the PHOTO button in step 4.

#### To cancel the self-timer

Press the centre of the Operation button again in step 3.

#### Notes:

- When recording with the self-timer, stabilize the camcorder in the horizontal plane by attaching it to a tripod, etc.
- Self-timer mode cancels after recording one image. Repeat steps 1 to 4 to record another image with the self-timer.
- Do not turn the power off or remove the card once the self-timer operating indicator begins flashing.

## Formatting a Card

### Available mode:

Card Camera

Before using a commercially available card with this camcorder, you must first have it formatted. Also, if any of the following warning indicators displays, you will need to format your card.

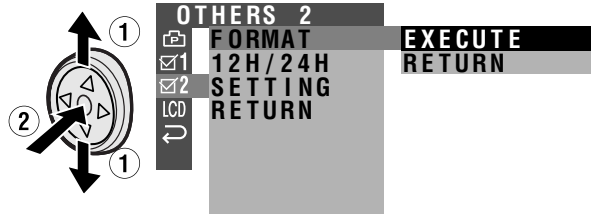
- “FORMAT MEMORY CARD”
- “MEMORY CARD ERROR”
- “MEMORY CARD READ ERROR”
- “CANNOT STORE DATA”

### Notes:

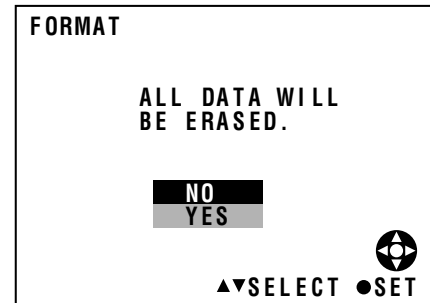
- Formatting a card erases all stored images, including delete-protected images. Be sure to backup important data on your computer or other media before formatting the card (see pages 82–84).
- Do not remove the power source during formatting, as this may cause damage to the camcorder or card. It is recommended that you use the AC outlet for the power supply.

- 1** In Card Camera mode, press the DISPLAY button until the mode screen appears.
- 2** Select “MENU”, then “EXECUTE” by using the Operation button (see page 32).
- 3** Press  $\nabla$  or  $\triangle$  to select  2, then press the centre of the Operation button.

- 4** Press  $\nabla$  or  $\triangle$  to select “FORMAT”, then press the centre of the Operation button.



- 5** Press  $\nabla$  or  $\triangle$  to select “EXECUTE”, then press the centre of the Operation button.
  - To cancel formatting, press  $\nabla$  or  $\triangle$  to select “RETURN”, then press the centre of the Operation button.



- 6** Press  $\nabla$  or  $\triangle$  to select “YES”, then press the centre of the Operation button to begin formatting.
  - The menu screen displays when formatting finishes.
- 7** Press the DISPLAY button to turn off the menu screen.

### Notes:

- The card supplied with VL-Z501D is preformatted for immediate use.
- **Use this camcorder to format a card. The camcorder may not recognize the images on a card formatted by a computer or other equipment.**

# Digital Still Camera Features

## Camera Recording

### Setting the File Numbering Method


**Available mode:**  
Card Camera

The camcorder automatically assigns file numbers to captured images. You can select two different methods of file numbering.

#### Types

**SERIAL:** Defines file numbers by incrementing up from the last image captured when inserting a new card.

**RESET:** Defines a new set of file numbers when inserting a new card.

- 1 In Card Camera mode, press the DISPLAY button until the mode screen appears.
- 2 Select "MENU", then "EXECUTE" by using the Operation button (see page 32).
- 3 Press  $\nabla$  or  $\triangle$  to select , then press the centre of the Operation button.
- 4 Press  $\nabla$  or  $\triangle$  to select "FILE NO.", then press the centre of the Operation button.

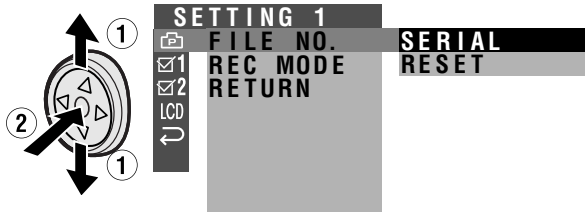
- 5 Press  $\nabla$  or  $\triangle$  to select "SERIAL" or "RESET", then press the centre of the Operation button.

**FILE NO.    RESET**

- 6 Press the DISPLAY button to turn off the menu screen.

#### Note:

- When a warning indicator "MAXIMUM FILE NUMBER" appears on the screen, set FILE NO. menu item to "RESET", then format the card (see page 73) or replace the card with a new one (see page 11).



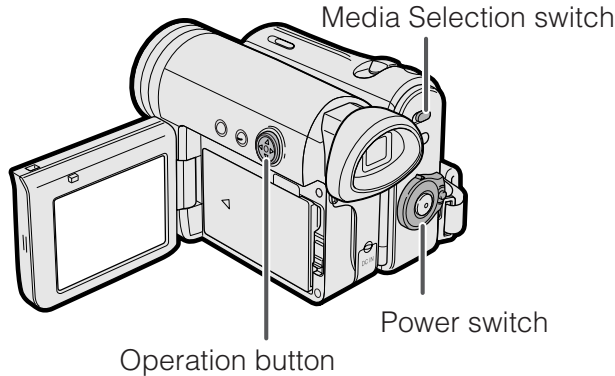
# Digital Still Camera Features

## Playback

### Card Playback

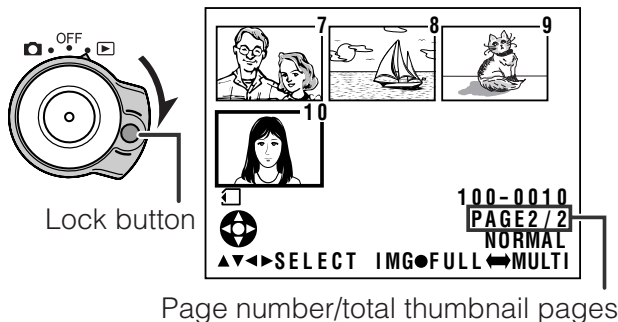
**Available mode:**  
Card Playback

You can play back and view still images recorded on a card on the LCD monitor.

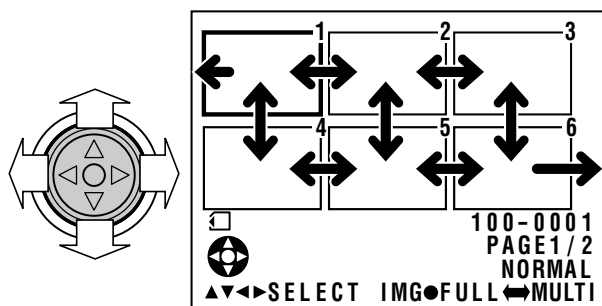


- 1 Set the Media Selection switch to .
- 2 Hold down the Lock button and set the Power switch to .

  - The images recorded on the card are displayed in a thumbnail format.



- 3 Press , , or on the Operation button to move the selection frame to the desired image.
  - Each time you press , , or , the selection frame moves as shown below.

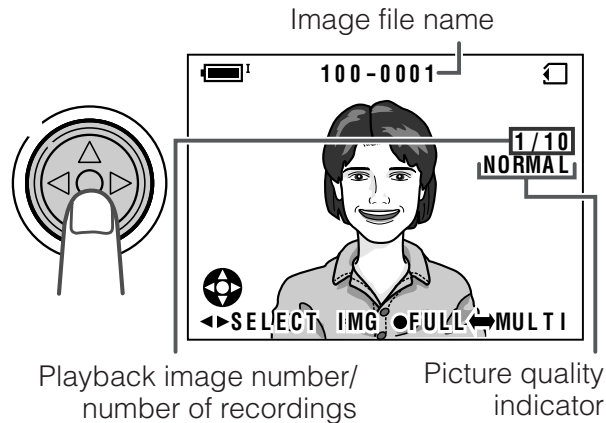


**Note:**

- Holding down or increases the speed of motion of the selection frame.

- 4 Press the centre of the Operation button.

- The selected image displays in full-screen.



### Available Operations during Full-screen Display

- You can display the full-screen picture of the previous or next image by pressing or .
- When holding down or , you can search through the images on the card. The search can be very fast, so it is recommended that the on-screen indicators turns on to display the image number.
- To return to a thumbnail of the images, press the centre of the Operation button again.**

**Notes:**

- You can also set in the mode screen to display the images in full screen or thumbnails.
- Depending on the amount of data for the recorded image, the picture quality indicator displayed during playback may not match the picture quality setting used during recording.
- The images bigger than 640 × 480, e.g. images recorded on other equipment, display as thumbnails, not full screen.
- Do not play back any card storing a defective image (with noise and distortion) created on other equipment. If you mistakenly play back data on such a card, set the Power switch to OFF, remove, and never use it with this camcorder.

# Digital Still Camera Features Playback

## Playback Zoom with the Remote Control (Only supplied with VL-Z501D)

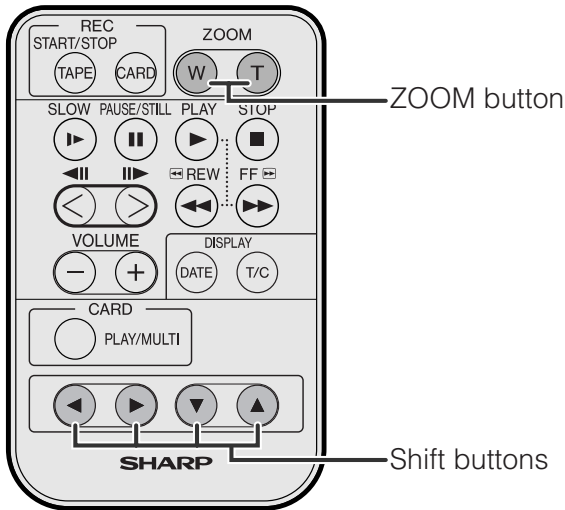
### Available mode:

Card Playback

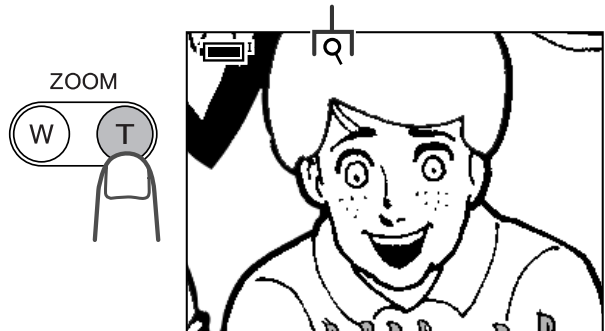
The playback zoom function allows you to magnify the playback picture up to 10 times its original size and shift the magnified picture by using the remote control. (See page 46 for use of the remote control.)

### Note:

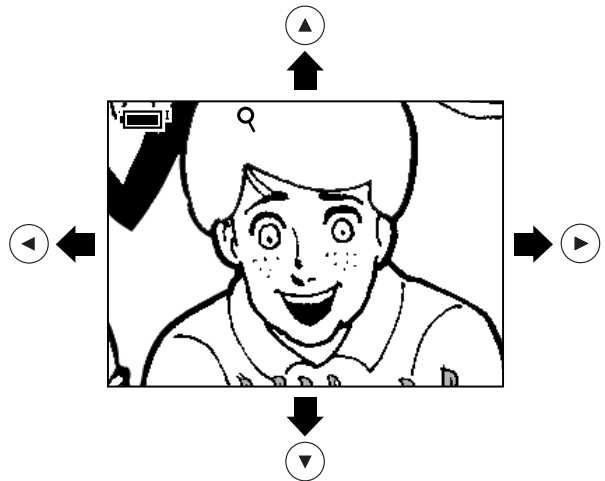
- Playback Zoom does not work in Tape Playback mode.



- 1 During Card Playback, press the ZOOM T button to zoom in.  
Playback zoom indicator



- 2 Press the Shift ◀, ▶, ▲, or ▼ button to shift the displayed image.



## To cancel Playback Zoom

Press the ZOOM W button, which zooms out to the widest angle.

### Note:

- Use of Playback Zoom may cause a reduction in picture quality for still images.

## Delete Protection

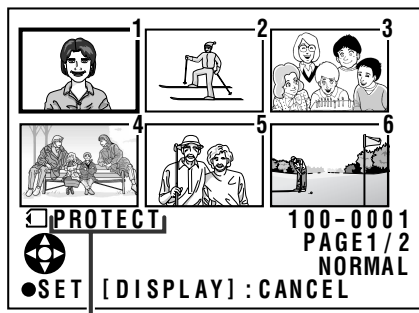
**Available mode:**  
Card Playback

You can prevent your important images recorded on the card from accidental erasure.

- In Card Playback mode, press the DISPLAY button until the mode screen appears.
- Press  $\nabla$  or  $\Delta$  on the Operation button to select "PROTECT", then press the centre of the Operation button.

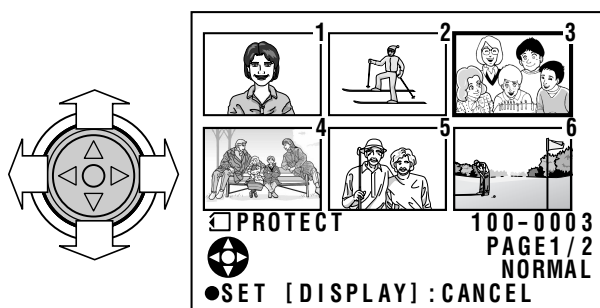


- Press  $\nabla$  or  $\Delta$  to select "EXECUTE", then press the centre of the Operation button.
  - The PROTECT indicator appears.



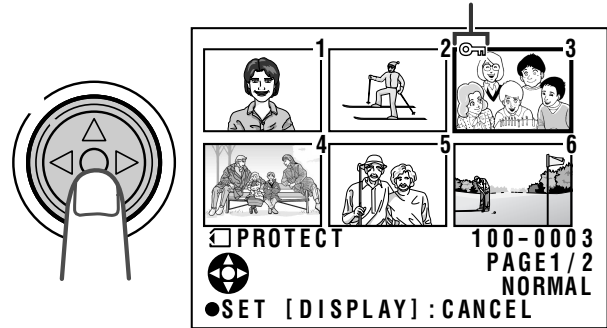
PROTECT indicator

- Press  $\triangleleft$ ,  $\triangleright$ ,  $\nabla$  or  $\Delta$  to select the image for delete protection.



- Press the centre of the Operation button to set delete protection.
  - The  $\text{Ⓞ}$  indicator appears.

Delete protection indicator

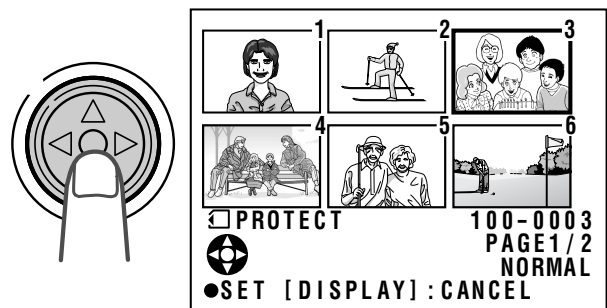


- If you want to protect another image, repeat steps 4 to 5.

- Press the DISPLAY button to finish the setting.

### To cancel the protection setting

- Select the image for delete protection cancellation in step 4 above.
- Press the centre of the Operation button to cancel the protection.
  - The  $\text{Ⓞ}$  indicator disappears.



- Press the DISPLAY button to finish the setting.

#### Note:

- Formatting a card erases all stored images, including delete-protected images.

# Digital Still Camera Features Playback

## Deleting Stored Images

Available mode:  
Card Playback

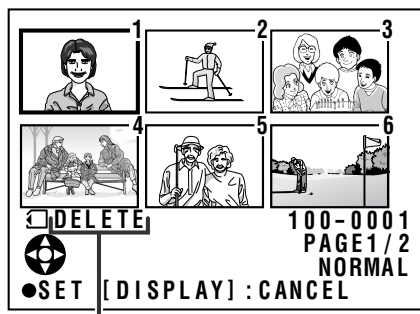
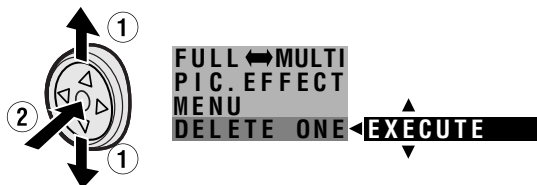
### Deleting One Stored Image

You can delete unwanted images to free up memory of a card for new images.

**Note:**

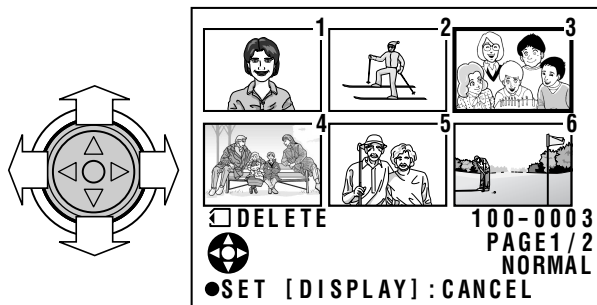
- Deleted images cannot be restored. Check whether or not you want the images before performing the procedure below.

- In Card Playback mode, press the DISPLAY button until the mode screen appears.
- Press  $\nabla$  or  $\Delta$  on the Operation button to select "DELETE ONE", then press the centre of the Operation button.
- Press  $\nabla$  or  $\Delta$  to select "EXECUTE", then press the centre of the Operation button.
  - The DELETE indicator appears.

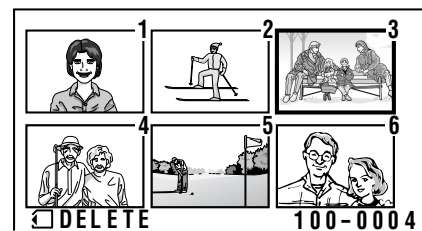
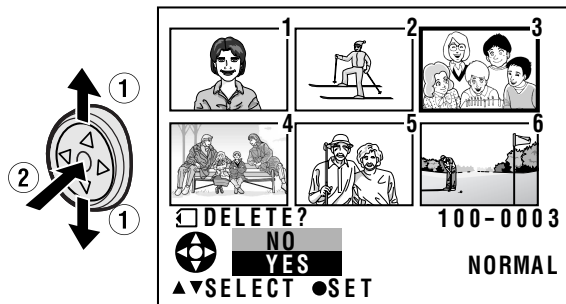


DELETE indicator

- Press  $\triangleleft$ ,  $\triangleright$ ,  $\nabla$  or  $\Delta$  to select the image to be deleted.



- Press the centre of the Operation button to set the image.
- Press  $\nabla$  or  $\Delta$  to select "YES", then press the centre of the Operation button to delete the image.



- To cancel the setting, select "NO".
- If you want to delete another image, repeat steps 4 to 6.

- Press the DISPLAY button to finish the setting.

**Notes:**

- The protected images cannot be deleted. Cancel the protection setting to delete the image (see page 77).
- Do not turn the power off while deleting an image.

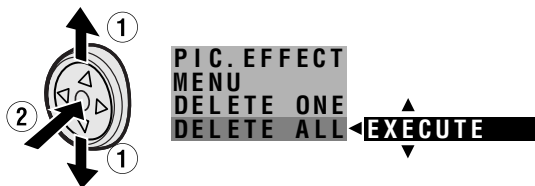
## Deleting All Stored Images

You can delete all stored images on a card in one operation.

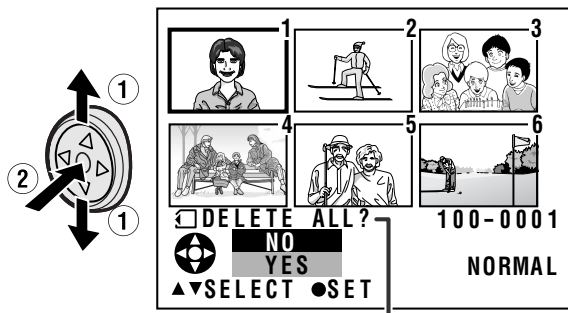
### Notes:

- Deleted images cannot be restored. Check whether or not you want the images before performing the procedure below.
- If you want to keep some images on the card, first delete-protect them (see page 77), and then perform the procedure below.

- In Card Playback mode, press the DISPLAY button until the mode screen appears.
- Press  $\nabla$  or  $\Delta$  on the Operation button to select "DELETE ALL", then press the centre of the Operation button.



- Press  $\nabla$  or  $\Delta$  to select "EXECUTE", then press the centre of the Operation button.
  - The DELETE ALL? indicator appears.



DELETE ALL? indicator

- Press  $\nabla$  or  $\Delta$  to select "YES", then press the centre of the Operation button.
  - To cancel the setting, select "NO".
- Press the DISPLAY button to finish the setting.

### Notes:

- The protected images cannot be deleted. Cancel the protection setting to delete the image (see page 77).
- If a print order is assigned to delete-protected images and you perform the procedure above, the print order will cancel (the protection setting will not cancel).
- It may take several seconds to delete all images from the card.
- Do not turn the power off while deleting images.



# Digital Still Camera Features Playback

## Print Order

**Available mode:**  
Card Playback

The print order function allows you to add print information called DPOF to still images recorded on a card.

### About DPOF

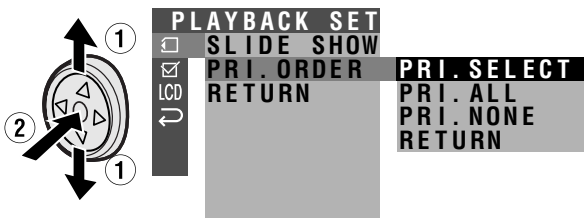
DPOF (Digital Printing Order Format) defines the print information for the specific images and number of each image on memory cards. In the near future you will be able to easily make prints on a DPOF-compatible printer or order copies at your local print shop.

**Note:**

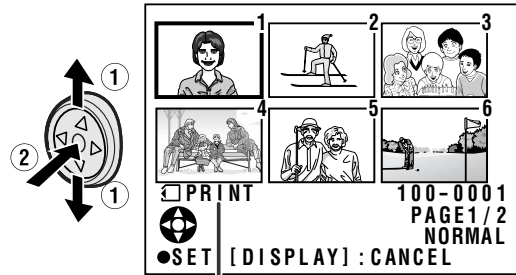
- You can print an image even if no print order has been assigned.

### Assigning Print Order to an Image

- In Card Playback mode, press the DISPLAY button until the mode screen appears.
- Select "MENU", then "EXECUTE" by using the Operation button (see page 32).
- Press  $\nabla$  or  $\triangle$  to select  $\square$ , then press the centre of the Operation button.
- Press  $\nabla$  or  $\triangle$  to select "PRI. ORDER", then press the centre of the Operation button.

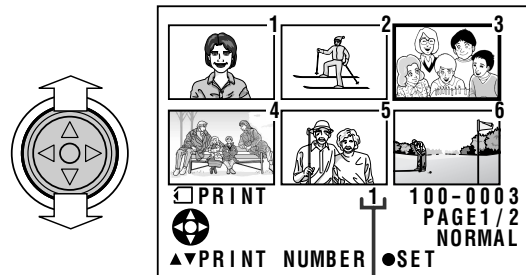


- Press  $\nabla$  or  $\triangle$  to select "PRI. SELECT", then press the centre of the Operation button.
  - The PRINT indicator appears.



PRINT indicator

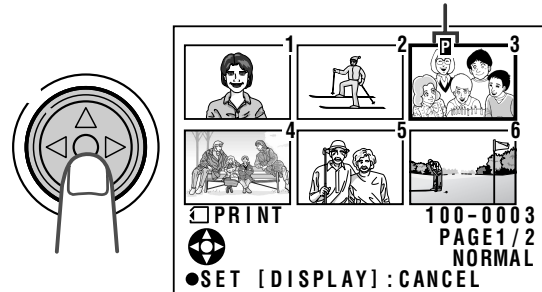
- Press  $\triangleleft$ ,  $\triangleright$ ,  $\nabla$  or  $\triangle$  to select the image to which you want to assign a print order.
- Press the centre of the Operation button, then press  $\nabla$  or  $\triangle$  to select the number of printouts.
  - 1 through 99 can be set for the number of printouts.



Number of printouts

- Press the centre of the Operation button to set the print order.
  - The  $\square$  indicator appears.

$\square$  indicator

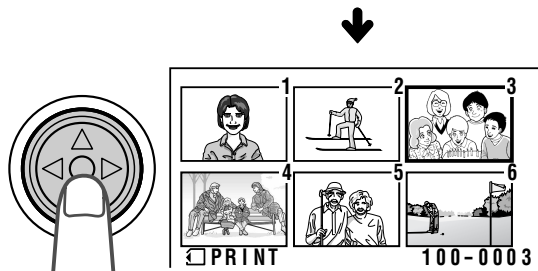
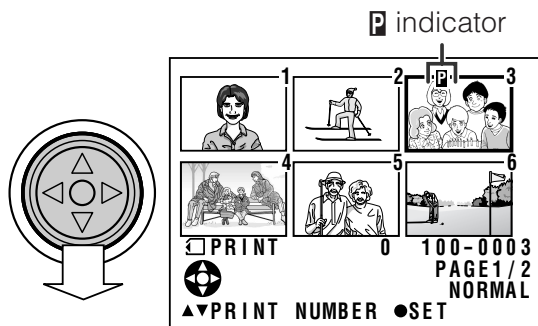


- If you want to assign another print order, repeat steps 6 to 8.

- Press the DISPLAY button to finish the setting.

## To cancel the print order for an image

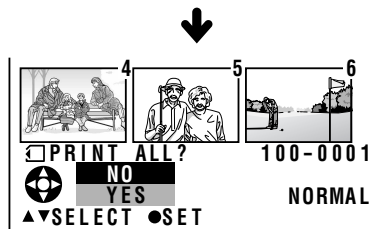
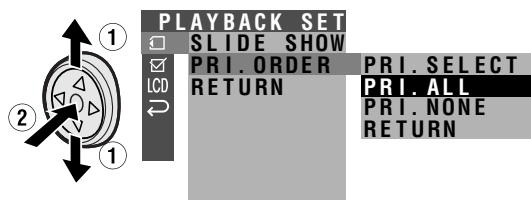
- 1 Select the image for cancelling out of print order in step 6 above, then press the centre of the Operation button.
- 2 Press  $\nabla$  to select "0", then press the centre of the Operation button.
  - The **P** indicator disappears.



- 3 Press the DISPLAY button to finish the setting.

## Assigning Print Order to All Images

- 1 Perform steps 1 to 4 in "Assigning Print Order to an Image".
- 2 Press  $\nabla$  or  $\Delta$  to select "PRI. ALL", then press the centre of the Operation button.



### Note:

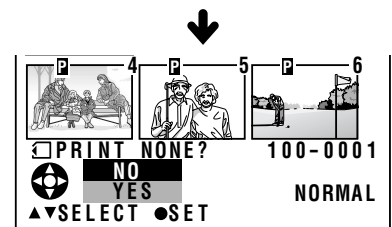
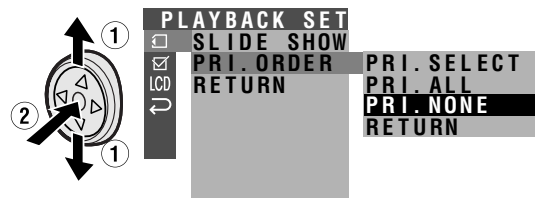
- A warning indicator appears when the print order is set to more than 999 images. To turn off the warning indicator, press the Operation button.

- 3 Press  $\nabla$  or  $\Delta$  to select "YES", then press the centre of the Operation button.

- The **P** indicators appear, and each image is set to 1 print out.
- To cancel the setting, select "NO".

## To cancel the print order for all images

- 1 Perform steps 1 to 4 in "Assigning Print Order to an Image".
- 2 Press  $\nabla$  or  $\Delta$  to select "PRI. NONE", then press the centre of the Operation button to cancel the print order for all images.



- 3 Press  $\nabla$  or  $\Delta$  to select "YES", then press the centre of the Operation button.

- The **P** indicators are turned off.
- To cancel the setting, select "NO".

# Digital Still Camera Features Playback

## Transferring Data on Card to Computer

Using the supplied USB cable, you can transfer still images to a computer.

### System Requirements

- Operating systems
  - Microsoft Windows® XP Home Edition/Professional
  - Microsoft Windows® 2000 Professional
  - Microsoft Windows® Me
  - Microsoft Windows® 98 Second Edition
  - Microsoft Windows® 98
- USB terminal
- CD-ROM drive (for driver installation)
- Mouse or other pointing device

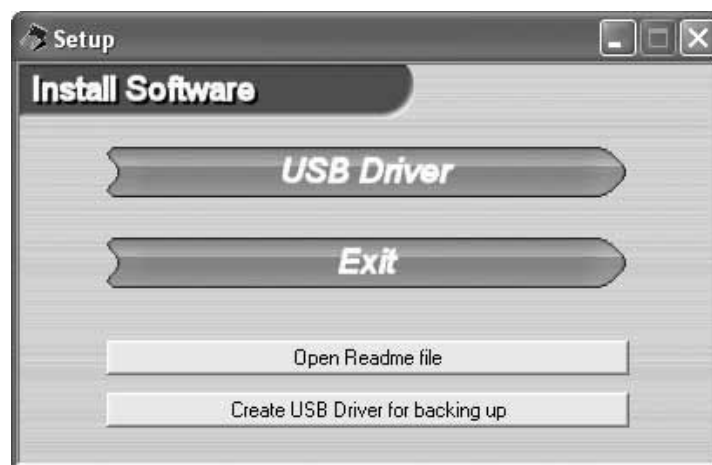
#### Note:

- The USB driver is not compatible with Macintosh operating systems.

### Installing the USB Driver

For installing the USB driver in Windows® XP or Windows® 2000, you need to log in as the system administrator.

- 1 Turn on the PC.
  - Do not connect the camcorder to the PC with the USB cable at this point.
- 2 Insert the supplied CD-ROM containing the USB driver into the CD-ROM drive.
  - The Setup screen will display automatically.



- The example screen shown is for Windows® XP.

#### Note:

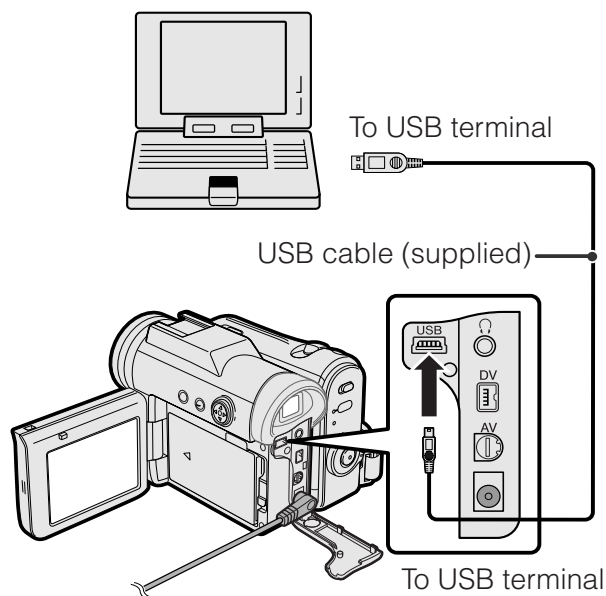
- When the Setup screen does not appear,
  - ① select "Run..." in Windows® "Start" menu, then
  - ② type "R:\SETUP.EXE", and then click on the "OK" button.
- In the example above the CD-ROM drive letter is taken as "R:". Select the correct drive letter according to your operating environment.



- 
- 3** Click the “USB driver” button.
    - Welcome screen appears.
  - 4** Click the “Next” button.
    - Information screen appears
  - 5** Click the “Next” button.
    - Installation begins.
  - 6** Confirm the message on the screen, and then click the “Finish” button to complete the installation.

**Note:**

- If your computer gives you the option to restart, you may do so.

- 7** Insert a card that contains recorded still images into camcorder.
- 8** Connect the camcorder to the PC with the supplied USB cable as shown below.
  - It is recommended to use the AC adapter as a power source for extended periods of use.



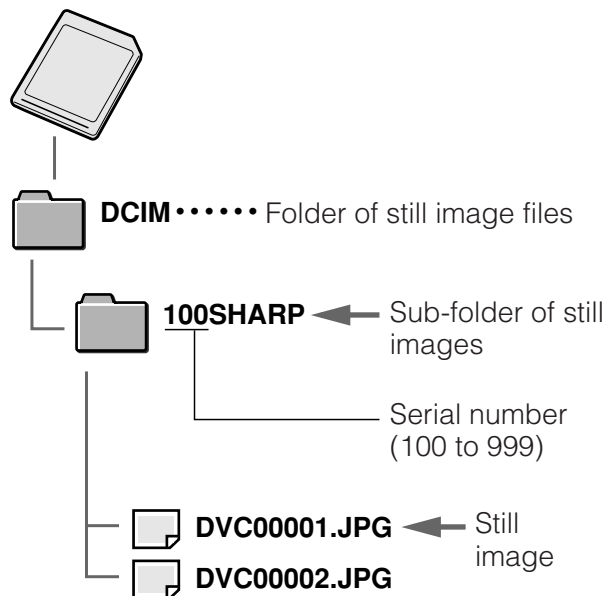
- 9** Set the Media Selection switch to .
- 10** Hold down the Lock button and set the Power switch to .

  - PC will recognize the camcorder automatically.

# Digital Still Camera Features Playback

## Image Folders and File Names

Double-click the My Computer icon on the PC and find a new drive called "Removable Disk (F:)" (or other drive letter, depending on your PC configuration). Still images recorded using the camcorder are stored in files and on a card as shown below.



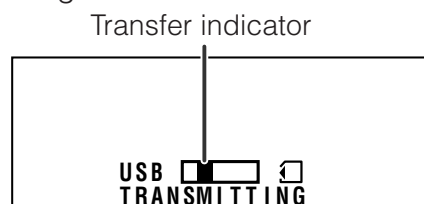
### Note:

- If you copy any data incompatible with this camcorder to the card, the camcorder will not be able to recognize it.


## Caution on transferring data

While transferring data, the transfer indicator moves. Do not execute the operations below.

- Disconnecting the USB cable
- Switching the power on/off
- Turning off the PC or setting it to Standby
- Removing the card



### Note:

- In case of data transfer error, disconnect the USB cable, then connect it again, or set the Power switch to OFF, then set it to  again.

## Disconnecting the USB cable

### Windows Me/2000/XP

- 1 Close Explorer or any open applications.
- 2 Click the "Safely Remove Hardware" (or "Unplug or Eject Hardware") icon that appears on the task bar, and choose an applicable hard drive to stop.
- 3 After the message "Safe To Remove Hardware" appears, disconnect the USB cable.

### Note:

- See Windows Help for the procedure of disconnecting USB cable in detail.

### Windows 98

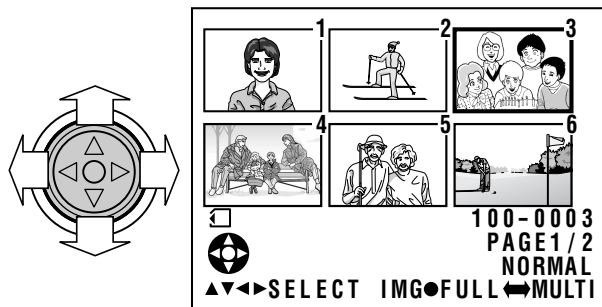
- 1 Close Explorer or any open applications.
- 2 When data is not being transferred (the indicator on LCD display stays still), right-click on the disk drive icon, which appears on explorer window, to eject the disk. After that, disconnect the USB cable.

## Slide Show Playback

**Available mode:**  
Card Playback

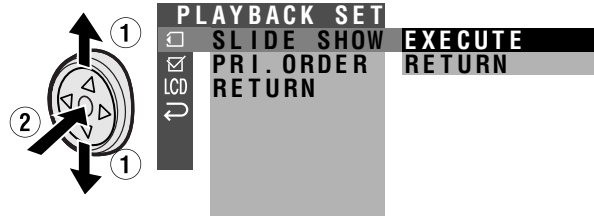
You can automatically play back consecutive still images recorded on a card at intervals of 5 seconds. This is useful when confirming the data recorded on a card.

- 1 Set the camcorder to Card Playback mode.
- 2 Press ◀, ▶, ▽ or ▲ on the Operation button to select the image from which you want to begin slide show playback.



- 3 Press the DISPLAY button until the mode screen appears.
- 4 Press ▽ or ▲ to select "MENU", then press the centre of the Operation button.
- 5 Press ▽ or ▲ to select "EXECUTE", then press the centre of the Operation button.

- 6 Press ▽ or ▲ to select ◻, then press the centre of the Operation button.
- 7 Press ▽ or ▲ to select "SLIDE SHOW", then press the centre of the Operation button.



- 8 Press ▽ or ▲ to select "EXECUTE", then press the centre of the Operation button.
  - Beginning from the image selected in step 2, the recorded images will display in full-screen one after another in order of recording.



- After playing back all the images on the card once, slide show playback automatically stops.
- 9 Press the DISPLAY button to turn off the menu screen.

### To stop slide show playback

During slide show playback, press the centre of the Operation button.

## Picture/Backlight Adjustments

### Available modes:

All modes

If the picture is difficult to see due to ambient light or other factors, adjust the monitor picture settings.

- The example screens shown are for Tape Camera mode.

### Adjusting the Picture

- 1 Press the DISPLAY button until the mode screen appears.
- 2 Press  $\nabla$  or  $\Delta$  on the Operation button to select "MENU", then press the centre of the Operation button.
- 3 Press  $\nabla$  or  $\Delta$  to select "EXECUTE", then press the centre of the Operation button.
- 4 Press  $\nabla$  or  $\Delta$  to select LCD, then press the centre of the Operation button.



- 5 Press  $\nabla$  or  $\Delta$  to select "LCD BRIGHT", "LCD COLOUR" or "VF BRIGHT", then press the centre of the Operation button.

- 6 Press  $\triangleleft$  or  $\triangleright$  to adjust the item to the desired setting, then press the centre of the Operation button.



- 7 Press the DISPLAY button to turn off the menu screen.

### Notes:

- When adjusting the colour, the picture on the LCD monitor may differ from the picture actually recorded. Do not change the colour setting unless necessary. (This adjustment only affects the monitor picture, not the recorded image.)
- The viewfinder turns on if you select "VF BRIGHT".

## Adjusting the Backlight

- 1 Press the DISPLAY button until the mode screen appears.
- 2 Press  $\nabla$  or  $\Delta$  on the Operation button to select "MENU", then press the centre of the Operation button.
- 3 Press  $\nabla$  or  $\Delta$  to select "EXECUTE", then press the centre of the Operation button.
- 4 Press  $\nabla$  or  $\Delta$  to select LCD, then press the centre of the Operation button.
- 5 Press  $\nabla$  or  $\Delta$  to select "BACK-LIGHT", then press the centre of the Operation button.



- 6 Press  $\nabla$  or  $\Delta$  to select "NORMAL" or "BRIGHT", then press the centre of the Operation button.

**BACKLIGHT** **BRIGHT**

**NORMAL:** For use indoors or under moderate lighting conditions.

**BRIGHT:** For use outdoors under strong lighting conditions, such as bright daylight.

- 7 Press the DISPLAY button to turn off the menu screen.



## Turning off the Confirmation Sound

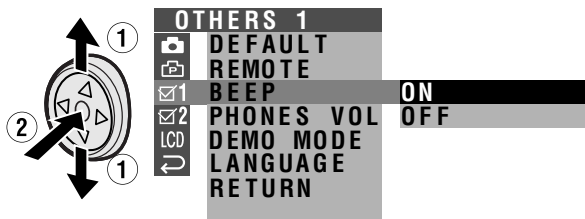
### Available modes:

All modes

A confirmation sound is made when you turn on or off the Power switch, press the Record Start/Stop button, or perform other designated operations. Use the procedure below to turn off the confirmation sounds.

- The example screens shown are for Tape Camera mode.

- 1 Press the DISPLAY button until the mode screen appears.
- 2 Press  $\nabla$  or  $\triangle$  on the Operation button to select "MENU", then press the centre of the Operation button.
- 3 Press  $\nabla$  or  $\triangle$  to select "EXECUTE", then press the centre of the Operation button.
- 4 Press  $\nabla$  or  $\triangle$  to select  1, then press the centre of the Operation button.
- 5 Press  $\nabla$  or  $\triangle$  to select "BEEP", then press the centre of the Operation button.



- 6 Press  $\nabla$  or  $\triangle$  to select "OFF", then press the centre of the Operation button.

**BEEP** OFF

- 7 Press the DISPLAY button to turn off the menu screen.

### Note:

- If you select "OFF", the focus confirmation sound in Card Camera mode will turn off.

## Setting the Camcorder to Factory Presettings

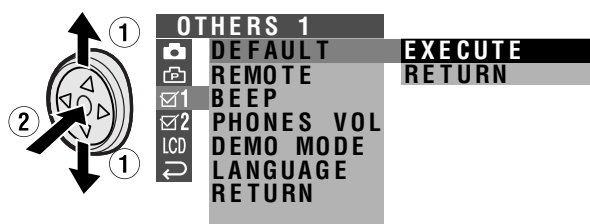
### Available modes:

All modes

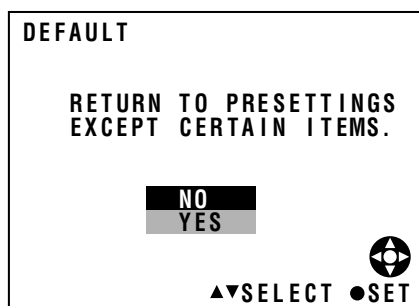
You can set the camcorder to the factory presettings in one operation.

- The example screens shown are for Tape Camera mode.

- 1 Press the DISPLAY button until the mode screen appears.
- 2 Press  $\nabla$  or  $\Delta$  on the Operation button to select "MENU", then press the centre of the Operation button.
- 3 Press  $\nabla$  or  $\Delta$  to select "EXECUTE", then press the centre of the Operation button.
- 4 Press  $\nabla$  or  $\Delta$  to select  1, then press the centre of the Operation button.
- 5 Press  $\nabla$  or  $\Delta$  to select "DEFAULT", then press the centre of the Operation button.



- 6 Press  $\nabla$  or  $\Delta$  to select "EXECUTE", then press the centre of the Operation button.



- 7 Press  $\nabla$  or  $\Delta$  to select "YES", then press the centre of the Operation button.
  - To cancel the setting, select "NO".
- 8 Press the DISPLAY button to turn off the menu screen.

### Note:

- Even when you perform the steps above, the on-screen display language setting and clock setting maintain the memory.

## Demonstration Mode

### Available modes:

Tape Camera, Card Camera

You can watch a brief demonstration of the special camcorder features in Demo mode. If the demonstration appears on the screen when you turn on the camcorder for the first time, cancel the Demo mode to use your camcorder.

### Watching

- The example screens shown are for Tape Camera mode.

- 1 Remove the Mini DV cassette from the camcorder (see page 10).
- 2 In Tape Camera or Card Camera mode, press the DISPLAY button until the mode screen appears.
- 3 Press  $\nabla$  or  $\Delta$  on the Operation button to select "MENU", then press the centre of the Operation button.
- 4 Press  $\nabla$  or  $\Delta$  to select "EXECUTE", then press the centre of the Operation button.
- 5 Press  $\nabla$  or  $\Delta$  to select  1, then press the centre of the Operation button.
- 6 Press  $\nabla$  or  $\Delta$  to select "DEMO MODE", then press the centre of the Operation button.

- 7 Press  $\nabla$  or  $\Delta$  to select "ON", then press the centre of the Operation button.

## DEMO MODE ON

- 8 Set the Power switch to OFF, then hold down the Lock button and set the Power switch to .
  - The demonstration begins.

### Cancelling

- 1 During the demonstration, press the centre of the Operation button to pause the demonstration.
- 2 Press the DISPLAY button until the mode screen appears.
- 3 Perform step 3 to 6 in "Watching", then select "OFF" in step 7.

### Notes:

- The demonstration will pause if you press the centre of the Operation button. If you leave it for 60 seconds, or turn the power off temporarily and then set the Power switch to , the demonstration will begin again.
- Demonstration mode does not work in self recording with reversed grip.



## Useful Information

### Hints for Better Shooting

- Position the subject in the centre of the scene. When using auto focus, whatever is in the centre of the scene is kept in focus.



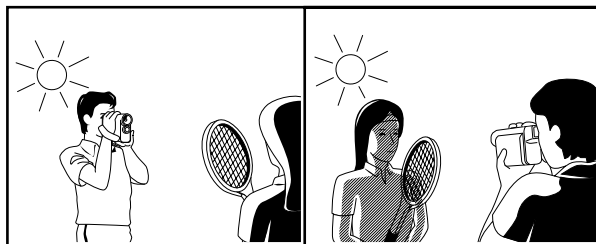
Position the subject in the centre.



Focus manually when you need to position the subject off centre (see page 52).

- Avoid backlit subjects. For the best picture, shoot with the light source behind you.

When the background is brighter than the subject, the subject often becomes too dark. If you have to record in this lighting, use Backlight Compensation or correct the iris value to improve the picture (see pages 34 and 55).



Light from behind

Backlighting

- Before zooming, think about how to best frame the shot. Frequent zooming produces unattractive pictures. It also runs down the battery more quickly.
- When image shaking is noticeable during zoomed-in telephoto shooting, use a tripod or push the Power Zoom control to the W side to zoom out.

- Horizontal panning (lateral movement) and tilting (vertical movement) should be done slowly to emphasize the wide expanse of a scene or the height of a building, and to make scenes easy to watch during playback.

- Use a wide-angle setting for fast-moving subjects.

#### Note:

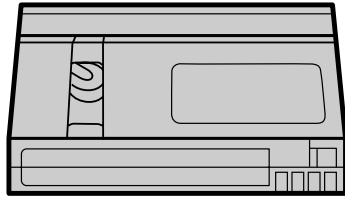
- It may take longer to focus when zooming and panning are used frequently.

### About PRINT Image Matching II

This product supports PRINT Image Matching II. When used in combination, PRINT Image Matching II enabled digital still cameras, printers and software, help photographers to produce images more faithful to their intentions.

PRINT Image Matching is a trademark of Seiko Epson Corporation.

## Mini DV Cassette

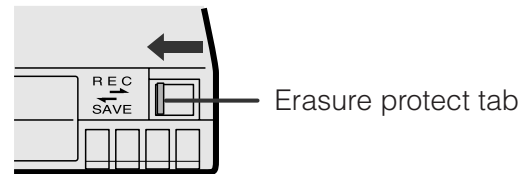


### Precautions when using a Mini DV cassette

- Be sure to use only Mini DV cassettes with the <sup>Mini</sup>DV mark.
- This camcorder can record and play back using Mini DV cassettes with cassette memory, but it cannot record or play back this memory.
- To record in LP mode, use a Mini DV cassette labelled for use with LP mode.
- Do not insert anything into the holes on the bottom of the Mini DV cassette or block them in any way.
- Avoid placing the Mini DV cassette in areas conducive to dust or mold.
- Do not place the Mini DV cassette near magnetic sources such as electric clocks or magnetic devices as this may adversely affect recorded material.
- When a previously recorded Mini DV cassette is used again for recording, the previously recorded material will be automatically erased.
- The Mini DV cassette will not operate if inserted in the wrong direction.
- Do not repeatedly insert and eject the Mini DV cassette without running the tape as this may cause uneven tape winding and damage the tape.
- Do not place the Mini DV cassette in direct sunlight, near strong heat sources, or in areas with excessive steam.
- Store the Mini DV cassette in its case and stand it in an upright position.
- If the tape is not properly wound, rewind the tape.
- Do not drop the Mini DV cassette or subject it to excessive shocks.

### To protect recordings against accidental erasure

Slide the protect tab on the rear of the Mini DV cassette to the “SAVE” position.



To record over a previously recorded tape, slide the protect tab to the “REC” position.



## Copyright Protection

The digital VCR has far superior recording and playback ability than the traditional analog VCR, and in order to protect digital video software copyrights, a system for managing copyrights has been established. Some digital video recording with prerecorded copyright protection signals can still be played back on this camcorder. If you play a digital video recording that has a copyright protection signal on video equipment with a DV terminal and attempt to record a copy of that software on this camcorder, “COPYRIGHT PROTECTED.” appears on the screen and the recording is disabled.

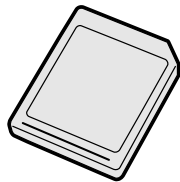
This product incorporates copyright protection technology that is protected by method claims of certain U.S. patents and other intellectual property rights owned by Macrovision Corporation and other rights owners. Use of this copyright protection technology must be authorized by Macrovision Corporation, and is intended for home and other limited viewing uses only unless otherwise authorized by Macrovision Corporation. Reverse engineering or disassembly is prohibited.

## SD™ Memory Card and MultiMediaCard™

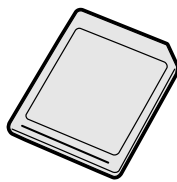
SD (Secure Digital) Memory Cards and MultiMediaCards are small, handy and flexible storage media used in a variety of mobile applications. They are one of the smallest memory solutions available on the market.

This camcorder uses either an SD Memory Card or a MultiMediaCard. It cannot use a SmartMedia™ card or Memory Stick®.

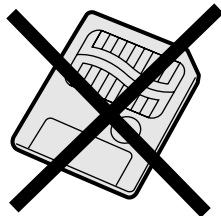
SD™ Memory Card



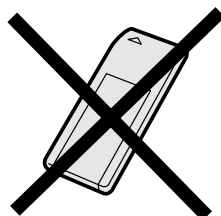
MultiMediaCard™



SmartMedia™ card



Memory Stick® media



- An SD Memory Card has more advanced features than a MultiMediaCard, including cryptographic security for copyrighted data and a selectable mechanical write-protect switch.
- The card slot on this camcorder is compatible with an SD Memory Card or MultiMediaCard.
- An SD Memory Card and a MultiMediaCard are cross-compatible. Data stored on one can be easily transferred to the other.

### Note:

- This camcorder is verified to work properly with the following card memory types.
  - SD Memory Card: 128 MB or less
  - MultiMediaCard: 64 MB or less

## Removable Storage Care

Below are some precautions to ensure a long life and perfect performance from your SD Memory Card (SDMC) or MultiMediaCard (MMC). Information specific to one card is attached with the card's acronym (either SDMC or MMC).

## Precautions

- Be sure to insert the card in the correct direction. Do not try to force the card in.
- Store the card in its antistatic plastic case when not in use.
- Do not disassemble or modify the card.
- Do not strike, bend or drop the card.
- Do not allow the card to become wet.
- Do not peel off the card label.
- Do not attach other labels or stickers to the card.
- Do not expose to extreme heat sources (e.g. sunlight, heating appliances).
- Do not store in a highly humid or dusty place.
- Do not store in a place exposed to corrosive gas.
- Do not use in a place exposed to strong electromagnetism.

## Protecting your images

- Select the write-protect switch on the exterior card casing to protect your images. (SDMC)
- Do not power off any devices while transferring data, as this may destroy the data.
- Back up your image data often to a hard disk or other permanent storage media.
- Be aware that formatting will erase all image data stored on the card.

### Note:

- **Sharp Corporation cannot be held liable for data that is lost through improper handling of the storage media.**

## Cleaning

- Be careful not to allow dirt and finger grime buildup around the card contacts.
- Be careful about static electricity, which can suddenly erase data.
- If you notice dirt or static electricity, clean the card with a soft, dry cloth.

## Condensation

- Be careful about condensation forming on the card surface, which can cause malfunction.
- If you notice beads of water on the card, allow it to evaporate and dry naturally.

## Battery Pack

This camcorder uses a lithium-ion type battery pack.

### Charging

- Charge the battery pack immediately (or a day) before use. The battery pack gradually self-discharges even if stored in a fully charged state.
- Charge the battery pack between 10°C and 30°C.
- Fully charge the battery pack. Use of an insufficiently charged battery pack will shorten actual time of use.
- Refresh (discharging before charging) is unnecessary.

### Use

- To conserve battery power, be sure to turn off the camcorder power when not in use.
- Battery consumption may vary depending on the condition of use. Recording with many starts and stops, frequent zooming, and recording in low temperatures will shorten actual recording times.
- Use of a weak battery pack may cause loss of power while operating the camcorder. Use a fully charged battery pack to protect both the battery pack and the unit.
- It is recommended that you have enough battery packs on hand to handle two or three times your estimated recording time. See page 22 for the approximate times of actual recording for the battery packs.

Battery power is consumed even when the camcorder power is turned off. If you are not going to use your camcorder immediately, remove the battery pack (see page 7).

#### Note:

- Use only SHARP BT-L226 battery packs. These are designed specifically for use with this camcorder.

### Storage


- Store the battery pack in a fully discharged state.
- Store the battery pack in a dry, cool place.
- When storing the battery pack, put it in the original protective plastic bag.

#### Notes:

- Improper handling of the battery pack may present a risk of fire or explosion. Pay close attention to the following:
  - Do not allow metallic objects to come in contact with the terminals. This can cause a short circuit.
  - Do not disassemble or repair the battery pack by yourself.
  - Do not use any battery charging equipment other than that designed for use with these battery packs.
  - Do not place the battery pack under direct sunlight or in excessively hot places (over 60°C) such as the dashboard of cars.
  - Do not expose the battery pack to moisture or water.
  - Do not drop the battery pack or subject it to strong force.
  - Keep the battery pack out of reach of children.
  - Dispose of used battery packs promptly. Do not dispose of them in fire.
- To protect the terminals, put the cover on the battery pack when it is not in use.
- The battery pack will become warm during charging and use. This is not a malfunction.
- The battery pack has a limited service life. If the period of use becomes noticeably shorter with a normal charge, the battery pack is at the end of its service life. Replace it with a new battery pack.
- If the terminals of the battery pack are dirty, wipe the terminals with a soft, dry cloth.

## Extending battery pack life

Even when the battery pack is not used, the capacity of the battery pack will naturally deteriorate over time. To limit the deterioration of the capacity, it is recommended to perform the following procedure at least once every six months:

- ① Charge the battery pack until the POWER/CHARGE (RED) indicator turns off.
- ② Attach the battery pack to the camcorder, and set the Power switch to  without inserting a cassette. Allow the battery power to fully discharge by leaving it on the camcorder until the camcorder power automatically turns off.
- ③ Remove the battery pack and store it between 10°C and 20°C.

## AC Adapter

- The AC adapter may interfere with reception if used near a radio.
- Prevent flammables, liquids, and metal objects from entering the adapter.
- The adapter is a sealed unit. Do not attempt to open or modify it.
- Do not damage, drop, or subject the adapter to vibration.
- Do not leave the adapter in direct sunlight.
- Avoid using the adapter in humid or extremely hot places.

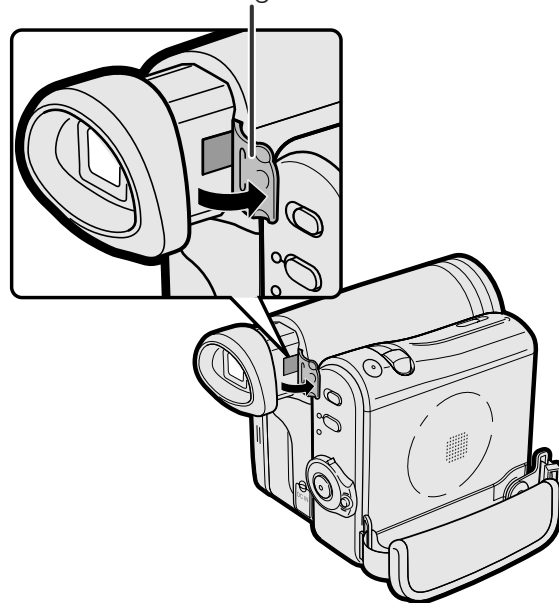
## Replacing the Fluorescent Lamp

This camcorder uses a fluorescent lamp to backlight the LCD monitor. If the monitor becomes dark or difficult to view, the fluorescent lamp may need to be replaced. Contact the nearest SHARP service centre or your dealer for further advice.

## Cleaning

- Many plastic parts are used in the camcorder casing. Do not use thinner, benzene or other strong chemical cleaners. These may cause discolouration and damage to the casing.
- Clean the casing with a soft, dry cloth. If the casing is particularly dirty, wipe the casing with a tightly wrung cloth dampened with a diluted, neutral detergent. Then wipe it again with a soft, dry cloth.
- Use a soft cloth to wipe finger marks and other smudges off the LCD screen.
- Use a soft cloth, or compressed air and lens paper designed for photographic lenses to clean the lens.
- Pull out the viewfinder and open the window cleaning cover as shown below so that you can clean up the inside of the viewfinder with a camera blower.

Window cleaning cover



### Note:

- After cleaning, close the window cleaning cover securely. Closing the viewfinder with the window cleaning cover opened may cause malfunction.



### **Using Your Camcorder Abroad**

Television signal standards and electrical voltages and frequencies vary substantially from country to country. When you are abroad, check the sections below before using the AC adapter or connecting the camcorder to a TV.

#### **AC Adapter (Supplied Accessory)**

The supplied AC adapter is compatible with 50 Hz and 60 Hz electrical systems in the range of 110 V to 240 V AC.

#### **Television Signal Standards**

In any country, you can always watch the video picture by using the LCD monitor screen. However, if you want to watch the picture on a TV screen, the TV must be PAL system compatible. PAL is used in the following areas:

Germany, United Kingdom, Ireland, Sweden, Denmark, Austria, Belgium, Switzerland, Italy, Spain, Holland, Finland, Portugal, Norway, Hong Kong, Thailand, Australia, New Zealand, Singapore, Kuwait, China, etc.

## Troubleshooting

Before calling for service, please check the following troubleshooting table.

	Symptom	Possible cause	Suggested solution
Power	No power.	Power source is not properly connected.	Connect power source properly (pp. 6, 9).
		Battery pack is not charged.	Charge battery pack sufficiently (p. 8).
		Dew in camcorder.	Wait until dew dries (p. vii).
		Safety function is in effect.	Set Power switch to OFF and remove battery pack. Wait for 2 seconds, then reinstall battery pack and turn on power (pp. 6, 7).
Camera mode	Record Start/Stop button does not work.	Erase-protect tab on video cassette is open.	Close tab or use a new cassette (p. 92).
	Power suddenly turns off.	Camcorder left in Recording Standby mode for 5 minutes in Tape Camera mode.	Set Power switch to OFF and then back to Camera mode.
	Auto focus does not work.	Manual Focus mode is engaged.	Set to Auto Focus mode (p. 53).
		Zoom used on close subject.	Zoom out from subject (p. 23).
		Subject has little contrast in brightness, or is full of horizontal or vertical stripes.	Focus manually (p. 52).
	Bright subject produces wide vertical lines.	Occurs when shooting subject with strong contrast to the background. Does not indicate a malfunction.	—
	Display automatically changes in Tape Camera mode.	Camcorder is in Demo mode.	Set the DEMO MODE menu item to "OFF" (p. 90).

# Appendix

	Symptom	Possible cause	Suggested solution
Playback mode	No image appears on connected TV screen.	Video input channel on TV or TV channel is not selected properly.	Select video input channel or TV channel properly (p. 30).
		Audio/video/S-video cable is not properly connected.	Connect audio/video/S-video cable properly (p. 30).
	No image from an external source appears on the camcorder screen.	DV cable or audio/video/S-video cable is not properly connected.	Connect DV cable or audio/video/S-video cable properly (pp. 63, 64, 68).
		The cable connection does not match the S-VIDEO IN menu setting.	Set the S-VIDEO IN menu item to "ON" for S-video connection, or "OFF" for video connection (p. 65).
	Cannot rewind or fast forward tape.	Position at beginning or end of tape.	Rewind or fast forward tape to desired point (p. 27).
		Using a cleaning tape	The cleaning tape will automatically rewind after cleaning finishes (p. viii).
	Video noise in image.	Dirty video heads.	Call for service or use a commercially available cleaning tape (p. viii).
		Old or worn tape.	Use a new cassette.
	No sound.	Using a 12-bit recording tape with AUDIO menu item set to "AUDIO 2".	Set the AUDIO menu item to "AUDIO 1" or "AUDIO 1 + 2" (p. 62).
	Tape does not work.	Power switch is set to Camera mode.	Set the Power switch to Playback mode (p. 21).
		Media Selection switch is set to Card mode.	Set the Media Selection switch to Tape mode (p. 21).
		Battery pack is depleted.	Charge battery pack or replace it with a fully charged one (pp. 6–8).
	Still images in Card mode are rotated 180° upside down.	The images are recorded in self recording with reversed grip.	Transfer the data to PC (pp. 82–84), and rotate the images 180° back by using a commercially available editing software.
Motion images are rotated 180° upside down.	Improper self recording.	Turn on Rotate Playback (p. 50).	

	Symptom	Possible cause	Suggested solution
Card mode	Cannot delete image on card.	Image is delete-protected.	Cancel the protection setting ( <b>p. 77</b> ).
	Cannot format card.	—	Contact your dealer for advise.
General	Battery pack is easily depleted.	Using camcorder in extremely cold environment.	Warm up battery pack, for example in your pocket, just before using it.
		Battery pack is not fully charged.	Charge battery pack sufficiently ( <b>p. 8</b> ).
	Clock has been re-set.	Lithium battery is not properly installed.	Install lithium battery properly ( <b>p. 12</b> ).
		Lithium battery is depleted.	Replace new lithium battery ( <b>p. 12</b> ).
	Cassette will not eject.	Power source is not properly connected.	Connect power source properly ( <b>pp. 6, 9</b> ).
		Battery pack is not charged.	Charge battery pack sufficiently ( <b>p. 8</b> ).
		Camcorder is recording.	Stop recording and try again ( <b>p. 23</b> ).
	No image on monitor.	Backlight has been turned off.	Turn on backlight ( <b>p. 24</b> ).
		Fluorescent lamp has burned out.	Call for service.
	Viewfinder picture is hard to see.	Viewfinder dioptre is not properly adjusted.	Adjust dioptre ( <b>p. 18</b> ).
		Inappropriate picture adjustments.	Adjust picture ( <b>p. 86</b> ).
	Monitor picture is hard to see.	Inappropriate picture adjustments.	Adjust picture ( <b>p. 86</b> ).
	POWER/CHARGE (RED) indicator flashes in red when charging battery pack.	AC adapter or battery pack may have malfunctioned.	Call for service.
Cannot edit to connected VCR.	Audio/video/S-video cable is not properly connected.	Connect audio/video/S-video cable properly ( <b>p. 63</b> ).	

# Appendix

	Symptom	Possible cause	Suggested solution
General	Remote control does not function.	REMOTE menu item is set to "OFF".	Set REMOTE menu item to "ON" (p. 46).
		Remote control battery has run down.	Replace remote control battery with new one (p. 12).
		Remote control used beyond operating range.	Use remote control within operating range (p. 46).
		Intense daylight falling on camcorder remote sensor.	Protect remote sensor from exposure to intense daylight (p. 46).
		Obstacle between remote control and camcorder remote sensor.	Remove obstacle or use remote control from different angle (p. 46).
	"E007" is displayed on the screen, and unable to operate normally.	The camcorder may be damaged.	Do not take out a cassette, and call for service.

## Notes:

- This unit is equipped with a microprocessor. Its performance could be adversely affected by external electrical noise or interference. If this should happen, turn off the power and disconnect the unit from any power sources, including the lithium battery, etc. Then reconnect the power sources to resume operation.
- If the characters displayed in the viewfinder or on the LCD monitor screen appear to malfunction, disconnect the power source and remove the lithium battery, then reconnect the power source, insert the lithium battery, and turn the power on again. The characters on the monitor should be normal. Set the date and time, then resume operation.

## Specifications

### Camcorder

Signal System:	PAL standard
Recording System:	2 rotary heads, helical scanning system
Cassette:	Digital VCR Mini DV video cassette
Recording/Playback Time:	90 minutes (DVM60, LP mode)
Tape Speed:	SP mode: 18.831 mm/second LP mode: 12.568 mm/second
Pickup Device:	1/4" (6.4 mm, effective size: 4.5 mm) CCD image sensor (with approx. 800,000 pixels including optical black, effective pixels: approx. 414,000 pixels)
Lens:	10× optical zoom lens (F1.8, f=3.8–38.0 mm)
Lens Filter Diameter:	30 mm
Monitor:	2.5" (6.4 cm) CGSilicon
Built-in microphone:	Electret stereo microphone
Colour Temperature Compensation:	Auto white balance with white balance lock
Minimum Illumination:	2 lux* (with gain-up, F1.8)
Still Image Compression System:	JPEG base line conformance
Still Image Recording Format:	JPEG (Exif2.2)
Still Image Recording Medium:	SD Memory Card, MultiMediaCard
Power Requirement:	DC 7.4 V
Power Consumption:	3.6 W (during camera recording in Tape Camera mode using the viewfinder in Full Auto mode with the DIS function on) 4.2 W (during camera recording in Tape Camera mode using the LCD monitor in Full Auto mode with the DIS function on and backlight in normal mode)
Operating Temperature:	0°C to +40°C
Operating Humidity:	30% to 80%
Storage Temperature:	–20°C to +60°C
Dimensions (W×H×D) (approx.):	82.8 mm × 82.2 mm × 101.5 mm
Weight (approx.):	VL-Z501D: 485 g VL-Z301D: 478 g (without battery pack, lithium battery, video cassette, lens cap and card)

### AC Adapter (UADP-A016WJZZ)

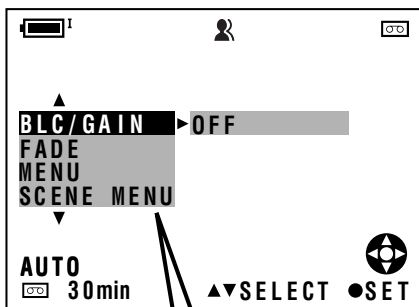
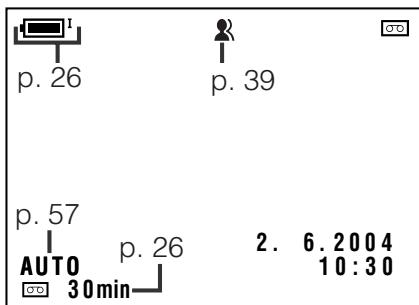
Power Requirement:	AC 110–240 V, 50/60 Hz
DC Output:	10 V
Dimensions (W×H×D) (approx.):	49.0 mm × 27.5 mm × 79.0 mm
Weight (approx.):	125 g

Specifications are subject to change without notice.

\*Minimum illumination: Since there is no widely accepted testing procedure for determining minimum illumination capability, lux ratings are comparable only between models from the same manufacturer.

## On-screen Display Index

### Tape Camera mode



pp. 34, 35

- p. 36 — BLC/GAIN
- p. 32 — FADE
- p. 58 — MENU
- p. 53 — SCENE MENU
- p. 52 — MANUAL SET
- p. 53 — FOCUS
- p. 53 — AUTO FOCUS
- p. 48 — DATE DISP.

**SETTING 1**

- QK. RETURN — p. 37
- DGTL ZOOM — p. 33
- TAPE SPEED — p. 43
- RETURN

**SETTING 2**

- DIS — p. 39
- 16:9 — p. 42
- AUDIO MODE — p. 45
- WIND — p. 44
- RETURN

**OTHERS 1**

- DEFAULT — p. 89
- REMOTE — p. 46
- BEEP — p. 88
- \*PHONES VOL — p. 29
- DEMO MODE — p. 90
- LANGUAGE — p. 13
- RETURN

**OTHERS 2**

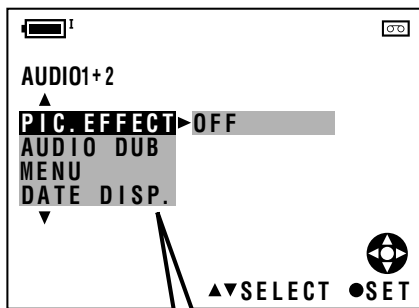
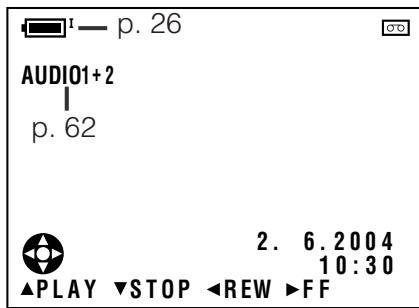
- TIME CODE — p. 59
- TC OUT — p. 59
- 12H/24H — p. 15
- SETTING — p. 14
- RETURN

**LCD SET**

- BACKLIGHT — p. 87
- LCD BRIGHT — p. 86
- LCD COLOUR — p. 86
- VF BRIGHT — p. 86
- RETURN

\* VL-Z501D only.  
 "PHONES VOL" does not appear with VL-Z301D.

## Tape Playback mode



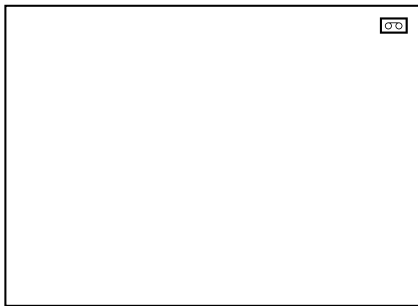
p. 49 — PIC.EFFECT  
 p. 61 — AUDIO DUB  
 p. 32 — MENU  
 p. 48 — DATE DISP.

**PLAYBACK SET**  
 ROTATE PB — p. 62  
 AUDIO — p. 68  
 ANLG▶DRTL — p. 68  
 RETURN

**OTHERS 1**  
 DEFAULT — p. 89  
 REMOTE — p. 46  
 BEEP — p. 88  
 RETURN

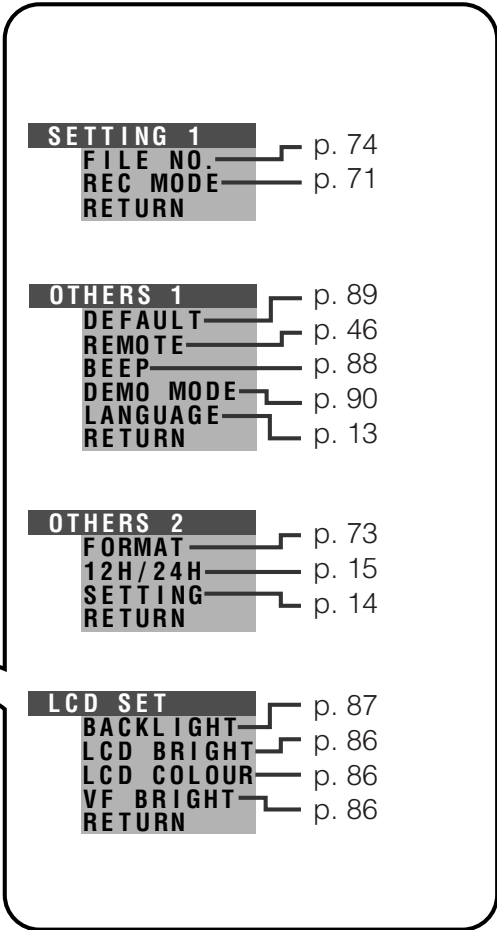
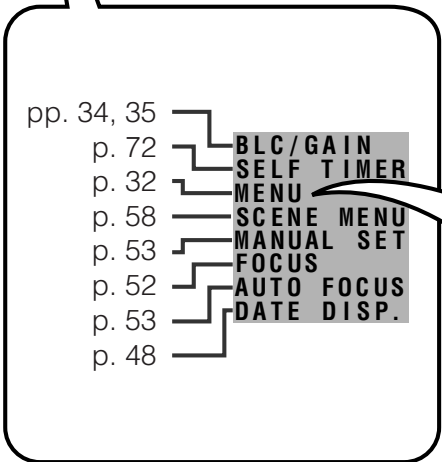
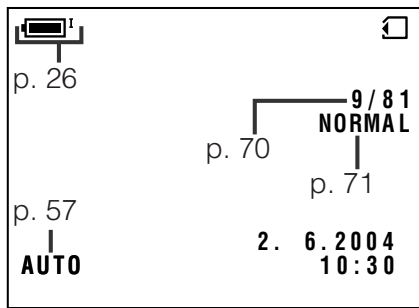
**OTHERS 2**  
 TIME CODE — p. 59  
 TC OUT — p. 59  
 S-VIDEO IN — p. 65  
 RETURN

**LCD SET**  
 BACKLIGHT — p. 87  
 LCD BRIGHT — p. 86  
 LCD COLOUR — p. 86  
 VF BRIGHT — p. 86  
 RETURN

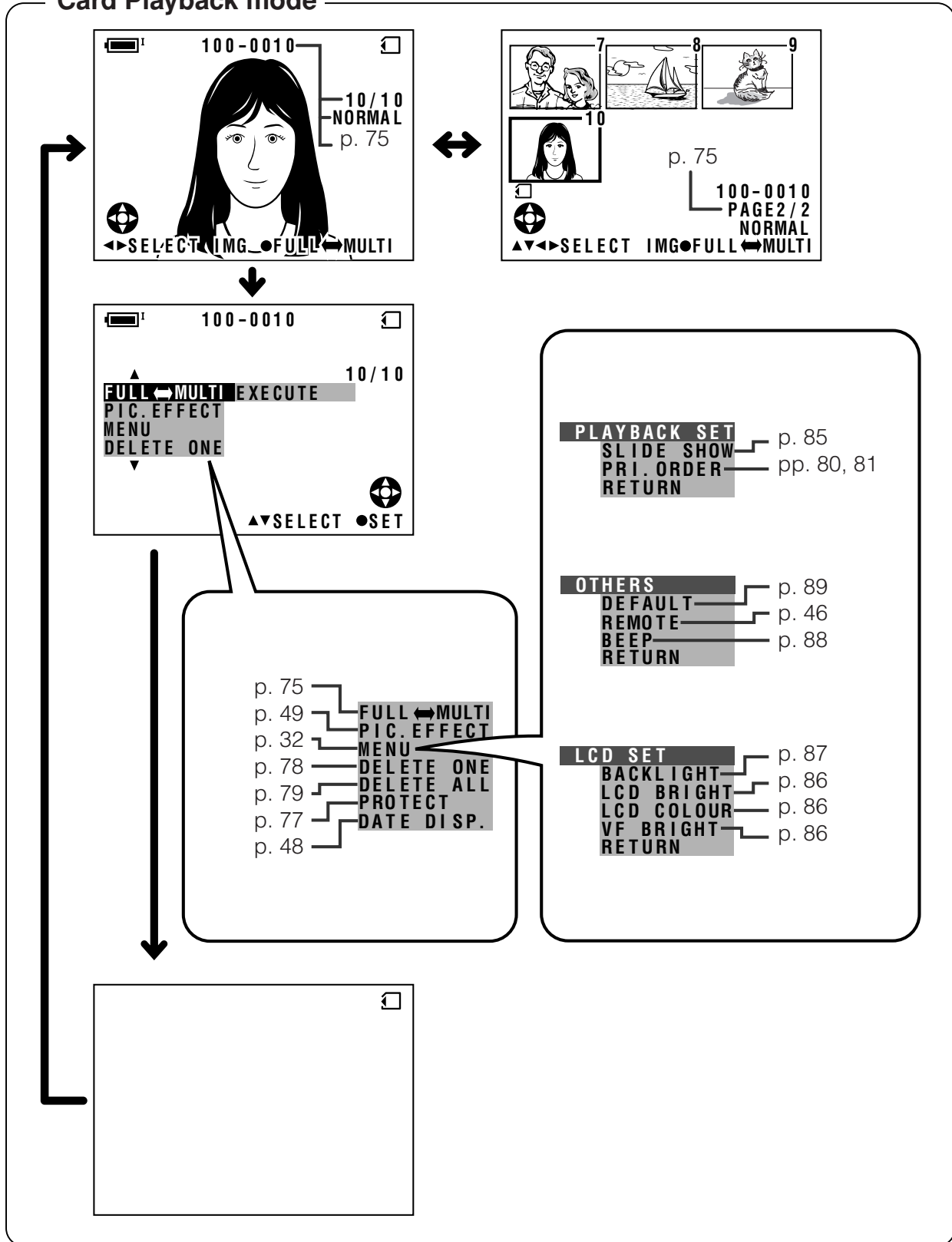




## Card Camera mode



## Card Playback mode



# SHARP CORPORATION

Printed in China  
TINS-A982WJZZ  
03P09-C-G