



# TS3100 series 在线手册

基本操作  
网络  
使用纸张、原稿、FINE 墨盒等  
维护  
本机概述  
纸张相关信息  
打印  
复印  
扫描  
常见问题  
与错误对应的支持代码列表

# 目录

使用在线手册.....	9
该文档中使用的符号.....	10
已启用触摸功能的设备用户 (Windows).....	11
商标和许可协议.....	12
基本操作.....	23
从计算机打印照片.....	24
从智能手机/平板电脑打印照片.....	29
复印.....	32
网络.....	36
限制.....	38
网络连接提示.....	39
默认网络设置.....	40
找到其他具有相同名称的打印机.....	41
通过 LAN 连接到其他计算机/从 USB 更改为 LAN 连接.....	42
打印网络设置.....	43
更改无线 LAN 连接方法.....	47
使用纸张、原稿、FINE 墨盒等.....	48
装入纸张.....	49
装入普通纸/照片纸.....	50
放置原稿.....	54
在稿台玻璃上放置原稿.....	55
支持的原稿.....	57
更换 FINE 墨盒.....	58
更换 FINE 墨盒.....	59
通过操作面板上的墨水指示灯检查墨水状态.....	65
墨水提示.....	66
维护.....	67
如果打印变得暗淡或不均匀.....	68
维护步骤.....	69
打印喷嘴检查图案.....	72

检查喷嘴检查图案.....	73
清洗打印头.....	74
深度打印头清洗.....	75
对齐打印头.....	76
<b>清洁.....</b>	<b>79</b>
清洁进纸滚轴.....	80
清洁打印机内部(底板清洁).....	82
<b>概述.....</b>	<b>84</b>
<b>安全相关.....</b>	<b>85</b>
安全注意事项.....	86
法规信息.....	87
WEEE (EU&EEA).....	89
<b>使用注意事项.....</b>	<b>90</b>
扫描/复印的法律限制.....	91
打印机使用注意事项.....	92
运输打印机.....	93
修理、外借或处置打印机时.....	94
保持高打印质量.....	95
<b>主要部件和使用方法.....</b>	<b>96</b>
<b>主要部件.....</b>	<b>97</b>
前视图.....	98
后视图.....	100
内部视图.....	101
操作面板.....	102
<b>电源供应.....</b>	<b>104</b>
确认电源已开启.....	105
开启和关闭打印机.....	106
检查电源插头/电源线.....	108
拔出打印机插头.....	109
LCD 屏幕指示.....	110
<b>更改设置.....</b>	<b>111</b>
从您的计算机中更改打印机设置(Windows).....	112
更改打印选项.....	113

注册常用打印配置文件.....	114
设置要使用的 FINE 墨盒.....	116
管理打印机电源.....	117
更改打印机操作模式.....	119
从操作面板更改设置.....	120
静音设置.....	121
初始化打印机设置.....	122
转换/禁用无线连接功能.....	123
规格.....	124
纸张相关信息.....	128
支持的介质类型.....	129
纸张装入限量.....	131
不支持的介质类型.....	133
处理纸张.....	134
打印.....	135
从计算机打印.....	136
从应用程序软件打印(Windows 打印机驱动程序).....	137
基本打印设置.....	138
打印机驱动程序上的纸张设置.....	141
多种打印方法.....	142
设置页尺寸和方向.....	143
设置打印份数和打印顺序.....	144
执行无边距打印.....	146
比例打印.....	148
页面布局打印.....	151
平铺/海报打印.....	153
双面打印.....	156
在明信片上打印.....	158
打印机驱动程序概述.....	159
Canon IJ 打印机驱动程序.....	160
打开打印机驱动程序的设置屏幕.....	161
Canon IJ 状态监视器.....	162
从计算机检查墨水状态.....	163

使用说明(打印机驱动程序).....	164
打印机驱动程序描述.....	165
快速设置选项卡描述.....	166
主要选项卡描述.....	171
页设置选项卡描述.....	176
维护选项卡描述.....	187
Canon IJ 状态监视器描述.....	189
安装 MP Drivers.....	192
从智能手机/平板电脑打印.....	193
通过无线直连进行打印/扫描.....	194
纸张设置.....	196
复印.....	199
在普通纸上复印.....	200
在照片纸上复印.....	202
扫描.....	204
从计算机扫描 (Windows).....	205
根据项目类型或用途进行扫描(IJ Scan Utility).....	206
IJ Scan Utility 功能.....	207
轻松扫描(自动扫描).....	209
扫描文档和照片.....	210
使用应用程序软件(ScanGear)扫描.....	211
什么是 ScanGear(扫描仪驱动程序)?.....	212
启动 ScanGear(扫描仪驱动程序).....	214
在基本模式下扫描.....	215
ScanGear(扫描仪驱动程序)屏幕.....	218
基本模式选项卡.....	219
高级模式选项卡.....	226
注意事项(扫描仪驱动程序).....	232
扫描提示.....	233
放置原稿(从计算机扫描).....	234
网络扫描设置.....	236
常见问题.....	238

网络设置和常见问题.....	240
网络通讯问题.....	242
无法在网络上找到打印机.....	243
设置时无法在检查打印机设置屏幕上找到打印机(Windows).....	244
进行无线 LAN 设置时无法在检查打印机设置屏幕上找到打印机(Windows)-检查电源状态..	245
进行无线 LAN 设置时无法在检查打印机设置屏幕上找到打印机(Windows)-检查计算机网络连接.....	246
进行无线 LAN 设置时无法在检查打印机设置屏幕上找到打印机(Windows)-检查打印机的无线 LAN 设置.....	247
进行无线 LAN 设置时无法在检查打印机设置屏幕上找到打印机(Windows)-检查无线 LAN 环境.....	248
进行无线 LAN 设置时无法在检查打印机设置屏幕上找到打印机(Windows)-检查打印机的 IP 地址.....	250
进行无线 LAN 设置时无法在检查打印机设置屏幕上找到打印机(Windows)-检查安全软件设置..	251
进行无线 LAN 设置时无法在检查打印机设置屏幕上找到打印机(Windows)-检查无线路由器设置.....	252
在打印机连接屏幕无法继续操作.....	253
使用无线 LAN 时无法找到打印机.....	255
网络连接问题.....	258
打印机突然无法使用.....	259
网络密钥未知.....	263
更换无线路由器或更改其设置后无法使用打印机.....	265
其他网络问题.....	267
检查网络信息.....	268
恢复至出厂默认值.....	271
打印问题.....	272
打印不开始.....	273
没有墨水喷出.....	275
纸张没有正确送入/“无纸”错误.....	277
打印结果不理想.....	279
纸张空白/打印模糊不清/颜色错误/出现白色条纹.....	281
颜色不清晰.....	284
线条未对齐.....	286
纸张出现污迹/打印面有划痕.....	287
扫描的问题 (Windows).....	290

扫描的问题.....	291
扫描仪不工作.....	292
ScanGear(扫描仪驱动程序)不启动.....	293
机械问题.....	294
电源未开启.....	295
电源自动关闭.....	296
USB 连接问题.....	297
无法通过 USB 与打印机通讯.....	298
安装和下载问题.....	299
无法安装 MP Drivers(Windows).....	300
在网络环境中更新 MP Drivers(Windows).....	302
错误和信息.....	303
发生错误.....	304
出现信息(支持代码).....	310
与错误对应的支持代码列表.....	316
与错误对应的支持代码列表(卡纸).....	318
1300.....	319
打印机内卡纸.....	320
1000.....	323
1200.....	324
1203.....	325
1401.....	326
1430.....	327
1485.....	328
1682.....	329
1686.....	330
1688.....	331
168A.....	332
1700.....	333
1890.....	334
2900.....	335
2901.....	336

4102.....	337
4103.....	338
5011.....	339
5012.....	340
5100.....	341
5200.....	342
5B00.....	343
6000.....	344



## 使用在线手册

- ▶ 操作环境
- ▶ 该文档中使用的符号
- ▶ 已启用触摸功能的设备用户(Windows)
- ▶ 打印在线手册
- ▶ 商标和许可协议
- ▶ 本手册中的屏幕截图

## 该文档中使用的符号

### 警告

如果忽略说明，可能会由于不正确的设备操作而导致死亡或严重的人身伤害。为安全操作必须注意该说明。

### 注意

如果忽略说明，可能会由于不正确的设备操作而导致人身伤害或器材损坏。为安全操作必须注意该说明。

### 重要事项

包含重要信息的用法说明。要避免机器损坏、人身伤害或不正当使用本产品，请务必阅读这些指示。

### 注释

该说明包括对于操作和其他解释的注意事项。

### 基础

介绍产品基本操作的说明。

### 注释

- 根据产品，图标可能会有所不同。

## 已启用触摸功能的设备用户 (Windows)

对于触摸操作，需要使用操作系统中设置的操作替换本文档中的“右键单击”。例如，如果操作系统中设置的操作为“按住”，请将“右键单击”替换为“按住”。

## 商标和许可协议

- Microsoft 是 Microsoft Corporation 的注册商标。
- Windows 是 Microsoft Corporation 在美国和/或其他国家/地区的商标或注册商标。
- Windows Vista 是 Microsoft Corporation 在美国和/或其他国家/地区的商标或注册商标。
- Internet Explorer 是 Microsoft Corporation 在美国和/或其他国家/地区的商标或注册商标。
- Mac、Mac OS、AirPort、App Store、AirPrint、AirPrint 徽标、Safari、Bonjour、iPad、iPhone 和 iPod touch 是 Apple Inc.在美国和其他国家/地区注册的商标。macOS 是 Apple Inc.的商标。
- IOS 是 Cisco 在美国和其他国家/地区的商标或注册商标，在许可下使用。
- Google Cloud Print、Google Chrome、Chrome OS、Chromebook、Android、Google Play、Google Drive、Google Apps 和 Google Analytics 是 Google Inc.的注册商标或商标。
- Adobe、Flash、Photoshop、Photoshop Elements、Lightroom、Adobe RGB 和 Adobe RGB (1998)是 Adobe Systems Incorporated 在美国和/或其他国家/地区的注册商标或商标。
- Bluetooth 是 Bluetooth SIG, Inc., U.S.A.的商标并授权给 Canon Inc.
- Autodesk 和 AutoCAD 是 Autodesk, Inc.和/或其子公司和/或其关联公司在美国和/或其他国家/地区的注册商标或商标。

### »» 注释

- Windows Vista 的正式名称为 Microsoft Windows Vista 操作系统。

Copyright (c) 2003-2015 Apple Inc. All rights reserved.

Redistribution and use in source and binary forms, with or without modification, are permitted provided that the following conditions are met:

1. Redistributions of source code must retain the above copyright notice, this list of conditions and the following disclaimer.
2. Redistributions in binary form must reproduce the above copyright notice, this list of conditions and the following disclaimer in the documentation and/or other materials provided with the distribution.
3. Neither the name of Apple Inc. ("Apple") nor the names of its contributors may be used to endorse or promote products derived from this software without specific prior written permission.

THIS SOFTWARE IS PROVIDED BY APPLE AND ITS CONTRIBUTORS "AS IS" AND ANY EXPRESS OR IMPLIED WARRANTIES, INCLUDING, BUT NOT LIMITED TO, THE IMPLIED WARRANTIES OF MERCHANTABILITY AND FITNESS FOR A PARTICULAR PURPOSE ARE DISCLAIMED. IN NO EVENT SHALL APPLE OR ITS CONTRIBUTORS BE LIABLE FOR ANY DIRECT, INDIRECT, INCIDENTAL, SPECIAL, EXEMPLARY, OR CONSEQUENTIAL DAMAGES (INCLUDING, BUT NOT LIMITED TO, PROCUREMENT OF SUBSTITUTE GOODS OR SERVICES; LOSS OF USE, DATA, OR PROFITS; OR BUSINESS INTERRUPTION) HOWEVER CAUSED AND ON ANY THEORY OF LIABILITY, WHETHER IN CONTRACT, STRICT LIABILITY, OR TORT (INCLUDING NEGLIGENCE OR OTHERWISE) ARISING IN ANY WAY OUT OF THE USE OF THIS SOFTWARE, EVEN IF ADVISED OF THE POSSIBILITY OF SUCH DAMAGE.

Apache License

Version 2.0, January 2004

<http://www.apache.org/licenses/>

TERMS AND CONDITIONS FOR USE, REPRODUCTION, AND DISTRIBUTION

1. Definitions.

"License" shall mean the terms and conditions for use, reproduction, and distribution as defined by Sections 1 through 9 of this document.

"Licensor" shall mean the copyright owner or entity authorized by the copyright owner that is granting the License.

"Legal Entity" shall mean the union of the acting entity and all other entities that control, are controlled by, or are under common control with that entity. For the purposes of this definition, "control" means (i) the power, direct or indirect, to cause the direction or management of such entity, whether by contract or otherwise, or (ii) ownership of fifty percent (50%) or more of the outstanding shares, or (iii) beneficial ownership of such entity.

"You" (or "Your") shall mean an individual or Legal Entity exercising permissions granted by this License.

"Source" form shall mean the preferred form for making modifications, including but not limited to software source code, documentation source, and configuration files.

"Object" form shall mean any form resulting from mechanical transformation or translation of a Source form, including but not limited to compiled object code, generated documentation, and conversions to other media types.

"Work" shall mean the work of authorship, whether in Source or Object form, made available under the License, as indicated by a copyright notice that is included in or attached to the work (an example is provided in the Appendix below).

"Derivative Works" shall mean any work, whether in Source or Object form, that is based on (or derived from) the Work and for which the editorial revisions, annotations, elaborations, or other modifications represent, as a whole, an original work of authorship. For the purposes of this License, Derivative Works shall not include works that remain separable from, or merely link (or bind by name) to the interfaces of, the Work and Derivative Works thereof.

"Contribution" shall mean any work of authorship, including the original version of the Work and any modifications or additions to that Work or Derivative Works thereof, that is intentionally submitted to Licensor for inclusion in the Work by the copyright owner or by an individual or Legal Entity authorized to submit on behalf of the copyright owner. For the purposes of this definition, "submitted" means any form of electronic, verbal, or written communication sent to the Licensor or its representatives, including but not limited to communication on electronic mailing lists, source code control systems, and issue tracking systems that are managed by, or on behalf of, the Licensor for the purpose of discussing and improving the Work, but excluding communication that is conspicuously marked or otherwise designated in writing by the copyright owner as "Not a Contribution."

"Contributor" shall mean Licensor and any individual or Legal Entity on behalf of whom a Contribution has been received by Licensor and subsequently incorporated within the Work.

2. Grant of Copyright License. Subject to the terms and conditions of this License, each Contributor hereby grants to You a perpetual, worldwide, non-exclusive, no-charge, royalty-free, irrevocable copyright license to reproduce, prepare Derivative Works of, publicly display, publicly perform, sublicense, and distribute the Work and such Derivative Works in Source or Object form.
3. Grant of Patent License. Subject to the terms and conditions of this License, each Contributor hereby grants to You a perpetual, worldwide, non-exclusive, no-charge, royalty-free, irrevocable (except as stated in this section) patent license to make, have made, use, offer to sell, sell, import, and otherwise transfer the Work, where such license applies only to those patent claims licensable by

such Contributor that are necessarily infringed by their Contribution(s) alone or by combination of their Contribution(s) with the Work to which such Contribution(s) was submitted. If You institute patent litigation against any entity (including a cross-claim or counterclaim in a lawsuit) alleging that the Work or a Contribution incorporated within the Work constitutes direct or contributory patent infringement, then any patent licenses granted to You under this License for that Work shall terminate as of the date such litigation is filed.

4. Redistribution. You may reproduce and distribute copies of the Work or Derivative Works thereof in any medium, with or without modifications, and in Source or Object form, provided that You meet the following conditions:
  1. You must give any other recipients of the Work or Derivative Works a copy of this License; and
  2. You must cause any modified files to carry prominent notices stating that You changed the files; and
  3. You must retain, in the Source form of any Derivative Works that You distribute, all copyright, patent, trademark, and attribution notices from the Source form of the Work, excluding those notices that do not pertain to any part of the Derivative Works; and
  4. If the Work includes a "NOTICE" text file as part of its distribution, then any Derivative Works that You distribute must include a readable copy of the attribution notices contained within such NOTICE file, excluding those notices that do not pertain to any part of the Derivative Works, in at least one of the following places: within a NOTICE text file distributed as part of the Derivative Works; within the Source form or documentation, if provided along with the Derivative Works; or, within a display generated by the Derivative Works, if and wherever such third-party notices normally appear. The contents of the NOTICE file are for informational purposes only and do not modify the License. You may add Your own attribution notices within Derivative Works that You distribute, alongside or as an addendum to the NOTICE text from the Work, provided that such additional attribution notices cannot be construed as modifying the License.

You may add Your own copyright statement to Your modifications and may provide additional or different license terms and conditions for use, reproduction, or distribution of Your modifications, or for any such Derivative Works as a whole, provided Your use, reproduction, and distribution of the Work otherwise complies with the conditions stated in this License.

5. Submission of Contributions. Unless You explicitly state otherwise, any Contribution intentionally submitted for inclusion in the Work by You to the Licensor shall be under the terms and conditions of this License, without any additional terms or conditions. Notwithstanding the above, nothing herein shall supersede or modify the terms of any separate license agreement you may have executed with Licensor regarding such Contributions.
6. Trademarks. This License does not grant permission to use the trade names, trademarks, service marks, or product names of the Licensor, except as required for reasonable and customary use in describing the origin of the Work and reproducing the content of the NOTICE file.
7. Disclaimer of Warranty. Unless required by applicable law or agreed to in writing, Licensor provides the Work (and each Contributor provides its Contributions) on an "AS IS" BASIS, WITHOUT WARRANTIES OR CONDITIONS OF ANY KIND, either express or implied, including, without limitation, any warranties or conditions of TITLE, NON-INFRINGEMENT, MERCHANTABILITY, or FITNESS FOR A PARTICULAR PURPOSE. You are solely responsible for determining the appropriateness of using or redistributing the Work and assume any risks associated with Your exercise of permissions under this License.
8. Limitation of Liability. In no event and under no legal theory, whether in tort (including negligence), contract, or otherwise, unless required by applicable law (such as deliberate and grossly negligent

acts) or agreed to in writing, shall any Contributor be liable to You for damages, including any direct, indirect, special, incidental, or consequential damages of any character arising as a result of this License or out of the use or inability to use the Work (including but not limited to damages for loss of goodwill, work stoppage, computer failure or malfunction, or any and all other commercial damages or losses), even if such Contributor has been advised of the possibility of such damages.

9. Accepting Warranty or Additional Liability. While redistributing the Work or Derivative Works thereof, You may choose to offer, and charge a fee for, acceptance of support, warranty, indemnity, or other liability obligations and/or rights consistent with this License. However, in accepting such obligations, You may act only on Your own behalf and on Your sole responsibility, not on behalf of any other Contributor, and only if You agree to indemnify, defend, and hold each Contributor harmless for any liability incurred by, or claims asserted against, such Contributor by reason of your accepting any such warranty or additional liability.

END OF TERMS AND CONDITIONS

---- Part 1: CMU/UCD copyright notice: (BSD like) ----

Copyright 1989, 1991, 1992 by Carnegie Mellon University

Derivative Work - 1996, 1998-2000

Copyright 1996, 1998-2000 The Regents of the University of California

All Rights Reserved

Permission to use, copy, modify and distribute this software and its documentation for any purpose and without fee is hereby granted, provided that the above copyright notice appears in all copies and that both that copyright notice and this permission notice appear in supporting documentation, and that the name of CMU and The Regents of the University of California not be used in advertising or publicity pertaining to distribution of the software without specific written permission.

CMU AND THE REGENTS OF THE UNIVERSITY OF CALIFORNIA DISCLAIM ALL WARRANTIES WITH REGARD TO THIS SOFTWARE, INCLUDING ALL IMPLIED WARRANTIES OF MERCHANTABILITY AND FITNESS. IN NO EVENT SHALL CMU OR THE REGENTS OF THE UNIVERSITY OF CALIFORNIA BE LIABLE FOR ANY SPECIAL, INDIRECT OR CONSEQUENTIAL DAMAGES OR ANY DAMAGES WHATSOEVER RESULTING FROM THE LOSS OF USE, DATA OR PROFITS, WHETHER IN AN ACTION OF CONTRACT, NEGLIGENCE OR OTHER TORTIOUS ACTION, ARISING OUT OF OR IN CONNECTION WITH THE USE OR PERFORMANCE OF THIS SOFTWARE.

---- Part 2: Networks Associates Technology, Inc copyright notice (BSD) ----

Copyright (c) 2001-2003, Networks Associates Technology, Inc

All rights reserved.

Redistribution and use in source and binary forms, with or without modification, are permitted provided that the following conditions are met:

- \* Redistributions of source code must retain the above copyright notice, this list of conditions and the following disclaimer.
- \* Redistributions in binary form must reproduce the above copyright notice, this list of conditions and the following disclaimer in the documentation and/or other materials provided with the distribution.
- \* Neither the name of the Networks Associates Technology, Inc nor the names of its contributors may be used to endorse or promote products derived from this software without specific prior written permission.

THIS SOFTWARE IS PROVIDED BY THE COPYRIGHT HOLDERS AND CONTRIBUTORS ``AS IS" AND ANY EXPRESS OR IMPLIED WARRANTIES, INCLUDING, BUT NOT LIMITED TO, THE IMPLIED WARRANTIES OF MERCHANTABILITY AND FITNESS FOR A PARTICULAR PURPOSE ARE DISCLAIMED. IN NO EVENT SHALL THE COPYRIGHT HOLDERS OR CONTRIBUTORS BE LIABLE FOR ANY DIRECT, INDIRECT, INCIDENTAL, SPECIAL, EXEMPLARY, OR CONSEQUENTIAL DAMAGES (INCLUDING, BUT NOT LIMITED TO, PROCUREMENT OF SUBSTITUTE GOODS OR SERVICES; LOSS OF USE, DATA, OR PROFITS; OR BUSINESS INTERRUPTION) HOWEVER CAUSED AND ON ANY THEORY OF LIABILITY, WHETHER IN CONTRACT, STRICT LIABILITY, OR TORT (INCLUDING NEGLIGENCE OR OTHERWISE) ARISING IN ANY WAY OUT OF THE USE OF THIS SOFTWARE, EVEN IF ADVISED OF THE POSSIBILITY OF SUCH DAMAGE.

---- Part 3: Cambridge Broadband Ltd. copyright notice (BSD) ----

Portions of this code are copyright (c) 2001-2003, Cambridge Broadband Ltd.

All rights reserved.

Redistribution and use in source and binary forms, with or without modification, are permitted provided that the following conditions are met:

- \* Redistributions of source code must retain the above copyright notice, this list of conditions and the following disclaimer.
- \* Redistributions in binary form must reproduce the above copyright notice, this list of conditions and the following disclaimer in the documentation and/or other materials provided with the distribution.
- \* The name of Cambridge Broadband Ltd. may not be used to endorse or promote products derived from this software without specific prior written permission.

THIS SOFTWARE IS PROVIDED BY THE COPYRIGHT HOLDER ``AS IS" AND ANY EXPRESS OR IMPLIED WARRANTIES, INCLUDING, BUT NOT LIMITED TO, THE IMPLIED WARRANTIES OF MERCHANTABILITY AND FITNESS FOR A PARTICULAR PURPOSE ARE DISCLAIMED. IN NO EVENT SHALL THE COPYRIGHT HOLDER BE LIABLE FOR ANY DIRECT, INDIRECT, INCIDENTAL, SPECIAL, EXEMPLARY, OR CONSEQUENTIAL DAMAGES (INCLUDING, BUT NOT LIMITED TO, PROCUREMENT OF SUBSTITUTE GOODS OR SERVICES; LOSS OF USE, DATA, OR PROFITS; OR BUSINESS INTERRUPTION) HOWEVER CAUSED AND ON ANY THEORY OF LIABILITY, WHETHER IN CONTRACT, STRICT LIABILITY, OR TORT (INCLUDING NEGLIGENCE OR OTHERWISE) ARISING IN ANY WAY OUT OF THE USE OF THIS SOFTWARE, EVEN IF ADVISED OF THE POSSIBILITY OF SUCH DAMAGE.

---- Part 4: Sun Microsystems, Inc. copyright notice (BSD) ----

Copyright c 2003 Sun Microsystems, Inc., 4150 Network Circle, Santa Clara, California 95054, U.S.A. All rights reserved.

Use is subject to license terms below.

This distribution may include materials developed by third parties.

Sun, Sun Microsystems, the Sun logo and Solaris are trademarks or registered trademarks of Sun Microsystems, Inc. in the U.S. and other countries.

Redistribution and use in source and binary forms, with or without modification, are permitted provided that the following conditions are met:



\* Redistributions of source code must retain the above copyright notice, this list of conditions and the following disclaimer.

\* Redistributions in binary form must reproduce the above copyright notice, this list of conditions and the following disclaimer in the documentation and/or other materials provided with the distribution.

\* Neither the name of the Sun Microsystems, Inc. nor the names of its contributors may be used to endorse or promote products derived from this software without specific prior written permission.

THIS SOFTWARE IS PROVIDED BY THE COPYRIGHT HOLDERS AND CONTRIBUTORS ``AS IS" AND ANY EXPRESS OR IMPLIED WARRANTIES, INCLUDING, BUT NOT LIMITED TO, THE IMPLIED WARRANTIES OF MERCHANTABILITY AND FITNESS FOR A PARTICULAR PURPOSE ARE DISCLAIMED. IN NO EVENT SHALL THE COPYRIGHT HOLDERS OR CONTRIBUTORS BE LIABLE FOR ANY DIRECT, INDIRECT, INCIDENTAL, SPECIAL, EXEMPLARY, OR CONSEQUENTIAL DAMAGES (INCLUDING, BUT NOT LIMITED TO, PROCUREMENT OF SUBSTITUTE GOODS OR SERVICES; LOSS OF USE, DATA, OR PROFITS; OR BUSINESS INTERRUPTION) HOWEVER CAUSED AND ON ANY THEORY OF LIABILITY, WHETHER IN CONTRACT, STRICT LIABILITY, OR TORT (INCLUDING NEGLIGENCE OR OTHERWISE) ARISING IN ANY WAY OUT OF THE USE OF THIS SOFTWARE, EVEN IF ADVISED OF THE POSSIBILITY OF SUCH DAMAGE.

---- Part 5: Sparta, Inc copyright notice (BSD) ----

Copyright (c) 2003-2012, Sparta, Inc

All rights reserved.

Redistribution and use in source and binary forms, with or without modification, are permitted provided that the following conditions are met:

\* Redistributions of source code must retain the above copyright notice, this list of conditions and the following disclaimer.

\* Redistributions in binary form must reproduce the above copyright notice, this list of conditions and the following disclaimer in the documentation and/or other materials provided with the distribution.

\* Neither the name of Sparta, Inc nor the names of its contributors may be used to endorse or promote products derived from this software without specific prior written permission.

THIS SOFTWARE IS PROVIDED BY THE COPYRIGHT HOLDERS AND CONTRIBUTORS ``AS IS" AND ANY EXPRESS OR IMPLIED WARRANTIES, INCLUDING, BUT NOT LIMITED TO, THE IMPLIED WARRANTIES OF MERCHANTABILITY AND FITNESS FOR A PARTICULAR PURPOSE ARE DISCLAIMED. IN NO EVENT SHALL THE COPYRIGHT HOLDERS OR CONTRIBUTORS BE LIABLE FOR ANY DIRECT, INDIRECT, INCIDENTAL, SPECIAL, EXEMPLARY, OR CONSEQUENTIAL DAMAGES (INCLUDING, BUT NOT LIMITED TO, PROCUREMENT OF SUBSTITUTE GOODS OR SERVICES; LOSS OF USE, DATA, OR PROFITS; OR BUSINESS INTERRUPTION) HOWEVER CAUSED AND ON ANY THEORY OF LIABILITY, WHETHER IN CONTRACT, STRICT LIABILITY, OR TORT (INCLUDING NEGLIGENCE OR OTHERWISE) ARISING IN ANY WAY OUT OF THE USE OF THIS SOFTWARE, EVEN IF ADVISED OF THE POSSIBILITY OF SUCH DAMAGE.

---- Part 6: Cisco/BUPTNIC copyright notice (BSD) ----

Copyright (c) 2004, Cisco, Inc and Information Network Center of Beijing University of Posts and Telecommunications.

All rights reserved.

Redistribution and use in source and binary forms, with or without modification, are permitted provided that the following conditions are met:

- \* Redistributions of source code must retain the above copyright notice, this list of conditions and the following disclaimer.
- \* Redistributions in binary form must reproduce the above copyright notice, this list of conditions and the following disclaimer in the documentation and/or other materials provided with the distribution.
- \* Neither the name of Cisco, Inc, Beijing University of Posts and Telecommunications, nor the names of their contributors may be used to endorse or promote products derived from this software without specific prior written permission.

THIS SOFTWARE IS PROVIDED BY THE COPYRIGHT HOLDERS AND CONTRIBUTORS "AS IS" AND ANY EXPRESS OR IMPLIED WARRANTIES, INCLUDING, BUT NOT LIMITED TO, THE IMPLIED WARRANTIES OF MERCHANTABILITY AND FITNESS FOR A PARTICULAR PURPOSE ARE DISCLAIMED. IN NO EVENT SHALL THE COPYRIGHT HOLDERS OR CONTRIBUTORS BE LIABLE FOR ANY DIRECT, INDIRECT, INCIDENTAL, SPECIAL, EXEMPLARY, OR CONSEQUENTIAL DAMAGES (INCLUDING, BUT NOT LIMITED TO, PROCUREMENT OF SUBSTITUTE GOODS OR SERVICES; LOSS OF USE, DATA, OR PROFITS; OR BUSINESS INTERRUPTION) HOWEVER CAUSED AND ON ANY THEORY OF LIABILITY, WHETHER IN CONTRACT, STRICT LIABILITY, OR TORT (INCLUDING NEGLIGENCE OR OTHERWISE) ARISING IN ANY WAY OUT OF THE USE OF THIS SOFTWARE, EVEN IF ADVISED OF THE POSSIBILITY OF SUCH DAMAGE.

---- Part 7: Fabasoft R&D Software GmbH & Co KG copyright notice (BSD) ----

Copyright (c) Fabasoft R&D Software GmbH & Co KG, 2003 [oss@fabasoft.com](mailto:oss@fabasoft.com)

Author: Bernhard Penz <[bernhard.penz@fabasoft.com](mailto:bernhard.penz@fabasoft.com)>

Redistribution and use in source and binary forms, with or without modification, are permitted provided that the following conditions are met:

- \* Redistributions of source code must retain the above copyright notice, this list of conditions and the following disclaimer.
- \* Redistributions in binary form must reproduce the above copyright notice, this list of conditions and the following disclaimer in the documentation and/or other materials provided with the distribution.
- \* The name of Fabasoft R&D Software GmbH & Co KG or any of its subsidiaries, brand or product names may not be used to endorse or promote products derived from this software without specific prior written permission.

THIS SOFTWARE IS PROVIDED BY THE COPYRIGHT HOLDER "AS IS" AND ANY EXPRESS OR IMPLIED WARRANTIES, INCLUDING, BUT NOT LIMITED TO, THE IMPLIED WARRANTIES OF MERCHANTABILITY AND FITNESS FOR A PARTICULAR PURPOSE ARE DISCLAIMED. IN NO EVENT SHALL THE COPYRIGHT HOLDER BE LIABLE FOR ANY DIRECT, INDIRECT, INCIDENTAL, SPECIAL, EXEMPLARY, OR CONSEQUENTIAL DAMAGES (INCLUDING, BUT NOT LIMITED TO, PROCUREMENT OF SUBSTITUTE GOODS OR SERVICES; LOSS OF USE, DATA, OR PROFITS; OR BUSINESS INTERRUPTION) HOWEVER CAUSED AND ON ANY THEORY OF LIABILITY, WHETHER IN CONTRACT, STRICT LIABILITY, OR TORT (INCLUDING NEGLIGENCE OR OTHERWISE) ARISING IN ANY WAY OUT OF THE USE OF THIS SOFTWARE, EVEN IF ADVISED OF THE POSSIBILITY OF SUCH DAMAGE.

---- Part 8: Apple Inc. copyright notice (BSD) ----

Copyright (c) 2007 Apple Inc. All rights reserved.

Redistribution and use in source and binary forms, with or without modification, are permitted provided that the following conditions are met:

1. Redistributions of source code must retain the above copyright notice, this list of conditions and the following disclaimer.
2. Redistributions in binary form must reproduce the above copyright notice, this list of conditions and the following disclaimer in the documentation and/or other materials provided with the distribution.
3. Neither the name of Apple Inc. ("Apple") nor the names of its contributors may be used to endorse or promote products derived from this software without specific prior written permission.

THIS SOFTWARE IS PROVIDED BY APPLE AND ITS CONTRIBUTORS "AS IS" AND ANY EXPRESS OR IMPLIED WARRANTIES, INCLUDING, BUT NOT LIMITED TO, THE IMPLIED WARRANTIES OF MERCHANTABILITY AND FITNESS FOR A PARTICULAR PURPOSE ARE DISCLAIMED. IN NO EVENT SHALL APPLE OR ITS CONTRIBUTORS BE LIABLE FOR ANY DIRECT, INDIRECT, INCIDENTAL, SPECIAL, EXEMPLARY, OR CONSEQUENTIAL DAMAGES (INCLUDING, BUT NOT LIMITED TO, PROCUREMENT OF SUBSTITUTE GOODS OR SERVICES; LOSS OF USE, DATA, OR PROFITS; OR BUSINESS INTERRUPTION) HOWEVER CAUSED AND ON ANY THEORY OF LIABILITY, WHETHER IN CONTRACT, STRICT LIABILITY, OR TORT (INCLUDING NEGLIGENCE OR OTHERWISE) ARISING IN ANY WAY OUT OF THE USE OF THIS SOFTWARE, EVEN IF ADVISED OF THE POSSIBILITY OF SUCH DAMAGE.

---- Part 9: ScienceLogic, LLC copyright notice (BSD) ----

Copyright (c) 2009, ScienceLogic, LLC

All rights reserved.

Redistribution and use in source and binary forms, with or without modification, are permitted provided that the following conditions are met:

- \* Redistributions of source code must retain the above copyright notice, this list of conditions and the following disclaimer.
- \* Redistributions in binary form must reproduce the above copyright notice, this list of conditions and the following disclaimer in the documentation and/or other materials provided with the distribution.
- \* Neither the name of ScienceLogic, LLC nor the names of its contributors may be used to endorse or promote products derived from this software without specific prior written permission.

THIS SOFTWARE IS PROVIDED BY THE COPYRIGHT HOLDERS AND CONTRIBUTORS "AS IS" AND ANY EXPRESS OR IMPLIED WARRANTIES, INCLUDING, BUT NOT LIMITED TO, THE IMPLIED WARRANTIES OF MERCHANTABILITY AND FITNESS FOR A PARTICULAR PURPOSE ARE DISCLAIMED. IN NO EVENT SHALL THE COPYRIGHT HOLDERS OR CONTRIBUTORS BE LIABLE FOR ANY DIRECT, INDIRECT, INCIDENTAL, SPECIAL, EXEMPLARY, OR CONSEQUENTIAL DAMAGES (INCLUDING, BUT NOT LIMITED TO, PROCUREMENT OF SUBSTITUTE GOODS OR SERVICES; LOSS OF USE, DATA, OR PROFITS; OR BUSINESS INTERRUPTION) HOWEVER CAUSED AND ON ANY THEORY OF LIABILITY, WHETHER IN CONTRACT, STRICT LIABILITY, OR TORT (INCLUDING NEGLIGENCE OR OTHERWISE) ARISING IN ANY WAY OUT OF THE USE OF THIS SOFTWARE, EVEN IF ADVISED OF THE POSSIBILITY OF SUCH DAMAGE.

LEADTOOLS

Copyright (C) 1991-2009 LEAD Technologies, Inc.

CMap Resources

---

Copyright 1990-2009 Adobe Systems Incorporated.  
All rights reserved.

Copyright 1990-2010 Adobe Systems Incorporated.  
All rights reserved.

Redistribution and use in source and binary forms, with or without modification, are permitted provided that the following conditions are met:

Redistributions of source code must retain the above copyright notice, this list of conditions and the following disclaimer.

Redistributions in binary form must reproduce the above copyright notice, this list of conditions and the following disclaimer in the documentation and/or other materials provided with the distribution.

Neither the name of Adobe Systems Incorporated nor the names of its contributors may be used to endorse or promote products derived from this software without specific prior written permission.

THIS SOFTWARE IS PROVIDED BY THE COPYRIGHT HOLDERS AND CONTRIBUTORS "AS IS" AND ANY EXPRESS OR IMPLIED WARRANTIES, INCLUDING, BUT NOT LIMITED TO, THE IMPLIED WARRANTIES OF MERCHANTABILITY AND FITNESS FOR A PARTICULAR PURPOSE ARE DISCLAIMED. IN NO EVENT SHALL THE COPYRIGHT HOLDER OR CONTRIBUTORS BE LIABLE FOR ANY DIRECT, INDIRECT, INCIDENTAL, SPECIAL, EXEMPLARY, OR CONSEQUENTIAL DAMAGES (INCLUDING, BUT NOT LIMITED TO, PROCUREMENT OF SUBSTITUTE GOODS OR SERVICES; LOSS OF USE, DATA, OR PROFITS; OR BUSINESS INTERRUPTION) HOWEVER CAUSED AND ON ANY THEORY OF LIABILITY, WHETHER IN CONTRACT, STRICT LIABILITY, OR TORT (INCLUDING NEGLIGENCE OR OTHERWISE) ARISING IN ANY WAY OUT OF THE USE OF THIS SOFTWARE, EVEN IF ADVISED OF THE POSSIBILITY OF SUCH DAMAGE.

---

MIT License

Copyright (c) 1998, 1999, 2000 Thai Open Source Software Center Ltd

Permission is hereby granted, free of charge, to any person obtaining a copy of this software and associated documentation files (the "Software"), to deal in the Software without restriction, including without limitation the rights to use, copy, modify, merge, publish, distribute, sublicense, and/or sell copies of the Software, and to permit persons to whom the Software is furnished to do so, subject to the following conditions:

The above copyright notice and this permission notice shall be included in all copies or substantial portions of the Software.

THE SOFTWARE IS PROVIDED "AS IS", WITHOUT WARRANTY OF ANY KIND, EXPRESS OR IMPLIED, INCLUDING BUT NOT LIMITED TO THE WARRANTIES OF MERCHANTABILITY, FITNESS FOR A PARTICULAR PURPOSE AND NONINFRINGEMENT. IN NO EVENT SHALL THE AUTHORS OR COPYRIGHT HOLDERS BE LIABLE FOR ANY CLAIM, DAMAGES OR OTHER LIABILITY, WHETHER IN AN ACTION OF CONTRACT, TORT OR OTHERWISE, ARISING FROM, OUT OF OR IN CONNECTION WITH THE SOFTWARE OR THE USE OR OTHER DEALINGS IN THE SOFTWARE.

Written by Joel Sherrill <joel@OARcorp.com>.

COPYRIGHT (c) 1989-2000.

On-Line Applications Research Corporation (OAR).

Permission to use, copy, modify, and distribute this software for any purpose without fee is hereby granted, provided that this entire notice is included in all copies of any software which is or includes a copy or modification of this software.

THIS SOFTWARE IS BEING PROVIDED "AS IS", WITHOUT ANY EXPRESS OR IMPLIED WARRANTY. IN PARTICULAR, THE AUTHOR MAKES NO REPRESENTATION OR WARRANTY OF ANY KIND CONCERNING THE MERCHANTABILITY OF THIS SOFTWARE OR ITS FITNESS FOR ANY PARTICULAR PURPOSE.

(1) Red Hat Incorporated

Copyright (c) 1994-2009 Red Hat, Inc. All rights reserved.

This copyrighted material is made available to anyone wishing to use, modify, copy, or redistribute it subject to the terms and conditions of the BSD License. This program is distributed in the hope that it will be useful, but WITHOUT ANY WARRANTY expressed or implied, including the implied warranties of MERCHANTABILITY or FITNESS FOR A PARTICULAR PURPOSE. A copy of this license is available at <http://www.opensource.org/licenses>. Any Red Hat trademarks that are incorporated in the source code or documentation are not subject to the BSD License and may only be used or replicated with the express permission of Red Hat, Inc.

(2) University of California, Berkeley

Copyright (c) 1981-2000 The Regents of the University of California.

All rights reserved.

Redistribution and use in source and binary forms, with or without modification, are permitted provided that the following conditions are met:

- \* Redistributions of source code must retain the above copyright notice, this list of conditions and the following disclaimer.
- \* Redistributions in binary form must reproduce the above copyright notice, this list of conditions and the following disclaimer in the documentation and/or other materials provided with the distribution.
- \* Neither the name of the University nor the names of its contributors may be used to endorse or promote products derived from this software without specific prior written permission.

THIS SOFTWARE IS PROVIDED BY THE COPYRIGHT HOLDERS AND CONTRIBUTORS "AS IS" AND ANY EXPRESS OR IMPLIED WARRANTIES, INCLUDING, BUT NOT LIMITED TO, THE IMPLIED WARRANTIES OF MERCHANTABILITY AND FITNESS FOR A PARTICULAR PURPOSE ARE

DISCLAIMED. IN NO EVENT SHALL THE COPYRIGHT OWNER OR CONTRIBUTORS BE LIABLE FOR ANY DIRECT, INDIRECT, INCIDENTAL, SPECIAL, EXEMPLARY, OR CONSEQUENTIAL DAMAGES (INCLUDING, BUT NOT LIMITED TO, PROCUREMENT OF SUBSTITUTE GOODS OR SERVICES; LOSS OF USE, DATA, OR PROFITS; OR BUSINESS INTERRUPTION) HOWEVER CAUSED AND ON ANY THEORY OF LIABILITY, WHETHER IN CONTRACT, STRICT LIABILITY, OR TORT (INCLUDING NEGLIGENCE OR OTHERWISE) ARISING IN ANY WAY OUT OF THE USE OF THIS SOFTWARE, EVEN IF ADVISED OF THE POSSIBILITY OF SUCH DAMAGE.

以下仅适用于支持 Wi-Fi 的产品。

(c) 2009-2013 by Jeff Mott. All rights reserved.

Redistribution and use in source and binary forms, with or without modification, are permitted provided that the following conditions are met:

- \* Redistributions of source code must retain the above copyright notice, this list of conditions, and the following disclaimer.
- \* Redistributions in binary form must reproduce the above copyright notice, this list of conditions, and the following disclaimer in the documentation or other materials provided with the distribution.
- \* Neither the name CryptoJS nor the names of its contributors may be used to endorse or promote products derived from this software without specific prior written permission.

THIS SOFTWARE IS PROVIDED BY THE COPYRIGHT HOLDERS AND CONTRIBUTORS "AS IS," AND ANY EXPRESS OR IMPLIED WARRANTIES, INCLUDING, BUT NOT LIMITED TO, THE IMPLIED WARRANTIES OF MERCHANTABILITY AND FITNESS FOR A PARTICULAR PURPOSE, ARE DISCLAIMED. IN NO EVENT SHALL THE COPYRIGHT HOLDER OR CONTRIBUTORS BE LIABLE FOR ANY DIRECT, INDIRECT, INCIDENTAL, SPECIAL, EXEMPLARY, OR CONSEQUENTIAL DAMAGES (INCLUDING, BUT NOT LIMITED TO, PROCUREMENT OF SUBSTITUTE GOODS OR SERVICES; LOSS OF USE, DATA, OR PROFITS; OR BUSINESS INTERRUPTION) HOWEVER CAUSED AND ON ANY THEORY OF LIABILITY, WHETHER IN CONTRACT, STRICT LIABILITY, OR TORT (INCLUDING NEGLIGENCE OR OTHERWISE) ARISING IN ANY WAY OUT OF THE USE OF THIS SOFTWARE, EVEN IF ADVISED OF THE POSSIBILITY OF SUCH DAMAGE.

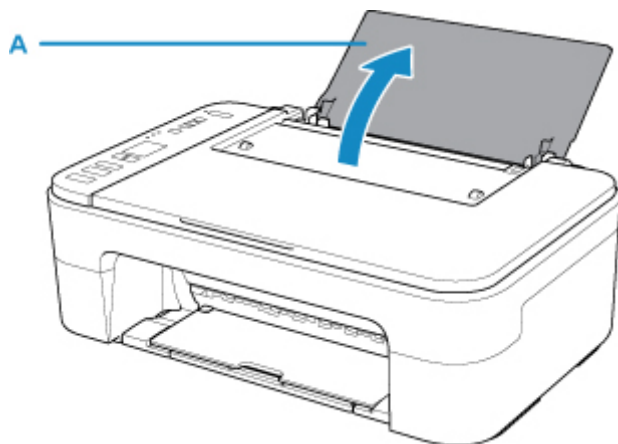
## 基本操作

- ▶ 从计算机打印照片
- ▶ 从智能手机/平板电脑打印照片
- ▶ 复印

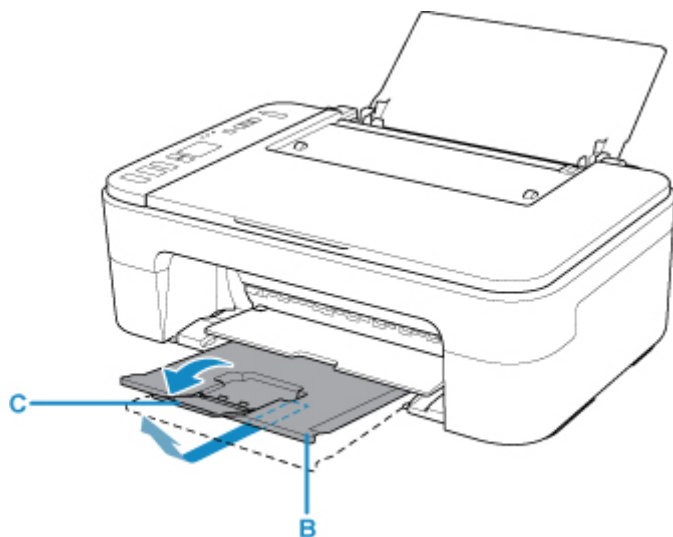
## 从计算机打印照片

本节描述如何使用 My Image Garden 打印照片。

1. 打开靠纸架(A)。

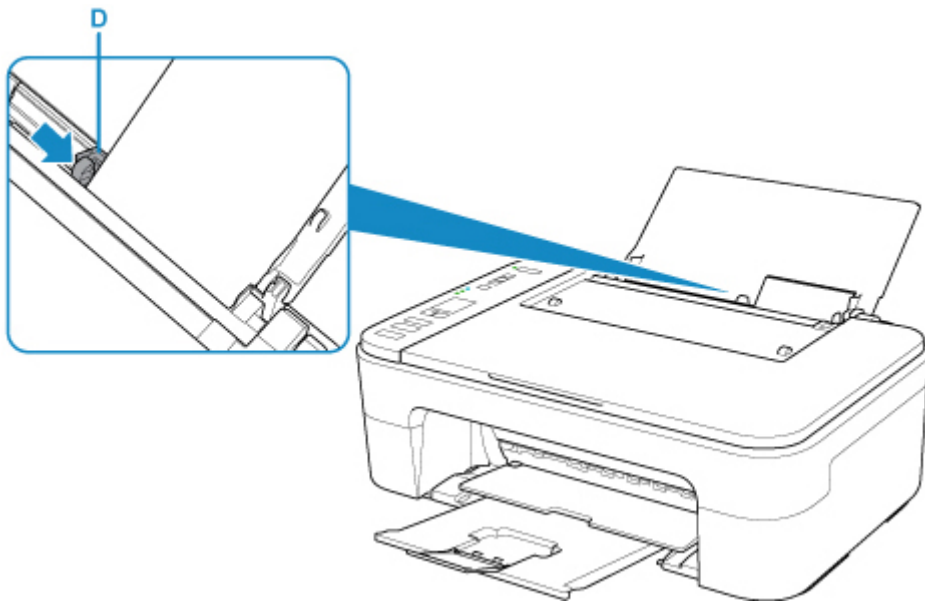


2. 拉出出纸托盘(B)和出纸托盘扩展架(C)。

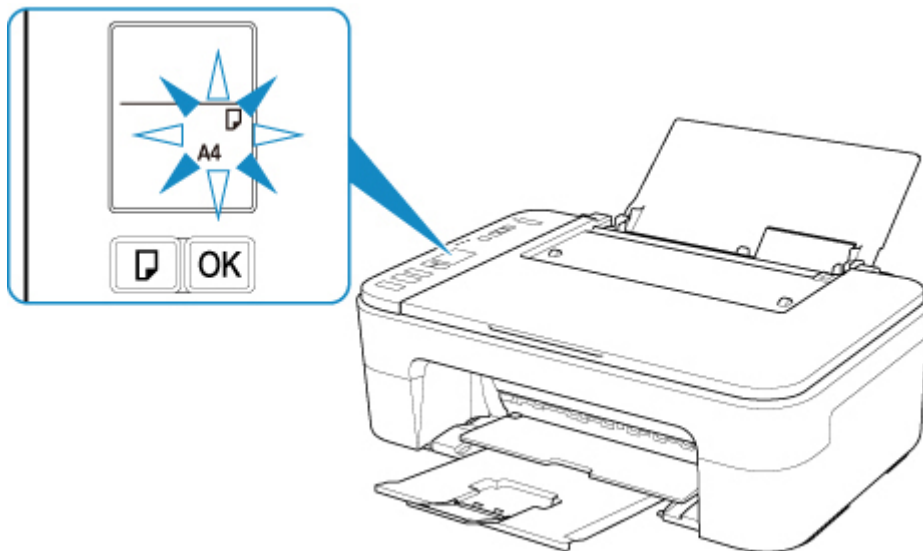


3. 以打印面朝向自己垂直装入纸张。
4. 调整纸张导片(D)与纸张左侧对齐。

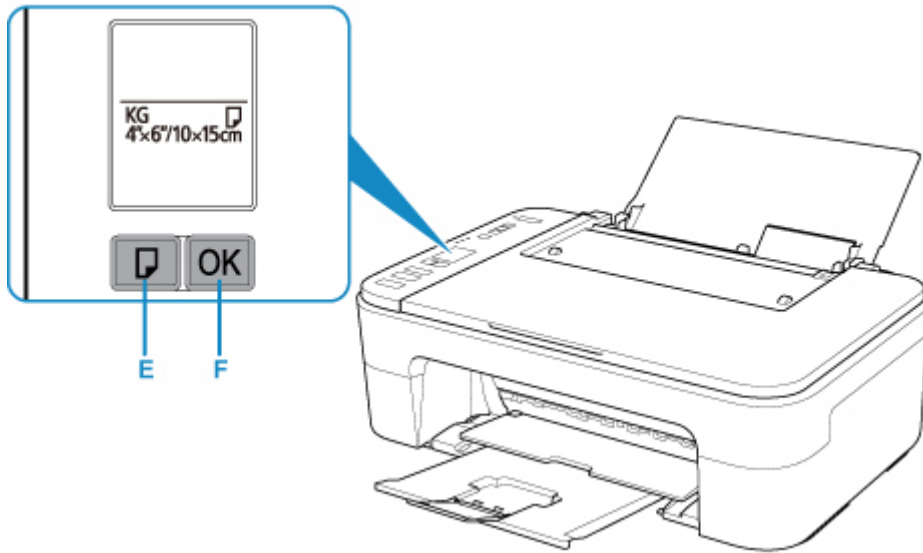




在后端托盘中装入纸张后，纸张状态和当前纸张尺寸会在 LCD 屏幕上闪烁。



5. 按**纸张选择**按钮(E)根据后端托盘中装入的纸张选择纸张尺寸，然后按 **OK** 按钮(F)。



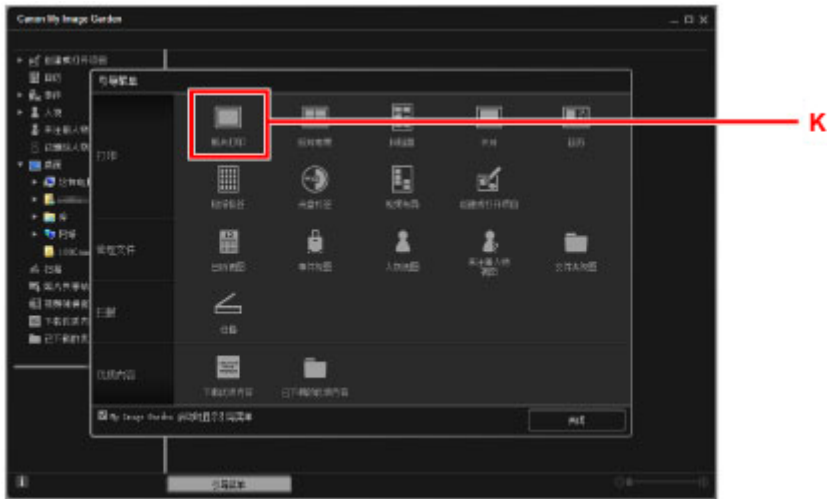
6. 在 Quick Menu 中单击 My Image Garden 图标(G)。  
显示引导菜单屏幕。



注 释

- 根据地区、注册的打印机/扫描仪和安装的应用程序的不同，显示的图标数目和类型会有所不同。

7. 单击照片打印图标(H)。



8. 单击包含要打印照片的文件夹(I)。

9. 单击要打印的照片(J)。

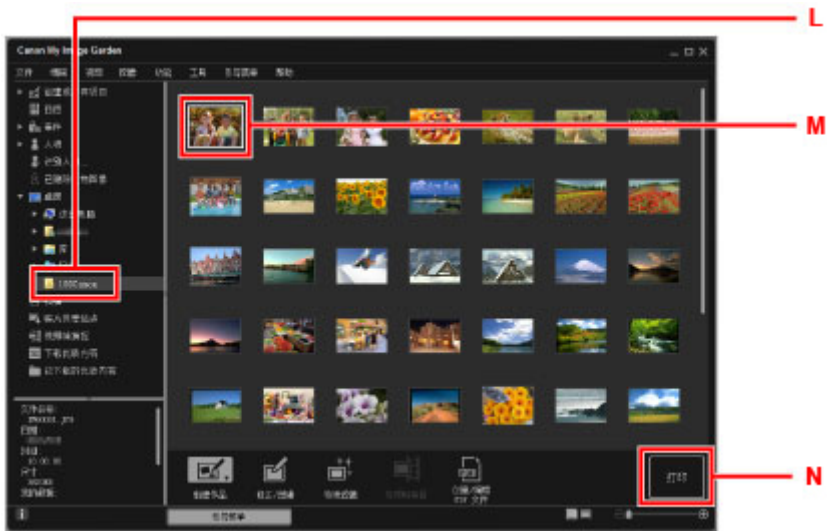
**对于 Windows:**

要一次选择两个或更多的照片，在按下 Ctrl 键时单击照片。

**对于 Mac OS:**

要一次选择两个或更多的照片，在按下命令键时单击照片。

10. 单击打印(K)。



11. 指定份数等。

**对于 Windows:**

指定打印份数、打印机名称、介质类型等。

**对于 Mac OS:**

指定份数。

## 12. 开始打印。

**对于 Windows:**

单击打印。

**对于 Mac OS:**

单击打印。

打印对话框打开后，指定打印机名称、纸张尺寸等，然后单击**打印**。

### ►► 注释

- My Image Garden 可以让您在计算机上以多种方式使用图像，如使用数码相机拍摄的照片。
  - 对于 Windows:
    - My Image Garden 指南
  - 对于 Mac OS:
    - My Image Garden 指南
- 如果 Mac OS 上未显示打印机，My Image Garden 中的 AirPrint 设置可能不正确。有关如何正确设置的详细资料，请参阅页面下方有关已启用 AirPrint 的打印机的标题。
  - 根据打印机状态进行设置

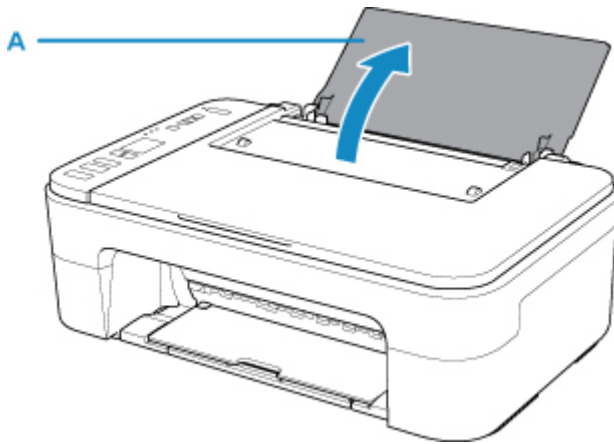
## 从智能手机/平板电脑打印照片

本节描述如何使用 Canon PRINT Inkjet/SELPHY 打印照片。

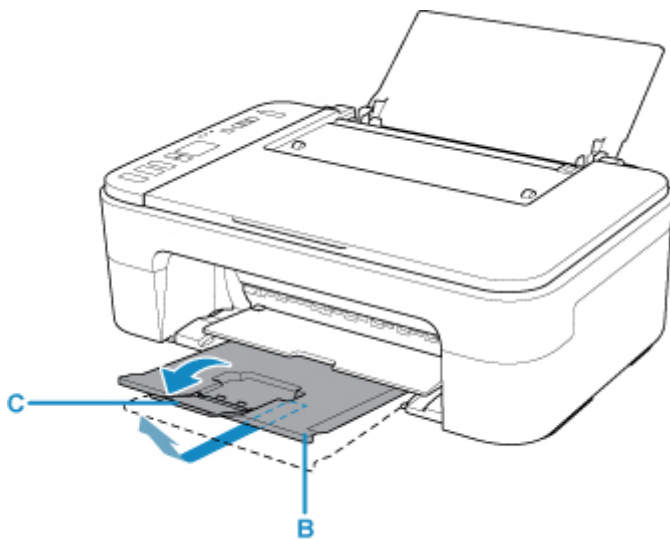
有关如何下载 Canon PRINT Inkjet/SELPHY 的详细资料，请参见以下内容。

■ 使用 Canon PRINT Inkjet/SELPHY 从智能手机或平板电脑轻松进行打印

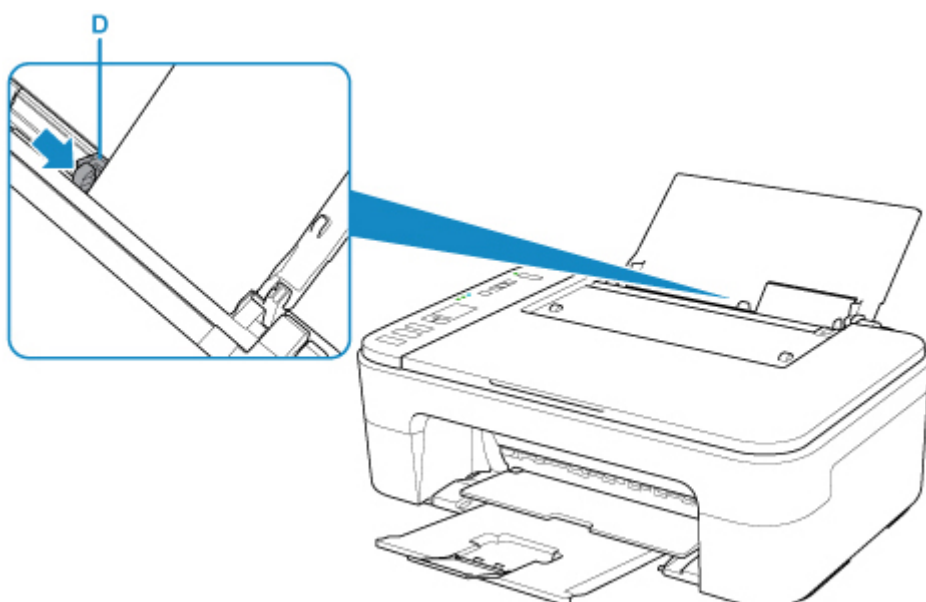
1. 打开靠纸架(A)。



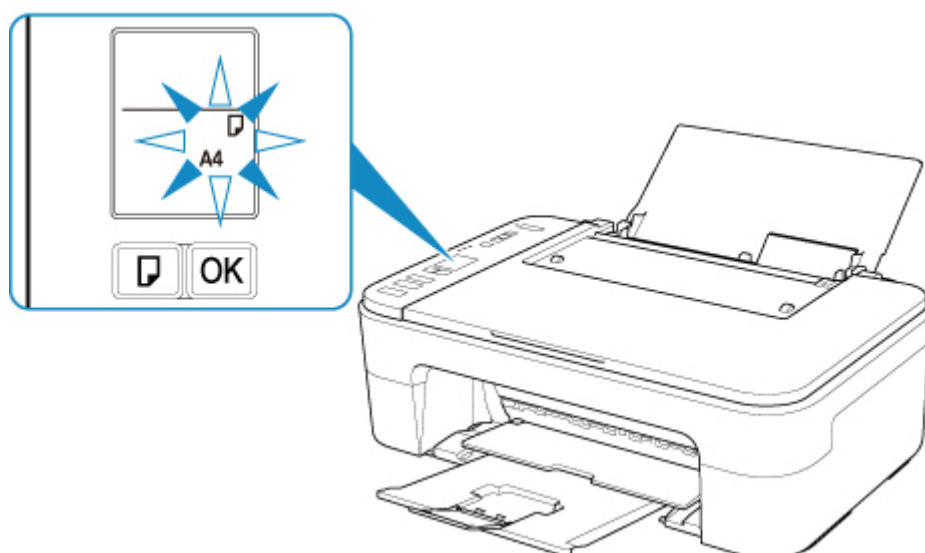
2. 拉出出纸托盘(B)和出纸托盘扩展架(C)。



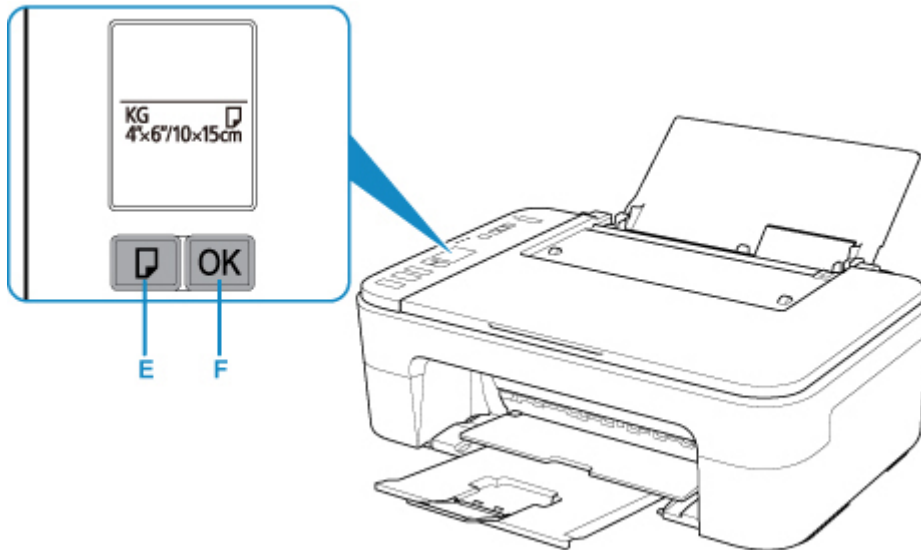
3. 以打印面朝向自己垂直装入纸张。
4. 调整纸张导片(D)与纸张左侧对齐。



在后端托盘中装入纸张后，纸张状态和当前纸张尺寸会在 LCD 屏幕上闪烁。



5. 按**纸张选择**按钮(E)根据后端托盘中装入的纸张选择纸张尺寸，然后按 **OK** 按钮(F)。



6. 从智能手机/平板电脑启动  (Canon PRINT Inkjet/SELPHY)。

7. 在 Canon PRINT Inkjet/SELPHY 上选择**照片打印**。

显示保存在智能手机/平板电脑上的照片列表。

8. 选择照片。

您也可以一次选择多张照片。

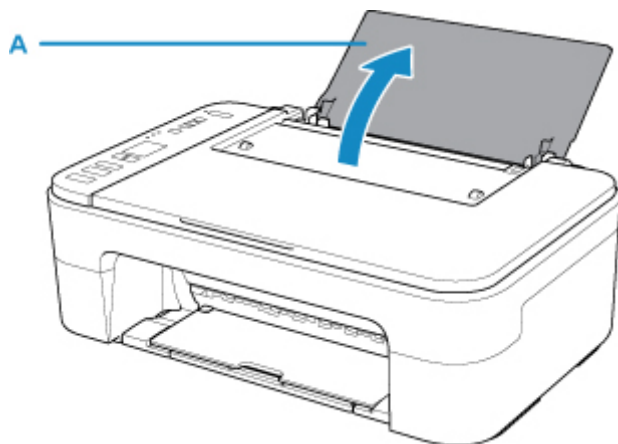
9. 指定份数、纸张尺寸等。

10. 选择**打印**。

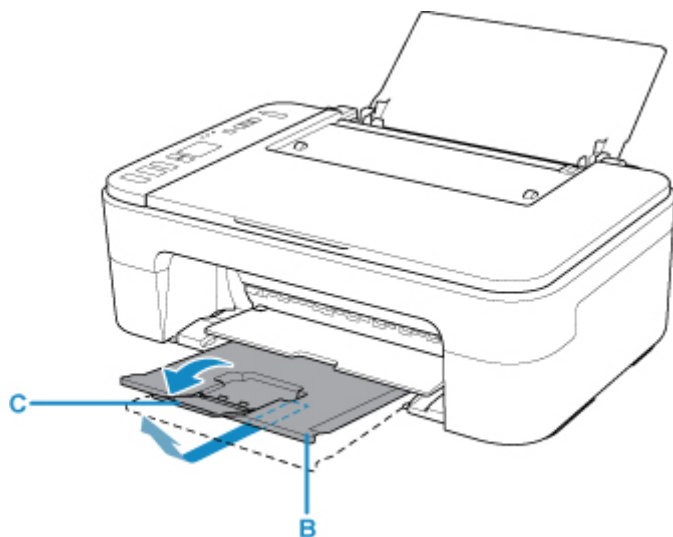
## 复印

本节描述如何放置原稿并将其复印到普通纸。

1. 打开靠纸架(A)。



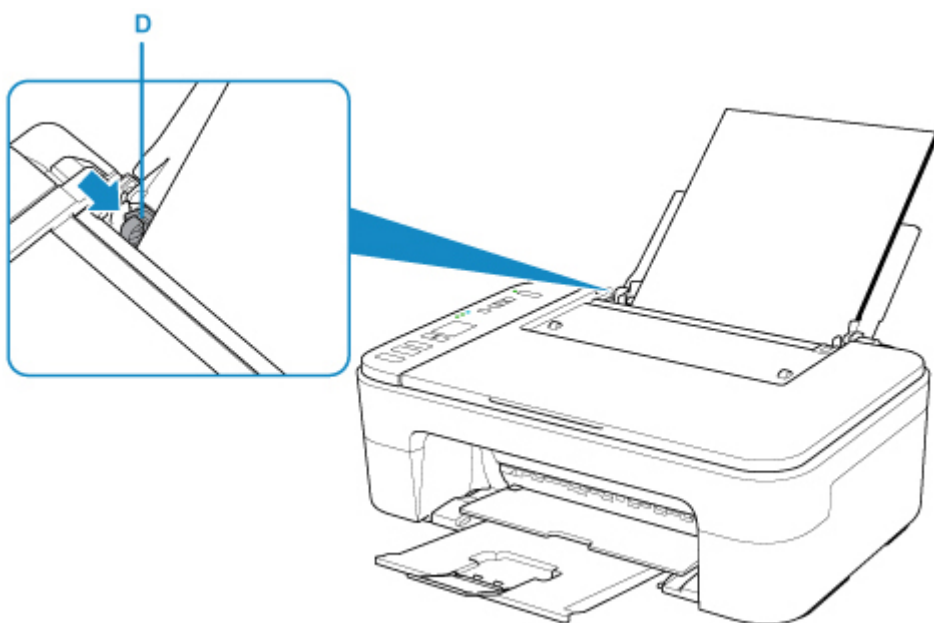
2. 拉出出纸托盘(B)和出纸托盘扩展架(C)。



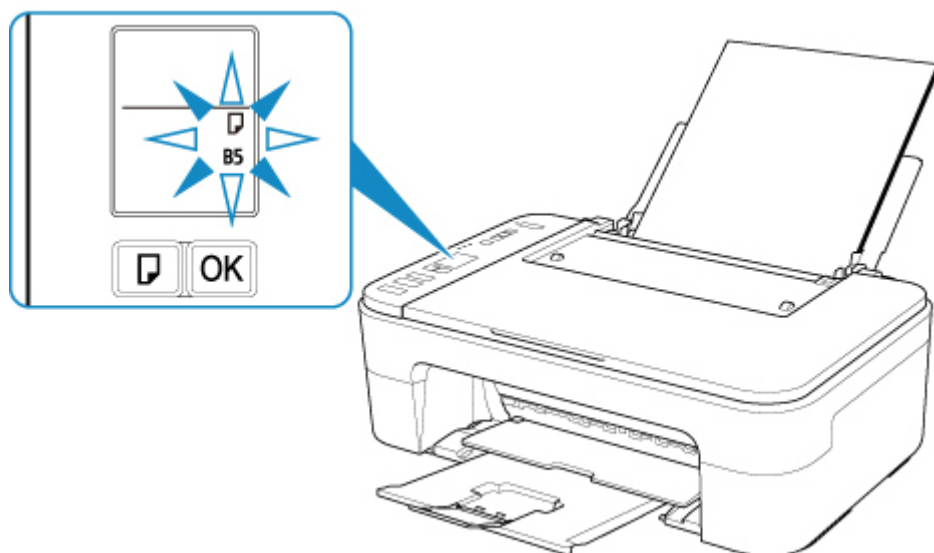
3. 以打印面朝向自己垂直装入纸张。

4. 调整纸张导片(D)与纸张左侧对齐。

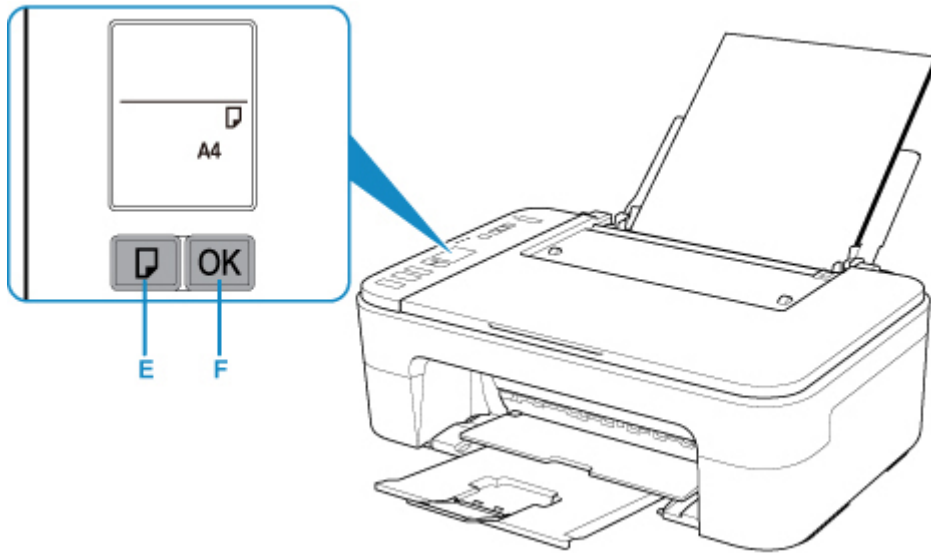




在后端托盘中装入纸张后，纸张状态和当前纸张尺寸会在 LCD 屏幕上闪烁。



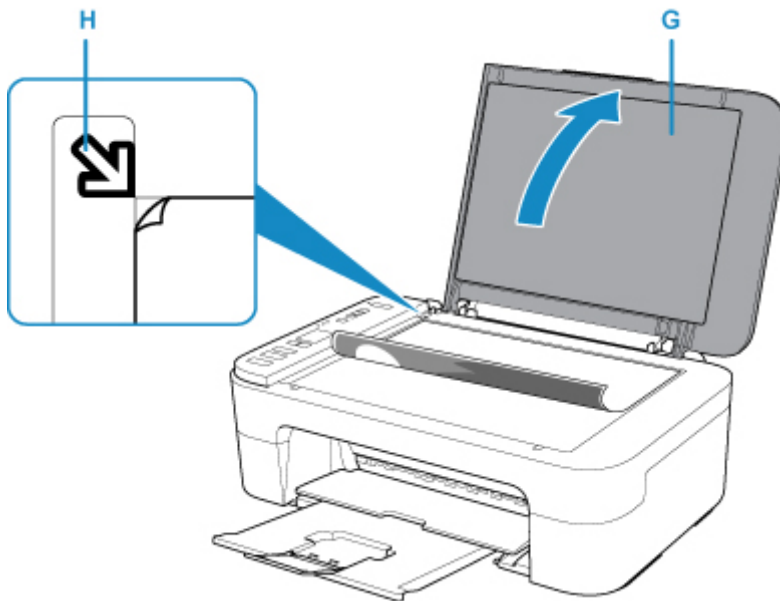
5. 按**纸张选择**按钮(E)根据后端托盘中装入的纸张选择纸张尺寸，然后按 **OK** 按钮(F)。



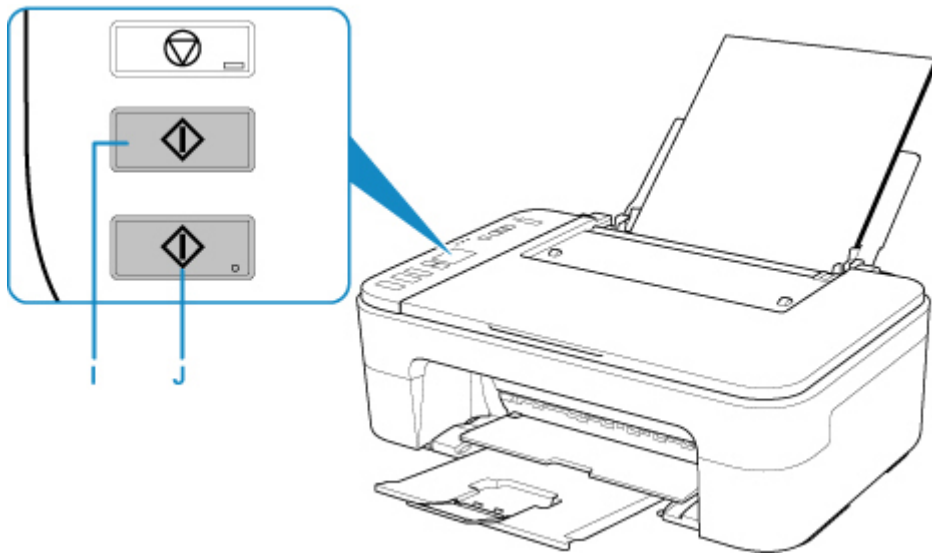
6. 打开文档盖板(G)。

7. 将要复印的一面向下放置原稿并使其与对齐标记(H)对齐。

8. 关闭文档盖板。



9. 按黑白按钮(I)或彩色按钮(J)。



### 重要事项

- 复印完成前，请勿打开文档盖板。

### 注释

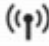
- 打印机配备了許多其他便捷的复印功能。

#### ■ [复印](#)


# 网络

## 可用的连接方法

打印机可提供以下连接方法。

- 无线连接   
使用无线路由器连接打印机和设备(如计算机/智能手机/平板电脑)。  
如果已有无线路由器，建议将其用于无线连接。



- 根据无线路由器类型的不同，连接方法会有所不同。
  - 可以在打印机上更改网络设置，如 SSID 和安全协议。
  - 设备和无线路由器之间的连接完成且  (Wi-Fi 图标)显示在设备屏幕上时，可以使用无线路由器将设备连接到打印机。
- 无线直连  
不使用无线路由器连接打印机和设备(如计算机/智能手机/平板电脑)。



- 通过无线直连使用打印机时，无法从打印机使用互联网连接。在这种情况下，用于打印机的 Web 服务无法使用。
- 设备通过无线路由器连接到互联网时，如果将其连接到处于无线直连的打印机，设备和无线路由器之间的连接将被禁用。在这种情况下，根据设备的不同，设备连接可能会自动切换至移动数据连接。使用移动数据连接进行互联网连接会产生传输费用。
- 在无线直连中，最多可以同时连接五台设备。如果在已连接五台设备时尝试连接第六台设备，将出现错误。如果出现错误，断开不使用的设备，然后重新配置设置。
- 会自动指定 SSID 和安全协议等网络设置。

## 注釋

- 可以使用 USB 电缆线(USB 连接)连接打印机和计算机。准备 USB 电缆线。有关详细资料，请参见 [通过 LAN 连接到其他计算机/从 USB 更改为 LAN 连接](#)。

## 网络连接设置

对打印机和计算机/智能手机/平板电脑执行连接设置。

有关设置步骤的更多信息，请单击此处。

## 更改网络设置

有关更改打印机和计算机/智能手机/平板电脑的连接设置，请参见以下内容。

- 要更改网络连接方法：
  - [更改无线 LAN 连接方法](#)
  - 更改连接模式

- 要将计算机/智能手机/平板电脑添加至打印机：
  - [通过 LAN 连接到其他计算机/从 USB 更改为 LAN 连接](#)
- 要暂时使用无线直连：
  - [通过无线直连进行打印/扫描](#)

## IJ Network Device Setup Utility

如果网络连接发生错误，IJ Network Device Setup Utility 检查或诊断打印机和计算机的设置并恢复它们的状态。选择下列任一链接下载 IJ Network Device Setup Utility。

■ 对于 Windows

■ 对于 Mac OS

- 执行/更改网络设置(Windows)

对于 Windows，可以使用 IJ Network Device Setup Utility 执行网络设置。

■ IJ Network Device Setup Utility(Windows)

- 诊断并修复网络设置(Windows/Mac OS)

可以使用 IJ Network Device Setup Utility 诊断或修复网络设置。

- 对于 Windows:

■ IJ Network Device Setup Utility(Windows)

- 对于 Mac OS:

■ IJ Network Device Setup Utility(Mac OS)

## 网络连接提示

有关通过网络连接使用打印机的提示，请参见以下部分。

■ [网络连接提示](#)

■ 使用 Web 浏览器更改打印机的设置

## 故障排除

有关网络连接故障排除，请参见[网络设置和常见问题](#)。

## 通知/限制

有关详细信息，请参见以下内容。

- 有关网络设置的限制:

■ [限制](#)

- 使用 Web 服务打印时的通知:

■ Web 服务打印的注意事项

## 限制

在一个设备(如智能手机)已连接打印机的情况下, 如果再连接另一设备到打印机, 请使用与已连接设备相同的连接方法。

如果使用不同的连接方法进行连接, 将禁用与正在使用的设备之间的连接。

### 通过无线路由器连接

- 确保设备已与无线路由器连接。有关检查这些设置的详细资料, 请参见无线路由器附带的手册或联系其制造商。  
对于未使用无线路由器连接到打印机的设备, 通过无线路由器重新连接该设备。
- 根据系统环境的不同, 网络设备的配置、路由器功能、安装步骤以及安全设置会有所不同。有关详细资料, 请参见网络设备手册或联系其制造商。
- 本打印机不支持 IEEE802.11ac、IEEE802.11a 或 IEEE802.11n(5GHz)。检查设备是否支持 IEEE802.11n(2.4GHz)、IEEE802.11g 或 IEEE802.11b。
- 如果设备设置为“仅 IEEE802.11n”模式, 则 WEP 或 TKIP 无法用作安全协议。将设备的安全协议更改为 WEP 和 TKIP 以外的协议或将设置更改为“仅 IEEE802.11n”以外的设置。  
更改设置时, 设备和无线路由器之间的连接将暂时禁用。设置未完成时, 请勿继续操作本指南的下一屏幕。
- 如在办公室环境下使用, 请咨询网络管理员。
- 请注意, 如果连接到一个没有安全保护的网路, 个人信息可能会泄露给第三方。

### 无线直连(AP 模式)

#### 重要事项

- 设备通过无线路由器连接到互联网时, 如果将其连接到处于无线直连模式的打印机, 设备和无线路由器之间的现有连接将被禁用。在这种情况下, 根据设备的不同, 设备连接可能会自动切换至移动数据连接。当使用移动数据连接连接到互联网时, 根据合同, 可能会产生费用。
  - 使用无线直连来连接设备和打印机时, 连接信息将保存到 Wi-Fi 设置。即使断开设备连接或将其连接到其他无线路由器后, 设备可能也会自动连接到打印机。
  - 为防止自动连接到处于无线直连模式的打印机, 请在使用打印机后更改连接模式, 或在设备的 Wi-Fi 设置中设置为不进行自动连接。  
有关检查或更改无线路由器设置的详细资料, 请参见路由器手册或联系其制造商。
- 如果使用无线直连来连接设备和打印机, 根据所用环境, 互联网连接可能不可用。在这种情况下, 用于打印机的 Web 服务无法使用。
- 在无线直连模式下, 最多可以同时连接五台设备。如果在已连接五台设备时尝试连接第六台设备, 将出现错误。  
如果出现错误, 断开不使用打印机的设备, 然后重新配置设置。
- 使用无线直连连接到打印机的设备无法彼此进行通讯。
- 使用无线直连时, 将不能对打印机进行固件更新。
- 未使用无线路由器将设备连接到打印机且要使用相同的连接方法重新进行设置时, 请先断开连接。在 Wi-Fi 设置屏幕上禁用设备和打印机之间的连接。

## 网络连接提示

- ▶ 默认网络设置
- ▶ 找到其他具有相同名称的打印机
- ▶ 通过 LAN 连接到其他计算机/从 USB 更改为 LAN 连接
- ▶ 打印网络设置
- ▶ 更改无线 LAN 连接方法

# 默认网络设置

## LAN 连接默认值

项目	默认
更改 LAN	禁用 LAN
SSID	BJNPSETUP
无线 LAN 安全	禁用
IP 地址 (IPv4)	自动设置
IP 地址 (IPv6)	自动设置
设置打印机名称*	XXXXXXXXXXXX
启用/禁用 IPv6	启用
启用/禁用 WSD	启用
超时设置	15 分钟
启用/禁用 Bonjour	启用
服务名称	Canon TS3100 series
LPR 协议设置	启用
RAW 协议	启用
LLMNR	启用
PictBridge 通讯	启用

(“XX”表示字母数字字符。)

\* 默认值因打印机而异。

## 无线直连默认值

项目	默认
SSID(无线直连标识符)	XXXXXX-TS3100series *
密码	打印机序列号
无线 LAN 安全	WPA2-PSK(AES)

\*(XXXXXX 为打印机 MAC 地址的最后六位数字。)



## 找到其他具有相同名称的打印机

设置过程中找到打印机时，结果屏幕上可能会出现其他具有相同名称的打印机。

对照检测结果屏幕上的设置查看打印机设置，从而选择打印机。

- 对于 Windows:

查看打印机的 MAC 地址或序列，从结果中选择正确的打印机。

- 对于 Mac OS:

打印机名称显示为末尾添加 MAC 地址的名称，或显示为由 Bonjour 指定的打印机名称。

检查标识符，如 MAC 地址、由 Bonjour 指定的打印机名称以及打印机的序列号，从出现的打印机中选择打印机。

### 注 释

- 序列号可能未显示在结果屏幕上。

要检查打印机的 MAC 地址和序列号，请使用操作面板打印输出网络设置信息。

#### ■ [打印网络设置](#)

## 通过 LAN 连接到其他计算机/从 USB 更改为 LAN 连接

■ [对于 Windows:](#)

■ [对于 Mac OS:](#)

### 对于 Windows:

要在 LAN 上添加计算机以连接到打印机或从 USB 更改为 LAN 连接，请使用安装光盘或从网页执行设置。

### 对于 Mac OS:

要通过 LAN 将其他计算机连接到打印机，或从 USB 更改为 LAN 连接，请从网页执行设置。

## 打印网络设置

使用操作面板打印打印机的当前网络设置。

### 重要事项

- 此网络设置打印输出包含关于网络的重要信息。请小心处理。

- [确保打印机已开启。](#)
- [装入两张 A4 或 Letter 尺寸的普通纸。](#)
- 按**信息**按钮。

打印机开始打印网络设置信息。

打印出打印机网络设置的以下信息。(根据打印机设置, 某些设置值不会显示。)

项目编号	项目	描述	设置
1	Product Information	产品信息	-
1-1	Product Name	产品名称	XXXXXXXX
1-2	ROM Version	ROM 版本	XXXXXXXX
1-3	Serial Number	序列号	XXXXXXXX
2	Network Diagnostics	网络诊断	—
2-1	Diagnostic Result	诊断结果	XXXXXXXX
2-2	Result Codes	结果代码	XXXXXXXX
2-3	Result Code Details	结果代码详细资料	<a href="http://canon.com/ijnwt">http://canon.com/ijnwt</a>
3	Wireless LAN	无线 LAN	Enable/Disable
3-1	WPS PIN CODE	WPS PIN 编码	XXXXXXXX
3-2	Infrastructure	基础结构	Enable/Disable
3-2-1	Signal Strength	信号强度	0 到 100[%]
3-2-2	Link Quality	连接质量	0 到 100[%]
3-2-3	Frequency	频率	XX(GHz)
3-2-4	MAC Address	MAC 地址	XX:XX:XX:XX:XX:XX
3-2-5	Connection	连接状态	Active/Inactive
3-2-6	SSID	SSID	无线 LAN SSID
3-2-7	Channel	通道	XX(1 到 13)

3-2-8	Encryption	加密方法	None/WEP/TKIP/AES
3-2-9	WEP Key Length	WEP 密钥长度(位)	Inactive/128/64
3-2-10	Authentication	验证方法	None/auto/open/shared/WPA-PSK/WPA2-PSK
3-2-11	TCP/IPv4	TCP/IPv4	Enable
3-2-12	IP Address	IP 地址	XXX.XXX.XXX.XXX
3-2-13	Subnet Mask	子网掩码	XXX.XXX.XXX.XXX
3-2-14	Default Gateway	默认网关	XXX.XXX.XXX.XXX
3-2-15	TCP/IPv6	TCP/IPv6	Enable/Disable
3-2-16	Link Local Address	本地链路地址	XXXX:XXXX:XXXX:XXXX XXXX:XXXX:XXXX:XXXX
3-2-17	Link Local Prefix Length	本地链路前缀长度	XXX
3-2-18	Stateless Address1	无状态地址 1	XXXX:XXXX:XXXX:XXXX XXXX:XXXX:XXXX:XXXX
3-2-19	Stateless Prefix Length1	无状态前缀长度 1	XXX
3-2-20	Stateless Address2	无状态地址 2	XXXX:XXXX:XXXX:XXXX XXXX:XXXX:XXXX:XXXX
3-2-21	Stateless Prefix Length2	无状态前缀长度 2	XXX
3-2-22	Stateless Address3	无状态地址 3	XXXX:XXXX:XXXX:XXXX XXXX:XXXX:XXXX:XXXX
3-2-23	Stateless Prefix Length3	无状态前缀长度 3	XXX
3-2-24	Stateless Address4	无状态地址 4	XXXX:XXXX:XXXX:XXXX XXXX:XXXX:XXXX:XXXX
3-2-25	Stateless Prefix Length4	无状态前缀长度 4	XXX
3-2-26	Default Gateway1	默认网关 1	XXXX:XXXX:XXXX:XXXX XXXX:XXXX:XXXX:XXXX
3-2-27	Default Gateway2	默认网关 2	XXXX:XXXX:XXXX:XXXX XXXX:XXXX:XXXX:XXXX
3-2-28	Default Gateway3	默认网关 3	XXXX:XXXX:XXXX:XXXX XXXX:XXXX:XXXX:XXXX

3-2-29	Default Gateway4	默认网关 4	XXXX:XXXX:XXXX:XXXX XXXX:XXXX:XXXX:XXXX
3-2-33	IPsec	IPsec 设置	Active
3-2-34	Security Protocol	安全方法	ESP/ESP & AH/AH
3-3	Access Point Mode	无线直连的操作模式	Enable/Disable
3-3-1	MAC Address	MAC 地址	XX:XX:XX:XX:XX:XX
3-3-2	Connection	连接状态	Active/Inactive
3-3-3	SSID	SSID	无线直连 SSID
3-3-4	Password	密码	无线直连密码(10 个字母数字字符)
3-3-5	Channel	通道	3
3-3-6	Encryption	加密方法	AES
3-3-7	Authentication	验证方法	WPA2-PSK
3-3-8	TCP/IPv4	TCP/IPv4	Enable
3-3-9	IP Address	IP 地址	XXX.XXX.XXX.XXX
3-3-10	Subnet Mask	子网掩码	XXX.XXX.XXX.XXX
3-3-11	Default Gateway	默认网关	XXX.XXX.XXX.XXX
3-3-12	TCP/IPv6	TCP/IPv6	Enable/Disable
3-3-13	Link Local Address	本地链路地址	XXXX:XXXX:XXXX:XXXX XXXX:XXXX:XXXX:XXXX
3-3-14	Link Local Prefix Length	本地链路前缀长度	XXX
3-3-15	IPsec	IPsec 设置	Active
3-3-16	Security Protocol	安全方法	-
5	Other Settings	其他设置	-
5-1	Printer Name	打印机名称	打印机名称(最多 15 个字母数字字符)
5-4	WSD Printing	WSD 打印设置	Enable/Disable
5-5	WSD Timeout	超时	1/5/10/15/20[分钟]
5-6	LPD Printing	LPD 打印设置	Enable/Disable
5-7	RAW Printing	RAW 打印设置	Enable/Disable
5-9	Bonjour	Bonjour 设置	Enable/Disable

5-10	Bonjour Service Name	Bonjour 服务名称	Bonjour 服务名称(最多 52 个字母数字字符)
5-11	LLMNR	LLMNR 设置	Enable/Disable
5-12	SNMP	SNMP 设置	Enable/Disable
5-13	PictBridge Commun.	PictBridge 通讯	Enable/Disable
5-14	DNS Server	自动包含 DNS 服务器地址	Auto/Manual
5-15	Primary Server	主服务器地址	XXX.XXX.XXX.XXX
5-16	Secondary Server	辅助服务器地址	XXX.XXX.XXX.XXX
5-17	Proxy Server	代理服务器设置	Enable/Disable
5-18	Proxy Address	代理地址	XXXXXXXXXXXXXXXXXXXX
5-19	Proxy Port	代理端口指定	1 到 65535
5-20	Cert. Fingerprt(SHA-1)	证书指纹(SHA-1)	XXXXXXXXXX XXXXXXXXXXXX XXXXXXXXXXXX XXXXXXXXXX XXXXXXXXXXXX
5-21	Cert. Fingerprt(SHA-256)	证书指纹(SHA-256)	XXXXXXXXXX XXXXXXXXXXXX XXXXXXXXXXXX XXXXXXXXXXXX XXXXXXXXXX XXXXXXXXXXXX XXXXXXXXXXXX XXXXXXXXXXXX

(“XX”表示字母数字字符。)

## 更改无线 LAN 连接方法

按照以下任一步骤更改无线 LAN 连接方法(架构或无线直连)。

- **对于 Windows:**

- 使用安装光盘或从网页重新执行设置。
- 在 IJ Network Device Setup Utility 的**网络设置**屏幕上执行设置。

### ▶▶▶ 重要事项

- 使用 IJ Network Device Setup Utility 执行设置前，按照以下步骤在打印机上开启简易无线连接模式。

1. [确保打印机已开启。](#)

2. 按**直连**按钮，并在 (直连)图标出现时松开。

按照智能手机或平板电脑上的说明进行操作。

- **对于 Mac OS:**

从网页重新执行设置。

## 使用纸张、原稿、FINE 墨盒等

- ▶ 装入纸张
- ▶ 放置原稿
- ▶ 更换 FINE 墨盒



## 装入纸张

- ▶ 装入普通纸/照片纸

## 装入普通纸/照片纸

可以装入普通纸或照片纸。

### 重要事项

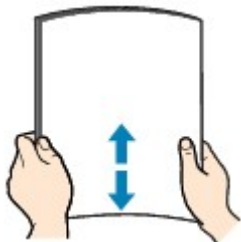
- 如果将普通纸剪切为小尺寸进行试打印，如 10 x 15 厘米(4" x 6")或 13 x 18 厘米(5" x 7")，可能会造成卡纸。

### 注释

- 建议使用 Canon 原装照片纸打印照片。  
有关 Canon 原装纸张的详细资料，请参见[支持的介质类型](#)。
- 可以使用普通的复印纸或 Canon Red Label Superior WOP111/Canon Océ Office Colour Paper SAT213。  
有关本打印机可以使用的页尺寸和纸张重量，请参见[支持的介质类型](#)。

#### 1. 准备纸张。

对齐纸张的边缘。如果纸张卷曲，将其平整。

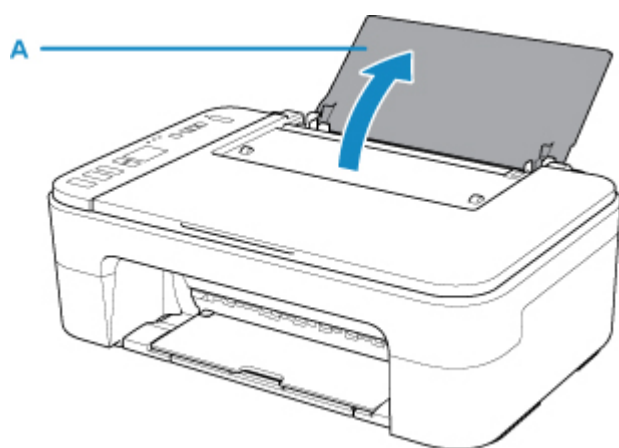


### 注释

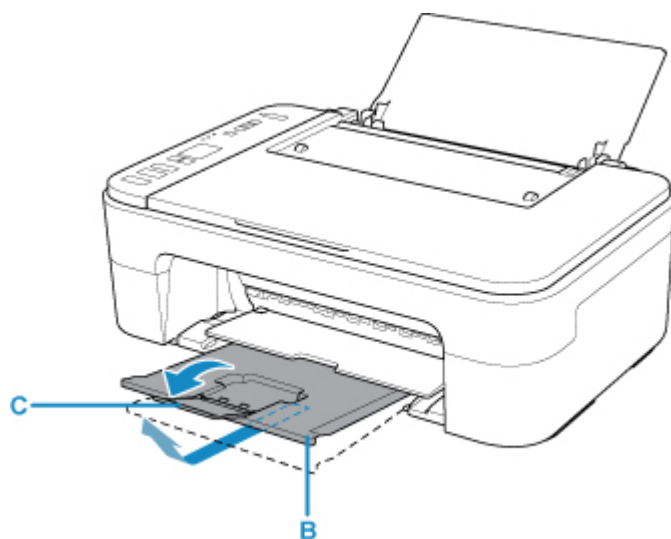
- 装入前请先将纸张的边缘完全对齐。装入纸张时没有对齐纸张边缘可能会造成卡纸。
- 如果纸张卷曲，请持着卷曲的角并轻轻地向反方向弯曲纸张，直至纸张完全平整。  
有关如何平整卷曲纸张的详细资料，请参见[纸张出现污迹/打印面有划痕](#)中的 **检查 3**。

#### 2. 装入纸张。

1. 打开靠纸架(A)。



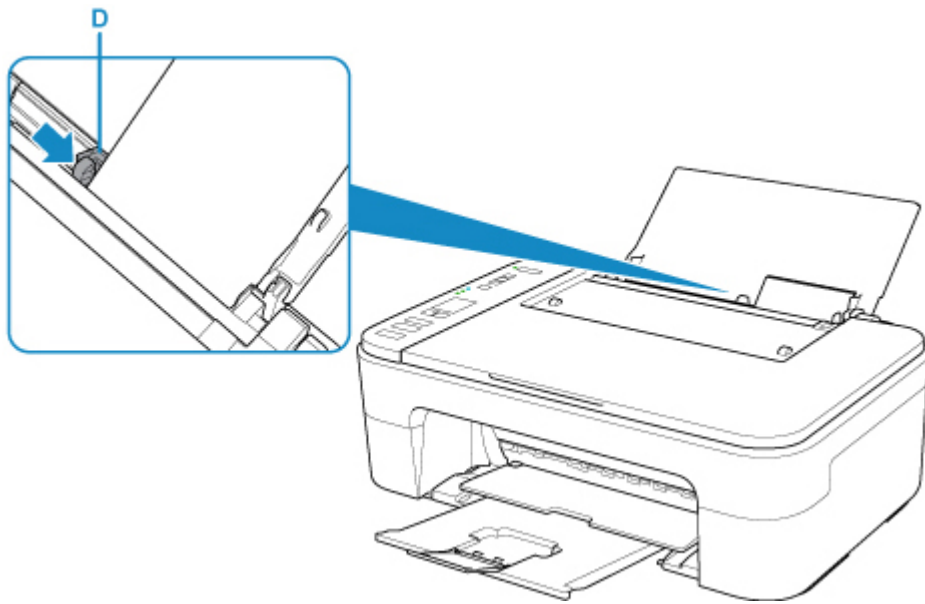
2. 拉出出纸托盘(B)和出纸托盘扩展架(C)。



3. 将纸张打印面朝向自己沿后端托盘的最右侧垂直装入。

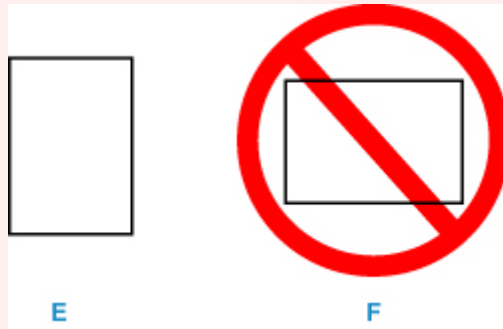
4. 调整纸张导片(D)与纸张左侧对齐。

请勿过于用力移动纸张导片以紧靠纸张。否则，纸张可能无法正确地送入。



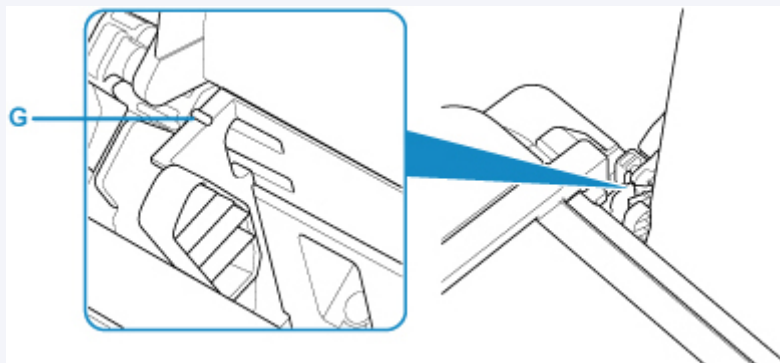
### 重要事项

- 请务必纵向(E)装入纸张。横向(C)装入纸张会造成卡纸。

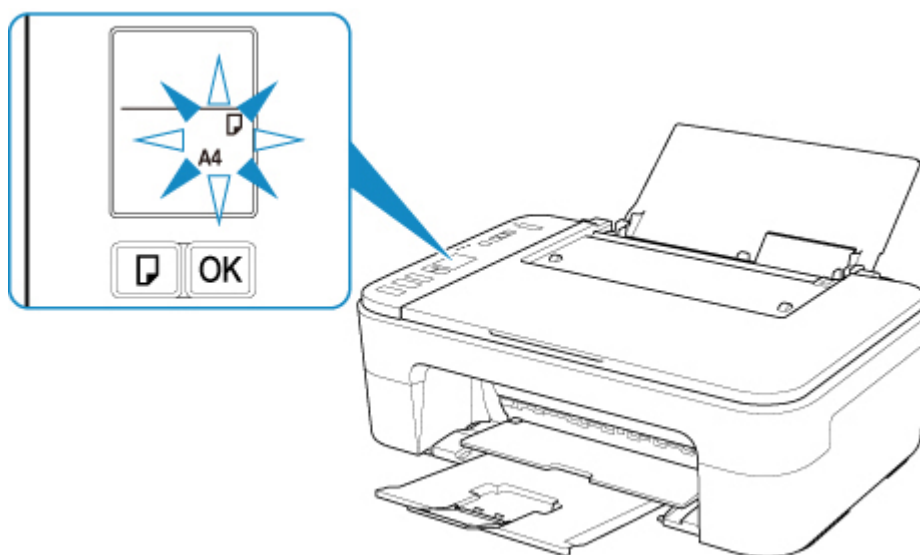


### 注释

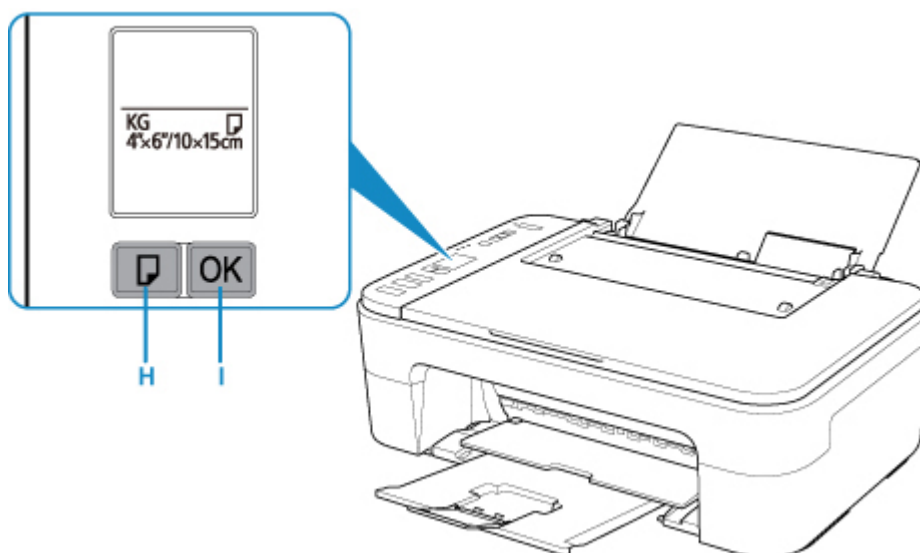
- 请勿使装入的纸张超出装入限量标记(G)。



在后端托盘中装入纸张后，纸张状态和当前纸张尺寸会在 LCD 屏幕上闪烁。



5. 按**纸张选择**按钮(H)根据后端托盘中装入的纸张选择纸张尺寸，然后按 **OK** 按钮(I)。



## 注 释

- 装入纸张后，在计算机的打印设置屏幕上选择装入纸张的尺寸和类型。
  - 存在多种类型的纸张，如表面覆有特殊涂膜的用于打印最佳质量照片的纸张，以及适合打印文档的纸张。每一种介质类型都有特定的预置设置(如何使用墨水、如何喷出墨水或到喷嘴的距离等)，可以在该类型介质上打印出最佳图像质量。错误的纸张设置可能造成打印颜色质量欠佳，或造成打印面出现划痕。如果发现模糊不清或颜色不均匀，请提高打印质量设置并再次尝试打印。
  - 为防止错误打印，本打印机具有一项检测功能，此功能检测为装入后端托盘的纸张所设置的尺寸是否与纸张设置相匹配。打印前，根据后端托盘的纸张尺寸设置进行纸张设置。启用此功能时，如果这些设置不匹配，会显示错误信息和错误代码以防止错误打印。显示错误信息和错误代码时，检查并修正纸张设置。


## 放置原稿

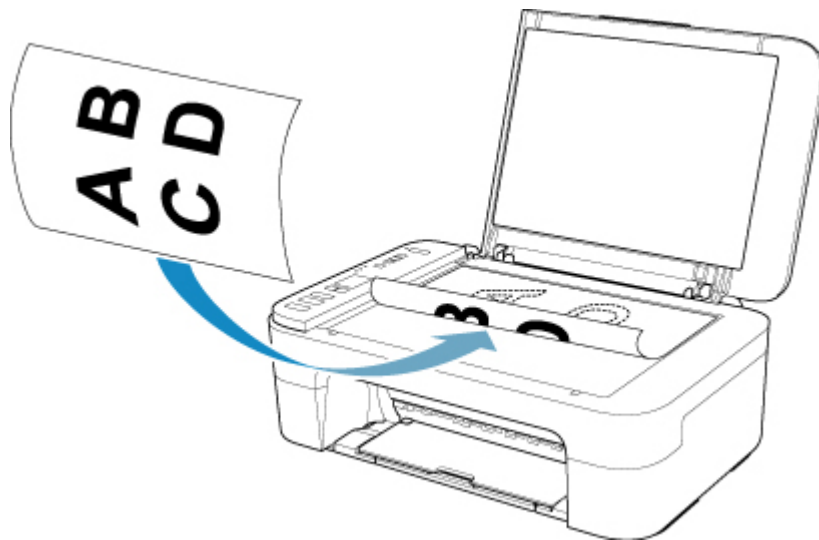
- ▶ 在稿台玻璃上放置原稿
- ▶ 支持的原稿

## 在稿台玻璃上放置原稿

1. 将原稿放置在稿台玻璃上。

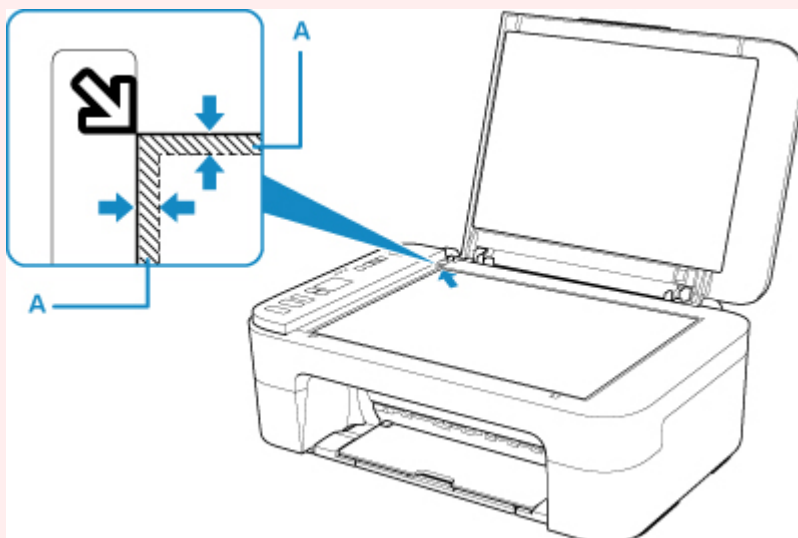
1. 打开文档盖板。
2. 在稿台玻璃上放置原稿，将要扫描的一面向下。

将原稿的角与对齐标记  对齐。

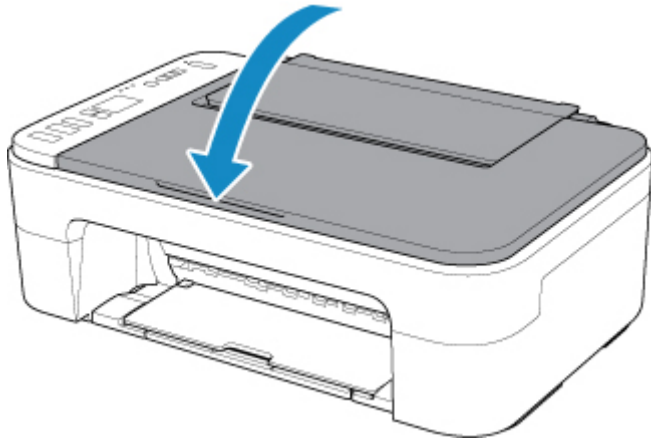


### 重要事项

- 将原稿放置在稿台玻璃上时，务必注意以下事项。否则可能造成扫描仪故障或稿台玻璃破裂。
  - 请勿将任何重量达到或超过 2.0 千克(4.4 磅)的物体放置在稿台玻璃上。
  - 请勿使稿台玻璃承受的压力达到或超过 2.0 千克(4.4 磅)，如按压原稿。
- 打印机无法扫描条纹区域(A)[距离稿台玻璃边缘 1 毫米(0.04 英寸)的位置]。



2. 轻轻地关闭文档盖板。



### 重要事项

- 在稿台玻璃上放置原稿后，请务必在开始复印或扫描之前关闭文档盖板。



## 支持的原稿

项目	详细信息
原稿类型	- 文本文档、杂志或报纸 - 打印的照片、明信片、名片或光盘(BD/DVD/CD 等)
尺寸(宽度 x 高度)	最大 216 x 297 毫米(8.5 x 11.7 英寸)

## 更换 FINE 墨盒

- ▶ 更换 FINE 墨盒
- ▶ 通过操作面板上的墨水指示灯检查墨水状态
- ▶ 墨水提示

## 更换 FINE 墨盒

当出现剩余墨水警告或错误时，LCD 屏幕上将出现错误代码以提示出现错误。在这种状态下，打印机无法进行打印或扫描。检查错误代码并采取适当措施。

### ■ 发生错误

使用打印机时，出纸槽周围可能被墨水弄脏。

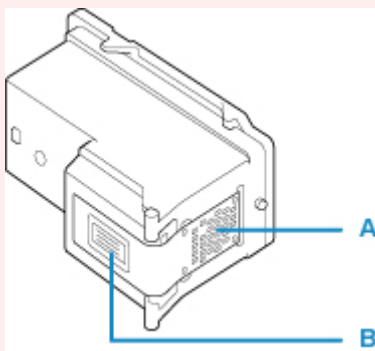
更换 FINE 墨盒之前，请清洗出纸槽的周围。

## 更换步骤

需要更换 FINE 墨盒时，请按照以下步骤操作。

### ▶▶▶ 重要事项

- 请勿触摸 FINE 墨盒上的电气触点(A)或打印头喷嘴(B)。如果触摸这些区域，打印机可能无法正确打印。



- 如果取出 FINE 墨盒，请立即更换。请勿让打印机处于没有 FINE 墨盒的状态。
- 使用新 FINE 墨盒进行更换。安装使用过的 FINE 墨盒可能会造成喷嘴堵塞。此外，使用这样的 FINE 墨盒，打印机将无法正确提示何时更换 FINE 墨盒。
- 一旦安装 FINE 墨盒后，请勿将其从打印机中取出并裸露放置。这将造成 FINE 墨盒干涸，重新装入后，打印机可能无法正常工作。要保持最佳打印质量，请在 FINE 墨盒开封后六个月内将其用完。

### ▶▶▶ 注释

- 对于 Windows，如果 FINE 墨盒中墨水用完，可仅使用仍有墨水的彩色或黑色 FINE 墨盒打印一段时间。但是，与同时使用两个墨盒打印时相比，打印质量可能会降低。为获得最佳质量，建议使用新 FINE 墨盒。

即使仅使用一种墨水打印，请在不取出空的 FINE 墨盒的情况下进行打印。如果未安装彩色 FINE 墨盒或黑色 FINE 墨盒，则会出现错误且打印机无法打印。

有关如何配置此设置的详细资料，请参见以下内容。

#### ■ 设置要使用的 FINE 墨盒

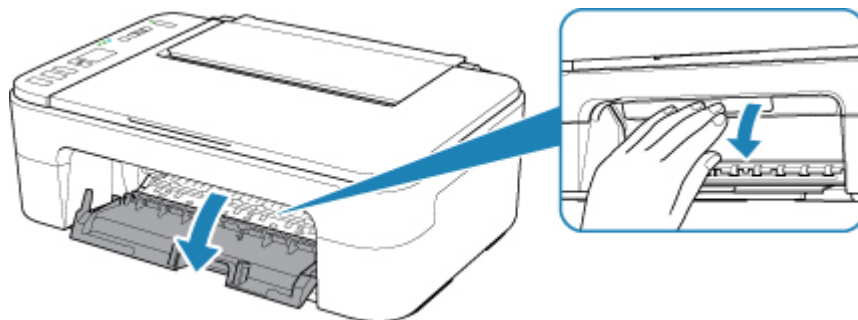
- 即使打印黑白文档或指定黑白打印时，也可能会消耗彩色墨水。

打印头标准清洗和打印头深度清洗也会消耗彩色墨水和黑色墨水，这是保持打印机性能所必须进行的。墨水用完时，请立即更换新的 FINE 墨盒。

#### ■ 墨水提示

1. 确保电源已开启。
2. 收回出纸托盘和出纸托盘扩展架。
3. 打开盖板。

FINE 墨盒固定器移至更换位置。



#### **⚠ 注意**

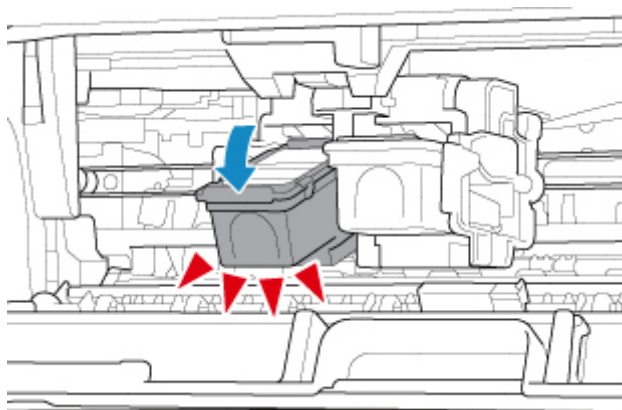
- 请勿捏着 FINE 墨盒固定器强行将其停止或移动。FINE 墨盒固定器完全停止之前，请勿触摸。

#### **▶▶▶ 重要事项**

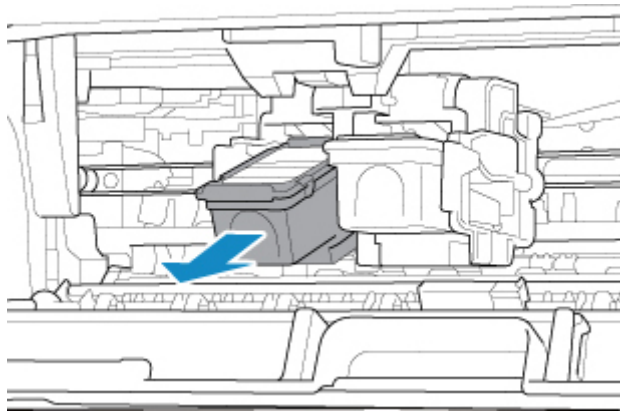
- 打印机内部可能会被墨水弄脏。请注意，更换 FINE 墨盒时不要弄脏双手或衣物。可以使用纸巾或类似物品轻松地擦拭干净打印机内部的墨水。
- 请勿触摸打印机内部的金属部件或其他部件。
- 如果机盖打开的时间超过 10 分钟，FINE 墨盒固定器会移至最左侧，并且出现错误。在这种情况下，关闭盖板，然后重新开启。

4. 取出空的 FINE 墨盒。

1. 向下推 FINE 墨盒直至其锁定到位。



2. 取出 FINE 墨盒。

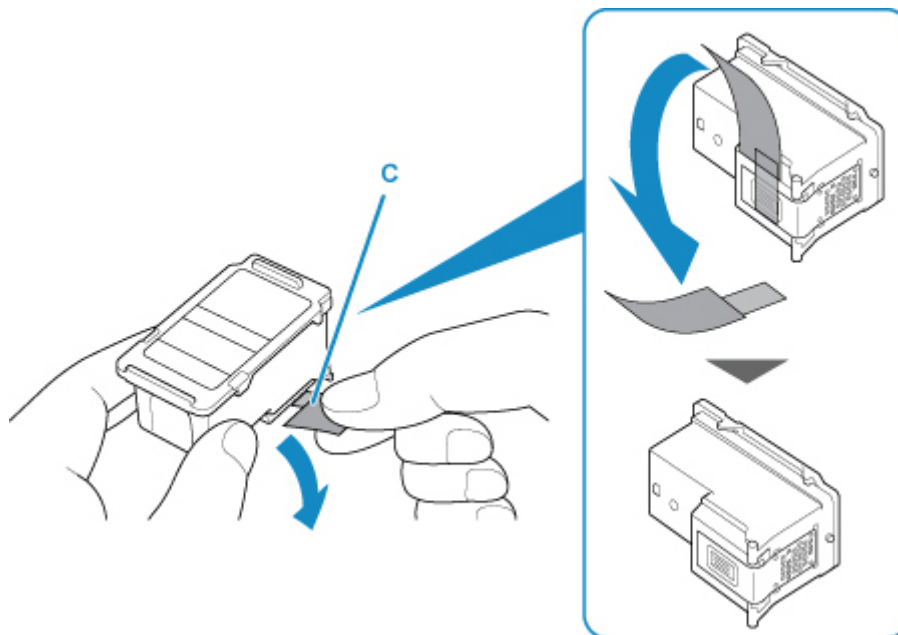


### 重要事项

- 小心处理 FINE 墨盒，以免弄脏衣物或四周。
- 请根据当地处理耗用品的法律和法规弃置空 FINE 墨盒。

## 5. 准备新的 FINE 墨盒。

1. 从包装中取出新的 FINE 墨盒，并轻轻地取下保护胶带(C)。



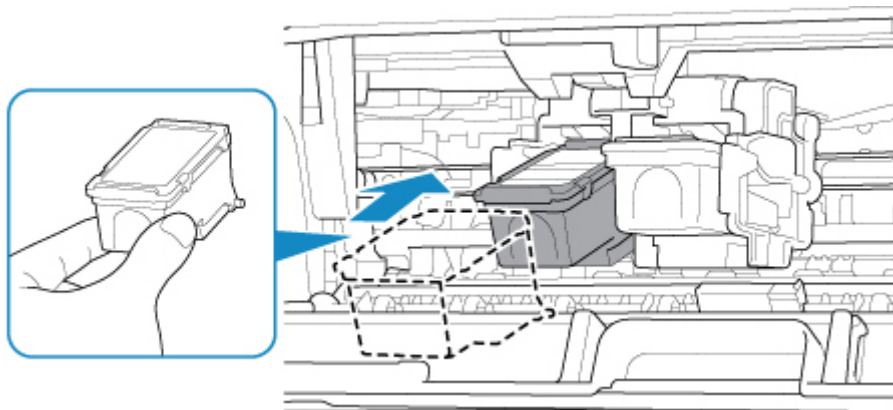
### 重要事项

- 如果摇晃 FINE 墨盒，可能造成墨水漏出并弄脏双手和四周。请小心处理 FINE 墨盒。
- 请注意，不要让取下的保护胶带上的墨水弄脏双手和四周。
- 一旦取下保护胶带后，请勿将其重新粘上。请根据当地处理耗用品的法律和法规将其弃置。
- 请勿触摸 FINE 墨盒上的电气触点或打印头喷嘴。如果触摸这些区域，打印机可能无法正确打印。

## 6. 安装 FINE 墨盒。

1. 将新的 FINE 墨盒倾斜地插入 FINE 墨盒固定器。

彩色 FINE 墨盒应安装于左侧的插槽中，黑色 FINE 墨盒应安装于右侧的插槽中。

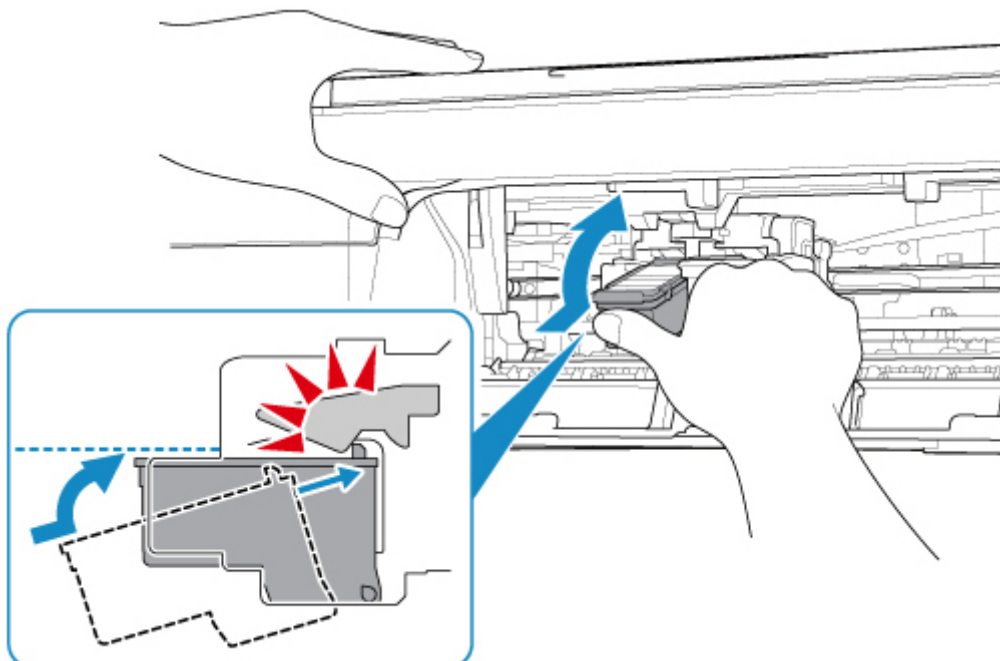


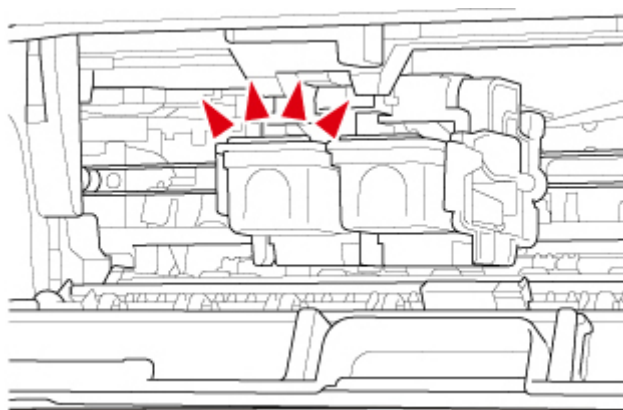
### 重要事项

- 轻轻插入 FINE 墨盒，以免碰撞 FINE 墨盒固定器上的电气触点。



2. 适当用力向上推进 FINE 墨盒直至其锁定到位。





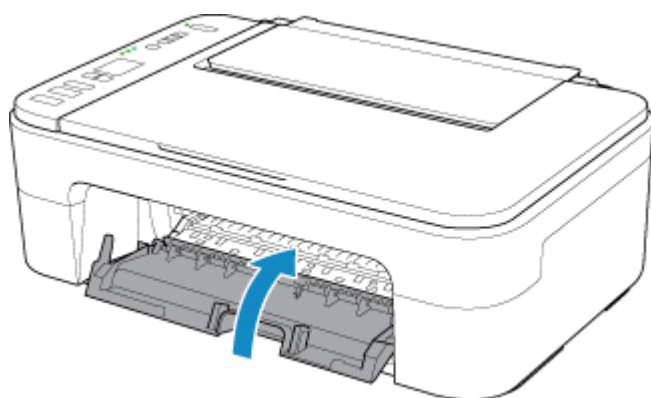
### 重要事项

- 检查 FINE 墨盒是否已正确安装。



- 只有同时安装了彩色 FINE 墨盒和黑色 FINE 墨盒，打印机才能打印。务必安装两种墨盒。

### 7. 关闭盖板。



### 注释

- 如果关闭机盖后 LCD 屏幕上出现错误代码，请采取适当措施。
  - [发生错误](#)
- 打印机在运行时可能会产生噪音。

### 8. 调整打印头位置。

#### ■ [对齐打印头](#)

更换 FINE 墨盒之后，对齐打印头。

## 注釋

- 執行打印頭對齊後，打印機將在打印打印頭對齊頁之前自動開始清洗打印頭。打印機完成打印頭清洗之前請勿執行任何其他操作。



## 通过操作面板上的墨水指示灯检查墨水状态

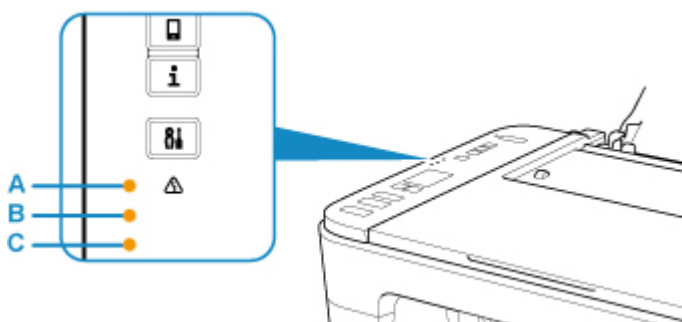
### ►► 注释

- 打印机上装有墨水量检测器以检测剩余墨水量。安装新的 FINE 墨盒时，打印机认为墨水是满的，然后开始检测剩余墨水量。如果安装用过的 FINE 墨盒，则该墨盒的墨水量指示可能不正确。在这种情况下，查看墨水量信息仅作为参考。
- 出现剩余墨水警告或错误时，墨水指示灯和警告指示灯将闪烁以提示出现错误。LCD 屏幕上也会显示错误代码。检查错误代码并采取适当措施。

#### ■ 发生错误

在复印待机模式下，可以通过**彩色墨水**指示灯和**黑色墨水**指示灯检查墨水状态。

\* 下图操作面板上的所有指示灯亮起均为示例所用。



- (A) 警告指示灯
- (B) 黑色墨水指示灯
- (C) 彩色墨水指示灯

### 彩色墨水指示灯或黑色墨水指示灯亮起

墨水量很少。准备一个新墨盒。如果在这种情况下继续打印，打印结果的质量可能不会令人满意。

### 彩色墨水指示灯或黑色墨水指示灯闪烁，警告指示灯闪烁

发生错误。

#### ■ 发生错误

\* 对于某些类型的故障，警告指示灯可能不会闪烁。

### ►► 注释

- 也可以在计算机屏幕上检查墨水状态。
  - 对于 Windows:
    - [从计算机检查墨水状态](#)
  - 对于 Mac OS:
    - [从计算机检查墨水状态](#)

## 墨水提示

### 墨水如何用于打印之外的多种用途？

墨水可用于除打印外的其他用途。墨水不仅可用于打印，也可用于清洗打印头以保持最佳打印质量。打印机具有自动清洁喷墨喷嘴以防止阻塞的功能。在清洗步骤中，清洗喷嘴只使用少量墨水。

### 黑白打印是否使用彩色墨水？

根据打印纸张的类型或打印机驱动程序的设置，黑白打印可能会使用黑色墨水以外的墨水。因此，即使在黑白打印时也会消耗彩色墨水。

## 维护

- ▶ 如果打印变得暗淡或不均匀
- ▶ 从计算机执行维护功能(Windows)
- ▶ 从计算机执行维护功能(Mac OS)
- ▶ 清洁

## 如果打印变得暗淡或不均匀

- ▶ 维护步骤
- ▶ 打印喷嘴检查图案
- ▶ 检查喷嘴检查图案
- ▶ 清洗打印头
- ▶ 深度打印头清洗
- ▶ 对齐打印头

## 维护步骤

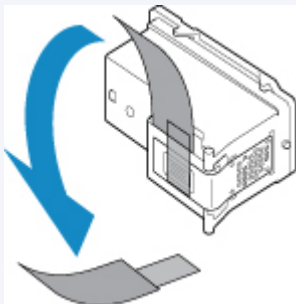
如果打印结果模糊不清、打印颜色错误或对打印结果仍不满意(例如, 打印的规则线条未对齐), 请执行以下维护操作。

### 重要事项

- 请勿冲洗或擦拭 FINE 墨盒。否则可能造成 FINE 墨盒故障。

### 注释

- 检查 FINE 墨盒中是否还剩有墨水。
  - [通过操作面板上的墨水指示灯检查墨水状态](#)
- 检查 FINE 墨盒是否已正确安装。
  - [更换步骤](#)
- 同时检查保护胶带是否已从 FINE 墨盒底部取下。



- 如果警告指示灯亮起或闪烁, 请参见[发生错误](#)。
- 对于 Windows, 在打印机驱动程序设置中提高打印质量可能会改善打印结果。
  - [更改打印质量及修正图像数据](#)

### 打印结果模糊或不均匀时:

**步骤 1** [打印喷嘴检查图案](#)。

从打印机

■ [打印喷嘴检查图案](#)

从计算机

- 对于 Windows:
  - [打印喷嘴检查图案](#)
- 对于 Mac OS:
  - [打印喷嘴检查图案](#)

**步骤 2** [检查喷嘴检查图案](#)。

如果图案中有线条缺失或者水平白色条纹:



### 步骤 3 清洗打印头。

从打印机

#### ■ 清洗打印头

从计算机

- 对于 Windows:
  - 清洗打印头
- 对于 Mac OS:
  - 清洗打印头

清洗打印头后，打印并检查喷嘴检查图案: ➡ [步骤 1](#)

如果执行两次步骤 1 至步骤 3 后问题仍未解决:



### 步骤 4 深度清洗打印头。

从打印机

#### ■ 深度打印头清洗

从计算机

- 对于 Windows:
  - 清洗打印头
- 对于 Mac OS:
  - 清洗打印头

如果问题未解决，关闭电源并在 24 小时后再次深度清洗打印头。

如果问题仍未解决:



### 步骤 5 更换 FINE 墨盒。

#### ■ 更换 FINE 墨盒

#### ▶▶▶ 注释

- 如果更换 FINE 墨盒后问题仍未解决，请联系最近的 Canon 服务中心要求维修。

**打印结果不均匀(例如规则的线条未对齐)时:**

### 步骤 对齐打印头。

从打印机

#### ■ 对齐打印头

从计算机

- 对于 Windows:

■ 调整打印头位置

• 对于 Mac OS:

■ 调整打印头位置

## 打印喷嘴检查图案

打印喷嘴检查图案以确定打印头喷嘴是否正常地喷出墨水。

### ►► 注释

- 如果剩余墨水量不足，则不会正确打印喷嘴检查图案。 [更换墨水不足的 FINE 墨盒。](#)

**需要准备：**一张 A4 或 Letter 尺寸的普通纸

1. 确保电源已开启。
2. 在后端托盘中装入一张 A4 或 Letter 尺寸的普通纸。

在后端托盘中装入纸张后，纸张状态和当前纸张尺寸会在 LCD 屏幕上闪烁。按 **纸张选择** 按钮选择“A4”或“LTR”，然后按 **OK** 按钮。

3. 拉出出纸托盘和出纸托盘扩展架。
4. 按 **设置** 按钮直至 LCD 屏幕上出现“1”。

5. 按 **黑白** 按钮或 **彩色** 按钮。

将打印喷嘴检查图案。

打印机完成喷嘴检查图案打印之前请勿执行任何其他操作。

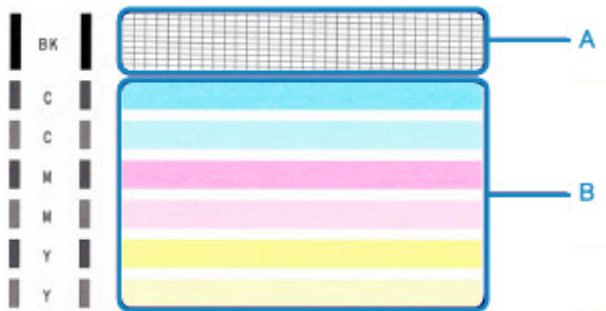
6. [检查喷嘴检查图案。](#)



## 检查喷嘴检查图案

检查喷嘴检查图案，并在需要时清洗打印头。

1. 检查图案(A)中是否有线条缺失或者图案(B)中是否有水平白色条纹。



如果图案(A)中有线条缺失：

需要[清洗打印头](#)。



(C) 正常

(D) 不正常(线条缺失)

如果图案(B)中有水平白色条纹：

需要[清洗打印头](#)。



(E) 正常

(F) 不正常(出现水平白色条纹)

如果图案(A)或图案(B)中的任一颜色未打印：



(示例：未打印品红色图案)

需要[清洗打印头](#)。

## 清洗打印头

如果打印的喷嘴检查图案中线条缺失或出现水平白色条纹，请清洗打印头。清洗疏通喷嘴并恢复打印头状况。清洗打印头消耗墨水，因此请仅在需要时清洗打印头。

1. 确保电源已开启。
2. 按**设置**按钮直至 LCD 屏幕上出现“2”。

3. 按**黑白**按钮或**彩色**按钮。

打印机开始清洗打印头。

**电源**指示灯闪烁后亮起时，清洁将完成。

打印机完成打印头清洗之前请勿执行任何其他操作。此过程大约需要 1 分钟。

4. 检查打印头状况。

要检查打印头状况，请[打印喷嘴检查图案](#)。

### »» 注释

- 如果清洗打印头两次后问题仍未解决，请[深度清洗打印头](#)。

## 深度打印头清洗

如果标准打印头清洗未改善打印质量，则深度清洗打印头。深度清洗打印头比标准清洗打印头消耗更多墨水，因此请仅在必要时深度清洗打印头。

1. 确保电源已开启。
2. 按**设置**按钮直至 LCD 屏幕上出现“3”。

3. 按**黑白**按钮或**彩色**按钮。

打印机开始深度清洗打印头。

**电源**指示灯闪烁后亮起时，清洁将完成。

打印机完成打印头深度清洗之前请勿执行任何其他操作。此过程大约需要 1 到 2 分钟。

4. 检查打印头状况。

要检查打印头状况，请[打印喷嘴检查图案](#)。

如果问题未解决，关闭电源并在 24 小时后再次深度清洗打印头。

如果问题仍未解决，请[更换新的 FINE 墨盒](#)。

如果更换 FINE 墨盒后问题仍未解决，请联系最近的 Canon 服务中心要求维修。

## 对齐打印头

如果规则的线条打印后没有对齐或打印效果不理想，请调整打印头位置。

### ►► 注释

- 如果剩余墨水量不足，则不会正确打印打印头对齐页。

[更换墨水不足的 FINE 墨盒。](#)

**需要准备：一张 A4 或 Letter 尺寸的普通纸(包括再生纸)\***

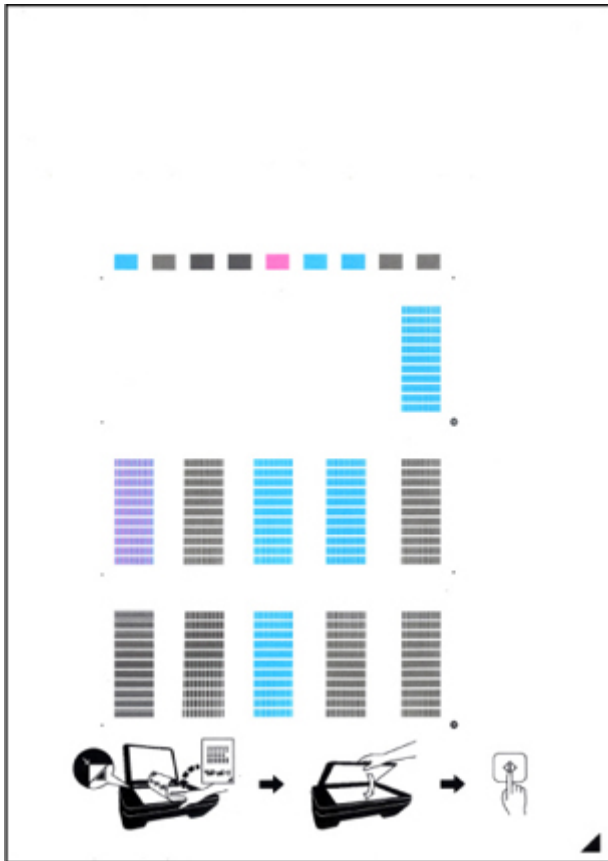
\* 务必使用两面均洁白干净的纸张。

1. 确保电源已开启。
2. 在后端托盘中装入一张 A4 或 Letter 尺寸的普通纸。

在后端托盘中装入纸张后，纸张状态和当前纸张尺寸会在 LCD 屏幕上闪烁。按**纸张选择**按钮选择“A4”或“LTR”，然后按**OK**按钮。

3. 拉出出纸托盘和出纸托盘扩展架。
4. 按**设置**按钮直至 LCD 屏幕上出现“4”。
5. 按**黑白**按钮或**彩色**按钮。



将打印打印头对齐页。

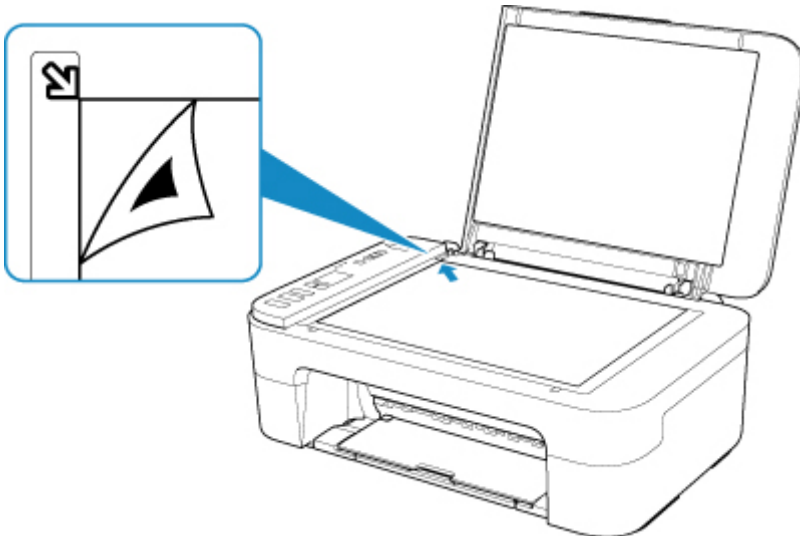


### 重要事项

- 请勿触摸打印头对齐页上的任何打印部分。如果打印头对齐页脏污或皱褶，可能无法正确扫描。
- 如果未正确打印打印头对齐页，请按**停止**按钮，然后从开始重新执行此步骤。

#### 6. 将打印头对齐页放置在稿台玻璃上。

将打印面向下放置打印头对齐页，并将该页右下角的标记  与对齐标记  对齐。



#### 7. 轻轻关闭文档盖板，然后按**黑白**按钮或**彩色**按钮。

打印机开始扫描打印头对齐页，并且将自动调整打印头位置。

电源指示灯闪烁后亮起时，打印头位置调整将完成。

取下稿台玻璃上的打印头对齐页。

### 重要事项

- 打印头位置调整完成之前，请勿打开文档盖板或取出稿台玻璃上的打印头对齐页。
- 如果打印头位置调整失败，警告指示灯闪烁。按 **OK** 按钮清除错误，然后采取适当措施。

■ 发生错误

### 注释

- 如果按以上描述调整打印头位置后打印效果仍不理想，请从计算机手动调整打印头位置。
  - 对于 Windows：
    - 调整打印头位置
  - 对于 Mac OS：
    - 调整打印头位置
- 要打印和检查当前打印头位置调整值，按**设置**按钮直至 LCD 屏幕上出现“6”，然后按**黑白**按钮或**彩色**按钮。

## 清洁

- ▶ 清洁外部表面
- ▶ 清洁稿台玻璃和文档盖板
- ▶ 清洁进纸滚轴
- ▶ 清洁打印机内部(底板清洁)

## 清洁进纸滚轴

如果进纸滚轴脏污或沾有纸屑，则纸张可能不会正确地送入。

在这种情况下，清洁进纸滚轴。

**需要准备：一张 A4 或 Letter 尺寸的普通纸或者市场上出售的清洁纸**

1. 确保电源已开启。

2. 从后端托盘取出所有纸张。

3. 清洁没有纸张的进纸滚轴。

1. 按**设置**按钮直至 LCD 屏幕上出现“7”。

2. 按**黑白**按钮或**彩色**按钮。

清洁时，进纸滚轴会转动。

4. 清洁带有纸张的进纸滚轴。

1. 确保进纸滚轴已停止转动，然后在后端托盘中装入一张 A4 或 Letter 尺寸的普通纸或市场上出售的清洁纸。

在后端托盘中装入纸张后，纸张状态和当前纸张尺寸会在 LCD 屏幕上闪烁。按**纸张选择**按钮选择“A4”或“LTR”，然后按**OK**按钮。

2. 拉出出纸托盘和出纸托盘扩展架。

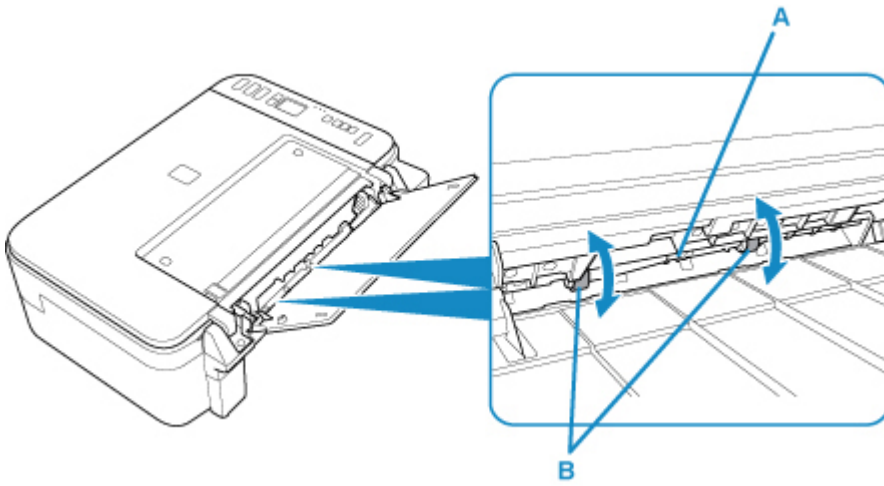
3. 按**黑白**按钮或**彩色**按钮。

打印机开始清洁。纸张弹出时，清洁完成。

5. 按**停止**按钮。

如果清洁后端托盘中的进纸滚轴之后问题仍未解决，请关闭电源，拔出电源线，然后在手动转动白色塑料部分(A)的同时用微湿的棉签或类似物品擦拭位于后端托盘内的进纸滚轴(B)。执行此操作两次以上。请勿用手指触摸滚轴(B)。





清洁进纸滚轴之后，打开电源，然后再次清洁进纸滚轴。

如果清洁进纸滚轴后问题仍未解决，请联系最近的 Canon 服务中心要求维修。

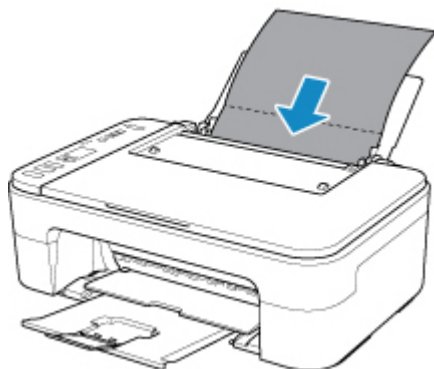
## 清洁打印机内部(底板清洁)

从打印机内部擦除污迹。如果打印机内部脏污，可能会弄脏打印的纸张，因此建议定期执行清洁。

**需要准备：一张 A4 或 Letter 尺寸的普通纸\***

\* 务必使用一张新纸。

1. 确保电源已开启，并从后端托盘取出所有纸张。
2. 准备纸张。
  1. 将一张 A4 或 Letter 尺寸的普通纸横向对折，然后打开纸张。
  2. 将开口面向自己，在后端托盘中仅装入该纸张。
  3. 拉出出纸托盘和出纸托盘扩展架。



3. 按**设置**按钮直至 LCD 屏幕上出现“8”。
4. 按**黑白**按钮或**彩色**按钮。

纸张送入打印机时将清洁打印机内部。

检查已输出纸张的折叠部分。如果被墨水弄脏，请再次执行底板清洁。

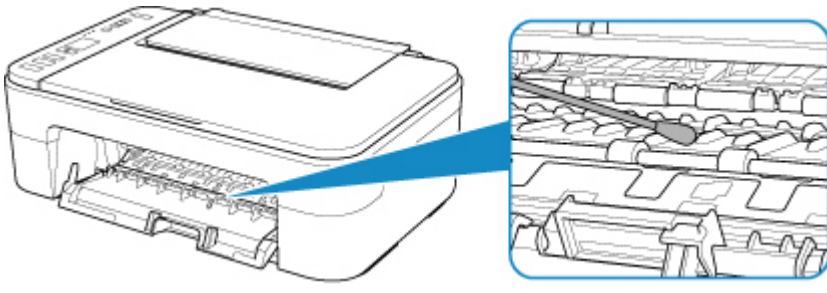
### ►► 注释

- 再次执行底板清洁时，务必使用一张新纸。

如果再次执行清洁后问题仍未解决，打印机内部的突出部分可能已脏污。使用棉签或类似物品将突出部分的所有墨水擦拭干净。

### ►► 重要事项

- 清洁打印机之前，务必关闭电源并拔出电源线。



## 概述

### ▶ 安全相关

- [安全注意事项](#)
- [法规信息](#)
- [WEEE \(EU & EEA\)](#)

### ▶ 使用注意事项

- [取消打印作业](#)
- [存放打印图像](#)
- [扫描/复印的法律限制](#)
- [打印机使用注意事项](#)
- [运输打印机](#)
- [修理、外借或处置打印机时](#)
- [保持高打印质量](#)

### ▶ 主要部件和使用方法

- [主要部件](#)
- [电源供应](#)
- [LCD 屏幕指示](#)

### ▶ 更改设置

- [从您的计算机中更改打印机设置 \(Windows\)](#)
- [从您的计算机中更改打印机设置 \(Mac OS\)](#)
- [从操作面板更改设置](#)

### ▶ 规格

## 安全相关

- ▶ 安全注意事项
- ▶ 法规信息
- ▶ WEEE (EU&EEA)

# 安全注意事项

## 选择放置位置

- 请勿将打印机放置在不稳固或有可能受到强烈震动的地方。
- 请勿将打印机放置在高湿度、多尘、阳光直射、户外或接近热源的地方。  
为了避免火灾或触电危险，请在[规格](#)中指定的环境下使用打印机。
- 请勿将打印机放置于厚垫或地毯上。
- 请勿将打印机背面紧贴墙壁放置。

## 电源供应

- 时刻确保电源插座附近没有障碍物，以便必要时可以轻易地拔出电源线。
- 切勿拽着电源线拔出插头。  
拉拽电线可能损坏电源线，并可能导致火灾或电击。
- 请勿使用延长线。

## 在打印机附近工作时

- 切勿在打印过程中将手或手指伸入打印机内。
- 移动打印机时，同时握住打印机的两端。如果打印机重量超过 14 千克，建议由两人搬运打印机。打印机意外掉落可能会造成伤害。关于打印机的重量，请参阅[规格](#)。
- 请勿将任何物品放置于打印机上。尤其勿将金属物品(如纸夹、订书钉等)或装有易燃溶剂(如酒精、稀释剂等)的容器放置于打印机上。
- 运输或使用打印机时，请勿使其倾斜、直立或倒置，否则墨水可能漏出并损坏打印机。
- 将厚书装入到稿台玻璃上时，请勿用力按压文档盖板。稿台玻璃可能破裂并导致受伤。

## 打印头/墨水盒/FINE 墨盒

- 请将墨水盒存放在远离孩童可接触的地方。如果不慎舔到或咽下墨水，请及时漱口或喝一两杯清水。如果感觉刺激或不适，请立即就医。
- 如果墨水进入眼中，请立即用水清洗。如果墨水接触到皮肤，请立即用肥皂和水清洗。如果眼部或皮肤仍感觉刺激，请立即就医。
- 切勿在打印结束后触摸打印头的电气触点或 FINE 墨盒。  
金属部件可能非常灼热，并可能造成烫伤。
- 请勿将墨水盒和 FINE 墨盒投入火中。
- 请勿尝试拆开或改装打印头、墨水盒和 FINE 墨盒。

## 法规信息

### 电源要求

切勿使用购买时所在国家的电压供应以外的电源电压。使用不正确的电压将导致火灾或电击。正确的电源电压和频率如下：

AC 100-240V、50/60Hz


### 关于无线电波

请勿在靠近医疗设备或电子设备的地方使用本产品。无线电波干扰可影响设备的运行或性能。

### 产品中有害物质的名称及含量

部件名称	有害物质					
	铅 (Pb)	汞 (Hg)	镉 (Cd)	六价铬 (Cr(VI))	多溴联苯 (PBB)	多溴二苯醚 (PBDE)
印刷电路板零部件	×	○	○	○	○	○
电源零部件	×	○	○	○	○	○
电气零部件	×	○	○	○	○	○
结构零部件	×	○	○	○	○	○
图像扫描/光源单元	×	×	○	○	○	○

本表格依据 SJ/T 11364 的规定编制。  
○：表示该有害物质在该部件所有均质材料中的含量均在 GB/T 26572 规定的限量要求以下。  
×：表示该有害物质至少在该部件的某一均质材料中的含量超出 GB/T 26572 规定的限量要求。  
注释：根据产品的不同，一些部件不适用于此指令。

 中华人民共和国 电子电气产品有害物质限制使用标志	本标志适用于在中华人民共和国销售的电子电气产品，标志中央的数字代表产品的环保使用期限。 只要您遵守与本产品相关的安全与使用方面的注意事项，在从生产日期起算的上述年限内，就不会产生环境污染或对人体及财产的严重影响。
--	---

1. 标明附件中所规定的技术指标和使用范围，说明所有控制、调整及开关等使用方法；
  - 使用频率：2.4 - 2.4835 GHz
  - 等效全向辐射功率(EIRP):  
天线增益 < 10dBi 时：≤100 mW 或 ≤20 dBm
  - 最大功率谱密度：  
天线增益 < 10dBi 时：≤10 dBm / MHz(EIRP)
  - 载频容限：20 ppm
2. 不得擅自更改发射频率、加大发射功率(包括额外加装射频功率放大器)，不得擅自外接天线或改用其它发射天线；
3. 使用时不得对各种合法的无线电电信业务产生有害干扰；一旦发现有干扰现象时，应立即停止使用，并采取消除措施后方可继续使用；
4. 使用微功率无线电设备，必须忍受各种无线电业务的干扰或工业、科学及医疗应用设备的辐射干扰；

5. 不得在飞机和机场附近使用。



## **WEEE (EU&EEA)**

此规定仅适用于欧盟和 EEA（挪威、冰岛和列支敦士登）。  
此处没有通知信息。

## 使用注意事项

- ▶ 取消打印作业
- ▶ 存放打印图像
- ▶ 扫描/复印的法律限制
- ▶ 打印机使用注意事项
- ▶ 运输打印机
- ▶ 修理、外借或处置打印机时
- ▶ 保持高打印质量

## 扫描/复印的法律限制

扫描、打印、复印或修改以下复印件可能会受到法律的制裁。

此列表为不完全清单。如有疑问，请咨询法律代表。

- 纸币
- 汇票
- 存款单
- 邮票(盖戳或未盖戳的)
- 身份识别卡或标志
- 义务兵役或征兵证件
- 政府机构签发的支票或汇票
- 机动车驾照和所有权证书
- 旅行支票
- 食品券
- 护照
- 移民证件
- 国内税收印花税票(盖戳或未盖戳的)
- 债券或其他债务凭证
- 股票
- 未经所有者许可的版权著作或艺术作品

## 打印机使用注意事项

### 请勿将任何物品放置在文档盖板上！

请勿将任何物品放置在文档盖板上。否则在文档盖板打开时物品会落入后端托盘中，从而造成打印机出现故障。此外，请将打印机放置在不会有物品掉落的地方。

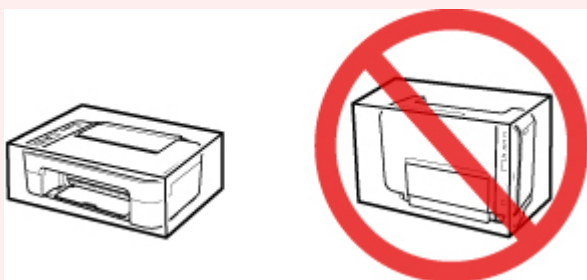


## 运输打印机

重新放置打印机时，请确保下列情况。

### 重要事项

- 将打印机包装在坚固的箱子中，使其底部向下放置，使用充足的保护材料，以确保打印机运输安全。
- 在不取出打印机内安装的 FINE 墨盒的状态下，按**电源**按钮关闭电源。该功能可以使打印机自动盖上打印头，以防止其变干。
- 包装后，请勿倾斜装有打印机的箱子，或将其侧放或倒放。否则可能造成运输过程中墨水漏出并损坏打印机。
- 运输代理商运输打印机时，请在包装箱上标明“此面向上”，以使打印机保持底部向下。同时在包装箱上标明“易碎”或“小心轻放”。



1. 关闭打印机。
2. 确认**电源**指示灯已熄灭并**拔出电源线**。

### 重要事项

- 请勿在**电源**指示灯亮起或闪烁时拔出打印机插头，否则可能会造成打印机故障或损坏，以致打印机无法打印。

3. 收回出纸托盘和出纸托盘扩展架，然后关闭靠纸架。
4. 从计算机和打印机拔出打印机电缆线，然后从打印机拔出电源线。
5. 用粘贴胶带固定打印机上的所有盖板，以防在运输过程中打开。然后用塑料袋包装打印机。
6. 将打印机装入包装箱时，用保护材料包装打印机。

## 修理、外借或处置打印机时

如果已在打印机上输入个人数据、密码和/或安全设置，这些信息可能会存入打印机。

因修理打印机，将打印机外借或转交给他人或对其进行处置而移动打印机时，请确保按以下步骤删除这些信息，并防止第三方访问这些信息。

1. 按**设置**按钮直到 LCD 屏幕上出现“17”。
2. 按**彩色**按钮或**黑白**按钮。

## 保持高打印质量

获得最佳打印质量的关键在于防止打印头变干或堵塞。务必注意以下规则以获得最佳打印质量。

### ►► 注释

- 根据纸张类型，如果打印区域被荧光笔或画笔涂画过，则墨水可能会模糊；如果打印区域接触到水或汗渍，则墨水可能会渗出。

### 电源关闭前请勿拔出电源线！

如果按**电源**按钮关闭电源，打印机会自动盖上打印头(喷嘴)以防止干涸。如果在**电源**指示灯熄灭前从壁装电源插座拔出电源线，则无法正确盖住打印头，从而造成打印头变干或阻塞。

[拔出打印机插头](#)时，确保**电源**指示灯未亮起。

### 定期打印！

如果毡头笔长时间未使用，即使已盖上笔帽笔头也会变得干涸而无法使用。同样的道理，如果打印机长时间未使用，打印头可能也会干涸或堵塞。建议每月至少使用一次打印机。

## 主要部件和使用方法

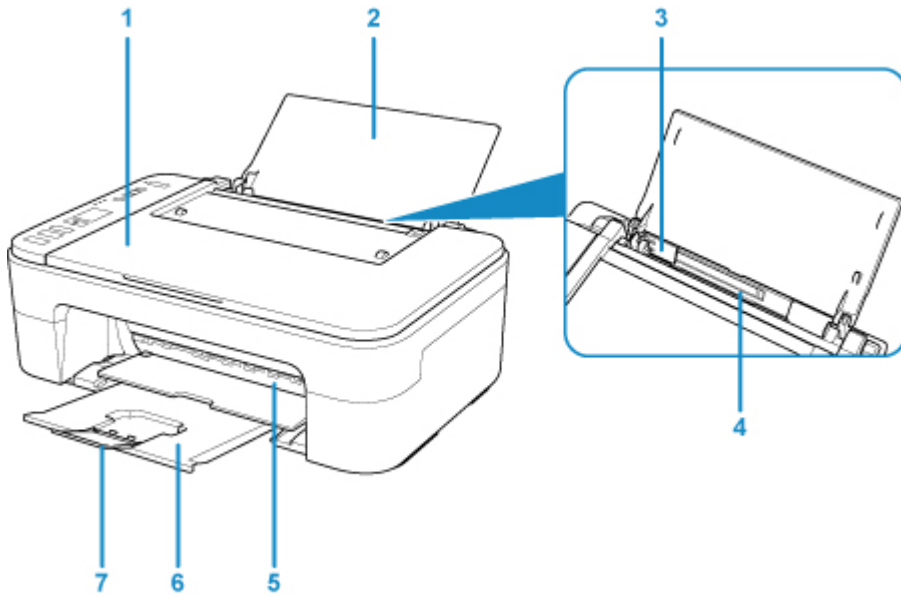
- ▶ 主要部件
- ▶ 电源供应
- ▶ LCD 屏幕指示



## 主要部件

- ▶ 前视图
- ▶ 后视图
- ▶ 内部视图
- ▶ 操作面板

## 前视图



### (1) 文档盖板

打开以在稿台玻璃上放置原稿。

### (2) 靠纸架

打开以在后端托盘中装入纸张。

### (3) 纸张导片

对齐纸叠的左侧。

### (4) 后端托盘

请在此处装入纸张。可以同时装入两张或更多相同尺寸和类型的纸张，并且每次自动送入一张。

#### ■ 装入普通纸/照片纸

### (5) 盖板

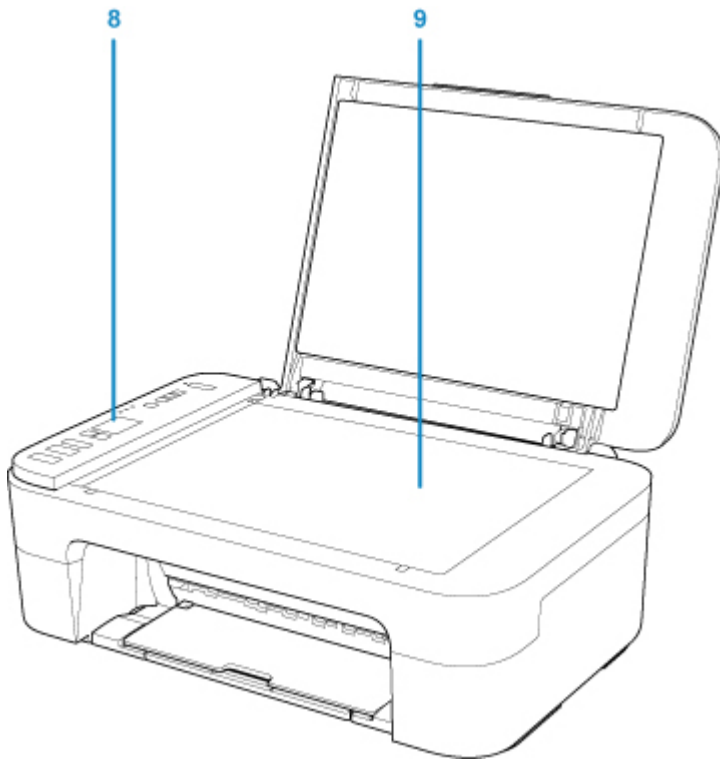
打开以更换 FINE 墨盒或取出打印机内部的卡纸。

### (6) 出纸托盘

输出已打印的纸张。打印前将其拉出。

### (7) 出纸托盘扩展架

拉出以承托输出纸张。打印时请将其展开。



**(8) 操作面板**

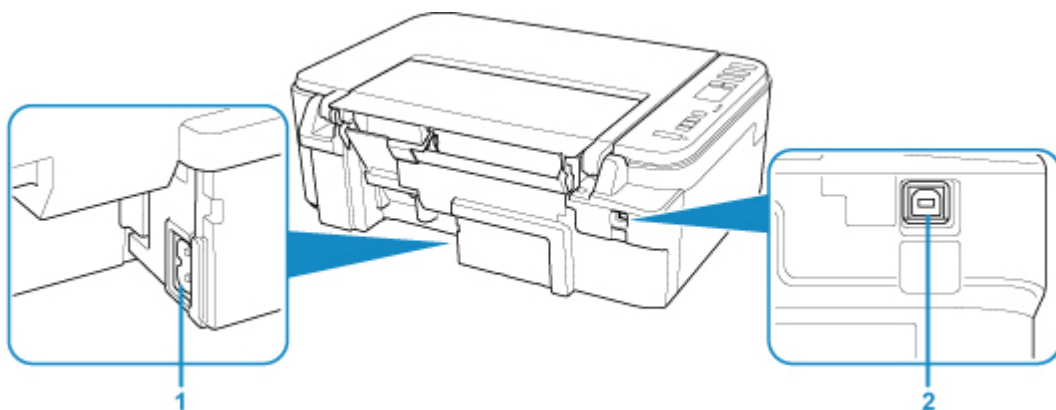
用以更改打印机设置或操作打印机。

■ [操作面板](#)

**(9) 稿台玻璃**

请在此处放置原稿。

## 后视图



### (1) 电源线连接器

在此插入附带的电源线。

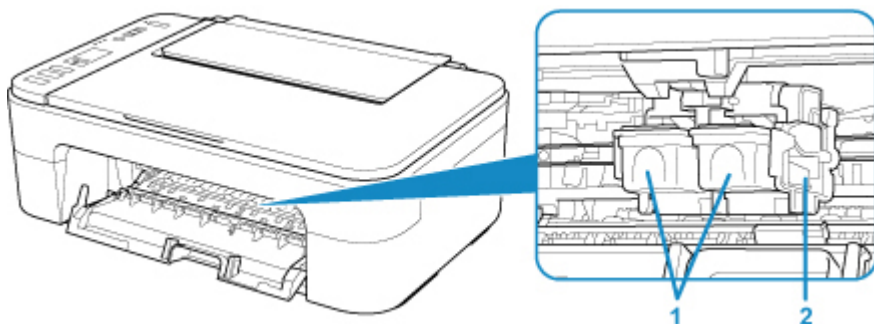
### (2) USB 端口

插入 USB 电缆线以连接打印机和计算机。

### 重要事项

- 请勿触摸金属外壳。
- 打印机正在通过计算机打印或扫描原稿时，请勿插入或拔出 USB 电缆线。

## 内部视图



### (1) FINE 墨盒(墨盒)

打印头与墨水盒集成在一起的可更换式墨盒。

### (2) FINE 墨盒固定器

安装 FINE 墨盒。

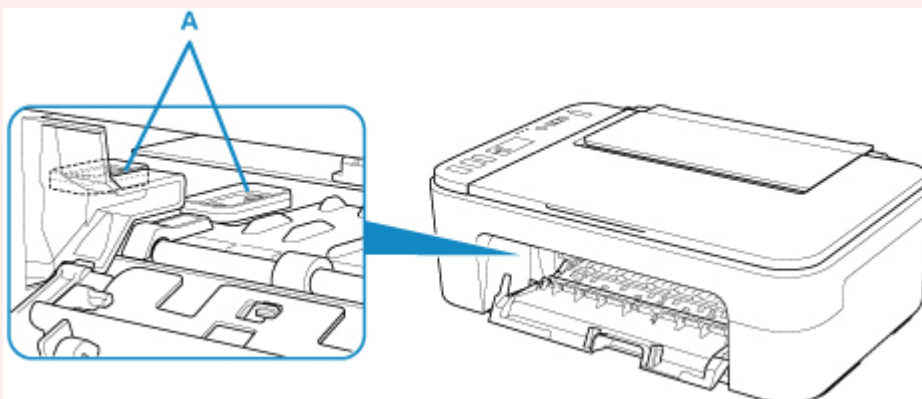
彩色 FINE 墨盒应安装于左侧的插槽中，黑色 FINE 墨盒应安装于右侧的插槽中。

## 注

- 有关更换 FINE 墨盒的详细资料，请参见[更换 FINE 墨盒](#)。

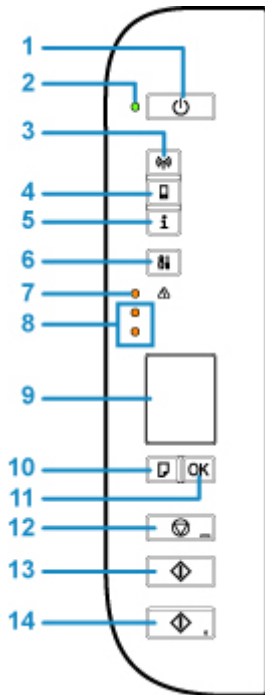
## 重要事项

- 部件(A)的周围区域可能溅有墨水。这不会影响打印机的性能。
- 请勿触摸部件(A)。如果触摸这些区域，打印机可能无法正确打印。



# 操作面板

\* 下图操作面板上的所有指示灯亮起均为示例所用。



## (1) 电源按钮

打开或关闭电源。开启电源前，请确保文档盖板处于关闭状态。

## (2) 电源指示灯

电源开启时，闪烁后亮起。

## (3) 网络按钮

激活/停用无线 LAN。

## (4) 直连接按钮

激活/停用无线直连。

## (5) 信息按钮

开始打印网络设置信息。

## (6) 设置按钮

选择用于执行打印机维护和更改打印机设置的菜单。重复按此按钮可切换 LCD 屏幕上的区域显示。

## (7) 警告指示灯

发生错误时亮起或闪烁。

## (8) 墨水指示灯

出现墨水用完等情况时，亮起或闪烁。

上方指示灯指示黑色 FINE 墨盒的状态，下方指示灯指示彩色 FINE 墨盒的状态。

## (9) LCD(液晶显示器)

显示份数、维护代码、错误代码或多个图标。

### ■ [LCD 屏幕指示](#)

## (10) 纸张选择按钮

选择打印机的纸张尺寸。

**(11) OK 按钮**

完成纸张尺寸设置的选择。此按钮也可用于清除错误。

**(12) 停止按钮**

取消操作。可以按此按钮取消正在进行的打印、复印或扫描作业。按住该按钮可以选择维护选项或打印机设置。

**(13) 黑白按钮\***

开始黑白复印。也可以按此按钮完成设置项目的选择。

**(14) 彩色按钮\***

开始彩色复印。也可以按此按钮完成设置项目的选择。

\* 在软件应用程序或手册中，**彩色**和**黑白**按钮统称为“启动”或“OK”按钮。

## 电源供应

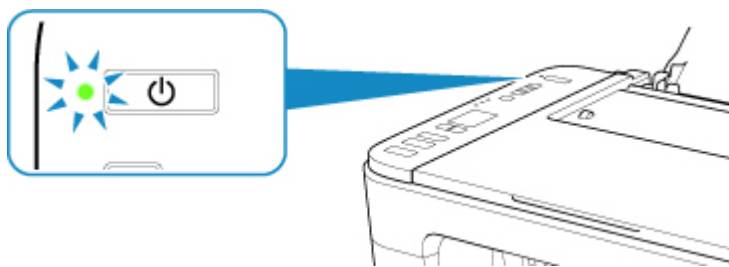
- ▶ 确认电源已开启
- ▶ 开启和关闭打印机
- ▶ 检查电源插头/电源线
- ▶ 拔出打印机插头



## 确认电源已开启

打印机开启时，**电源**指示灯亮起。

即使 LCD 屏幕已关闭，如果**电源**指示灯亮起，则打印机仍处于开启状态。



### 注 释

- 开启打印机后，打印机可能需要一段时间才能立即开始打印。
- 如果大约 10 分钟内未操作打印机，则 LCD 屏幕将关闭。要恢复显示，请按除**电源**按钮以外的任何按钮或执行打印操作。无法更改 LCD 屏幕关闭前的等待时间。

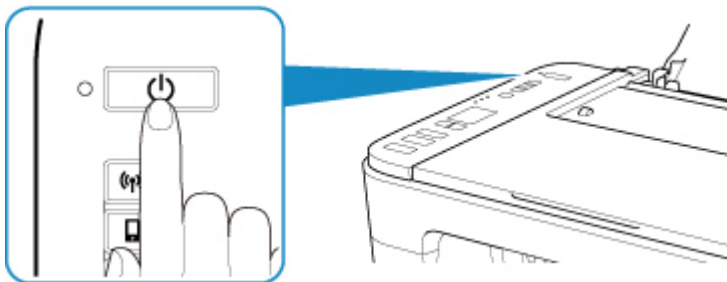
# 开启和关闭打印机

## 开启打印机

1. 按**电源**按钮开启打印机。

**电源**指示灯闪烁，然后持续亮起。

### ■ 确认电源已开启



### ▶▶▶ 注释

- 开启打印机后，打印机可能需要一段时间才能立即开始打印。
- 如果 LCD 屏幕上出现错误代码，请参见[发生错误](#)。
- 可以将打印机设置为在从通过 USB 电缆线或无线网络连接的计算机执行打印或扫描操作时自动开启。此功能默认设置为关闭。有关自动电源开启功能的详细资料，请参见以下内容。

从打印机

### ■ 自动开启/关闭打印机

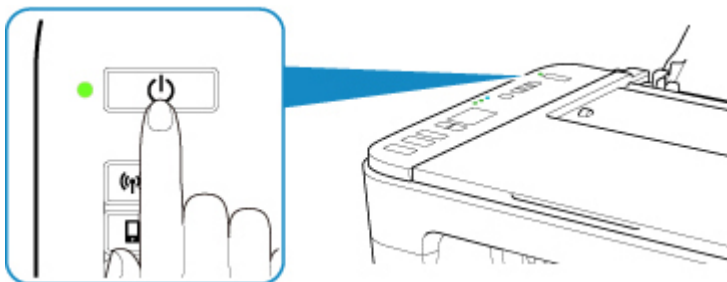
从计算机

- 对于 Windows:
  - [管理打印机电源](#)
- 对于 Mac OS:
  - [管理打印机电源](#)

## 关闭打印机

1. 按**电源**按钮关闭打印机。

**电源**指示灯停止闪烁时，打印机关闭。



## 重要事项

- 关闭打印机后[拔出电源线](#)时，请务必确认[电源](#)指示灯已熄灭。

## 注释

- 可以设置打印机在一定间隔时间中未执行操作或无打印作业发送至打印机时自动关闭。此为默认设置。有关自动电源关闭功能的详细资料，请参见以下内容。

从打印机

- [自动开启/关闭打印机](#)

从计算机

- 对于 Windows:

- [管理打印机电源](#)

- 对于 Mac OS:

- [管理打印机电源](#)

## 检查电源插头/电源线

每月拔出电源线一次以确认电源插头/电源线没有任何下列异常。

- 电源插头/电源线过热。
- 电源插头/电源线生锈。
- 电源插头/电源线弯曲。
- 电源插头/电源线磨损。
- 电源插头/电源线破裂。

### 注意

- 如果发现电源插头/电源线有任何上述异常，请[拔出打印机插头](#)并联系客户支持中心。在上述任一异常情况下使用打印机可能造成火灾或触电。

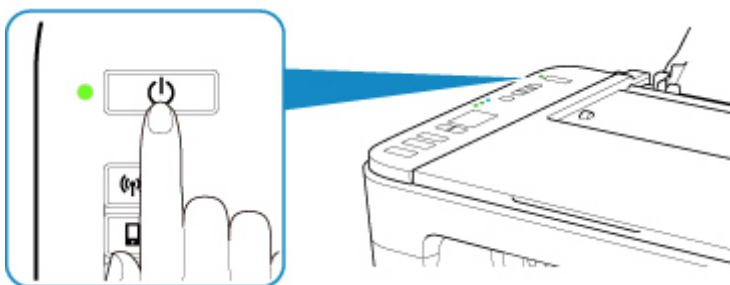
## 拔出打印机插头

要拔出电源线，请按照以下步骤操作。

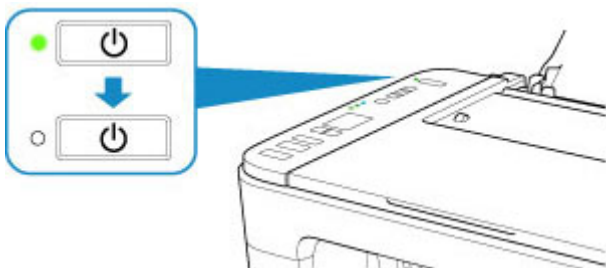
### 重要事项

- 拔出电源线时，按**电源**按钮，然后确认**电源**指示灯已熄灭。在**电源**指示灯亮起或闪烁时拔出电源线，可能会造成打印头干涸或堵塞，打印质量可能会降低。

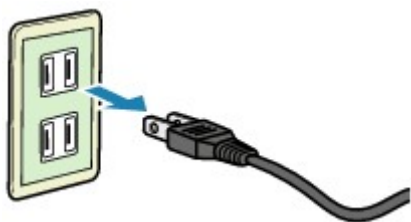
1. 按**电源**按钮关闭打印机。



2. 确认**电源**指示灯已熄灭。



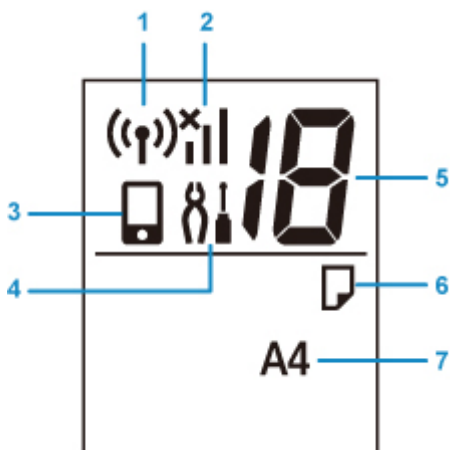
3. 拔出电源线。



根据使用本机所在的国家或地区的不同，电源线的规格也不同。

## LCD 屏幕指示

LCD 屏幕上会显示份数、维护代码、错误代码或多个图标。



### (1) 网络状态

启用无线 LAN 时出现。

### (2) 当前网络状态

显示当前网络状态。

根据所使用的网络或网络状态，图标会有所不同。



(信号强度：81%或更强)：可以顺利通过无线 LAN 使用打印机。



(信号强度：51%或更强)：根据网络状态，可能会出现打印机无法打印等问题。建议将打印机放置在靠近无线路由器的位置。



(信号强度：50%或更弱)：可能会出现打印机无法打印等问题。将打印机放置在靠近无线路由器的位置。



已启用无线 LAN，但打印机未连接到无线路由器。

### (3) 直连

启用无线直连时出现。

### (4) 设置

通过按**设置**按钮显示。出现此图标时，选择用于执行打印机维护和更改打印机设置的菜单。

### (5) 区域显示

显示份数、维护代码或错误代码。

显示 0 至 19 之间的数字或字母。

### (6) 纸张状态

后端托盘中已装入纸张时出现。按**纸张选择**按钮后选择纸张尺寸时，此图标也会闪烁。

\* 如果纸张不匹配检测功能已禁用，则不会出现此图标。

### (7) 纸张尺寸

显示当前纸张尺寸。按**纸张选择**按钮后选择纸张尺寸时，纸张尺寸也会闪烁。

## 更改设置

- ▶ [从您的计算机中更改打印机设置\(Windows\)](#)
- ▶ [从您的计算机中更改打印机设置\(Mac OS\)](#)
- ▶ [从操作面板更改设置](#)

## 从您的计算机中更改打印机设置(Windows)

- ▶ 更改打印选项
- ▶ 注册常用打印配置文件
- ▶ 设置要使用的 FINE 墨盒
- ▶ 管理打印机电源
- ▶ 更改打印机操作模式

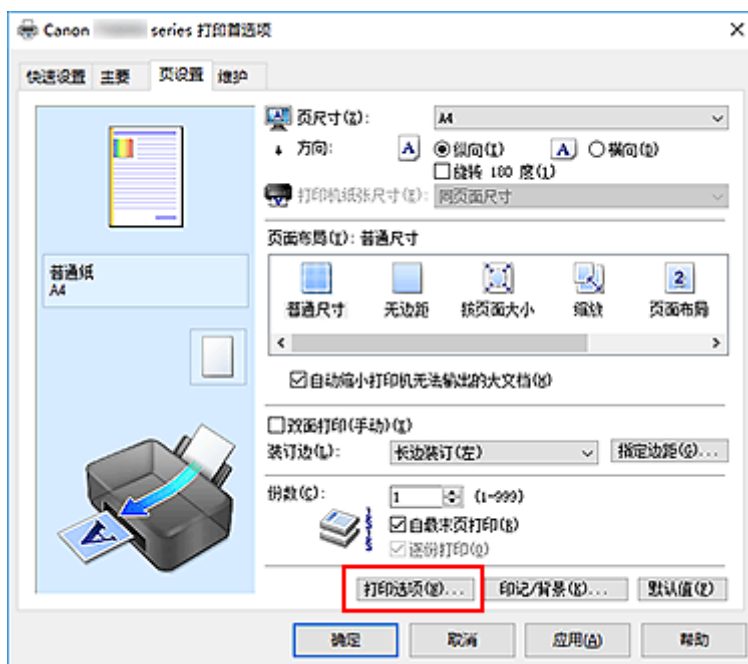


## 更改打印选项

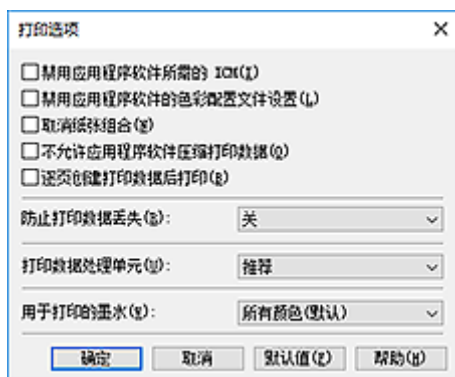
可为打印从应用程序软件发送的打印数据而更改详细的打印机驱动程序设置。

如果打印失败，如部分图像数据被剪切。请指定该选项。

1. 打开[打印机驱动程序设置窗口](#)
2. 单击[页设置选项卡](#)上的打印选项...



打印选项对话框打开。



### 注釋

- 如果使用的是 XPS 打印机驱动程序，可用功能会有所不同。

3. 更改各设置

如有必要，更改各项目的设置，然后单击**确定**。

再次显示[页设置选项卡](#)。

## 注册常用打印配置文件

可以将常用的打印配置文件注册到**快速设置**选项卡上的**常用设置**中。不需要的打印配置文件可以随时删除。

### 注册打印配置文件

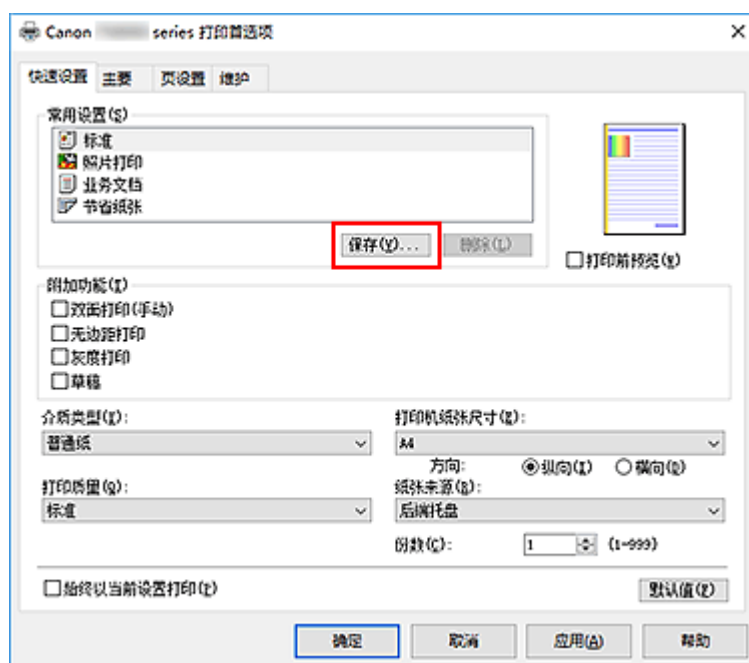
#### 1. 打开[打印机驱动程序设置窗口](#)

#### 2. 设置必要的项目

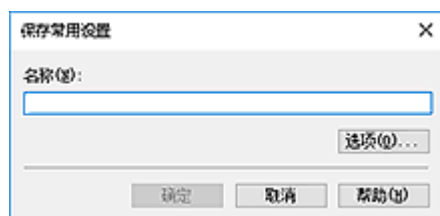
如有必要，从**快速设置**选项卡上的**常用设置**中选择要使用的打印配置文件，然后更改**附加功能**中的设置。

您也可以在**主要**和**页设置**选项卡上注册必要的项目。

#### 3. 单击**保存...**



保存常用设置对话框打开。



#### 4. 保存设置

在名称字段中输入名称。如有必要，单击**选项...**，设置项目，然后单击**确定**。

在**保存常用设置**对话框中，单击**确定**保存打印设置并返回**快速设置**选项卡。

名称和图标显示在**常用设置**中。

## 重要事项

- 要保存在每页中设置的页尺寸、方向和打印份数，请单击**选项...**，并选中各项。

## 注释

- 当重新安装打印机驱动程序或升级打印机驱动程序的版本时，已注册的打印设置将从**常用设置**中删除。  
不能保存和保留已注册的打印设置。如果配置文件被删除，请重新注册打印设置。

## 删除不需要的打印配置文件

### 1. 选择要删除的打印配置文件

在**快速设置**选项卡上的**常用设置**列表中选择要删除的打印配置文件。

### 2. 删除打印配置文件

单击**删除**。出现确认信息时，单击**确定**。

将从**常用设置**列表中删除所选的打印配置文件。

## 注释

- 无法删除注册在初始设置中的打印配置文件。

## 设置要使用的 FINE 墨盒

该功能允许您根据使用需要在已安装的墨盒中指定最合适的 FINE 墨盒。

1. 打开[打印机驱动程序设置窗口](#)
2. 单击页设置选项卡上的打印选项...  
出现打印选项对话框。
3. 从用于打印的墨水选择要使用的 FINE 墨盒  
为打印选择要使用的 FINE 墨盒并单击确定。  
执行打印时，将使用指定的 FINE 墨盒。

### 重要事项

- 指定以下设置时，**仅黑色**不起作用，因为打印机使用彩色 FINE 墨盒打印文档。
  - 在主要选项卡上为介质类型选择除普通纸以外的 Ink Jet Hagaki (A)、Hagaki K (A)、Hagaki (A)或 Hagaki
  - 从页设置选项卡上的页面布局列表选择了无边距
- 不要取下未使用的 FINE 墨盒。当取下任一 FINE 墨盒时，将无法执行打印。

## 管理打印机电源

使用该功能可以从 Canon IJ Printer Assistant Tool 管理打印机电源。



### 电源关闭

**电源关闭**功能可以关闭打印机电源。使用该功能时，无法从 Canon IJ Printer Assistant Tool 打开打印机电源。

#### 1. 打开 Canon IJ Printer Assistant Tool

#### 2. 执行电源关

单击**电源关闭**。出现确认信息时，单击**确定**。

打印机电源关闭。



### 自动电源

利用**自动电源**可以设置**自动电源开启**和**自动电源关闭**。

**自动电源开启**功能将在接收到数据时自动打开打印机电源。

当打印机驱动程序或打印机在指定时段内未进行任何操作时，**自动电源关闭**功能将自动关闭打印机电源。

#### 1. 打开 Canon IJ Printer Assistant Tool

#### 2. 确保打印机已开启，然后单击**自动电源**

**自动电源设置**对话框打开。

#### ▶▶▶ 注释

- 如果打印机关闭或打印机与计算机之间的通讯被禁用，由于计算机无法收集打印机状态信息，可能会出现一条错误信息。  
如果发生此情况，单击**确定**可显示在计算机上新近指定的设置。

#### 3. 如有必要，完成以下设置：

##### 自动电源开启

在列表中指定**启用**将在接收到打印数据时打开打印机电源。

##### 自动电源关闭

从列表中指定时间。当打印机驱动程序或打印机在该时段内未进行任何操作时，打印机将自动关闭。

#### 4. 应用设置

单击**确定**。出现确认信息时，单击**确定**。

此后将启用设置。当想要禁用该功能时，请根据相同步骤从列表中选择**禁用**。

## 注釋

- 当关闭打印机时，Canon IJ 状态监视器信息将根据**自动电源开启**的设置而有所变化。  
当设置为**启用**时，显示“打印机处于待机状态”。当设置为**禁用**时，显示“打印机脱机”。

# 更改打印机操作模式

如有必要，可以在打印机的多种操作模式之间进行切换。



## 用户定义设置

1. 打开 Canon IJ Printer Assistant Tool
2. 确保打印机已开启，然后单击**用户定义设置**

**用户定义设置**对话框打开。

### ▶▶▶ 注释

- 如果打印机关闭或打印机与计算机之间的通讯被禁用，由于计算机无法收集打印机状态信息，可能会出现一条错误信息。  
如果发生此情况，单击**确定**可显示在计算机上新近指定的设置。

3. 如有必要，完成以下设置：

#### 手动对齐打印头

通常，Canon IJ Printer Assistant Tool 中的**打印头对齐**功能已设置为自动打印头对齐，但可以将其更改为手动打印头对齐。

如果自动打印头对齐的打印结果不令人满意，请执行手动打印头对齐。

选中该复选框以执行手动打印头对齐。不选中此复选框以执行自动打印头对齐。

#### 当方向为[横向]时向左旋转 90 度

在**页设置**选项卡上，可以在**方向**中更改**横向**的旋转方向。

如果要在打印过程中将打印数据向左旋转 90 度，请选择该项。如果要在打印过程中将打印数据向右旋转 90 度，请清除该项。

### ▶▶▶ 重要事项

- 打印作业显示在打印等待列表中时，请勿更改该设置。否则，可能遗漏字符或破坏布局。

#### 从计算机打印时不要检测纸张设置不匹配

从计算机打印文档且打印机上装入的纸张与打印机驱动程序上设置的纸张尺寸不匹配时，该设置禁止信息显示并允许继续打印。

要禁用纸张设置不匹配检测，请选中该复选框。

#### 墨水晾干等待时间

打印下一页之前，可以设置打印机等待时间的长度。向右移动滑块将增加暂停时间，向左移动将减少暂停时间。

如果在打印页墨水晾干之前下一页已经输出从而导致纸张脏污，请增加墨水晾干等待时间。

减少墨水晾干等待时间可以加快打印速度。

4. 应用设置

单击**确定**，显示确认信息时，单击**确定**。

此后，打印机将按照修改后的设置运行。

## 从操作面板更改设置

- ▶ [静音设置](#)
- ▶ [自动开启/关闭打印机](#)
- ▶ [初始化打印机设置](#)
- ▶ [转换/禁用无线连接功能](#)



## 静音设置

如果想降低工作噪音，例如在夜间打印时，请启用打印机的此项功能。  
请按照以下步骤执行设置。

1. [确保打印机已开启。](#)
2. 按**设置**按钮直到 LCD 屏幕上出现“12”。
3. 按**彩色**按钮。

要禁用该功能，按**黑白**按钮。

### ▶▶▶ 重要事项

- 与未选择静音模式时相比，操作速度可能有所降低。

### ▶▶▶ 注释

- 可以从打印机的操作面板、计算机设置静音模式。无论如何设置静音模式，从打印机操作面板执行操作或从计算机打印和扫描时，均应用此模式。
- 可以在 Windows 中的 ScanGear(扫描仪驱动程序)设置静音模式。

# 初始化打印机设置

可以初始化打印机设置。

## 重要事项

- 对于 Windows:

当通过无线 LAN 使用打印机时，请注意，初始化会删除打印机上的所有网络设置，并可能无法通过网络从计算机进行打印操作。要通过网络使用打印机，请使用安装光盘执行设置或按照我们网站上的说明进行设置。

- 对于 Mac OS、智能手机或平板电脑:

当通过无线 LAN 使用打印机时，请注意，初始化会删除打印机上的所有网络设置，并可能无法通过网络从计算机进行打印操作。要通过网络使用打印机，请按照我们网站上的说明进行设置。

请按照以下步骤初始化打印机设置。

1. [确保打印机已开启。](#)
2. 按**设置**按钮直到 LCD 屏幕上出现“17”。
3. 按**彩色**按钮或**黑白**按钮。

所有打印机设置已初始化。远程用户界面或 IJ Network Device Setup Utility 指定的管理员密码恢复为默认设置。


重置后，根据需要重新执行设置。

## 注释

- 无法将以下设置项目恢复为默认值：
  - 打印头的当前位置
  - 用于加密方法(SSL/TLS)设置的 CSR(证书签名请求)

## 转换/禁用无线连接功能

请按照以下步骤转换或禁用无线连接功能。

1. [确保打印机已开启。](#)
2. 按**网络**按钮。
3. 确保 LCD 屏幕上的  图标消失。

# 规格

## 一般规格

打印分辨率(dpi)	4800*(水平) x 1200(垂直) * 墨滴最小间距为 1/4800 英寸。
接口	<b>USB 端口:</b> Hi-Speed USB *1 <b>LAN 端口:</b> 无线 LAN: IEEE802.11n / IEEE802.11g / IEEE802.11b *2  *1 需要使用符合 Hi-Speed USB 标准的计算机。由于 Hi-Speed USB 接口与 USB 1.1 完全向上兼容, 因此可以用于 USB 1.1。 *2 可以通过标准设置、WPS (Wi-Fi Protected Setup)、WCN (Windows Connect Now)或简易无线连接进行设置。 可以同时使用 USB 和 LAN。
打印宽度	203.2 毫米/8 英寸
可打印区域	<b>无边距打印:</b> 上/下/左/右的边距: 0.0 毫米(0.0 英寸) <b>标准打印:</b> -上边距: <ul style="list-style-type: none"><li>• 正方形尺寸: 6.0 毫米(0.24 英寸)</li><li>• 其他尺寸: 3.0 毫米(0.12 英寸)</li></ul> -下边距: <ul style="list-style-type: none"><li>• 正方形尺寸: 6.0 毫米(0.24 英寸)</li><li>• 其他尺寸: 5.0 毫米(0.20 英寸)</li></ul> -左边距: <ul style="list-style-type: none"><li>• Letter/Legal: 6.4 毫米(0.26 英寸)</li><li>• 正方形尺寸: 6.0 毫米(0.24 英寸)</li><li>• 其他尺寸: 3.4 毫米(0.14 英寸)</li></ul> -右边距: <ul style="list-style-type: none"><li>• Letter/Legal: 6.3 毫米(0.25 英寸)</li><li>• 正方形尺寸: 6.0 毫米(0.24 英寸)</li><li>• 其他尺寸: 3.4 毫米(0.14 英寸)</li></ul>
操作环境	<b>温度:</b> 5 到 35°C(41 到 95°F) <b>湿度:</b> 10 到 90%RH(无结露) * 在一定温度和湿度条件下, 打印机的性能可能会有所降低。 推荐条件: <b>温度:</b> 15 到 30°C(59 到 86°F) <b>湿度:</b> 10 到 80%RH(无结露) * 有关纸张(如照片纸)的温度和湿度状况, 请参阅纸张的包装或附带的说明。

<b>存储环境</b>	<b>温度:</b> 0 到 40°C(32 到 104°F) <b>湿度:</b> 5 到 95%RH(无结露)
<b>电源供应</b>	AC 100-240V, 50/60Hz (附带的电源线仅适用于产品销售的国家和地区。)
<b>耗电功率</b>	<b>打印(复印):</b> 约 11W <b>待机(最小):</b> 约 1.7W *1*2 <b>关闭:</b> 约 0.3W *1 *1 无线 LAN 已连接。 *2 无法更改待机等待时间。
<b>外部尺寸</b>	约 435(宽) x 316(深) x 145(高)毫米 约 17.2(宽) x 12.5(深) x 5.8(高)英寸 * 靠纸架和出纸托盘收回时。
<b>重量</b>	约 3.9 千克(约 8.5 磅) * 安装有 FINE 墨盒的状态下。
<b>Canon FINE 墨盒</b>	共 1280 个喷嘴(BK 320 个喷嘴, C/M/Y 各 320 个喷嘴)

## 复印规格

<b>多页复印</b>	最多 20 页
-------------	---------

## 扫描规格

<b>扫描仪驱动程序</b>	<b>Windows:</b> TWAIN 1.9 规格、WIA
<b>最大扫描尺寸</b>	A4/Letter, 216 x 297 毫米/8.5" x 11.7"
<b>扫描分辨率</b>	<b>最大光学分辨率(水平 x 垂直):</b> 600 x 1200dpi *1 <b>最大插值分辨率:</b> 19200 x 19200dpi *2 *1 光学分辨率表示基于 ISO 14473 的最大采样率。 *2 增加扫描分辨率将限制最大可扫描区域。
<b>色阶(输入 / 输出)</b>	<b>灰度:</b> 16 位/8 位 <b>彩色:</b> 48 位/24 位(RGB 各 16 位/8 位)

## 网络规格

<b>通讯协议</b>	TCP/IP
<b>无线 LAN</b>	<b>支持的标准:</b> IEEE802.11n / IEEE802.11g / IEEE802.11b <b>频率频宽:</b> 2.4GHz <b>通道:</b> 1-11 或 1-13 * 根据国家或地区, 频率频宽和可用通道有所不同。

	<p><b>通讯距离:</b> 室内 50 米/164 英尺</p> <p>* 根据安装环境和位置, 有效范围有所不同。</p> <p><b>安全:</b></p> <p>WEP(64/128 位)</p> <p>WPA-PSK(TKIP/AES)</p> <p>WPA2-PSK(TKIP/AES)</p> <p><b>设置:</b></p> <p>WPS(单键加密/PIN 编码方法)</p> <p>WCN(WCN-NET)</p> <p>简易无线连接</p> <p><b>其他功能:</b> 管理密码</p>
--	---

## 最低系统要求

如果所用操作系统高于此要求, 即符合操作系统的要求。

### Windows

<b>操作系统</b>	<p>Windows 10、Windows 8.1</p> <p>Windows 7 SP1</p> <p>注释: 只有在预先安装了 Windows 7 或更高版本的计算机上才能保证正常工作。</p> <p>需要 .NET Framework 4.5.2 或 4.6。</p>
<b>硬盘空间</b>	<p>3GB</p> <p>注释: 用于安装随附软件。</p>
<b>显示器</b>	XGA 1024 x 768

### Mac OS

<b>操作系统</b>	OS X v10.10.5 - OS X v10.11、macOS Sierra v10.12
<b>硬盘空间</b>	<p>1.5GB</p> <p>注释: 用于安装随附软件。</p>
<b>显示器</b>	XGA 1024 x 768

### 其他支持的操作系统

<p>iOS、Android、Windows 10 Mobile</p> <p>某些功能在支持的操作系统上可能无法使用。</p> <p>有关详细资料, 请参阅 Canon 网站。</p>
---

## 移动打印功能

Apple AirPrint
Google Cloud Print
PIXMA Cloud Link

- 在 Windows 上安装软件需要连接互联网或使用光盘驱动器。
- 使用 Easy-WebPrint EX 和所有用户指南需要连接互联网。
- Easy-WebPrint EX: 需要 Internet Explorer 8、9、10 和 11\*(适用于 Windows)。
- Windows: 某些功能可能不适用于 Windows Media Center。
- Windows: TWAIN 驱动程序(ScanGear)基于 TWAIN 1.9 规格且需要使用操作系统随附的数据源管理员。
- 在室内网络环境下, 必须打开 5222 端口。有关详细资料, 请联系网络管理员。

## 纸张相关信息

- ▶ 支持的介质类型
  - 纸张装入限量
- ▶ 不支持的介质类型
- ▶ 处理纸张
- ▶ 打印区域



## 支持的介质类型

为获得最佳效果，请选择针对您的打印方式设计的纸张。Canon 提供适合文档以及照片或插图的各种类型的纸张。请尽可能使用 Canon 原装纸张打印重要照片。

### 介质类型

#### Canon 原装纸张

##### ▶▶▶ 注释

- 有关使用不可打印面的警告，请参见每个产品的使用信息。
- 有关页尺寸和介质类型的详细资料，请访问 Canon 网站。
- 某些国家/地区可能不提供 Canon 原装纸张。请注意，在美国，Canon 纸张不按型号销售。请按名称购买纸张。

#### 用于打印文档的纸张：

- Canon Red Label Superior <WOP111>
- Canon Océ Office Colour Paper <SAT213>

#### 用于打印照片的纸张：

- 光面照相纸"Everyday Use" <GP-501/GP-508>
- 光面照相纸 <GP-701/PP-208>
- 高级光面照片纸 II <PP-201>
- 高级光面照片纸 II <PP-301>

#### 用于创建自己的打印件的纸张：

- <PS-108>
- <PS-308R>
- <PS-208>
- <PS-808>

#### 除 Canon 原装纸张以外的纸张

- 普通纸(包括再生纸)

##### ■ 纸张装入限量

##### ■ [打印机驱动程序上的纸张设置](#) (Windows)

##### ▶▶▶ 注释

- 打印保存在兼容 PictBridge(无线 LAN)的设备中的照片时，必须指定页尺寸和介质类型。
  - 从数码相机打印

## 页尺寸

可以使用以下页尺寸。

### ▶▶▶ 注释

- 根据使用的操作系统，打印机支持的页尺寸和介质类型会有所不同。

### 标准尺寸:

- Letter
- Legal
- A4
- B5
- A5
- L(89x127mm)
- KG/10x15cm(4x6)
- 2L/13x18cm(5x7)
- Hagaki
- 正方形 127x127mm 5"x5"

### 特殊尺寸

特殊页尺寸必须在以下范围内:

- 最小尺寸: 89.0 x 127.0 毫米(3.50 x 5.00 英寸)
- 最大尺寸: 215.9 x 676.0 毫米(8.50 x 26.61 英寸)

### 纸张重量

可以使用以下重量范围内的纸张。

- 64 到 105g /m<sup>2</sup>(17 到 28 磅)(除 Canon 原装纸张以外的普通纸)

## 纸张装入限量

### 原装 Canon 纸张

用于打印文档的纸张：

介质名称<型号>	后端托盘	出纸托盘
Canon Red Label Superior <WOP111>	约 60 张	约 10 张
Canon Océ Office Colour Paper <SAT213>	约 50 张	约 10 张

用于打印照片的纸张：

#### 注 释

- 为在连续打印时获得最佳效果，请从出纸托盘中取出已打印的纸张，以免弄脏或变色。

介质名称<型号>	后端托盘	出纸托盘
光面照相纸"Everyday Use" <GP-501/GP-508> <sup>*1</sup>	13 x 18 厘米(5" x 7")、正方形 127 x 127 毫米(5" x 5")：10 张 10 x 15 厘米(4" x 6")：20 张	<sup>*2</sup>
光面照相纸 <GP-701/PP-208> <sup>*1</sup>	13 x 18 厘米(5" x 7")、正方形 127 x 127 毫米(5" x 5")：10 张 10 x 15 厘米(4" x 6")：20 张	<sup>*2</sup>
高级光面照片纸 II <PP-201> <sup>*1</sup>	13 x 18 厘米(5" x 7")、正方形 127 x 127 毫米(5" x 5")：10 张 10 x 15 厘米(4" x 6")：20 张	<sup>*2</sup>
高级光面照片纸 II <PP-301> <sup>*1</sup>	13 x 18 厘米(5" x 7")、正方形 127 x 127 毫米(5" x 5")：10 张 10 x 15 厘米(4" x 6")：20 张	<sup>*2</sup>

用于创建自己的打印件的纸张：

介质名称<型号>	后端托盘	出纸托盘
<ul style="list-style-type: none"> <li>• &lt;PS-108&gt;</li> <li>• &lt;PS-308R&gt;</li> <li>• &lt;PS-208&gt;</li> <li>• &lt;PS-808&gt;</li> </ul>	1 张	<sup>*2</sup>

### 除 Canon 原装纸张以外的纸张

通用名称	后端托盘	出纸托盘
普通纸(包括再生纸) <sup>*3</sup>	约 60 张 (10 张：Legal)	约 10 张

- \*1 装入整叠纸张时，送入纸张时可能会在打印面上留下标记或影响送纸效率。在这种情况下，一次装入一张纸。
- \*2 为在连续打印时获得最佳效果，请从出纸托盘中取出已打印的纸张，以免弄脏或变色。
- \*3 对于某些纸张类型或者在很高或很低的温度或湿度下，纸张可能无法以最大容量正常送入。在这种情况下，请装入一半或更少的纸张数。

## 不支持的介质类型

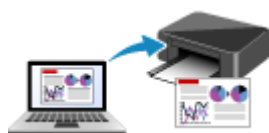
请勿使用以下类型的纸张。使用此类纸张不但打印效果不理想，还会造成打印机卡纸或无法正常工作。

- 折叠的纸张、卷曲的纸张或皱褶的纸张
- 受潮的纸张
- 过薄的纸张[重量少于 64g /m<sup>2</sup>(17 磅)]
- 过厚的纸张[重量超过 105g /m<sup>2</sup>(28 磅)的普通纸，Canon 原装纸张除外]
- 比明信片更薄的纸张，包括剪切为小尺寸的普通纸或记事本纸张(在小于 A5 的纸张上打印时)
- 图片明信片
- 贴有照片或贴条的明信片
- 信封
- 任何类型有孔的纸张
- 非长方形纸张
- 使用钉书钉或胶水等装订的纸张
- 背面具有粘性的纸张(如标签)
- 装饰有发光物等的纸张

## 处理纸张

- 处理任何类型的纸张时，请小心不要磨擦或划伤其表面。
- 尽可能靠近纸张的边缘握住纸张，尽量不要触摸打印面。如果打印面被手上的汗渍或油渍弄脏，可能会降低打印质量。
- 在墨水干透前，请勿触摸打印面。即使墨水已干透，在处理时也请小心尽量不要触摸打印面。由于颜料墨水的特性，打印面上的墨水在受到摩擦或刮擦时可能会脱落。
- 打印前仅从包装中取出所需数量的纸张。
- 为避免卷曲，请在不打印时将未用完的纸张放回包装并将其水平放置保存。存放时也要避免高温、潮湿和阳光直射。

# 打印



从计算机打印



从智能手机/平板电脑打印



从数码相机打印




纸张设置

## 从计算机打印

- ▶ [从应用程序软件打印\(Windows 打印机驱动程序\)](#)
- ▶ [从应用程序软件打印\(AirPrint\)](#)
- ▶ [使用 Canon 应用程序软件打印](#)
- ▶ [使用 Web 服务打印](#)



## 从应用程序软件打印(Windows 打印机驱动程序)

- ▶ **基本打印设置**  **基本**
- ▶ **多种打印方法**
- ▶ **更改打印质量及修正图像数据**
- ▶ **打印机驱动程序概述**
- ▶ **打印机驱动程序描述**
- ▶ **更新 MP Drivers**

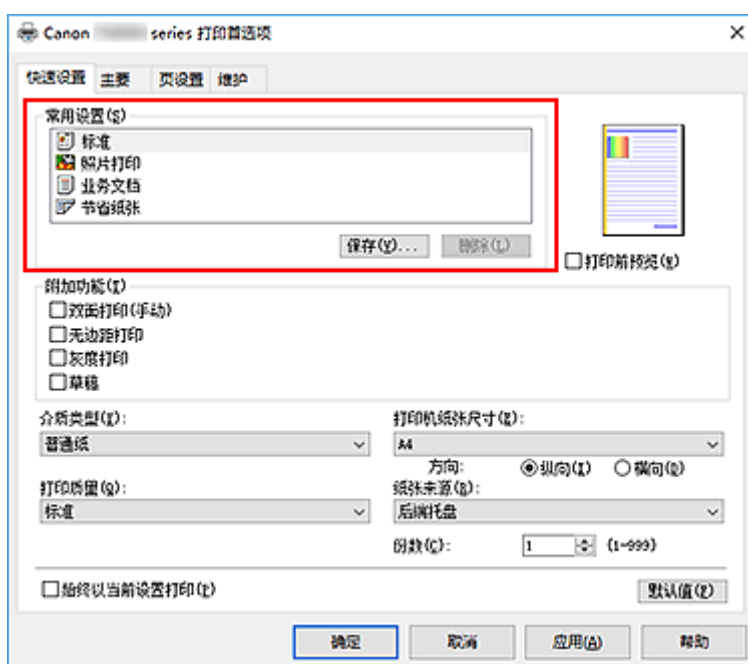
## 基本打印设置

本节描述用于基本打印的[快速设置选项卡](#)的设置。

1. [确认打印机电源是否已开启](#)
2. 在打印机中[装入纸张](#)
3. 打开[打印机驱动程序](#)的设置屏幕
4. 选择常用设置

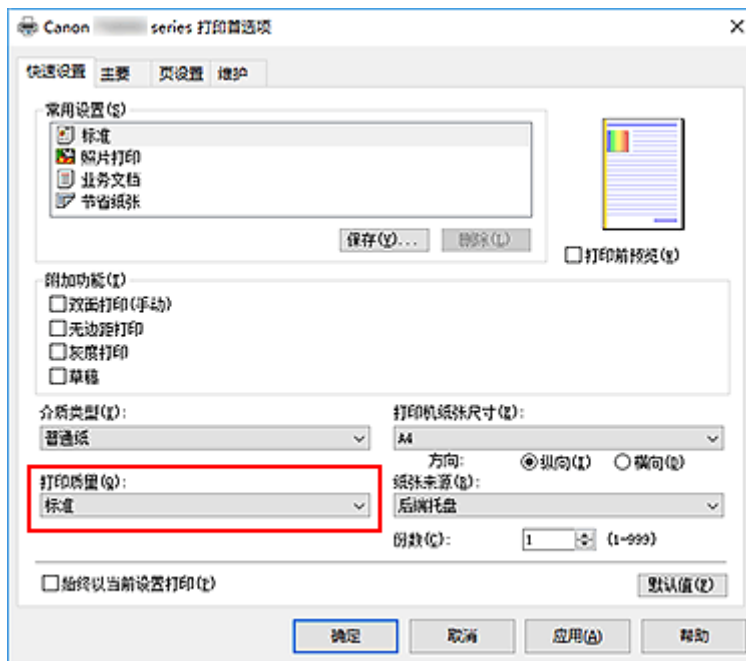
在[快速设置](#)选项卡上，使用[常用设置](#)从预设打印设置中进行选择。

选择打印设置时，[附加功能](#)、[介质类型](#)和[打印机纸张尺寸](#)设置将自动转换为预定设置的值。



5. 选择打印质量

对于[打印质量](#)，请从[高](#)、[标准](#)或[草稿](#)中进行选择。

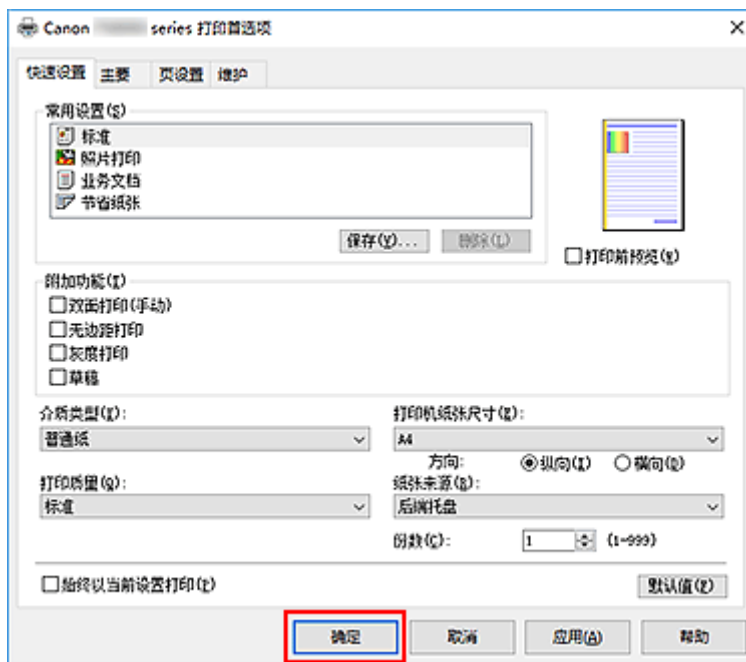


### 重要事项

- 根据选择的打印设置不同，打印质量的选项会有所不同。

## 6. 单击确定

打印机将使用这些设置进行打印。



### 重要事项

- 选择**始终以当前设置打印**时，将保存快速设置、主要和页设置选项卡上的设置，并且这些设置会在后续打印中应用。
- 要**注册当前设置**为新的预设设置，请单击**常用设置**下的**保存...**。

## »» 注释

- 如果打印机驱动程序中的纸张尺寸与打印机上注册的不匹配，可能会出现错误。有关发生错误时的操作说明，请参见“[纸张设置](#)”。

## 打印机驱动程序上的纸张设置

使用打印机时，选择符合打印用途的介质类型有助于获得最佳打印效果。  
本打印机可以使用以下介质类型。

### Canon 原装纸张(文档打印)

介质名称<型号>	打印机驱动程序中的介质类型
Canon Red Label Superior <WOP111>	普通纸
Canon Océ Office Colour Paper <SAT213>	普通纸

### Canon 原装纸张(照片打印)

介质名称<型号>	打印机驱动程序中的介质类型
高级光面照片纸 II <PP-201/PP-301>	高级光面照片纸 II
光面照相纸"Everyday Use" <GP-501>	光面照相纸
光面照相纸 <GP-701>	光面照相纸

### 可购买的纸张

介质名称	打印机驱动程序中的介质类型
普通纸(包括再生纸)	普通纸

## 多种打印方法

- ▶ 设置页尺寸和方向
- ▶ 设置打印份数和打印顺序
- ▶ 执行无边距打印
- ▶ 比例打印
- ▶ 页面布局打印
- ▶ 平铺/海报打印
- ▶ 双面打印
- ▶ 在明信片上打印

## 设置页尺寸和方向

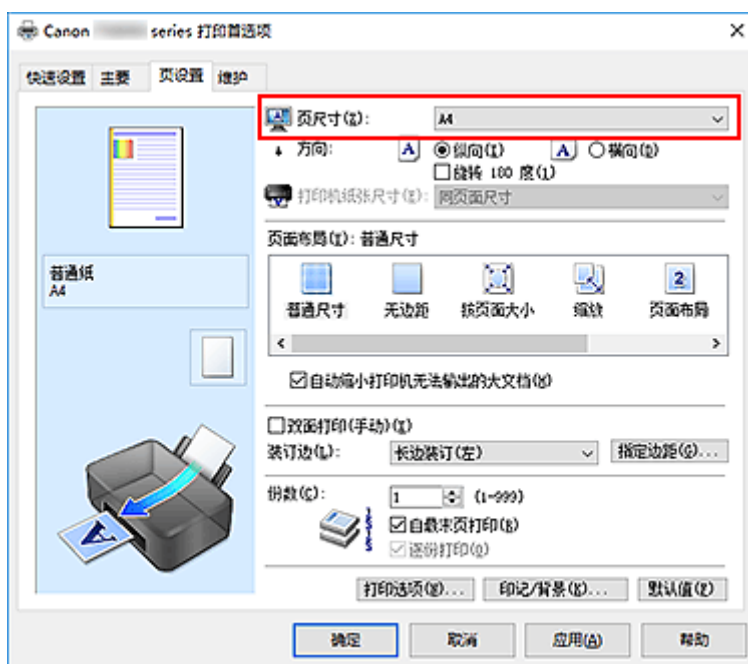
页尺寸和方向主要由应用程序软件决定。当**页设置**选项卡上的**页尺寸和方向**的设置与应用程序软件中的设置一致时，则无需在**页设置**选项卡上进行选择。

当您无法在应用程序软件中指定这些设置时，请按照以下步骤选择页尺寸和方向：  
您也可以在**快速设置**选项卡上设置页尺寸和方向。

### 1. 打开**打印机驱动程序设置窗口**

### 2. 选择纸张尺寸

从**页设置**选项卡上的**页尺寸**列表中选择一种纸张尺寸。



### 3. 设置方向

选择方向为**纵向**或**横向**。当要将原稿旋转 180 度执行打印时，请选中**旋转 180 度**复选框。

### 4. 单击**确定**

当执行打印时，将按照所选的页尺寸和方向打印文档。

## ▶▶▶ 注释

- 如果**页面布局**选择为**普通尺寸**，然后将显示**自动缩小打印机无法输出的大文档**。通常，可以选中复选框。打印过程中，如果不希望减小打印机无法打印的大文档，取消选中该复选框。

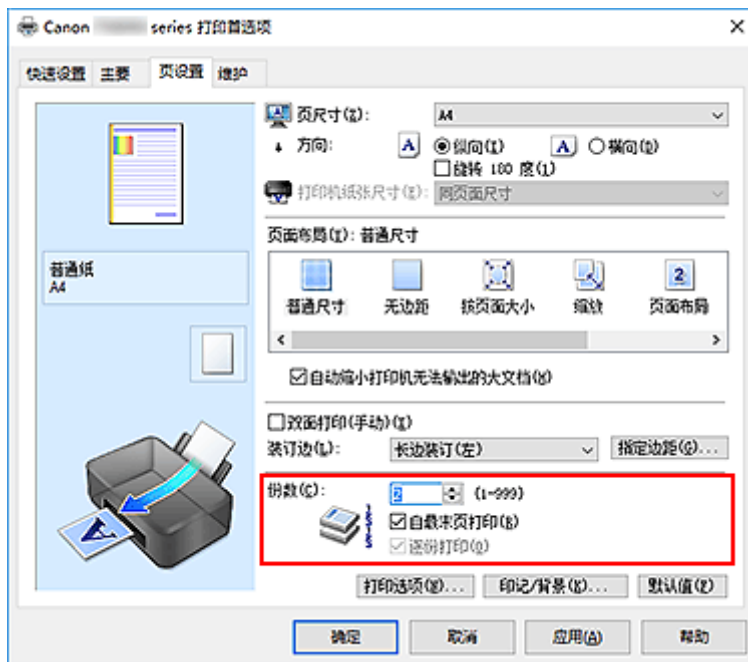
## 设置打印份数和打印顺序

您也可以设置快速设置选项卡上的打印份数。

### 1. 打开[打印机驱动程序设置窗口](#)

### 2. 指定要打印的份数

对于页设置选项卡上的份数，请指定要打印的份数。



### 3. 指定打印顺序

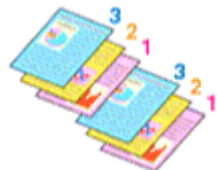
当要按顺序从最末页打印时，请选中**自最末页打印**复选框，但当从首页打印时取消选中该复选框。

当打印一份文档的多份并要集中打印每一个副本的所有页时，请选中**逐份打印**复选框。当要集中打印同一页码的所有副本时不选中该复选框。

- 自最末页打印:  / 逐份打印:

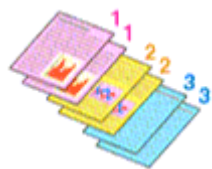


- 自最末页打印:  / 逐份打印:



- 自最末页打印:  / 逐份打印:





- 自最末页打印: /逐份打印:



#### 4. 单击确定

当执行打印时，将按照指定的打印顺序打印指定的份数。

#### 重要事项

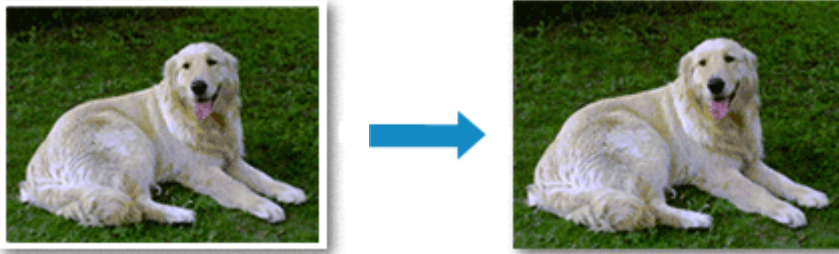
- 当创建文档的应用程序软件具有相同的功能时，请指定打印机驱动程序<sup>1</sup>的设置。然而，如果打印结果不能令人满意，请指定应用程序软件上的功能设置。当同时使用应用程序软件和本打印机驱动程序指定打印份数和打印顺序时，打印份数可能是两个设置的倍数或者指定的打印顺序可能不起作用。
- 当页面布局选择为平铺/海报时，自最末页打印将显示为灰色且不可用。
- 当页面布局选择了书册时，自最末页打印和逐份打印将显示为灰色且无法设置。
- 当选择双面打印(手动)时，自最末页打印显示为灰色且无法设置。

#### 注释

- 同时设置自最末页打印和逐份打印时，可以执行自最末页开始的逐份打印。这些设置可以与普通尺寸、无边距、按页面大小、缩放和页面布局结合起来使用。

## 执行无边距打印

无边距打印功能可以放大数据使其略微超出纸张，从而使打印的数据没有任何边距。在标准打印中将在文档区域周围创建边距。但是，在无边距打印功能中不会创建这些边距。当要使打印数据(如照片)不带任何边距时，请设置无边距打印。

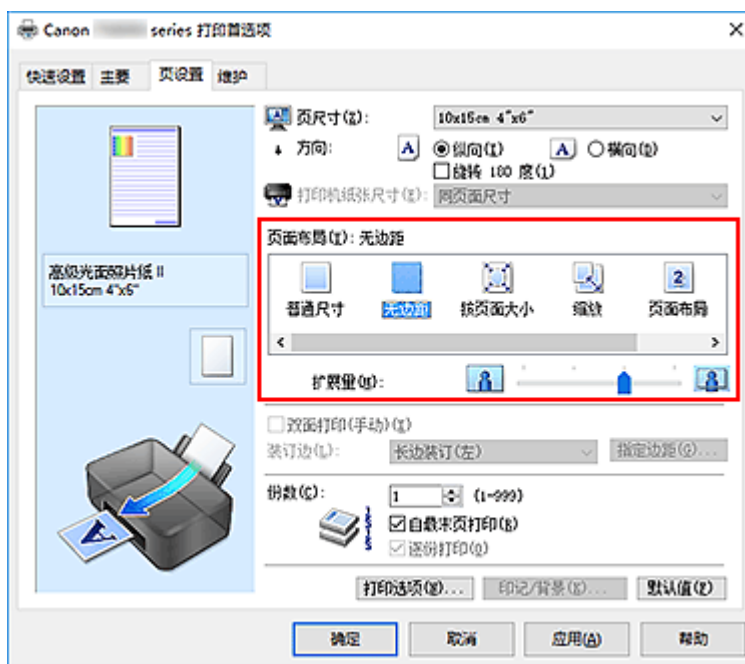


您也可以在快速设置选项卡上的附加功能中设置无边距打印。

## 设置无边距打印

1. 打开[打印机驱动程序设置窗口](#)
2. 设置无边距打印

从页设置选项卡上的页面布局列表中选择无边距。



出现确认信息时，单击**确定**。

出现信息提示您更改介质类型时，请从列表中选择介质类型并单击**确定**。

3. 检查纸张尺寸

检查页尺寸列表。想要更改此项时，请从列表中选择其他页尺寸。列表仅显示适用于无边距打印的尺寸。

#### 4. 调整纸张的扩展量

根据需要，使用**扩展量**滑块调整扩展量。

向右移动滑块增加超出纸张的扩展量，向左移动减少超出纸张的扩展量。

在大多数情况下，建议将滑块调至从右边数第二个位置。



#### 重要事项

- 将**扩展量**滑块调至最右端位置时，纸张背面可能会变脏。

#### 5. 单击确定

当执行打印时，将不在纸张上留有任何边距来打印数据。

#### 重要事项

- 当选择了不适用于无边距打印的页尺寸时，该尺寸将自动更改为适用于无边距打印的页尺寸。
- 当选择了**无边距**时，**页设置**选项卡上的**打印机纸张尺寸**、**双面打印(手动)**、**装订边设置**和**印记/背景...** (**印记...**)按钮将显示为灰色且不可用。
- 从**主要**选项卡上的**介质类型**列表中选择**普通纸**时，无法执行无边距打印。
- 根据无边距打印过程中使用的介质类型，纸张顶部和底部的打印质量可能变差或染污。
- 当纸张的长宽比例不同于图像数据时，根据使用的介质尺寸，可能无法打印部分图像。在这种情况下，根据纸张尺寸使用应用程序软件裁剪图像数据。

### 扩展文档的打印范围

设置较大的扩展量可确保无边距打印顺利执行。然而，无法打印超出纸张范围的文档部分，因此，可能无法打印照片边缘处的物件。

对无边距打印的结果不满意时，请减少扩展量。向左移动**扩展量**滑块减少扩展量。

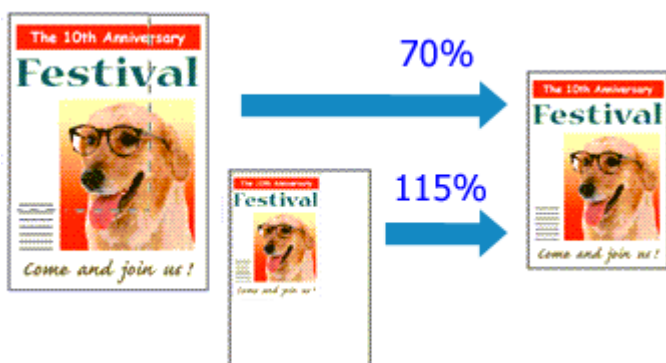
#### 重要事项

- 当减少扩展量时，根据纸张尺寸，打印件上可能会出现多余的边距。

#### 注释

- 当**扩展量**滑块设置在最左端时，将以全尺寸打印图像数据。如果在打印明信片的地址面时设置了该项，则会在正确的位置上打印发送方的邮政编码。
- 当在**打印前预览**选项卡上选中了**主要**时，可以在打印前确认是否没有边距。

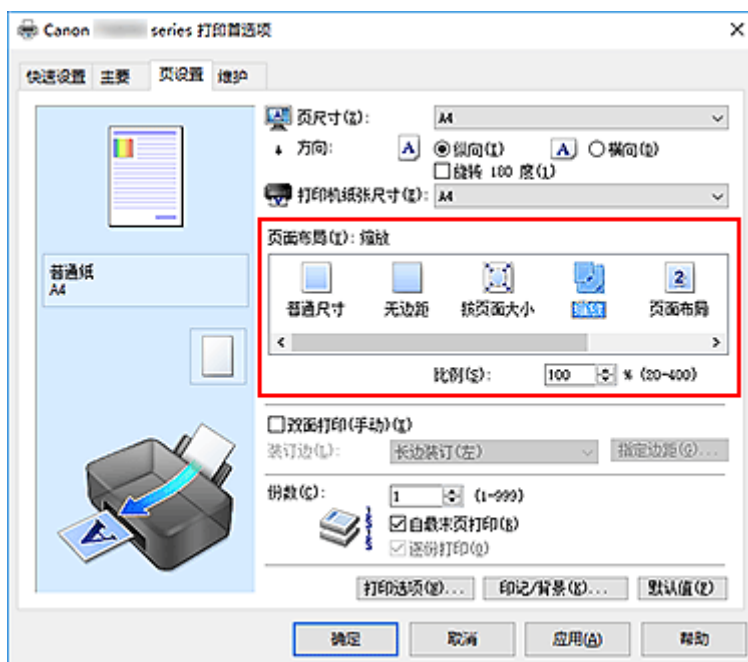
## 比例打印



1. 打开[打印机驱动程序设置窗口](#)

2. 设置比例打印

从[页设置](#)选项卡上的[页面布局](#)列表中选择[缩放](#)。



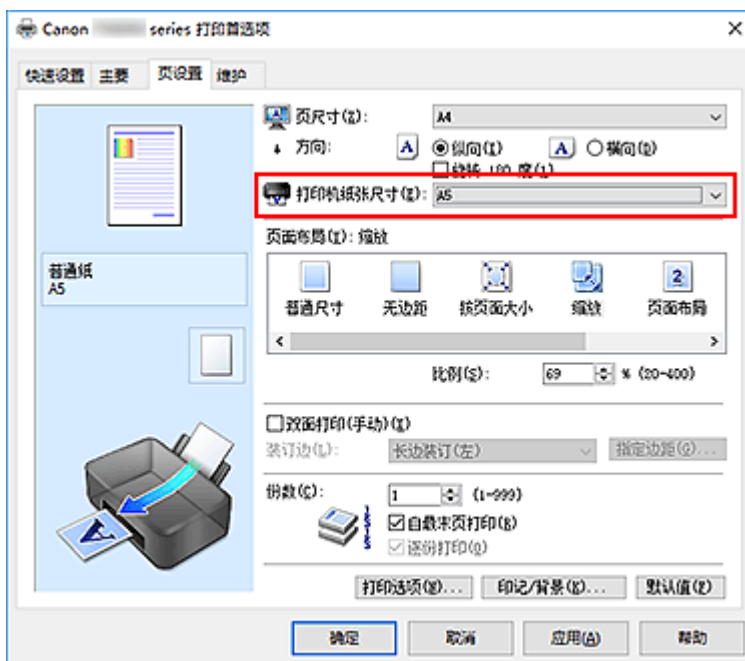
3. 选择文档的纸张尺寸

使用[页尺寸](#)，选择使用应用程序软件设置的页尺寸。

4. 使用以下一种方法设置缩放比例：

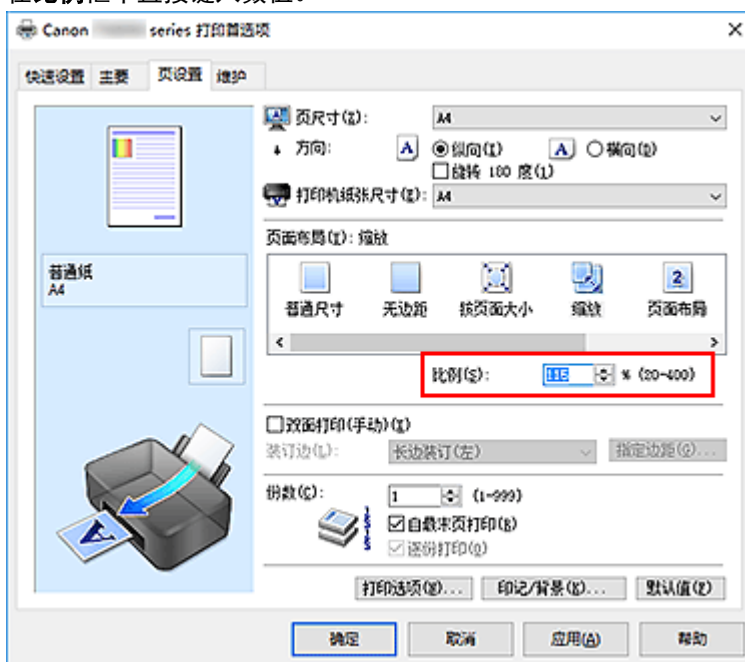
- 选择一种[打印机纸张尺寸](#)

当打印机纸张尺寸小于[页尺寸](#)时，页面图像将被缩小。当打印机纸张尺寸大于[页尺寸](#)时，页面图像将被放大。



- 指定比例因数

在比例框中直接键入数值。



当前设置显示在打印机驱动程序左侧的设置预览中。

## 5. 单击确定

当执行打印时，将以指定的比例打印文档。

### 重要事项

- 当用于创建原稿的应用程序软件具有比例打印功能时，请在该应用程序软件上配置此设置。您无需在打印机驱动程序中配置相同的设置。

## »» 注释

- 选择**缩放**将更改文档的可打印区域。

## 页面布局打印

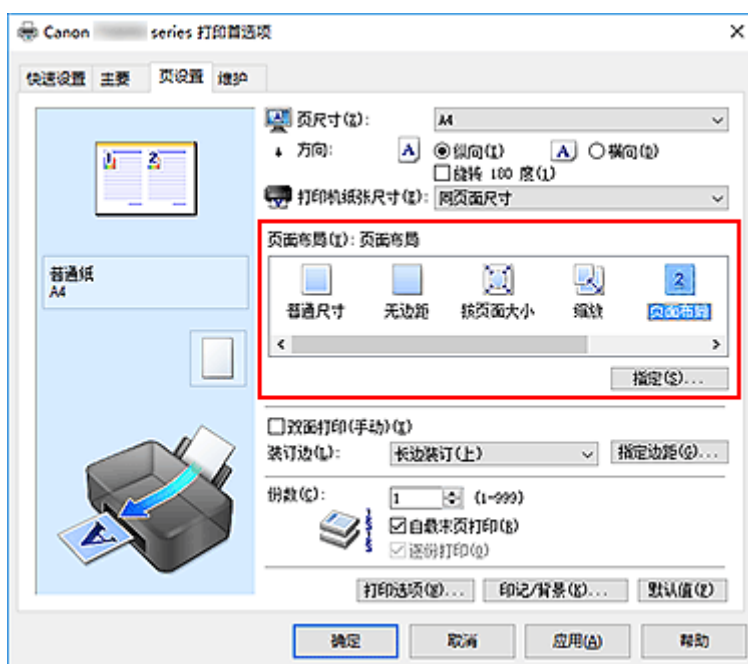
页面布局打印功能可以在一张纸上打印多页图像。



### 1. 打开[打印机驱动程序设置窗口](#)

### 2. 设置页面布局打印

从页设置选项卡上的页面布局列表中选择页面布局。  
当前设置显示在打印机驱动程序左侧的设置预览中。

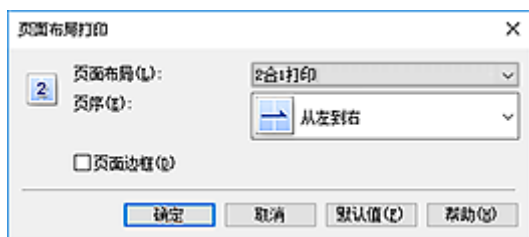


### 3. 选择打印纸张尺寸

从打印机纸张尺寸列表中选择装入打印机的纸张尺寸。

### 4. 设置在单页上要打印的页数和页序

如有必要，单击指定...，在页面布局打印对话框中指定以下设置，然后单击确定。



### 页面布局

要更改在单页纸上的打印份数，请从列表中选择份数。

### 页序

要更改页面排列顺序，请从列表中选择一种放置方法。

### 页面边框

要在各文档页面周围打印页面边框，请选中该复选框。

## 5. 完成设置

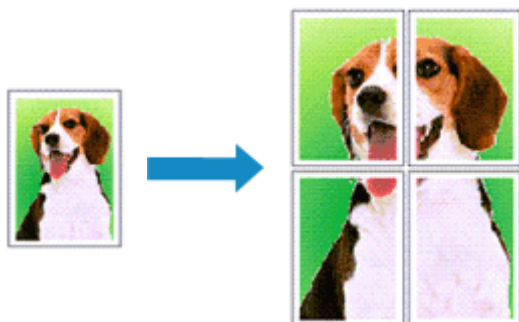
单击**页设置**选项卡上的**确定**。

当执行打印时，将按照指定顺序在每页纸张上排列指定数目的页面。



## 平铺/海报打印

平铺/海报打印功能可以放大图像数据，将放大后的数据分成几页并分别打印在单独的纸张上。可以将多页粘贴在一起制作大型印刷品，如海报。



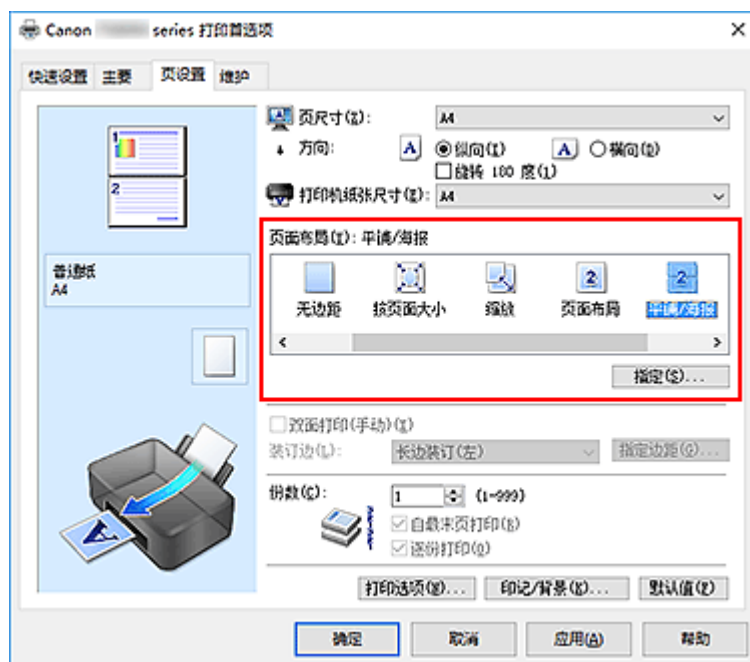
### 设置平铺/海报打印

#### 1. 打开[打印机驱动程序设置窗口](#)

#### 2. 设置平铺/海报打印

从[页设置](#)选项卡上的[页面布局](#)列表中选择[平铺/海报](#)。

当前设置显示在打印机驱动程序左侧的设置预览中。

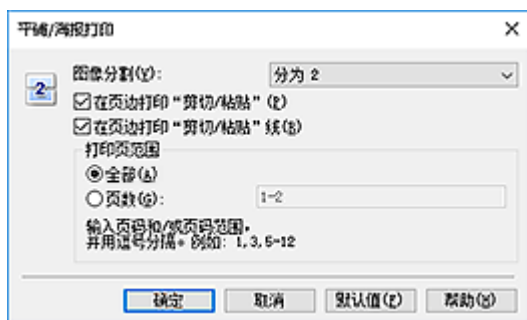


#### 3. 选择打印纸张尺寸

从[打印机纸张尺寸](#)列表中选择装入打印机的纸张尺寸。

#### 4. 设置图像分割和要打印页的数目

如有必要，单击[指定...](#)，在[平铺/海报打印](#)对话框中指定以下设置，然后单击[确定](#)。



## 图像分割

选择分割数目(垂直 x 水平)。

随着分割数目的增加，打印所需的纸张也会增加。如果将多页粘贴在一起制作海报，增加分割数目可以制作大型海报。

## 在页边打印“剪切/粘贴”

要省略“剪切”和“粘贴”文字，不选中该复选框。

### ►► 注释

- 当使用某些打印机驱动程序或操作环境时，该功能可能不可用。

## 在页边打印“剪切/粘贴”线

要省略剪切线，不选中该复选框。

## 打印页范围

指定打印范围。通常情况下选择**全部**。

要仅重新打印指定页面，选择**页数**并输入要打印的页数。要指定多页，请用逗号分隔输入的页码或在页码间输入连字符来输入页数。

### ►► 注释

- 通过单击设置预览中的页面，您也可以指定打印范围。

## 5. 完成设置

单击**页设置**选项卡上的**确定**。

当执行打印时，打印过程中文档将被分割成多个页面。

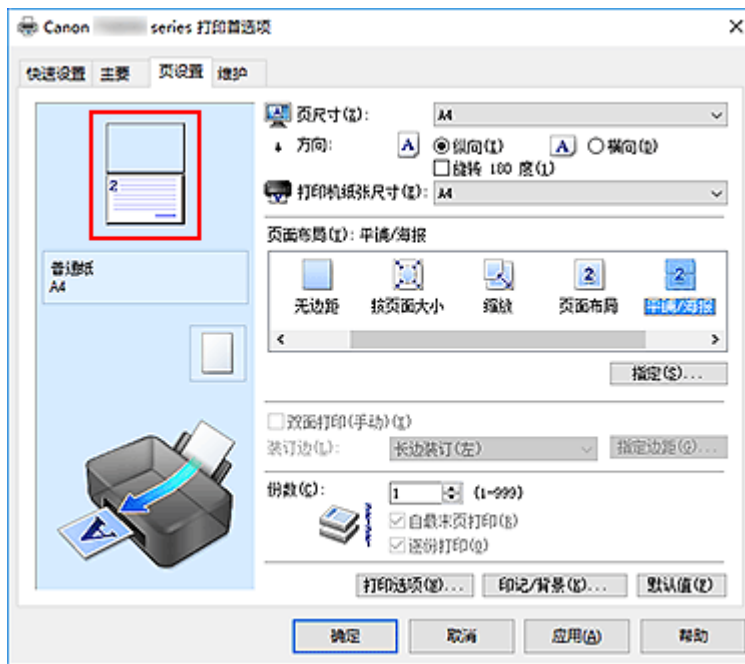
## 仅打印指定页面

如果打印期间墨水变得暗淡或耗尽，您可以仅重新打印指定的页面，步骤如下：

### 1. 设置打印范围

在**页设置**选项卡左侧的设置预览中，单击不需要打印的页面。

将删除被单击的页面，仅显示需要打印的页面。



## 注 释

- 单击已删除的页可再次显示。
- 右键单击设置预览以选择打印所有页或删除所有页。

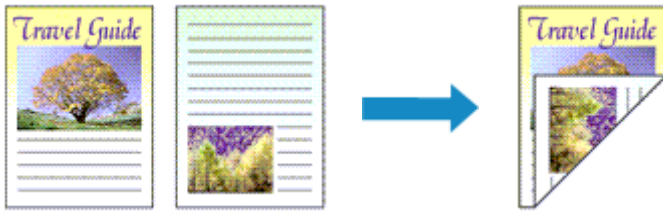
## 2. 完成设置

完成页面选择后，单击**确定**。  
当执行打印时，仅打印指定页。

## 重要事项

- 因为打印时平铺/海报打印使文档放大，打印结果可能变得粗糙。

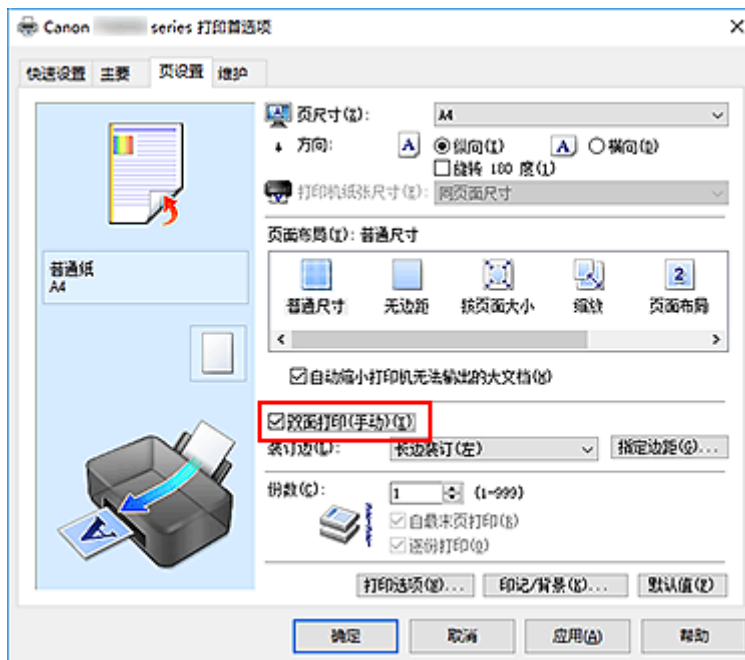
## 双面打印



您也可以设置**快速设置**选项卡上**附加功能**中的双面打印。

1. 打开[打印机驱动程序设置窗口](#)
2. 设置双面打印

在**页设置**选项卡上选中**双面打印(手动)**复选框。



3. 选择布局

从**页面布局**列表中选择**普通尺寸**、**按页面大小**、**缩放**或**页面布局**。

4. 指定装订边

从**方向**和**页面布局**设置自动选择最佳**装订边**。想要更改此设置时，请从列表中选择其他装订边。

5. 设置边距宽度

如有必要，单击**指定边距...**并设置边距的宽度，然后单击**确定**。

6. 完成设置

单击**页设置**选项卡上的**确定**。

当执行打印时，首先在纸张的单面打印文档。打印完一面后，根据信息重新正确装入纸张。

然后单击**开始打印**以打印另一面。

### 重要事项

- 在**主要**选项卡的**介质类型**中选择**普通纸**以外的介质类型时，**双面打印(手动)**显示为灰色且不可用。
- 当从**页面布局**列表选择了**无边距**、**平铺/海报**或**书册**时，**双面打印(手动)**和**装订边**将显示为灰色且不可用。

### 注释

- 如果在双面打印过程中纸张背面变脏，请执行 Canon IJ Printer Assistant Tool 中的**底板清洁**。

### 相关主题

- [清洁打印机内部](#)
- [更改打印机操作模式](#)

## 在明信片上打印

1. 在打印机中[装入明信片](#)

2. 打开[打印机驱动程序设置窗口](#)

3. 选择常用设置

显示**快速设置**选项卡并将**常用设置**选择为**标准**。

4. 选择介质类型

对于**介质类型**，请选择 **Ink Jet Hagaki (A)**、**Ink Jet Hagaki**、**Hagaki K (A)**、**Hagaki K**、**Hagaki (A)**或**Hagaki**。

### 重要事项

- 本打印机无法打印附有照片或贴纸的明信片。
- 分别打印明信片的每一面时，如果先打印信息面，然后再打印地址面，将获得更清晰的打印效果。
- 根据是在地址面打印还是在信息面打印，打印机驱动程序上的纸张设置有所不同。

5. 选择纸张尺寸

对于**打印机纸张尺寸**，选择 **Hagaki 100x148mm**。

6. 设置打印方向

要水平打印地址，请将**方向**设置为**横向**。

7. 选择打印质量

对于**打印质量**，根据用途，请选择**高**或**标准**。

8. 单击**确定**

执行打印时，将在明信片上打印数据。

### 重要事项

- 执行明信片打印时，将显示指南信息。  
显示指南信息时，如果不想显示任何指南信息，选择**不要再次显示该信息**。  
要再次显示指南信息，打开**维护**选项卡并单击**查看打印机状态**以启动 Canon IJ 状态监视器。  
在**选项菜单**上，选择**显示指南信息**并单击 **Hagaki 打印**以启用设置。
- 在明信片以外的其他介质上打印时，根据该介质的使用方法装入介质，然后单击**开始打印**。

## 打印机驱动程序概述

- ▶ **Canon IJ 打印机驱动程序**
  - 打开打印机驱动程序的设置屏幕
- ▶ **Canon IJ 状态监视器**
  - 从计算机检查墨水状态
- ▶ **使用说明(打印机驱动程序)**

# Canon IJ 打印机驱动程序

Canon IJ 打印机驱动程序(以下简称为打印机驱动程序)是安装在计算机上,以便能够与打印机通讯的软件。

打印机驱动程序将应用程序软件所生成的打印数据转换为打印机能够识别的数据,并将转换后的数据发送到打印机。

由于不同的打印机支持不同的数据格式,因此需要支持所用打印机的打印机驱动程序。

## 打印机驱动程序类型

除普通打印机驱动程序外,还可以安装 XPS 打印机驱动程序。

XPS 打印机驱动程序适用于从支持 XPS 打印的应用程序软件打印。

### 重要事项

- 请注意,如果要使用 XPS 打印机驱动程序,则必须同时安装常规打印机驱动程序。

## 安装打印机驱动程序

- 要安装常规打印机驱动程序,请从打印机附带的安装光盘上的**重新开始安装**安装驱动程序。
- 要安装 XPS 打印机驱动程序,请装入打印机附带的安装光盘,然后从**添加软件**中选择 **XPS 驱动程序**。

## 指定打印机驱动程序

要指定打印机驱动程序,打开所使用应用程序软件的**打印**对话框,然后选择“Canon XXX”(“XXX”表示型号名称),以指定常规打印机驱动程序,或选择“Canon XXX XPS”(“XXX”表示型号名称),以指定 XPS 打印机驱动程序。

## 从打印机驱动程序显示手册

要在打印机驱动程序设置屏幕显示设置选项卡的描述,请单击此选项卡上的**帮助**按钮。

## 相关主题

- [打开打印机驱动程序的设置屏幕](#)



## 打开打印机驱动程序的安装屏幕

可以从应用程序软件或通过单击打印机图标显示打印机驱动程序的安装屏幕。

### 从应用程序软件显示打印机驱动程序的安装屏幕

执行此步骤可在打印过程中进行打印设置。

1. 从应用程序软件中选择打印命令  
通常可以在**文件**菜单中找到**打印**命令。
2. 选择打印机型号并单击**首选项(或属性)**

会出现打印机驱动程序的安装屏幕。

#### 注

- 根据所使用的应用程序软件不同，命令和菜单名称以及步骤数目可能会有所不同。有关详细资料，请参阅所用应用程序软件的操作说明。

### 通过单击打印机图标显示打印机驱动程序的安装屏幕

可以从设置屏幕执行打印机维护操作，如打印头清洗，或将打印设置为由所有应用程序软件共享。

1. 选择**控制面板 -> 硬件和声音 -> 设备和打印机**
2. 右键单击所用型号的图标。出现菜单时，请选择**打印首选项**

会出现打印机驱动程序的安装屏幕。

#### 重要事项

- 通过**打印机属性**打开打印机驱动程序设置窗口，会显示有关 Windows 功能的选项卡，如**端口(或高级)**选项卡等。当通过**打印首选项**或应用程序软件打开时，不会出现这些选项卡。有关 Windows 功能选项卡的信息，请参阅 Windows 用户手册。

# Canon IJ 状态监视器

Canon IJ 状态监视器是一个应用程序软件，用于显示打印机状态和打印进程。您将通过图示、图标和信息了解打印机状态。

## 启动 Canon IJ 状态监视器

当打印数据发送到打印机时，Canon IJ 状态监视器将自动启动。启动时，Canon IJ 状态监视器在任务栏上显示为一个按钮。



单击显示在任务栏上的状态监视器按钮。显示 Canon IJ 状态监视器。

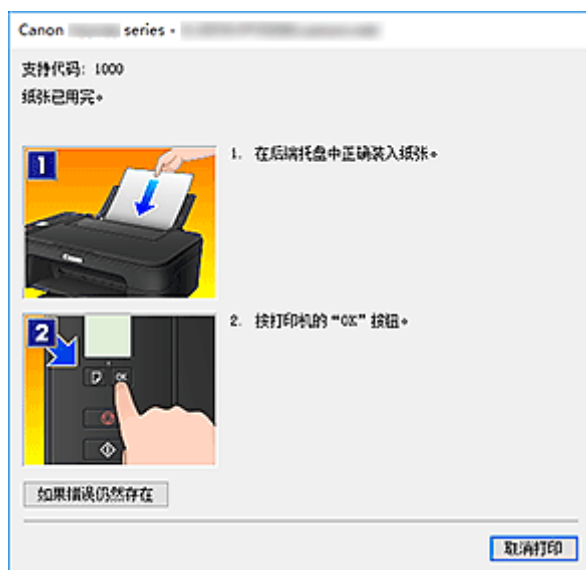


### ►► 注释

- 要在打印机未打印时打开 Canon IJ 状态监视器，请打开[打印机驱动程序设置窗口](#)，并单击**维护**选项卡上的**查看打印机状态**。
- 根据使用打印机时所在的国家或地区，显示在 Canon IJ 状态监视器的信息可能有所不同。

## 出现错误时

如果出现错误(例如，打印机中的纸张用完或墨水不足)，将自动显示 Canon IJ 状态监视器。



在这些情况下，请按照说明采取适当的操作。

## 从计算机检查墨水状态

可以检查剩余墨水量和所用型号的 FINE 墨盒类型。

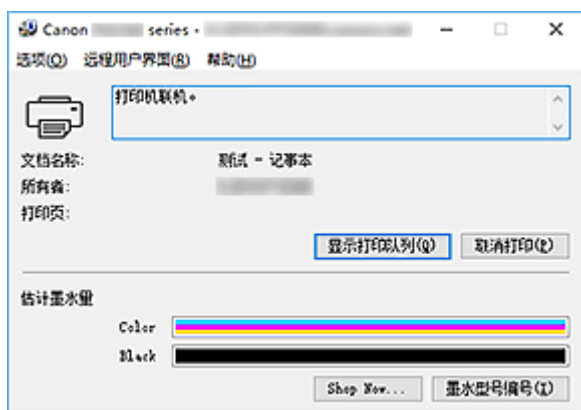
### 1. 打开[打印机驱动程序设置窗口](#)

### 2. 启动 Canon IJ 状态监视器

在**维护**选项卡上，单击**查看打印机状态**。

### 3. 显示估计墨水量

墨水状态如图所示。



## ►► 注释

- 根据使用打印机时所在的国家或地区，显示在 Canon IJ 状态监视器的信息可能有所不同。
- 收到关于剩余墨水量的通知时，墨水图标左侧会显示一个标记。

例如：



墨水量很少。准备一个新墨盒。

## 使用说明(打印机驱动程序)

该打印机驱动程序受以下限制。使用打印机驱动程序，请注意以下几点。

### 关于打印机驱动程序的限制

- 使用某些应用程序，可能无法启用打印机驱动程序**页设置**选项卡中的**份数**设置。在这种情况下，请使用应用程序软件的**打印**对话框中的份数设置。
- 如果**维护**选项卡中的**关于**对话框中选择的**语言**与操作系统界面语言不匹配，则打印机驱动程序设置窗口可能无法正常显示。
- 请勿更改打印机属性的**高级**选项卡项目。如果更改项目，您将无法正常使用以下功能。同样，如果在应用程序软件的**打印**对话框中选择了**打印到文件**，并且使用了禁止 EMF 后台打印的应用程序，如 Adobe Photoshop LE 和 MS Photo Editor，以下功能将不可用。
  - **主要**选项卡上的**打印前预览**
  - **页设置**选项卡上**打印选项**对话框中的**防止打印数据丢失**
  - **页设置**选项卡上的**页面布局**、**平铺/海报**、**书册**、**双面打印(手动)**、**指定边距...**、**自最末页打印**、**逐份打印和印记/背景...(印记...)**
  - **手动色彩调节**对话框中**色彩调整**选项卡上的**打印色彩调整图案**
- 由于预览显示中的分辨率与打印分辨率不同，所以预览显示中的文本和线条可能与实际打印效果不同。
- 使用某些应用程序，打印将分为多个打印作业。要取消打印，请删除所有分散的打印作业。
- 如果没有正确打印图像数据，从**页设置**选项卡中显示**打印选项**对话框并更改**禁用应用程序软件所需的 ICM** 设置。这可能会解决问题。

#### ►► 注释

- 当使用 XPS 打印机驱动程序时，无法使用**禁用应用程序软件所需的 ICM**。

### 使用存在限制的应用程序的注意事项

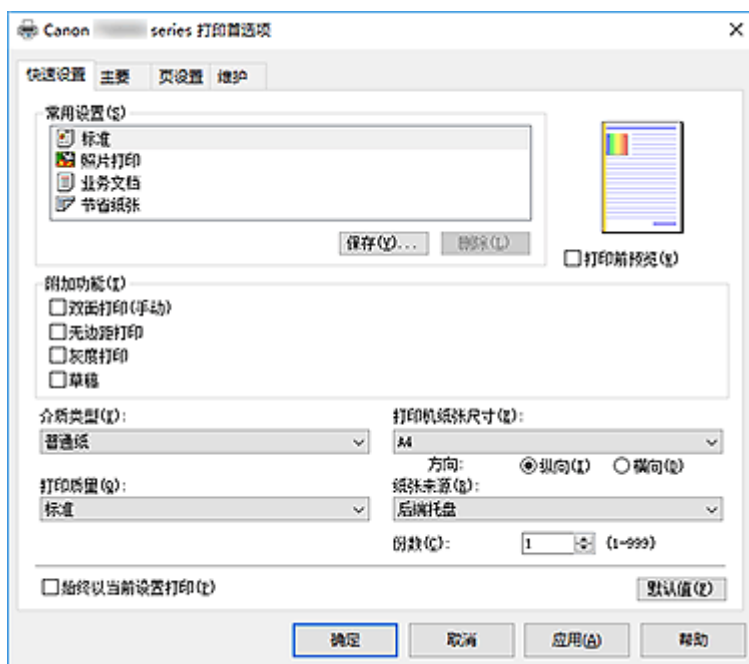
- 在 Microsoft Word (Microsoft Corporation)中存在以下限制。
  - 当 Microsoft Word 具有与打印机驱动程序相同的打印功能时，请使用 Word 指定这些功能。
  - 当为打印机驱动程序的**页设置**选项卡上的**页面布局**选择了**按页面大小**、**缩放**或**页面布局**时，某些 Word 版本的文档可能无法正常打印。
  - Word 中的**页尺寸**设置为“XXX 放大/缩小”时，某些 Word 版本的文档可能无法正常打印。如果发生这种情况，请执行以下步骤。
    1. 打开 Word 的**打印**对话框。
    2. 打开**打印机驱动程序设置窗口**，在**页设置**选项卡上将**页尺寸**设置为与 Word 中所指定尺寸相同的纸张尺寸。
    3. 设置想要的**页面布局**，然后单击**确定**关闭此窗口。
    4. 在没有开始打印的情况下，关闭**打印**对话框。
    5. 再次打开 Word 的**打印**对话框。
    6. 打开打印机驱动程序设置窗口，并单击**确定**。
    7. 开始打印。
- 如果在 Adobe Illustrator (Adobe Systems Incorporated)中启用位图打印，打印时间可能会变长或者某些数据可能无法打印。取消选中**打印**对话框中的**位图打印**复选框，然后执行打印。

## 打印机驱动程序描述

- ▶ [快速设置选项卡描述](#)
- ▶ [主要选项卡描述](#)
- ▶ [页设置选项卡描述](#)
- ▶ [维护选项卡描述](#)
- ▶ [Canon IJ 状态监视器描述](#)

## 快速设置选项卡描述

快速设置选项卡用于注册常用打印设置。选择已注册的设置时，打印机自动转换至预置项目。



### 常用设置

注册常用打印配置文件的名称和图标。根据文档用途选择打印配置文件时，会应用符合用途的设置。

此外，可能对所选打印配置文件有用的功能会显示在**附加功能**中。

也可以更改打印配置文件并使用新名称进行注册。可以删除已注册的打印配置文件。

可以通过拖拽各个配置文件或者在按住 Ctrl 键的同时按向上或向下箭头键重新排列配置文件。

### 标准

这些是出厂设置。

如果从应用程序软件设置了**页尺寸**、**方向**和**份数**，则优先使用那些设置。

### 照片打印

如果在打印照片时选择此设置，将设置通常使用的照片纸和照片尺寸。**无边距打印**复选框会自动选中。

如果从应用程序软件设置了**方向**和**份数**，则优先使用那些设置。

### 业务文档

打印一般文档时选择该设置。

如果从应用程序软件设置了**页尺寸**、**方向**和**份数**，则优先使用那些设置。

### 节省纸张

打印一般文档时选择该设置以节省纸张。**2合1打印**和**双面打印(手动)**复选框会自动选中。

如果从应用程序软件设置了**页尺寸**、**方向**和**份数**，则优先使用那些设置。

## 注

- 为在保存所添加打印配置文件时选择的打印配置文件显示的**附加功能**组合，在选择该添加的打印配置文件时也会显示。

### 保存...

显示**保存常用设置对话框**。

要将**快速设置**、**主要**和**页设置**选项卡中设置的信息保存到**常用设置**时，请单击该按钮。

## 删除

删除已注册的打印配置文件。

选择要从**常用设置**删除的设置名称，并单击**删除**。显示确认信息时，单击**确定**删除指定的打印配置文件。

### 注 释

- 无法删除注册在初始设置中的打印配置文件。

## 设置预览

纸张图示显示了如何在一张纸上布置原稿。

您可以查看整体布局图像。

## 打印前预览

在实际打印数据前显示打印效果。

选中该复选框以在打印前显示预览。

如果不想显示预览，则取消选中该复选框。

### 重要事项

- 要使用 Canon IJ XPS 预览，必须在计算机上安装 Microsoft .NET Framework 4.5.2 或更高版本。

## 附加功能

显示在**快速设置**选项卡上的**常用设置**中选择的打印配置文件的常用便捷功能。

将鼠标指针移动到可以更改的功能附近时，会显示该功能的说明。

要启用该功能，请选中相应的复选框。

对于某些功能，可以从**主要**和**页设置**选项卡设置详细设置。

### 重要事项

- 根据打印配置文件，某些功能可能显示为灰色且无法更改。

## 2 合 1 打印

在一页纸上并排打印两页文档。

要更改页序，请单击**页设置**选项卡，为**页面布局**选择**页面布局**，并单击**指定...**。然后，在出现的**页面布局打印对话框**中指定**页序**。

## 4 合 1 打印

在一页纸上并排打印四页文档。

要更改页序，请单击**页设置**选项卡，为**页面布局**选择**页面布局**，并单击**指定...**。然后，在出现的**页面布局打印对话框**中指定**页序**。

## 双面打印(手动)

选择是在纸张的双面还是单面手动打印文档。

要更改装订边或边距，请从**页设置**选项卡设置新值。

## 无边距打印

执行无边距打印时不在纸张上留有任何边距。

使用无边距打印功能会放大要打印的文档，从而使其略微超出纸张。换句话说，打印的文档没有任何边距。

要调整文档超出纸张的扩展量，请单击**页设置**选项卡，选择**无边距**，然后在**扩展量**中输入数值。

## 灰度打印

当打印文档时，该功能将数据转换为单色数据。

## 草稿

该设置适用于测试打印。

## 旋转 180 度

通过向进纸方向旋转 180 度打印文档。

将在垂直和水平方向上反转其他应用程序软件中配置的打印区域宽度和扩展量。

## 色彩/浓度手动调节

在设置**色彩修正**方法和各项设置时进行选择，如**青色、品红色、黄色、亮度、浓度和对比度**等。

## 介质类型

选择打印纸张的类型。

选择与装入打印机中的纸张相匹配的介质类型。这可确保指定的纸张执行正确打印。

## 打印机纸张尺寸

选择实际装入打印机的纸张尺寸。

通常，根据输出纸张尺寸设置自动设置纸张尺寸，打印文档时不进行缩放。

当在**附加功能**中设置**2 合 1 打印**或**4 合 1 打印**时，可以通过**页设置**选项卡中的**页尺寸**手动设置纸张尺寸。

如果选择的纸张尺寸小于**页尺寸**，则文档尺寸将被缩小。如果选择的纸张尺寸较大，则文档尺寸将被放大。

同样，如果选择**用户定义...**，**用户定义纸张尺寸对话框**将打开，可以指定任何垂直和水平尺寸的纸张尺寸。

## 方向

选择打印方向。

如果用于创建文档的应用程序具有相同的功能，请选择在此应用程序中选择的相同方向。

### 纵向

打印文档，使顶端和底端位置相对于进纸方向没有更改。此为默认设置。

### 横向

通过相对于进纸方向旋转 90 度打印文档。

通过进入 Canon IJ Printer Assistant Tool，打开**用户定义设置**对话框，然后使用**当方向为[横向]时向左旋转 90 度**复选框，可以更改旋转方向。

要在打印时将文档向左旋转 90 度，请选中**当方向为[横向]时向左旋转 90 度**复选框。

## 打印质量

选择所需的打印质量。

选择以下其中一种以设置合乎用途的打印质量级别。

要单独设置打印质量级别，请单击**主要**选项卡，将**打印质量**选择为**用户定义**。**设置...**变为启用。单击**设置...**以打开**用户定义对话框**，然后指定所需设置。

### 高

打印质量优于打印速度。

### 标准

以平均的速度和质量打印。

### 草稿

该设置适用于测试打印。

## 纸张来源

显示供入纸张的来源。

### 后端托盘

一直由后端托盘供纸。

## 份数

指定要打印的份数。可以指定一个从 1 到 999 之间的数值。



## 重要事项

- 当创建文档的应用程序软件具有相同的功能时，请指定打印机驱动程序<sup>1</sup>的设置。然而，如果打印结果不能令人满意，请指定应用程序软件上的功能设置。

### 始终以当前设置打印

从下次执行打印开始以当前设置打印文档。

选择该功能后关闭[打印机驱动程序设置窗口](#)时，将保存在**快速设置**、**主要**和**页设置**选项卡中设置的信息，并且从下次执行打印开始可以使用相同的设置打印。

## 重要事项

- 如果使用其他用户名称登录，启用该功能时所设的设置不会体现在打印设置中。
- 如果在应用程序软件中指定了设置，则优先使用该设置。

### 默认值

将修正中所做的设置恢复至默认状态。

单击该按钮可将**快速设置**、**主要**和**页设置**选项卡上的所有设置恢复为默认值(出厂设置)。

## 保存常用设置对话框

在该对话框上，可以保存**快速设置**、**主要**和**页设置**选项卡中设置的信息，并将这些信息添加到**快速设置**选项卡上的**常用设置**列表中。

### 名称

输入要保存的打印配置文件的名称。

最多可以输入 255 个字符。

该名称及其关联的图标会出现在**快速设置**选项卡上的**常用设置**列表中。

### 选项...

打开[保存常用设置对话框](#)。

更改要保存的打印配置文件的详细信息。

## 保存常用设置对话框

选择要注册到**常用设置**中的打印配置文件的图标，并在打印配置文件中更改要保存的项目。

### 图标

选择要保存的打印配置文件的图标。

所选的图标及其名称会出现在**快速设置**选项卡上的**常用设置**列表中。

### 保存纸张尺寸设置

将纸张尺寸保存到**常用设置**中的打印配置文件。

要在选择打印配置文件时应用保存的纸张尺寸，请选中该复选框。

如果取消选中该复选框，则不保存纸张尺寸，因此选择打印配置文件时不应用纸张尺寸设置。打印机将使用通过应用程序软件指定的纸张尺寸进行打印。

### 保存方向设置

将方向保存到**常用设置**中的打印配置文件。

要在选择打印配置文件时应用保存的打印方向，请选中该复选框。

如果取消选中该复选框，则不保存打印方向，因此选择打印配置文件时不应用**方向**设置。打印机将使用通过应用程序软件指定的打印方向进行打印。

## 保存份数设置

将份数设置保存到常用设置中的打印配置文件。

要在选择打印配置文件时应用保存的份数设置，请选中该复选框。

如果取消选中该复选框，则不保存份数设置，因此选择打印配置文件时不应用份数设置。打印机将使用通过应用程序软件指定的份数设置进行打印。

## 用户定义纸张尺寸对话框

在该对话框上，您可以指定用户定义纸张的尺寸(宽度和高度)。

### 单位

选择用于输入用户定义纸张尺寸的单位。

### 纸张尺寸

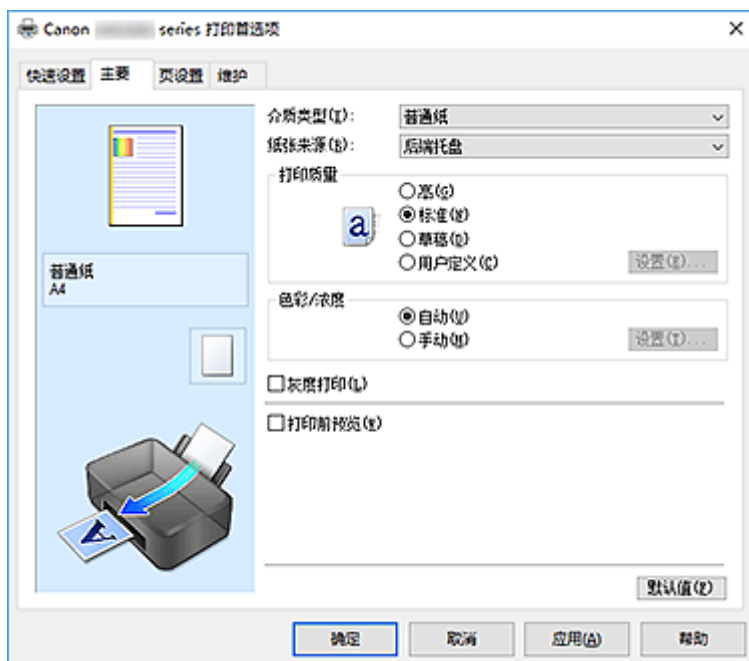
指定用户定义纸张的宽度和高度。根据单位中指定的单位显示测量。

## 相关主题

- [基本打印设置](#)
- [设置页尺寸和方向](#)
- [设置打印份数和打印顺序](#)
- [执行无边距打印](#)
- [双面打印](#)
- [在明信片上打印](#)
- 打印前显示打印效果
- 设置纸张尺寸(用户定义尺寸)
- 用单色打印彩色文档
- 指定色彩修正
- 调整色彩平衡
- 使用样本图案调整色彩平衡(打印机驱动程序)
- 调节亮度
- 调节浓度
- 调节对比度
- 使用样本图案调整浓度/对比度(打印机驱动程序)
- [注册常用打印配置文件](#)

## 主要选项卡描述

在**主要**选项卡上，可以根据介质类型创建基本打印设置。除非要求进行特殊打印，否则仅需在该选项卡上设置各项目即可执行常规打印。



### 设置预览

纸张图示显示了如何在一张纸上布置原稿。

您可以查看整体布局图像。

### 介质类型

选择打印纸张的类型。

选择与装入打印机中的纸张相匹配的介质类型。这可确保指定的纸张执行正确打印。

### 纸张来源

显示供入纸张的来源。

#### 后端托盘

一直由后端托盘供纸。

### 打印质量

选择所需的打印质量。

选择以下其中一种以设置合乎用途的打印质量级别。

#### 重要事项

- 根据**介质类型**设置，即使更改**打印质量**，可能也会产生相同的打印效果。

#### 高

打印质量优于打印速度。

#### 标准

以平均的速度和质量打印。

#### 草稿

该设置适用于测试打印。

## 用户定义

当要分别设置打印质量级别时选择该项。

### 设置...

将**打印质量**选择为**用户定义**以启用此按钮。

打开**用户定义对话框**。然后您可以分别设置打印质量级别。

## 色彩/浓度

选择色彩调整方法。

### 自动

自动调整**青色、品红色、黄色、亮度、浓度和对比度**等。

### 手动

在设置各项设置(如**青色、品红色、黄色、亮度、浓度和对比度**等以及**色彩修正方法**)时选择。

### 设置...

将**色彩/浓度**选择为**手动**以启用该按钮。

在**手动色彩调节对话框**中，可以调整**色彩调整选项卡**上的各项色彩设置，如**青色、品红色、黄色、亮度、浓度和对比度**，并选择**匹配选项卡**上的**色彩修正方法**。

### ►► 注释

- 如果想使用 ICC 配置文件调整色彩，请使用**手动色彩调节对话框**以设置此配置文件。

## 灰度打印

当打印文档时，该功能将数据转换为单色数据。

选中该复选框以单色打印彩色文档。

## 打印前预览

在实际打印数据前显示打印效果。

选中该复选框以在打印前显示预览。

### ►► 重要事项

- 要使用 Canon IJ XPS 预览，必须在计算机上安装 Microsoft .NET Framework 4.5.2 或更高版本。

## 默认值

将修正中所做的设置恢复至默认状态。

单击此按钮会将当前屏幕上的所有设置恢复为默认值(出厂设置)。

## 用户定义对话框

设置质量级别并选择所需的打印质量。

### 质量

可以使用滑动条来调整打印质量级别。

### ►► 重要事项

- 根据**介质类型**的设置，可能无法选择某些打印质量级别。

### ►► 注释

- 使用滑动条可以设置**高、标准或草稿**打印质量模式。因此，移动滑动条时，左侧会显示相应的质量和数值。此操作与**主要选项卡**上的**打印质量**选择为相应的单选按钮时获得的效果相同。

## 色彩调整选项卡

在此选项卡上，可以更改青色、品红色、黄色、亮度、浓度和对比度选项的设置，从而调整色彩平衡。

### 预览

显示色彩调节的效果。

调整各项目时，色彩和亮度将会改变。

#### 注 释

- 当选中灰度打印复选框时，图形以单色显示。

### 查看彩色图案

显示一个图案以查看色彩调节带来的颜色变更。

如果要以一种色彩图案显示预览图像，请选中该复选框。

### 青色/品红色/黄色

调整青色、品红色和黄色的强度。

向右移动滑块将使色彩更深，向左移动滑块将使色彩更浅。

也可以直接输入与滑块关联的数值。输入从-50 到 50 范围内的数值。

此调整可更改各色彩使用的相对墨水量，而墨水量可改变文档的整体色彩平衡。如果想有效地更改整体色彩平衡，请使用应用程序。仅当要细微调整色彩平衡，请使用打印机驱动程序。

#### 重 要 事 项

- 当选中主要选项卡上的灰度打印复选框时，青色、品红色和黄色将显示为灰色且不可用。

### 亮度

选择打印的亮度。

您无法更改纯白色和纯黑色水平。但是，可以更改白色和黑色之间色彩的对比度。

### 浓度

调整打印的整体浓度。

向右移动滑块将增加浓度，向左移动将减少浓度。

也可以直接输入与滑块关联的数值。输入从-50 到 50 范围内的数值。

### 对比度

调整要打印图像中明暗之间的对比度。

向右移动滑块将增加对比度，向左移动滑块将减少对比度。

也可以直接输入与滑块关联的数值。输入从-50 到 50 范围内的数值。

### 打印色彩调整的图案

更改色彩平衡或浓度/对比度时，图案打印功能将打印调整结果和调整值的列表。

打印色彩调整的图案时，选择该功能。

### 图案打印自定格式...

选中打印色彩调整图案以启用该按钮。

[图案打印对话框](#)将打开，可以设置图案打印设置。

## 图案打印对话框

执行可打印用于检查文档色彩平衡和浓度/对比度的图案的设置。

### 调整参数

选择要通过图案打印检查的项目。

### 青色/品红色/黄色

打印可以用于检查青色/品红色/黄色平衡的图案。

#### 重要事项

- 当选中主要选项卡上的灰度打印时，青色/品红色/黄色将显示为灰色且不可用。

### 浓度/对比度

打印可以用于检查浓度/对比度平衡的图案。

### 打印机纸张尺寸

选择要用于图案打印的纸张尺寸。

此设置连接页设置选项卡上的打印机纸张尺寸。

#### 注释

- 根据页设置选项卡上选择的纸张尺寸，有些尺寸可能无法选择。

### 图案示例数量

设置要打印图案的数量。

可以从最大、大和小中进行选择。选择图案尺寸时，可以打印的图案数量如下：

#### 注释

- 选择某些纸张尺寸或输出纸张尺寸时，不能选择最大和大。
- 主要选项卡上的设置预览显示的图像可以查看整体布局。

#### 最大

青色/品红色/黄色 37

浓度/对比度 49

#### 大

青色/品红色/黄色 19

浓度/对比度 25

#### 小

青色/品红色/黄色 7

浓度/对比度 9

### 示例间的颜色变化

设置相邻图案之间的色彩更改量。

可以从大、中和小中进行选择。大产生大量更改，小产生少量更改。

#### 注释

- 大约是中大小的两倍，小约是中大小的一半。

## 匹配选项卡

可以选择调整色彩的方法以便与要打印文档的类型匹配。

### 色彩修正

可以选择驱动校正、ICM(ICC 配置文件校正)或无以符合打印操作的用途。

#### 重要事项

- 当选中主要选项卡上的灰度打印时，色彩修正将显示为灰色且不可用。

## 驱动校正

通过使用 Canon 数码照片色彩，可以使用大众喜爱的色彩打印 sRGB 数据。

## ICM(ICC 配置文件校正)

打印时通过使用 ICC 配置文件调整色彩。

### 重要事项

- 如果设置应用程序软件以便禁用 ICM，则**色彩修正**中的 **ICM(ICC 配置文件校正)**不可用并且打印机可能无法正确打印图像数据。

## 无

使用打印机驱动程序禁用色彩调整。

### 注释

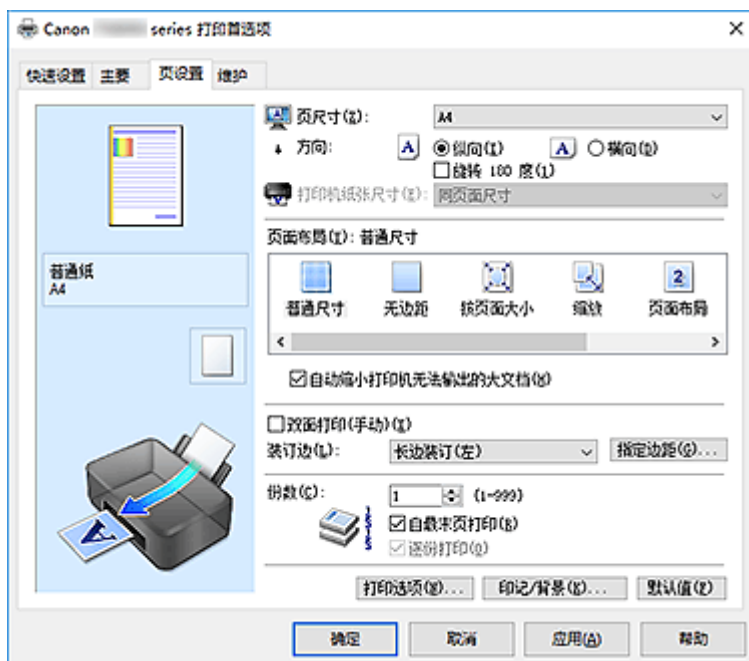
- 在 XPS 打印机驱动程序中，**ICM** 已变为 **ICC 配置文件校正**。

## 相关主题

- 设置打印质量级别(用户定义)
- 调整色彩平衡
- 调节亮度
- 调节浓度
- 调节对比度
- 使用样本图案调整色彩平衡(打印机驱动程序)
- 使用样本图案调整浓度/对比度(打印机驱动程序)
- 指定色彩修正
- 使用打印机驱动程序调整色彩
- 使用 ICC 配置文件进行打印
- 用单色打印彩色文档
- 打印前显示打印效果

## 页设置选项卡描述

页设置选项卡还允许您决定如何在纸张上排列文档。还可以通过此选项卡设置打印的份数和顺序。如果创建文档的应用程序具有类似的功能，请使用该应用程序进行设置。



### 设置预览

纸张图示显示了如何在一张纸上布置原稿。

您可以查看整体布局图像。

### 页尺寸

选择页尺寸。

确保选择与在应用程序中所选择尺寸相同的页尺寸。

如果选择用户定义...，[用户定义纸张尺寸对话框](#)将打开，可以指定任何垂直和水平尺寸的纸张尺寸。

### 方向

选择打印方向。

如果用于创建文档的应用程序具有相同的功能，请选择在此应用程序中选择的相同方向。

#### 纵向

打印文档，使顶端和底端位置相对于进纸方向没有更改。此为默认设置。

#### 横向

通过相对于进纸方向旋转 90 度打印文档。

通过进入 Canon IJ Printer Assistant Tool，打开[用户定义设置对话框](#)，然后使用**当方向为[横向]时向左旋转 90 度**复选框，可以更改旋转方向。

要在打印时将文档向左旋转 90 度，请选中**当方向为[横向]时向左旋转 90 度**复选框。

### 旋转 180 度

通过向进纸方向旋转 180 度打印文档。

将在垂直和水平方向上反转其他应用程序软件中配置的打印区域宽度和扩展量。

### 打印机纸张尺寸

选择实际装入打印机的纸张尺寸。

默认设置为**同页面尺寸**以执行普通尺寸打印。

将**页面布局**选择为**按页面大小**、**缩放**、**页面布局**、**平铺/海报**或**书册**时，可以选择打印机纸张尺寸。



如果选择的纸张尺寸小于页尺寸，则文档尺寸将被缩小。如果选择的纸张尺寸较大，则文档尺寸将被放大。

同样，如果选择用户定义...，[用户定义纸张尺寸对话框](#)将打开，可以指定任何垂直和水平尺寸的纸张尺寸。

## 页面布局

选中待打印文档的尺寸和打印类型。

### 普通尺寸

此为普通打印方法。当未指定任何页面布局时选择该项。

#### 自动缩小打印机无法输出的大文档

如果打印机无法打印文档的纸张尺寸，则打印机可以在打印文档时自动缩小尺寸。

选中该复选框以在打印文档时缩小尺寸。

### 无边距

选择无边距整页上还是带边距整页上打印。

如果使用无边距打印，原稿会被放大且略微超出纸张。这样可以执行无边距(边框)打印。

进行无边距打印时，使用**扩展量**来调整文档超出纸张的扩展量。

#### 扩展量

进行无边距打印时，调整文档超出纸张的扩展量。

向右移动滑块可增加扩展量并确保无边距打印顺利执行。

向左移动滑块可减少扩展量并扩大文档的打印范围。

### 按页面大小

利用该功能可以自动放大或缩小文档以适合打印机中装入的纸张尺寸，而无需更改在应用程序软件中指定的纸张尺寸。

### 缩放

可以放大或缩小要打印的文档。

在**打印机纸张尺寸**中指定尺寸，或在**比例**对话框中输入缩放比例。

#### 比例

为要打印的文档指定放大或缩小比例。

### 页面布局

可以在一张纸上打印多页文档。

#### 指定...

打开[页面布局打印对话框](#)。

单击此按钮以设置有关页面布局打印的详细资料。

### 平铺/海报

利用此功能可以放大图像数据并将放大的数据分割成要打印的若干页面。还可以将这些纸张用胶水粘在一起制作大型印刷品，如海报。

#### 指定...

打开[平铺/海报打印对话框](#)。

单击此按钮以设置有关平铺/海报打印的详细资料。

### 书册

书册打印功能可以将数据打印成册。将在纸张的双面打印数据。此打印类型可以确保将打印好的纸张沿中心对折并装订时，能够按照页码顺序正确分页。

#### 指定...

打开[书册打印对话框](#)。

单击此按钮以设置有关书册打印的详细资料。

## 双面打印(手动)

选择是在纸张的双面还是单面手动打印文档。

选中该复选框以在双面打印文档。

只有**介质类型**选择为**普通纸**，且选择**普通尺寸**、**按页面大小**、**缩放**或**页面布局**中的一项时，才可以使用该功能。

## 装订边

选择装订边位置。

打印机将分析**方向**和**页面布局**设置，并自动选择最佳装订边位置。选中**装订边**，并从列表中选择以进行更改。

## 指定边距...

打开**指定边距对话框**。

可以指定边距的宽度。

## 份数

指定要打印的份数。可以指定一个从 1 到 999 之间的数值。

### 重要事项

- 如果用于创建文档的应用程序具有类似功能，请使用该应用程序指定份数，而不要在此处指定。

## 自末页打印

要从末页开始打印，请选中该复选框。如果选中该复选框，则无需在打印后将页面排序为正确顺序。取消选中该复选框可按正常顺序从第一页开始打印文档。

## 逐份打印

当要打印多个副本时，选中该复选框可将各副本的页面组合在一起。

如果要在打印时将同一页码的所有副本组合在一起，请取消选中该复选框。

### 重要事项

- 当创建文档的应用程序软件具有相同的功能时，优先使用打印机驱动程序设置。然而，如果打印结果不能令人满意，请指定应用程序软件上的功能设置。当同时使用应用程序和本打印机驱动程序指定打印份数和打印顺序时，打印份数可能是两个设置的倍数或者指定的打印顺序可能不起作用。

## 打印选项...

打开**打印选项对话框**。

为打印从应用程序发送的打印数据而更改详细的打印机驱动程序设置。

## 印记/背景...(印记...)

打开**印记/背景(印记)对话框**。

**印记**功能可以在文档数据之上或之下打印印记文本或位图。该功能可以打印日期、时间和用户名称。**背景**功能可以在文档数据之下打印浅色的图案。

### 注释

- 使用 XPS 打印机驱动程序，**印记/背景...**按钮变为**印记...**按钮，仅印记功能可用。

根据正在使用的打印机驱动程序类型和环境，**印记**和**背景**可能不可用。

## 用户定义纸张尺寸对话框

在该对话框上，您可以指定用户定义纸张的尺寸(宽度和高度)。

## 单位

选择用于输入用户定义纸张尺寸的单位。

## 纸张尺寸

指定用户定义纸张的**宽度**和**高度**。根据**单位**中指定的单位显示测量。

## 页面布局打印对话框

在该对话框上，您可以选择要在一张纸上放置的文档数量、页面顺序以及是否在各文档页面周围打印页面边框线。

可以在打印机驱动程序的设置预览中确认在此对话框中指定的设置。

### 预览图标

显示**页面布局打印**对话框中的设置。

可以在实际打印数据前查看打印效果。

### 页面布局

指定要充满整个页面的文档页数。

### 页序

指定在一张纸上打印的文档方向。

### 页面边框

在各文档页面周围打印页面边框线。

选中该复选框以打印页面边框线。

## 平铺/海报打印对话框

在该对话框上，您可以选择要打印图像的尺寸。还可以对剪切线和粘贴标记进行设置，以便将多个页面粘贴到一张海报中。

可以在打印机驱动程序的设置预览中确认在此对话框中指定的设置。

### 预览图标

显示**平铺/海报打印**对话框的设置。

您可以查看打印效果。

### 图像分割

选择分割数目(垂直 x 水平)。

随着分割数目的增加，打印所需的纸张也会增加。如果将多页粘贴在一起制作海报，增加分割数目可以制作大型海报。

### 在页边打印“剪切/粘贴”

指定是否在边距上打印“剪切”和“粘贴”文字。这些文字可以在将多个页面粘贴到一张海报中时作为指南。

选中该复选框以打印文字。

### ►►► 注释

- 根据正在使用的打印机驱动程序类型和环境，该功能可能不可用。

### 在页边打印“剪切/粘贴”线

指定是否打印可在将多个页面粘贴到一张海报中时作为指南的剪切线。

选中该复选框以打印剪切线。

## 打印页范围

指定打印范围。通常情况下选择**全部**。

选择**页数**以指定特定页面或范围。

### »» 注释

- 如果部分页面的打印效果不好，则通过在**页设置**选项卡的设置预览中单击指定不需要打印的页面。此次将只打印屏幕上显示的页面。

## 书册打印对话框

在该对话框上，您可以设置如何将文档装订为书册。还可以在此对话框中设置仅在一面打印以及打印页面边框。

可以在打印机驱动程序的设置预览中确认在此对话框中指定的设置。

### 预览图标

显示在**书册打印**对话框中所做的设置。

您可以在打印为书册时查看文档效果。

### 装订边

指定书册装订面。

### 插入空白页

选择是在书册的单面还是双面打印文档。

选中该复选框以在书册的单面打印文档并从列表中选择保留为空白的一面。

### 边距

指定装订边的宽度。

从纸张的中心算起，该指定宽度为装订边。

### 页面边框

在各文档页面周围打印页面边框线。

选中该复选框以打印页面边框线。

## 指定边距对话框

在该对话框上，可以指定装订边的边距宽度。如果文档不适合在一页上打印，打印时将缩小文档。

### 边距

指定装订边的宽度。

通过**装订边**指定的页边宽度将成为装订边距。

## 打印选项对话框

更改设置以打印发送到打印机的数据。

根据正在使用的打印机驱动程序类型和环境，该功能可能不可用。

### 禁用应用程序软件所需的 ICM

禁用应用程序软件所需的 ICM 功能。

当应用程序软件使用 Windows ICM 打印数据时，可能会产生非所需色彩或者打印速度可能变慢。如果出现这些问题，选中该复选框可能会解决问题。

### ▶▶▶ 重要事项

- 在正常情况下取消选中该复选框。
- 当**手动色彩调节**对话框中**匹配**选项卡中的**色彩修正**选择为**ICM**时，无法使用该功能。

### ▶▶▶ 注释

- **禁用应用程序软件所需的 ICM** 选项卡无法用于 XPS 打印机驱动程序。

#### 禁用应用程序软件的色彩配置文件设置

选中该复选框会禁用应用程序软件中设置色彩配置文件中的信息。

当应用程序软件中设置色彩配置文件中的信息输出到打印机驱动程序时，打印结果可能包含非所需色彩。如果发生这种情况，选中该复选框可能会解决问题。

### ▶▶▶ 重要事项

- 即使选中该复选框，也仅会禁用色彩配置文件中的某些信息，色彩配置文件仍可用于打印。
- 在正常情况下取消选中该复选框。

#### 取消纸张组合

设置**介质类型**、**页尺寸**和**打印机纸张尺寸**的显示方式。

要分别显示项目，请选中该复选框。

要按组显示项目，请清除该复选框。

#### 不允许应用程序软件压缩打印数据

禁止压缩应用程序软件打印数据。

如果打印结果中有图像数据缺失或非所需色彩，选中该复选框可能会改善情况。

### ▶▶▶ 重要事项

- 在正常情况下取消选中该复选框。

### ▶▶▶ 注释

- **不允许应用程序软件压缩打印数据**选项卡无法用于 XPS 打印机驱动程序。

#### 逐页创建打印数据后打印

以页为单位创建打印数据，并且在处理完每一页打印数据后开始打印。

如果打印的文档包含条纹等非所需结果，选中该复选框可能会改善结果。

### ▶▶▶ 重要事项

- 在正常情况下取消选中该复选框。

#### 使用最邻近插值算法缩放图像

如果图像将在打印时放大或缩小，打印机会使用简单插值处理放大或缩小图像。

如果打印文档中的图像数据未清晰打印，选中该复选框可能会改善结果。

### ▶▶▶ 重要事项

- 在正常情况下取消选中该复选框。

### ▶▶▶ 注释

- **使用最邻近插值算法缩放图像**仅能用于 XPS 打印机驱动程序。

## 防止打印数据丢失

可以缩小应用程序软件创建的打印数据的大小，然后打印这些数据。

根据所使用的应用程序软件，图像数据可能会被裁切或可能无法正确打印。在这种情况下，请选择**开**。如果不使用该功能，请选择**关**。

### 重要事项

- 当使用该功能时，根据打印数据，打印质量可能会下降。

## 打印数据处理单元

选择要发送到打印机的打印数据处理单元。

通常情况下选择**推荐**。

### 重要事项

- 某些设置可能会使用大量内存。  
如果所用计算机只有少量内存，请勿更改该设置。

### 注释

- 打印数据处理单元选项卡无法用于 XPS 打印机驱动程序。

## 用于打印的墨水

从已安装的 FINE 墨盒中指定要使用的 FINE 墨盒。

从**所有颜色(默认)**、**仅彩色**、**仅黑色**中进行选择。

### 重要事项

- 指定以下设置时，**仅黑色**不起作用，因为打印机使用彩色 FINE 墨盒打印文档。
  - 在**主要选项卡**上为**介质类型**选择除**普通纸**以外的 **Ink Jet Hagaki (A)**、**Hagaki K (A)**、**Hagaki (A)**或 **Hagaki**
  - 从**页设置**选项卡上的**页面布局**列表中选择了**无边距**
- 不要取下未使用的 FINE 墨盒。当取下任一 FINE 墨盒时，将无法执行打印。

## 印记/背景(印记...)对话框

在**印记/背景(印记...)**对话框上，可以在文档页面之上或之下打印印记和/或背景。除了预先注册的印记或背景外，可以注册并使用自己原创的印记或背景。

### 注释

- 使用 XPS 打印机驱动程序，**印记/背景...**按钮变为**印记...**按钮，仅印记功能可用。

## 印记

印记打印是一项在文档上打印印记的功能。

选中该复选框并从列表中选择标题以打印印记。

### 定义印记...

打开**印记设置对话框**。

可以查看所选印记的详细信息或保存新的印记。

## 在文本上盖印记

设置在文档上打印印记的方式。

选中**印记**复选框以启用该设置。

选中该复选框以在打印文档页面之上打印印记。打印数据可能会隐藏在印记之下。

取消选中该复选框以将文档数据打印在印记之上。打印数据将不会隐藏在印记之下。但是，可能会隐藏与文档重叠的印记部分。

### 打印半透明印记

设置在文档上打印印记的方式。

选中**印记**复选框以启用该设置。

选中该复选框以在打印文档页面之上打印半透明印记。

取消选中该复选框以将印记打印在文档数据之上。打印数据可能会隐藏在印记之下。

### ►► 注释

- 打印半透明印记仅可用于 XPS 打印机驱动程序。

### 仅在首页加印记

当文档包含两页或更多页时，选择是仅在第一页上打印印记，还是在所有页上打印印记。

选中**印记**复选框以启用该设置。

选中该复选框以仅在第一页上打印印记。

### 背景

背景打印功能可以在文档之下打印图案或类似对象(位图)。

选中该复选框以打印背景，并从列表中选择标题。

### 选择背景...

打开[背景设置对话框](#)。

可以将位图注册为背景，并更改所选背景的布局方法和浓度。

### 仅在首页加背景

当文档包含两页或更多页时，选择是仅在第一页上打印背景，还是在所有页上打印背景。

选中**背景**复选框以启用该设置。

选中该复选框以仅在第一页上打印背景。

## 印记选项卡

在印记选项卡上可以设置要用于印记的文本和位图文件(.bmp)。

### 预览窗口

显示在各个选项卡中配置的印记状态。

### 印记类型

指定印记类型。

选择**文本**以使用字符创建印记。选择**位图**以使用位图文件创建。选择**日期/时间/用户名称**以显示打印文档的创建日期/时间和用户名称。

印记选项卡中的设置项目会根据所选类型而变化。

### 当印记类型为文本或日期/时间/用户名称时

#### 印记文本

指定印记文本串。

最多可以输入 64 个字符。

对于**日期/时间/用户名称**，打印对象的创建日期/时间和用户名称将显示在印记文本中。

### ►► 重要事项

- 如果选择了**日期/时间/用户名称**，则印记文本显示为灰色且不可用。

## TrueType 字体

选择印记文本串的字体。

## 风格

选择印记文本串的字体样式。

## 大小

选择印记文本串的字号。

## 外框

选择围绕印记文本串的外框。

如果**大小**选择为较大的字号，字符可能会延伸到印记边框以外。

## 颜色/选择颜色...

显示印记的当前颜色。

要选择其他颜色，请单击**选择颜色...**打开**颜色**对话框，并选择或创建要用于印记的颜色。

## 当印记类型为位图时

### 文件

指定要用作印记的位图文件的名称。

### 选择文件...

打开用于打开文件的对话框。

单击该按钮选择要用作印记的位图文件。

### 大小

调整要用作印记的位图文件的大小。

向右移动滑块将增加大小，向左移动滑块将减小大小。

### 透明白色区

指定是否使位图的白色填充区域变为透明。

选中该复选框以使位图的白色填充区域变为透明。

## ►► 注释

- 单击**默认值**可将**印记类型**设置为文本、将**印记文本**设置为空白、将**TrueType 字体**设置为 Arial、将**风格**设置为常规、将**大小**设置为 36 磅，取消选中**外框**，并将**颜色**设置为灰色，RGB 值(192、192、192)。

## 放置选项卡

在放置选项卡上，可以设置印记的打印位置。

### 预览窗口

显示在各个选项卡中配置的印记状态。

### 位置

指定页面上的印记位置。

从列表中选择**用户定义**，可以直接输入**X 轴位置**和**Y 轴位置**的坐标值。

### 方向

指定印记的旋转角度。可以通过输入角度值来设置角度。

负值会使印记顺时针旋转。



## »» 注释

- 仅当印记选项卡上的**印记类型**选择为**文本**或**日期/时间/用户名称**时，**方向**才能启用。

## »» 注释

- 单击**默认值**可将印记位置设置为**居中**并将方向设置为 0。

## 保存设置选项卡

在**保存设置**选项卡上，可以注册新的印记或删除不需要的印记。

### 标题

输入标题以保存所创建的印记。

最多可以输入 64 个字符。

## »» 注释

- 标题的开头和末尾不能输入空格、制表符和回车。

### 印记

显示已保存印记的标题列表。

在**标题**中指定标题以显示相应的印记。

### 保存/保存改写

保存印记。

在**标题**中输入标题，然后单击该按钮。

### 删除

删除不需要的印记。

从**印记**列表中指定不需要的印记的标题，然后单击该按钮。

## 背景选项卡

在背景选项卡上可以选择要用作背景的位图文件(.bmp)或决定打印所选背景的方式。

### 预览窗口

显示在**背景**选项卡上设置的位图状态。

### 文件

指定要用作背景的位图文件的名称。

### 选择文件...

打开用于打开文件的对话框。

单击该按钮选择要用作背景的位图文件(.bmp)。

### 布局方法

指定如何在纸张上放置背景图像。

当选择**用户定义**时，可以设置 **X 轴位置**和 **Y 轴位置**的坐标。

### 浓度

调整要用作背景的位图的浓度。

向右移动滑块将增加浓度，向左移动将减少浓度。要以原始位图浓度打印背景，请将滑块移至最右端。

## »» 注释

- 根据正在使用的打印机驱动程序类型和环境，该功能可能不可用。
- 单击**默认值**可将文件设置为空白，**布局方法**设置为**填充页**，并将**浓度**滑块设置为中间位置。

## 保存设置选项卡

在**保存设置**选项卡上，可以注册新的背景或删除不需要的背景。

### 标题

输入标题以保存所指定的背景图像。

最多可以输入 64 个字符。

## »» 注释

- 标题的开头和末尾不能输入空格、制表符和回车。

### 背景

显示已注册背景的标题列表。

在**标题**中指定标题以显示相应的背景。

### 保存/保存改写

将图像数据保存为背景。

插入**标题**后，单击该按钮。

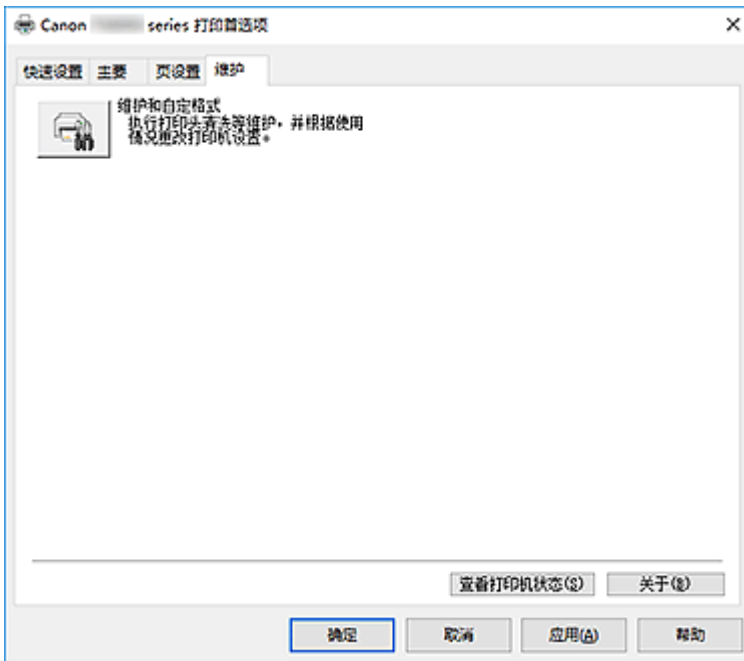
### 删除

删除不需要的背景。

从**背景**列表中指定不需要的背景的标题，然后单击该按钮。

## 维护选项卡描述

使用**维护**选项卡可以启动 Canon IJ Printer Assistant Tool 或查看打印机状态。



### 维护和自定格式

启动 Canon IJ Printer Assistant Tool。  
可以执行打印机维护或更改打印机设置。

### 查看打印历史记录

该功能可启动 Canon IJ XPS 预览并显示打印历史记录。

#### ►► 注释

- 该功能仅适用于 XPS 打印机驱动程序。

### 查看打印机状态

启动 Canon IJ 状态监视器。  
当想要查看打印机状态以及打印作业如何进行时，请执行该功能。

#### ►► 注释

- 如果正在使用 XPS 打印机驱动程序，“Canon IJ 状态监视器”将变为“Canon IJ XPS 状态监视器”。

### 关于

打开[关于对话框](#)。  
可以查看打印机驱动程序的版本以及版权通知。  
此外，可切换要使用的语言。

## 关于对话框

单击关于时，会显示关于对话框。  
该对话框显示打印机驱动程序的版本、版权以及模块列表。可以选择要使用的语言并切换在设置窗口中显示的语言。

## 模块

列出打印机驱动程序模块。

## 语言

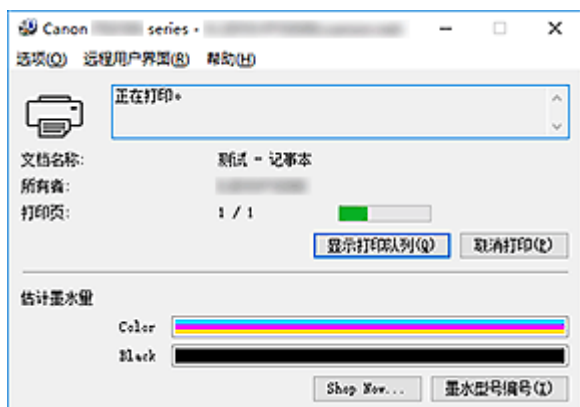
指定想要在[打印机驱动程序设置窗口](#)中使用的语言。

### 重要事项

- 如果系统中没有安装显示所选语言的字体，则字符将显示为乱码。

## Canon IJ 状态监视器描述

Canon IJ 状态监视器显示打印机状态以及打印进程。通过状态监视器中的图像、图标和信息显示打印机状态。



## Canon IJ 状态监视器的功能

Canon IJ 状态监视器具有以下功能：

### 在屏幕上显示打印机状态

状态监视器实时显示打印机状态。  
可以检查每个要打印的文档(打印作业)的进程。

### 显示错误内容和纠正步骤

状态监视器会显示打印机上发生的所有错误信息。  
然后可以立即检查要执行何种措施。

### 墨水状态显示

状态监视器会显示 FINE 墨盒的类型和估计墨水量。  
剩余墨水量不足时，会显示警告图标和信息(缺墨警告)。

## Canon IJ 状态监视器概述

Canon IJ 状态监视器使用图像和信息显示打印机状态和墨水状态。

打印过程中，可以查看正在打印文档和打印进程的信息。

如果发生错误，状态监视器会显示错误内容和如何纠正错误的说明。按照信息进行操作。

### 打印机

当打印机出现警告或错误时，Canon IJ 状态监视器会显示相应图标。



：有警告。



：有人为操作错误。



：有除警告或错误以外的通知。



：已出现需要维修的错误。

### FINE 墨盒

如果出现缺墨警告或空墨盒错误，状态监视器会显示图标。状态监视器也使用图像来显示 FINE 墨盒的估计墨水量。

将光标移动到图像上以查看详细信息，如打印机可以使用的剩余墨水量和 FINE 墨盒的名称。  
对颜色进行校准以匹配剩余墨水量最小的颜色，然后会以相同级别显示所有颜色。

## 文档名称

正在打印的文档的名称。

## 所有者

正在打印的文档的所有者名称。

## 打印页

当前页面的页码和总页数。

## 显示打印队列

控制当前文档和等待打印文档的打印队列。

## 取消打印

取消打印。

## 估计墨水量

显示图标以报告剩余墨水量警告和墨水消耗错误。

FINE 墨盒的估计墨水量也以图形方式显示出来。

### 墨水型号编号

可以为打印机查找正确的 FINE 墨盒。

## 选项菜单

如果显示打印机信息，请选择**启动状态监视器**以启动 Canon IJ 状态监视器。

选择**启动状态监视器**以使用以下命令：

### 始终显示当前任务

只要有文档正在打印，则会显示 Canon IJ 状态监视器。

### 始终显示在最前部

将 Canon IJ 状态监视器显示在其他窗口前面。

### 显示指南信息

显示复杂的纸张设置操作相关指南信息。

#### Hagaki 打印

在打印机开始 Hagaki 打印之前显示指南信息。

要隐藏该指南信息，请选择**不要再次显示该信息**复选框。

要再次显示此指南信息，打开**选项菜单**，选择**显示指南信息**并单击 **Hagaki 打印**，然后启用此设置。

### 自动显示警告

#### 当出现“缺墨警告”时

出现缺墨警告时，自动启动 Canon IJ 状态监视器窗口，并将其显示在其他窗口前面。

### Windows 启动时开始

Windows 启动时会自动启动 Canon IJ 状态监视器。

## 远程用户界面菜单

可以打开打印机的远程用户界面。

通过网络连接并使用打印机时，可以在打印机上查看打印机状态并运行维护功能。

## ▶▶▶ 注释

- 通过 USB 连接使用打印机时，不会显示**远程用户界面**。

## 打印机信息

可以检查打印机状态、打印进程和剩余墨水量等详细信息。

### **维护**

可以运行打印机维护和更改打印机设置。

### **下载安全证书**

将显示为**确保通讯安全**窗口。

使用该窗口可以下载路由认证，将其注册至浏览器并禁用警告显示。

### **帮助菜单**

选择此菜单可显示包括版本和版权信息在内的 Canon IJ 状态监视器的帮助信息。

## 安装 MP Drivers

可以通过互联网访问我们的网站，并为您的机型下载最新的 MP Drivers 和 XPS 打印机驱动程序。

### 1. 关闭打印机

### 2. 启动安装程序

双击下载文件的图标。

安装程序开始。

#### 重要事项

- 启动、安装或卸载软件时，可能会出现确认/警告对话框。  
当需要管理权限以执行任务时，会出现该对话框。  
当您以计算机管理员帐户登录时，单击**是**(或**继续**、**允许**)以继续。  
有些应用程序需要计算机管理员帐户才能继续。在这种情况下，请切换到管理员帐户，然后重新开始操作。

### 3. 安装 MP Drivers

请按照屏幕上的说明采取适当的操作。

### 4. 完成安装

单击**完成**。

根据使用的环境，可能会出现提示您重新启动计算机的信息。要正确完成安装，请重新启动计算机。

#### 重要事项

- 可以使用与安装 MP Drivers 相同的步骤安装 XPS 打印机驱动程序。但是，安装 XPS 打印机驱动程序时，请首先完成 MP Drivers 的安装。
- MP Drivers 和 XPS 打印机驱动程序可以免费下载，但是您需要支付网络连接的费用。
- 在安装最新的 MP Drivers 之前，删除以前安装的版本。

## 相关主题

- 获取最新的 MP Drivers
- 删除不需要的 MP Drivers
- 安装 MP Drivers 之前



## 从智能手机/平板电脑打印

- ▶ 从 iPhone/iPad/iPod touch 打印(iOS)
- ▶ 从智能手机/平板电脑打印(Android)
- ▶ 从 Windows 10 移动设备打印
- ▶ [通过无线直连进行打印/扫描](#)

## 通过无线直连进行打印/扫描

可以通过以下两种方法将设备(例如智能手机或平板电脑)连接至打印机。

- 无线连接(通过无线路由器连接设备)
- 直接无线连接(使用无线直连接设备)

本节描述了无线直连，这种方式可以通过将设备直接连接至打印机进行打印。

请按照以下步骤使用无线直连。

1. [启用无线直连。](#)
2. [将设备连接至打印机。](#)
3. [执行打印或扫描操作。](#)

### 重要事项

- 最多可以将 5 台设备同时连接至打印机。
- 检查使用限制并将打印机切换至无线直连。

#### 限制

## 准备无线直连

更改以下设置以准备无线直连。

- 打印机的 LAN 设置
  - [启用打印机的无线直连](#)
- 要连接的设备的设置
  - [将设备连接到打印机](#)

## 启用打印机的无线直连

1. [确保打印机已开启。](#)
2. 按**直连**按钮。

LCD 屏幕上出现  图标。

将启用无线直连，并且可以将设备通过无线方式连接到打印机。

### 注释

- 要查看打印机的 MAC 地址和当前无线直连设置，请打印出网络设置信息。

#### 打印网络设置

## 将设备连接到打印机

1. 开启设备上的无线通讯。  
在设备的“设置”菜单中启用“Wi-Fi”。

有关开启无线通讯的更多信息，请参见设备的说明手册。

2. 从设备上显示的列表中选择“XXXXXX-TS3100 series”（“XXXXXX”表示打印机 MAC 地址的最后六位数字。）。

#### ▶▶▶ 注释

- 如果“XXXXXX-TS3100 series”没有出现在列表上，则无线直连未启用。  
请参见[启用打印机的无线直连](#)以启用无线直连。

3. 输入密码。

设备已连接到打印机。

#### ▶▶▶ 注释

- 通过打印网络设置信息可查看打印机的密码。
  - [打印网络设置](#)
- 根据使用的设备不同，需要输入密码以将设备通过无线 LAN 连接到打印机。输入为打印机指定的密码。

## 通过无线直连进行打印/扫描

连接设备和打印机，然后开始从设备的应用程序进行打印或扫描。

#### ▶▶▶ 注释

- 有关通过无线 LAN 从设备打印或扫描的更多信息，请参阅此设备或应用程序的说明手册。
- 可以通过安装 Canon PRINT Inkjet/SELPHY 从智能手机或平板电脑打印或扫描。请从 App Store 和 Google Play 下载。
  - 对于 iOS
  - 对于 Android

## 纸张设置

通过注册装入后端托盘的纸张尺寸，当装入纸张的尺寸与打印设置不同时，在开始打印前会显示错误代码，以防止打印机误打印。

### 注 释

- 从兼容 PictBridge(无线 LAN)的设备、智能手机或平板电脑打印时默认显示设置与从计算机打印时不同。

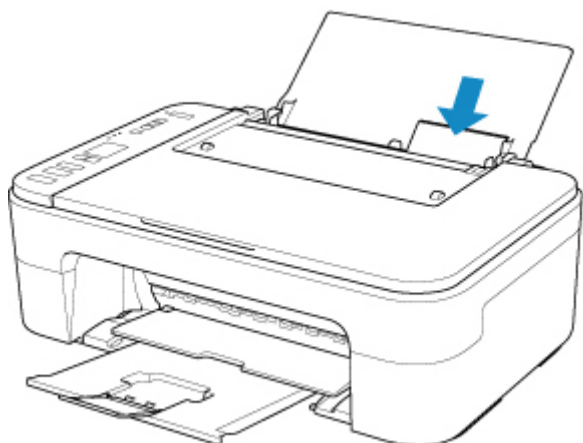
#### ■ [显示防止误打印的错误代码的默认设置](#)

介质类型设置取决于 LCD 屏幕上指定的纸张尺寸。

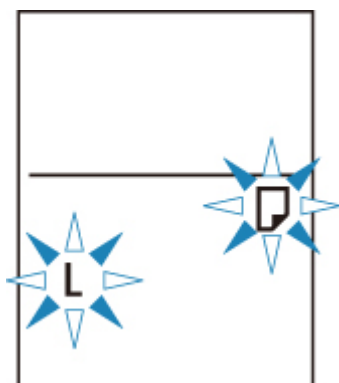
纸张尺寸	介质类型
A4、LTR、LGL、B5、A5	普通纸
KG、10x15cm/4"x6"、13x18cm/5"x7"、13x13cm/5"x5"	照片纸
隐藏	其他

### 装入纸张后：

将纸张装入后端托盘时：



显示纸张状态图标和当前的纸张尺寸。

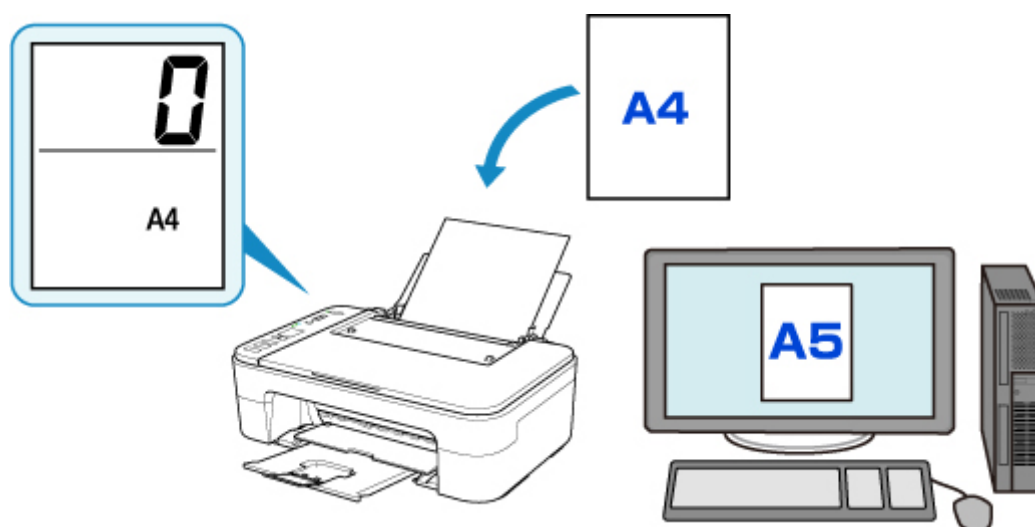


根据装入的纸张注册纸张尺寸。

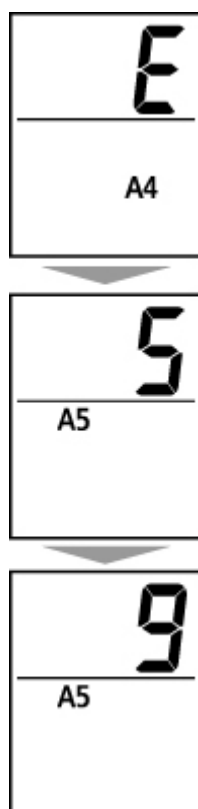
## 用于打印的纸张尺寸设置与为打印机设置的纸张尺寸不同时：

例如：

- 用于打印的纸张尺寸设置：A5
- 为打印机设置的纸张尺寸：A4



开始打印时，LCD 屏幕上显示错误代码。



选择以下任一操作。

- 使用用于打印的纸张尺寸设置进行打印

在装入的纸张上打印而不更改纸张尺寸设置。按**彩色**按钮或**黑白**按钮。

例如，用于打印的纸张尺寸设置为 A5，而在 LCD 屏幕上纸张尺寸设置设为 A4 时，打印机将在装入的纸张上以 A5 开始打印。

- 更换纸张后打印

更换装入后端托盘的纸张后进行打印。

例如，用于打印的纸张尺寸设置为 A5，而在 LCD 屏幕上纸张尺寸设置设为 A4 时，请在开始打印前装入 A5 尺寸纸张。

更换纸张后根据在后端托盘中装入的纸张，在 LCD 屏幕上设置纸张尺寸设置。

- 取消打印

按**停止**按钮可取消打印，更改为打印指定的纸张尺寸设置。请再次尝试打印。

## 显示防止误打印的错误代码的默认设置

- 从兼容 PictBridge(无线 LAN)的设备、智能手机或平板电脑打印时：

默认启用防止误打印的错误代码。

要更改显示设置：

1. 按**设置**按钮直到 LCD 屏幕上出现“15”。
2. 按**彩色**按钮启用错误代码显示，或按**黑白**按钮禁用错误代码显示。

- 从 Windows 打印时：

默认禁用防止误打印的错误代码。

要更改显示设置：

■ [更改打印机操作模式](#)

- 从 Mac OS 打印时：

默认启用防止误打印的错误代码。

要更改显示设置：

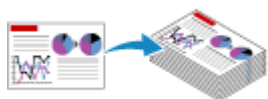
■ [更改打印机操作模式](#)

## 重要事项

- 禁用防止误打印的错误代码时：

即使用于打印的纸张尺寸设置与为打印机设置的纸张尺寸设置不同，打印机也会开始打印。

# 复印



在普通纸上复印 **基础**



在照片纸上复印



使用智能手机或平板电脑复印

## 在普通纸上复印

将原稿放置在稿台玻璃上，以在 A4、Letter、B5 或 A5 尺寸的普通纸上复印。

1. [确保打印机已开启。](#)

2. [装入纸张。](#)

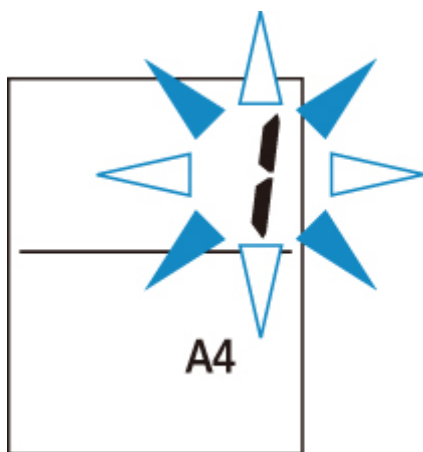
装入 A4、Letter、B5 或 A5 尺寸的普通纸。

在 LCD 屏幕上将纸张尺寸设置选择为 A4、LTR、B5 或 A5。

3. [将原稿放置在稿台玻璃上。](#)

4. 按**彩色**按钮执行彩色复印，或按**黑白**按钮执行黑白复印。

LCD 屏幕上的区段显示闪烁。



区段显示由闪烁变为亮起时，打印机开始复印。

复印完成后取出稿台玻璃上的原稿。

• **多份复印**

区段显示闪烁时，根据所需的份数，重复按**彩色**按钮或**黑白**按钮。

按之前按过的相同按钮(**彩色**按钮或**黑白**按钮)。

• **要取消复印**

按**停止**按钮。

### ▶▶▶ 重要事项

- 扫描结束之前，请勿打开文档盖板或从稿台玻璃上取出原稿。

打印机正在扫描原稿时，**电源**指示灯会持续闪烁。

- 如果在 LCD 屏幕上的纸张尺寸设置不是 A4、LTR、B5 或 A5，打印机执行照片复印。

■ [在照片纸上复印](#)

- 如果未在 LCD 屏幕上选择纸张尺寸而按下**彩色**按钮或**黑白**按钮，LCD 屏幕上会出现错误代码。



## 注 释

- 原稿以相同的缩放倍率复印到普通纸上。  
原稿带边距复印到普通纸上。

## 打印质量

对于复印件的打印质量，可以选择“标准”或“草稿”模式(速度优先)。

### “标准”模式

质量优先于打印速度。

在步骤 4 中按住**彩色**或**黑白**按钮至少 2 秒。

### “草稿”模式

打印速度优先于质量。

在步骤 4 中按住**彩色**或**黑白**按钮 2 秒或 2 秒以上。

## 在照片纸上复印

将原稿放置在稿台玻璃上，以在 KG/10x15cm(4x6)、13x18cm(5x7)或正方形尺寸(127x127mm)照片纸上复印。

### 1. [确保打印机已开启。](#)

### 2. [装入纸张。](#)

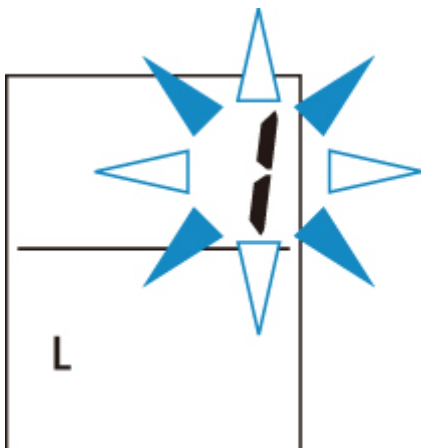
装入 KG/10x15cm(4x6)、13x18cm(5x7)或正方形尺寸(127x127mm)照片纸。

在 LCD 屏幕上为纸张尺寸设置选择 KG、10x15cm/4"x6"、13x18cm/5"x7"或 13x13cm/5"x5"尺寸。

### 3. [将原稿放置在稿台玻璃上。](#)

### 4. 按**彩色**按钮执行彩色复印，或按**黑白**按钮执行黑白复印。

LCD 屏幕上的区段显示闪烁。



区段显示由闪烁变为亮起时，打印机开始复印。

复印完成后取出稿台玻璃上的原稿。

#### • 多份复印

区段显示闪烁时，根据所需的份数，重复按**彩色**按钮或**黑白**按钮。

按之前按过的相同按钮(**彩色**按钮或**黑白**按钮)。

#### • 要取消复印

按**停止**按钮。

## ▶▶▶ 重要事项

- 扫描结束之前，请勿打开文档盖板或从稿台玻璃上取出原稿。

打印机正在扫描原稿时，**电源**指示灯会持续闪烁。

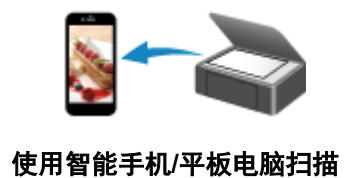
- 如果未在 LCD 屏幕上选择纸张尺寸而按下**彩色**按钮或**黑白**按钮，LCD 屏幕上会出现错误代码。

#### ■ [发生错误](#)

## »» 注释

- 通过自动放大或缩小原稿以适合照片纸的纸张尺寸进行复印。  
原稿不带边距复印到照片纸上。
- 如果在正方形尺寸的纸张上复印长方形原稿，复印结果可能缺失顶部和底部边缘或左侧和右侧边缘。

# 扫描



## 从计算机扫描 (Windows)

### ▶ 根据项目类型或用途进行扫描(IJ Scan Utility)


- IJ Scan Utility 功能
- 轻松扫描(自动扫描) 🏠基础
- 扫描文档和照片

### ▶ 使用应用程序软件(ScanGear)扫描

### ▶ 扫描提示

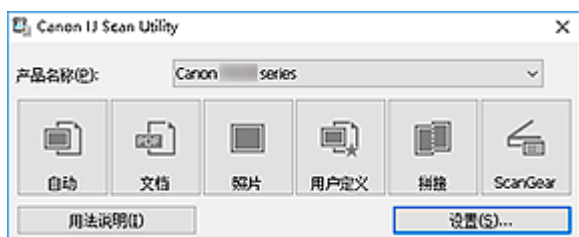
- 放置原稿(从计算机扫描)
- 网络扫描设置
  - IJ Network Scanner Selector EX2 菜单和设置屏幕

## 根据项目类型或用途进行扫描(IJ Scan Utility)

- ▶ IJ Scan Utility 功能
- ▶ 轻松扫描(自动扫描)  基础
- ▶ 扫描文档和照片

## IJ Scan Utility 功能

使用 IJ Scan Utility 只需通过单击相应图标就可以一次性完成扫描及保存文档、照片或其他项目。



### 多种扫描模式

使用**自动**模式只需单击一次即可使用默认设置扫描多种项目。**文档**会锐化文档或杂志中的文本以提高可读性，而**照片**最适合扫描照片。

#### ►► 注释

- 有关 IJ Scan Utility 主屏幕的详细信息，请参见 IJ Scan Utility 主屏幕。

### 自动保存扫描的图像

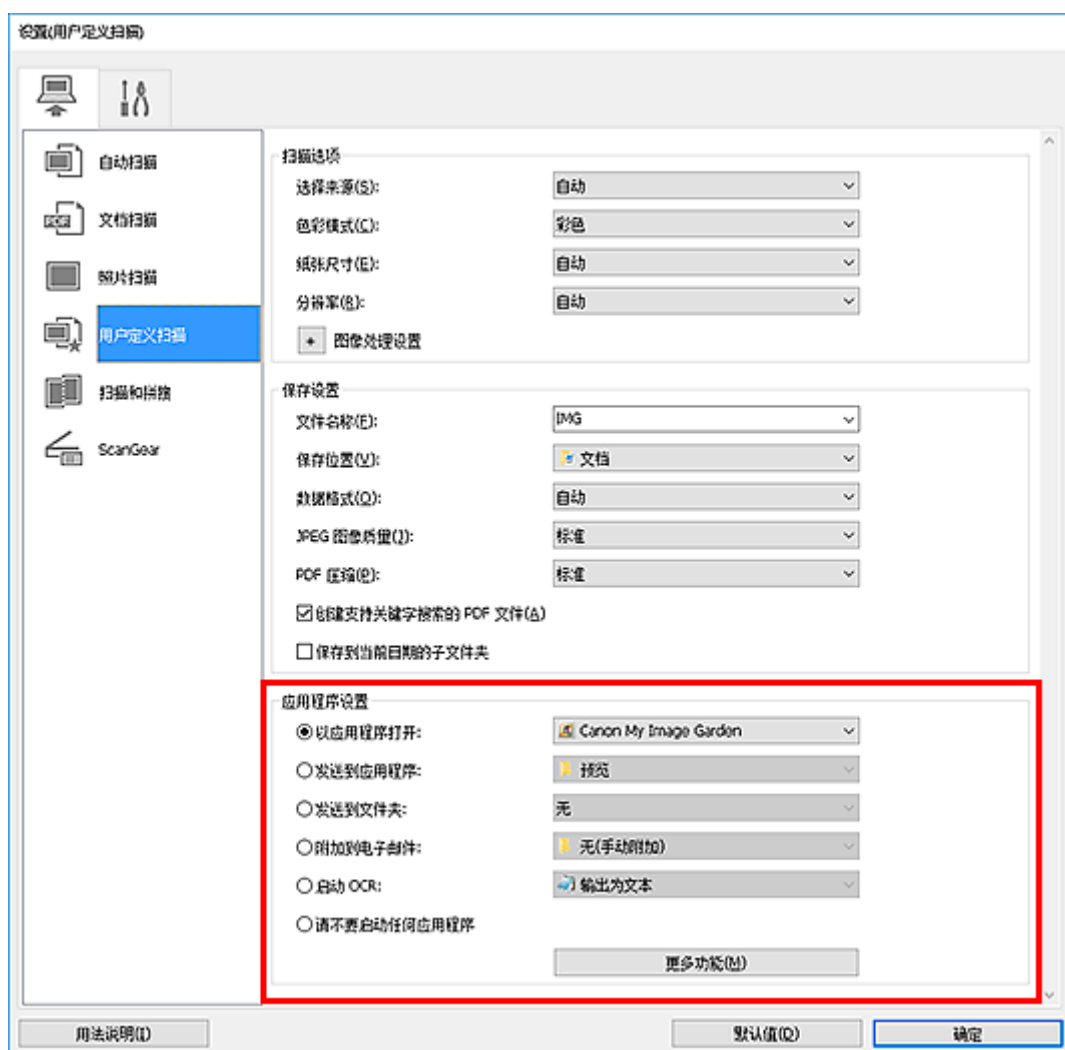
扫描的图像会自动保存至预设文件夹。可以根据需要更改文件夹。

#### ►► 注释

- 默认保存至以下文件夹。
  - **Windows 10/Windows 8.1:**  
文档文件夹
  - **Windows 7:**  
我的文档文件夹
- 要更改文件夹，请参见设置对话框。

### 应用程序的集成

可以将扫描的图像发送至其他应用程序。例如，在喜爱的图形应用程序中显示扫描的图像、将其附加到电子邮件或从图像提取文本。



## »» 注释

- 要设置与之集成的应用程序，请参见设置对话框。



## 轻松扫描(自动扫描)

自动扫描可以自动检测放在稿台玻璃上的项目类型。

### 重要事项

- 可能无法正确扫描以下类型的项目。在这种情况下，在 ScanGear(扫描仪驱动程序)的完整图像视图中调整裁剪框(扫描区域)，然后再次扫描。
  - 背景发白的照片
  - 打印在白纸上的项目、手写文本、名片和其他不清晰的项目
  - 薄的项目
  - 厚的项目

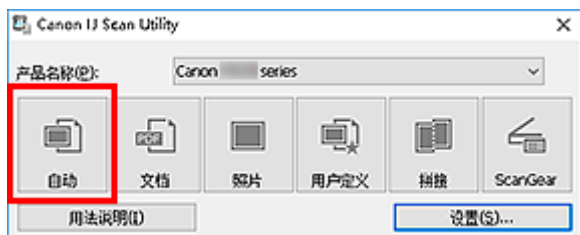
1. 确保扫描仪或打印机已开启。

2. 在稿台玻璃上放置项目。

■ [放置原稿\(从计算机扫描\)](#)

3. 启动 IJ Scan Utility。

4. 单击**自动**。



扫描开始。

### 注释

- 要取消扫描，请单击**取消**。
- 使用**设置(自动扫描)**对话框可以设置保存已扫描图像的位置以及进行高级扫描设置。
- 要扫描特定项目类型，请参见以下页面。

■ [扫描文档和照片](#)

■ [使用收藏夹设置扫描](#)

## 扫描文档和照片

使用适合文档或照片的设置，扫描放置在稿台玻璃上的项目。

以 PDF 和 JPEG 格式保存文档，以 JPEG 和 TIFF 格式保存照片。

1. 将项目放置在稿台玻璃上。

■ [放置原稿\(从计算机扫描\)](#)

2. 启动 IJ Scan Utility。

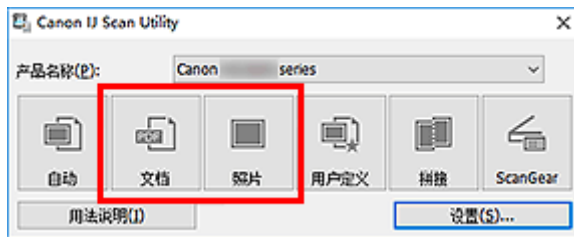
3. 要指定纸张尺寸、分辨率 PDF 设置等，单击**设置...**，然后在设置对话框中设置各项。

### ▶▶▶ 注释

- 在设置对话框中完成设置后，下次可以使用相同的设置进行扫描。
- 在设置对话框中，根据需要指定图像处理设置(例如倾斜修正和轮廓强调)、设置已扫描图像的接收方等。

当设置完成时，单击**确定**。

4. 单击**文档**或**照片**。



扫描开始。

### ▶▶▶ 注释

- 要取消扫描，请单击**取消**。

## 使用应用程序软件(ScanGear)扫描

- ▶ 什么是 ScanGear(扫描仪驱动程序)?
- ▶ 启动 ScanGear(扫描仪驱动程序)
- ▶ 在基本模式下扫描
- ▶ ScanGear(扫描仪驱动程序)屏幕
- ▶ 注意事项(扫描仪驱动程序)

### ▶▶▶ 重要事项

- 根据扫描仪或打印机，可用的功能和设置有所不同。

## 什么是 ScanGear(扫描仪驱动程序)?

ScanGear(扫描仪驱动程序)是用于扫描文档的软件。使用软件指定输出尺寸、图像修正和其他设置。

ScanGear 可以从 IJ Scan Utility 或兼容标准 TWAIN 接口的应用程序启动。(ScanGear 是一个兼容 TWAIN 的驱动程序。)

### 功能

扫描文档时，指定文档类型、输出尺寸和其他设置并预览扫描结果。进行多种修正设置或对亮度、对比度和其他参数进行细致调整，以使用特定色调进行扫描。

### 屏幕

有两种模式：基本模式和高级模式。

使用屏幕右上方的选项卡切换模式。

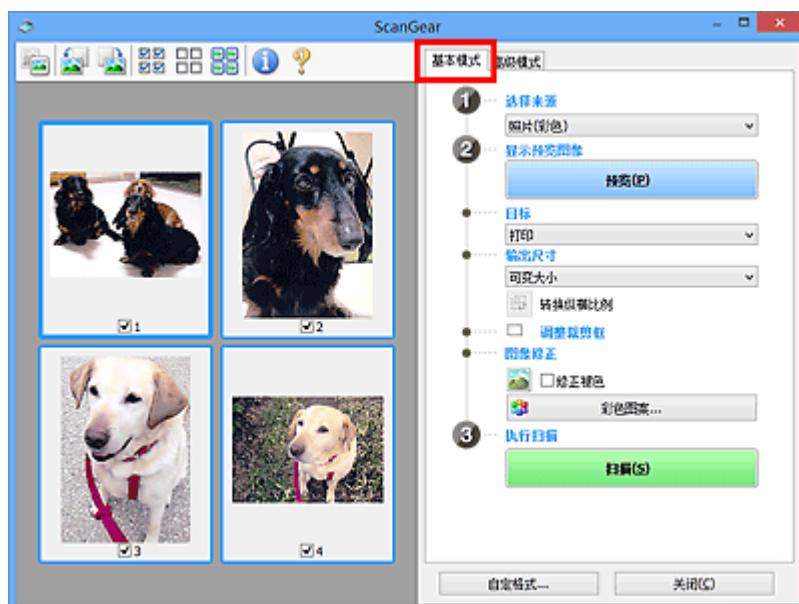
基本模式 高级模式

### 注释

- ScanGear 以最近使用的模式启动。
- 转换模式时，不会保持设置。

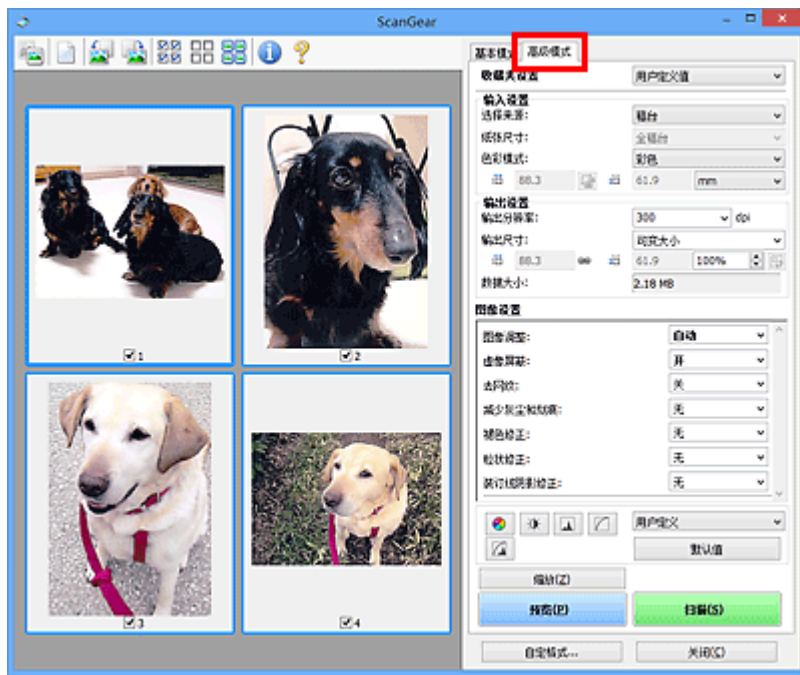
### 基本模式

参照屏幕上显示的三个简单步骤(1、2和3)，可以使用**基本模式**选项卡轻松扫描。



### 高级模式

使用**高级模式**选项卡可以通过指定色彩模式、输出分辨率、图像亮度、色调以及其他设置进行扫描。



## 启动 ScanGear(扫描仪驱动程序)

使用 ScanGear(扫描仪驱动程序)以在扫描时进行图像修正和色彩调整。从 IJ Scan Utility 或其他应用程序启动 ScanGear。

### »» 注释

- 如果拥有多台扫描仪或拥有兼容网络的型号并已将连接从 USB 连接更改为网络连接，请设置网络环境。

### 从 IJ Scan Utility 启动

1. 启动 IJ Scan Utility。

有关详细资料，请单击主页返回所用型号的在线手册页首，并搜索“启动 IJ Scan Utility”进行参考。

2. 在 IJ Scan Utility 主屏幕上单击 ScanGear。

出现 ScanGear 屏幕。

### 从应用程序启动

根据应用程序，要遵循的步骤会有所不同。有关详细资料，请参见应用程序手册。

1. 启动应用程序。
2. 在应用程序的菜单上，选择本机。

### »» 注释

- 通过网络连接的机器，会在产品名称后显示“网络”。

3. 扫描文档。

出现 ScanGear 屏幕。


## 在基本模式下扫描

使用**基本模式**选项卡可以按照屏幕上的简单步骤轻松扫描。

要从稿台玻璃一次扫描多个文档，请参见使用 ScanGear(扫描仪驱动程序)一次扫描多个文档。

从自动输稿器扫描时，预览不可用。

### 重要事项

- 可能无法正确扫描以下类型的文档。在这种情况下，单击工具栏上的  (缩略图)以切换到完整图像视图并扫描。
  - 背景发白的照片
  - 打印在白纸上的文档、手写文本、名片和其他不清晰的文档
  - 薄的文档
  - 厚的文档
- 将无法正确扫描以下类型的文档。
  - 小于 3 厘米(1.2 英寸)见方的文档
  - 剪切成不规则形状的照片

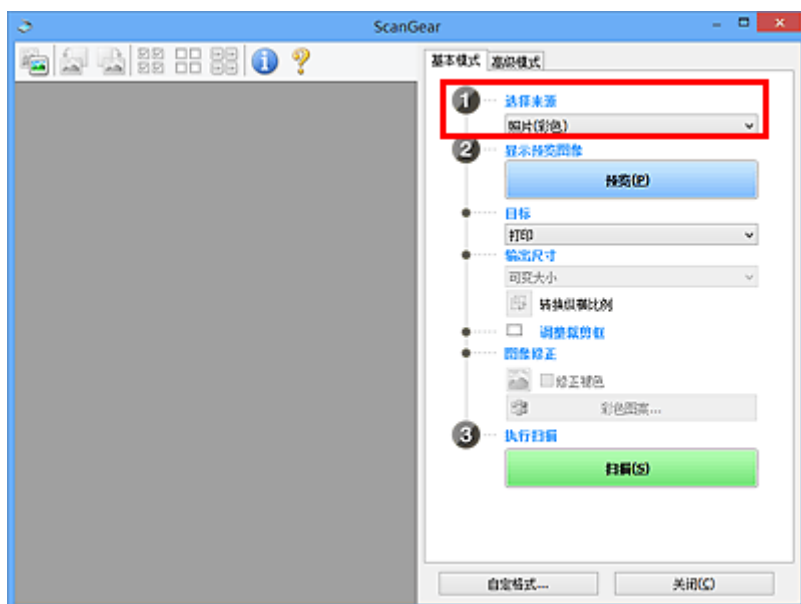
### 注释

- 在支持自动输稿器双面扫描的型号上，可以同时扫描双面文档的两面。

1. 将文档放置在本机的稿台玻璃或自动输稿器上，然后启动 ScanGear(扫描仪驱动程序)。

- 放置原稿(从计算机扫描)
- [启动 ScanGear\(扫描仪驱动程序\)](#)

2. 选择**选择来源**以匹配文档。



### 重要事项

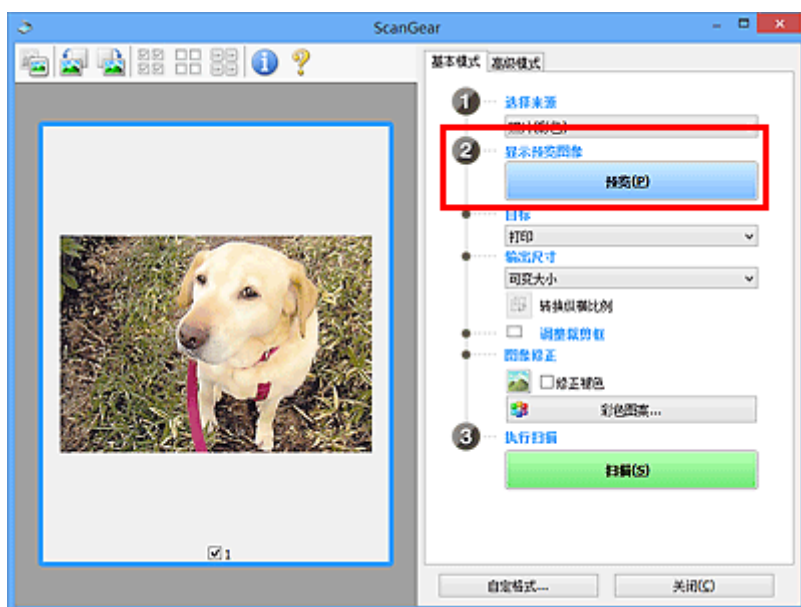
- 某些应用程序不支持从自动输稿器连续扫描。有关详细资料，请参见应用程序手册。

### 注释

- 要扫描包含多张彩色照片的杂志，请选择**杂志(彩色)**。

### 3. 单击预览。

预览图像出现在预览区域中。



### 重要事项

- 从自动输稿器扫描时，**预览**不可用。

### 注释

- 根据在**选择来源**中所选文档类型调整色彩。

### 4. 设置目标。

### 注释

- 如果在**选择来源**中已选择自动输稿器选项，则跳转至步骤 7。

### 5. 设置输出尺寸。

根据选择的**目标**不同，输出尺寸选项也不同。

### 6. 根据需要，调整裁剪框(扫描区域)。

调整预览图像上裁剪框的尺寸和位置。

- 调整裁剪框(ScanGear)




7. 根据需要设置**图像修正**。

8. 单击**扫描**。

扫描开始。

### ►► 注释

- 单击  (信息)可显示一个对话框，其中会显示文档类型和当前扫描设置的其他详细信息。
- 扫描后 ScanGear 如何响应可以在**自定义格式**对话框的**扫描**选项卡上的**扫描完后 ScanGear 对话框状态**中进行设置。

## 相关主题

- [基本模式选项卡](#)

## ScanGear(扫描仪驱动程序)屏幕

- ▶ 基本模式选项卡
- ▶ 高级模式选项卡

## 基本模式选项卡

使用**基本模式**选项卡可以按照屏幕上的简单步骤轻松扫描。

本节描述了在**基本模式**选项卡中可用的设置和功能。



- (1) [设置和操作按钮](#)
- (2) [工具栏](#)
- (3) [预览区域](#)

### 注 释

- 根据文档类型和视图，显示的项目有所不同。
- 从自动输稿器扫描时，预览不可用。

### (1) 设置和操作按钮

#### 选择来源

##### 照片(彩色)

扫描彩色照片。

##### 杂志(彩色)

扫描彩色杂志。

##### 文档(彩色)

以彩色扫描文档。

##### 文档(灰度)

以黑白色扫描文档。

##### 文档(彩色) 自动输稿器单面

以彩色从自动输稿器扫描文档。

##### 文档(灰度) 自动输稿器单面

以黑白从自动输稿器扫描文档。

##### 文档(彩色) 自动输稿器双面(仅支持自动输稿器双面扫描型号)

以彩色从自动输稿器扫描文档的两面。

## 文档(灰度) 自动输稿器双面(仅支持自动输稿器双面扫描型号)

以黑白从自动输稿器扫描文档的两面。

### 重要事项

- 某些应用程序不支持从自动输稿器连续扫描。有关详细资料，请参见应用程序手册。

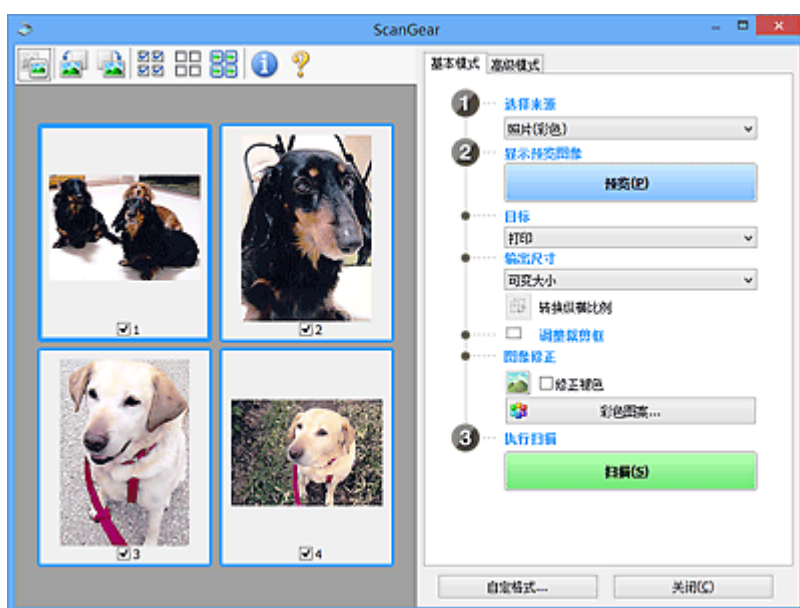
### 注释

- 当选择文档类型时，将激活虚像屏蔽功能。
- 选择自动输稿器类型以外的选项时，也会激活根据文档类型调整图像的图像调整功能。
- 选择**杂志(彩色)**时，将激活去网纹功能。

## 显示预览图像

### 预览

执行测试扫描。



### 注释

- 首次使用本机时，会自动启动扫描仪校准。等待直至预览图像出现。

## 目标

选择如何处理扫描的图像。

### 打印

选择该选项以通过打印机打印扫描的图像。

### 图像显示

选择该选项以通过监视器浏览扫描的图像。

### OCR

选择该选项以使用通过 OCR 软件扫描的图像。

“OCR 软件”是将扫描成图像的文本转换为文本数据的软件，文本数据可以在文字处理器和其他程序中编辑。

## 输出尺寸

选择一种输出尺寸。

根据**目标**中选择的项目，输出尺寸选项不同。

### 可变大小

自由调整裁剪框(扫描区域)。

#### 在缩略图视图中：

在缩略图上拖拽鼠标以显示裁剪框。显示裁剪框时，将扫描裁剪框中的部分。当未显示裁剪框时，将单独扫描每个画面。

#### 在完整图像视图中：

当未显示裁剪框时，将扫描整个预览区域。显示裁剪框时，将扫描裁剪框中的部分。

### 纸张尺寸(如 L 或 A4)

选择一种输出纸张尺寸。以所选纸张尺寸扫描裁剪框中的部分。在保持长宽比例的情况下拖动裁剪框以进行放大/缩小。

### 监视器尺寸(如 1024 x 768 像素)

以像素选择输出尺寸。将显示所选监视器尺寸的裁剪框，并扫描裁剪框中的部分。在保持长宽比例的情况下拖动裁剪框以进行放大/缩小。

### 添加/删除...

显示**添加/删除输出尺寸**对话框以指定用户定义输出尺寸。目标为**打印**或**图像显示**时，可以选择该选项。



在**添加/删除输出尺寸**对话框中，可以一次指定并保存多个输出尺寸。保存的项目与预设的项目将一起注册在**输出尺寸列表**中并且可选。

#### 添加：

输入**输出尺寸名称**、**宽度**和**高度**，然后单击**添加**。对于**单位**，如果目标为**打印**，请选择 **in** 或 **mm**；如果为**图像显示**，则只能选择**像素**。添加尺寸的名称显示在**输出尺寸列表**中。单击**保存**以保存**输出尺寸列表**中列出的项目。

#### 删除：

在**输出尺寸列表**中选择要删除的输出尺寸，然后单击**删除**。单击**保存**以保存**输出尺寸列表**中列出的项目。

### 重要事项

- 无法删除预设的输出尺寸，如 **A4** 和 **1024 x 768 像素**。

### 注释

- 最多保存 10 个项目。
- 当输入设置范围以外的数值时，会显示错误信息。请输入设置范围之内的数值。

## 注释

- 有关在预览图像上最初是否显示或如何显示裁剪框的详细资料，请参见**自定格式**对话框的**预览**选项卡中的**预览图像上的裁剪框**。



### 转换纵横比例

输出尺寸设置为**可变大小**以外的其他选项时可用。

单击该按钮以旋转裁剪框。再次单击以返回至原始方向。

### 调整裁剪框

在预览区域内调整扫描区域。

如果未指定区域，将以文档尺寸(自动裁剪)扫描文档。如果指定了区域，则仅扫描所裁剪框内的部分。

- 调整裁剪框(ScanGear)

### 图像修正

修正要扫描的图像。

#### 重要事项

- 在**自定格式**对话框中的**色彩设置**选项卡上选择了**推荐**时，**应用自动文档修复**和**修正褪色**可用。

## 注释

- 根据在**选择来源**中所选文档类型，可用的功能可能有所不同。

### 应用自动文档修复

锐化文档或杂志中的文本方便阅读。

#### 重要事项

- 当选中该复选框时，扫描时间要比平时长。
- 修正可能使源图像的色调有所变化。在这种情况下，不选中该复选框进行扫描。
- 如果扫描区域太小，可能无法正确应用修正。

### 修正褪色

修正因年代久远而褪色或有色偏的照片。

### 减少装订线阴影

修正扫描打开的书册时页面之间出现的阴影。

#### 重要事项

- 有关使用该功能的注意事项和其他信息，请务必参见**装订线阴影修正**。

### 彩色图案...

调整图像的整体色彩。预览色彩变化时，对因色偏或其他原因褪色的色彩进行修正并再现自然色。

- 使用彩色图案调整色彩

#### 重要事项

- 在**自定格式**对话框的**色彩设置**选项卡上选择了**色彩匹配**时，此设置不可用。

## 执行扫描

### 扫描

开始扫描。

### ▶▶▶ 注释

- 扫描开始后会显示进度。要取消扫描，请单击**取消**。

## 自定格式...

显示**自定格式**对话框以进行扫描/预览设置。

## 关闭

关闭 ScanGear(扫描仪驱动程序)。

## (2) 工具栏

调整或旋转预览图像。工具栏上显示的按钮因视图而有所不同。

在缩略图视图中：



在完整图像视图中：



 (缩略图) /  (完整图像)

在预览区域切换视图。

### ■ (3) 预览区域



(向左旋转)

将预览图像逆时针旋转 90 度。

- 效果将在扫描的图像中体现。
- 再次预览时，图像会返回到原始状态。



(向右旋转)

将预览图像顺时针旋转 90 度。

- 效果将在扫描的图像中体现。
- 再次预览时，图像会返回到原始状态。



(自动裁剪)

显示并自动将裁剪框调整为预览区域中显示的文档尺寸。如果在裁剪框内留有裁剪区域，每次单击该按钮时，扫描区域都将缩小。



(选中所有画面)

显示两个或更多个边框时可用。

在缩略图视图中选中图像的复选框。



#### (取消选中所有画面)

显示两个或更多个边框时可用。

在缩略图视图中取消选择图像的复选框。



#### (选择所有画面)

显示两个或更多个边框时可用。

选择缩略图视图中的图像，所选图像将带有蓝色外框。



#### (选择所有裁剪框)

指定两个或更多个裁剪框时可用。

使裁剪框变为粗虚线并将该设置应用至所有裁剪框。



#### (删除裁剪框)

删除所选的裁剪框。



#### (信息)

显示 ScanGear 的版本、文档类型和其他当前扫描设置的其他详细信息。



#### (打开指南)

打开该页面。

### (3) 预览区域

单击**预览**后，预览区域为出现的测试图像。在[\(1\) 设置和操作按钮](#)中进行的图像修正、色彩调整和其他设置的结果也会予以反映。



#### (缩略图)显示在工具栏上时：

根据文档尺寸指定裁剪框，并且显示扫描图像的缩略图。仅扫描选中复选框的图像。



#### »» 注释

- 当预览多幅图像时，不同的外框表示不同的选择状态。



- 聚焦框(粗的蓝色外框): 将应用显示的设置。
- 选择框(细的蓝色外框): 将设置同时应用于聚焦框和选择框。 要选择多个图像, 请在按下 Ctrl 键的同时单击图像。
- 未选择(无外框): 此类裁剪框将不应用设置。

- 双击画面以放大图像。 单击屏幕底部的   (帧快进)以显示上一幅或下一幅图像。 再次双击放大的画面可以将其还原至原始状态。



**(完整图像)显示在工具栏上时:**

扫描稿台玻璃上的项目并将其显示为单个图像。 将扫描裁剪框中的所有部分。



## ►► 注释

- 在显示的图像上创建裁剪框。 在缩略图视图中, 可以为每幅图像创建一个裁剪框。 在完整图像视图中, 可以创建多个裁剪框。

■ 调整裁剪框(ScanGear)

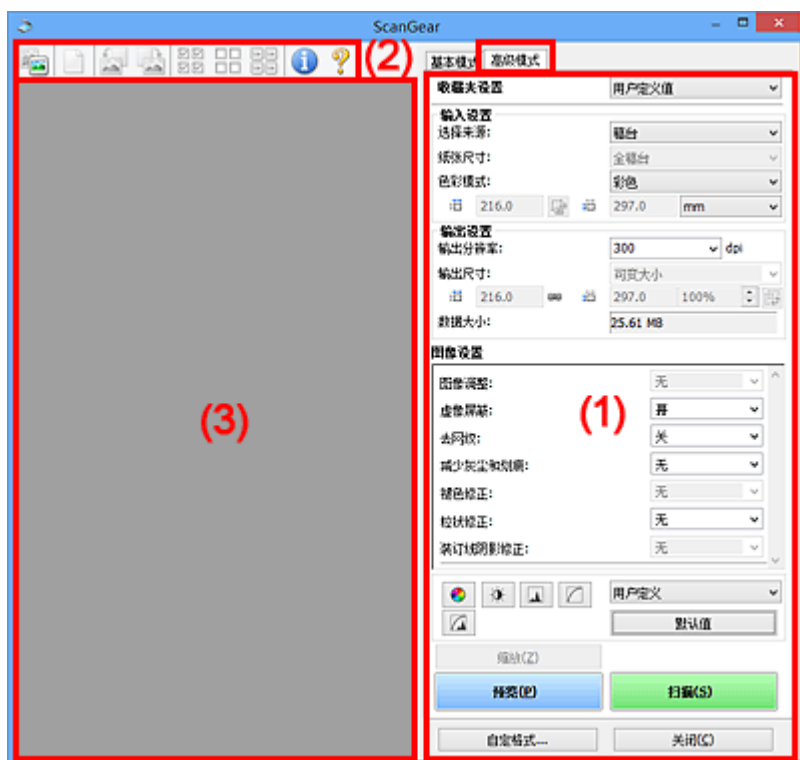
## 相关主题

■ [在基本模式下扫描](#)

## 高级模式选项卡

该模式可以进行高级扫描设置，如色彩模式、输出分辨率、图像亮度和色调。

本节描述了在高级模式选项卡中可用的设置和功能。



- (1) 设置和操作按钮
- (2) 工具栏
- (3) 预览区域

### 注 释

- 根据文档类型和视图，显示的项目有所不同。
- 从自动输稿器扫描时，预览功能不可用。

### (1) 设置和操作按钮

#### 收藏夹设置

可以在高级模式选项卡上命名并保存一组设置(输入设置、输出设置、图像设置和色彩调整按钮)，并且可以根据需要重新调用这些设置。如果您将重复使用，那么将便于保存一组设置。您也可以使用该设置以重新调用默认设置。

从下拉菜单中选择添加/删除...以打开添加/删除收藏夹设置对话框。



输入**设置名称**并单击**添加**；该名称显示在**收藏夹设置列表**中。

单击**保存**时，项目与预设项目一起显示在**收藏夹设置列表**中并且可选。

要删除项目，请在**收藏夹设置列表**中选择并单击**删除**。单击**保存**以保存显示在**收藏夹设置列表**中的设置。

### ►►► 注释

- 预览后，可以设置**收藏夹设置**中的**添加/删除...**。
- 最多保存 10 个项目。

### 输入设置

指定输入设置，如文档类型和尺寸。

### 输出设置

指定输出设置，如输出分辨率和尺寸。

### 图像设置

启用/禁用多种图像修正功能。


### 色彩调整按钮

可以对图像的亮度和色调进行细致修正，包括调整图像的整体亮度或对比度，调整其高光和阴影值(直方图)或平衡(色调曲线)。

### 缩放

放大边框或放大使用裁剪框指定的区域(扫描区域)中的图像。放大后，**缩放**将变为**撤销**。单击**撤销**可以将放大显示的图像返回到放大前的状态。

### 在缩略图视图中：

当在缩略图视图中显示多个图像时，单击该按钮将放大选择框。单击屏幕底部的 (帧快进)以显示上一幅或下一幅图像。


### ►►► 注释

- 您也可以通过双击画面放大图像。再次双击放大的画面可以将其还原至原始状态。

### 在完整图像视图中：

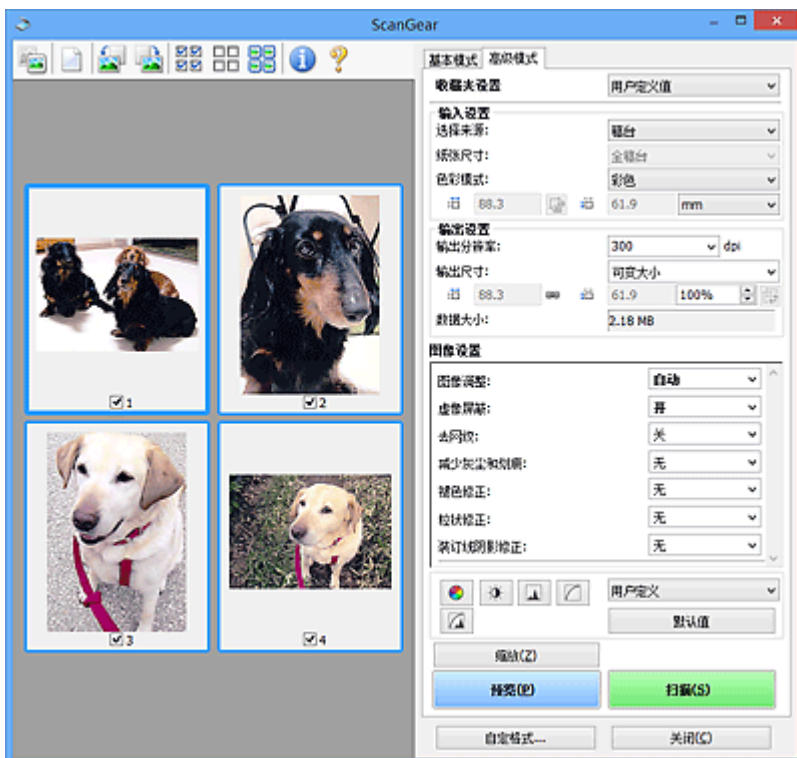
以更大缩放比例重新扫描使用裁剪框指定的区域中的图像。

### ►►► 注释

- **缩放**重新扫描文档，并在预览中显示高分辨率图像。
- 工具栏上的 (放大/缩小)会快速放大预览图像。然而，所显示图像的分辨率将会很低。

## 预览

执行测试扫描。



## 扫描

开始扫描。

### 注

- 扫描开始后会显示进度。要取消扫描，请单击**取消**。
- 完成扫描时，可能会出现提示您选择下一操作的对话框。根据提示完成操作。有关详细资料，请参阅**扫描选项卡(自定义格式对话框)中的扫描完后 ScanGear 对话框状态**。
- 如果要扫描图像的总尺寸超过某一特定尺寸时，则处理该图像将会花费一定时间。在这种情况下，会出现警告信息；建议缩小总尺寸。请在完整图像视图中扫描以继续。

## 自定义格式...

显示自定义格式对话框以进行扫描/预览设置。

## 关闭

关闭 ScanGear(扫描仪驱动程序)。

## (2) 工具栏

调整或旋转预览图像。工具栏上显示的按钮因视图而有所不同。

在缩略图视图中：



在完整图像视图中：





**(缩略图)**



**(完整图像)**

在预览区域切换视图。

### ■ (3) 预览区域



**(清除)**

删除预览区域中的预览图像。

也可以重置工具栏和色彩调整设置。



**(裁剪)**

可以通过拖动鼠标指定扫描区域。



**(移动图像)**

预览区域中放大的图像超出屏幕时可以拖动图像直至显示要查看的部分。您也可以使用滚轴栏来移动图像。



**(放大/缩小)**

可以通过单击图像放大预览区域。右键单击图像以将其缩小。



**(向左旋转)**

将预览图像逆时针旋转 90 度。

- 效果将在扫描的图像中体现。
- 再次预览时，图像会返回到原始状态。



**(向右旋转)**

将预览图像顺时针旋转 90 度。

- 效果将在扫描的图像中体现。
- 再次预览时，图像会返回到原始状态。



**(自动裁剪)**

显示并自动将裁剪框调整为预览区域中显示的文档尺寸。如果在裁剪框内留有裁剪区域，每次单击该按钮时，扫描区域都将缩小。



**(选中所有画面)**

显示两个或更多个边框时可用。

在缩略图视图中选中图像的复选框。



**(取消选中所有画面)**

显示两个或更多个边框时可用。

在缩略图视图中取消选择图像的复选框。



**(选择所有画面)**

显示两个或更多个边框时可用。

选择缩略图视图中的图像，所选图像将带有蓝色外框。



#### (选择所有裁剪框)

指定两个或更多个裁剪框时可用。

使裁剪框变为粗虚线并将该设置应用至所有裁剪框。



#### (删除裁剪框)

删除所选的裁剪框。



#### (信息)

显示 ScanGear 的版本、文档类型和其他当前扫描设置的其他详细信息。



#### (打开指南)

打开该页面。

### (3) 预览区域

单击**预览**后，预览区域为出现的测试图像。在[\(1\) 设置和操作按钮](#)中进行的图像修正、色彩调整和其他设置的结果也会予以反映。



#### (缩略图)显示在工具栏上时:

根据文档尺寸指定裁剪框，并且显示扫描图像的缩略图。仅扫描选中复选框的图像。



#### »» 注释

- 当预览多幅图像时，不同的外框表示不同的选择状态。
  - 聚焦框(粗的蓝色外框): 将应用显示的设置。
  - 选择框(细的蓝色外框): 将设置同时应用于聚焦框和选择框。要选择多个图像，请在按下 Ctrl 键的同时单击图像。
  - 未选择(无外框): 此类裁剪框将不应用设置。



#### (完整图像)显示在工具栏上时:

扫描稿台玻璃上的项目并将其显示为单个图像。将扫描裁剪框中的所有部分。



### 注釋

- 在显示的图像上创建裁剪框。在缩略图视图中，可以为每幅图像创建一个裁剪框。在完整图像视图中，可以创建多个裁剪框。
  - 调整裁剪框(ScanGear)

### 相关主题

- 在高级模式下扫描
- 在高级模式下从自动输稿器扫描多个文档

## 注意事项(扫描仪驱动程序)

ScanGear(扫描仪驱动程序)存在以下限制。使用时，请注意以下要点。

### 扫描仪驱动程序的限制

- 在使用 NTFS 文件系统时，可能无法调用 TWAIN 数据来源。这是因为，为安全起见，TWAIN 模块不能被写入 winnt 文件夹。如需帮助，请联系计算机管理员。
- 连接到本机上的某些计算机(包括便携式计算机)可能无法从待机模式正确地恢复。在这种情况下，请重新启动计算机。
- 请勿将两台或更多台扫描仪，或具有扫描仪功能的多功能打印机同时连接到同一台计算机上。如果连接了多个扫描设备，您将无法从本机的操作面板进行扫描并且可能会在访问设备时出现错误。
- 如果计算机从睡眠或待机模式中恢复，扫描可能失败。在这种情况下，按照以下步骤并重新扫描。
  1. 关闭本机。
  2. 退出 ScanGear，然后从计算机上断开 USB 电缆线，并重新连接。
  3. 开启本机。
- 不能在多个应用程序中同时打开 ScanGear。在一个应用程序中，如果已经打开 ScanGear，则无法再次打开。
- 关闭应用程序前，请务必关闭 ScanGear 窗口。
- 通过连接至网络使用兼容网络的型号时，无法同时从多台计算机访问本机。
- 通过连接至网络使用兼容网络的型号时，扫描时间要比平时长。
- 当以高分辨率扫描大型图像时，请确保有足够的可用磁盘空间。例如，至少需要 300MB 可用空间才能以全彩 600dpi 扫描 A4 文档。
- 无法同时使用 ScanGear 和 WIA 驱动程序。
- 请勿在扫描过程中将计算机设置为待机或睡眠状态。

### 存在使用限制的应用程序

- 一些应用程序可能无法显示 TWAIN 用户界面。在这种情况下，请查阅应用程序手册并相应地更改设置。
- 某些应用程序不支持连续扫描多个文档。有些情况下，只接受扫描的第一幅图像，或者将多幅图像扫描为一幅图像。对于此类应用程序，请勿从自动输稿器扫描多个文档。
- 要将扫描的图像导入 Microsoft Office 2000，首先使用 IJ Scan Utility 保存，然后从**插入**菜单中导入保存的文件。
- 将稿台尺寸图像扫描至 Microsoft Office 2003(如 Word、Excel、PowerPoint 等)时，请在**插入来自扫描仪或照相机的图片**屏幕中单击**自定义插入**。否则，可能无法正确扫描图像。
- 将图像扫描至 Microsoft Office 2007/Microsoft Office 2010(如 Word、Excel、PowerPoint 等)时，请使用 Microsoft 剪辑管理器。
- 在某些应用程序中，可能无法正确扫描图像。在这种情况下，请增加操作系统的虚拟内存并重试。
- 根据应用程序，当图像太大时(如以高分辨率扫描大型图像时)，计算机可能会没有回应或者进度栏仍为 0%。在这种情况下，请取消操作(例如单击进度栏上的**取消**)，然后增加操作系统的虚拟内存或缩小图像尺寸/分辨率，然后重试。或者，首先通过 IJ Scan Utility 扫描图像，然后保存并将其导入应用程序中。



## 扫描提示

- ▶ 放置原稿(从计算机扫描)
- ▶ 网络扫描设置
  - IJ Network Scanner Selector EX2 菜单和设置屏幕

## 放置原稿(从计算机扫描)

本节描述如何在稿台玻璃上放置用于扫描的原稿。如果没有正确放置项目，可能不会正确扫描。

### 重要事项


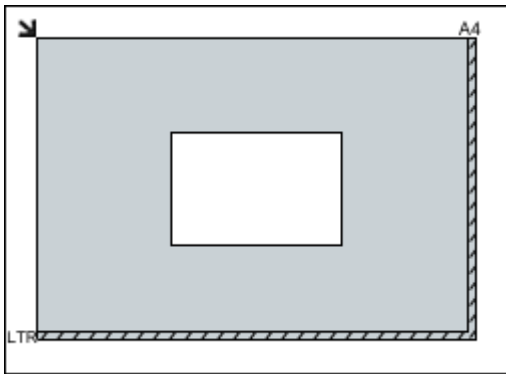

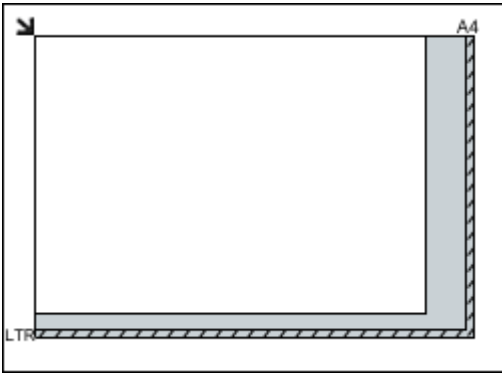
- 请勿在文档盖板上放置物体。打开文档盖板时，物体可能会落入扫描仪或打印机内部，导致故障。
- 扫描时关闭文档盖板。

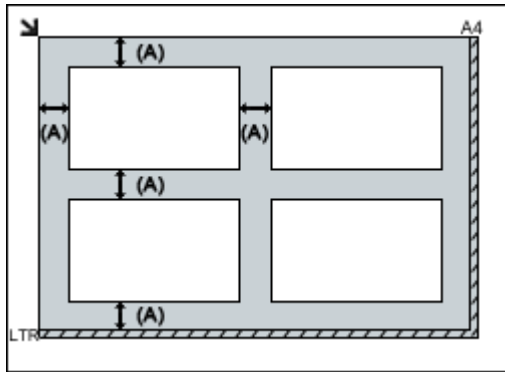
## 放置项目

根据以下说明放置项目以通过自动检测项目类型和尺寸进行扫描。

### 重要事项

- 当在 IJ Scan Utility 或 ScanGear(扫描仪驱动程序)中指定纸张尺寸进行扫描时，将项目的一个顶角与稿台玻璃箭头(对齐标记)指向的角对齐。
- 扫描时剪切或不规则形状的照片和小于 3 厘米(1.2 英寸)的正方形项目无法被正确裁剪。
- 可能无法按预期扫描反光的光盘标签。

照片、明信片、名片和 BD/DVD/CD	杂志、报纸和文档
 <p><b>单个项目：</b> 将项目正面向下放置在稿台玻璃上，在稿台玻璃边缘(斜纹区)与项目之间留有 1 厘米(0.4 英寸)或更多空间。无法扫描放置在斜纹区的部分。</p> 	 <p>请将项目正面向下放置在稿台玻璃上并将项目的一个顶角与稿台玻璃箭头(对齐标记)指向的角对齐。无法扫描放置在斜纹区的部分。</p> 
<h3>重要事项</h3> <ul style="list-style-type: none"><li>• 无法放置在远离稿台玻璃边缘/箭头(对齐标记)的大型项目(如 A4 尺寸照片)可能被保存为 PDF 文件。要以除 PDF 之外的格式保存，请按照指定的数据格式扫描。</li></ul> <p><b>多个项目：</b> 允许稿台玻璃边缘(斜纹区)与项目以及项目与项目之间留有 1 厘米(0.4 英寸)或更大的空间。无法扫描放置在斜纹区的部分。</p>	<h3>重要事项</h3> <ul style="list-style-type: none"><li>• 有关无法用于扫描项目的位置，请参见<a href="#">放置原稿</a>。</li></ul>



(A) 1 厘米(0.4 英寸)以上

►► 注释

- 最多放置 12 个项目。
- 将自动修正倾斜项目(等于或小于 10 度)的位置。

## 网络扫描设置

可以将扫描仪或打印机连接到网络上以在多台计算机中共享它。

### 重要事项

- 多个用户无法同时扫描。

### 注释

- 预先从安装光盘或按照我们网站上的说明完成所用扫描仪或打印机的网络设置。
- 通过网络连接时，扫描时间要比 USB 连接的扫描时间长。

完成下面的设置以能够在网络上进行扫描。

## 指定扫描仪或打印机

使用 IJ Network Scanner Selector EX 来指定想要使用的扫描仪。通过指定扫描仪，可以从计算机通过网络进行扫描。



### 重要事项

- 如果通过 IJ Network Scanner Selector EX 更改要使用的产品，使用 IJ Scan Utility 进行扫描的产品也将更改。

如果在 IJ Scan Utility 中未选择所用的扫描仪或打印机，请确认是否已使用 IJ Network Scanner Selector EX 进行了选择。

有关详细资料，请从在线手册的主页参阅所用型号的“IJ Network Scanner Selector EX2 菜单和设置屏幕”。

### 1. 检查 IJ Network Scanner Selector EX 是否正在运行。

如果 IJ Network Scanner Selector EX 正在运行， (IJ Network Scanner Selector EX2) 显示在桌面的通知区域。单击也可检查隐藏的图标。

### 注释

- 如果图标未显示在桌面的通知区域，请按照以下步骤启动。

- **Windows 10:**

从开始菜单，单击**所有应用 > Canon Utilities > IJ Network Scanner Selector EX2**。

- **Windows 8.1:**


在开始屏幕单击**IJ Network Scanner Selector EX2**。

如果开始屏幕上未显示**IJ Network Scanner Selector EX2**，请选择**搜索**超级按钮，然后搜索“IJ Network Scanner Selector EX”。

- **Windows 7:**

从开始菜单，单击**所有程序 > Canon Utilities > IJ Network Scanner Selector EX2 > IJ Network Scanner Selector EX2**。

图标出现在桌面通知区域中，并且显示从 PC 扫描设置屏幕。在这种情况下，跳转至步骤 3。

2. 在桌面的通知区域，右键单击  (IJ Network Scanner Selector EX2)，然后选择**设置...**。  
显示从 PC 扫描设置屏幕。

3. 从**扫描仪**中选择所用的扫描仪或打印机。

通常，完成网络设置后就已选择所用扫描仪或打印机的 MAC 地址。在这种情况下，您不需要重新选择。

### 重要事项

- 如果在网络中存在多个扫描仪，将出现多个型号名称。在这种情况下，您可以为每个型号选择一个扫描仪。

4. 单击**确定**。


## 使用 IJ Scan Utility 扫描的设置

要从 IJ Scan Utility 使用连接到网络的扫描仪或打印机进行扫描，通过 IJ Network Scanner Selector EX 指定扫描仪或打印机，然后按照以下步骤更改其与计算机之间的连接状态。

1. 启动 IJ Scan Utility。

2. 在**产品名称**中选择“Canon XXX series Network”（“XXX”表示型号名称）。

3. 单击**设置...**以使用其他连接到网络的扫描仪。

4. 单击  (基本设置)，然后单击**产品名称**中的**选择**。

出现 IJ Network Scanner Selector EX 的从 PC 扫描设置屏幕。

选择要使用的扫描仪并单击**确定**。

5. 在**设置(基本设置)**对话框中，单击**确定**。

再次出现 IJ Scan Utility 主屏幕。可以通过网络连接进行扫描。

### 注释

• 如果所用的扫描仪或打印机未显示，请检查以下内容，单击**确定**以关闭屏幕，然后重新打开屏幕并尝试重新选择。

- 已安装 MP Drivers
- 安装 MP Drivers 后已完成扫描仪或打印机的网络设置
- 已启用扫描仪或打印机和计算机间的网络通讯

如果问题仍未解决，请参见[网络通讯问题](#)。

## 常见问题



网络

- [无法在网络上找到打印机](#)
- [使用无线 LAN 时无法找到打印机](#)
- [网络密钥未知](#)
- [无法打印或连接](#)

有关网络的其他问题，[请单击此处](#)。



打印

- [打印不开始](#)
- [纸张空白/打印模糊不清/颜色错误/出现白色条纹](#)
- [打印结果不理想](#)
- [与错误对应的支持代码列表\(卡纸\)](#)
- [无法打印或连接](#)



安装

- [无法安装 MP Drivers\(Windows\)](#)



错误

- [发生错误](#)
- [出现信息\(支持代码\)](#)

## 问题示例

### 打印机不工作

- [电源未开启](#)
- [电源自动关闭](#)
- [LCD 屏幕关闭](#)
- [USB 连接问题](#)
- [无法通过 USB 与打印机通讯](#)
- [打印不开始](#)
- [复印/打印中止](#)
- [无法使用 AirPrint 打印](#)
- [打印速度慢](#)
- [没有墨水喷出](#)
- [与错误对应的支持代码列表\(卡纸\)](#)
- [纸张没有正确送入/“无纸”错误](#)
- [打印结果不理想](#)
- [扫描的问题 \(Windows\)](#)
- [扫描的问题 \(Mac OS\)](#)
- [扫描结果不理想 \(Windows\)](#)

- ■ 扫描结果不理想 (Mac OS)
- ■ 无法从智能手机/平板电脑进行打印/扫描

#### 无法正确设置(网络)

- ■ [设置时无法在检查打印机设置屏幕上找到打印机\(Windows\)](#)
- ■ [使用无线 LAN 时无法找到打印机](#)
- ■ [打印机突然无法使用](#)
- ■ [网络密钥未知](#)
- ■ 为打印机设置的管理员密码未知
- ■ [更换无线路由器或更改其设置后无法使用打印机](#)
- ■ 设置过程中计算机上出现信息
- ■ [检查网络信息](#)
- ■ [恢复至出厂默认值](#)

#### 无法正确设置(安装)

- ■ [无法安装 MP Drivers\(Windows\)](#)
- ■ Easy-WebPrint EX 未启动或未显示 Easy-WebPrint EX 菜单(Windows)
- ■ [在网络环境中更新 MP Drivers\(Windows\)](#)

#### 出现错误或信息

- ■ [发生错误](#)
- ■ [出现信息\(支持代码\)](#)
- ■ 兼容 PictBridge(无线 LAN)的设备出现错误信息
- ■ [与错误对应的支持代码列表](#)
- ■ IJ Scan Utility 错误信息 (Windows)
- ■ IJ Scan Utility Lite 错误信息 (Mac OS)
- ■ ScanGear(扫描仪驱动程序)错误信息 (Windows)

## 操作的问题

---

- ■ [网络通讯问题](#)
- ■ [打印问题](#)
- ■ 从智能手机/平板电脑进行打印/扫描的问题
- ■ [扫描的问题\(Windows\)](#)
- ■ 扫描的问题(Mac OS)
- ■ [机械问题](#)
- ■ [安装和下载问题](#)
- ■ [错误和信息](#)
- ■ 如果无法解决问题

## 网络设置和常见问题

以下是有关网络的常见问题。选择正在使用或要使用的连接方法。



### 无线 LAN

#### 无法找到打印机

- [使用无线 LAN 时无法找到打印机](#)
- [设置时无法在检查打印机设置屏幕上找到打印机\(Windows\)](#)
- [在打印机连接屏幕无法继续操作](#)
- 设置过程中在打印机检测屏幕上搜索后无法找到打印机
- 在设置过程中按 IP 地址或主机名称搜索打印机
- 设置无线 LAN 时出现错误
- [找到其他具有相同名称的打印机](#)
- [更改无线 LAN 连接方法](#)

#### 无法打印或连接

- [打印机突然无法使用](#)
- [更换无线路由器或更改其设置后无法使用打印机](#)
- 无法通过无线 LAN 从通讯设备访问互联网
- 使用简易无线连接连接打印机和无线路由器
- 无法将智能手机/平板电脑连接到无线路由器
- 设置无线 LAN 时出现错误
- [通过 LAN 连接到其他计算机/从 USB 更改为 LAN 连接](#)
- 无法打印或连接

#### LAN 设置提示/更改 LAN 设置

- [网络密钥未知](#)
- 为打印机设置的管理员密码未知
- [检查网络信息](#)
- [恢复至出厂默认值](#)
- 检查无线路由器 SSID/密钥
- 检查用于智能手机/平板电脑的无线路由器 SSID
- 私密隔离功能/SSID 隔离功能/网络隔离功能
- [默认网络设置](#)
- [通过 LAN 连接到其他计算机/从 USB 更改为 LAN 连接](#)
- [打印网络设置](#)
- [更改无线 LAN 连接方法](#)
- 检查状态代码



## 从智能手机/平板电脑打印/扫描

- 使用简易无线连接连接打印机和无线路由器
- 无法将智能手机/平板电脑连接到无线路由器
- 检查用于智能手机/平板电脑的无线路由器 SSID
- 使用智能手机/平板电脑进行设置
- 无法从智能手机/平板电脑进行打印/扫描
- 下载 Canon PRINT Inkjet/SELPHY

## 使用打印机时出现的的问题

- 设置过程中计算机上出现信息
- 打印速度慢
- 打印机状态监视器上未显示墨水量(Windows)
- 不断发送数据包(Windows)

## 无线直连

---

### 无法打印或连接

- [打印机突然无法使用](#)
- 无法通过无线 LAN 从通讯设备访问互联网
- 无法打印或连接

### LAN 设置提示/更改 LAN 设置

- [网络密钥未知](#)
- 为打印机设置的管理员密码未知
- [检查网络信息](#)
- [恢复至出厂默认值](#)
- [打印网络设置](#)
- [默认网络设置](#)
- [更改无线 LAN 连接方法](#)
- 检查状态代码

## 从智能手机/平板电脑打印/扫描

- 无法从智能手机/平板电脑进行打印/扫描
- 下载 Canon PRINT Inkjet/SELPHY

## 使用打印机时出现的的问题

- 设置过程中计算机上出现信息
- 打印速度慢
- 打印机状态监视器上未显示墨水量(Windows)

## 网络通讯问题

- ▶ 无法在网络上找到打印机
- ▶ 网络连接问题
- ▶ 其他网络问题

## 无法在网络上找到打印机

执行打印机设置时：

- ▶ 设置时无法在检查打印机设置屏幕上找到打印机(Windows)
- ▶ 在打印机连接屏幕无法继续操作

使用打印机时：

- ▶ 使用无线 LAN 时无法找到打印机

## 设置时无法在检查打印机设置屏幕上找到打印机(Windows)

如果找不到打印机，并且在**搜索打印机**屏幕上通过**自动搜索**来搜索打印机后出现**检查打印机设置**屏幕，请单击**重新检测**，然后在**搜索打印机**屏幕上按 IP 地址重新搜索打印机。

如果在按 IP 地址搜索后仍未找到打印机，请检查网络设置。



- [进行无线 LAN 设置时无法在检查打印机设置屏幕上找到打印机\(Windows\)-检查电源状态](#)
- [进行无线 LAN 设置时无法在检查打印机设置屏幕上找到打印机\(Windows\)-检查计算机网络连接](#)
- [进行无线 LAN 设置时无法在检查打印机设置屏幕上找到打印机\(Windows\)-检查打印机的无线 LAN 设置](#)
- [进行无线 LAN 设置时无法在检查打印机设置屏幕上找到打印机\(Windows\)-检查无线 LAN 环境](#)
- [进行无线 LAN 设置时无法在检查打印机设置屏幕上找到打印机\(Windows\)-检查打印机的 IP 地址](#)
- [进行无线 LAN 设置时无法在检查打印机设置屏幕上找到打印机\(Windows\)-检查安全软件设置](#)
- [进行无线 LAN 设置时无法在检查打印机设置屏幕上找到打印机\(Windows\)-检查无线路由器设置](#)



## 进行无线 LAN 设置时无法在检查打印机设置屏幕上找到打印机 (Windows)-检查电源状态

---



### 是否已开启打印机和网络设备(路由器等)?

确保打印机已开启。

#### ■ [确认电源已开启](#)

确保网络设备(路由器等)已开启。

### 如果打印机或网络设备已关闭:

开启打印机或网络设备。

打印机和网络设备开启后,可能需要一些时间才能准备就绪。开启打印机或网络设备后等待一段时间,然后单击**检查打印机设置**屏幕上的**重新检测**以重新检测打印机。

找到打印机时,请按照屏幕上的说明操作继续设置网络通讯。

### 如果打印机和网络设备已开启:

如果网络设备已开启,请将其关闭,然后重新开启。

如果上述操作未能解决问题:

#### ■ [进行无线 LAN 设置时无法在检查打印机设置屏幕上找到打印机\(Windows\)-检查计算机网络连接](#)



## 进行无线 LAN 设置时无法在检查打印机设置屏幕上找到打印机 (Windows)-检查计算机网络连接

---



### 是否可以在计算机上查看任何网页？

确保计算机和网络设备(路由器等)已配置以及计算机已连接到网络。

### 如果无法查看网页：

单击**检查打印机设置**屏幕上的**取消**以取消设置网络通讯。

此后，配置计算机和网络设备。

有关步骤，请参阅计算机和网络设备附带的说明手册，或联系其制造商。

如果在配置计算机和网络设备之后可以查看网页，尝试从开头设置网络通讯。

如果上述操作未能解决问题：

- [进行无线 LAN 设置时无法在检查打印机设置屏幕上找到打印机\(Windows\)-检查打印机的无线 LAN 设置](#)




## 进行无线 LAN 设置时无法在检查打印机设置屏幕上找到打印机 (Windows)-检查打印机的无线 LAN 设置

---



### 打印机是否设置为允许无线通讯？

确保 LCD 屏幕上显示  图标。

### 如果未显示图标：

打印机未设置为允许无线通讯。 在打印机上开启无线通讯。

### 如果显示图标：


- [进行无线 LAN 设置时无法在检查打印机设置屏幕上找到打印机\(Windows\)-检查无线 LAN 环境](#)

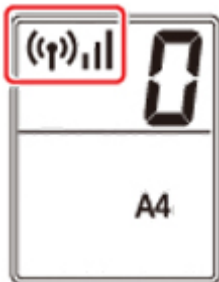


## 进行无线 LAN 设置时无法在检查打印机设置屏幕上找到打印机 (Windows)-检查无线 LAN 环境



### 打印机是否已连接到无线路由器？

使用  图标右侧的信号检查打印机和无线路由器的连接状态。



如果显示 :

- 检查无线路由器配置。

检查无线路由器设置后，确保未将打印机放置于距离无线路由器过远的位置。

打印机最远可距离室内无线路由器 50 米(164 英尺)。确保打印机离要使用的无线路由器足够近。

无线路由器与打印机的放置位置之间应没有障碍物。在不同房间或楼层的无线通讯通常不佳。含金属或混凝土的建筑材料可能会阻碍无线通讯。如果由于墙壁而使打印机无法通过无线 LAN 与计算机通讯，请将打印机和计算机放置在同一房间。

此外，如果附近有发出与无线路由器相同频率频宽的无线电波的设备(如微波炉)，则可能会造成干扰。将无线路由器放置于尽量远离干扰源的地方。

#### ▶▶▶ 注释

- 虽然多数无线路由器附带天线，还请注意部分无线路由器的天线装在机身内部。

- 检查无线路由器设置。

应使用 2.4GHz 频宽连接打印机和无线路由器。确保打印机的连接目标的无线路由器配置为 2.4GHz 频宽。

#### ▶▶▶ 重要事项

- 请注意，部分无线路由器会根据其带宽(2.4GHz 或 5GHz)或用途(计算机或游戏机)，用末尾的字母数字字符对 SSID 加以区分。

要检查打印机连接的无线路由器的 SSID，请打印网络设置。

#### ■ [打印网络设置](#)




有关详细资料，请参见无线路由器附带的说明手册或联系制造商。

采取上述措施后，单击**检查打印机设置**屏幕上的**重新检测**以重新检测打印机。

找到打印机时，请按照屏幕上的说明操作继续设置网络通讯。

如果无法检测到打印机，则打印机未连接到无线路由器。将打印机连接到无线路由器。

将打印机连接到无线路由器后，重新设置网络通讯。

如果显示 、 或 ：

- [进行无线 LAN 设置时无法在检查打印机设置屏幕上找到打印机\(Windows\)-检查打印机的 IP 地址](#)



## 进行无线 LAN 设置时无法在检查打印机设置屏幕上找到打印机 (Windows)-检查打印机的 IP 地址

---



### 是否正确指定打印机的 IP 地址？

如果未正确指定打印机的 IP 地址，可能无法找到打印机。确认打印机的 IP 地址是否未用于其他设备。

要检查打印机的 IP 地址，请打印出网络设置信息。

- [打印网络设置](#)

### 如果未正确指定 IP 地址：

请参见如果出现错误屏幕：并指定 IP 地址。

### 如果已正确指定 IP 地址：

- [进行无线 LAN 设置时无法在检查打印机设置屏幕上找到打印机\(Windows\)-检查安全软件设置](#)



## 进行无线 LAN 设置时无法在检查打印机设置屏幕上找到打印机 (Windows)-检查安全软件设置



### 暂时禁用防火墙功能中的限制。

计算机的安全软件或操作系统的防火墙可能限制打印机和计算机之间的通讯。检查安全软件或操作系统的防火墙设置或计算机上显示的信息并暂时禁用限制。

### 如果防火墙干扰设置：

- 如果出现信息：

如果出现 Canon 软件正在尝试访问网络的警告信息，将安全软件设置为允许访问。

允许软件访问后，单击**检查打印机设置**屏幕上的**重新检测**以重新检测打印机。

找到打印机时，请按照屏幕上的说明操作继续设置网络通讯。

- 如果未出现信息：

取消设置，然后将安全软件设置为允许 Canon 软件访问网络。

安装光盘中 **win > Driver > DrvSetup** 文件夹下的 **Setup.exe** 或 **Setup64.exe** 文件  
设置完安全软件后，从开始重新执行网络通讯设置。

设置完成后，启用防火墙。

### 注 释

- 有关操作系统或安全软件的防火墙设置的更多信息，请参见说明手册或联系其制造商。

如果上述操作未能解决问题：

- [进行无线 LAN 设置时无法在检查打印机设置屏幕上找到打印机\(Windows\)-检查无线路由器设置](#)



## 进行无线 LAN 设置时无法在检查打印机设置屏幕上找到打印机 (Windows)-检查无线路由器设置

---



### 检查无线路由器设置。

检查无线路由器的网络连接设置，如 IP 地址筛选、MAC 地址筛选、加密密钥和 DHCP 功能。

确保指派给无线路由器与指派给打印机的无线电通道相同。

要检查无线路由器的设置，请参见无线路由器附带的说明手册或联系其制造商。

此外，请确保使用的无线路由器配置为 2.4GHz 频宽。

### 重要事项

- 请注意，部分无线路由器会根据带宽(2.4GHz 或 5GHz)或用途(计算机或游戏机)，在 SSID 末尾使用字母数字字符指派不同的 SSID。

检查无线路由器的设置后，单击**检查打印机设置**屏幕上的**重新检测**以重新检测打印机。

找到打印机时，请按照屏幕上的说明操作继续设置网络通讯。



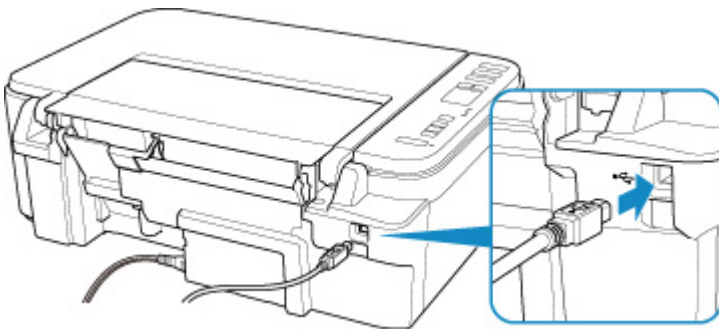
## 在打印机连接屏幕无法继续操作



如果在**打印机连接**屏幕无法继续操作，请检查以下内容。

**检查 1** 确保 USB 电缆线已稳固地插入打印机和计算机中。

如下图所示，使用 USB 电缆线连接打印机和计算机。USB 端口位于打印机后部。




### 重要事项

- 将“B 型”端子有凹槽的一面向上连接到打印机。有关详细资料，请参阅 USB 电缆线附带的说明手册。

**检查 2** 请按照以下步骤再次连接打印机和计算机。

### 重要事项

- 对于 Mac OS，确保锁定图标位于**打印机和扫描仪**屏幕的左下方。

如果显示  图标(锁定)，单击该图标可解锁。(需要管理员名称和密码才能解锁。)

1. 从打印机和计算机拔出 USB 电缆线，然后再次连接。
2. 确保没有进行任何打印机操作，然后将其关闭。
3. 开启打印机。

**检查 3** 如果无法解决问题，请按照以下步骤重新安装 MP Drivers。

- 对于 Windows：
  1. 单击**取消**。
  2. 在**设置已取消**屏幕上单击**返回初始界面**。
  3. 单击**开始设置**屏幕上的**退出并完成设置**。
  4. 关闭打印机。
  5. 重新启动计算机。
  6. 确保没有应用程序软件正在运行。
  7. 在网页上执行设置。

## 注 释

- 可以使用安装光盘恢复设置。

### • 对于 Mac OS:

#### 1. 单击下一步。

- 如果出现提示安装未完成的屏幕，请单击显示屏幕上的**中止**结束设置。

- 如果出现**连接失败**。屏幕：

#### 1. 单击下一步。

#### 2. 在显示的屏幕上单击下一步。

#### 3. 在**选择打印机**屏幕上单击**返回初始界面**。

#### 4. 单击**开始设置**屏幕上的**退出**并完成设置。

#### 3. 关闭打印机。

#### 4. 重新启动计算机。

#### 5. 确保没有应用程序软件正在运行。

#### 6. 在网页上执行设置。




## 使用无线 LAN 时无法找到打印机



**检查 1** 确保打印机已开启。

**检查 2** 检查 LCD 屏幕上是否有  (网络状态) 图标。

如果未显示该图标，按住 **网络** 按钮 2 秒以上可启用无线 LAN。

如果显示  图标，请参见检查 3 或之后的检查项，以确认打印机设置是否完成，或要连接的无线路由器的设置是否正确。

**检查 3** 确保打印机设置已完成。

如果未完成，请执行设置。

- 对于 Windows：  
使用安装光盘或从网页执行设置。
- 对于 Mac OS：  
从网页执行设置。

### ▶▶▶ 注释

- IJ Network Device Setup Utility 可诊断并修复网络状态。请从网页下载。
  - 对于 Windows
  - 对于 Mac OS

**检查 4** 确保打印机与无线路由器网络设置相符。

确保打印机的网络设置(例如，无线路由器名称、SSID、网络密钥等)与无线路由器的网络设置相同。

要检查无线路由器的设置，请参阅无线路由器附带的说明手册或联系其制造商。

### ▶▶▶ 注释

- 使用 2.4GHz 频带连接无线路由器。使为打印机设置的 SSID 与 2.4GHz 频带无线路由器的 SSID 匹配。

要查看为打印机设置的 SSID，请打印出网络设置信息。

- [打印网络设置](#)

### ▶▶▶ 注释

- IJ Network Device Setup Utility 可诊断并修复网络状态。  
选择下列链接，下载 IJ Network Device Setup Utility 并安装。
  - 使用 IJ Network Device Setup Utility 检查打印机连接状态

有关 IJ Network Device Setup Utility 的启动，请参见以下内容。

- 对于 Windows:
  - 启动 IJ Network Device Setup Utility
- 对于 Mac OS:
  - 启动 IJ Network Device Setup Utility

#### 检查 5 确保未将打印机放置于距离无线路由器过远的位置。

无线路由器与打印机的放置位置之间应没有障碍物。在不同房间或楼层的无线通讯通常不佳。含金属或混凝土的建筑材料可能会阻碍无线通讯。如果由于墙壁而使打印机无法通过无线 LAN 与计算机通讯，请将打印机和计算机放置在同一房间。

此外，如果附近有发出与无线路由器相同频率频宽的无线电波的设备(如微波炉)，则可能会造成干扰。将无线路由器放置于尽量远离干扰源的地方。

#### 注 释

- 虽然多数无线路由器附带天线，还请注意部分无线路由器的天线装在机身内部。

#### 检查 6 确保有较强的无线信号。监视信号强度，并根据需要移动打印机和无线路由器。

检查 LCD 屏幕上的信号强度。

#### ■ [LCD 屏幕指示](#)

#### 注 释

- IJ Network Device Setup Utility 可诊断并修复网络状态。  
选择下列链接，下载 IJ Network Device Setup Utility 并安装。
    - 使用 IJ Network Device Setup Utility 检查打印机连接状态
- 有关 IJ Network Device Setup Utility 的启动，请参见以下内容。
- 对于 Windows:
    - 启动 IJ Network Device Setup Utility
  - 对于 Mac OS:
    - 启动 IJ Network Device Setup Utility

#### 检查 7 确保计算机已连接到无线路由器。

有关如何检查计算机设置或连接状态的详细资料，请参见计算机说明手册或与其制造商联系。

#### 注 释

- 如果使用智能手机或平板电脑，请确保设备上启用了 Wi-Fi。

#### 检查 8 请确保在打印机驱动程序属性对话框的端口选项卡中选择了启用双向支持。(Windows)

否则，请选择该项，以启用双向支持。

#### 检查 9 确保安全软件的防火墙已关闭。



如果开启了安全软件的防火墙，则可能显示 Canon 软件正在尝试访问网络的警告信息。如果出现警告信息，请将安全性软件设置为始终允许访问。

如果正在使用任何切换网络环境的程序，请检查其设置。某些程序默认使用防火墙。

**检查 10** 如果通过 LAN 将打印机连接到 AirPort 基站，请确保为网络标识符(SSID)使用字母数字字符。(Mac OS)

**如果问题未解决，请恢复设置。**

- 对于 Windows:  
使用安装光盘或从网页执行设置。
- 对于 Mac OS:  
从网页执行设置。

## 网络连接问题

- ▶ 打印机突然无法使用
- ▶ 网络密钥未知
- ▶ 更换无线路由器或更改其设置后无法使用打印机

## 打印机突然无法使用

- [网络设置更改后无法与打印机通讯](#)
- [无法通过无线 LAN 与打印机通讯](#)
- [无法使用无线直连与打印机通讯](#)
- [无法从连接到网络的计算机打印或扫描](#)

### 网络设置更改后无法与打印机通讯

#### A

计算机获取 IP 地址可能会花费一些时间，或需要重新启动计算机。

确保计算机获得有效的 IP 地址，然后再次尝试查找打印机。

### 无法通过无线 LAN 与打印机通讯

#### A

**检查 1** 检查打印机、网络设备(如无线路由器)和智能手机/平板电脑的电源状态。

开启打印机或设备。

如果电源已开启，请将其关闭，然后重新开启。

可能需要解决无线路由器问题(如密钥的更新间隔、DHCP 更新间隔问题、节能模式等)或更新无线路由器固件。


有关详细资料，请联系无线路由器的制造商。

**检查 2** 是否可以在计算机上查看任何网页？

确保计算机已正确连接到无线路由器。

有关检查计算机设置或连接状态的更多内容，请参见无线路由器附带的说明手册或联系制造商。

**检查 3** 打印机是否已连接到无线路由器？

使用 LCD 屏幕上的图标检查打印机和无线路由器之间的连接状态。如果未显示  图标，则无线 LAN 已禁用。在打印机上开启无线通讯。

**检查 4** 确保打印机与无线路由器网络设置相符。

确保打印机的网络设置(例如，无线路由器名称、SSID、网络密钥等)与无线路由器的网络设置相同。

要检查无线路由器的设置，请参阅无线路由器附带的说明手册或联系其制造商。

要检查打印机的当前网络设置，请打印出网络设置信息。

■ [打印网络设置](#)

#### 注释

- IJ Network Device Setup Utility 可诊断并修复网络状态。

选择下列链接，下载 IJ Network Device Setup Utility 并安装。

- 使用 IJ Network Device Setup Utility 检查打印机连接状态

有关 IJ Network Device Setup Utility 的启动，请参见以下内容。

- 对于 Windows:
  - 启动 IJ Network Device Setup Utility
- 对于 Mac OS:
  - 启动 IJ Network Device Setup Utility

#### 检查 5 确保未将打印机放置于距离无线路由器过远的位置。

无线路由器与打印机的放置位置之间应没有障碍物。在不同房间或楼层的无线通讯通常不佳。含金属或混凝土的建筑材料可能会阻碍无线通讯。如果由于墙壁而使打印机无法通过无线 LAN 与计算机通讯，请将打印机和计算机放在同一房间。

此外，如果附近有发出与无线路由器相同频率频宽的无线电波的设备(如微波炉)，则可能会造成干扰。将无线路由器放置于尽量远离干扰源的地方。

#### ►► 注释

- 虽然多数无线路由器附带天线，还请注意部分无线路由器的天线装在机身内部。

#### 检查 6 确保有较强的无线信号。监视信号状态，并根据需要移动打印机和无线路由器。

检查 LCD 屏幕上的信号强度。

- [LCD 屏幕指示](#)

#### ►► 注释

- IJ Network Device Setup Utility 可诊断并修复网络状态。

选择下列链接，下载 IJ Network Device Setup Utility 并安装。

- 使用 IJ Network Device Setup Utility 检查打印机连接状态

有关 IJ Network Device Setup Utility 的启动，请参见以下内容。

- 对于 Windows:
  - 启动 IJ Network Device Setup Utility
- 对于 Mac OS:
  - 启动 IJ Network Device Setup Utility

#### 检查 7 确保正在使用有效的通道。

根据计算机所使用的无线网络设备，可用的无线通道可能会受限制。请参见计算机或无线网络设备随附的说明手册以查看可用的无线通道。

#### 检查 8 确保无线路由器上设置的通道是检查 7 中确认的可用通道。

否则，请更改无线路由器上的通道设置。

#### 检查 9 确保安全软件的防火墙已关闭。

如果开启了安全软件的防火墙，则可能显示 Canon 软件正在尝试访问网络的警告信息。如果出现警告信息，请将安全性软件设置为始终允许访问。

如果正在使用任何切换网络环境的程序，请检查其设置。某些程序默认使用防火墙。

**检查 10** 如果通过 LAN 将打印机连接到 AirPort 基站，请确保为网络标识符(SSID)使用字母数字字符。(Mac OS)

**如果问题未解决，请恢复设置。**

- 对于 Windows：  
使用安装光盘或从网页执行设置。
- 对于 Mac OS：  
从网页执行设置。
- **定位：**  
确保在无线路由器与打印机之间没有障碍物。

## 无法使用无线直连与打印机通讯

### 

**检查 1** 检查打印机和其他设备(智能手机或平板电脑)的电源状态。

开启打印机或设备。

如果电源已开启，请将其关闭，然后重新开启。

**检查 2** 检查打印机设置。

确保 LCD 屏幕上显示  (直连)图标。

否则，按直连按钮 2 秒以上，启用无线直连。

**检查 3** 检查设备(智能手机/平板电脑)的设置。

确保设备上已启用无线 LAN。

有关详细资料，请参阅设备的说明手册。

**检查 4** 确保将打印机选择为设备(例如智能手机或平板电脑)的连接目标。

选择为打印机指定的无线直连标识符(SSID)作为设备的连接目标。

检查设备上的目标位置。

有关详细资料，请参阅设备说明手册或访问制造商网站。

要检查为打印机指定的无线直连标识符(SSID)，请打印出打印机的网络设置信息。

 [打印网络设置](#)

### 检查 5 是否已输入为无线直连指定的正确密码？

要检查为打印机指定的密码，打印出打印机的网络设置信息。

#### ■ 打印网络设置

### 检查 6 确保未将打印机放置于距离设备过远的位置。

设备与打印机的放置位置之间应没有障碍物。在不同房间或楼层的无线通讯通常不佳。含金属或混凝土的建筑材料可能会阻碍无线通讯。如果由于墙壁而使打印机无法通过无线 LAN 与计算机通讯，请将打印机和计算机放在同一房间。

此外，如果附近有发出与无线路由器相同频率频宽的无线电波的设备(如微波炉)，则可能会造成干扰。将无线路由器放置于尽量远离干扰源的地方。

将设备放置在与打印机距离适当的位置。

### 检查 7 确保已连接 5 台设备。

无线直连不允许连接超过 5 台设备。

## 无法从连接到网络的计算机打印或扫描

### A

#### 检查 1 确保计算机已连接到无线路由器。

有关如何检查计算机设置或连接状态的详细资料，请参见计算机说明手册或与其制造商联系。

#### 检查 2 如果 MP Drivers 尚未安装，请进行安装。(Windows)

使用安装光盘或从 Canon 网站安装 MP Drivers。

#### 检查 3 确保无线路由器未限制计算机访问。

有关连接和设置无线路由器的更多信息，请参见无线路由器说明手册或联系其制造商。

#### ▶▶▶ 注释

- 要检查计算机的 MAC 地址或 IP 地址，请参见[检查计算机 IP 地址或 MAC 地址](#)。

## 网络密钥未知

- [为无线路由器设置的 WPA/WPA2 或 WEP 密钥未知，无法连接](#)
- [设置加密密钥](#)

**Q** 为无线路由器设置的 WPA/WPA2 或 WEP 密钥未知，无法连接

**A**

有关设置无线路由器的更多信息，请参见无线路由器附带的说明手册或联系其制造商。确保计算机可以与无线路由器进行通讯。

### »» 注释

- IJ Network Device Setup Utility 可诊断并修复网络状态。  
选择下列链接，下载 IJ Network Device Setup Utility 并安装。
  - 使用 IJ Network Device Setup Utility 检查打印机连接状态有关 IJ Network Device Setup Utility 的启动，请参见以下内容。
  - 对于 Windows：
    - 启动 IJ Network Device Setup Utility
  - 对于 Mac OS：
    - 启动 IJ Network Device Setup Utility

**Q** 设置加密密钥

**A**

有关设置无线路由器的更多信息，请参见无线路由器附带的说明手册或联系其制造商。确保计算机可以与无线路由器进行通讯。

### »» 注释

- IJ Network Device Setup Utility 可诊断并修复网络状态。  
选择下列链接，下载 IJ Network Device Setup Utility 并安装。
  - 使用 IJ Network Device Setup Utility 检查打印机连接状态有关 IJ Network Device Setup Utility 的启动，请参见以下内容。
  - 对于 Windows：
    - 启动 IJ Network Device Setup Utility
  - 对于 Mac OS：
    - 启动 IJ Network Device Setup Utility

为安全起见，建议选择 WPA、WPA2 或 WPA/WPA2。如果无线路由器与 WPA/WPA2 兼容，也可以使用 WPA2 或 WPA。

#### • 使用 WPA/WPA2

无线路由器、打印机以及计算机上的认证方法、密码和动态加密类型都必须一致。

输入在无线路由器上配置的密码(由 8 至 63 个字母数字字符组成的序列，或 64 个字符的十六进制数字)。

自动选择 TKIP(基本加密)或 AES(安全加密)作为动态加密方法。

有关详细资料，请参见如果出现 WPA/WPA2 详细信息屏幕。

#### ▶▶▶ 注释

- 打印机支持 WPA/WPA2-PSK(WPA/WPA2-个人)和 WPA2-PSK(WPA2-个人)。

#### • 使用 WEP

无线路由器、打印机以及计算机的密钥长度、密钥格式、要使用的密钥(密钥 1 到 4 中的一个)和认证方法都必须一致。

要与使用自动产生的 WEP 密钥的无线路由器通讯，必须将打印机设置为使用无线路由器产生的密钥并以十六进制格式输入。

- 对于 Windows:

在 IJ Network Device Setup Utility 中的**网络设置(无线 LAN)**屏幕上单击**搜索...**后，出现**WEP 详细信息**屏幕时，请按照屏幕上的说明设置 WEP 密钥长度、格式和号码。

有关详细资料，请参见如果出现 WEP 详细信息屏幕。

#### ▶▶▶ 注释

- 如果通过 LAN 将打印机连接到 AirPort 基站:

如果通过 LAN 将打印机连接到 AirPort 基站，请检查 **AirPort 实用工具**的**无线安全性**中的设置。

- 如果在 AirPort 基站中选择了 **WEP 40 bit** 作为密钥长度，则选择 **64 位**。
- 将**密钥 ID** 选择为 **1**。否则，计算机将无法通过无线路由器与打印机通讯。





## 更换无线路由器或更改其设置后无法使用打印机



更换无线路由器时，请重新执行打印机的网络设置。

- 对于 Windows：  
使用安装光盘或从网页执行设置。
- 对于 Mac OS：  
从网页执行设置。

### 注释

- IJ Network Device Setup Utility 可诊断并修复网络状态。  
选择下列链接，下载 IJ Network Device Setup Utility 并安装。
  - 使用 IJ Network Device Setup Utility 检查打印机连接状态有关 IJ Network Device Setup Utility 的启动，请参见以下内容。
  - 对于 Windows：
    - 启动 IJ Network Device Setup Utility
  - 对于 Mac OS：
    - 启动 IJ Network Device Setup Utility

如果此操作未能解决问题，请参见以下内容。

- [在无线路由器上启用 MAC/IP 地址筛选或加密密钥后无法与打印机通讯](#)
- [启用加密时，在无线路由器上更改加密类型后无法与打印机通讯](#)



## 在无线路由器上启用 MAC/IP 地址筛选或加密密钥后无法与打印机通讯



### 检查 1 检查无线路由器设置。

要检查无线路由器设置，请参见无线路由器附带的说明手册或联系其制造商。请确保在此设置下计算机和无线路由器之间可以相互通讯。

### 检查 2 如果在无线路由器上筛选 MAC 地址或 IP 地址，请确认计算机、网络设备和打印机的 MAC 地址或 IP 地址是否已注册。

**检查 3** 如果使用 WPA/WPA2 或 WEP 密钥，请确保计算机、网络设备和打印机的加密密钥与为无线路由器设置的密钥相符。

除 WEP 密钥自身外，打印机、无线路由器以及计算机的密钥长度、密钥格式、要使用的密钥 ID 和认证方法都必须相符。

有关详细资料，请参见[设置加密密钥](#)。

## 启用加密时，在无线路由器上更改加密类型后无法与打印机通讯

---

### A

如果更改打印机的加密类型后打印机无法与计算机通讯，请确保计算机和无线路由器的加密类型与为打印机设置的加密类型相符。

- [在无线路由器上启用 MAC/IP 地址筛选或加密密钥后无法与打印机通讯](#)

## 其他网络问题

- ▶ 检查网络信息
- ▶ 恢复至出厂默认值

## 检查网络信息

- [检查打印机 IP 地址或 MAC 地址](#)
- [检查计算机 IP 地址或 MAC 地址](#)
- [检查计算机、打印机和无线路由器之间的通讯](#)
- [检查网络设置信息](#)

### 检查打印机 IP 地址或 MAC 地址

---

#### 

要查看打印机的 IP 地址或 MAC 地址，请打印出网络设置信息。

- [打印网络设置](#)

对于 Windows，可以在计算机屏幕上检查网络设置信息。

- Canon IJ Network Device Setup Utility 屏幕

### 检查计算机 IP 地址或 MAC 地址

---

#### 

要检查计算机的 IP 地址或 MAC 地址，请按照以下说明操作。

- 对于 Windows:

1. 如下所示，选择**命令提示符**。

在 Windows 10 环境下，右键单击**开始**按钮并选择**命令提示符**。

在 Windows 8.1 环境下，从**开始**屏幕上选择**命令提示符**。如果**开始**屏幕上未显示**命令提示符**，请选择**搜索**超级按钮，然后搜索“**命令提示符**”。

在 Windows 7 环境下，单击**开始** > **所有程序** > **附件** > **命令提示符**。

2. 输入“ipconfig/all”并按**回车**。

将出现计算机的 IP 地址和 MAC 地址。如果计算机未连接到网络，则不会显示 IP 地址。

- 对于 Mac OS:

1. 从 Apple 菜单选择**系统偏好设置**，然后单击**网络**。

2. 确保已选择计算机使用的网络接口，然后单击**高级**。

确保将 **Wi-Fi** 选择为网络接口。

3. 检查 IP 地址或 MAC 地址。

单击 **TCP/IP** 以检查 IP 地址。

单击 **硬件** 以检查 MAC 地址。

## 检查计算机、打印机和无线路由器之间的通讯

### A

执行 ping 测试以检查是否发生通讯。

- 对于 Windows:

1. 如下所示, 选择**命令提示符**。

在 Windows 10 环境下, 右键单击**开始**按钮并选择**命令提示符**。

在 Windows 8.1 环境下, 从**开始**屏幕上选择**命令提示符**。如果**开始**屏幕上未显示**命令提示符**, 请选择**搜索**超级按钮, 然后搜索“**命令提示符**”。

在 Windows 7 环境下, 单击**开始** > **所有程序** > **附件** > **命令提示符**。

2. 键入 ping 命令并按回车。

ping 命令如下: ping XXX.XXX.XXX.XXX

“XXX.XXX.XXX.XXX”是目标设备的 IP 地址。

如果发生通讯, 会出现如下信息。

来自 XXX.XXX.XXX.XXX 的回复: 字节=32 时间=10ms TTL=255

如果出现**请求超时**, 则未发生通讯。

- 对于 Mac OS:

1. 如下所示启动**网络实用工具**。

在 Finder 的**转到**菜单上选择**计算机**, 双击 **Macintosh HD** > **系统** > **资源库** > **CoreServices** > **应用程序** > **网络实用工具**。

2. 单击 **Ping**。

3. 确保已选择**仅发送 XX 个 ping**(XX 为数字)。

4. 在**输入要 ping 的网络地址**中输入目标无线路由器或打印机的 IP 地址。

5. 单击 **Ping**。

“XXX.XXX.XXX.XXX”是目标设备的 IP 地址。

出现如下信息。

64 bytes from XXX.XXX.XXX.XXX: icmp\_seq=0 ttl=64 time=3.394 ms

64 bytes from XXX.XXX.XXX.XXX: icmp\_seq=1 ttl=64 time=1.786 ms

64 bytes from XXX.XXX.XXX.XXX: icmp\_seq=2 ttl=64 time=1.739 ms

--- XXX.XXX.XXX.XXX ping statistics ---

3 packets transmitted, 3 packets received, 0% packet loss

如果数据包丢失(packet loss)为 100%, 则未发生通讯。否则, 计算机与目标设备通讯。

## 检查网络设置信息

---

### A

要检查打印机的网络设置信息，请打印出网络设置信息。

- [打印网络设置](#)



## 恢复至出厂默认值

---



### 重要事项

- 对于 Windows:  
初始化会删除打印机上的所有网络设置，导致无法通过网络从计算机进行打印或扫描操作。要在恢复至出厂默认值后再次通过网络使用打印机，请使用安装光盘或从网页重新执行设置。
- 对于 Mac OS:  
初始化会删除打印机上的所有网络设置，导致无法通过网络从计算机进行打印或扫描操作。要在恢复至出厂默认值后再次通过网络使用打印机，请从网页重新执行设置。

按**设置**按钮直至 LCD 屏幕上出现“11”，然后按**黑白**按钮或**彩色**按钮。

网络设置已初始化。

## 打印问题

- ▶ 打印不开始
- ▶ 没有墨水喷出
- ▶ 纸张没有正确送入/“无纸”错误
- ▶ 打印结果不理想





## 打印不开始



**检查 1** 确保打印机插头已稳固地插入，然后按**电源**按钮开启打印机。

打印机正在初始化时，**电源**指示灯会闪烁。请等待至**电源**指示灯停止闪烁并持续亮起。

### »» 注释

- 如果正在打印大量数据(如照片或其他图形)，可能需要更长的时间才能开始打印。计算机正在处理数据并将其发送到打印机时，**电源**指示灯会闪烁。请等待至打印开始。

**检查 2** 确保打印机已正确连接到计算机。

使用 USB 电缆线将打印机连接到计算机时，请检查以下项目：

- 如果正在使用继电器设备(如 USB 集线器)，请断开连接，将打印机直接连接到计算机，并重试打印。如果打印正常开始，则继电器设备有问题。请与继电器设备厂商联系。
- 也可能是 USB 电缆线有问题。更换 USB 电缆线并重试打印。

如果通过 LAN 使用打印机，请确保已正确设置打印机以供网络使用。

### »» 注释

- IJ Network Device Setup Utility 可诊断并修复网络状态。请从网页下载。
  - 对于 Windows
  - 对于 Mac OS

**检查 3** 确保纸张设置与后端托盘的设置信息匹配。

如果纸张设置与后端托盘的设置信息不匹配，LCD 屏幕上会出现错误代码，并且计算机上会出现信息。

### ■ 发生错误

**检查 4** 如果从计算机打印，请删除不需要的打印作业。

- 对于 Windows：
  - 删除不需要的打印作业
- 对于 Mac OS：
  - 删除不需要的打印作业

**检查 5** 打印时是否已选择打印机的打印机驱动程序？

如果正在使用的是其他打印机的打印机驱动程序，则打印机将无法正确打印。

- 对于 Windows：
  - 确保在打印对话框中选择了“Canon XXX series” (“XXX”表示打印机的名称)。

## »» 注释

- 要将打印机作为默认选择的打印机，请选择**设置为默认打印机**。

- 对于 Mac OS:

确保在打印对话框的**打印机**中选择了所用打印机的名称。

## »» 注释

- 要将打印机作为默认选择的打印机，请将打印机选择为**默认打印机**。

### 检查 6 打印数据是否过大? (Windows)

单击打印机驱动程序**页设置**选项卡上的**打印选项**。然后，在显示的对话框中将**防止打印数据丢失**设置为开。

\* 这可能会降低打印质量。

### 检查 7 如果从计算机打印，请重新启动计算机。



## 没有墨水喷出



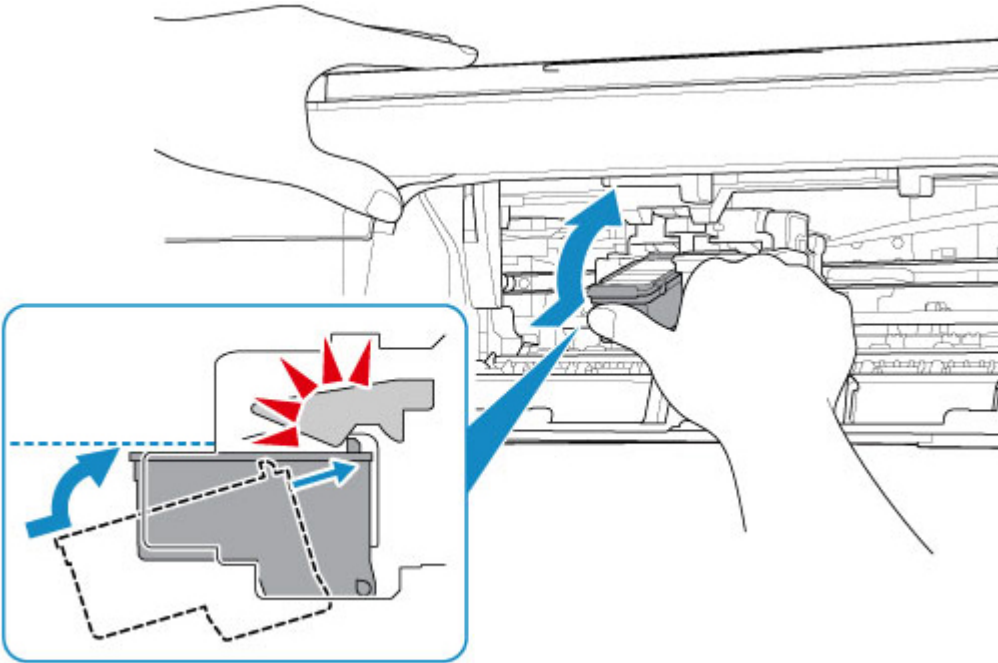
**检查 1** FINE 墨盒中的墨水用完时，请更换新的墨盒。

**检查 2** FINE 墨盒是否安装正确？

如果 FINE 墨盒未牢固地安装，则墨水可能不会正确地喷出。

收回出纸托盘扩展架和出纸托盘，打开机盖，然后取出 FINE 墨盒。

然后重新安装 FINE 墨盒。向上推 FINE 墨盒，直至其锁定到位。



确认 FINE 墨盒已正确安装后，关闭机盖。

**检查 3** 打印头喷嘴是否堵塞？

打印喷嘴检查图案以确定打印头喷嘴是否正常喷出墨水。

有关打印喷嘴检查图案、打印头清洗和打印头深度清洗的详细资料，请参见[如果打印变得暗淡或不均匀](#)。

- 如果喷嘴检查图案打印不正确：  
执行打印头清洗后，打印并检查喷嘴检查图案。
- 如果执行两次打印头清洗后问题仍未解决：  
执行打印头深度清洗。  
如果执行打印头深度清洗后问题仍未解决，请关闭打印机并在 24 小时后再次执行打印头深度清洗。
- 如果执行两次打印头深度清洗后问题仍未解决：

墨水可能已用完。更换 FINE 墨盒。



## 纸张没有正确送入/“无纸”错误



**检查 1** 确保已装入纸张。

■ [装入纸张](#)

**检查 2** 装入纸张时，请注意以下事项。

- 装入两张或更多纸张时，装入纸张前请首先将纸张的边缘对齐。
- 装入两页或更多纸张时，请确保纸叠不超过纸张装入限量。

但是，根据纸张的类型或环境状况(很高或很低的温度或湿度)，纸张可能无法以此最大容量正确送入。在这种情况下，请将一次装入的纸张数减少到纸张装入限量的一半以下。

- 无论打印方向如何，请务必纵向装入纸张。
- 装入纸张时，将纸张打印面向上装入。将纸叠靠后端托盘的右侧对齐，并移动纸张导片，使其恰好接触纸叠的左边缘。

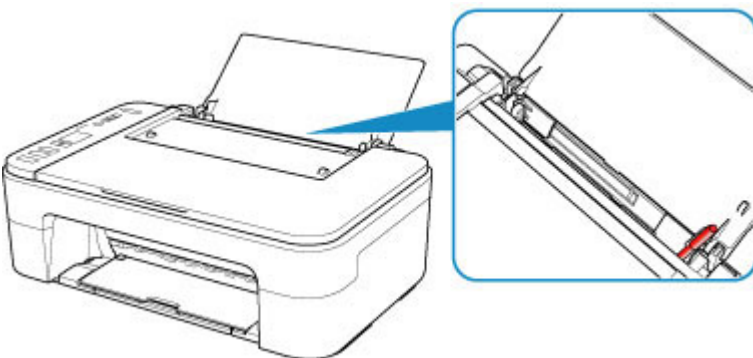
■ [装入纸张](#)

**检查 3** 纸张是否过厚或卷曲？

■ [不支持的介质类型](#)

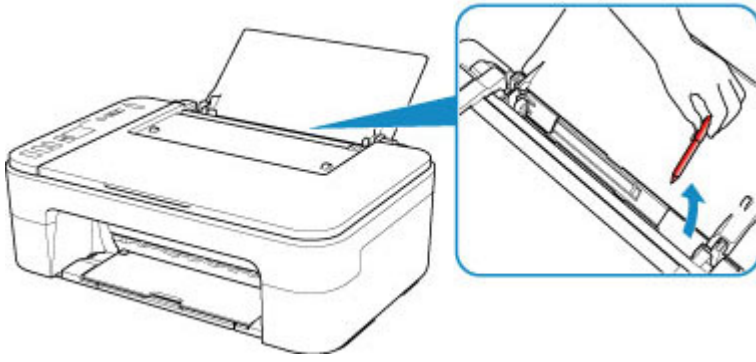
**检查 4** 确保介质类型和纸张尺寸设置与已装入的纸张一致。

**检查 5** 确保后端托盘中没有任何异物。



如果纸张在后端托盘中撕裂，请参见[与错误对应的支持代码列表\(卡纸\)](#)以将其取出。

如果后端托盘中有任何异物，请务必关闭打印机，从电源插座拔出打印机插头，然后取出异物。



**检查 6** 清洁进纸滚轴。

■ **清洁进纸滚轴**

如果以上措施未能解决问题，请与最近的 Canon 服务中心联系以要求维修。



## 打印结果不理想

如果由于白色条纹、线条偏移或颜色不均匀而造成打印结果不理想，请首先确认纸张和打印质量设置。



### 检查 1 页尺寸和介质类型设置是否与已装入纸张的尺寸和类型一致？

如果这些设置不匹配，则无法获得理想的结果。

如果打印照片或插图，不正确的纸张类型设置可能会降低打印输出色彩的质量。

同样，如果使用错误的纸张类型设置打印，则打印面可能出现划痕。

如果使用无边距打印，根据不同的纸张类型设置和所装入纸张的组合，可能出现颜色不均匀。

根据打印机的用途，检查纸张和打印质量设置的方法有所不同。

复印	使用操作面板检查设置。 <ul style="list-style-type: none"> <li>■ <a href="#">在普通纸上复印</a></li> <li>■ <a href="#">在照片纸上复印</a></li> </ul>
从兼容 PictBridge(无线 LAN)的设备打印	检查兼容 PictBridge(无线 LAN)的设备上的设置。 <ul style="list-style-type: none"> <li>■ <a href="#">PictBridge(无线 LAN)打印设置</a></li> </ul>
从计算机打印(Windows)	使用打印机驱动程序检查该设置。 <ul style="list-style-type: none"> <li>■ <a href="#">基本打印设置</a></li> </ul>

### 检查 2 确保选择了适当的打印质量(参见上表)。

选择适用于纸张和打印内容的打印质量。如果发现模糊不清或颜色不均匀，请提高打印质量设置并重试打印。

### 检查 3 如果问题未解决，请检查是否存在其他原因。

另请参见以下章节：

- [纸张空白/打印模糊不清/颜色错误/出现白色条纹](#)
- [颜色不清晰](#)
- [线条未对齐](#)
- [纸张出现污迹/打印面有划痕](#)
- [无法完成打印](#)
- [线条不完整或缺失\(Windows\)](#)
- [图像不完整或缺失\(Windows\)](#)
- [墨水渍/纸张卷曲](#)
- [纸张背面出现污迹](#)
- [颜色不均匀或有条纹](#)

## 如果打印纸张已变色

如果打印纸张存放的时间较长，可能会随时间而褪色。

打印之后，彻底晾干纸张、避免高温、高湿和阳光直射，并存放或陈列在温度和湿度都适当的室内。  
为避免直接暴露在空气中，建议将纸张存放在影集、塑料文件夹或相框等内。





# 纸张空白/打印模糊不清/颜色错误/出现白色条纹



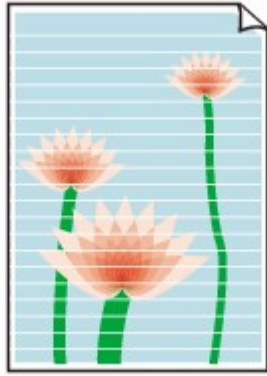
## 打印模糊不清



## 颜色错误



## 出现白色条纹



## A

### 检查 1 检查纸张和打印质量设置。

#### ■ [打印结果不理想](#)

### 检查 2 打印头喷嘴是否堵塞？

打印喷嘴检查图案以确定打印头喷嘴是否正常喷出墨水。

有关打印喷嘴检查图案、打印头清洗和打印头深度清洗的详细资料，请参见[如果打印变得暗淡或不均匀](#)。

- 如果喷嘴检查图案打印不正确：

执行打印头清洗后，打印并检查喷嘴检查图案。

- 如果执行两次打印头清洗后问题仍未解决：

执行打印头深度清洗。

如果执行打印头深度清洗后问题仍未解决，请关闭打印机并在 24 小时后再次执行打印头深度清洗。

- 如果执行两次打印头深度清洗后问题仍未解决：

墨水可能已用完。更换 FINE 墨盒。

### 检查 3 FINE 墨盒中的墨水用完时，请更换新的墨盒。

### 检查 4 使用仅一面可打印的纸张时，确保将纸张可打印面向上装入。

在这种纸张错误的一面上打印可能会造成打印不清晰或打印质量降低。

将可打印面向上装入纸张。

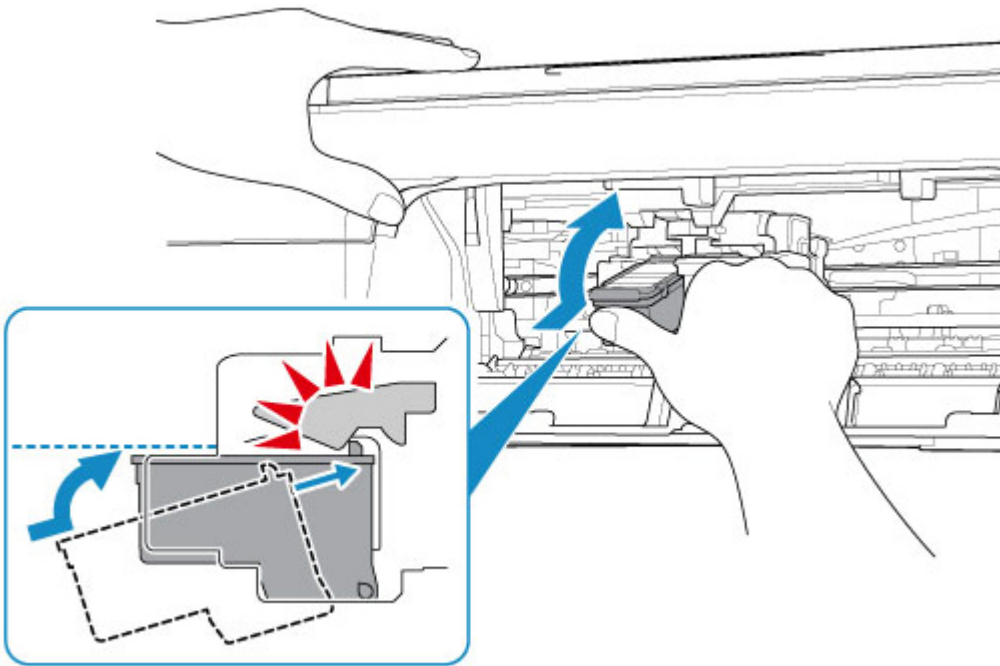
有关可打印面的详细信息，请参阅纸张附带的说明手册。

### 检查 5 FINE 墨盒是否安装正确？

如果 FINE 墨盒未牢固地安装，则墨水可能不会正确地喷出。

收回出纸托盘扩展架和出纸托盘，打开机盖，然后取出 FINE 墨盒。

然后重新安装 FINE 墨盒。向上推 FINE 墨盒，直至其锁定到位。



确认 FINE 墨盒已正确安装后，关闭机盖。

- 复印时，另请参见以下部分：

**检查 6** 稿台玻璃是否脏污？

清洁稿台玻璃。

- 清洁稿台玻璃和文档盖板

**检查 7** 确保原稿正确放置在稿台玻璃上。

- [放置原稿](#)

**检查 8** 是否将原稿要复印的一面向下放置在稿台玻璃上？

**检查 9** 是否复印了该打印机的打印结果？

如果使用该打印机的打印结果作为原稿，则根据原稿的状况，打印质量可能会下降。

如果可以，请从计算机重新打印。



## 颜色不清晰



### 检查 1 喷嘴检查图案是否正确打印？

打印喷嘴检查图案以确定打印头喷嘴是否正常喷出墨水。

有关打印喷嘴检查图案、打印头清洗和打印头深度清洗的详细资料，请参见[如果打印变得暗淡或不均匀](#)。

- 如果喷嘴检查图案打印不正确：  
执行打印头清洗后，打印并检查喷嘴检查图案。
- 如果执行两次打印头清洗后问题仍未解决：  
执行打印头深度清洗。  
如果执行打印头深度清洗后问题仍未解决，请关闭打印机并在 24 小时后再次执行打印头深度清洗。
- 如果执行两次打印头深度清洗后问题仍未解决：  
墨水可能已用完。更换 FINE 墨盒。

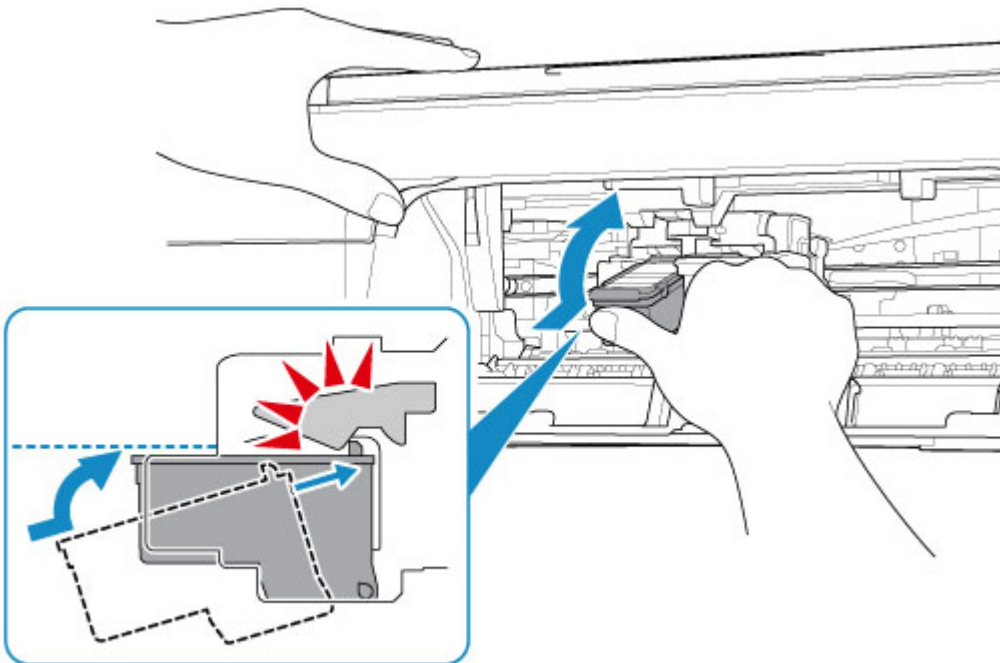
### 检查 2 FINE 墨盒中的墨水用完时，请更换新的墨盒。

### 检查 3 FINE 墨盒是否安装正确？

如果 FINE 墨盒未牢固地安装，则墨水可能不会正确地喷出。

收回出纸托盘扩展架和出纸托盘，打开机盖，然后取出 FINE 墨盒。

然后重新安装 FINE 墨盒。向上推 FINE 墨盒，直至其锁定到位。



确认 FINE 墨盒已正确安装后，关闭机盖。

### 注 释

- 由于生成色彩的方法存在根本性的差异，打印色彩可能与屏幕色彩不一致。色彩控制设置和环境的差别也会影响色彩在屏幕上的显示效果。因此，打印结果的颜色可能与屏幕上显示的颜色有所不同。



## 线条未对齐



**检查 1** 检查纸张和打印质量设置。

■ [打印结果不理想](#)

**检查 2** 执行打印头对齐。

如果打印的线条没有对齐或打印效果不理想，请调整打印头位置。

■ [对齐打印头](#)

### »» 注释

- 如果执行打印头对齐后问题未解决，请从计算机手动执行打印头对齐。
  - 对于 Windows：
    - [调整打印头位置](#)
  - 对于 Mac OS：
    - [调整打印头位置](#)

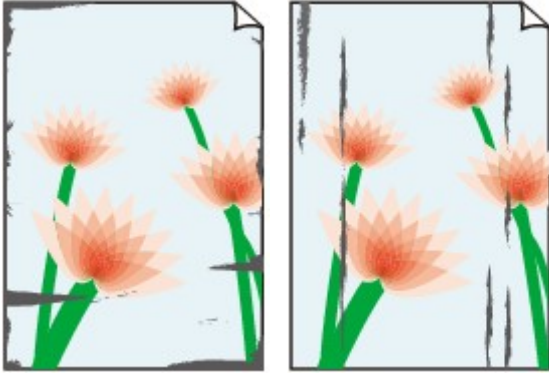
**检查 3** 提高打印质量并再次尝试打印。

使用打印机驱动程序提高打印质量可能改善打印结果。



## 纸张出现污迹/打印面有划痕

### 纸张出现污迹



边缘有污迹

表面有污迹



### 打印面有划痕



**检查 1** 检查纸张和打印质量设置。

■ [打印结果不理想](#)

**检查 2** 检查纸张类型。

确保正在使用正确的纸张进行打印。

■ [支持的介质类型](#)

**检查 3** 装入纸张前平整卷曲。

建议将未用完的纸张放回包装并将其平展放置。

#### • 普通纸

翻转纸张并重新装入以在另一面上打印。

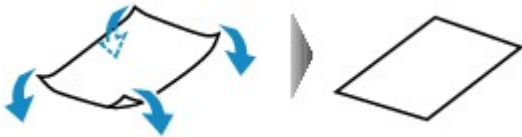
将纸张装入后端托盘较长时间可能会造成纸张卷曲。在这种情况下，请将纸张的另一面向上装入。这可能会解决问题。

#### • 其他纸张

如果纸张四角的卷曲高度超过 3 毫米/0.1 英寸(A)，纸张可能出现污迹或可能无法正确送入。按照以下说明平整纸张卷曲。



1. 如下图所示，向纸张卷曲的相反方向卷起纸张。

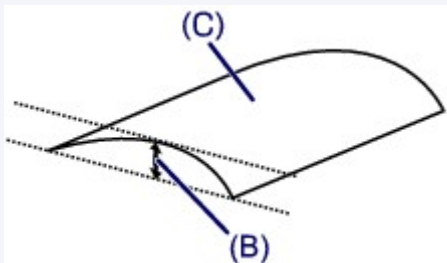


2. 确认纸张现在是否已平展。

建议每次使用一张平整后的纸张打印。

## 注 释

- 根据纸张类型，即使纸张未向内卷曲也可能出现污迹或无法正确送入。打印前请按照以下说明向外卷曲纸张，并且高度在 3 毫米/0.1 英寸(B)以内。这可能会改善打印效果。



(C) 打印面

建议每次送入一张向外卷曲过的纸张。

## 检查 4 设置打印机以防止纸张磨损。(Windows)

调整防止纸张磨损的设置时会增加打印头与纸张之间的间隙。如果介质类型已按照纸张正确设置，但仍出现磨损情况，请按照以下步骤设置打印机以防止纸张磨损。

1. 确保打印机已开启。
2. 打开打印机驱动程序设置窗口。  
■ 打开打印机驱动程序设置屏幕
3. 单击**维护**选项卡，然后单击**用户定义设置**。
4. 选择**防止纸张磨损**复选框并单击**确定**。

这可能会降低打印速度。

\* 完成打印后，请撤销此设置。否则，此设置将应用于后续打印作业。

## 检查 5 如果浓度设置较高，请降低浓度设置并再次尝试打印。(Windows)

如果正在使用高浓度设置在普通纸上打印，纸张可能会吸收过多墨水并卷曲，造成纸张磨损。

检查打印机驱动程序中的浓度设置。

- 调节浓度



#### 检查 6 请勿在推荐的打印区域外打印。

如果在纸张的推荐打印区域外打印，则墨水可能会弄脏纸张的下边缘。  
使用应用程序软件重新设置文档的尺寸。

##### ■ 打印区域

#### 检查 7 稿台玻璃是否脏污？

清洁稿台玻璃。

##### ■ 清洁稿台玻璃和文档盖板

#### 检查 8 进纸滚轴是否脏污？

清洁进纸滚轴。

##### ■ [清洁进纸滚轴](#)

#### 检查 9 打印机内部是否脏污？

在双面打印过程中，墨水可能会弄脏打印机内部，使打印输出脏污。  
执行底板清洁可清洁打印机内部。

##### ■ [清洁打印机内部\(底板清洁\)](#)

### 》》》 注释

- 要防止打印机内部脏污，请务必设置正确的纸张尺寸。

#### 检查 10 设置更长的墨水晾干时间。

此功能可以晾干打印面，避免出现污迹和划痕。

- 对于 Windows：
  1. 确保打印机已开启。
  2. 打开打印机驱动程序设置窗口。
    - [打开打印机驱动程序](#)的设置屏幕
  3. 单击**维护**选项卡，然后单击**用户定义设置**。
  4. 拖动**墨水晾干等待时间**滑动条以设置等待时间，然后单击**确定**。
  5. 查看信息，并单击**确定**。

- 对于 Mac OS：

使用远程用户界面设置等待时间。

##### ■ 更改打印机操作模式

## 扫描的问题 (Windows)

- ▶ [扫描的问题](#)

## 扫描的问题

- ▶ 扫描仪不工作
- ▶ ScanGear(扫描仪驱动程序)不启动



## 扫描仪不工作

---



**检查 1** 确保扫描仪或打印机已开启。

**检查 2** 将 USB 电缆线连接到计算机上的另一个 USB 端口。

**检查 3** 如果 USB 电缆线连接到 USB 集线器，请将其从 USB 集线器上移除并连接到计算机上的 USB 端口。

**检查 4** 使用网络连接时，检查连接状态并根据需要重新连接。

**检查 5** 重新启动计算机。



## ScanGear(扫描仪驱动程序)不启动

---



**检查 1** 确保已安装 MP Drivers。

如果尚未安装，请从安装光盘或我们的网站安装 MP Drivers。

**检查 2** 在应用程序的菜单中选择所用的扫描仪或打印机。

### 重要事项

- 如果多次显示所用的扫描仪或打印机名称，请选择不包含 WIA 的名称。

### 注释

- 操作可能因应用程序而有所不同。
- 从兼容 WIA 的应用程序扫描时，请使用 WIA 驱动程序。

■ 使用 WIA 驱动程序扫描

**检查 3** 确保应用程序支持 TWAIN。

无法从不支持 TWAIN 的应用程序中启动 ScanGear(扫描仪驱动程序)。

**检查 4** 使用 IJ Scan Utility 扫描并保存图像并在应用程序中打开文件。

## 机械问题

- ▶ 电源未开启
- ▶ 电源自动关闭
- ▶ **USB 连接问题**
- ▶ 无法通过 **USB** 与打印机通讯



## 电源未开启

---



**检查 1** 按**电源按钮**。

**检查 2** 确保电源插头已稳固地连接到打印机，然后重新开启。

**检查 3** 拔出打印机插头，至少等待 2 分钟，然后重新插入插头并再次启动。

如果此操作未能解决问题，请与最近的 Canon 服务中心联系以要求维修。



## 电源自动关闭



**检查** 如果将打印机设置为一段时间后自动关闭，请禁用此设置。

如果将打印机设置为在指定时间后自动关闭，则该时间过后，电源将自动关闭。

• 要从操作面板禁用该设置：

1. 确保打印机已开启。
2. 重复按**设置**按钮直至 LCD 屏幕上出现“13”。
3. 按**黑白**按钮。

用于自动关闭电源的设置被禁用。

• 要从计算机禁用该设置：

对于 Windows，使用 Canon IJ Printer Assistant Tool 或 ScanGear(扫描仪驱动程序)禁用该设置。

按照以下步骤使用 Canon IJ Printer Assistant Tool 禁用该设置。

1. 打开 Canon IJ Printer Assistant Tool。

■ [维护选项卡描述](#)

2. 从下拉菜单中选择正在使用的打印机，然后选择**确定**。  
出现菜单屏幕。
3. 选择**自动电源**。
4. 将**自动电源关闭**选择为**禁用**。

用于自动关闭电源的设置被禁用。

### 注 释

• 要从 ScanGear(扫描仪驱动程序)禁用设置，请参阅以下内容。

■ [扫描仪选项卡](#)



## USB 连接问题

**Q** 打印或扫描速度慢/Hi-Speed USB 连接不能工作/出现信息“此设备可提高性能”(Windows)

**A**

如果系统环境不支持 Hi-Speed USB，打印机将以 USB 1.1 的较慢速度运行。在这种情况下，打印机可正常工作，但打印或扫描速度可能会因通讯速度而降低。

**检查** 检查以下各项以确保系统环境支持 Hi-Speed USB 连接。

- 计算机的 USB 端口是否支持 Hi-Speed USB 连接？
- USB 电缆线或 USB 集线器是否支持 Hi-Speed USB 连接？  
务必使用合格的 Hi-Speed USB 电缆线。建议使用长度不超过约 3 米/10 英尺的 USB 电缆线。
- 计算机的操作系统是否支持 Hi-Speed USB 连接？  
将最新版本的更新程序安装到计算机。
- Hi-Speed USB 驱动程序是否正常工作？  
如有必要，为计算机获取并安装最新版本的 Hi-Speed USB 驱动程序。

### 重要事项

- 有关更多信息，请联系计算机、USB 电缆线或 USB 集线器制造商。



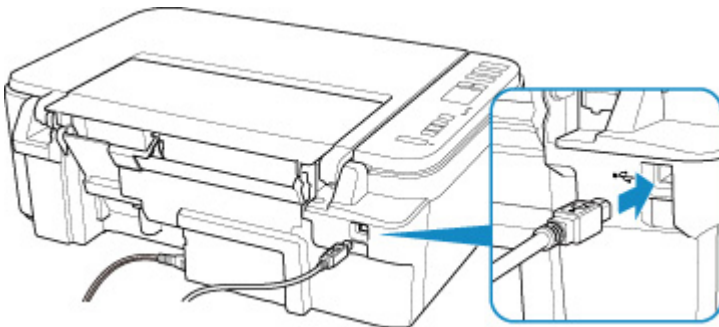
## 无法通过 USB 与打印机通讯



**检查 1** 确保打印机已开启。

**检查 2** 正确连接 USB 电缆线。

如下图所示，USB 端口位于打印机后部。



### 重要事项

- 将“B 型”端子有凹槽的一面向上连接到打印机。有关详细资料，请参阅 USB 电缆线附带的说明手册。

**检查 3** 请确保在打印机驱动程序属性对话框的端口选项卡中选择了启用双向支持。  
(Windows)

否则，请选择该项，以启用双向支持。

■ [打开打印机驱动程序的设置屏幕](#)

## 安装和下载问题

- ▶ 无法安装 MP Drivers(Windows)
- ▶ 在网络环境中更新 MP Drivers(Windows)



## 无法安装 MP Drivers(Windows)




- 如果插入安装光盘后安装未开始：

请按照以下说明开始安装。

1. 请进行以下设置。

- 在 Windows 10 环境下，单击**开始按钮** > **文件资源管理器**，然后从左侧列表中单击**这台电脑**。
- 在 Windows 8.1 中，选择**桌面上任务栏**中的 **Explorer** 图标，然后从左侧列表中选择**这台电脑**。
- 在 Windows 7 环境下，单击**开始**，然后单击**计算机**。

2. 在出现的窗口中双击  光盘图标。

如果出现了光盘的内容，双击 **MSETUP4.EXE**。

如果无法使用安装光盘安装 MP Drivers，请从 Canon 网站进行安装。

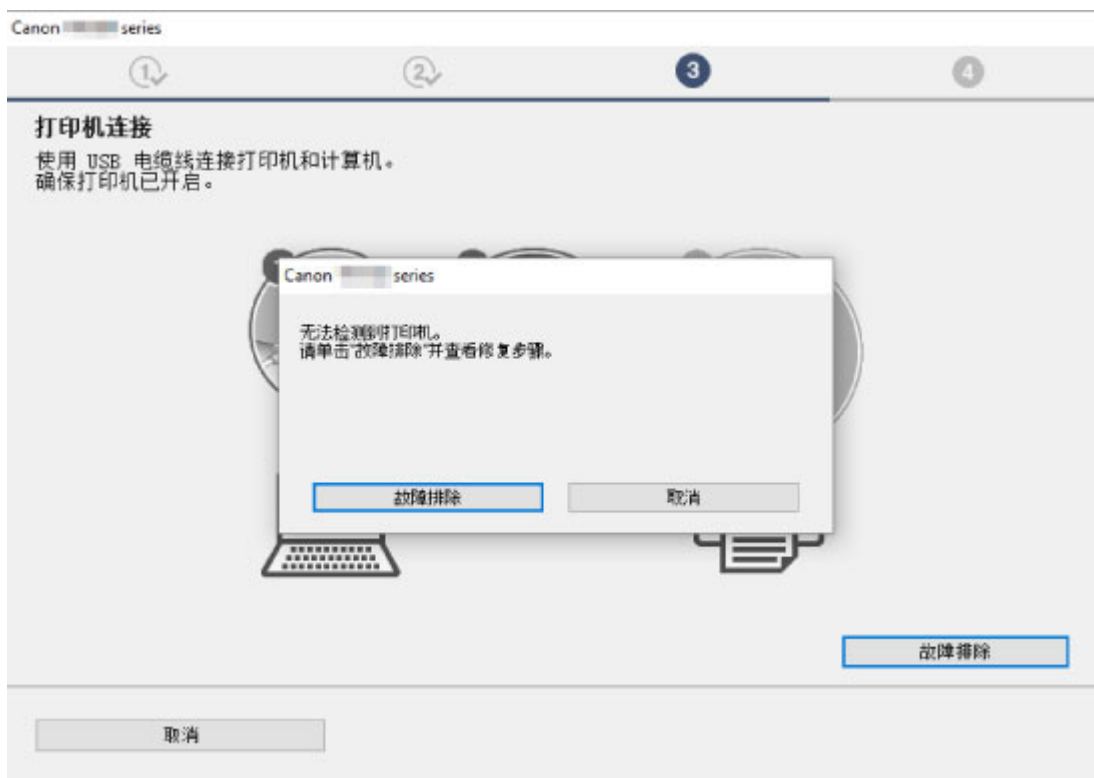
### »» 注释

- 如果未出现光盘图标，请尝试以下操作：

- 从计算机中取出光盘，然后将其重新插入。
- 重新启动计算机。

如果仍未出现光盘图标，请试用其他光盘，然后查看是否会出现光盘图标。如果出现，则此安装光盘存在问题。请与最近的 Canon 服务中心联系以要求维修。

- 如果无法跳过打印机连接屏幕：



#### ■ 在打印机连接屏幕无法继续操作

- 其他情况：

重新安装 MP Drivers。

如果没有正确地安装 MP Drivers，请卸载 MP Drivers，重新启动计算机，然后重新安装 MP Drivers。

#### ■ 删除不需要的 MP Drivers

使用安装光盘或从 Canon 网站重新安装 MP Drivers。

#### ▶▶▶ 注释

- 如果因 Windows 错误而导致安装程序停止，Windows 操作可能不稳定，并且可能无法安装驱动程序。请重新启动计算机，然后重新安装驱动程序。



## 在网络环境中更新 MP Drivers(Windows)

---



下载最新的 MP Drivers。

在 Canon 网站的下载网页上，下载所用型号的最新 MP Drivers。

卸载现有的 MP Drivers，并按照安装说明安装下载的最新 MP Drivers。在连接方法选择屏幕中，选择**通过无线 LAN 连接使用打印机**。将会自动在网络中检测打印机。

确保已找到打印机，并按照屏幕上的说明安装 MP Drivers。

### ▶▶▶ 注释

- 打印机上的网络设置不会受到影响，因此可以在网络上使用打印机而无需恢复设置。

## 错误和信息

- ▶ 发生错误
- ▶ 出现信息(支持代码)

## 发生错误

如果打印时发生错误(例如, 纸张用完或卡纸), 会自动显示故障排除信息。采取信息中描述的适当措施。

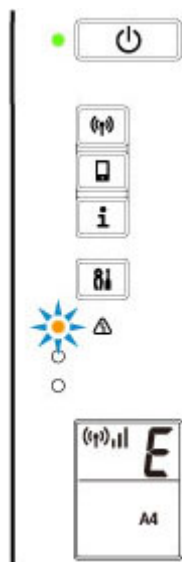
如果发生错误, 计算机屏幕上会出现信息, LCD 屏幕上会出现错误代码。对于某些错误, 会出现支持代码(错误编号)。

### 当支持代码和信息显示在计算机屏幕上时(Windows):



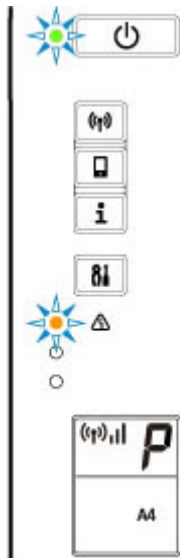
### 出现错误代码时:

- 警告指示灯亮起并出现错误代码。



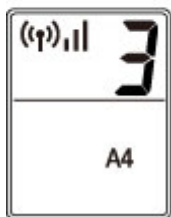
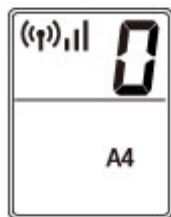
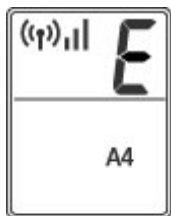
- 电源指示灯和警告指示灯交替闪烁并出现错误代码。





错误代码将逐字显示在 LCD 屏幕上。

如果错误代码为“E03”：




检查 LCD 屏幕上的错误代码以及与其对应的支持代码。有关详细资料，请参见下表。

错误代码	支持代码	原因	解决方法
E02	1000 3442 3443 3444 3445	打印机缺纸。 执行手动双面打印时，已完成一面的打印。	<ul style="list-style-type: none"> <li>如果打印机缺纸： ■ <a href="#">1000</a></li> <li>如果正在执行手动双面打印： 按照计算机屏幕上的说明准备打印其他面。</li> </ul>

E03	1203 1300	机盖已打开。 发生卡纸。	<ul style="list-style-type: none"> <li>• 如果机盖已打开： ■ <a href="#">1203</a></li> <li>• 如果发生卡纸： ■ <a href="#">1300</a></li> </ul>
E04	168A	FINE 墨盒未正确安装。	■ <a href="#">168A</a>
E05	1401 1403 1430 1485	无法识别 FINE 墨盒。	<p>请检查以下内容。</p> <ul style="list-style-type: none"> <li>• FINE 墨盒是否正确安装</li> <li>• 是否安装了合适的墨盒</li> <li>• 墨盒是否与打印机兼容</li> </ul> <p>请在打印机内安装合适的墨盒。</p> <p>■ <a href="#">更换 FINE 墨盒</a></p>
E08	1700 1712 1714	墨水收集器将满。	<p>■ <a href="#">1700</a></p> <p>■ <a href="#">1712</a></p> <p>■ <a href="#">1714</a></p>
E09	1890	FINE 墨盒固定器上可能仍有保护材料或胶带。	■ <a href="#">1890</a>
E11	4102 4103	使用当前打印设置无法执行打印。	更改打印设置后执行打印。
E12	4100	无法打印指定的数据。	■ <a href="#">4100</a>
E13	1686	墨水可能已用完。	■ <a href="#">1686</a>
E14	1684	无法识别 FINE 墨盒。	■ <a href="#">1684</a>
E15	1682	无法识别 FINE 墨盒。	■ <a href="#">1682</a>
E16	1688	墨水已用完。	■ <a href="#">1688</a>
E23	3446	IP 地址和子网掩码存在冲突。	■ <a href="#">3446</a>
E31	-	无线 LAN 设置失败。	<p>按打印机的<b>黑白</b>或<b>彩色</b>按钮清除错误。</p> <p>如果正在执行 WPS 设置：</p> <ol style="list-style-type: none"> <li>1. 检查安全设置，然后重新执行设置。</li> <li>2. 使用其他设置方法执行设置。</li> </ol>
E32	-	设置时无法找到无线路由器。	<p>按打印机的<b>黑白</b>或<b>彩色</b>按钮清除错误。</p> <p>重新执行无线 LAN 设置。</p>
E33	-	多个无线路由器正在连接到打印机，因此无法连接。	<p>按打印机的<b>黑白</b>或<b>彩色</b>按钮清除错误。</p> <p>稍等片刻(大约 2 分钟)再执行无线 LAN 设置。</p> <p>如果以上措施未能解决问题，请参阅无线路由器附带的说明手册。</p>
E34	3440	简易无线连接失败。	■ <a href="#">3440</a>

E36	3441	简易无线连接失败。	■ 3441
E37	-	无线 LAN 设置失败。	按打印机的 <b>黑白</b> 或 <b>彩色</b> 按钮清除错误。 采取以下措施。 1. 关闭无线路由器，然后重新开启。 2. 将打印机重新连接到无线路由器。 如果以上措施未能解决问题，请参阅无线路由器附带的说明手册并检查设置。
E38	-	无法连接到无线路由器。 无法更改 LAN 设置。	按打印机的 <b>黑白</b> 或 <b>彩色</b> 按钮清除错误。 请检查以下内容。 <ul style="list-style-type: none"> <li>• 是否启用了打印机的无线 LAN</li> <li>• 是否选择了适当的要连接的无线路由器</li> <li>• 输入的密码是否正确</li> <li>• 指定的 SSID 是否正确</li> </ul> 检查以上各项后，关闭无线路由器，然后重新开启。 使用 LAN 时无法更改 LAN 设置。请在不使用 LAN 时进行更改。
E39	495A	发生网络错误。	■ 495A
E45	-	无法连接至网络。	按打印机的 <b>OK</b> 按钮解决错误。 检查 LAN 连接和网络设置。 等待一段时间后可能连接成功。
E46	-	无法连接至互联网。	按打印机的 <b>OK</b> 按钮解决错误。 检查无线路由器设置。
E47	-	无法连接至服务器。	按打印机的 <b>OK</b> 按钮可解决错误，一段时间后执行操作。 如果正在使用 Google Cloud Print，可以不注册打印机。确保已注册打印机。 ■ 使用 Google Cloud Print 进行打印
E48	-	无法连接至服务器。	按打印机的 <b>OK</b> 按钮可解决错误，一段时间后执行操作。
E49	-	由于正在准备网络连接，无法连接到互联网。	按打印机的 <b>OK</b> 按钮可解决错误，一段时间后执行操作。
E50	-	获取内容失败。	按打印机的 <b>OK</b> 按钮可解决错误，一段时间后执行操作。
E51	-	无法连接至服务器。	按打印机的 <b>OK</b> 按钮可解决错误，一段时间后执行操作。
E52	-	由于超时无法将打印机注册到 Google Cloud Print。	按打印机的 <b>OK</b> 按钮解决错误。

E53	-	由于无法连接 Google Cloud Print, 仅删除了注册在打印机中的信息。	按打印机的 <b>黑白</b> 或 <b>彩色</b> 按钮清除错误。 从计算机或智能手机中删除 Google Cloud Print 的注册信息。
E54	-	由于无法连接 IJ Cloud Printing Center, 仅删除了注册在打印机中的信息。	按打印机的 <b>黑白</b> 或 <b>彩色</b> 按钮清除错误。 从计算机或智能手机中删除 IJ Cloud Printing Center 的注册信息。
E55	-	打印机已注册到 IJ Cloud Printing Center。	按打印机的 <b>黑白</b> 或 <b>彩色</b> 按钮清除错误。 删除 IJ Cloud Printing Center 的注册信息, 然后重新注册打印机。
E56	-	该在线服务在您所在的地区不可用。	按打印机的 <b>黑白</b> 或 <b>彩色</b> 按钮清除错误。 有关可使用该在线服务的地区的信息, 请与提供商联系。
E57	2900	扫描打印头对齐页失败。	 <a href="#">2900</a>
E58	-	尝试在注册纸张尺寸前开始复印。	指定纸张尺寸, 然后开始复印。 按 <b>停止</b> 按钮可以取消复印。
E59	2114	用于打印的纸张设置与打印机上设置的纸张信息不匹配。	 2114
E61	3412	扫描原稿已失败。	 3412
E62	-	扫描过程中发生意外错误。	按打印机的 <b>黑白</b> 或 <b>彩色</b> 按钮清除错误。 更改设置并重新执行操作。
E63	-	到达可保存的页数上限。	按打印机的 <b>黑白</b> 或 <b>彩色</b> 按钮清除错误。 无法在一个文件中再保存更多页面。 将剩余页面保存为其他文件。
E64	-	扫描原稿已失败。	原稿未放置在稿台玻璃上或原稿无法扫描。 按打印机的 <b>黑白</b> 或 <b>彩色</b> 按钮解决错误, 并检查以下内容。 <ul style="list-style-type: none"> <li>• 确保原稿放置在稿台玻璃上。</li> <li>• 确保原稿的放置位置和方向正确。</li> </ul> 检查以上内容后, 重新执行操作。
E65	-	由于打印机存储器已满, 保存已扫描的数据失败。	按打印机的 <b>黑白</b> 或 <b>彩色</b> 按钮清除错误。 采取以下措施。 <ul style="list-style-type: none"> <li>• 降低分辨率, 然后重新扫描原稿。</li> <li>• 减少一次要扫描的原稿的份数。</li> </ul>
P02	5100	发生打印机错误。	 <a href="#">5100</a>
P07	5B00 5B12	发生打印机错误。	 <a href="#">5B00</a>  5B12  5B14

	5B14		
P03	5011	发生打印机错误。	<p>关闭打印机并拔出插头。</p> <p>重新插入打印机插头，然后重新开启。</p> <p>如果此操作未能解决问题，请与最近的 Canon 服务中心联系以要求维修。</p>
P08	5012		
P09	5050		
P20	5200		
P22	6000		
P26	6500		
P27	6800		
P28	6801		
P29	6900		
	6901		
	6902		
	6910		
	6911		
	6930		
	6931		
	6932		
	6933		
	6936		
	6937		
	6938		
	6940		
	6941		
	6942		
	6943		
	6944		
	6945		
	6946		
P10	B202	发生打印机错误。	<p>关闭打印机并拔出插头。</p> <p>请与最近的 Canon 服务中心联系以要求维修。</p>
	B203		
	B204		
	B205		

## »» 注释

- 有关如何解决不带支持代码的错误的详细资料，请参见[出现信息\(支持代码\)](#)。

## 出现信息(支持代码)

本节描述可能出现的部分错误和信息。

### 注释

- 计算机上会显示某些错误的支持代码(错误编号)。有关带支持代码的错误的详细资料,请参见[与错误对应的支持代码列表](#)。

- [显示有关电源线被拔出的错误\(Windows\)](#)
- [写入错误/输出错误/通讯错误\(Windows\)](#)
- [其他错误信息\(Windows\)](#)
- [显示 Inkjet Printer/Scanner/Fax Extended Survey Program 屏幕\(Windows\)](#)
- [出现 Inkjet Printer/Scanner/Fax Extended Survey Program 图标\(Mac OS\)](#)

### Q 显示有关电源线被拔出的错误(Windows)



打印机插头可能在其处于开启状态时被拔出。

检查计算机屏幕上显示的错误信息,并单击**确定**。

打印机开始打印。

请参见[拔出打印机插头](#)了解关于拔出电源线的问题。

### Q 写入错误/输出错误/通讯错误 (Windows)



**检查 1** 如果**电源**指示灯已熄灭,请确保插入打印机插头并将其开启。

打印机正在初始化时,**电源**指示灯会闪烁。请等待至**电源**指示灯停止闪烁并持续亮起。

**检查 2** 确保打印机已正确连接到计算机。

如果正在使用 USB 电缆线,确保其已稳固地连接到打印机和计算机。USB 电缆线插头已稳固地插入时,请检查以下内容:

- 如果正在使用继电器设备(如 USB 集线器),请断开连接,将打印机直接连接到计算机,并重试打印。如果打印正常开始,则继电器设备有问题。请与继电器设备厂商联系。
- 也可能是 USB 电缆线有问题。更换 USB 电缆线并重试打印。

如果通过 LAN 使用打印机,请确保已正确设置打印机以供网络使用。

**检查 3** 确保 MP Drivers 安装正确。

按照删除不需要的 MP Drivers 中描述的步骤卸载 MP Drivers,然后从安装光盘或 Canon 网站重新安装。

**检查 4** 使用 USB 电缆线将打印机连接到计算机时，从计算机检查设备状态。

请按照以下步骤检查设备状态。

1. 打开计算机的设备管理器，如下所示。

如果显示**用户帐户控制**屏幕，请按照屏幕上的说明操作。

- 在 Windows 10 环境下，右键单击**开始**按钮并选择**设备管理器**。
- 在 Windows 8.1 环境下，从桌面的**设置**超级按钮选择**控制面板 > 硬件和声音 > 设备管理器**。
- 在 Windows 7 环境下，单击**控制面板、硬件和声音、设备管理器**。

2. 双击**通用串行总线控制器**，然后双击 **USB 打印支持**。

如果没有显示 **USB 打印支持属性**屏幕，请确保打印机已正确连接到计算机。

■ **检查 2** [确保打印机已正确连接到计算机。](#)

3. 单击**常规**选项卡并检查设备问题。

如果显示设备错误，请参见 Windows 帮助以解决该错误。

## 其他错误信息(Windows)

---

### 

**检查** 如果打印机状态监视器外出现错误信息，请检查以下内容：

- “**硬盘空间不足，无法成功地执行后台处理**”

删除不需要的文件以增加磁盘可用空间。

- “**内存不足，无法成功地执行后台处理**”

关闭其他应用程序以增加可用的内存。

如果仍然无法打印，请重新启动计算机并重试打印。

- “**找不到打印机驱动程序**”

按照删除不需要的 MP Drivers 中描述的步骤卸载 MP Drivers，然后从安装光盘或 Canon 网站重新安装。

- “**无法打印应用程序名称 - 文件名称**”

完成当前作业后，请再次试打印。

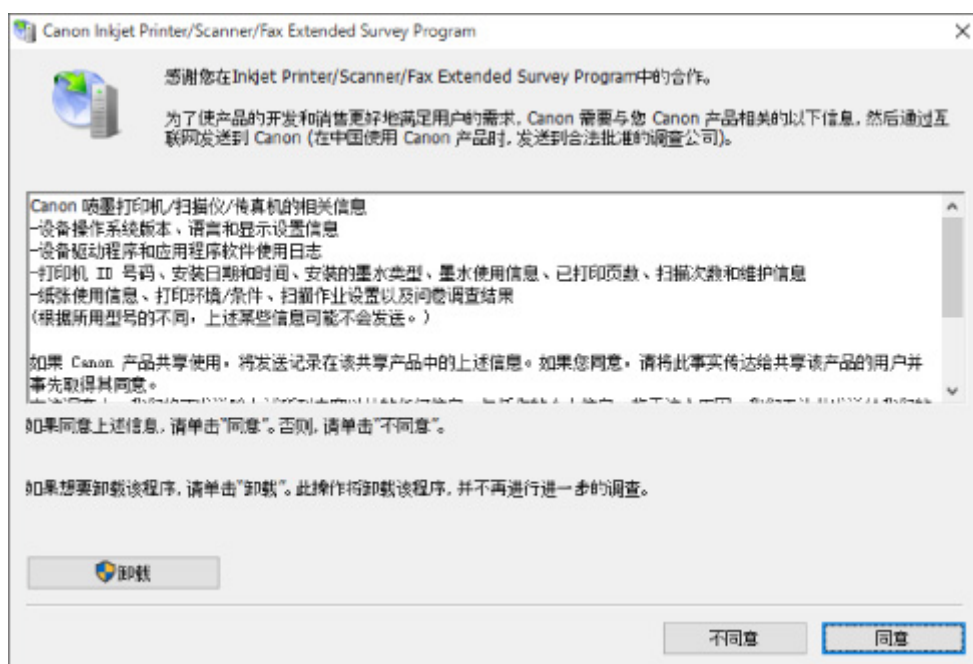
## 显示 Inkjet Printer/Scanner/Fax Extended Survey Program 屏幕 (Windows)

---

### 

如果已安装 Inkjet Printer/Scanner/Fax Extended Survey Program，在大约十年内每隔一个月将显示请求许可发送打印机和应用程序使用信息的屏幕。

请阅读屏幕上的信息并按照以下说明操作。



#### • 如果同意参加调查计划:

单击**同意**, 然后按照屏幕上的说明操作。打印机使用信息将通过互联网发送。完成该步骤后, 以后将自动发送该信息, 并且不会再次出现该确认屏幕。

#### ▶▶▶ 注释

- 发送信息时, 可能会出现警告(如互联网安全信息)。确保该计划名称为“IJPLMUI.exe”, 然后同意发送。
- 如果清除下一次自动发送复选框, 则从下一次起将不会自动发送信息并且下次调查时将显示确认屏幕。要自动发送信息, 请参见[更改确认屏幕设置](#)。

#### • 如果不同意参加调查计划:

单击**不同意**。确认屏幕将关闭, 同时会跳过调查。一个月后将会再次出现确认屏幕。

#### • 卸载 Inkjet Printer/Scanner/Fax Extended Survey Program:

要卸载 Inkjet Printer/Scanner/Fax Extended Survey Program, 请单击**卸载**, 然后按照屏幕上的说明操作。

#### • 更改确认屏幕设置:

1. 请进行以下设置。

- 在 Windows 10 环境下, 右键单击**开始**按钮并选择**程序和功能**。
- 在 Windows 8.1 环境下, 从桌面上的**设置**超级按钮中选择**控制面板 > 程序 > 程序和功能**。
- 在 Windows 7 环境下, 选择**开始菜单 > 控制面板 > 程序 > 程序和功能**。

#### ▶▶▶ 注释

- 安装、卸载或启动软件时, 可能会出现确认/警告对话框。  
当需要管理权限以执行任务时, 会出现该对话框。  
如果登录到具有管理员权限的帐户, 请按照屏幕上的说明进行操作。



2. 选择 **Canon Inkjet Printer/Scanner/Fax Extended Survey Program**。
3. 选择**更改**。

按照屏幕上的说明进行操作后，如果选择**是**，下次调查时将出现确认屏幕。

如果选择**否**，将自动发送信息。

### ▶▶▶ 注释

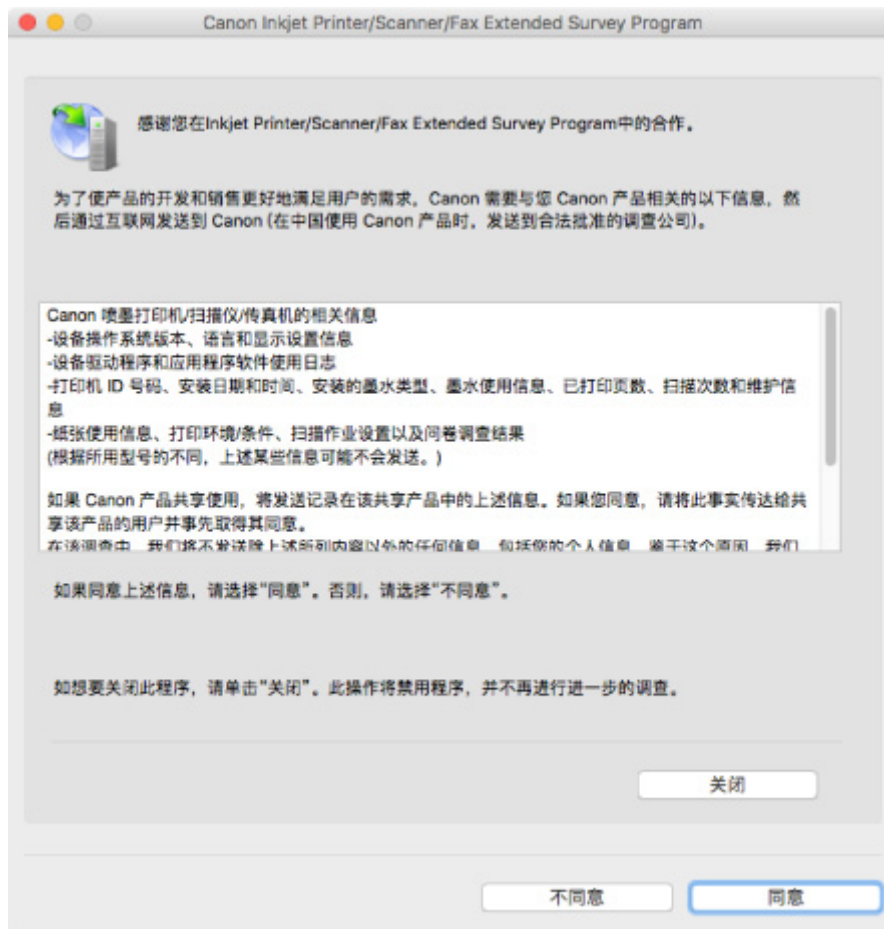
- 如果选择**卸载**，会卸载 Inkjet Printer/Scanner/Fax Extended Survey Program。请按照屏幕上的说明进行操作。

## Q 出现 Inkjet Printer/Scanner/Fax Extended Survey Program 图标(Mac OS)

### A

如果已安装 Inkjet Printer/Scanner/Fax Extended Survey Program，在大约十年内每隔一个月将发送一次打印机和应用程序软件使用信息。到发送打印机使用信息的时间时，Dock 中将出现 **Inkjet Printer/Scanner/Fax Extended Survey Program** 图标。

单击图标，阅读出现的信息，然后按照以下说明操作。



- **如果同意参加调查计划：**

单击**同意**，然后按照屏幕上的说明操作。打印机使用信息将通过互联网发送。完成该步骤后，以后将自动发送该信息，并且不会再次出现该确认屏幕。

### ►►► 注释

- 如果清除下一次自动发送复选框，则从下一次起将不会自动发送信息，并且在下次调查时 **Inkjet Printer/Scanner/Fax Extended Survey Program** 图标将出现在 Dock 中。

- **如果不同意参加调查计划：**

单击**不同意**。确认屏幕将关闭，同时会跳过调查。一个月后将会再次出现确认屏幕。

- **要停止发送信息：**

单击**关闭**。这将停止 Inkjet Printer/Scanner/Fax Extended Survey Program，并且不会发送信息。要恢复调查，请参见[更改设置](#)。

- **卸载 Inkjet Printer/Scanner/Fax Extended Survey Program：**

1. 停止 Inkjet Printer/Scanner/Fax Extended Survey Program。

- **更改设置：**

2. 从 Finder 的**转到**菜单中选择**应用程序**，双击 **Canon Utilities** 文件夹，然后双击 **Inkjet Extended Survey Program** 文件夹。
3. 将 **Canon Inkjet Printer/Scanner/Fax Extended Survey Program.app** 移动至**废纸篓**。
4. 重新启动计算机。

清空**废纸篓**并重新启动计算机。

- **更改设置：**

要每次发送打印机使用信息时显示确认屏幕或要恢复调查，请按照以下步骤操作。

1. 从 Finder 的**转到**菜单中选择**应用程序**，双击 **Canon Utilities** 文件夹，然后双击 **Inkjet Extended Survey Program** 文件夹。
2. 双击 **Canon Inkjet Printer/Scanner/Fax Extended Survey Program** 图标。



- **当信息发送，不显示确认屏幕：**

如果已选择复选框，将自动发送信息。

如果没有选中复选框，下次调查时 **Inkjet Printer/Scanner/Fax Extended Survey Program** 图标将出现在 Dock 中。单击图标并按照屏幕上的说明进行操作。

- **关闭/启用按钮:**

单击**关闭**按钮以停止 Inkjet Printer/Scanner/Fax Extended Survey Program。

单击**启用**按钮以重新启动 Inkjet Printer/Scanner/Fax Extended Survey Program。

## 与错误对应的支持代码列表

发生错误时，计算机屏幕上会出现支持代码。

“支持代码”表示错误编号，并伴随错误信息一起出现。

发生错误时，检查显示在计算机屏幕上的支持代码并采取适当响应措施。

### 计算机屏幕上出现支持代码

#### • 1000 到 1ZZZ

[1000](#) [1200](#) [1203](#) [1300](#) [1401](#) 1403

[1430](#) [1485](#) [1682](#) 1684 [1686](#) [1688](#)

[168A](#) [1700](#) 1701 1712 1713 1714

1715 [1890](#)

#### • 2000 到 2ZZZ

2114 2123 [2900](#) [2901](#)

#### • 3000 到 3ZZZ

3412 3439 3440 3441 3442 3443

3444 3445 3446

#### • 4000 到 4ZZZ

4100 [4102](#) [4103](#) 495A

#### • 5000 到 5ZZZ

[5011](#) [5012](#) 5050 [5100](#) [5200](#) 5205

5206 [5B00](#) 5B01 5B12 5B13 5B14

5B15

#### • 6000 到 6ZZZ

[6000](#) 6500 6800 6801 6900 6901

6902 6910 6911 6930 6931 6932

6933 6936 6937 6938 6940 6941

6942 6943 6944 6945 6946

• **A000 到 ZZZZ**

B202 B203 B204 B205

有关卡纸支持代码，另请参见[与错误对应的支持代码列表\(卡纸\)](#)。

## 与错误对应的支持代码列表(卡纸)

如果卡纸，请按照如下所示的适当步骤取出卡纸。

- 如果在出纸槽中或后端托盘中可以看到卡纸：
  - [1300](#)
- 如果在出纸槽中或后端托盘中无法看到卡纸：
  - [打印机内卡纸](#)
- 除上述以外的其他情况：
  - 其他情况

## 1300

### 原因

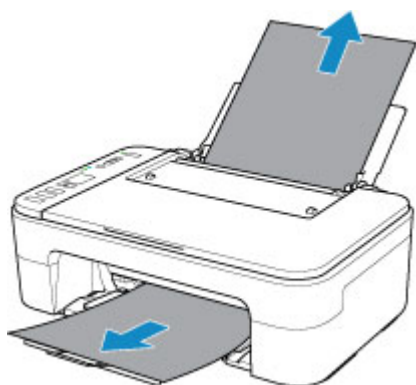
从后端托盘送入纸张时卡纸。

### 处理方法

如果从后端托盘中送入的纸张发生卡纸，请按照以下说明从出纸槽或后端托盘中取出卡纸。

1. 请从出纸槽或后端托盘选择较容易拉出的一端，慢慢地拉出纸张。

用双手托住纸张，然后慢慢将其拉出以免撕裂。



#### ►► 注释

- 如果无法拉出卡纸，请重新开启打印机，无需强行拉出。纸张可能会自动输出。
- 如果在打印过程中卡纸，并且需要关闭打印机才能将其取出，请在关闭打印机前按**停止**按钮停止打印。
- 如果纸张撕裂且无法从出纸槽或后端托盘中取出卡纸，则从打印机内部取出卡纸。

#### ■ [打印机内卡纸](#)

2. 重新装入纸张并按打印机的 **OK** 按钮。

打印机恢复打印。如果正在打印的页面因为卡纸而未正确打印，请重新打印该页。

如果在步骤 1 中关闭打印机，将清除发送到打印机的打印数据。重新打印。

#### ►► 注释

- 重新装入纸张时，请确保使用合适的纸张并将其正确装入打印机。
- 建议使用除 A5 以外的纸张尺寸打印照片或图形文档。A5 纸张在从打印机输出时，可能会卷曲并卡纸。

如果以上措施未能解决问题，请与最近的 Canon 服务中心联系以要求维修。

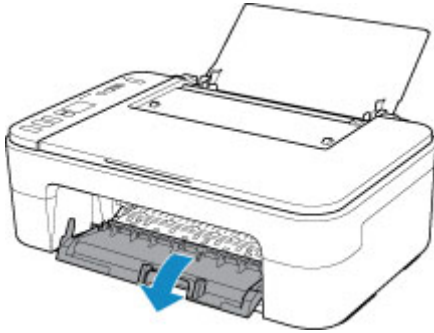
## 打印机内卡纸

如果卡纸撕裂且无法从出纸槽或后端托盘中取出，或者卡纸留在打印机内，请按照以下说明取出卡纸。

### ►► 注释

- 如果在打印过程中卡纸，并且需要关闭打印机才能将其取出，请在关闭打印机前按**停止**按钮停止打印。

1. 关闭打印机并拔出插头。
2. 收回出纸托盘，并打开机盖。



### ►► 重要事项

- 请勿触摸透明薄膜(A)。



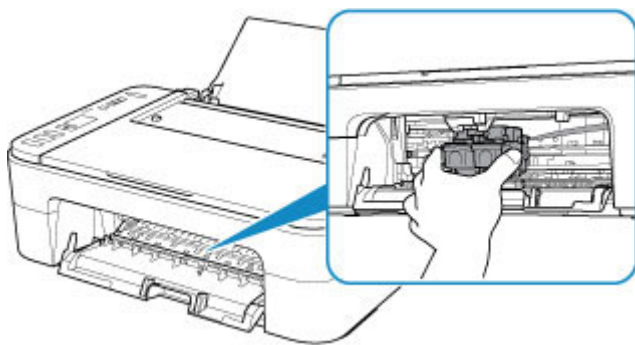
如果用纸张或手碰触到这个部件而将其弄脏或划伤，可能会损坏打印机。

3. 检查卡纸是否在 FINE 墨盒固定器下方。

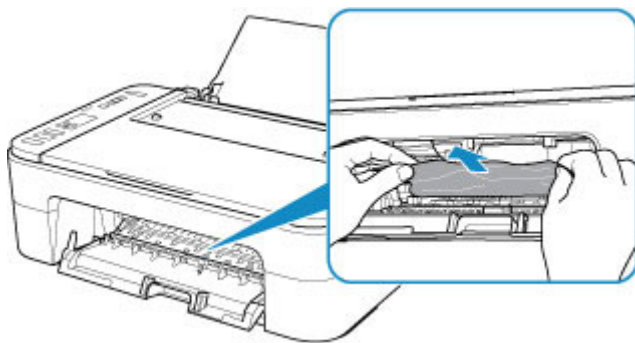
如果卡纸在 FINE 墨盒固定器下方，请将 FINE 墨盒固定器移动到右边缘或左边缘，以便更容易取出卡纸。

移动 FINE 墨盒固定器时，握住 FINE 墨盒固定器并慢慢地将其移动到右边缘或左边缘。

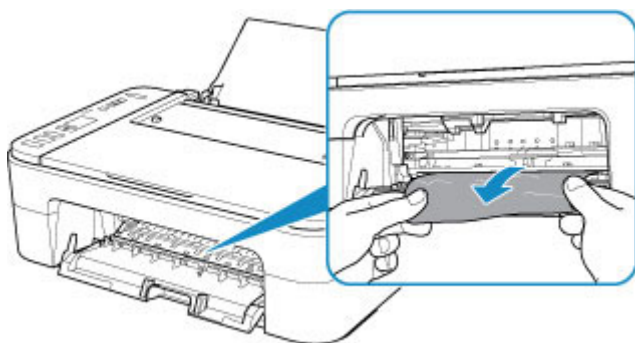




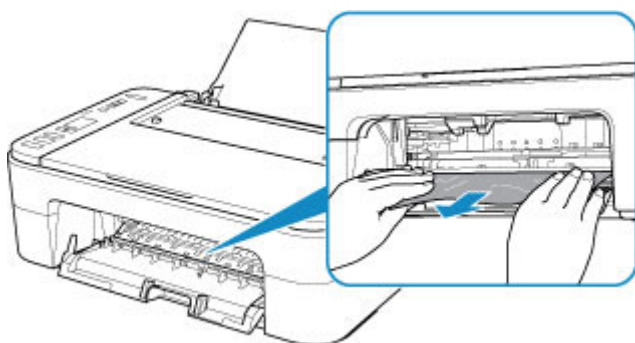
4. 用双手紧握卡纸。



如果纸张卷曲，将其拉出。



5. 慢慢拉出纸张以免其撕裂。

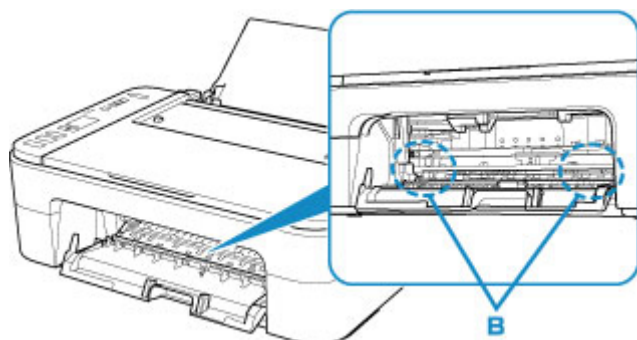


6. 确保已取出所有卡纸。

如果拉出纸张时纸张撕裂，打印机内可能残留纸张碎片。检查以下各项并取出所有残留纸张。

- FINE 墨盒固定器下方是否有纸张残留？

- 打印机内部是否有纸张碎片残留？
- 打印机内部的左侧和右侧空间(B)是否有纸张残留？



## 7. 关闭机盖。

打印队列中所有的作业将被取消。重新打印。

### ►► 注释

- 重新装入纸张时，请确保使用合适的纸张并将其正确装入打印机。如果取出所有卡纸后恢复打印时，计算机屏幕上出现卡纸信息，打印机内可能仍残留纸张碎片。再次检查打印机是否有任何残留纸张碎片。

如果以上措施未能解决问题，请与最近的 Canon 服务中心联系以要求维修。

# 1000

## 原因

可能包括以下原因。

- 后端托盘缺纸。
- 纸张未正确装入后端托盘。

## 处理方法

采取以下相应解决方法。

- 请将纸张装入后端托盘中。
- 装入纸张时，将纸张导片与纸叠对齐。
- 按打印机的**纸张选择**按钮选择后端托盘中的纸张尺寸。

采取上述措施后，按打印机的 **OK** 按钮。

## ►► 注释

- 要取消打印，按打印机的**停止**按钮。

## 1200

### 原因

机盖开启。

### 处理方法

关闭机盖并等待一段时间。

更换 FINE 墨盒时请勿将其关闭。

## 1203

### 原因

打印时机盖开启。

### 处理方法

如果纸张留在打印机内，请用双手慢慢拉出纸张，然后关闭机盖。

按打印机的 **OK** 按钮解决错误。

打印机会输出一张空白纸张并从下一张纸恢复打印。

打印机将不会重新打印打开机盖时所打印的页面。重试打印。

### 重要事项

- 请勿在打印过程中打开或关闭机盖，否则会损坏打印机。

## 1401

### 原因

未安装 FINE 墨盒。

### 处理方法

安装 FINE 墨盒。

如果错误未解决，FINE 墨盒可能已损坏。请与最近的 Canon 服务中心联系以要求维修。

## 1430

### 原因

无法识别 FINE 墨盒。

### 处理方法

取出 FINE 墨盒，然后重新安装。

如果错误未解决，FINE 墨盒可能已损坏。请更换新的 FINE 墨盒。

如果此操作仍未能解决问题，请与最近的 Canon 服务中心联系以要求维修。

## 1485

### 原因

未安装合适的墨盒。

### 处理方法

因为墨盒不支持本打印机，所以无法执行打印。

请安装合适的墨盒。

如果要取消打印，请按打印机的**停止**按钮。



## 1682

### 原因

无法识别 FINE 墨盒。

### 处理方法

更换 FINE 墨盒。

如果错误未解决，FINE 墨盒可能已损坏。请与最近的 Canon 服务中心联系以要求维修。

## 1686

### 原因

墨水可能已用完。

### 处理方法

因为无法正确检测墨水量，剩余墨水量检测功能将被禁用。

如果希望在不使用该功能的情况下继续打印，请按打印机的**停止**按钮至少 5 秒。

由于 Canon 产品只有搭配 Canon 原装墨盒使用才能发挥更优异的性能，因此推荐使用新的 Canon 原装墨盒。

请注意，对于因在墨水用完的情况下继续打印而导致的故障或问题，Canon 将不承担任何责任。

## 1688

### 原因

墨水已用完。

### 处理方法

请更换墨盒，然后关闭机盖。

如果打印正在进行并希望继续打印，请在不取出墨盒的情况下按打印机的**停止**按钮至少 5 秒。然后可以在墨水用完的情况下继续打印。

剩余墨水量检测功能将被禁用。

打印完成后请立即更换空墨盒。如果在墨水用完的情况下继续打印，打印结果的质量不会令人满意。

## 168A

### 原因

未正确安装 FINE 墨盒或安装了与本打印机不兼容的 FINE 墨盒。

### 处理方法

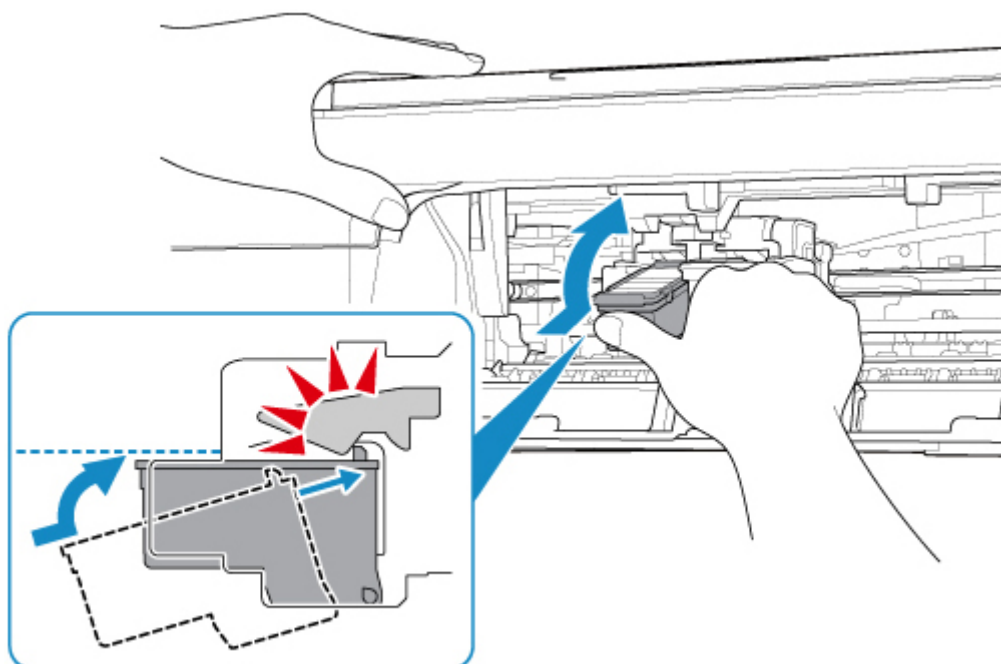
收回出纸托盘扩展架和出纸托盘，打开机盖，然后取出 FINE 墨盒。

确保已安装与打印机兼容的 FINE 墨盒。

然后重新安装 FINE 墨盒。

#### ■ 更换 FINE 墨盒

向上推 FINE 墨盒，直至其锁定到位。



安装后，关闭机盖。

# 1700

## 原因

墨水收集器将满。

## 处理方法

按打印机的 **OK** 按钮继续打印。请与最近的 Canon 服务中心联系以要求维修。

## ▶▶ 注释

- 如果因剩余墨水量而导致出现警告或错误，打印机将无法打印或扫描。

## 1890

### 原因

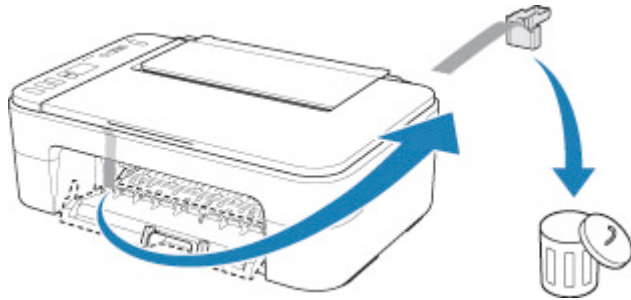
FINE 墨盒固定器上可能仍有保护材料或胶带。

### 处理方法

确保保护材料和胶带已从 FINE 墨盒固定器上取下。

如果保护材料或胶带尚未取下，请收回出纸托盘扩展架和出纸托盘以将其取下。

扯下胶带取出保护材料。



如果机盖打开，请将其关闭。

如果此操作未能解决问题，请与最近的 Canon 服务中心联系以要求维修。

## 2900

### 原因

扫描打印头对齐页失败。

### 处理方法

按打印机的 **OK** 按钮，然后检查以下内容。

- 确保以正确的位置和方向将打印头对齐页放置在稿台玻璃上。
- 确保稿台玻璃和打印头对齐页没有污迹。
- 确保装入的纸张正确。

对于打印头对齐，请装入 A4 或 Letter 尺寸的普通纸。

- 确保打印头喷嘴没有堵塞。

打印喷嘴检查图案以检查打印头状况。

检查以上内容后，请重新开始自动打印头对齐。

如果错误仍未解决，请尝试手动打印头对齐。

## 2901



### 原因

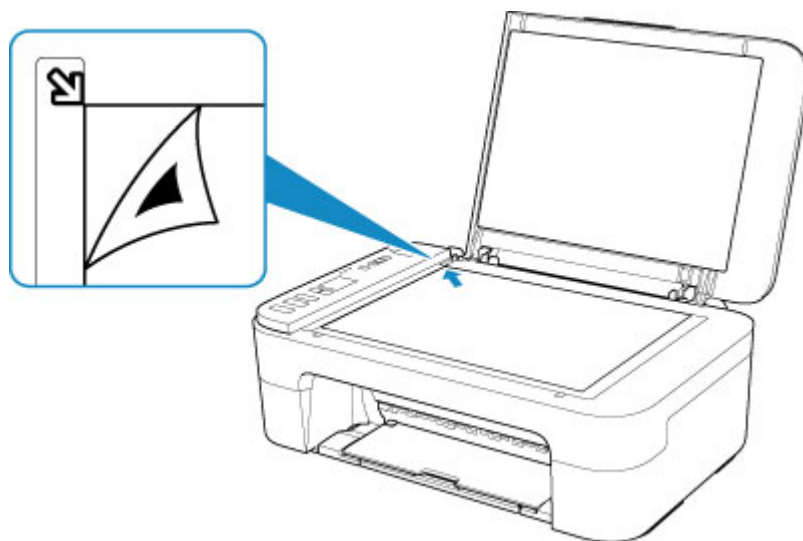
已打印打印头对齐图案，并且打印机正在等待扫描对齐页。

### 处理方法

扫描打印的对齐图案。

1. 将打印头对齐页放置在稿台玻璃上。

将打印面向下放置，并将该页右下角的标记  与对齐标记  对齐。



2. 轻轻关闭文档盖板，然后按打印机的黑白或彩色按钮。

打印机开始扫描打印头对齐页，并且将自动调整打印头位置。



## 4102

### 原因

未正确设置介质类型和纸张尺寸。

### 处理方法

按打印机的**停止**按钮取消打印，更改介质类型或纸张尺寸设置，然后重试打印。

- 介质类型设置为高级光面照片纸 II 时：  
将纸张尺寸设置为 10 x 15 厘米(4" x 6")、13 x 18 厘米(5" x 7")或正方形 13 x 13 厘米(5" x 5")。
- 介质类型设置为光面照相纸时：  
将纸张尺寸设置为 10 x 15 厘米(4" x 6")。

## 4103

### 原因

使用当前打印设置无法执行打印。

### 处理方法

按打印机的**停止**按钮取消打印。

然后，更改打印设置并重试打印。

## 5011

### 原因

发生打印机错误。

### 处理方法

关闭打印机并拔出插头。

重新插入打印机插头，然后重新开启。

如果此操作未能解决问题，请与最近的 Canon 服务中心联系以要求维修。

## 5012

### 原因

发生打印机错误。

### 处理方法

关闭打印机并拔出插头。

重新插入打印机插头，然后重新开启。

如果此操作未能解决问题，请与最近的 Canon 服务中心联系以要求维修。

## 5100

### 原因

发生打印机错误。

### 处理方法

取消打印并关闭打印机。

检查以下各项：

- 确保 FINE 墨盒固定器的移动不受稳定器、卡纸等阻碍。

移除所有障碍物。

- 确保 FINE 墨盒已正确安装。

向上推 FINE 墨盒，直至其锁定到位。

再次开启打印机。

如果此操作未能解决问题，请与最近的 Canon 服务中心联系以要求维修。

### 重要事项

- 清除对 FINE 墨盒固定器移动的障碍物时，请注意不要触摸透明薄膜(A)。



如果用纸张或手碰触到这个部件而将其弄脏或划伤，可能会损坏打印机。

## 5200

### 原因

发生打印机错误。

### 处理方法

关闭打印机并拔出插头。

一段时间后，重新插入打印机插头并再次启动。

如果此操作未能解决问题，请与最近的 Canon 服务中心联系以要求维修。

## 5B00

### 原因

发生打印机错误。

### 处理方法

请与最近的 Canon 服务中心联系以要求维修。

### 注釋

- 如果因剩余墨水量而导致出现警告或错误，打印机将无法打印或扫描。

## 6000

### 原因

发生打印机错误。

### 处理方法

如果发生卡纸，请根据卡纸位置和原因取出纸张。

#### ■ [与错误对应的支持代码列表\(卡纸\)](#)

关闭打印机并拔出插头。

重新插入打印机插头，然后重新开启。

如果此操作未能解决问题，请与最近的 Canon 服务中心联系以要求维修。