



PRO-520 在线手册

打印机功能
纸张的处理和使用
从操作面板/Web 浏览器更改设置
各部分的说明
网络设置
用于获得更高打印质量的调整
色彩管理
维护和耗材
规格
安全相关
打印流程
增强的打印选项
Windows 软件
Mac OS 软件
管理打印作业
故障排除
与错误对应的支持代码列表

中文(简体) (Chinese (Simplified))

目录

使用本在线手册.....	20
商标和许可协议.....	21
搜索提示.....	30
打印机功能.....	32
通过无线 LAN 将设备连接到打印机(直接连接).....	33
使用 Quick Utility Toolbox 便捷管理打印机.....	34
可用连接方法.....	35
使用 Device Management Console 管理打印机状态.....	38
纸张的处理和使用.....	39
关于纸张.....	41
纸张类型.....	42
纸张大小.....	43
使用除原装纸张和已确认可以进给的纸张以外的其他纸张.....	46
使用现有设置在除原装纸张和已确认可以进给的纸张以外的其他纸张上打印.....	47
通过添加介质类型在除原装纸张和已确认可以进给的纸张以外的其他纸张上打印.....	48
更新为最新的纸张信息.....	49
卷纸的使用方法.....	50
在卷纸支架上装入卷纸.....	51
将上行卷纸装入打印机.....	54
在卷纸单元上装入下行卷纸(选装件).....	59
变更介质类型.....	64
设置纸张的长度.....	67
从打印机取下上行卷纸.....	68
从卷纸单元取出下行卷纸(选装件).....	71
从卷纸支架上取下卷纸.....	74
手动进给卷纸.....	76
管理卷纸的剩余量.....	77
设置卷纸的墨水干燥时间.....	78
设置卷纸的切断方法.....	81
自动切断卷纸上端.....	89
减少卷纸的切屑.....	91
自动切换卷纸.....	92

单页纸的使用方法.....	93
将单页纸安装到打印机上.....	94
从任意位置开始打印.....	98
取下单页纸.....	101
篮子.....	103
篮子部件.....	104
使用篮子.....	105
篮子设置示例.....	108
存放篮子.....	112
卷纸单元.....	114
卷纸单元部件.....	115
卷纸单元.....	117
切换卷纸单元模式.....	118
以收纸模式使用卷纸单元.....	120
从卷纸单元上取下打印纸.....	128
从操作面板/Web 浏览器更改设置.....	131
操作和触摸屏.....	132
操作面板.....	133
触摸屏.....	135
查看说明进行操作.....	138
从操作面板更改设置.....	140
打印机菜单操作.....	141
菜单操作.....	142
菜单结构.....	147
从操作面板更改设置.....	160
操作面板上的设置项目.....	162
作业管理.....	163
测试打印.....	164
打印设置.....	165
LAN 设置.....	166
设备用户设置.....	175
语言选择.....	177
纸张相关设置.....	178
自动维护设置.....	180

管理员密码设置.....	181
在操作面板上设置管理员密码.....	182
硬盘设置.....	184
特殊管理模式.....	185
打印机信息.....	186
状态打印.....	187
使用 Web 浏览器更改打印机的设置.....	190
使用 Web 浏览器更改设置.....	191
可使用 Web 浏览器更改的设置项目.....	193
设置密码.....	195
注册打印机根证书至 Web 浏览器.....	197
设置邮件服务器.....	200
通过电子邮件接收打印机状态.....	202
各部分的说明.....	203
各部分的说明.....	204
前面.....	205
背面.....	207
上盖内部.....	208
托架.....	209
墨水盒舱盖内部.....	210
硬盘.....	211
打印机硬盘操作.....	212
检查可用硬盘空间.....	213
删除打印机硬盘上的数据.....	214
选购件.....	215
卷纸支架组.....	216
支架.....	217
支架部件.....	218
卷纸单元.....	219
网络设置.....	220
网络连接提示.....	221
默认网络设置.....	222
找到其他具有相同名称的打印机.....	224

通过 LAN 连接到其他计算机/从 USB 更改为 LAN 连接.....	225
打印网络设置.....	226
更改 LAN 连接方法/更改无线 LAN 连接方法(Windows).....	241
使用远程用户界面更改网络设置.....	242
IJ Network Device Setup Utility.....	243
IJ Network Device Setup Utility.....	244
启动 IJ Network Device Setup Utility.....	245
IJ Network Device Setup Utility 屏幕.....	246
执行网络设置.....	251
执行/更改有线 LAN 设置.....	252
执行/更改无线 LAN 设置.....	255
指定打印机信息.....	259
初始化网络设置.....	260
更改管理员密码.....	261
设置打印机的搜索条件/搜索特定打印机.....	262
如果出现 WEP 详细信息屏幕.....	264
如果出现 WPA/WPA2 详细信息屏幕.....	265
检查网络状态.....	266
检查无线网络状态.....	267
显示计算机网络信息.....	268
显示打印机网络信息.....	269
检查打印机和无线路由器之间的连接状态.....	270
查看网络设置差异.....	271
IJ Network Device Setup Utility 菜单.....	272
打印机菜单.....	273
视图菜单.....	275
选项菜单.....	277
帮助菜单.....	278
其它网络信息.....	279
技术术语.....	280
限制.....	286
防火墙.....	287
在网络上共享打印机(Windows).....	288
设置共享打印机.....	289
打印机共享的限制.....	291

通过无线 LAN 将智能手机/平板电脑连接到打印机.....	293
通过无线 LAN 路由器将智能手机/平板电脑连接到打印机.....	294
用于获得更高打印质量的调整.....	296
调整打印头.....	297
调整打印头.....	298
自动调整纵向线条的歪斜或彩色边纹.....	299
手动调整纵向线条的歪斜或彩色边纹.....	301
改善纸张的摩擦和图像的模糊.....	303
调整进纸量.....	305
调整进纸量.....	306
选择进纸量调整方法.....	307
自动条纹调整.....	308
手动条纹调整.....	310
微调进纸量.....	312
调整线条长度.....	313
调整真空强度.....	315
色彩管理.....	316
色彩校准.....	317
管理色彩.....	318
执行色彩校准.....	320
色彩校准的调整类型.....	323
维护和耗材.....	326
墨水盒.....	328
墨水盒.....	329
更换墨水盒.....	331
检查墨水盒的剩余量.....	342
何时更换墨水盒.....	343
打印头.....	344
打印头.....	345
检查喷嘴是否堵塞.....	346
清洗打印头.....	348
更换打印头.....	350

保养墨盒.....	358
保养墨盒.....	359
更换保养墨盒.....	360
检查保养墨盒的剩余容量.....	364
何时更换保养墨盒.....	365
切刀刀片.....	366
切刀刀片.....	367
更换切刀刀片.....	368
从计算机执行维护功能(Windows).....	372
清洗打印头.....	373
打印喷嘴检查图案.....	374
清洁打印机.....	376
清洁打印机的外表.....	377
清洁上盖内侧.....	379
清洁卷纸单元.....	382
其他维护.....	383
进行运输打印机的准备.....	384
重新安装打印机.....	388
规格.....	392
打印机规格.....	393
规格.....	394
打印范围.....	398
安全相关.....	400
安全注意事项.....	401
法规信息.....	402
WEEE (EU&EEA).....	404
打印流程.....	405
打印步骤.....	406
卷纸打印与单页纸打印可以做的事情.....	407
打开/关闭电源.....	409
安装卷纸并打印.....	412
安装单页纸进行打印.....	415

通过 Windows 打印.....	417
从 Mac OS 打印.....	418
中止打印.....	420
通过操作面板中止打印.....	421
通过 Windows 中止打印.....	422
通过 Mac OS 中止打印.....	424
打印的暂停.....	425
使打印处于暂停状态.....	426
增强的打印选项.....	427
从计算机打印(Windows).....	431
使用简易设置进行打印.....	432
设置打印份数和打印顺序.....	437
通过卷纸单元使用双卷纸.....	438
关于双卷纸切换.....	439
根据用途设置打印机中的卷纸.....	440
通过自动切换上行和下行卷纸进行打印.....	442
如何切换卷纸.....	448
将卷纸单元设置反映至打印机驱动程序.....	452
打印照片和业务文档.....	453
通过设置打印用途进行打印.....	454
在 PosterArtist 中编辑并打印.....	457
更改打印质量及修正图像数据.....	459
调整色彩平衡.....	460
设置打印质量级别(用户定义).....	462
用单色打印彩色文档.....	464
调整色调.....	466
指定色彩修正.....	469
图像数据最佳化照片打印.....	472
使用打印机驱动程序调整色彩.....	473
使用 ICC 配置文件进行打印.....	476
解析 ICC 配置文件.....	481
调节亮度.....	482
调节对比度.....	484
使用详细设置模式打印.....	486

比例打印.....	489
打印超大尺寸纸张.....	491
设置纸张尺寸(用户定义尺寸).....	494
根据情况执行无边距打印.....	498
根据纸张尺寸执行无边距打印.....	499
根据卷纸宽度执行无边距打印.....	502
执行无边距全尺寸打印.....	505
更改无色涂膜设置.....	508
打印条幅和横幅(大幅面打印).....	510
通过分割/组合文档进行打印.....	512
排列并打印多个文档.....	513
连接多页打印.....	515
在一个页面上打印多页.....	517
分割并打印海报.....	519
居中打印文档.....	522
节省卷纸进行打印.....	525
通过将文档旋转 90 度节省卷纸.....	526
通过去除文档上下页边距节省卷纸.....	529
转换符合用途的纸张来源.....	532
打印前显示打印效果.....	534
其他便捷设置.....	535
印记打印.....	536
注册印记.....	537
设置页尺寸和方向.....	540
注册常用打印配置文件.....	541
打印后裁切卷纸.....	543
从计算机打印 (Mac OS).....	545
从打印机打印.....	547
从 USB 闪存打印.....	548
打印保存在 USB 闪存上的数据.....	549
使用操作面板设置打印项目.....	552
从智能手机/平板电脑打印.....	553
通过无线 LAN 将智能手机/平板电脑直接连接到打印机(直接连接).....	554
Windows 软件.....	558

打印机驱动程序.....	559
打印机驱动程序概述.....	560
Canon IJ 打印机驱动程序.....	561
更改打印选项.....	562
Canon imagePROGRAF Preview.....	564
如何打开打印机驱动程序设置窗口.....	565
更新打印机驱动程序中的介质信息.....	566
设置帐户管理信息.....	568
删除不需要的打印作业.....	570
Canon IJ 状态监视器.....	571
从计算机检查墨水状态.....	572
使用说明(打印机驱动程序).....	573
打印机驱动程序描述.....	576
主要选项卡的说明.....	577
页设置选项卡的说明.....	585
版式选项卡的说明.....	590
收藏选项卡的说明.....	596
维护选项卡的说明.....	598
设备设置选项卡的说明.....	600
Canon IJ 状态监视器描述.....	602
更新打印机驱动程序.....	605
获取最新的打印机驱动程序.....	606
删除不需要的打印机驱动程序.....	607
安装打印机驱动程序之前.....	608
安装打印机驱动程序.....	609
Mac OS 软件.....	610
管理打印作业.....	611
检查打印作业信息.....	612
基本打印作业操作.....	613
使用打印机硬盘.....	614
将打印作业保存到打印机硬盘.....	616
管理作业队列(删除或占用其他作业).....	619
管理等待中的作业(打印或删除保留作业).....	622
打印保存的作业.....	624

删除保存的作业.....	628
移动保存的作业.....	631
高级打印作业操作.....	634
保存从打印机驱动程序以外的来源发送的打印作业.....	635
在不保存至通用作业箱的情况下打印.....	637
设置个人作业箱密码.....	638
命名个人作业箱.....	640
显示已保存作业的列表.....	642
打印已保存作业的列表.....	644
显示已保存作业的详细信息.....	645
重命名已保存的作业.....	648
打印机硬盘操作.....	212
检查可用硬盘空间.....	213
故障排除.....	653
想轻松制作条幅或横幅.....	656
本打印机是否支持辅助墨水盒系统?.....	657
想知道如何设置卷纸裁切.....	658
想知道如何设置,以便等待墨水干燥后自动切断卷纸.....	659
想进行无边距打印(不带边框).....	660
想知道可以在本打印机中使用的纸张类型.....	661
要打印的纸张类型未显示在触摸屏上.....	662
色彩校准是一种什么功能?.....	663
我可以进行双面打印吗?.....	664
想进行放大打印.....	665
与纸张有关的问题.....	666
清除卡住的卷纸.....	667
清除卡住的单页纸.....	671
卷纸不进入供纸槽.....	675
无法自动送入纸张.....	676
不能安装单页纸.....	677
不能整齐地切断纸张.....	678
纸张切不断.....	679
不能检测透明胶片的尺寸.....	680
页边距过宽.....	681
在卷纸上打印时,打印面被刮擦.....	682

打印不开始.....	683
操作面板的数据指示灯不点亮.....	684
即使发送打印数据, 打印机也不动作.....	685
会显示“正在注入墨水”.....	686
会显示“正在搅拌墨水”.....	687
打印机在打印中途停止.....	688
打印停止并显示错误信息.....	689
纸张排出白纸.....	690
打印质量的问题.....	691
打印模糊.....	692
打印头摩擦纸张.....	694
纸张端部弄脏.....	696
纸张表面脏污.....	698
纸张背面弄脏.....	699
无边界打印之后的通常打印过程中纸张后端边缘脏污.....	700
打印色感错误.....	701
出现色调不同的条纹.....	703
出现色彩不均.....	705
像的边缘模糊、出现白色条纹.....	707
在打印过程中周期性地发生浓淡差.....	708
打印品进纸方向的长度不正确.....	709
纸张上打印歪斜.....	710
打印成单色(墨黑).....	711
线的粗细打印不均.....	712
网格线歪斜或出现彩色边纹.....	713
无边界打印中出现白边.....	714
无法通过网络打印.....	715
无法将打印机连接至网络.....	716
无法通过 TCP/IP 网络打印.....	717
无法通过 Bonjour 网络打印(Mac OS).....	718
无法在网络上找到打印机.....	719
无法在检查打印机设置屏幕上找到打印机(Windows).....	720
在打印机连接屏幕/连接电缆线屏幕无法继续操作.....	721
在设置过程中按 IP 地址或主机名称搜索打印机.....	723
安装问题.....	726

删除打印机软件.....	727
其他问题.....	728
电源打不开.....	729
启动花费时间.....	730
觉得是异常音时.....	731
指示确认保养墨盒的提示信息不消失.....	733
墨水消耗异常.....	734
打印页未整齐收入篮子.....	735
已设置首先剪裁边缘时，剪裁的纸张被卷入卷纸单元.....	736
关于墨水剩余量检测功能.....	737
与错误对应的支持代码列表.....	738
1005.....	740
100A.....	741
100B.....	742
100E.....	743
100F.....	744
1012.....	745
1018.....	746
1019.....	747
1021.....	748
1022.....	749
1023.....	750
1024.....	751
1025.....	752
1051.....	753
1052.....	754
1054.....	755
1055.....	756
1056.....	757
1057.....	758
1061.....	759
1200.....	760
1201.....	761

1210.....	762
1213.....	763
1214.....	764
1300.....	765
1306.....	766
1317.....	767
1318.....	768
1322.....	769
1323.....	770
1324.....	771
1325.....	772
1401.....	773
1403.....	774
1408.....	775
1409.....	776
140A.....	777
140B.....	778
140C.....	779
140F.....	780
1477.....	781
1478.....	782
1480.....	783
1481.....	784
1485.....	785
1492.....	786
1494.....	787
1495.....	788
1500.....	789
1551.....	790
1552.....	791
1570.....	792
1571.....	793
1660.....	794

168B.....	795
1720.....	796
1721.....	797
1722.....	798
1730.....	799
1731.....	800
1752.....	801
1753.....	802
1756.....	803
1757.....	804
1875.....	805
2001.....	806
2002.....	807
2130.....	808
2131.....	809
2132.....	810
3000.....	811
3001.....	812
3101.....	813
3200.....	814
3201.....	815
3250.....	816
3306.....	817
3311.....	818
3312.....	819
3313.....	820
3314.....	821
3315.....	822
3316.....	823
3317.....	824
3330.....	825
3331.....	826
3332.....	827

3333.....	828
3334.....	829
3335.....	830
3336.....	831
3340.....	832
3341.....	833
3350.....	834
3351.....	835
3352.....	836
3414.....	837
3415.....	838
3416.....	839
3417.....	840
3418.....	841
3419.....	842
3420.....	843
3421.....	844
3422.....	845
3423.....	846
3424.....	847
4107.....	848
4111.....	849
4112.....	850
4113.....	851
4114.....	852
4115.....	853
4116.....	854
4117.....	855
4118.....	856
4119.....	857
4120.....	858
4121.....	859
4801.....	860

4900.....	861
4901.....	862
4903.....	863
4905.....	864
4910.....	865
4911.....	866
4913.....	867
4920.....	868
4922.....	869
4924.....	870
4925.....	871
4926.....	872
4927.....	873
4931.....	874
4932.....	875
4933.....	876
4934.....	877
4935.....	878
4950.....	879
4951.....	880
4952.....	881
4953.....	882
4954.....	883
4955.....	884
4956.....	885
4957.....	886
4959.....	887
5106.....	888
5200.....	889
5A60.....	890
5A61.....	891
5B16.....	892
5B20.....	893

5B21.....	894
5C00.....	895
6502.....	896
6700.....	897
6702.....	898
6820.....	899
6900.....	900
6901.....	901
6902.....	902
6910.....	903
6911.....	904
6920.....	905
6921.....	906
6930.....	907
6931.....	908
6932.....	909
6933.....	910
6940.....	911
6941.....	912
6942.....	913
6943.....	914
6944.....	915
6945.....	916
6946.....	917
7001.....	918
7003.....	919
7004.....	920
7050.....	921
7051.....	922
7052.....	923
8200.....	924
9000.....	925
9110.....	926

B20A..... 927
B510..... 928

使用本在线手册

- [该文档中使用的符号](#)
- [已启用触摸功能的设备用户 \(Windows\)](#)

该文档中使用的符号

警告

如果忽略说明，可能会由于不正确的设备操作而导致死亡或严重的人身伤害。为安全操作必须注意该说明。

注意

如果忽略说明，可能会由于不正确的设备操作而导致人身伤害或器材损坏。为安全操作必须注意该说明。

重要事项

包含重要信息的用法说明。要避免机器损坏、人身伤害或不正当使用本产品，请务必阅读这些指示。

注释

该说明包括对于操作和其他解释的注意事项。

基础

介绍产品基本操作的说明。

注释

- 根据产品，图标可能会有所不同。

已启用触摸功能的设备用户 (Windows)

对于触摸操作，需要使用操作系统中设置的操作替换本文档中的“右键单击”。例如，如果操作系统中设置的操作为“按住”，请将“右键单击”替换为“按住”。

商标和许可协议

- Microsoft 是 Microsoft Corporation 的注册商标。
- Windows 是 Microsoft Corporation 在美国和/或其他国家/地区的商标或注册商标。
- Windows Vista 是 Microsoft Corporation 在美国和/或其他国家/地区的商标或注册商标。
- Internet Explorer 是 Microsoft Corporation 在美国和/或其他国家/地区的商标或注册商标。
- Mac、Mac OS、AirPort、Safari、Bonjour、iPad、iPhone 和 iPod touch 是 Apple Inc.在美国和其他国家/地区注册的商标。App Store、AirPrint 和 AirPrint 徽标是 Apple Inc.的商标。
- IOS 是 Cisco 在美国和其他国家/地区的商标或注册商标，在许可下使用。
- Google Cloud Print、Google Chrome、Chrome OS、Chromebook、Android、Google Play、Google Drive、Google Apps 和 Picasa 是 Google Inc.的注册商标或商标。
- Adobe、Flash、Photoshop、Photoshop Elements、Lightroom、Adobe RGB 和 Adobe RGB (1998)是 Adobe Systems Incorporated 在美国和/或其他国家/地区的注册商标或商标。
- Bluetooth 是 Bluetooth SIG, Inc., U.S.A.的商标并授权给 Canon Inc.
- Autodesk 和 AutoCAD 是 Autodesk, Inc.和/或其子公司和/或其关联公司在美国和/或其他国家的注册商标或商标。

»» 注释

- Windows Vista 的正式名称为 Microsoft Windows Vista 操作系统。

Copyright (c) 2003-2004, Apple Computer, Inc. All rights reserved.

Redistribution and use in source and binary forms, with or without modification, are permitted provided that the following conditions are met:

1. Redistributions of source code must retain the above copyright notice, this list of conditions and the following disclaimer.
2. Redistributions in binary form must reproduce the above copyright notice, this list of conditions and the following disclaimer in the documentation and/or other materials provided with the distribution.
3. Neither the name of Apple Computer, Inc. ("Apple") nor the names of its contributors may be used to endorse or promote products derived from this software without specific prior written permission.

THIS SOFTWARE IS PROVIDED BY APPLE AND ITS CONTRIBUTORS "AS IS" AND ANY EXPRESS OR IMPLIED WARRANTIES, INCLUDING, BUT NOT LIMITED TO, THE IMPLIED WARRANTIES OF MERCHANTABILITY AND FITNESS FOR A PARTICULAR PURPOSE ARE DISCLAIMED. IN NO EVENT SHALL APPLE OR ITS CONTRIBUTORS BE LIABLE FOR ANY DIRECT, INDIRECT, INCIDENTAL, SPECIAL, EXEMPLARY, OR CONSEQUENTIAL DAMAGES (INCLUDING, BUT NOT LIMITED TO, PROCUREMENT OF SUBSTITUTE GOODS OR SERVICES; LOSS OF USE, DATA, OR PROFITS; OR BUSINESS INTERRUPTION) HOWEVER CAUSED AND ON ANY THEORY OF LIABILITY, WHETHER IN CONTRACT, STRICT LIABILITY, OR TORT INCLUDING NEGLIGENCE OR OTHERWISE) ARISING IN ANY WAY OUT OF THE USE OF THIS SOFTWARE, EVEN IF ADVISED OF THE POSSIBILITY OF SUCH DAMAGE.

Apache License

Version 2.0, January 2004

<http://www.apache.org/licenses/>

TERMS AND CONDITIONS FOR USE, REPRODUCTION, AND DISTRIBUTION

1. Definitions.

"License" shall mean the terms and conditions for use, reproduction, and distribution as defined by Sections 1 through 9 of this document.

"Licensor" shall mean the copyright owner or entity authorized by the copyright owner that is granting the License.

"Legal Entity" shall mean the union of the acting entity and all other entities that control, are controlled by, or are under common control with that entity. For the purposes of this definition, "control" means (i) the power, direct or indirect, to cause the direction or management of such entity, whether by contract or otherwise, or (ii) ownership of fifty percent (50%) or more of the outstanding shares, or (iii) beneficial ownership of such entity.

"You" (or "Your") shall mean an individual or Legal Entity exercising permissions granted by this License.

"Source" form shall mean the preferred form for making modifications, including but not limited to software source code, documentation source, and configuration files.

"Object" form shall mean any form resulting from mechanical transformation or translation of a Source form, including but not limited to compiled object code, generated documentation, and conversions to other media types.

"Work" shall mean the work of authorship, whether in Source or Object form, made available under the License, as indicated by a copyright notice that is included in or attached to the work (an example is provided in the Appendix below).

"Derivative Works" shall mean any work, whether in Source or Object form, that is based on (or derived from) the Work and for which the editorial revisions, annotations, elaborations, or other modifications represent, as a whole, an original work of authorship. For the purposes of this License, Derivative Works shall not include works that remain separable from, or merely link (or bind by name) to the interfaces of, the Work and Derivative Works thereof.

"Contribution" shall mean any work of authorship, including the original version of the Work and any modifications or additions to that Work or Derivative Works thereof, that is intentionally submitted to Licensor for inclusion in the Work by the copyright owner or by an individual or Legal Entity authorized to submit on behalf of the copyright owner. For the purposes of this definition, "submitted" means any form of electronic, verbal, or written communication sent to the Licensor or its representatives, including but not limited to communication on electronic mailing lists, source code control systems, and issue tracking systems that are managed by, or on behalf of, the Licensor for the purpose of discussing and improving the Work, but excluding communication that is conspicuously marked or otherwise designated in writing by the copyright owner as "Not a Contribution."

"Contributor" shall mean Licensor and any individual or Legal Entity on behalf of whom a Contribution has been received by Licensor and subsequently incorporated within the Work.

2. Grant of Copyright License. Subject to the terms and conditions of this License, each Contributor hereby grants to You a perpetual, worldwide, non-exclusive, no-charge, royalty-free, irrevocable copyright license to reproduce, prepare Derivative Works of, publicly display, publicly perform, sublicense, and distribute the Work and such Derivative Works in Source or Object form.
3. Grant of Patent License. Subject to the terms and conditions of this License, each Contributor hereby grants to You a perpetual, worldwide, non-exclusive, no-charge, royalty-free, irrevocable (except as stated in this section) patent license to make, have made, use, offer to sell, sell, import, and otherwise transfer the Work, where such license applies only to those patent claims licensable by such Contributor that are necessarily infringed by their Contribution(s) alone or by combination of their

Contribution(s) with the Work to which such Contribution(s) was submitted. If You institute patent litigation against any entity (including a cross-claim or counterclaim in a lawsuit) alleging that the Work or a Contribution incorporated within the Work constitutes direct or contributory patent infringement, then any patent licenses granted to You under this License for that Work shall terminate as of the date such litigation is filed.

4. Redistribution. You may reproduce and distribute copies of the Work or Derivative Works thereof in any medium, with or without modifications, and in Source or Object form, provided that You meet the following conditions:
 1. You must give any other recipients of the Work or Derivative Works a copy of this License; and
 2. You must cause any modified files to carry prominent notices stating that You changed the files; and
 3. You must retain, in the Source form of any Derivative Works that You distribute, all copyright, patent, trademark, and attribution notices from the Source form of the Work, excluding those notices that do not pertain to any part of the Derivative Works; and
 4. If the Work includes a "NOTICE" text file as part of its distribution, then any Derivative Works that You distribute must include a readable copy of the attribution notices contained within such NOTICE file, excluding those notices that do not pertain to any part of the Derivative Works, in at least one of the following places: within a NOTICE text file distributed as part of the Derivative Works; within the Source form or documentation, if provided along with the Derivative Works; or, within a display generated by the Derivative Works, if and wherever such third-party notices normally appear. The contents of the NOTICE file are for informational purposes only and do not modify the License. You may add Your own attribution notices within Derivative Works that You distribute, alongside or as an addendum to the NOTICE text from the Work, provided that such additional attribution notices cannot be construed as modifying the License.

You may add Your own copyright statement to Your modifications and may provide additional or different license terms and conditions for use, reproduction, or distribution of Your modifications, or for any such Derivative Works as a whole, provided Your use, reproduction, and distribution of the Work otherwise complies with the conditions stated in this License.

5. Submission of Contributions. Unless You explicitly state otherwise, any Contribution intentionally submitted for inclusion in the Work by You to the Licensor shall be under the terms and conditions of this License, without any additional terms or conditions. Notwithstanding the above, nothing herein shall supersede or modify the terms of any separate license agreement you may have executed with Licensor regarding such Contributions.
6. Trademarks. This License does not grant permission to use the trade names, trademarks, service marks, or product names of the Licensor, except as required for reasonable and customary use in describing the origin of the Work and reproducing the content of the NOTICE file.
7. Disclaimer of Warranty. Unless required by applicable law or agreed to in writing, Licensor provides the Work (and each Contributor provides its Contributions) on an "AS IS" BASIS, WITHOUT WARRANTIES OR CONDITIONS OF ANY KIND, either express or implied, including, without limitation, any warranties or conditions of TITLE, NON-INFRINGEMENT, MERCHANTABILITY, or FITNESS FOR A PARTICULAR PURPOSE. You are solely responsible for determining the appropriateness of using or redistributing the Work and assume any risks associated with Your exercise of permissions under this License.
8. Limitation of Liability. In no event and under no legal theory, whether in tort (including negligence), contract, or otherwise, unless required by applicable law (such as deliberate and grossly negligent acts) or agreed to in writing, shall any Contributor be liable to You for damages, including any direct,

indirect, special, incidental, or consequential damages of any character arising as a result of this License or out of the use or inability to use the Work (including but not limited to damages for loss of goodwill, work stoppage, computer failure or malfunction, or any and all other commercial damages or losses), even if such Contributor has been advised of the possibility of such damages.

9. Accepting Warranty or Additional Liability. While redistributing the Work or Derivative Works thereof, You may choose to offer, and charge a fee for, acceptance of support, warranty, indemnity, or other liability obligations and/or rights consistent with this License. However, in accepting such obligations, You may act only on Your own behalf and on Your sole responsibility, not on behalf of any other Contributor, and only if You agree to indemnify, defend, and hold each Contributor harmless for any liability incurred by, or claims asserted against, such Contributor by reason of your accepting any such warranty or additional liability.

END OF TERMS AND CONDITIONS

---- Part 1: CMU/UCD copyright notice: (BSD like) ----

Copyright 1989, 1991, 1992 by Carnegie Mellon University

Derivative Work - 1996, 1998-2000

Copyright 1996, 1998-2000 The Regents of the University of California

All Rights Reserved

Permission to use, copy, modify and distribute this software and its documentation for any purpose and without fee is hereby granted, provided that the above copyright notice appears in all copies and that both that copyright notice and this permission notice appear in supporting documentation, and that the name of CMU and The Regents of the University of California not be used in advertising or publicity pertaining to distribution of the software without specific written permission.

CMU AND THE REGENTS OF THE UNIVERSITY OF CALIFORNIA DISCLAIM ALL WARRANTIES WITH REGARD TO THIS SOFTWARE, INCLUDING ALL IMPLIED WARRANTIES OF MERCHANTABILITY AND FITNESS. IN NO EVENT SHALL CMU OR THE REGENTS OF THE UNIVERSITY OF CALIFORNIA BE LIABLE FOR ANY SPECIAL, INDIRECT OR CONSEQUENTIAL DAMAGES OR ANY DAMAGES WHATSOEVER RESULTING FROM THE LOSS OF USE, DATA OR PROFITS, WHETHER IN AN ACTION OF CONTRACT, NEGLIGENCE OR OTHER TORTIOUS ACTION, ARISING OUT OF OR IN CONNECTION WITH THE USE OR PERFORMANCE OF THIS SOFTWARE.

---- Part 2: Networks Associates Technology, Inc copyright notice (BSD) ----

Copyright (c) 2001-2003, Networks Associates Technology, Inc

All rights reserved.

Redistribution and use in source and binary forms, with or without modification, are permitted provided that the following conditions are met:

- * Redistributions of source code must retain the above copyright notice, this list of conditions and the following disclaimer.
- * Redistributions in binary form must reproduce the above copyright notice, this list of conditions and the following disclaimer in the documentation and/or other materials provided with the distribution.
- * Neither the name of the Networks Associates Technology, Inc nor the names of its contributors may be used to endorse or promote products derived from this software without specific prior written permission.

THIS SOFTWARE IS PROVIDED BY THE COPYRIGHT HOLDERS AND CONTRIBUTORS ``AS IS" AND ANY EXPRESS OR IMPLIED WARRANTIES, INCLUDING, BUT NOT LIMITED TO, THE IMPLIED WARRANTIES OF MERCHANTABILITY AND FITNESS FOR A PARTICULAR PURPOSE ARE DISCLAIMED. IN NO EVENT SHALL THE COPYRIGHT HOLDERS OR CONTRIBUTORS BE LIABLE FOR ANY DIRECT, INDIRECT, INCIDENTAL, SPECIAL, EXEMPLARY, OR CONSEQUENTIAL DAMAGES (INCLUDING, BUT NOT LIMITED TO, PROCUREMENT OF SUBSTITUTE GOODS OR SERVICES; LOSS OF USE, DATA, OR PROFITS; OR BUSINESS INTERRUPTION) HOWEVER CAUSED AND ON ANY THEORY OF LIABILITY, WHETHER IN CONTRACT, STRICT LIABILITY, OR TORT (INCLUDING NEGLIGENCE OR OTHERWISE) ARISING IN ANY WAY OUT OF THE USE OF THIS SOFTWARE, EVEN IF ADVISED OF THE POSSIBILITY OF SUCH DAMAGE.

---- Part 3: Cambridge Broadband Ltd. copyright notice (BSD) ----

Portions of this code are copyright (c) 2001-2003, Cambridge Broadband Ltd.

All rights reserved.

Redistribution and use in source and binary forms, with or without modification, are permitted provided that the following conditions are met:

- * Redistributions of source code must retain the above copyright notice, this list of conditions and the following disclaimer.
- * Redistributions in binary form must reproduce the above copyright notice, this list of conditions and the following disclaimer in the documentation and/or other materials provided with the distribution.
- * The name of Cambridge Broadband Ltd. may not be used to endorse or promote products derived from this software without specific prior written permission.

THIS SOFTWARE IS PROVIDED BY THE COPYRIGHT HOLDER ``AS IS" AND ANY EXPRESS OR IMPLIED WARRANTIES, INCLUDING, BUT NOT LIMITED TO, THE IMPLIED WARRANTIES OF MERCHANTABILITY AND FITNESS FOR A PARTICULAR PURPOSE ARE DISCLAIMED. IN NO EVENT SHALL THE COPYRIGHT HOLDER BE LIABLE FOR ANY DIRECT, INDIRECT, INCIDENTAL, SPECIAL, EXEMPLARY, OR CONSEQUENTIAL DAMAGES (INCLUDING, BUT NOT LIMITED TO, PROCUREMENT OF SUBSTITUTE GOODS OR SERVICES; LOSS OF USE, DATA, OR PROFITS; OR BUSINESS INTERRUPTION) HOWEVER CAUSED AND ON ANY THEORY OF LIABILITY, WHETHER IN CONTRACT, STRICT LIABILITY, OR TORT (INCLUDING NEGLIGENCE OR OTHERWISE) ARISING IN ANY WAY OUT OF THE USE OF THIS SOFTWARE, EVEN IF ADVISED OF THE POSSIBILITY OF SUCH DAMAGE.

---- Part 4: Sun Microsystems, Inc. copyright notice (BSD) ----

Copyright c 2003 Sun Microsystems, Inc., 4150 Network Circle, Santa Clara, California 95054, U.S.A. All rights reserved.

Use is subject to license terms below.

This distribution may include materials developed by third parties.

Sun, Sun Microsystems, the Sun logo and Solaris are trademarks or registered trademarks of Sun Microsystems, Inc. in the U.S. and other countries.

Redistribution and use in source and binary forms, with or without modification, are permitted provided that the following conditions are met:

* Redistributions of source code must retain the above copyright notice, this list of conditions and the following disclaimer.

* Redistributions in binary form must reproduce the above copyright notice, this list of conditions and the following disclaimer in the documentation and/or other materials provided with the distribution.

* Neither the name of the Sun Microsystems, Inc. nor the names of its contributors may be used to endorse or promote products derived from this software without specific prior written permission.

THIS SOFTWARE IS PROVIDED BY THE COPYRIGHT HOLDERS AND CONTRIBUTORS ``AS IS'' AND ANY EXPRESS OR IMPLIED WARRANTIES, INCLUDING, BUT NOT LIMITED TO, THE IMPLIED WARRANTIES OF MERCHANTABILITY AND FITNESS FOR A PARTICULAR PURPOSE ARE DISCLAIMED. IN NO EVENT SHALL THE COPYRIGHT HOLDERS OR CONTRIBUTORS BE LIABLE FOR ANY DIRECT, INDIRECT, INCIDENTAL, SPECIAL, EXEMPLARY, OR CONSEQUENTIAL DAMAGES (INCLUDING, BUT NOT LIMITED TO, PROCUREMENT OF SUBSTITUTE GOODS OR SERVICES; LOSS OF USE, DATA, OR PROFITS; OR BUSINESS INTERRUPTION) HOWEVER CAUSED AND ON ANY THEORY OF LIABILITY, WHETHER IN CONTRACT, STRICT LIABILITY, OR TORT (INCLUDING NEGLIGENCE OR OTHERWISE) ARISING IN ANY WAY OUT OF THE USE OF THIS SOFTWARE, EVEN IF ADVISED OF THE POSSIBILITY OF SUCH DAMAGE.

---- Part 5: Sparta, Inc copyright notice (BSD) ----

Copyright (c) 2003-2009, Sparta, Inc

All rights reserved.

Redistribution and use in source and binary forms, with or without modification, are permitted provided that the following conditions are met:

* Redistributions of source code must retain the above copyright notice, this list of conditions and the following disclaimer.

* Redistributions in binary form must reproduce the above copyright notice, this list of conditions and the following disclaimer in the documentation and/or other materials provided with the distribution.

* Neither the name of Sparta, Inc nor the names of its contributors may be used to endorse or promote products derived from this software without specific prior written permission.

THIS SOFTWARE IS PROVIDED BY THE COPYRIGHT HOLDERS AND CONTRIBUTORS ``AS IS'' AND ANY EXPRESS OR IMPLIED WARRANTIES, INCLUDING, BUT NOT LIMITED TO, THE IMPLIED WARRANTIES OF MERCHANTABILITY AND FITNESS FOR A PARTICULAR PURPOSE ARE DISCLAIMED. IN NO EVENT SHALL THE COPYRIGHT HOLDERS OR CONTRIBUTORS BE LIABLE FOR ANY DIRECT, INDIRECT, INCIDENTAL, SPECIAL, EXEMPLARY, OR CONSEQUENTIAL DAMAGES (INCLUDING, BUT NOT LIMITED TO, PROCUREMENT OF SUBSTITUTE GOODS OR SERVICES; LOSS OF USE, DATA, OR PROFITS; OR BUSINESS INTERRUPTION) HOWEVER CAUSED AND ON ANY THEORY OF LIABILITY, WHETHER IN CONTRACT, STRICT LIABILITY, OR TORT (INCLUDING NEGLIGENCE OR OTHERWISE) ARISING IN ANY WAY OUT OF THE USE OF THIS SOFTWARE, EVEN IF ADVISED OF THE POSSIBILITY OF SUCH DAMAGE.

---- Part 6: Cisco/BUPTNIC copyright notice (BSD) ----

Copyright (c) 2004, Cisco, Inc and Information Network Center of Beijing University of Posts and Telecommunications.

All rights reserved.

Redistribution and use in source and binary forms, with or without modification, are permitted provided that the following conditions are met:

- * Redistributions of source code must retain the above copyright notice, this list of conditions and the following disclaimer.
- * Redistributions in binary form must reproduce the above copyright notice, this list of conditions and the following disclaimer in the documentation and/or other materials provided with the distribution.
- * Neither the name of Cisco, Inc, Beijing University of Posts and Telecommunications, nor the names of their contributors may be used to endorse or promote products derived from this software without specific prior written permission.

THIS SOFTWARE IS PROVIDED BY THE COPYRIGHT HOLDERS AND CONTRIBUTORS ``AS IS" AND ANY EXPRESS OR IMPLIED WARRANTIES, INCLUDING, BUT NOT LIMITED TO, THE IMPLIED WARRANTIES OF MERCHANTABILITY AND FITNESS FOR A PARTICULAR PURPOSE ARE DISCLAIMED. IN NO EVENT SHALL THE COPYRIGHT HOLDERS OR CONTRIBUTORS BE LIABLE FOR ANY DIRECT, INDIRECT, INCIDENTAL, SPECIAL, EXEMPLARY, OR CONSEQUENTIAL DAMAGES (INCLUDING, BUT NOT LIMITED TO, PROCUREMENT OF SUBSTITUTE GOODS OR SERVICES; LOSS OF USE, DATA, OR PROFITS; OR BUSINESS INTERRUPTION) HOWEVER CAUSED AND ON ANY THEORY OF LIABILITY, WHETHER IN CONTRACT, STRICT LIABILITY, OR TORT (INCLUDING NEGLIGENCE OR OTHERWISE) ARISING IN ANY WAY OUT OF THE USE OF THIS SOFTWARE, EVEN IF ADVISED OF THE POSSIBILITY OF SUCH DAMAGE.

---- Part 7: Fabasoft R&D Software GmbH & Co KG copyright notice (BSD) ----

Copyright (c) Fabasoft R&D Software GmbH & Co KG, 2003 oss@fabasoft.com

Author: Bernhard Penz

Redistribution and use in source and binary forms, with or without modification, are permitted provided that the following conditions are met:

- * Redistributions of source code must retain the above copyright notice, this list of conditions and the following disclaimer.
- * Redistributions in binary form must reproduce the above copyright notice, this list of conditions and the following disclaimer in the documentation and/or other materials provided with the distribution.
- * The name of Fabasoft R&D Software GmbH & Co KG or any of its subsidiaries, brand or product names may not be used to endorse or promote products derived from this software without specific prior written permission.

THIS SOFTWARE IS PROVIDED BY THE COPYRIGHT HOLDER ``AS IS" AND ANY EXPRESS OR IMPLIED WARRANTIES, INCLUDING, BUT NOT LIMITED TO, THE IMPLIED WARRANTIES OF MERCHANTABILITY AND FITNESS FOR A PARTICULAR PURPOSE ARE DISCLAIMED. IN NO EVENT SHALL THE COPYRIGHT HOLDER BE LIABLE FOR ANY DIRECT, INDIRECT, INCIDENTAL, SPECIAL, EXEMPLARY, OR CONSEQUENTIAL DAMAGES (INCLUDING, BUT NOT LIMITED TO, PROCUREMENT OF SUBSTITUTE GOODS OR SERVICES; LOSS OF USE, DATA, OR PROFITS; OR BUSINESS INTERRUPTION) HOWEVER CAUSED AND ON ANY THEORY OF LIABILITY, WHETHER IN CONTRACT, STRICT LIABILITY, OR TORT (INCLUDING NEGLIGENCE OR OTHERWISE) ARISING IN ANY WAY OUT OF THE USE OF THIS SOFTWARE, EVEN IF ADVISED OF THE POSSIBILITY OF SUCH DAMAGE.

LEADTOOLS

Copyright (C) 1991-2009 LEAD Technologies, Inc.

CMap Resources

Copyright 1990-2009 Adobe Systems Incorporated.
All rights reserved.

Copyright 1990-2010 Adobe Systems Incorporated.
All rights reserved.

Redistribution and use in source and binary forms, with or without modification, are permitted provided that the following conditions are met:

Redistributions of source code must retain the above copyright notice, this list of conditions and the following disclaimer.

Redistributions in binary form must reproduce the above copyright notice, this list of conditions and the following disclaimer in the documentation and/or other materials provided with the distribution.

Neither the name of Adobe Systems Incorporated nor the names of its contributors may be used to endorse or promote products derived from this software without specific prior written permission.

THIS SOFTWARE IS PROVIDED BY THE COPYRIGHT HOLDERS AND CONTRIBUTORS "AS IS" AND ANY EXPRESS OR IMPLIED WARRANTIES, INCLUDING, BUT NOT LIMITED TO, THE IMPLIED WARRANTIES OF MERCHANTABILITY AND FITNESS FOR A PARTICULAR PURPOSE ARE DISCLAIMED. IN NO EVENT SHALL THE COPYRIGHT HOLDER OR CONTRIBUTORS BE LIABLE FOR ANY DIRECT, INDIRECT, INCIDENTAL, SPECIAL, EXEMPLARY, OR CONSEQUENTIAL DAMAGES (INCLUDING, BUT NOT LIMITED TO, PROCUREMENT OF SUBSTITUTE GOODS OR SERVICES; LOSS OF USE, DATA, OR PROFITS; OR BUSINESS INTERRUPTION) HOWEVER CAUSED AND ON ANY THEORY OF LIABILITY, WHETHER IN CONTRACT, STRICT LIABILITY, OR TORT (INCLUDING NEGLIGENCE OR OTHERWISE) ARISING IN ANY WAY OUT OF THE USE OF THIS SOFTWARE, EVEN IF ADVISED OF THE POSSIBILITY OF SUCH DAMAGE.

MIT License

Copyright (c) 1998, 1999, 2000 Thai Open Source Software Center Ltd

Permission is hereby granted, free of charge, to any person obtaining a copy of this software and associated documentation files (the "Software"), to deal in the Software without restriction, including without limitation the rights to use, copy, modify, merge, publish, distribute, sublicense, and/or sell copies of the Software, and to permit persons to whom the Software is furnished to do so, subject to the following conditions:

The above copyright notice and this permission notice shall be included in all copies or substantial portions of the Software.

THE SOFTWARE IS PROVIDED "AS IS", WITHOUT WARRANTY OF ANY KIND, EXPRESS OR IMPLIED, INCLUDING BUT NOT LIMITED TO THE WARRANTIES OF MERCHANTABILITY, FITNESS FOR A PARTICULAR PURPOSE AND NONINFRINGEMENT. IN NO EVENT SHALL THE AUTHORS OR COPYRIGHT HOLDERS BE LIABLE FOR ANY CLAIM, DAMAGES OR OTHER LIABILITY, WHETHER IN AN ACTION OF CONTRACT, TORT OR OTHERWISE, ARISING FROM, OUT OF OR IN CONNECTION WITH THE SOFTWARE OR THE USE OR OTHER DEALINGS IN THE SOFTWARE.


以下仅适用于支持 Wi-Fi 的产品。

(c) 2009-2013 by Jeff Mott. All rights reserved.

Redistribution and use in source and binary forms, with or without modification, are permitted provided that the following conditions are met:

- * Redistributions of source code must retain the above copyright notice, this list of conditions, and the following disclaimer.
- * Redistributions in binary form must reproduce the above copyright notice, this list of conditions, and the following disclaimer in the documentation or other materials provided with the distribution.
- * Neither the name CryptoJS nor the names of its contributors may be used to endorse or promote products derived from this software without specific prior written permission.

THIS SOFTWARE IS PROVIDED BY THE COPYRIGHT HOLDERS AND CONTRIBUTORS "AS IS," AND ANY EXPRESS OR IMPLIED WARRANTIES, INCLUDING, BUT NOT LIMITED TO, THE IMPLIED WARRANTIES OF MERCHANTABILITY AND FITNESS FOR A PARTICULAR PURPOSE, ARE DISCLAIMED. IN NO EVENT SHALL THE COPYRIGHT HOLDER OR CONTRIBUTORS BE LIABLE FOR ANY DIRECT, INDIRECT, INCIDENTAL, SPECIAL, EXEMPLARY, OR CONSEQUENTIAL DAMAGES (INCLUDING, BUT NOT LIMITED TO, PROCUREMENT OF SUBSTITUTE GOODS OR SERVICES; LOSS OF USE, DATA, OR PROFITS; OR BUSINESS INTERRUPTION) HOWEVER CAUSED AND ON ANY THEORY OF LIABILITY, WHETHER IN CONTRACT, STRICT LIABILITY, OR TORT (INCLUDING NEGLIGENCE OR OTHERWISE) ARISING IN ANY WAY OUT OF THE USE OF THIS SOFTWARE, EVEN IF ADVISED OF THE POSSIBILITY OF SUCH DAMAGE.

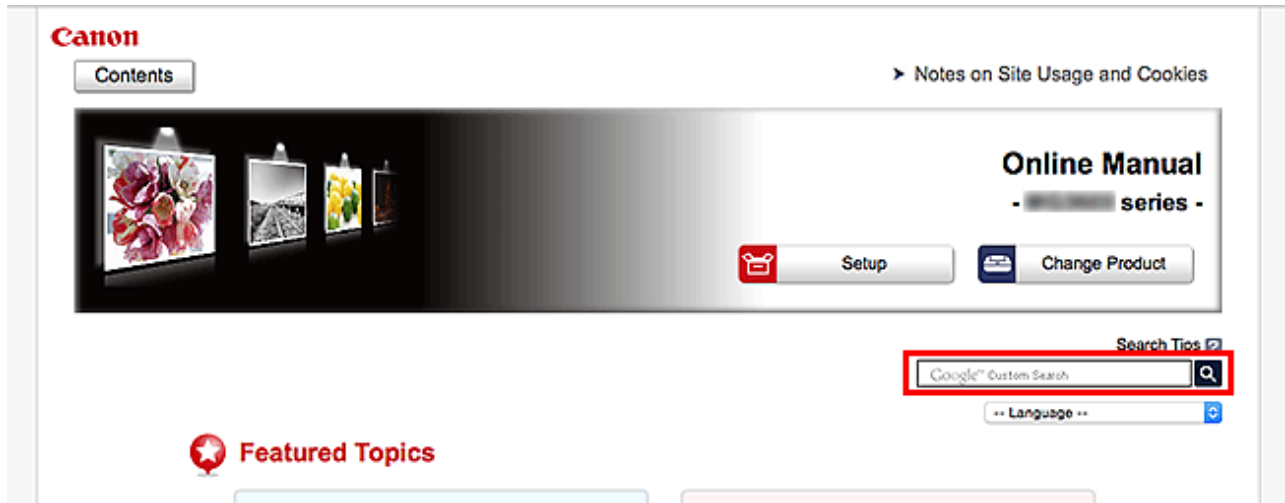
在搜索窗口输入关键字，并单击  (搜索)。

可以在本指南中搜索目标页面。

输入示例：“(产品的型号名称)装入纸张”

搜索提示

可以通过在搜索窗口输入关键字来搜索目标页。



重要事项

- 该功能在某些国家/地区可能不可用。

注释

- 显示的屏幕可能会有所不同。
- 在不输入所用产品型号名称或所用应用程序名称情况下从本页面搜索时，将在本指南支持的所有产品中进行搜索。
如果想要减少搜索结果，请将所用产品型号名称或所用应用程序名称添加至关键词。

• 搜索功能

输入您的产品型号名称和您想了解的功能的关键词

示例：想了解如何装入纸张时

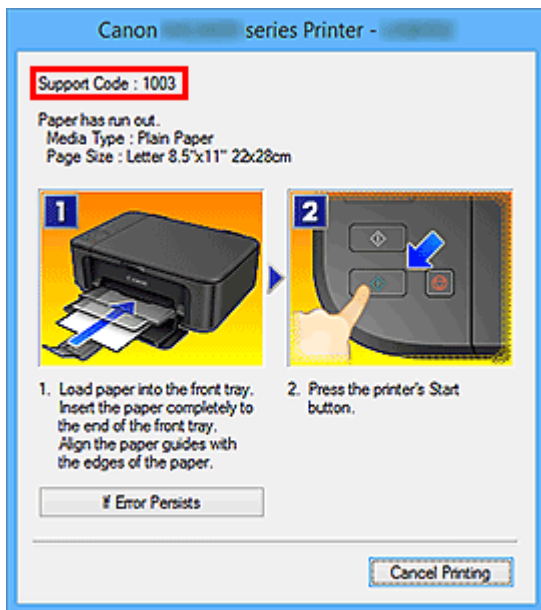
在搜索窗口输入“(产品的型号名称)装入纸张”并执行搜索

• 故障排除错误

输入您的产品的型号名称和支持代码

示例：出现以下错误屏幕时

在搜索窗口输入“(产品的型号名称)1003”并执行搜索



注释

- 根据产品，显示的屏幕会有所不同。

• 搜索应用程序功能

输入您的应用程序名称和您想了解的功能的关键词

示例：当您想了解如何使用 My Image Garden 打印拼贴画时在搜索窗口输入“My Image Garden 拼贴画”并执行搜索。

• 搜索参考页

输入型号名称和参考页面标题*

* 通过输入功能名称，还可以轻松找到参考页。

示例：当您想浏览扫描步骤页面上的以下句子涉及的页面时有关详细资料，请从在线手册的主页参阅您的型号的“色彩设置选项卡”。在搜索窗口输入“(产品的型号名称)扫描色彩设置选项卡”并执行搜索

打印机功能

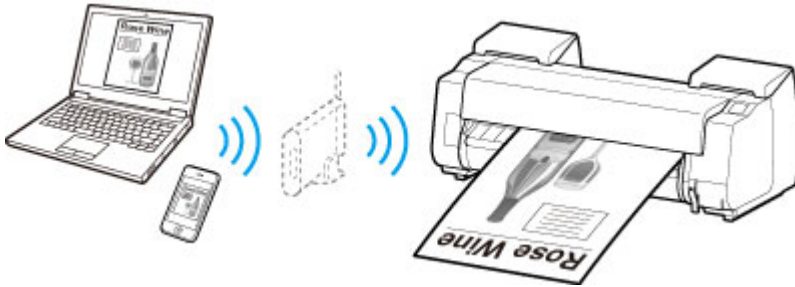
- ▶ 通过无线 LAN 将设备连接到打印机(直接连接)
- ▶ 使用 Quick Utility Toolbox 便捷管理打印机
- ▶ 可用连接方法
- ▶ 使用 Device Management Console 管理打印机状态

通过无线 LAN 将设备连接到打印机(直接连接)

打印机支持“直接连接”，在该模式中，即使没有无线路由器，也可以从设备(如智能手机或平板电脑)无线连接到打印机。

切换到“直接连接”以进行无线打印。

■ [通过无线 LAN 将智能手机/平板电脑直接连接到打印机\(直接连接\)](#)



使用 Quick Utility Toolbox 便捷管理打印机

Quick Utility Toolbox 是快捷方式菜单，只需单击一下即可访问要使用的功能。安装兼容 Quick Utility Toolbox 的实用程序后，这些程序将添加到此菜单。Quick Utility Toolbox 提供一种便捷的方式，可以快速启动添加的实用程序，以设置打印机和进行其他管理任务。

请参阅以下详细信息。

- Quick Utility Toolbox 指南 (Windows)
- Quick Utility Toolbox 指南 (Mac OS)

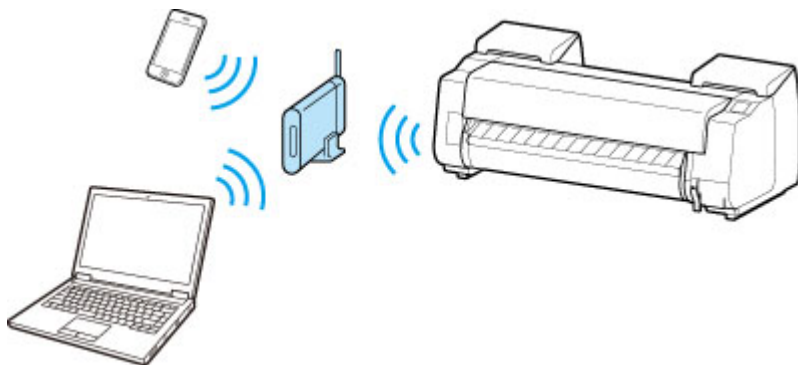


可用连接方法

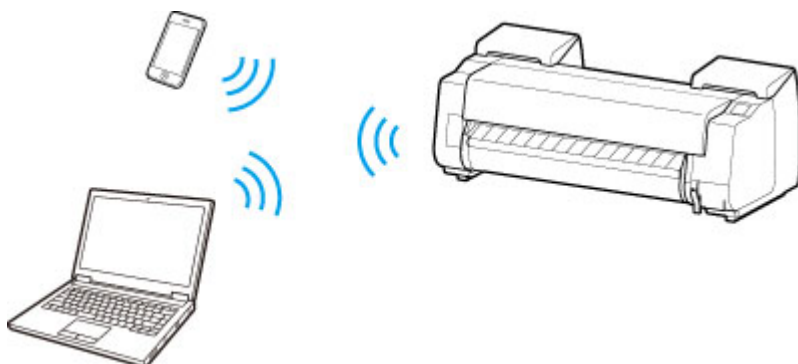
打印机可提供以下连接方法。

无线连接

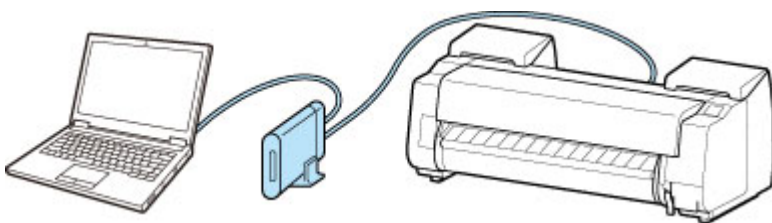
- 已有无线路由器



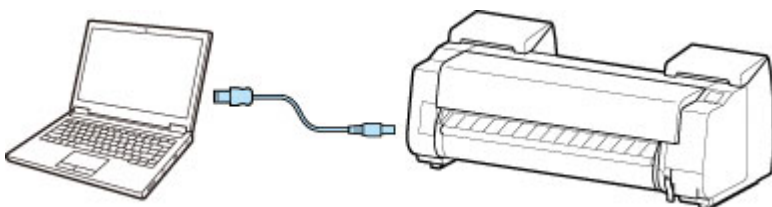
- 没有无线路由器



有线连接



USB 连接



无线连接

有两种方法可以将打印机连接到设备(如智能手机或平板电脑)。一种方法是使用无线路由器进行连接，另一种方法是不使用无线路由器进行连接。

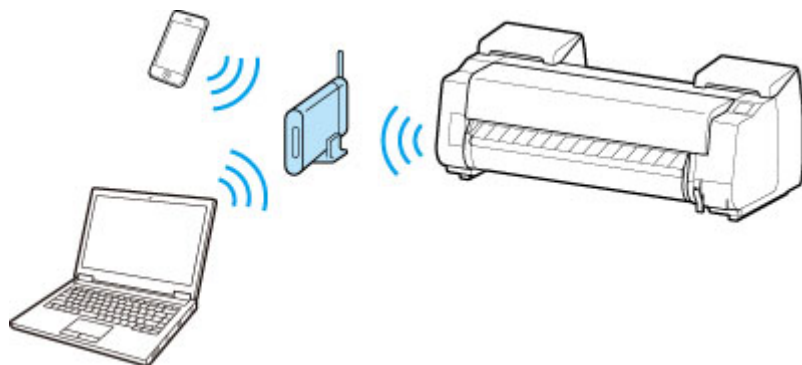
无法同时使用这两种连接方法。


如果已有无线路由器，建议采用在使用无线路由器进行连接中描述的方法。

在一个设备已连接打印机的情况下，如果再连接另一设备到打印机，请使用与已连接设备相同的连接方法进行连接。

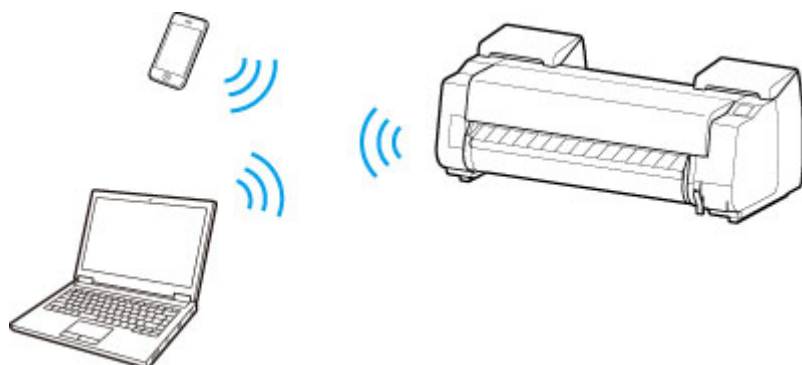
如果使用不同的连接方法进行连接，将禁用与正在使用的设备之间的连接。

• 使用无线路由器进行连接



- 使用无线路由器连接打印机和设备。
- 根据无线路由器类型的不同，连接方法会有所不同。
- 可以在打印机上更改网络设置，如 SSID 和安全协议。
- 设备和无线路由器之间的连接完成且  (Wi-Fi 图标)显示在设备屏幕上时，可以使用无线路由器将设备连接到打印机。

• 不使用无线路由器进行连接



- 不使用无线路由器连接打印机和设备。使用打印机的直接连接功能直接连接设备和打印机。
- 设备通过无线路由器连接到互联网时，如果将其连接到处于直接连接的打印机，设备和无线路由器之间的连接将被禁用。在这种情况下，根据设备的不同，设备连接可能会自动切换至移动数据连接。使用移动数据连接进行互联网连接会产生传输费用。
- 在直接连接中，最多可以同时连接五台设备。如果已连接五台设备后尝试连接另一台设备，请先断开一台不使用的设备，然后重新配置设置。
- 会自动指定 SSID 和安全协议等网络设置。

有线连接

使用以太网电缆线连接打印机和集线器或路由器。准备以太网电缆线。

USB 连接

使用 USB 电缆线连接打印机和计算机。准备 USB 电缆线。

限制

(出现在一个新窗口中)

使用 Device Management Console 管理打印机状态

Device Management Console 是查看打印机状态或校准打印机色彩的软件。

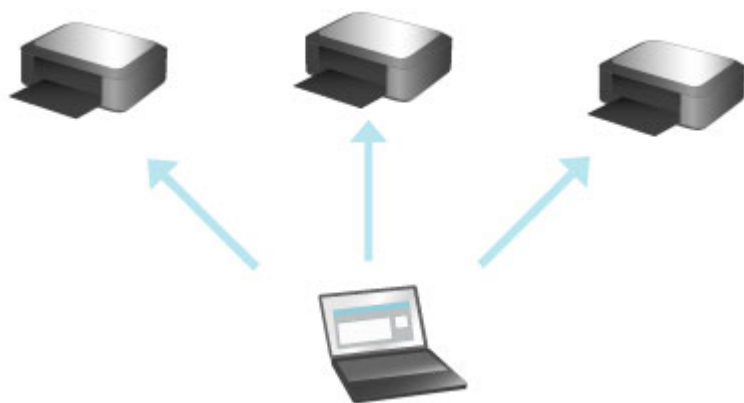
使用 Device Management Console 可以：

- 查看通过网络或 USB 连接的打印机状态。
- 如果打印机出现警告或错误，向管理员发送电子邮件。
- 识别色彩校准状态或执行色彩校准。

请参阅以下详细信息。

■ Device Management Console 指南 (Windows)

■ Device Management Console 指南 (Mac OS)



纸张的处理和使用

► 关于纸张

- 纸张类型
- 纸张大小
- 使用除原装纸张和已确认可以进给的纸张以外的其他纸张
- 使用现有设置在除原装纸张和已确认可以进给的纸张以外的其他纸张上打印
- 通过添加介质类型在除原装纸张和已确认可以进给的纸张以外的其他纸张上打印
- 纸张信息列表
- 更新为最新的纸张信息

► 卷纸的使用方法

- 将卷纸安装在卷纸支架上
- 将上行卷纸装入打印机
- 在卷纸单元(选购件)上装入下行卷纸
- 变更介质类型
- 设置纸张的长度
- 从打印机取下上行卷纸
- 从卷纸单元(选购件)取出下行卷纸
- 从卷纸支架上取下卷纸
- 清除卡住的卷纸
- 手动进给卷纸
- 管理卷纸的剩余量
- 设置卷纸的墨水干燥时间
- 设置卷纸的切断方法
- 自动切断卷纸上端
- 减少卷纸的切屑
- 卷纸支架组
- 关于卷纸的自动转换

▶ 单页纸的使用方法

- 将单页纸安装到打印机上
- 变更介质类型
- 从任意位置开始打印
- 取下单页纸
- 清除卡住的单页纸

▶ 篮子

- 篮子部件
- 使用篮子
- 篮子设置示例
- 存放篮子

▶ 卷纸单元

- 辊单元部件
- 卷纸单元
- 更改卷纸单元功能
- 在设置为收纸设备的卷纸单元上装入纸张
- 从卷纸单元上取下打印纸

▶ Media Configuration Tool 指南

关于纸张

- ➔ [纸张类型](#)
- ➔ [纸张大小](#)
- ➔ [使用除原装纸张和已确认可以进给的纸张以外的其他纸张](#)
- ➔ [使用现有设置在除原装纸张和已确认可以进给的纸张以外的其他纸张上打印](#)
- ➔ [通过添加介质类型在除原装纸张和已确认可以进给的纸张以外的其他纸张上打印](#)
- ➔ 纸张信息列表
- ➔ [更新为最新的纸张信息](#)

纸张类型

打印机支持以下介质类型。有关打印机所支持的介质类型的详细资料，请参见“纸张信息列表”。

- 普通纸
- 覆膜纸
- 照相纸
- 光面纸
- 校正纸
- CAD 专用纸等

纸张信息列表包括以下信息。

- 纸张类型
- 纸张处理
- 纸张产品规格
- 使用注意事项
- 设置打印机驱动程序、操作面板等

►► 注释

- 有关纸张信息列表中未包含的纸张使用说明，请参见“[使用除原装纸张和已确认可以进给的纸张以外的其他纸张](#)”。

• 如何更新打印机支持的纸张

Canon 网站上可能已新发布打印机支持的纸张。

要使用新发布的纸张，使用 Media Configuration Tool 在打印机上注册最新的纸张信息。(请参见“[更新为最新的纸张信息](#)”。)

►►► 重要事项

- 即使您不使用打印机驱动程序，也应安装 Media Configuration Tool 以便在打印机上注册您所在地区适用的介质类型。

(请参见“Media Configuration Tool 指南”(Windows)。)

(请参见“Media Configuration Tool 指南”(Mac OS)。)

纸张大小

卷纸

可以使用符合以下所有条件的卷纸。

- 外直径为 170 毫米(6.7 英寸)或更小
- 纸管内径为 2 英寸或者 3 英寸
- 表面(外侧)为打印面

卷纸宽度	打印机驱动程序卷纸宽度设置	无边距打印(*1)
609.6 mm(24.00 英寸)	24-in. 滚筒 (609.6mm)	推荐
594.0 mm(23.39 英寸)	ISO A1/A2 滚筒 (594.0mm)	推荐
515.0 mm(20.28 英寸)	JIS B2/B3 滚筒 (515.0mm)	推荐
431.8 mm(17.00 英寸)	17-in. 滚筒 (431.8mm)	推荐
420.0 mm(16.54 英寸)	ISO A2/A3 滚筒 (420.0mm)	可用(*2)
406.4 mm(16.00 英寸)	16-in. 滚筒 (406.4mm)	可用(*2)
355.6 mm(14.00 英寸)	14-in. 滚筒 (355.6mm)	推荐
329.0 mm(12.95 英寸)	A3+ 滚筒 (329.0mm)	可用(*2)
300.0 mm(11.81 英寸)	300mm 滚筒 (300.0mm)	可用(*2)
297.0 mm(11.69 英寸)	ISO A3/A4 滚筒 (297.0mm)	可用(*2)
257.0 mm(10.12 英寸)	JIS B4 滚筒 (257.0mm)	可用(*2)
254.0 mm(10.00 英寸)	10-in. 滚筒 (254.0mm)	推荐
203.2 mm(8.00 英寸)	8-in. 滚筒 (203.2mm)	可用(*2)

*1:有关可用于无边距打印的介质类型的详细资料，请参见“纸张信息列表”。

*2:不同于标准无边距打印，因为设置的纸张宽度略微小于文档的宽度，所以左右两侧会有较小的边距。

单页纸

可以使用以下尺寸的单页纸。

纸张大小	尺寸
ISO A1	594.0 × 841.0 mm(23.39 × 33.11 英寸)
ISO A2	420.0 × 594.0 mm(16.54 × 23.39 英寸)
ISO A2+	431.8 × 609.6 mm(17.00 × 24.00 英寸)

纸张大小	尺寸
ISO A3	297.0 × 420.0 mm(11.69 × 16.54 英寸)
ISO A3+	329.0 × 483.0 mm(12.95 × 19.02 英寸)
ISO A4	210.0 × 297.0 mm(8.27 × 11.69 英寸)
ISO B2	500.0 × 707.0 mm(19.69 × 27.83 英寸)
ISO B3	353.0 × 500.0 mm(13.90 × 19.69 英寸)
ISO B4	250.0 × 353.0 mm(9.84 × 13.90 英寸)
JIS B2	515.0 × 728.0 mm(20.28 × 28.66 英寸)
JIS B3	364.0 × 515.0 mm(14.33 × 20.28 英寸)
JIS B4	257.0 × 364.0 mm(10.12 × 14.33 英寸)
22"x34"(ANSI D)	558.8 × 863.6 mm(22.00 × 34.00 英寸)
17"x22"(ANSI C)	431.8 × 558.8 mm(17.00 × 22.00 英寸)
11"x17"(Ledger)	279.4 × 431.8 mm(11.00 × 17.00 英寸)
13"x19"(Super B)	330.2 × 482.6 mm(13.00 × 19.00 英寸)
Letter(8.5"x11")	215.9 × 279.4 mm(8.50 × 11.00 英寸)
Legal(8.5"x14")	215.9 × 355.6 mm(8.50 × 14.00 英寸)
24"x36"(ARCH D)	609.6 × 914.4 mm(24.00 × 36.00 英寸)
18"x24"(ARCH C)	457.2 × 609.6 mm(18.00 × 24.00 英寸)
12"x18"(ARCH B)	304.8 × 457.2 mm(12.00 × 18.00 英寸)
9"x12"(ARCH A)	228.6 × 304.8 mm(9.00 × 12.00 英寸)
DIN C2	458.0 × 648.0 mm(18.03 × 25.51 英寸)
DIN C3	324.0 × 458.0 mm(12.76 × 18.03 英寸)
DIN C4	229.0 × 324.0 mm(9.02 × 12.76 英寸)
20"x24"	508.0 × 609.6 mm(20.00 × 24.00 英寸)
18"x22"	457.2 × 558.8 mm(18.00 × 22.00 英寸)
14"x17"	355.6 × 431.8 mm(14.00 × 17.00 英寸)
12"x16"	304.8 × 406.4 mm(12.00 × 16.00 英寸)
10"x12"	254.0 × 304.8 mm(10.00 × 12.00 英寸)
10"x15"	254.0 × 381.0 mm(10.00 × 15.00 英寸)

纸张大小	尺寸
8"x10"	203.2 × 254.0 mm(8.00 × 10.00 英寸)
美国照片纸 16"x20"	406.4 × 508.0 mm(16.00 × 20.00 英寸)
海报 20"x30"	508.0 × 762.0 mm(20.00 × 30.00 英寸)
13"x22"	329.0 × 558.0 mm(12.95 × 21.97 英寸)
海报 300x900mm	300.0 × 900.0 mm(11.81 × 35.43 英寸)
自定义纸张	203.2×203.2 毫米(8.00×8.00 英寸)到 610.0×1800.0 毫米(24.02×70.87 英寸)

►► 注释

- 有关非标准尺寸的详细资料，请参见“[设置纸张尺寸\(用户定义尺寸\)](#)”(Windows)或“设置纸张尺寸(用户定义尺寸)”(Mac OS)。
- 并且，不能使用单页纸进行无边界打印。

使用除原装纸张和已确认可以进给的纸张以外的其他纸张

使用本打印机打印除 Canon 原装纸张和已确认可以进给的纸张以外的其他纸张时，请使用符合以下条件的纸张。

▶▶▶ 注释

- 有关 Canon 原装纸张和已确认可以送入的纸张，请参见“纸张信息列表”。

- 尺寸在“纸张大小” (请参见“[纸张大小](#)”。) 中列出的纸张
- 厚度在“规格” (请参见“[规格](#)”。) 的“纸张厚度”中列出的纸张
- 打印时不会出现墨水渗色或溢出的纸张
- 安装或打印时不会出现严重卷曲的纸张

▶▶▶ 重要事项

- 如果使用除 Canon 原装纸张和已确认可以送入的纸张以外的其他纸张，Canon 对打印质量或纸张送入性能不提供任何保证。有关 Canon 原装纸张和已确认可以送入的纸张，请参见“纸张信息列表”。

将纸张安装到打印机之后，在操作面板和打印机驱动程序中选择介质类型，然后执行打印。对于介质类型，可以从现有设置中轻松选择，也可以为所用纸张创建和使用设置。

使用现有设置打印

通过选择打印机操作面板和打印机驱动程序中提供的现有设置，可以轻松进行打印。(请参见“[使用现有设置在除原装纸张和已确认可以进给的纸张以外的其他纸张上打印](#)”。)

使用附加设置打印

可以使用 Media Configuration Tool 功能添加用户定义纸张，以创建适合除 Canon 原装纸张和已确认可以送入的纸张以外的其他纸张的设置，并作为新的介质类型将其添加到打印机操作面板和打印机驱动程序以供打印。(请参见“[通过添加介质类型在除原装纸张和已确认可以进给的纸张以外的其他纸张上打印](#)”。)

使用现有设置在除原装纸张和已确认可以进给的纸张以外的其他纸张上打印

根据所用介质类型在打印机操作面板和打印机驱动程序中选择现有设置，无需进行复杂的设置即可在除 Canon 原装纸张和已确认可以送入的纸张以外的其他纸张上轻松进行打印。现有设置包括为不同介质类型提供的通用纸张设置。

重要事项

- 打印机操作面板和打印机驱动程序中提供的 Canon 原装纸张设置是针对 Canon 原装纸张进行优化的。如果选择这些设置在 Canon 原装纸张以外的其他纸张上打印，墨水可能渗色或打印头可能摩擦纸张。为了能够在除 Canon 原装纸张和已确认可以送入的纸张以外的其他纸张上轻松打印，建议从以下通用纸张设置中选择一种。

注释

- 关于介质类型的概述，请参见“[纸张类型](#)”。
- 有关使用操作面板选择介质类型的说明，请参见“[纸张类型](#)”。有关使用打印机驱动程序选择介质类型的说明，请参见“[如何打开打印机驱动程序设置窗口](#)”(Windows)或“[如何打开打印机驱动程序设置窗口](#)”(Mac OS)。

选择通用纸张设置

这些设置兼顾了除 Canon 原装纸张和已确认可以送入的纸张以外的多种纸张，因此选择这些设置不容易发生墨水渗色和打印头摩擦。有关其他纸张(除 Canon 原装纸张和已确认可以送入的纸张以外)的使用条件与要选择的介质类型之间的关系的详细资料，请参见“[纸张信息列表](#)”。

注释

- 如果不能通过选择通用纸张设置获得满意的效果，可以使用 Media Configuration Tool 中添加用户定义纸张的功能创建适合于所用纸张的设置。有关详细资料，请参见“[通过添加介质类型在除原装纸张和已确认可以进给的纸张以外的其他纸张上打印](#)”。

通过添加介质类型在除原装纸张和已确认可以进给的纸张以外的其他纸张上打印

借助 Media Configuration Tool，在除 Canon 原装纸张和已确认可以送入的纸张以外的其他纸张上打印时，通过添加用户定义纸张所获取的打印质量要高于使用通用设置所获取的打印质量，并且纸张送入性能也可以得到提升。通过该功能可以根据所用纸张的特性配置墨水使用量和打印头高度等设置，因此可获得更好的打印质量。此外，可以将此功能创建的设置作为新的介质类型添加到打印机操作面板和打印机驱动程序。

关于 Media Configuration Tool 的详细信息，请参阅下文。

- Media Configuration Tool 指南(Windows)
- Media Configuration Tool 指南(Mac OS)

▶▶▶重要事项

- 关于如何在操作面板中选择已添加的介质类型的详细信息，请参见“[变更介质类型](#)”。
- 在打印机驱动程序中，可以从**主要**选项卡(Windows)或**质量与介质类型**(Mac OS)的**介质类型**中选择打印时要使用的介质类型。有关详细资料，请参见“[主要选项卡的说明](#)”(Windows)或“**质量与介质类型**”(Mac OS)。
- 建议使用从市面上出售的配置文件生成软件创建的 ICC 配置文件，以便在除 Canon 原装纸张和已确认可以送入的纸张以外的其他纸张上准确执行色彩管理。使用 Media Configuration Tool 创建用户定义纸张时可以注册所创建的 ICC 配置文件。

(请参见“添加用户定义纸张”(Windows)。)

(请参见“添加用户定义纸张”(Mac OS)。)

更新为最新的纸张信息

通过应用最新版本的**介质信息文件**，可以将打印机的介质信息更新为最新信息。

有关应用**介质信息文件** (Media Information File) 步骤的详细信息，请参阅以下内容。

- Media Configuration Tool 指南 (Windows)
- Media Configuration Tool 指南 (Mac OS)

▶▶▶重要事项

- 如果正在使用 Media Configuration Tool，将会自动下载 Canon 网站上新发布的**介质信息文件**。需要将计算机连接到互联网以下载**介质信息文件**。

卷纸的使用方法

- ➔ [在卷纸支架上装入卷纸](#)
- ➔ [将上行卷纸装入打印机](#)
- ➔ [在卷纸单元上装入下行卷纸\(选装件\)](#)
- ➔ [变更介质类型](#)
- ➔ [设置纸张的长度](#)
- ➔ [从打印机取下上行卷纸](#)
- ➔ [从卷纸单元取出下行卷纸\(选装件\)](#)
- ➔ [从卷纸支架上取下卷纸](#)
- ➔ [手动进给卷纸](#)
- ➔ [管理卷纸的剩余量](#)
- ➔ [设置卷纸的墨水干燥时间](#)
- ➔ [设置卷纸的切断方法](#)
- ➔ [自动切断卷纸上端](#)
- ➔ [减少卷纸的切屑](#)
- ➔ [卷纸支架组](#)
- ➔ [自动切换卷纸](#)

在卷纸支架上装入卷纸

在卷纸上打印时，将卷纸安装在卷纸支架上。

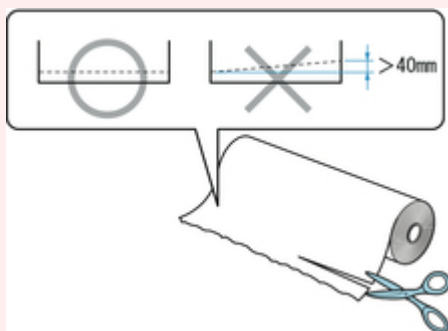
卷纸有两种类型：2 英寸和 3 英寸纸管。如果使用 3 英寸纸管的卷纸，请将 3 英寸纸管配件安装到卷纸支架和支架止动器。

注意

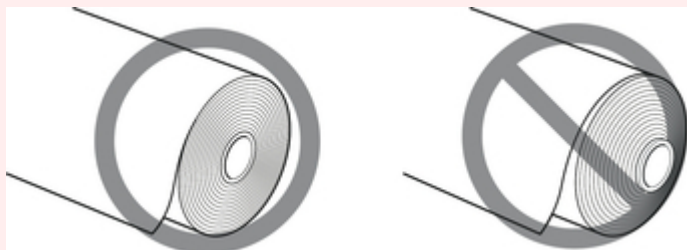
- 为防止滚落，请将卷纸横放在桌子等平面处进行安装。掉落卷纸的话，会引起受伤。

重要事项

- 使用卷纸时，请注意不要弄脏打印面。否则会出现打印质量下降的情况。为了保护打印面，建议戴着干净的线手套操作使用卷纸。
- 如果卷纸的前端不齐、脏污或有胶带痕迹，请事先将其切齐。否则可能造成供纸不良或打印质量下降。对于印有条形码的卷纸，请注意不要切掉条形码部分。



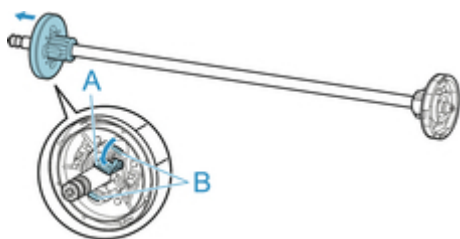
- 请将卷纸的边缘卷齐。。会成为供纸不良的原因。



注释

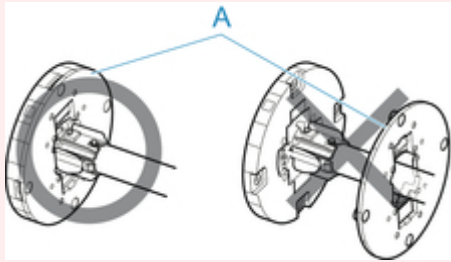
- 有关可使用的卷纸大小和类型的详细资料，请参见“[纸张大小](#)”或“[纸张信息列表](#)”。

1. 向轴侧推动支架止动器杆(A)解除锁定，握住位置(B)将支架止动器从卷纸支架上拆下。

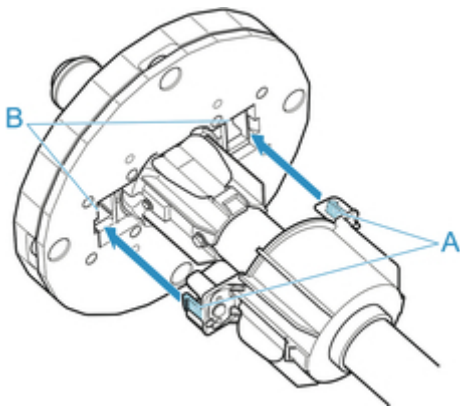


重要事项

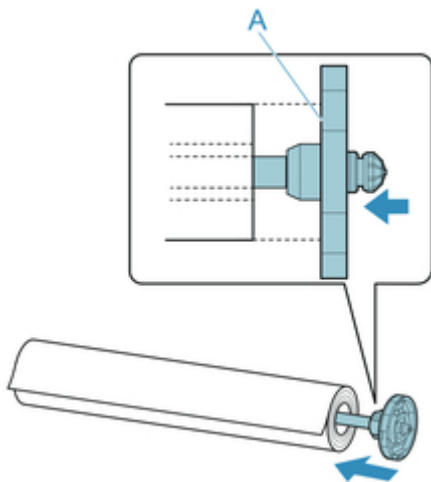
- 如果凸缘上没有隔板(A)，请勿使用卷纸支架进纸。否则会导致纸张送入歪斜。



2. 如果使用 3 英寸纸管的纸张，请将 3 英寸纸管配件卡扣(A)对准卷纸支架的孔(B)，并将其完全插入。



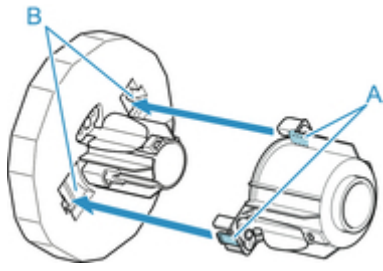
3. 如图所示，将卷纸的前端朝向前侧，从卷纸的右侧插入卷纸支架。完全插入直到卷纸顶上卷纸支架的凸缘(A)。



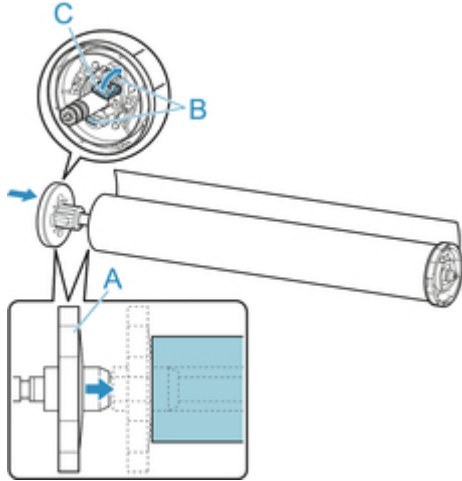
重要事项

- 安装卷纸时，请不要施加大力的冲击。会成为卷纸支架破损的原因。

4. 如果使用 3 英寸纸管的卷纸，请将 3 英寸纸管配件安装到支架止动器。
将配件的卡子(A)对准支架止动器的孔(B)，并将其完全插入。



5. 如图所示，将支架止动器从左侧插入卷纸支架，然后在握住位置(B)的同时适当用力推支架止动器，直到其凸缘(A)触及卷纸。从轴上抬起支架止动器杆(C)以锁定。



将上行卷纸装入打印机

用以下步骤在打印机上安装卷纸。

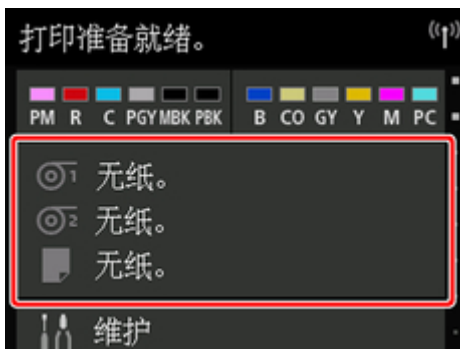
重要事项

- 请务必在打印机电源打开时安装卷纸。如果安装卷纸时打印机电源关闭，打开打印机时可能会造成进给纸张错误。
- 安装卷纸前，确认上盖或出纸导片内侧是否脏污。如果脏污，建议事先进行清洁。(请参见“[清洁上盖内侧](#)”。)。

注释


- 使用选购的卷纸单元时，也可以将卷纸装入与此处说明的打印机分离的卷纸单元。(请参见“[在卷纸单元上装入下行卷纸\(选装件\)](#)”。)。

1. 在触摸屏的主页屏幕上点击纸张设置显示区域。



注释

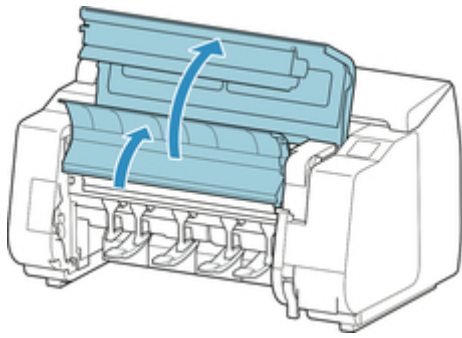
- 如果主页屏幕未显示，则点击**主页**按钮。

2. 点击区域。
3. 点击**请装入纸张。或更换纸张**，检查显示的信息，然后点击**是**。

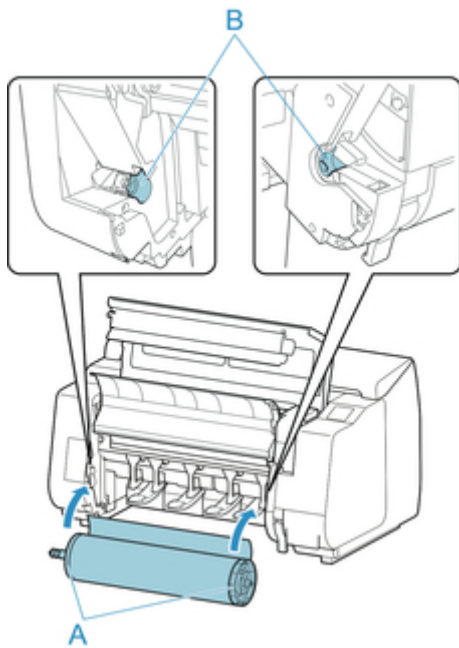
注释

- 如果送入了任何切纸或从卷纸 1(上行)送入了不会使用的卷纸，将出现一条消息，要求您取出纸张。
按照屏幕上的说明取出纸张后，请重新操作。
- 如果在卷纸 1(上行)装入了卷纸，但未选择卷纸 1(上行)作为纸张来源，将出现一条消息，询问您是否更改纸张。
点击**更换纸张**，取出纸张，然后转到下一步骤。

4. 打开上盖并抬起出纸导片。



5. 抓住凸缘(A)，从而使卷纸支架的白色齿轮位于左侧位置，将卷纸支架轴与卷纸支架槽左右两侧的导向槽(B)对齐，然后装入卷纸。



⚠ 注意

- 安装时请注意不要掉落卷纸而受伤。
- 装入卷纸时请注意防止手指被夹在卷纸支架轴和导向槽(B)之间。

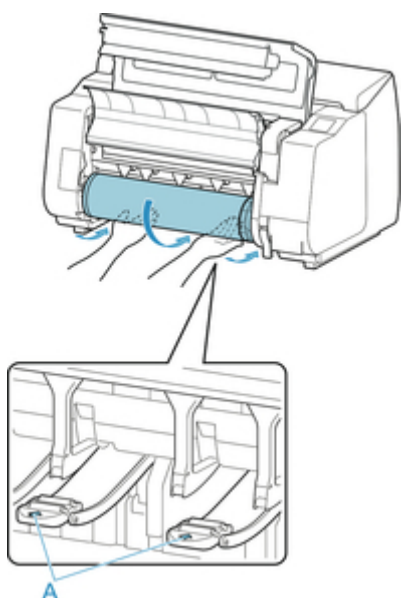
▶▶▶ 重要事项

- 如果为防止卷纸散开而使用胶带或纸带将其前端固定，请先取下胶带或纸带，然后再将卷纸装入卷纸支架槽。
- 如果在前端固定的情况下将卷纸装入卷纸支架槽，只有部分卷纸会被送入供纸槽，从而导致卷纸损坏。

▶▶▶ 注释

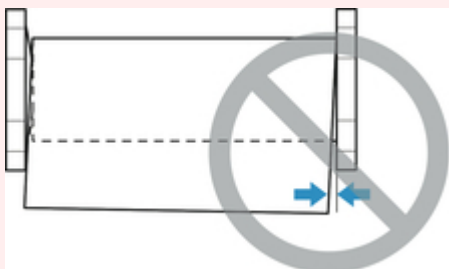
- 有关将卷纸装到卷纸支架的步骤，请参见“[在卷纸支架上装入卷纸](#)”。

6. 左右均等地拉出卷纸，将前端插入卷纸与其正下方的箭头(A)之间，送入卷纸直至听到声音。



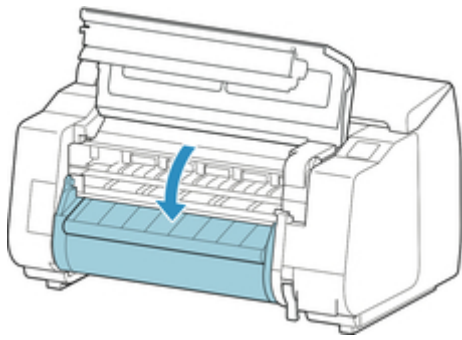
重要事项

- 如果卷纸变松弛，请先处理松弛状况，然后再装入卷纸。
- 送入卷纸前端时，确保卷纸整齐一致地放卷和送纸。如果送入卷纸时，部分卷纸仍黏在纸卷上，卷纸将受损坏。
- 进给卷纸时，请注意不要弄脏打印面。否则会出现打印质量下降的情况。为了保护打印面，建议戴着干净的线手套操作使用卷纸。
- 纸张有皱褶、卷边时，请抚平皱褶、卷边后再装入。
- 请在装入时避免纸张右端和卷纸支架之间出现空隙。

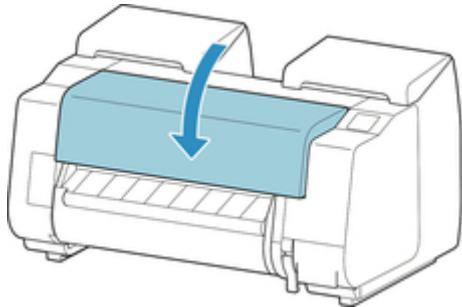


- 根据纸张的不同，送入纸张时卷纸可能会被刮擦或不能完全送入卷纸。在这种情况下，将触摸屏上的**纸张保留设置**设置为**解除保留**后，您必须手动进纸。抬起释放杆，送入卷纸直至其前端出现在压纸滚筒上，放下释放杆，然后继续执行下一步。但是，如果将**纸张保留设置**设置为**解除保留**，则无法自动切换上行和下行卷纸。

7. 放下出纸导片。



8. 关闭上盖。



9. 点击**开始进纸**。

进给纸张。

10. 开始供纸后，根据**管理剩余卷纸量**设置和打印在卷纸上的条形码，需要进行以下操作。(请参见“[管理卷纸的剩余量](#)”。)

管理剩余卷纸量	条形码	供纸后的动作
禁用	打印了	触摸屏上会显示用于选择介质类型的菜单。
	没有打印	操作触摸屏并选择要使用的介质类型。
启用	打印了	根据打印在卷纸上的条形码自动地检测介质类型和剩余量。 不需选择介质类型、长度。
	没有打印	触摸屏上会显示用于选择介质类型和长度的菜单。 操作触摸屏并选择要使用的介质类型，然后输入介质长度。

重要事项

- 如果边缘褶皱或脏污，请使用**裁切纸张**功能裁切卷纸边缘。(请参见“[设置卷纸的切断方法](#)”。)
- 在触摸屏上选择介质类型时，请确保在打印机驱动程序中设置的介质类型与打印机中装入的介质类型相符。

注释

- 有关可选择的介质类型的详细资料，请参见“[纸张信息列表](#)”。

- 使用打印用类型的纸张调整打印头位置可能会提高打印质量。(请参见“[自动调整纵向线条的歪斜或彩色边纹](#)”。)
-

在卷纸单元上装入下行卷纸(选装件)

按照以下步骤在卷纸单元(卷纸 2(下行))中装入卷纸。

重要事项


- 请务必在打印机电源打开时安装卷纸。如果安装卷纸时打印机电源关闭，打开打印机时可能会造成进给纸张错误。
- 安装卷纸前，确认上盖或出纸导片内侧是否脏污。如果脏污，建议事先进行清洁。(请参见“[清洁上盖内侧](#)”。)。
- 如果将卷纸单元用作进纸设备，而装入纸张时的设置为“无边距打印”或“首先剪裁边缘”时，根据篮子位置，所输出卷纸的剪切末端可能会进入卷纸单元并造成卡纸或影响打印质量。在这种情况下，请更改篮子位置，然后打印。(请参见“[篮子设置示例](#)”。)

1. 在触摸屏的主页屏幕上点击纸张设置显示区域。



注释

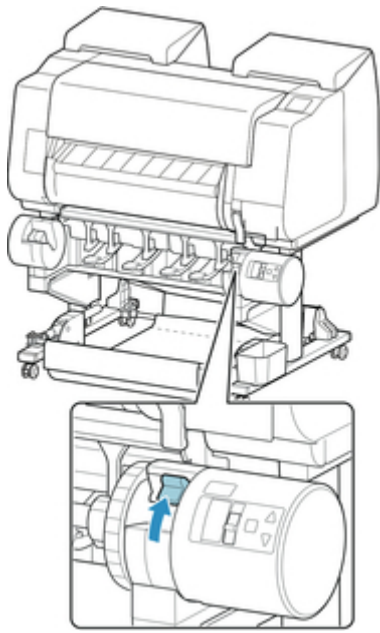
- 如果主页屏幕未显示，则点击**主页**按钮。

2. 点击区域。
3. 点击**请装入纸张。或更换纸张**，检查显示的信息，然后点击**是**。

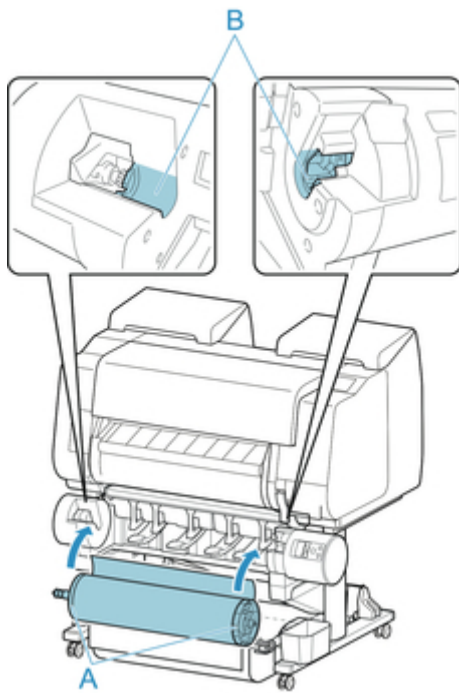
注释

- 如果送入了任何切纸或从卷纸 1(上行)送入了不会使用的卷纸，将出现一条消息，要求您取出纸张。
按照屏幕上的说明取出纸张后，请重新操作。
- 如果在卷纸 1(上行)装入了卷纸，但未选择卷纸 1(上行)作为纸张来源，将出现一条消息，询问您是否更改纸张。
点击**更换纸张**，取出纸张，然后转到下一步骤。

4. 将卷纸单元上的**卷纸支架锁定开关**拨到解锁位置。



5. 抓住凸缘(A)，从而使卷纸支架的白色齿轮位于左侧位置，将卷纸支架轴与卷纸支架槽左右两侧的导向槽(B)对齐，然后装入卷纸。



⚠ 注意

- 安装时请注意不要掉落卷纸而受伤。
- 装入卷纸时请注意防止手指被夹在卷纸支架轴和导向槽(B)之间。

▶▶▶ 重要事项

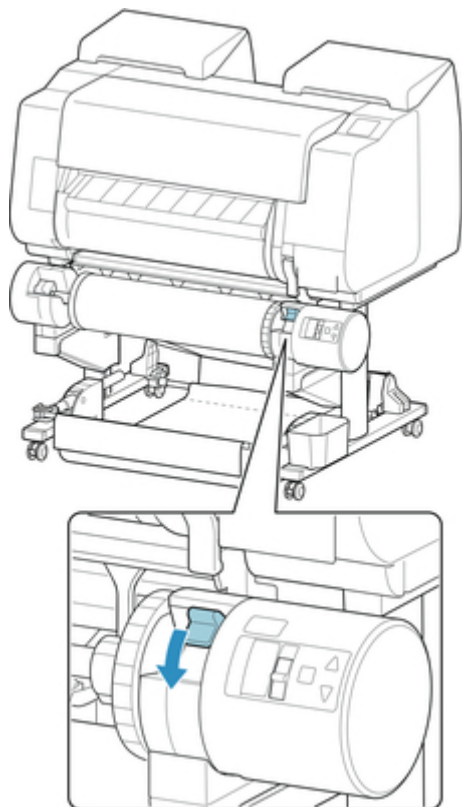
- 如果为防止卷纸散开而使用胶带或纸带将其前端固定，请先取下胶带或纸带，然后再将卷纸装入卷纸支架槽。

如果在前端固定的情况下将卷纸装入卷纸支架槽，只有部分卷纸会被送入供纸槽，从而导致卷纸损坏。

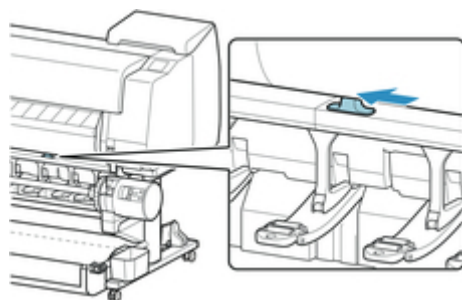
注 释

- 有关将卷纸装到卷纸支架的步骤，请参见“[在卷纸支架上装入卷纸](#)”。

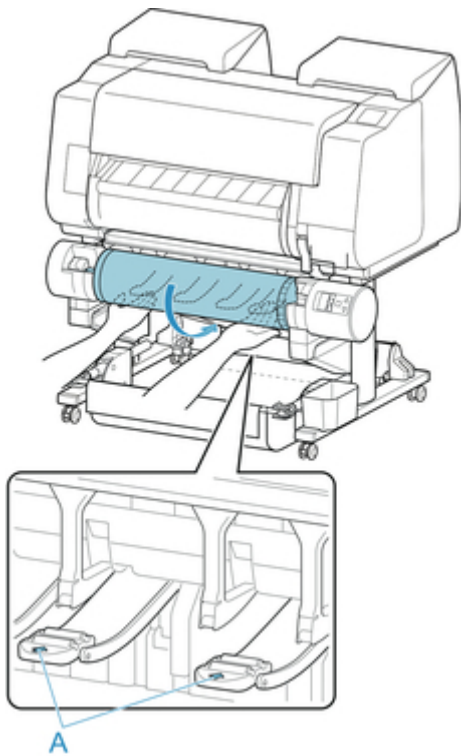
6. 将卷纸单元上的卷纸支架锁定开关拨到锁定位置。



7. 将卷纸单元顶部的进纸辅助杆开关拨到左侧的进纸图标位置。

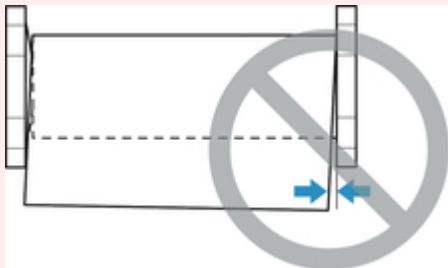


8. 左右均等地拉出卷纸，将前端插入卷纸与其正下方的箭头(A)之间，送入卷纸直至听到声音。



重要事项

- 如果卷纸变松弛，请先处理松弛状况，然后再装入卷纸。
- 送入卷纸前端时，确保卷纸整齐一致地放卷和送纸。如果送入卷纸时，部分卷纸仍黏在纸卷上，卷纸将受损坏。
- 进给卷纸时，请注意不要弄脏打印面。否则会出现打印质量下降的情况。为了保护打印面，建议戴着干净的线手套操作使用卷纸。
- 纸张有皱褶、卷边时，请抚平皱褶、卷边后再装入。
- 请在装入时避免纸张右端和卷纸支架之间出现空隙。



- 根据纸张的不同，送入纸张时卷纸可能会被刮擦或不能完全送入卷纸。在这种情况下，将触摸屏上的**纸张保留设置**设置为**解除保留**后，您必须手动进纸。抬起释放杆，送入卷纸直至其前端出现在压纸滚筒上，放下释放杆，然后继续执行下一步。但是，如果将**纸张保留设置**设置为**解除保留**，则无法自动切换上行和下行卷纸。

9. 点击**开始进纸**。

进给纸张。

10. 开始供纸后，根据**管理剩余卷纸量**设置和打印在卷纸上的条形码，需要进行以下操作。(请参见“[管理卷纸的剩余量](#)”。)

管理剩余卷纸量	条形码	供纸后的动作
禁用	打印了	触摸屏上会显示用于选择介质类型的菜单。
	没有打印	点击装入的介质类型。
启用	打印了	根据打印在卷纸上的条形码自动地检测介质类型和剩余量。 不需选择介质类型、长度。
	没有打印	触摸屏上会显示用于选择介质类型和长度的菜单。 点击装入的介质类型后，在触摸屏上输入所装入纸张的长度。

重要事项

- 如果边缘褶皱或脏污，请使用**裁切纸张**功能裁切卷纸边缘。(请参见“[设置卷纸的切断方法](#)”。)
- 在触摸屏上选择介质类型时，请确保在打印机驱动程序中设置的介质类型与打印机中装入的介质类型相符。

注释

- 有关可选择的介质类型的详细资料，请参见“[纸张信息列表](#)”。
- 使用打印用类型的纸张调整打印头位置可能会提高打印质量。(请参见“[自动调整纵向线条的歪斜或彩色边纹](#)”。)

变更介质类型

在安装了纸张后变更打印机上设置的介质类型时，请用以下步骤进行变更。

如果继续使用相同类型的纸张，并将**保留介质类型**设置为**启用**，则装入纸张时，将自动选择设置**启用**前选择的介质类型，无需再设置介质类型。(请参见“[在继续使用相同纸张的情况下](#)”。)

重要事项

- 为了达到最佳的打印结果，打印机会微调打印头高度和每种类型纸张的供纸量。打印前请正确选择所要使用的介质类型。
- 由于针对各种介质类型微调了纸张的进给量，所以根据介质类型会有图像的尺寸和边缘发生变化的情况。图像的尺寸和边缘的打印效果不理想时，请调整纸张的进给量。
(请参见“[调整进纸量](#)”。)
- 卷纸和单页纸的打印区域不同，单页纸的下页边距比卷纸大。
(请参见“[打印范围](#)”。)

变更介质类型

注释

- 装入卷纸时，触摸屏上会显示用于选择介质类型的菜单。点击介质类型。
如果卷纸上没有打印条形码且将**管理剩余卷纸量**设置为**启用**，则在选择介质类型后指定卷纸长度。(请参见“[设置纸张的长度](#)”。)

1. 在触摸屏的主页屏幕上点击纸张设置显示区域。



注释

- 如果主页屏幕未显示，则点击**主页**按钮。

2. 点击装有要更换类型的纸张的供纸槽。
3. 点击**纸张设置**。

4. 点击**类型**。
5. 点击打印机中装入的卷纸的介质类型。

重要事项

- 请务必选择正确的介质类型。如果该设置与安装的介质不符，可能会导致进给错误和影响打印质量。

注释

- 有关介质类型的详细资料，请参见“纸张信息列表”。在出厂默认设置下，介质类型选择为普通纸。
- 操作释放杆后，设置会自动返回最后选择的介质类型。

在继续使用相同纸张的情况下

设置成今后安装纸张时自动地选择现在设置的介质类型。

1. 在触摸屏的主页屏幕上点击**设备设置**。



注释

- 如果主页屏幕未显示，则点击**主页**按钮。

2. 点击**纸张相关设置**。
3. 点击**保留介质类型**。
4. 点击**启用**。

注释

- 在以下情况下，设置的介质类型被更新。
 - 使用单页纸时，在安装纸张前发送打印作业的话，则更新为打印作业所设置的介质类型。

- 如果在卷纸上打印了条形码，并在操作面板菜单上将**管理剩余卷纸量**设置为**启用**，则介质类型设置更新为条形码所指定的介质类型。
- 想变更介质类型时，请参见“[变更介质类型](#)”。

设置纸张的长度

在进给纸张后变更纸张的长度时，请用以下步骤设置纸张的长度。

注釋

- 将**管理剩余卷纸量**设置为启用时指定卷纸的长度。(请参见“[管理卷纸的剩余量](#)”。)

1. 在触摸屏的主页屏幕上点击纸张设置显示区域。



注釋

- 如果主页屏幕未显示，则点击**主页按钮**。

2. 点击装有要更换长度的纸张的供纸槽。
3. 点击**纸张设置**。
4. 点击**长度**。
5. 输入卷纸长度。

用以下步骤设置纸张的长度。

1. 点击灰色的数值输入区域。
2. 点击触摸屏上显示的键盘，输入卷纸长度，然后点击 **OK**。
3. 确认输入的长度，然后点击 **OK**。

从打印机取下上行卷纸

用以下步骤从打印机上取下卷纸。

注 释

- 如果需要裁切已打印的卷纸，请在打印机菜单中选择**进纸/裁切**，然后在所需位置裁切卷纸。(请参见“[设置卷纸的切断方法](#)”。)

1. 在触摸屏的主页屏幕上点击纸张设置显示区域。



注 释

- 如果主页屏幕未显示，则点击**主页**按钮。

2. 点击  区域。

3. 点击**取出纸张**。

4. 点击**是**。

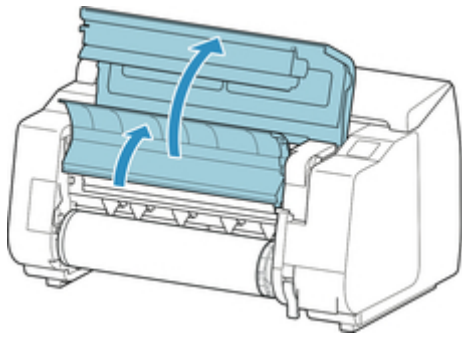
卷纸被重新卷起。

重 要 事 项

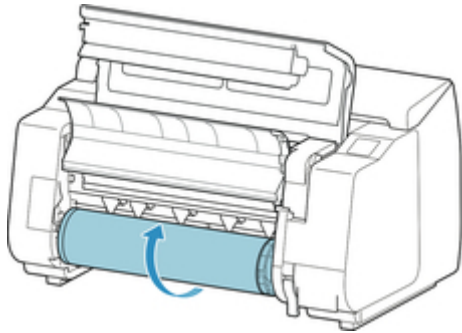
- 如果在操作面板菜单中将**管理剩余卷纸量**设置为**启用**，会在卷纸的前端打印条形码。请不要在打印出条形码之前取下卷纸。否则将不能管理卷纸的剩余量。(请参见“[管理卷纸的剩余量](#)”。)



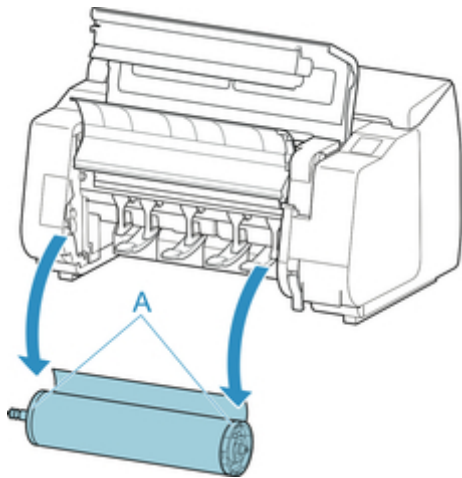
5. 打开上盖并抬起出纸导片。



6. 用双手向箭头方向转动卷纸支架，卷取卷纸。



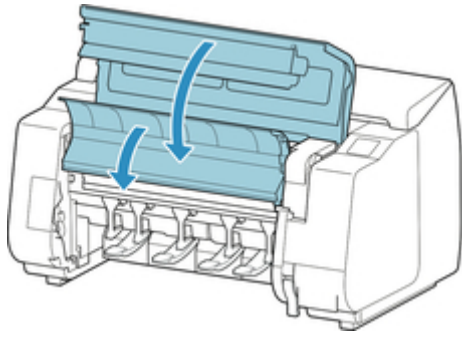
7. 握住卷纸支架的凸缘(A)，然后将其从卷纸支架槽中取出。



►► 注释

- 从卷纸取下卷纸支架的步骤，请参见“[从卷纸支架上取下卷纸](#)”。

8. 放下出纸导片并关闭上盖。



注釋

- 在打印机上安装新纸张时，继续请参见“[将上行卷纸装入打印机](#)”。
- 在装入纸张之前，清洁上盖内部。
(请参见“[清洁上盖内侧](#)”。)

从卷纸单元取出下行卷纸(选装件)

按照以下步骤从卷纸单元取出卷纸。

注 释

- 如果需要裁切已打印的卷纸，请在打印机菜单中选择**进纸/裁切**，然后在所需位置裁切卷纸。(请参见“[设置卷纸的切断方法](#)”。)

1. 在触摸屏的主页屏幕上点击纸张设置显示区域。



注 释

- 如果主页屏幕未显示，则点击**主页**按钮。

2. 点击  区域。

3. 点击**取出纸张**。

4. 查看触摸屏信息并点击**是**。

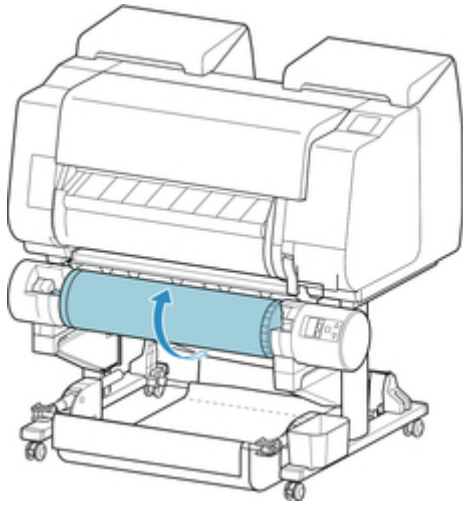
卷纸被重新卷起。

重要事项

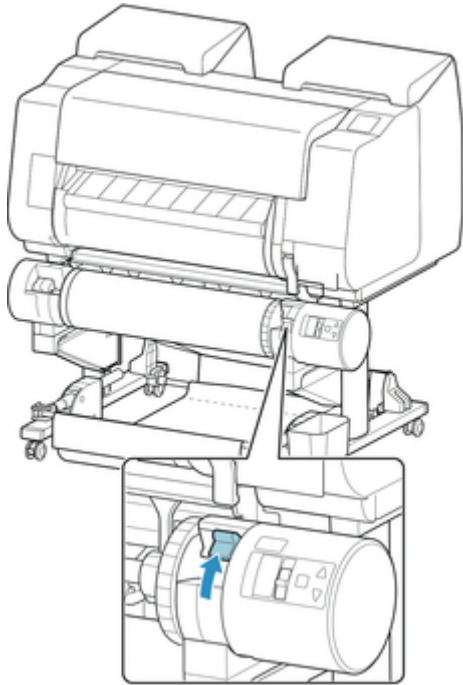
- 如果在操作面板菜单中将**管理剩余卷纸量**设置为**启用**，会在卷纸的前端打印条形码。请不要在打印出条形码之前取下卷纸。否则将不能管理卷纸的剩余量。(请参见“[管理卷纸的剩余量](#)”。)



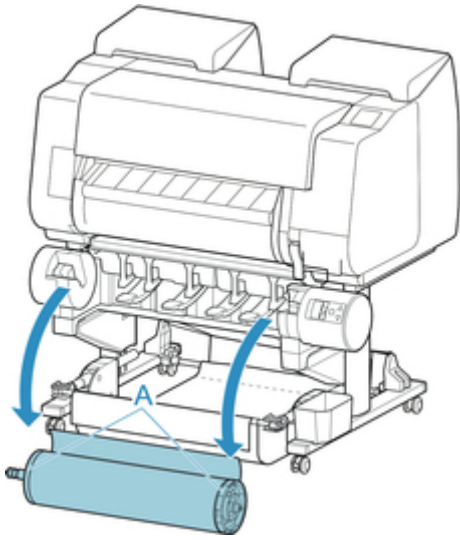
5. 用双手按箭头方向转动卷纸支架以卷回卷纸。



6. 将卷纸单元上的**卷纸支架锁定开关**拨到解锁位置。



7. 握住卷纸支架的凸缘(A)，然后将其从卷纸支架槽中取出。

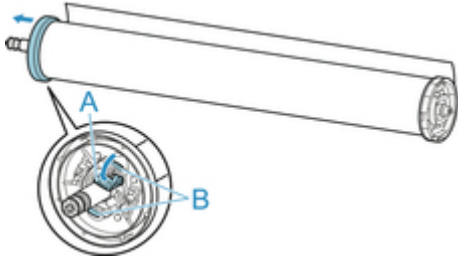


注釋

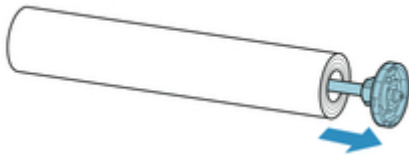
- 有关从卷纸支架取出卷纸的说明，请参见“[从卷纸支架上取下卷纸](#)”。
- 在打印机上安装新纸张时，继续请参见“[将上行卷纸装入打印机](#)”。

从卷纸支架上取下卷纸

1. 向轴侧推动支架止动器杆(A)解除锁定，握住位置(B)将支架止动器从卷纸支架上拆下。

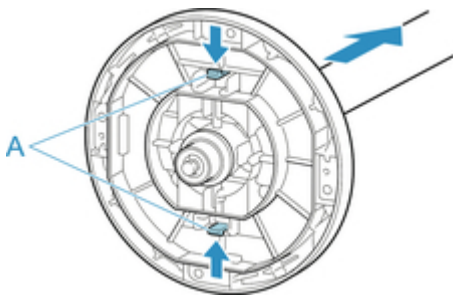


2. 从卷纸上取下卷纸支架。

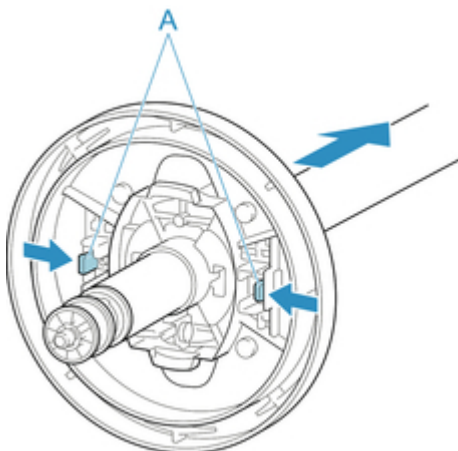


3. 要取下 3 英寸纸管配件，请向内按卡扣(A)，然后取下配件。

- 卷纸支架侧



- 支架止动器侧



重要事项

- 卷纸请放回原来的包装袋或包装箱，避免高温、多湿、直射阳光进行保管。保管不正确的话，在打印时会有打印面摩擦、打印质量下降的情况。

手动进给卷纸



送入卷纸后，可前后移动卷纸。

1. 在触摸屏的主页屏幕上点击纸张设置显示区域。



▶▶▶ 注释

- 如果主页屏幕未显示，则点击**主页**按钮。

2. 点击  或  区域。
3. 点击**进纸/裁切**。
4. 点击或触摸**送纸**和**卷回**以向前或向后移动卷纸。

▶▶▶ 注释

- 点击**送纸**或**卷回**可使卷纸移动约 1 毫米(1.04 英寸)。
触摸**送纸**或**卷回**可持续移动卷纸，直到松开按键。如果触摸屏上显示“**无法再送纸。**”，请松开此键。

5. 卷纸达到确定位置后，请点击 **OK**。

管理卷纸的剩余量

在主页屏幕上的**设备设置**中将**管理剩余卷纸量**设置为**启用**后，取出纸张时将用条形码和文本打印出卷纸剩余量和介质类型信息。如果将**管理剩余卷纸量**设置为**启用**并装入打印了条形码的卷纸，则在装入该卷纸后会自动检测出介质类型和卷纸剩余量。条形码在读取后将被裁掉。



重要事项

- 如果未检测出卷纸的条形码，请在触摸屏上输入介质类型和长度。

将**管理剩余卷纸量**设置为**启用**时，请按照以下步骤操作。

1. 在触摸屏的主页屏幕上点击**设备设置**。



注释

- 如果主页屏幕未显示，则点击**主页**按钮。

2. 点击**纸张相关设置**。
3. 点击**管理剩余卷纸量**。
4. 点击**启用**。

设置卷纸的墨水干燥时间

如果使用墨水附着时间较长的纸张，墨水可能在排纸时转移到纸张表面，从而弄脏纸张。此时，可以通过设置打印后等待墨水干燥的时间来改善这种情况。

►►► 注释

- 如果切割工具与墨水尚未晾干的打印面接触，可能会划伤或弄脏纸张表面，或在纸张落下时摩擦纸张表面而将表面弄脏。

要在打印完成后打印材料落下前等待墨水变干，将打印机菜单上的**裁切方式**设置为**弹出裁切**。(请参见“[设置卷纸的切断方法](#)”。)

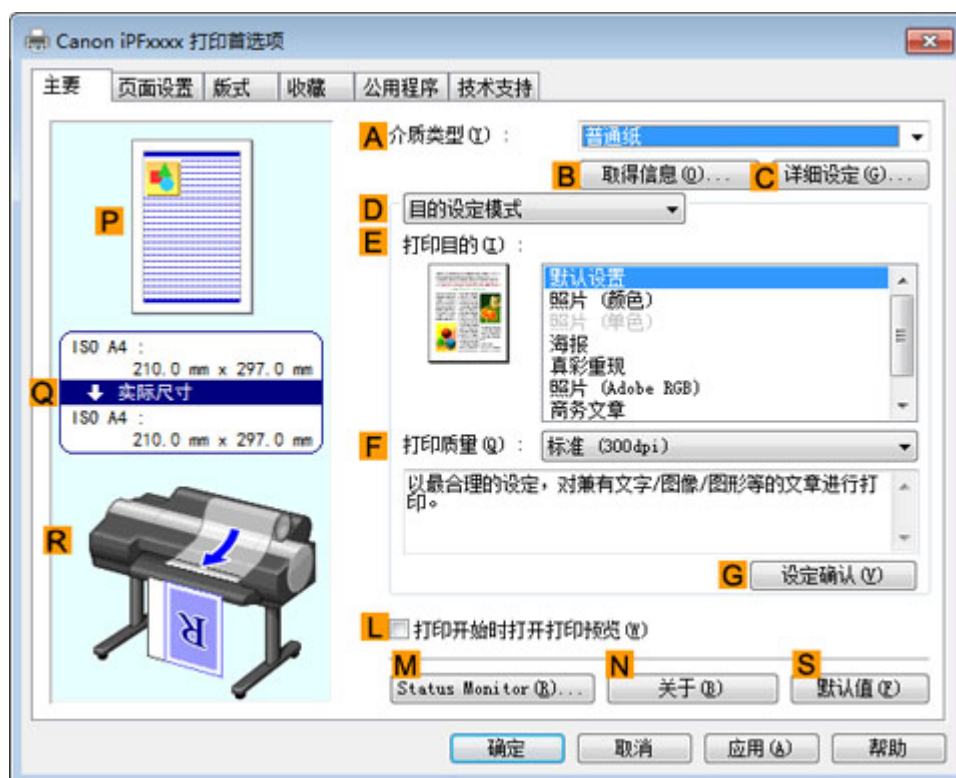
- 也可在打印机的触摸屏中进行这些设置。在**纸张设置**中，选择**纸张设置 > 高级设置**，然后设置**每次扫描后暂停**和**每页之间暂停**。

使用 Windows 时

1. 打开打印机驱动程序的对话框。

(请参见“[如何打开打印机驱动程序设置窗口](#)”。)

2. 选择**主要**选项卡并单击**介质类型**的指定。



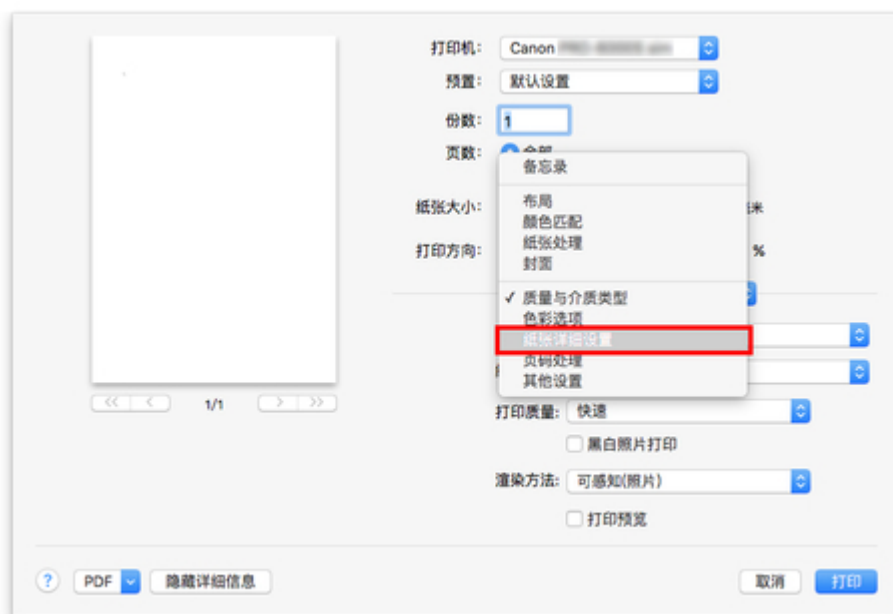
3. 在随后显示的**纸张详细设置**对话框中，在**干燥时间**的**页码范围**和**扫描范围**列表中选择所需的设置值，然后单击**好**。

(请参见“[主要选项卡的说明](#)”。)

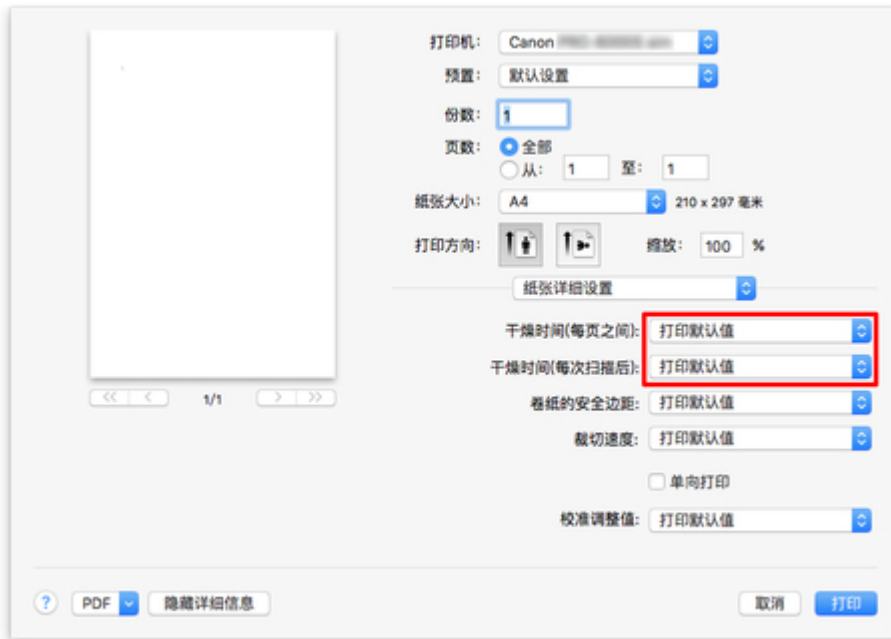


使用 Mac OS 时

1. 从应用程序的菜单中选择打印。
2. 选择纸张详细设置选项卡。



3. 从干燥时间(每页之间)和干燥时间(每次扫描后)的列表中选择所需的值。
(请参见“纸张详细设置”。)



设置卷纸的切断方法

根据打印机的设置，排纸后切断卷纸的方法不同。

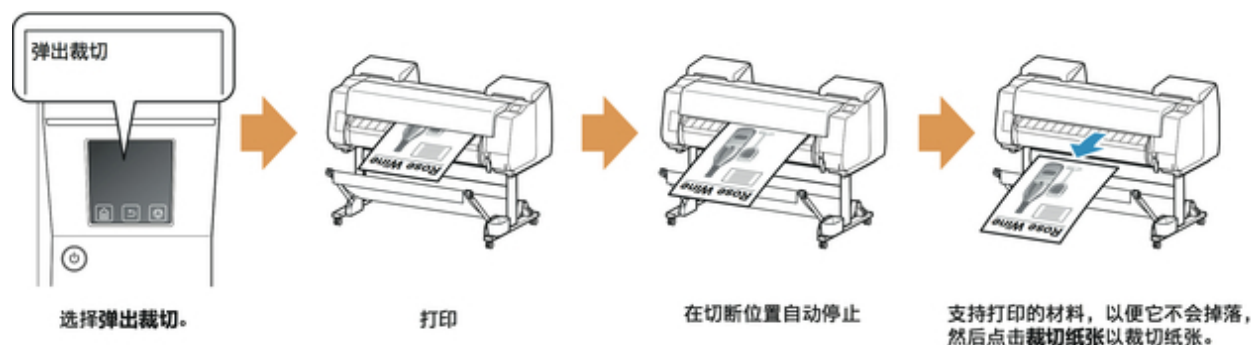
切断方法		打印机的设置		打印机驱动程序中的设置	
自动裁切	根据打印机驱动程序中的设置，切刀刀片会自动裁切卷纸。	卷纸 1/卷纸 2 > 纸张设置 > 高级设置 > 裁切方式	自动裁切	自动裁切 请参见“ 打印后裁切卷纸 ” (Windows)。 请参见“打印后裁切卷纸” (Mac OS)。	是
排纸(纸张表面被刮擦时/等待墨水干燥时)	选择本选项以通过触摸屏操作移动切刀，并裁切纸张。设置为 自动裁切 后，纸张落下时可能会与篮子发生摩擦，导致打印面损坏，但是可以使用此方法切纸并托住纸张，以防其落下时受到损坏。也可以通过目视检查墨水是否已干，防止未干的纸张掉落，然后再裁切纸张。 打印完成后，点击 裁切纸张 并在切刀刀片上裁切卷纸。		弹出裁切		是
手动(使用切刀刀片不能裁切的介质时)	如果纸张无法在切刀刀片上裁切，请选择此选项。 使用剪刀从卷纸上裁切各个页面。连续打印时(如果稍后裁切各个页面)，请选择 自动裁切 > 是 或选择 打印裁切线 。		用户裁切		否, 是, 打印裁切线
切断纸张(想在任意位置切断卷纸时)	在打印机驱动程序中的 自动裁切 中选择 否 或 打印裁切线 时，想要在打印后通过使用触摸屏操作切刀刀片进行裁切时选择此项。 或者想在切断卷纸后切断纸张上端时选择。	卷纸 1/卷纸 2 > 进纸/裁切 > 裁切纸张	是	否, 打印裁切线	

注 释

- 仅将打印机驱动程序中的**自动裁切**选择为**是**时，自动裁切和弹出裁切有效。
- 使用排出切断进行连续打印时，在打印后不剪切卷纸的话则不开始下面的打印。
- 某些纸张的**裁切方式**预设为**弹出裁切**。建议不要变更这些纸张预设的裁切方式。
- 使用自动、排纸或手动剪切打印的打印品长度较短时，可能是为避免发生剪切及排纸问题，进给了特定长度的卷纸而引起的。在一些情况下，可能会生成较宽的下端页边距。

在以下情况下，请手动切断卷纸。

排纸(纸张表面被刮擦时/等待墨水干燥时)



重要事项

- 排出切断宽幅纸张时, 请由 2 人扶着纸张。纸张掉落的话, 会成为损伤打印品的原因。
- 扶着纸张时, 请不要抬起纸张切断。纸张浮起的话, 则会有打印质量下降、切断面杂乱的情况。

注释

- 一旦执行了以下步骤, 下次即可从步骤 7 开始程序。
 - 打印第二次及以后的次数
 - 用相同类型纸张替换后打印

1. 在触摸屏的主页屏幕上点击纸张设置显示区域。



注释

- 如果主页屏幕未显示, 则点击主页按钮。

2. 点击装有要为其设置裁切方法的卷纸的供纸槽。
3. 点击纸张设置。
4. 点击高级设置。
5. 点击裁切方式。

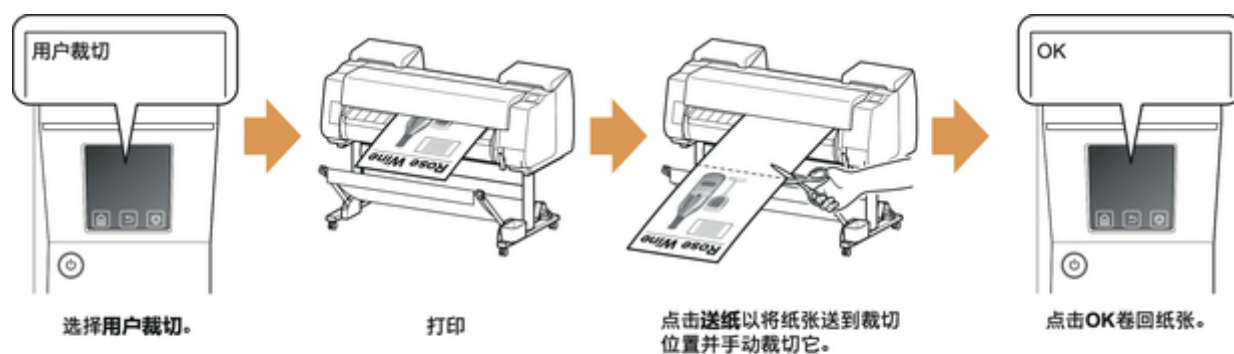
6. 点击弹出裁切。

7. 打印作业。

打印结束，则不切断而自动停止。

8. 扶着打印的文档以防掉落，同时点击裁切纸张以裁切卷纸。

手动(使用切刀刀片不能裁切的介质时)



►►► 注释

- 一旦执行了以下步骤，下次即可从步骤 8 开始程序。
 - 打印第二次及以后的次数
 - 用相同类型纸张替换后打印

1. 在触摸屏的主页屏幕上点击纸张设置显示区域。



►►► 注释

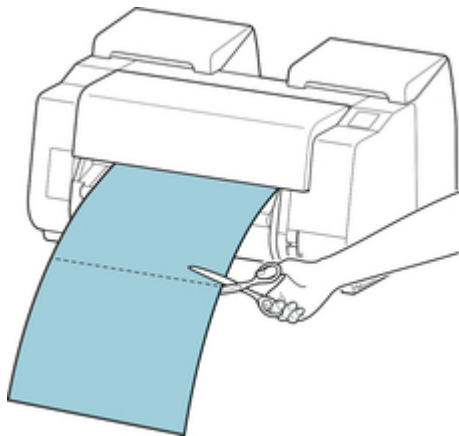
- 如果主页屏幕未显示，则点击主页按钮。

2. 点击装有要为其设置裁切方法的卷纸的供纸槽。

3. 点击**纸张设置**。
4. 点击**高级设置**。
5. 点击**裁切方式**。
6. 点击**用户裁切**。
7. 显示**是否设置为检测纸张的前端?**时, 选择**检测(推荐)**。
8. 打印作业。
打印结束, 则停止。

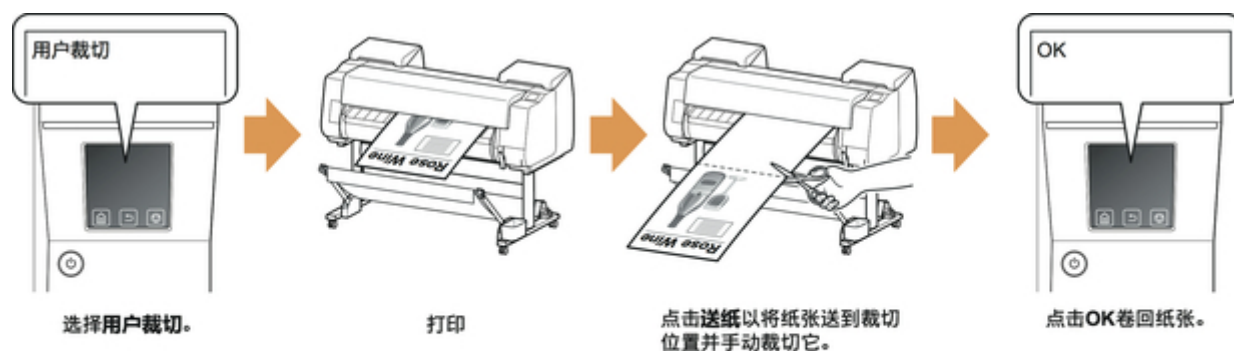
9. 点击**送纸**。
自动地将纸张进给到切断位置, 停止。

10. 手动用剪刀等切断卷纸。



11. 点击**OK**。
卷纸倒回, 自动地停止。

手动(适用于前端摩擦打印头的纸张)



注 释

- 一旦执行了以下步骤，下次即可从步骤 8 开始程序。
 - 打印第二次及以后的次数
 - 用相同类型纸张替换后打印

1. 在触摸屏的主页屏幕上点击纸张设置显示区域。



注 释

- 如果主页屏幕未显示，则点击主页按钮。

2. 点击装有要为其设置裁切方法的卷纸的供纸槽。
3. 点击纸张设置。
4. 点击高级设置。
5. 点击裁切方式。
6. 点击用户裁切。

7. 显示**是否设置为检测纸张的前端?**时, 选择**不检测**。

▶▶▶ 注释

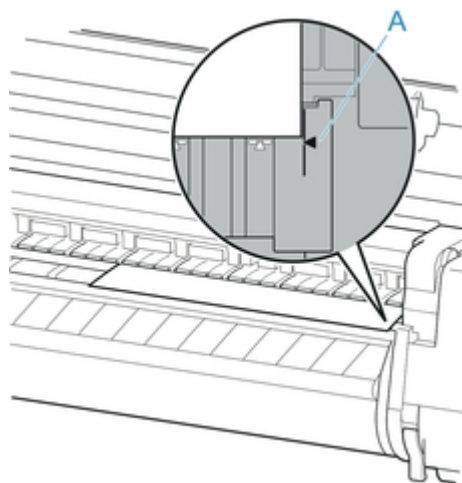
- 如果将纸张前端检测设置为**不检测**, 打印开始时会在纸张前端创建 10 cm 的页边距。
- 如果将纸张前端检测设置为**不检测**, 打印会在更换卷纸后首次打印设置的卷纸位置开始。因此, 纸张前端的页边距将扩大。

(请参见“[将上行卷纸装入打印机](#)”。)

8. 点击两次**返回**按钮以显示卷纸屏幕。

9. 点击**进纸/裁切**。

10. 点击或触摸**送纸**或**卷回**, 并将纸张前端与位置(A)对齐。



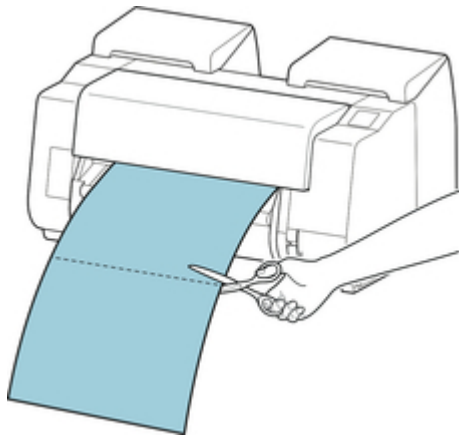
11. 打印作业。

打印结束, 则停止。

12. 点击**送纸**。

自动地将纸张进给到切断位置, 停止。

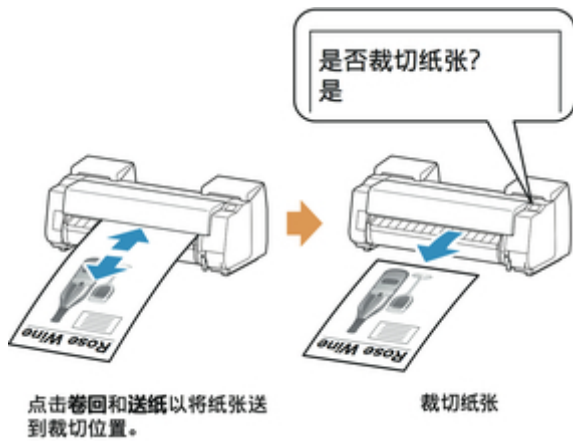
13. 手动用剪刀等切断卷纸。



14. 点击 **OK**。

卷纸倒回，自动地停止。

切断纸张(想在任意位置切断卷纸时)



1. 在触摸屏的主页屏幕上点击纸张设置显示区域。



▶▶▶ 注释

- 如果主页屏幕未显示，则点击**主页**按钮。

2. 点击装有要裁切的卷纸的供纸槽。
3. 点击**进纸/裁切**。
4. 点击或触摸**送纸**或**卷回**将卷纸送入所需的裁切位置。
5. 点击**裁切纸张**。
6. 点击**是**。
卷纸被切断，自动地倒回。

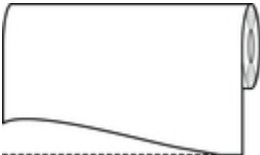
自动切断卷纸上端

装入卷纸时，如果卷纸前端裁切歪斜或不整齐，将无法正确打印。如果发生此情况，可以使用触摸屏菜单上的**首先剪裁边缘**在装入卷纸时整齐裁切纸张前端。

以下设置可用于**首先剪裁边缘**。

- **自动**

如果卷纸的前边缘在安装卷纸时切断得歪斜或不整齐，请整齐切断卷纸的前边缘并排出纸张的残片，防止打印到压纸滚筒上弄脏打印机。



- **自动(默认长度)**

根据介质类型，纸张前端的剪切量会有所不同，并会按预设长度裁切。有关前端预切长度，请参见“纸张信息列表”。

- **自动(指定长度)**

在触摸屏上指定纸张前端的剪切量。可以从触摸屏上显示的长度范围中指定前端的剪切量。根据介质类型不同，长度范围有所不同。

》》》注释

- 设置的卷纸前端的剪切量不能比触摸屏上显示的长度短。

- **手动**

可以通过使用触摸屏调整纸张前端的剪切量。

要在调整后裁切纸张，请点击**裁切纸张**和**是**。

剪切纸张后，点击**纸张装入完成**。

》》》注释

- 如果剪切纸张后不点击**纸张装入完成**，则无法打印下一个作业。

- **关**

不切断纸张前边缘且不排出纸片。



请按照以下步骤更改**首先剪裁边缘**设置。

1. 在触摸屏的主页屏幕上点击纸张设置显示区域。



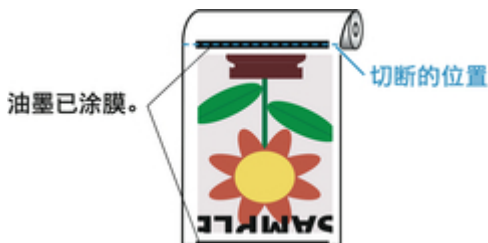
注 释

- 如果主页屏幕未显示，则点击主页按钮。

2. 点击  或 .
3. 点击纸张设置。
4. 点击高级设置。
5. 点击首先剪裁边缘。
6. 点击所需的首先剪裁边缘设置。
自下次安装卷纸时起设置有效。

减少卷纸的切屑

如果纸张在裁切时易产生纸屑(如背光胶片),从触摸屏菜单将**减少裁切屑**设置为**开**,可以使用墨水覆盖已打印文档的前端和后端,以减少裁切屑。如此可以减少打印头发生的问题。可以根据介质类型设置**减少裁切屑**。



重要事项

- 使用普通纸或轻质纸等容易产生褶皱的纸张时,请勿将**减少裁切屑**设置为**开**。如果裁切不当,可能会造成卡纸。
- 将**减少裁切屑**设置为**开**时,无边距打印不可用。执行无边距打印时,将**减少裁切屑**设置为**关**。



请按照以下步骤将**减少裁切屑**设置为**开**。

1. 在触摸屏的主页屏幕上点击纸张设置显示区域。



注释

- 如果主页屏幕未显示,则点击**主页**按钮。

2. 点击  或  区域。
3. 点击**纸张设置**。
4. 点击**高级设置**。
5. 点击**减少裁切屑**。
6. 点击**开**。

自动切换卷纸

将选购的卷纸单元用作卷纸进纸设备，可以装入上行卷纸(打印机上的卷纸 1)和下行卷纸(卷纸单元上的卷纸 2)，然后在打印时根据打印作业在卷纸 1 和卷纸 2 之间自动切换。

有关如何在卷纸 1 和卷纸 2 之间切换的详细资料，请参见“[如何切换卷纸](#)”(Windows)或“如何切换卷纸”(Mac OS)。

▶▶▶重要事项

- 如果将**纸张保留设置**设置为**解除保留**，则无法使用自动切换卷纸功能。

单页纸的使用方法

- ➔ [将单页纸安装到打印机上](#)
- ➔ [变更介质类型](#)
- ➔ [从任意位置开始打印](#)
- ➔ [取下单页纸](#)
- ➔ [清除卡住的单页纸](#)

将单页纸安装到打印机上

用以下步骤在打印机上安装单页纸。

重要事项

- 仅当使用支架时才支持在单页纸上打印。但是，即使不使用支架，最多也可以装入长达 420 毫米(16.5 英寸)的纸张。
- 不平整或者弯曲的纸张会卡纸。必要时请抚平纸张再重新安装。
- 请平直地装入纸张。装入纸张歪斜会导致错误。(请参见“[1317](#)”。)

注释

- 安装单页纸前，确认上盖或出纸导片内侧是否脏污。如果脏污，建议事先进行清洁。(请参见“[清洁上盖内侧](#)”。)。
- 将不使用的纸张放回原来的包装袋，放置在避开高温、多湿、直射阳光的场所进行保管。


1. 选择单页纸作为纸源。

- **事先接收到了打印作业时**
自动选择单页纸，触摸屏上显示出打印作业指定的介质类型和尺寸。
点击 **OK** 和**请装入纸张。**
- **事先没有收到打印作业时**
 1. 在触摸屏上点击纸张设置显示区域。



注释

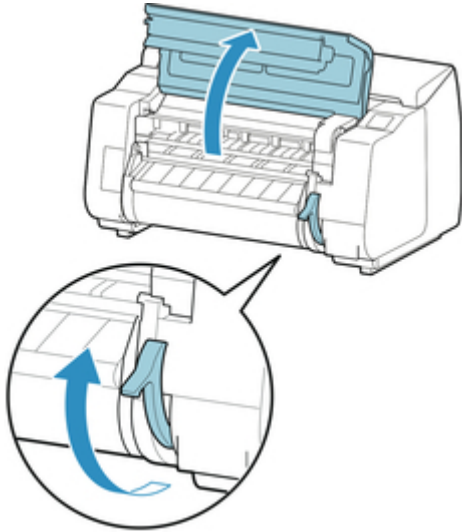
- 如果主页屏幕未显示，则点击**主页按钮**。

2. 点击区域。
3. 点击**请装入纸张。**或**更换纸张。**

注释

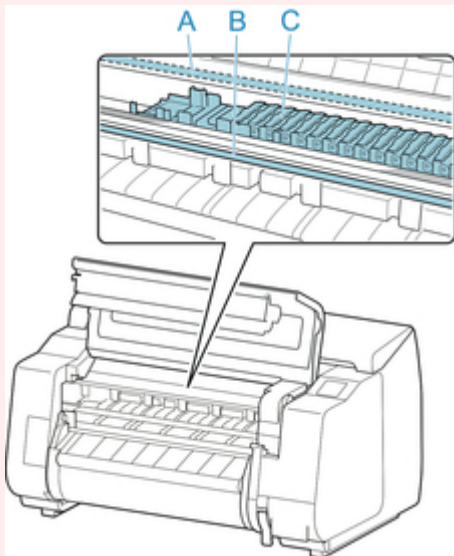
- 供给了不使用的纸张时，显示出取下纸张的提示信息。
按照屏幕上的说明取出纸张，然后重新操作。

2. 打开上盖并抬起释放杆。



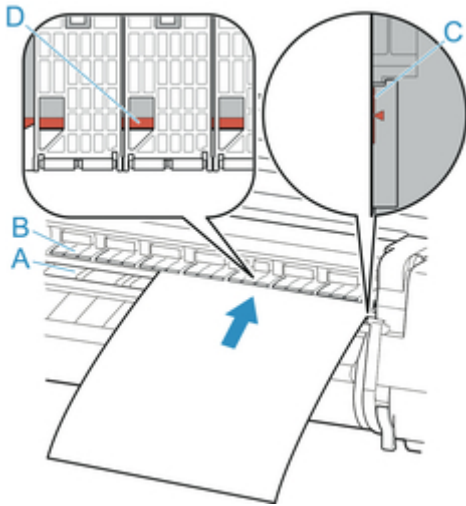
重要事项

- 请勿碰触线性标尺(A)、托架轴(B)或墨水管稳定器(C)。否则可能损坏这些部件。



3. 将单页纸打印面朝上，纵向插入到压纸滚筒(A)和纸张压板(B)之间，然后按以下步骤对齐纸张的前端。

1. 装入时，与右侧纸张对齐线(C)对齐。
2. 如图所示，将所插入单页纸的前端与纸张对齐线(D)的前端对齐。



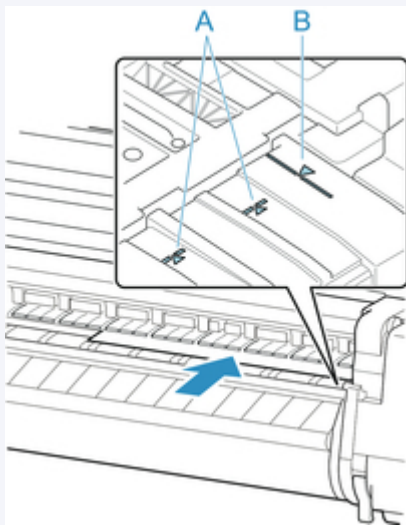
插入单页纸时，单页纸会自动附着在压纸滚筒的表面。

重要事项

- 装入单页纸，使其与右侧的纸张对齐线(C)平行。装入纸张歪斜会导致错误。
- 卷曲的纸张可能会摩擦打印头。如果纸张卷曲，请在装入前将其展平。

注释

- 也可以沿后端对齐单页纸。在这种情况下，装入单页纸使其后端与压纸滚筒上的标记(A)对齐，其右端与右侧纸张对齐线(B)对齐。



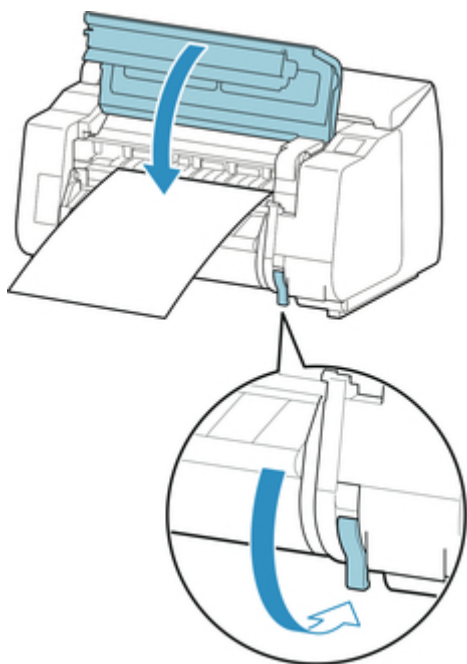
- 抬起释放杆时，可以调整将纸张吸附于压纸滚筒的真空强度。如果难以装入纸张，点击触摸屏上的吸力，并调整真空强度。真空强度有 5 个调整级别。

但是，即使增加吸附力，某些类型的纸张也不能附着在压纸滚筒上。在这种情况下，请用手装入纸张。

- 单页纸通过压纸滚筒上的孔眼吸附住。根据纸张装入位置，有时会听到声响，这并不是异常。如果介意声响，请在保持与纸张对齐线平行的状态下试着稍微左右挪动纸张[最多在 1 毫米(0.039 英寸)以内]。

- 安装时的吸引时间大约为 30 秒。在吸引过程中未能安装上时，拉出单页纸再重新插入，则会再次被吸引。

4. 放下释放杆并关闭上盖。



- 事先接收到了打印作业时
点击 **OK** 以送入纸张并开始打印。
- 事先没有收到打印作业时
显示选择介质类型的菜单。
选择所装入的介质类型，然后点击 **OK**。
开始供纸。

▶▶▶ 注释

- 有关可选择的介质类型的详细资料，请参见“纸张信息列表”。

从任意位置开始打印

按照以下步骤从任意开始位置进行打印。


将检测纸张宽度设置为禁用

1. 在触摸屏的主页屏幕上点击纸张设置显示区域。



注釋

- 如果主页屏幕未显示，则点击主页按钮。

2. 点击  区域。
3. 点击纸张设置。
4. 点击高级设置。
5. 选择检测纸张宽度，然后点击禁用。

将纸张安装到任意开始打印位置

按照以下说明将检测纸张宽度设置为禁用时，将纸张装入所需开始位置进行打印。

1. 安装纸张后，事先没有接收到打印作业时，显示出选择纸张类型的画面。

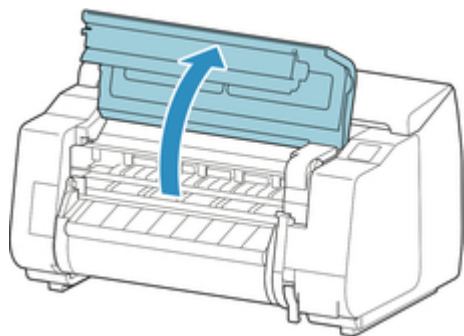
点击装入的介质类型。

注釋

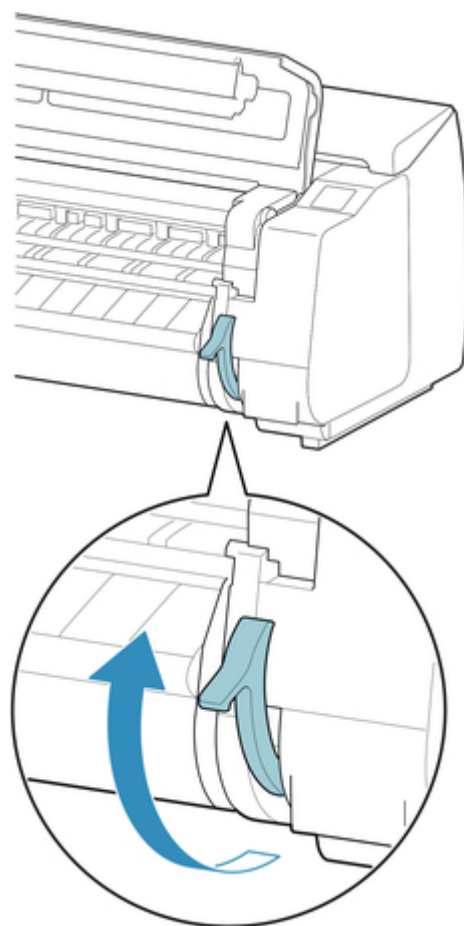
- 在供纸前接收到打印作业时，触摸屏上会显示出打印作业指定的介质类型和尺寸。
请进入步骤 2。

2. 触摸屏上显示“已禁用[检测纸张宽度]。是否保持禁用并继续？”时，点击保持禁用并继续。

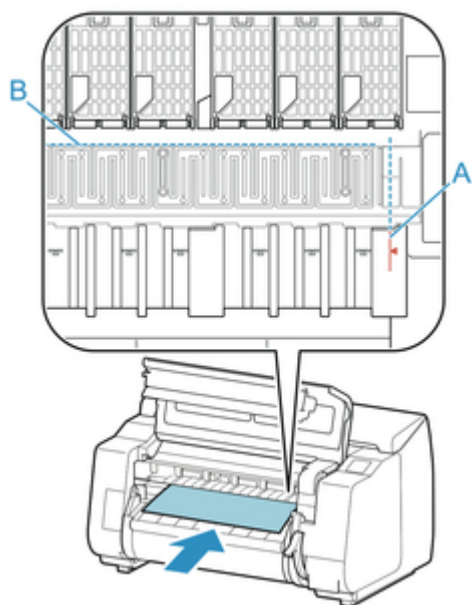
3. 打开上盖，确认纸张的装入位置。



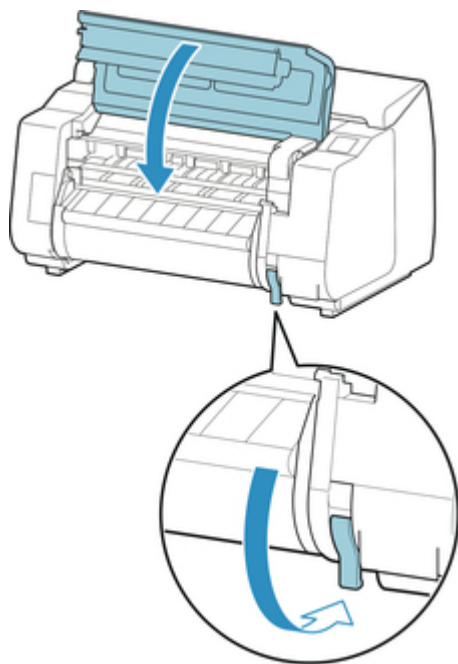
要从现在开始打印时，关闭上盖。
要变更纸张的装入位置，请抬起释放杆。



4. 将纸张的右端对准打印机右侧纸张对齐线(A)的延长线，并将打印开始位置对准压纸滚筒内侧的槽(B)装入纸张。



5. 放下释放杆并关闭上盖。



6. 出现选择纸张尺寸的屏幕时，选择要装入的纸张尺寸。

取下单页纸


用以下步骤从打印机上取下单页纸。

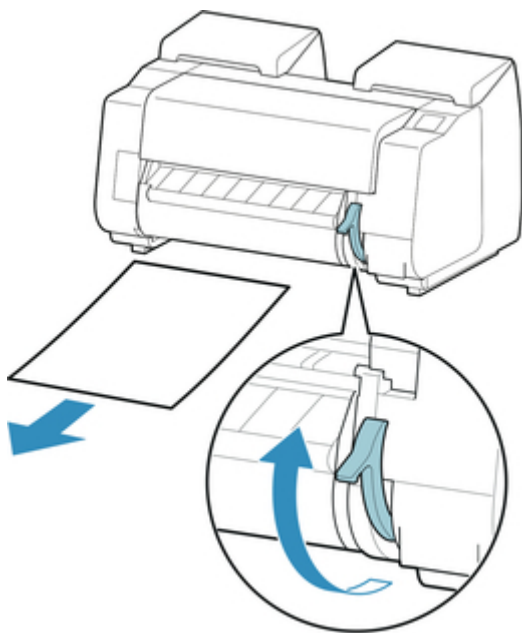
1. 在触摸屏的主页屏幕上点击纸张设置显示区域。



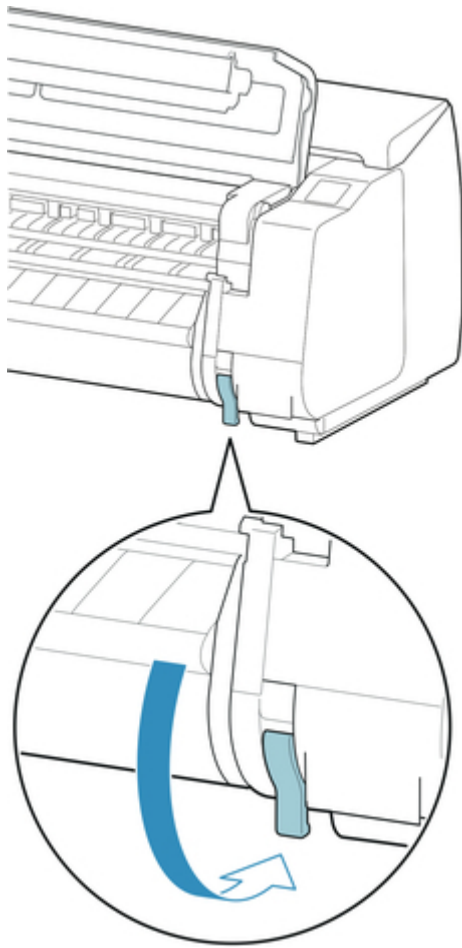
注释

- 如果主页屏幕未显示，则点击主页按钮。

2. 点击  区域。
3. 点击**取出纸张**。
4. 查看触摸屏信息并点击**是**。
5. 触摸屏上显示取下单页纸的说明时，在抓住单页纸的同时抬起释放杆，然后取下单页纸。



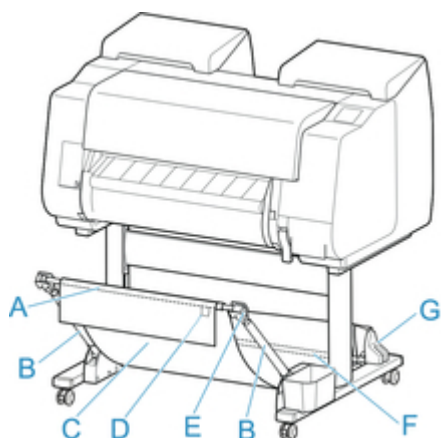
6. 放下释放杆。



篮子

- [篮子部件](#)
- [使用篮子](#)
- [篮子设置示例](#)
- [存放篮子](#)

篮子部件



A. **篮子杆(标签侧)**

将布篮子固定在篮子臂的尖端处。

B. **篮子臂**

保留篮子杆(标签侧)。

可以通过更改长度和角度，使篮子适用于多种情况。

不使用篮子时，可以将其放下并存放在支架旁边。(请参见“[存放篮子](#)”。)

C. **篮子**

是接住排出的纸张的布制托盘。

D. **白色标签**

表示篮子安装方向的标记。

E. **篮子卷回按钮**

将篮子卷到篮子杆(标签侧)上后，可以按此按钮卷回锁定脚轮。

F. **篮子杆(细带侧)**

将布篮子固定到杆支架上。

G. **杆支架**

保留篮子杆(细带侧)。

有关使用的篮子说明，请参见“[使用篮子](#)”。

使用篮子

可以通过更改篮子(选购的支架的一个部分)的以下四个方面，以适合应用的各种方式使用篮子。

- 篮子臂的长度
- 篮子臂的偏转
- 篮子的安装位置
- 篮子的长度

本节说明如何更改篮子。

有关篮子使用的具体示例，请参见“[篮子设置示例](#)”。

重要事项

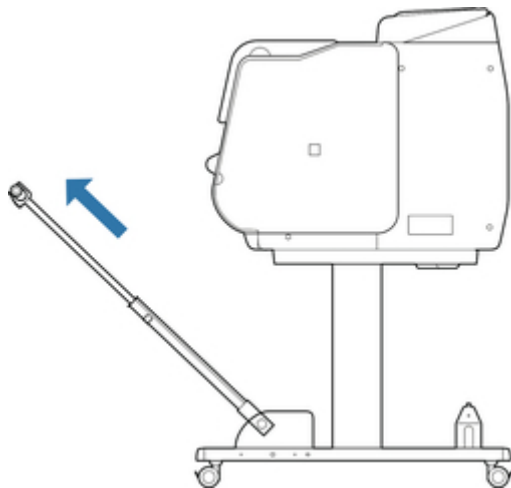
- 更改篮子的位置时，首先在按住篮子杆(标签侧)右端的篮子卷回按钮的同时将篮子恢复为展开的状态，然后进行更改。
- 如果篮子杆(标签侧)已脱离篮子臂，则通过将篮子杆(标签侧)两端的突出部分插入到篮子臂尖端的椭圆形洞中进行安装。
- 在移动打印机时，取下篮子。
- 请勿对篮子用力过度。否则可能会损坏篮子。
- 如果篮子的布制部件变脏，请擦拭脏处而不要清洗。清洗可能会影响篮子的性能。

更改篮子臂的长度

可通过两个步骤更改篮子臂的长度。

要伸长，请按箭头方向伸长左/右篮子臂。

要缩短，请按箭头反方向缩短左/右篮子臂。

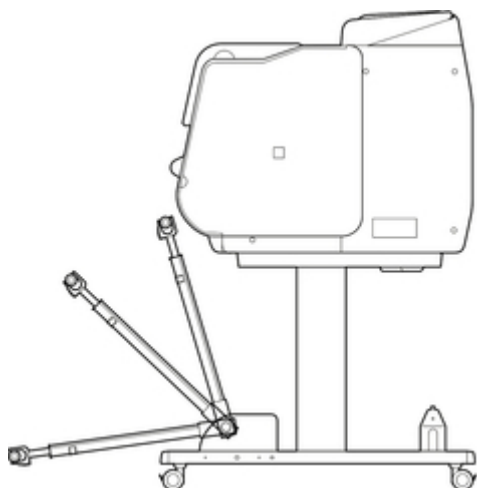


重要事项

- 伸长篮子臂时，首先在按住篮子杆(标签侧)右端的篮子卷回按钮的同时将篮子恢复为展开的状态，然后进行更改。

更改篮子臂的偏转

可通过三个步骤更改篮子臂的偏转。



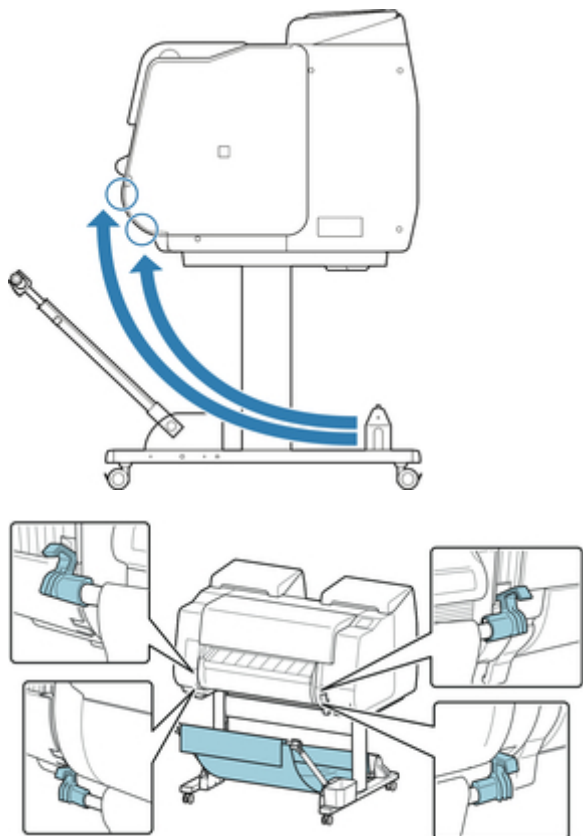
重要事项

- 如果要更改篮子臂的角度，请确保尽可能远地拉出篮子臂的厚部件。
- 更改篮子臂的角度时，抓住左/右篮子臂的厚部件，然后进行调整。

更改篮子的安装位置

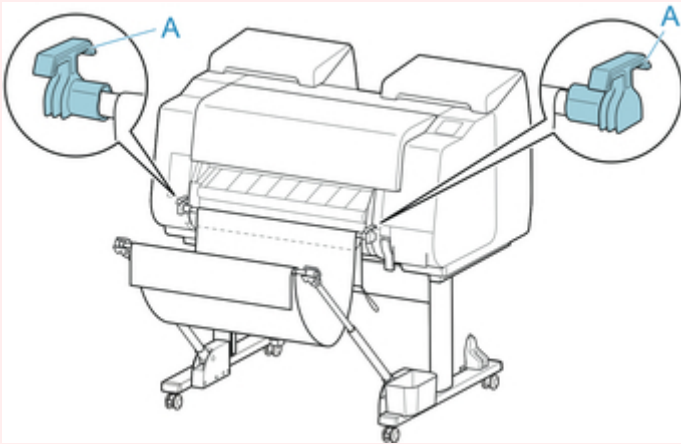
可以将篮子杆(细带侧)安装到支架的杆支架或打印机前部。

要安装，请将篮子杆(细带侧)的两侧挂到图中所示的配对安装位置。



重要事项

- 将篮子杆(细带侧)安装到打印机前部时, 确保杆(A)的两端牢牢地挂到安装部件上。

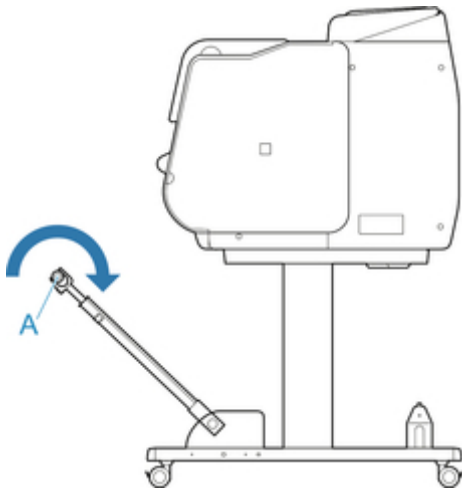


更改篮子的长度

可以通过旋转篮子杆(标签侧)调整篮子的长度。

要缩短, 请按箭头方向旋转篮子杆(标签侧)以卷取篮子。

要伸长, 请在按住篮子杆(标签侧)右端篮子卷回按钮(A)的同时, 按箭头相反方向旋转篮子杆(标签侧)。可以将卷起的篮子恢复到其原始位置。



篮子设置示例

篮子可在多个位置收集打印材料。

在本节中，我们将使用以下五个位置作为使用篮子的示例。改变篮子的位置以适合介质类型和打印作业。

- [在无卷纸单元的情况下使用\(位置 1\)](#)
- [在有卷纸单元的情况下使用\(位置 2\)](#)
- [在大幅面或容易损坏的纸张上打印\(位置 3\)](#)
- [叠放打印材料\(位置 4\)](#)
- [立即将打印材料移动到下一个工作区域\(位置 5\)](#)

有关改变篮子位置的说明，请参见请参见“[使用篮子](#)”。

重要事项

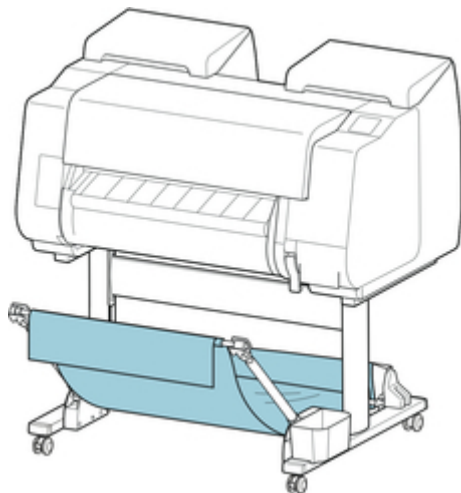
- 如果更换卷纸或将卷纸单元用作收纸设备，必须存放篮子。有关存放篮子的说明，请参见“[存放篮子](#)”。
- 如果收集的打印材料出现损坏或折叠，请选择[裁切方式](#)中的[弹出裁切](#)或以其他位置使用篮子。(请参见“[设置卷纸的切断方法](#)”。)

注释

- 有关使用篮子时打印机尺寸的详细资料，请参见“[规格](#)”。

在无卷纸单元的情况下使用(位置 1)

未使用卷纸单元时，可以在以下位置使用篮子。



重要事项

- 篮子中可收集的纸张数量为一。如果打印多页，请在取出每页纸张后打印。
- 如果将卷纸单元用作进纸设备，建议按照“[在有卷纸单元的情况下使用\(位置 2\)](#)”中的说明进行使用。
- 如果使用卷纸单元并在位置 1 使用篮子，根据纸张，打印材料可能会触碰卷纸单元，进而造成损坏。

- 如果将卷纸单元用作进纸设备并在位置 1 使用篮子，而装入纸张时设置为无边距打印或首先剪裁边缘时，所输出卷纸的剪切末端可能会进入卷纸单元并造成卡纸或影响打印质量。
- 篮子中可收集最长 1,575 毫米(62 英寸)的卷纸。如果在更长的卷纸上进行打印，请按照“[在大幅面或容易损坏的纸张上打印\(位置 3\)](#)”中所述进行使用，或将卷纸单元用作收纸设备。

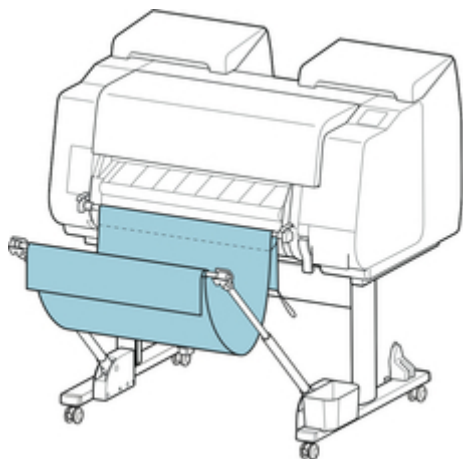
在有卷纸单元的情况下使用(位置 2)

将卷纸单元用作进纸设备时，可在以下位置使用篮子。

用手卷回打印的卷纸时，此位置很有用。

将篮子杆(细带侧)移动到打印机前部两对安装位置的上一对位置，以所示角度尽可能远地拉伸篮子臂以达到此位置。

可以调整篮子长度，以便于使用。



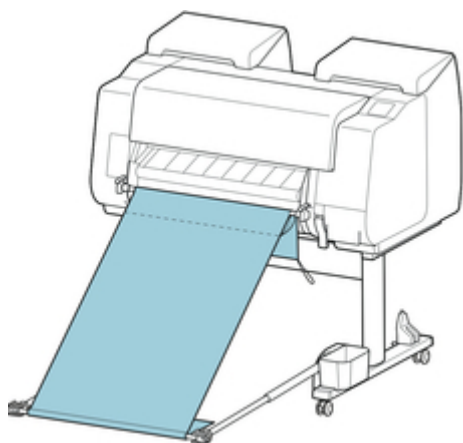
重要事项

- 篮子中可放置最多约 2 千克(4.41 磅)的打印材料。如果打印材料超重，篮子可能会掉落。

在大幅面或容易损坏的纸张上打印(位置 3)

如果在大幅面或容易损坏的纸张上打印，可在以下位置使用篮子。

将篮子杆(细带侧)移动到打印机前部两对安装位置的上一对位置，尽可能远地拉伸篮子臂并将其放低至所示角度。接着，调整长度以便将篮子拉至此位置。



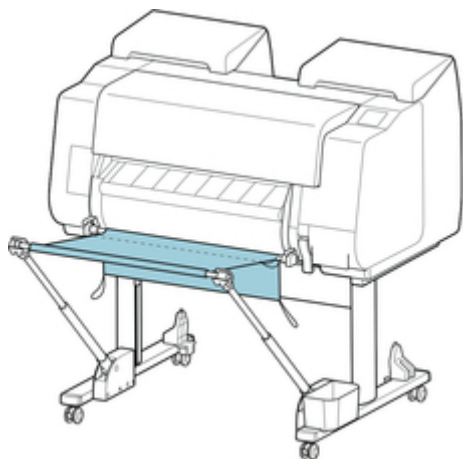
重要事项

- 以此位置使用时，请务必选择**裁切方式**中的**弹出裁切**。如果选择**自动裁切**，则打印材料可能损坏。(请参见“[设置卷纸的切断方法](#)”。)
- 在此位置上使用易卷曲或易损坏的纸张时，请格外小心。
- 根据纸张，有时在排纸过程中纸张的前端会卷曲或弯曲。在这种情况下，请修正卷曲或弯曲。纸张有卷曲或弯曲的话，会成为损伤打印品的原因。
- 根据纸张的不同，纸张输出时可能会卡在出纸导片和篮子之间。在这种情况下，请将卡住的纸张复原。如果发生卡纸，打印的文档可能会损坏。

叠放打印材料(位置 4)

要叠放打印材料时，可以在以下位置使用篮子。

将篮子杆(细带侧)移动到打印机前部两对安装位置的下一对位置，尽可能远地拉伸篮子臂至所示角度。接着，调整长度以便将篮子拉至此位置。



重要事项

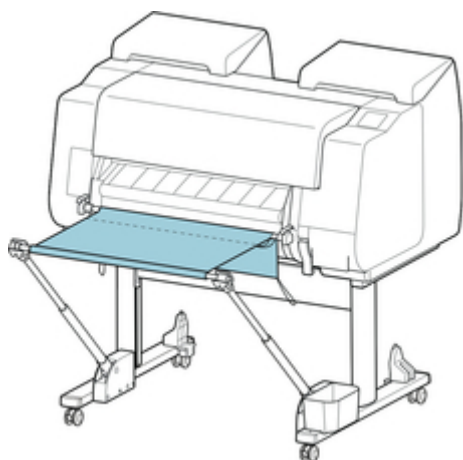
- 篮子处于此位置时，最多可叠放 10 张 A2 纵向光面照相纸和 20 张重磅覆膜纸 HG。如果叠放数量超过此数量，则可能会损坏纸张的打印面或造成篮子掉落。
- 在以下情况下，请按照“[在无卷纸单元的情况下使用\(位置 1\)](#)”或“[在有卷纸单元的情况下使用\(位置 2\)](#)”中所述进行使用。如果在这些位置打印多页，请在取出每页纸张后打印。

- 光面照相纸/重磅覆膜纸 HG 以外的纸张
- A2 纵向以外的打印材料
- 由于纸张特征和打印环境，纸张过于卷曲
- 卷筒上纸张剩余量不多，并且纸张过于卷曲的情况

立即将打印材料移动到下一个工作区域(位置 5)

立即将打印材料移动到下一个工作区域时，可以在以下位置使用篮子。

将篮子杆(细带侧)移动到打印机前部两对安装位置的上一对位置，尽可能远地拉伸篮子臂至所示角度。接着，调整长度以便将篮子拉至此位置。



重要事项

- 在此位置上使用易卷曲或易损坏的纸张时，请格外小心。
- 根据纸张，有时在排纸过程中纸张的前端会卷曲或弯曲。在这种情况下，请修正卷曲或弯曲。纸张有卷曲或弯曲的话，会成为损伤打印品的原因。
- 根据纸张的不同，纸张输出时可能会卡在出纸导片和篮子之间。在这种情况下，请将卡住的纸张复原。如果发生卡纸，打印的文档可能会损坏。

存放篮子

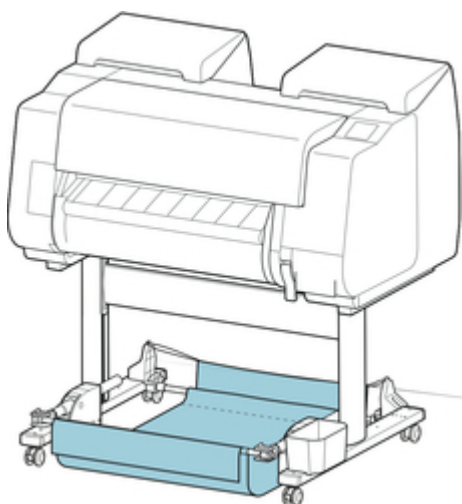
不使用篮子时，可以在以下两个位置存放锁定脚轮。选择适合情况的位置。

- [如果更改卷纸或将卷纸单元用作收纸设备](#)
- [在无篮子的情况下使用\(仅未使用卷纸单元时\)](#)

如果更改卷纸或将卷纸单元用作收纸设备

如果更换卷纸或将卷纸单元用作收纸设备，请存放篮子。

可将篮子杆(细带侧)安装到杆支架上，降低篮子臂直到放平，然后尽可能将其向后推以存放篮子。

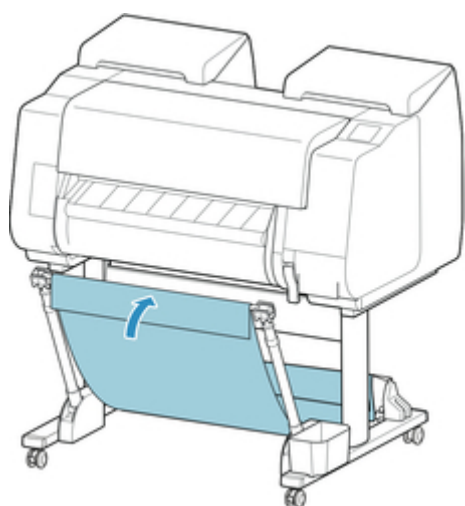


重要事项

- 如果更改篮子位置，则首先松开并卷回篮子。如果没有松开并卷回，可能无法妥帖地执行此更改，或篮子可能会损坏。(请参见“[使用篮子](#)”。)。
- 如果要更改篮子臂的角度，请确保尽可能远地拉出篮子臂的厚部件。
- 如果篮子杆(标签侧)已脱离篮子臂，则通过将篮子杆(标签侧)两端的突出部分插入到篮子臂尖端的椭圆形洞中进行安装。
- 请勿对篮子用力过度。否则可能会损坏篮子。

在无篮子的情况下使用(仅未使用卷纸单元时)

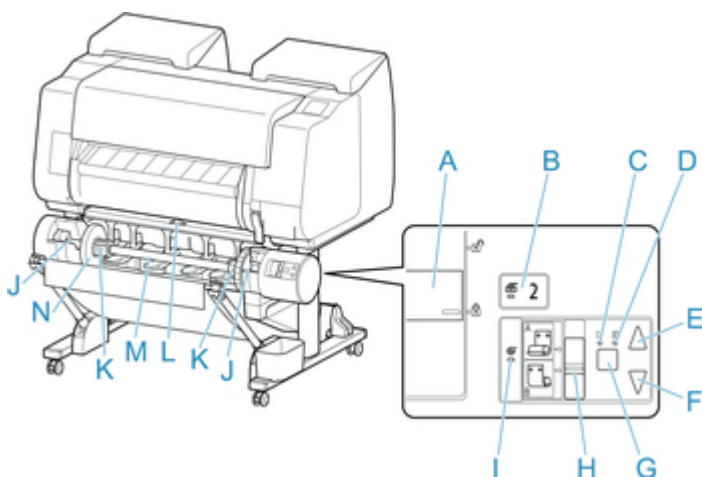
如果不使用卷纸单元，则可抓住处于位置 1(请参见“[篮子设置示例](#)”。)状态的左/右篮子臂的厚部件，然后按箭头的方向移动这些部件以轻松存放篮子。



卷纸单元

- ➔ [卷纸单元部件](#)
- ➔ [卷纸单元](#)
- ➔ [切换卷纸单元模式](#)
- ➔ [以收纸模式使用卷纸单元](#)
- ➔ [从卷纸单元上取下打印纸](#)

卷纸单元部件



- A. **卷纸支架锁定开关**
锁定和解锁卷纸单元中装入的卷纸支架。
- B. **进纸模式指示灯**
在卷纸单元上选择了进纸模式时将亮起。
- C. **自动收纸指示灯**
卷取纸张时将亮起。
- D. **暂停指示灯**
纸张卷动暂停时将亮起。
- E. **收纸按钮**
只要没有正在进行卷动，则可以按所需量旋转卷纸单元。卷动方向设置为向内卷动时，该单元将卷取纸张；卷动方向设置为向外卷动时，该单元将卷回纸张。
- F. **卷回按钮**
只要没有正在进行卷动，则可以按所需量旋转卷纸单元。卷动方向设置为向内卷动时，该单元将卷回纸张；卷动方向设置为向外卷动时，该单元将卷取纸张。
- G. **自动收纸/暂停按钮**
暂停和恢复纸张卷取。
- H. **向内/向外卷动切换开关**
更改纸张卷取时的卷动方向(向内卷动和向外卷动)。
- I. **收纸模式指示灯**
在卷纸单元上选择了收纸模式时将亮起。
- J. **卷纸支架槽**
将卷纸支架滑入导向槽。
- K. **3 英寸纸管配件**
使用 3 英寸纸管的卷纸时，安装到卷纸支架上。
- L. **进纸辅助杆开关**
根据卷纸单元模式更改进纸辅助杆位置。
- M. **卷纸支架**

将卷纸装在此支架上。

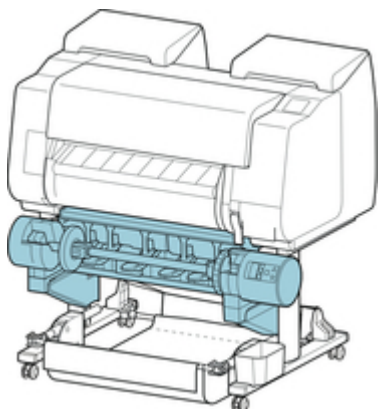
N. 支架止动器

该部件用于稳固卷纸支架上的卷纸。

卷纸单元

卷纸单元可用作进纸设备，为打印机提供一个额外滚筒(打印机由此具备两个滚筒)，也可用作自动卷取已打印卷纸的收纸设备。

根据情况在这两种功能之间切换。



有关安装卷纸单元的说明，请参见卷纸单元安装指南。

切换卷纸单元模式

使用卷纸单元前，请按照以下步骤选择要使用的模式。

重要事项

- 切换卷纸单元功能后，必须使用单独的计算机将卷纸单元设置应用到打印机驱动程序。有关详细资料，请参见“[将卷纸单元设置反映至打印机驱动程序](#)” (Windows)或“[将卷纸单元设置反映至打印机驱动程序](#)” (Mac OS)。
- 如果要将卷纸单元从收纸设备更改为进纸设备，请首先裁切已卷取的纸张。

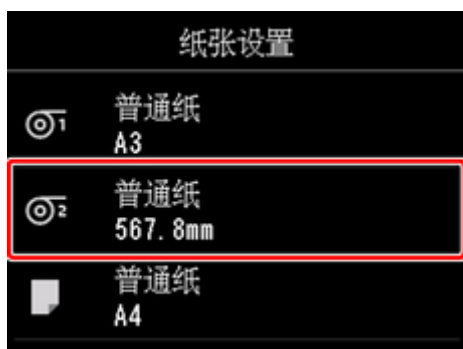
1. 在触摸屏的主页屏幕上点击纸张设置显示区域。



重要事项

- 如果主页屏幕未显示，则点击主页按钮。

2. 点击  或  区域。



3. 更改卷纸单元的功能。

- 用作进纸设备
 1. 点击卷纸单元用途设置。
 2. 显示确认将卷纸单元更改为进纸模式的信息时，点击开。

》》》注释

- 如果在未使用打印机切刀裁切卷纸的情况下更改模式，则在点击**开**后，将显示确认是否已裁切卷取纸张的屏幕。如果未裁切纸张，则首先选择**否**并裁切已卷取的纸张。

3. 在卷纸单元上装入卷纸。

有关详细资料，请参见“[在卷纸单元上装入下行卷纸\(选装件\)](#)”。

• 用作收纸设备

1. 点击**卷纸单元用途设置**。
2. 显示确认将卷纸单元更改为卷取模式的信息时，点击**开**。
3. 点击以选择使用收纸模式时的纸张裁切设置。

》》》注释

- 如果选择**不裁切**，无论打印机上的**裁切方式**设置(请参见“[设置卷纸的切断方法](#)”。)如何，打印后都不会裁切卷纸。要连续打印多页而不裁切时，选择此选项。
- 如果选择**使用裁切方式设置**，会按照打印机上的**裁切方式**设置(请参见“[设置卷纸的切断方法](#)”。)裁切每页纸张。
- 如果选择**使用裁切方式设置**，并且在打印机的**裁切方式**设置(请参见“[设置卷纸的切断方法](#)”。)中设置了**自动裁切**，建议将**裁切后卷起**设置为**启用**。设置为**禁用**时，已卷取的打印文档将在不按压的情况下自动裁切，从而导致磨损。
- 如果将卷纸从卷纸单元装入打印机，将显示确认是否取出卷纸的屏幕。如果选择**是**，则会确定卷纸位置，以便可以将其取出，并且卷纸单元将更改为收纸设备。

4. 显示确认是否立即以收纸模式使用卷纸单元的信息时，点击**是**或**否**。

如果点击**是**，则触摸屏上将显示在卷纸单元上装入纸张的步骤。

如果点击**否**，则操作将在此处结束。打印时在卷纸单元上装入纸张。但是，在这种情况下，由于必须在打印正在进行时装入纸张，因此触摸屏上不会显示说明。

有关在设置为收纸设备的卷纸单元上装入纸张的详细资料，请参见“[以收纸模式使用卷纸单元](#)”。

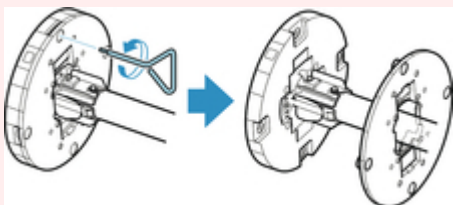
》》》注释

- 如果选择**是**，因为会在打印前将卷纸送入卷纸单元，会在前端生成大约 600 毫米(23.62 英寸)的边距。

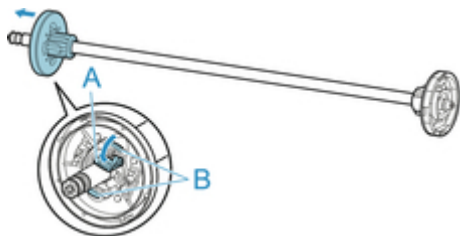
以收纸模式使用卷纸单元

重要事项

- 有关支持卷动的卷纸的详细资料，请参见“纸张信息列表”。。
- 将待卷取的卷纸装入卷纸单元前，在打印机触摸屏上将卷纸单元模式设置为收纸设备。(请参见“[切换卷纸单元模式](#)”。)
- 以下操作假设卷纸单元上未安装卷纸支架，且卷纸支架上未装入卷纸。如果卷纸支架安装在卷纸单元上，请先从卷纸单元上卸下卷纸支架，然后再取出装在卷纸支架上的卷纸。(请参见“[从卷纸单元取出下行卷纸\(选装件\)](#)”。)(请参见“[从卷纸支架上取下卷纸](#)”。)
- 可以卷动纸张，直到被卷纸张的外径与支架止动器的外径相等。
- 在轻质纸上打印或进行无边距打印时，纸张边缘可能因为触碰到卷纸支架而皱褶，使卷收效果不佳。如果使用 2 英寸纸管卷动时发生此问题，请取下卷纸支架凸缘上由 4 个六角螺丝固定的隔板，然后再进行卷动。

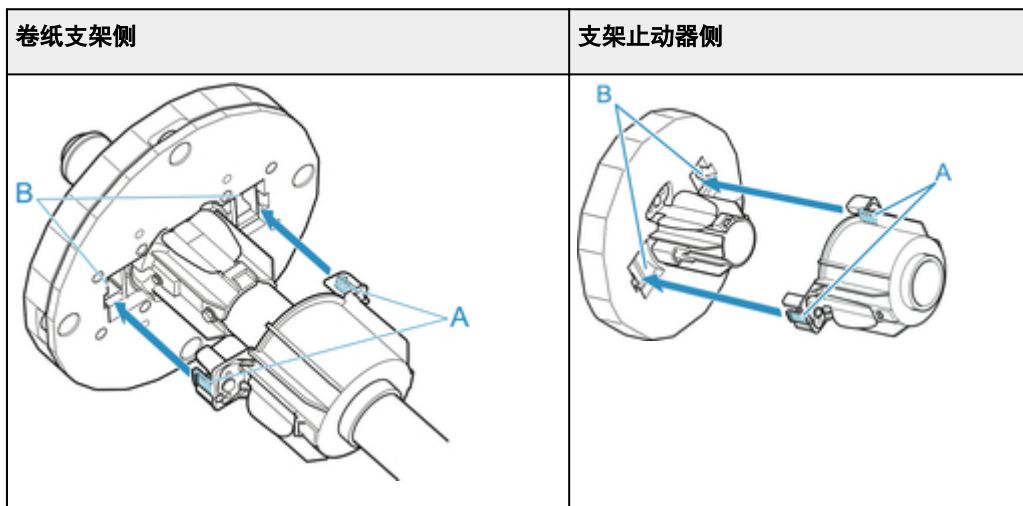


1. 存放篮子。(请参见“[存放篮子](#)”。)
2. 向轴侧推动支架止动器杆(A)解除锁定，握住位置(B)将支架止动器从卷纸支架上拆下。

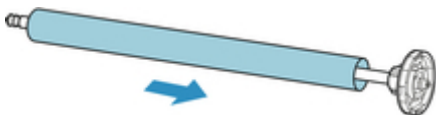


3. 如果卷取纸管内直径为 76.2 毫米(3 英寸)的卷纸，请将 3 英寸纸管配件插入卷纸支架和支架止动器中。

将 3 英寸纸管配件的卡扣(A)对准卷纸支架或支架止动器(B)上的孔，然后将其完全插入。



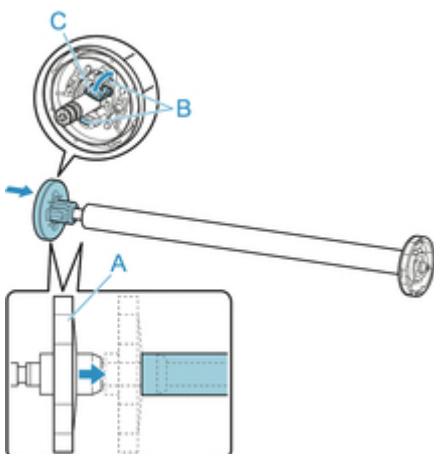
4. 将用于卷动卷纸的纸管插入卷纸支架。



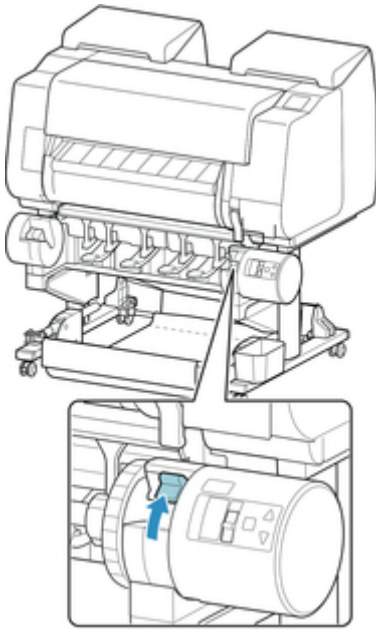
重要事项

- 建议在卷动纸张时使用比要卷动的纸张更宽的纸管。如果使用较窄的纸管，使用时请在支架止动器和纸张间留有空隙。
- 使用纸管卷动卷纸时，纸管务必与卷纸的纸管同等粗细或更粗。如果使用较细的纸管，可能会影响收纸。

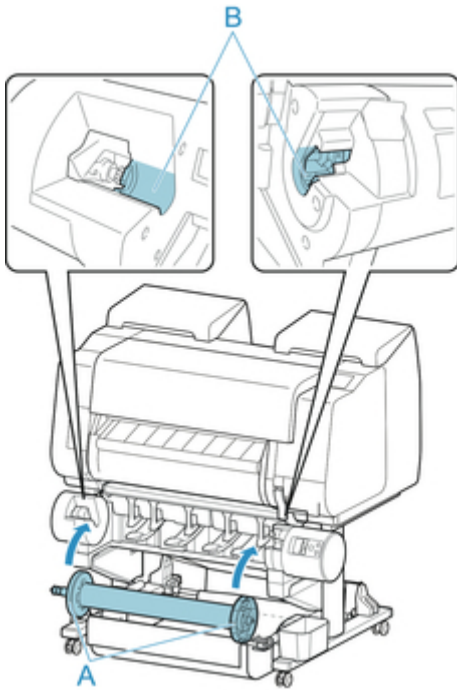
5. 如图所示，将支架止动器从左侧插入卷纸支架，然后在握住位置(B)的同时适当用力推支架止动器，直到其凸缘(A)触及卷纸。从轴上抬起支架止动器杆(C)以锁定。



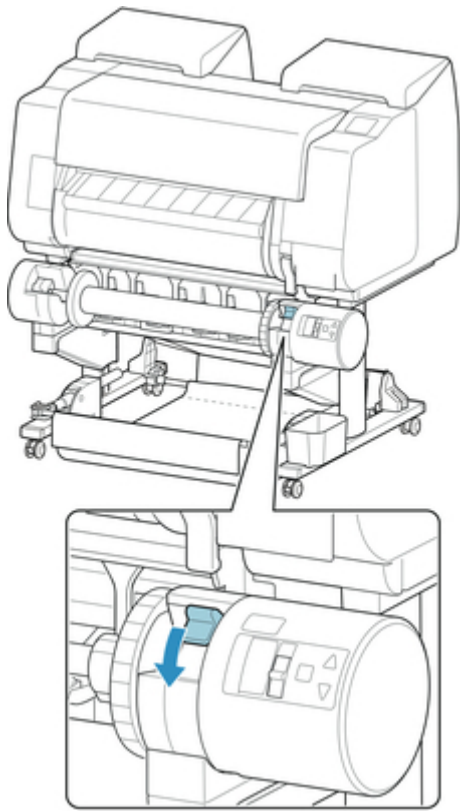
6. 将卷纸单元上的卷纸支架锁定开关拨到解锁方向。



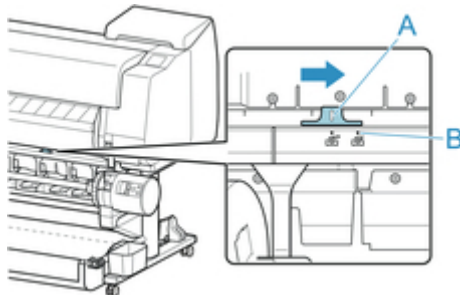
7. 抓住凸缘(A)，从而使卷纸支架的白色齿轮位于左侧位置，将卷纸支架轴与卷纸支架槽左右两侧的导向槽(B)对齐，然后装入卷纸。



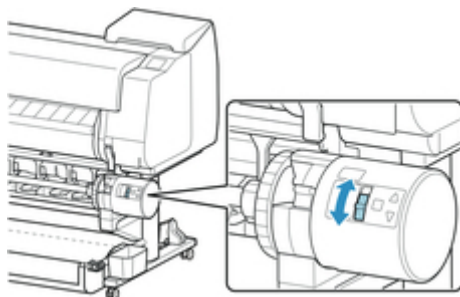
8. 将卷纸单元上的**卷纸支架锁定**开关拨到锁定方向。



9. 切换卷纸单元顶部的进纸辅助杆开关，以便开关指示灯(A)与卷取图标的●(B)位置对齐。



10. 将卷纸单元上的向内/向外卷动切换开关拨到所需的卷动方向。



►► 注释

- 对于卷纸的卷动方向，可以选择向外卷动，使打印面在卷纸外侧，也可以选择向内卷动，使打印面在纸卷内侧。

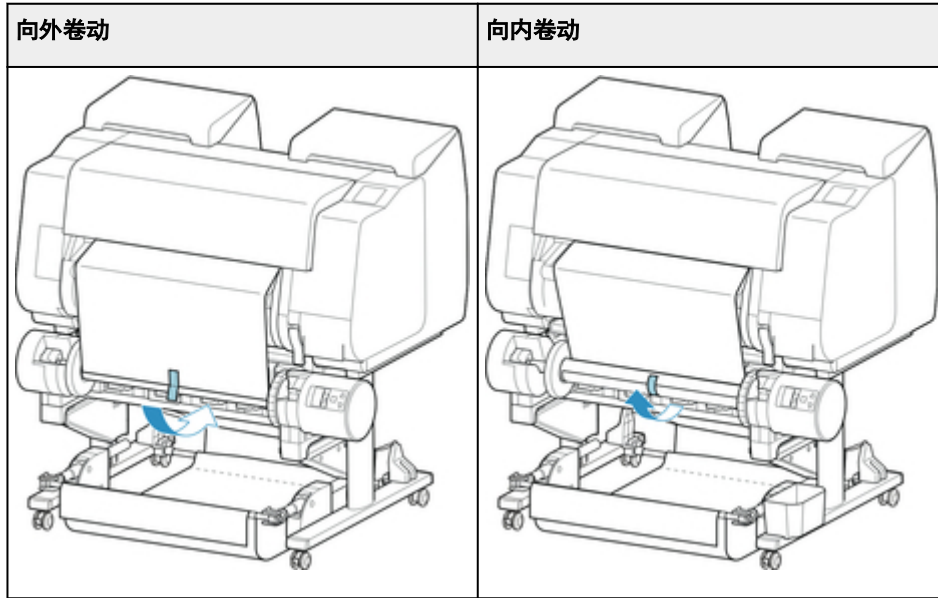
11. 按照以下步骤，使用胶带将卷纸的前端固定到纸管上。

- 如果触摸屏上显示确认是否自动进纸以便可以使用胶带固定纸张的信息

1. 点击是。

卷纸前端送入，直至其靠近卷纸单元。

2. 握住卷纸前端的中间位置，使右端与收纸卷轴的纸管右端对齐，均匀拉出卷纸，将卷纸中部粘贴到纸管上。

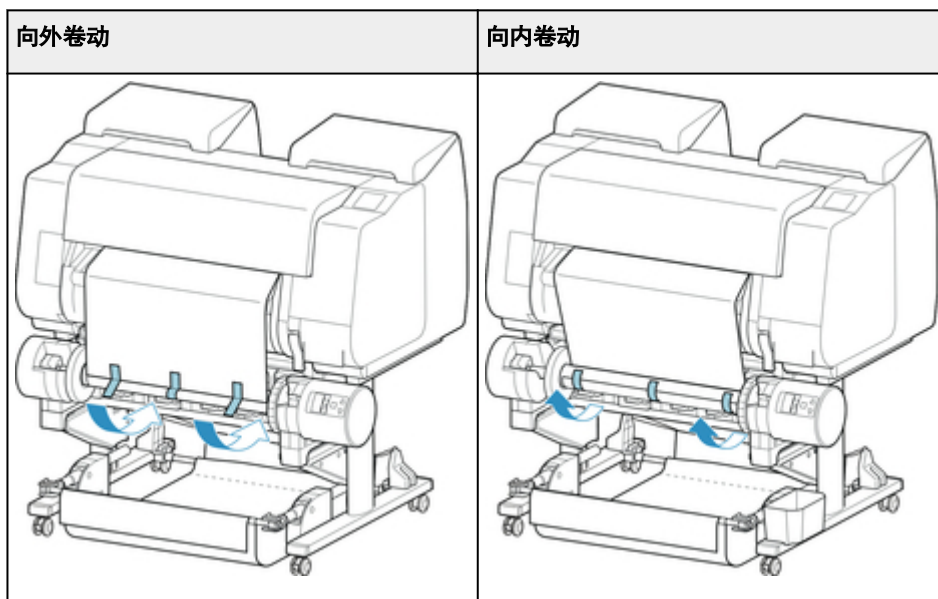


重要事项

- 如果向内卷动，必须将卷纸的前端穿过纸管的后部，然后用胶带固定。如果此操作不容易实现，还可以拆下卷纸支架，将卷纸推到后部，然后重新安装卷纸支架，使卷纸从纸管后部穿过。

3. 将卷纸右端对准纸管右端，同时均匀拉出卷纸，然后用胶带固定。

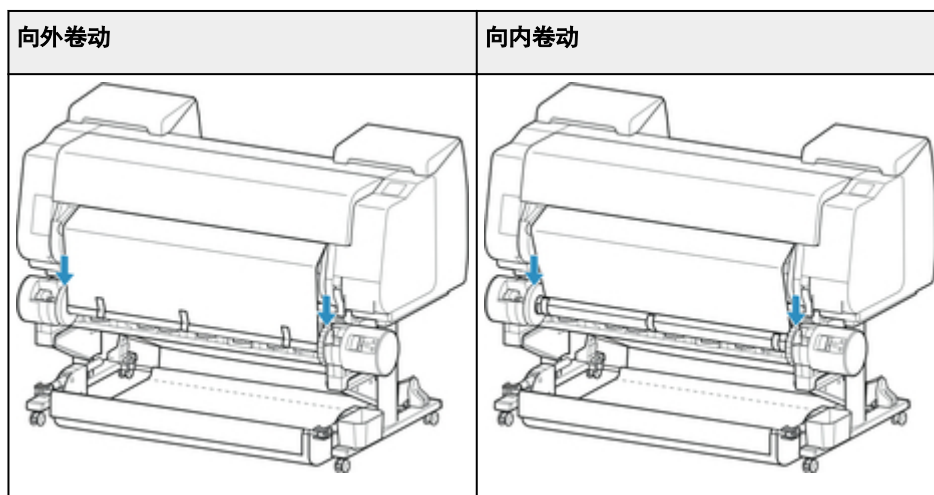
4. 确保卷纸平整的同时，用胶带将卷纸左端固定在纸管上。



重要事项

- 用胶带固定卷纸的左右边缘 50 毫米(1.97 英寸)以内，使卷纸的两端不会翘起。
- 卷取重磅纸时，请用黏着力强的胶带将其固定。否则可能导致卷取故障。
- 如果使用的纸管比要卷动的纸张窄，请调整支架止动器的位置，在支架止动器和纸张间留有空隙。

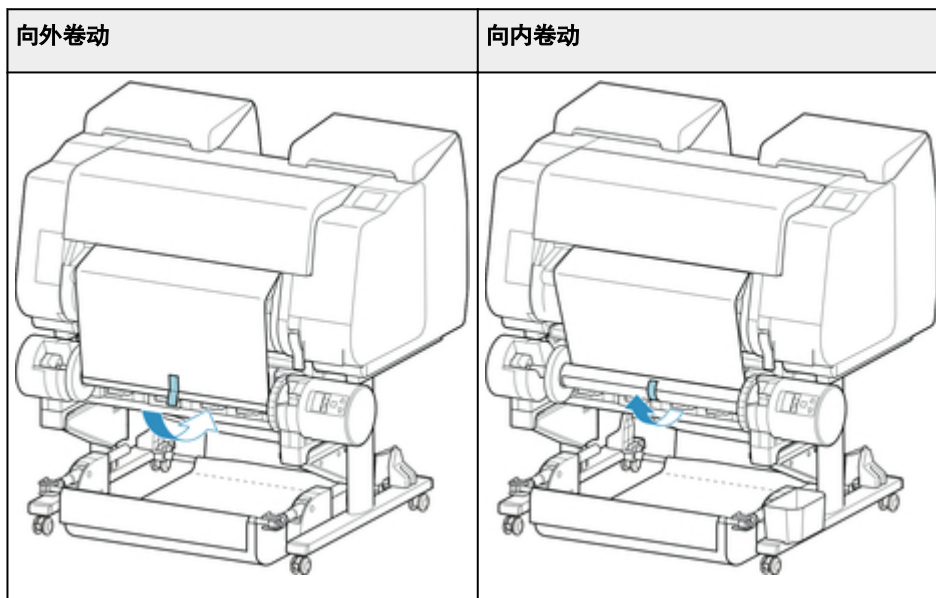
5. 确保纸管上卷纸前端未翘起，如果有地方翘起，请用胶带多固定几个位置以防止纸张翘起。
6. 向下按卷纸支架，确认卷纸支架没有翘起，然后点击 **OK**。



重要事项

- 如果卷纸支架翘起，可能会导致错误发生。

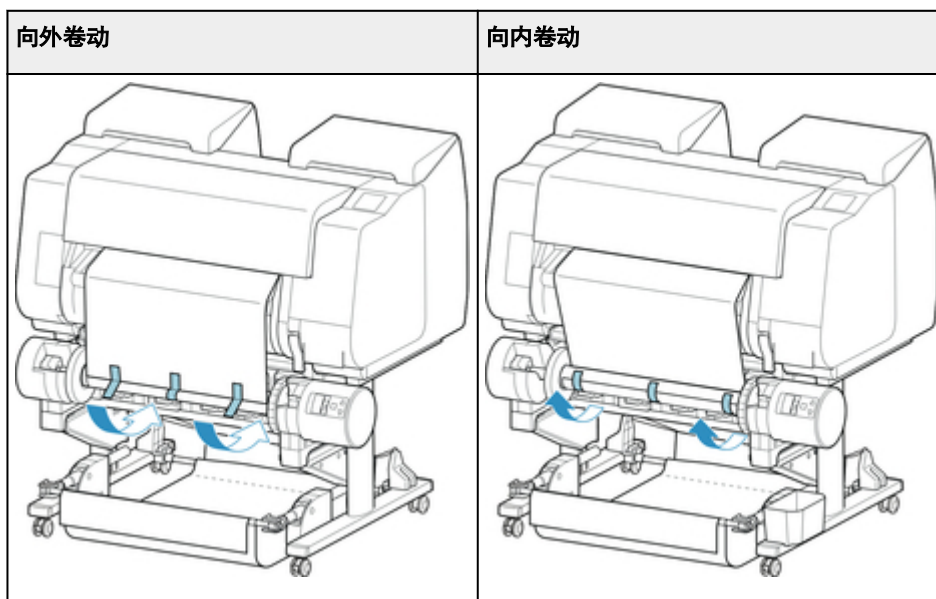
7. 开始卷取时要使操作稳定进行，用操作面板送入卷纸并使卷纸大约卷动一周。(请参见“[手动进给卷纸](#)”。)
 8. 再次向下按卷纸支架，确认卷纸支架没有翘起。
卷动准备完毕。开始打印卷纸时，卷纸可以自动卷动。
- 如果触摸屏上出现**打印准备就绪**。
 1. 手动送入卷纸(请参见“[手动进给卷纸](#)”。)或开始打印并等待卷纸前端进入卷纸单元。
 2. 握住卷纸前端的中间位置，使右端与收纸卷轴的纸管右端对齐，均匀拉出卷纸，将卷纸中部粘贴到纸管上。



重要事项

- 如果向内卷动，必须将卷纸的前端穿过纸管的后部，然后用胶带固定。如果此操作不容易实现，还可以拆下卷纸支架，将卷纸推到后部，然后重新安装卷纸支架，使卷纸从纸管后部穿过。

3. 将卷纸右端对准纸管右端，同时均匀拉出卷纸，然后用胶带固定。
4. 确保卷纸平整的同时，用胶带将卷纸左端固定在纸管上。

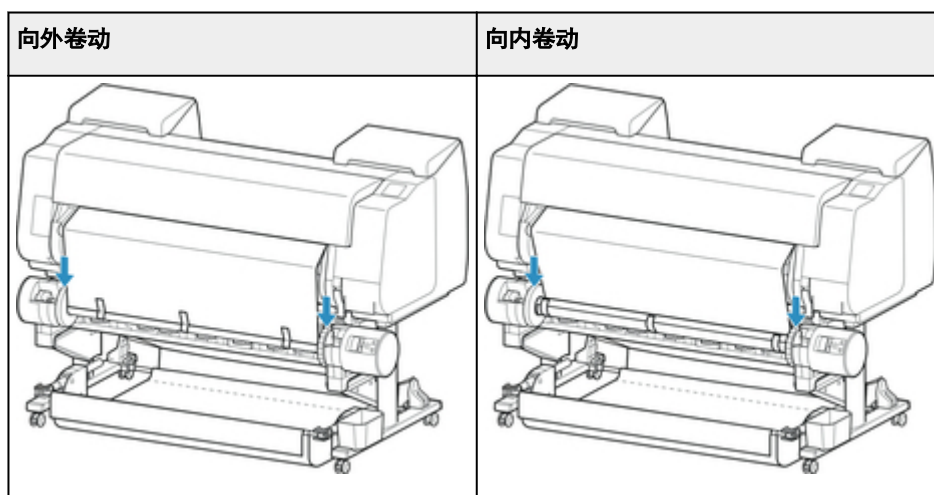


重要事项

- 用胶带固定卷纸的左右边缘 50 毫米(1.97 英寸)以内，使卷纸的两端不会翘起。
- 卷取重磅纸时，请用黏着力强的胶带将其固定。否则可能导致卷取故障。
- 如果使用的纸管比要卷动的纸张窄，请调整支架止动器的位置，在支架止动器和纸张间留有空隙。

5. 确保纸管上卷纸前端未翘起，如果有地方翘起，请用胶带多固定几个位置以防止纸张翘起。

6. 向下按卷纸支架并确认卷纸支架没有翘起。



重要事项

- 如果卷纸支架翘起，可能会导致错误发生。

7. 确保卷纸单元上的**向内/向外卷动切换**开关设置为所需方向，然后按**自动收纸/暂停**按钮。

此前一直亮起的**暂停**指示灯熄灭，**自动收纸**指示灯相应亮起。


卷动准备完毕。打印过程中卷纸开始卷动。在打印前，卷纸则在打印开始时开始卷动。

重要事项

- 向内卷动时，可以用手臂按住卷纸防止卷动的纸张松开。但是，这么做可能会在纸张上留下压痕。在这种情况下，点击介质信息显示区域的卷纸单元区域并将**纸张保留设置**设置为**解除保留**。

从卷纸单元上取下打印纸

►►► 注释

- 提前设置收纸模式并将裁切后卷起设置为启用时，通过依次点击纸张设置显示区域和区域，可以省略以下的步骤 6 和 7，因为在打印后剪切纸张时，将自动卷取下一张纸。但是，由于剪切纸张时卷纸将顶上滚轴，使用易损卷纸时务必小心。

1. 在触摸屏的主页屏幕上点击纸张设置显示区域。



►►► 重要事项

- 如果主页屏幕未显示，则点击主页按钮。

2. 点击区域。

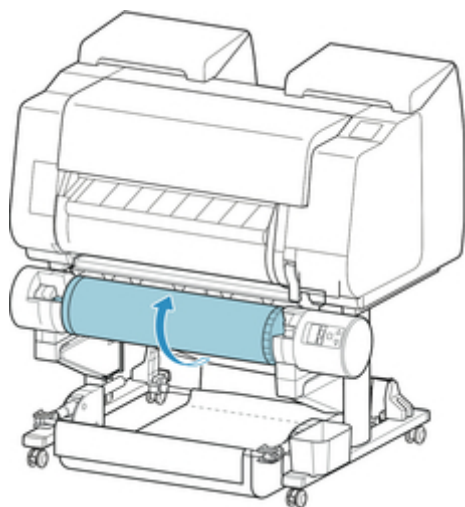


3. 点击**进纸/裁切**。
4. 点击**送纸**或**卷回**以稍微送入卷纸。
滚动方向设置为向外卷动时，应将卷纸走纸一周或更长以保护打印面。
5. 点击**裁切纸张**。
6. 在出纸导片和卷纸单元之间扶着打印纸，然后点击**是**。
卷纸切断。

重要事项

- 裁切卷纸时，应始终扶着打印纸。如果裁切时不扶着打印纸，纸张可能会掉落至地面并变脏。

7. 扶着打印纸末端时，按**收纸**或**卷回**按钮卷取打印纸。

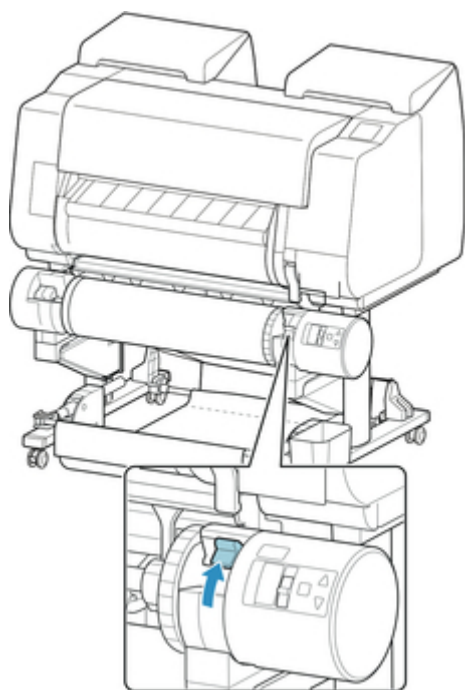


请根据需要用胶带等固定已卷完的纸张。

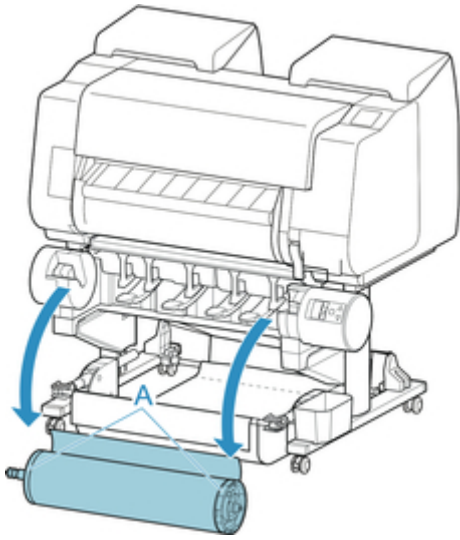
重要事项

- 请注意不要损伤打印面。

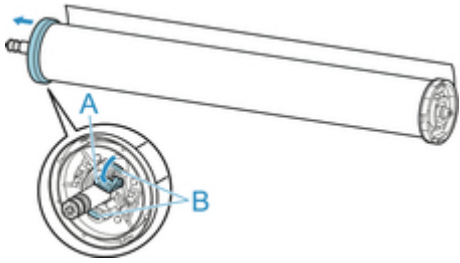
8. 将卷纸单元上的**卷纸支架锁定**开关拨到解锁位置。



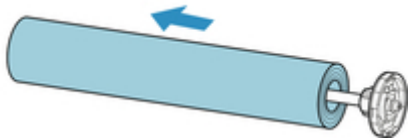
9. 握住卷纸支架的凸缘(A)，然后将其从卷纸单元中取出。



10. 向轴侧推动支架止动器杆(A)解除锁定，握住位置(B)将支架止动器从卷纸支架上拆下。



11. 从每个纸管的卷纸支架取下已卷取的打印材料。



从操作面板/Web 浏览器更改设置

▶ 操作和触摸屏

- 操作面板
- 触摸屏
- 查看说明进行操作

▶ 从操作面板更改设置

- 打印机菜单操作
- 菜单操作
- 菜单结构
- 从操作面板更改设置
- 操作面板上的设置项目
- 状态打印

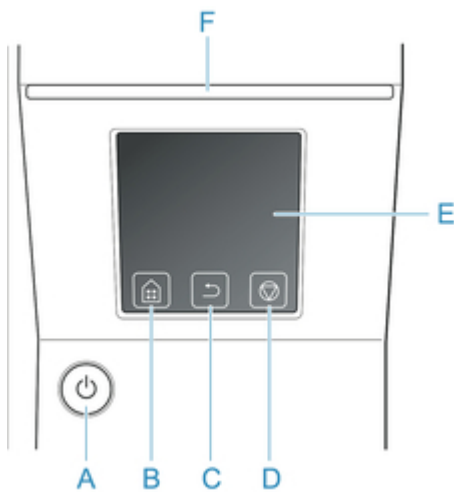
▶ 使用 Web 浏览器更改打印机的设置

- 使用 Web 浏览器更改设置
- 可使用 Web 浏览器更改的设置项目
- 设置密码
- 注册打印机根证书至 Web 浏览器
- 设置邮件服务器
- 通过电子邮件接收打印机状态

操作和触摸屏

- ➔ [操作面板](#)
- ➔ [触摸屏](#)
- ➔ [查看说明进行操作](#)

操作面板



A. 电源按钮/电源指示灯

开启和关闭打印机电源。

➔ [打开/关闭电源](#)

打印机开启或处于睡眠模式时，**电源**指示灯亮起。

B. 主页按钮

会出现主页屏幕。

➔ [触摸屏](#)

C. 返回按钮

显示现在显示着的画面的前一个画面。

D. 停止按钮

中止正在处理的作业或正在实行的墨水干燥。

E. 触摸屏

显示打印机菜单、打印机状态和信息。用指尖轻触屏幕，可以选择菜单项目和显示按钮。

➔ [触摸屏](#)

F. 状态指示灯

• 闪烁(白色)

正在打印时，表示正在接收或者正在处理打印作业。没有打印时，表示打印作业处于暂时停止状态或者正在接收固件的数据。

• 亮起(橘色)

表示正在显示警告提示信息。

• 闪烁(橘色)

表示正在显示错误提示信息。

• 关

没有打印作业、警告或错误。

注釋

- 打印机处于睡眠模式时，可以触摸触摸屏，使之从睡眠模式恢复。

触摸屏

打印机启动后，触摸屏上出现主页屏幕。

可以从主页屏幕查看打印机状态并选择维护、设置和其他菜单。向上向下滑动主页屏幕，选择显示位置。

➔ 基本触摸屏操作



A. 打印机信息显示区域

显示打印机状态、信息和其他信息。出现信息时点击此项，可在列表屏幕上查看信息并跳转至显示详细信息和操作的屏幕。

B. 墨水显示区域

显示墨水状态。点击此项可查看剩余墨水量和更换墨水盒的方法。

C. 纸张设置显示区域

显示各进纸位置的介质信息。点击此项可设置装入纸张的尺寸和类型。

D. 其他菜单项目

显示用于执行维护和进行多种设置的项目。

➔ 打印机菜单操作

基本触摸屏操作

用指尖轻触并滑动触摸屏，可以选择多种功能和设置。

➤➤➤ 重要事项

- 操作触摸屏时，请注意以下注意事项。否则，触摸屏可能故障或损坏。
 - 请勿用手指用力按压触摸屏。
 - 请勿用手指以外的物品按压触摸屏(如圆珠笔、铅笔、指甲或其他带有锐尖的物品)。
 - 如果手上沾水或脏污，请勿操作触摸屏。
 - 请勿将物品放置在触摸屏上。

- 请勿在触摸屏上黏贴保护膜。将其取下时可能会损坏触摸屏。

点击

用指尖轻触，然后放开。

在屏幕上选择项目时使用此操作。



触摸

用指尖轻触。

要转到(或返回)某一菜单或列表，触摸方向标记。



滑动

向上、向下、向左或向右拖动手指，然后松开。

使用此操作以快速滚动菜单或列表。



拖动

保持轻轻与触摸屏接触的同时，向上、向下、向左或向右移动手指。

使用此操作以移动菜单或列表同时进行查看。



通知信息

墨水不足或有其他通知时，打印机信息显示区域会出现**新通知**。点击此项可显示**通知列表**屏幕以查看信息，最新信息会显示在首位。点击信息以显示信息详情屏幕，可查看详情并进行操作。



查看说明进行操作

装入纸张、更换墨水盒或执行其他操作时可以参阅触摸屏上的说明。

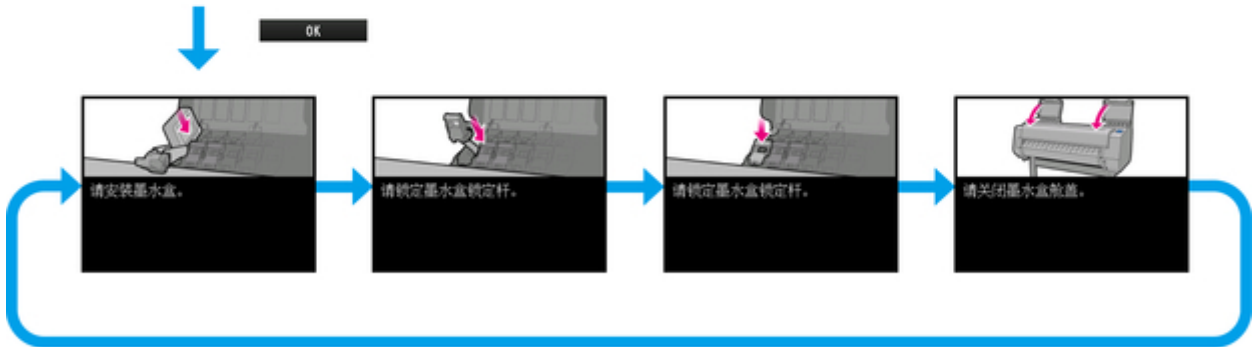
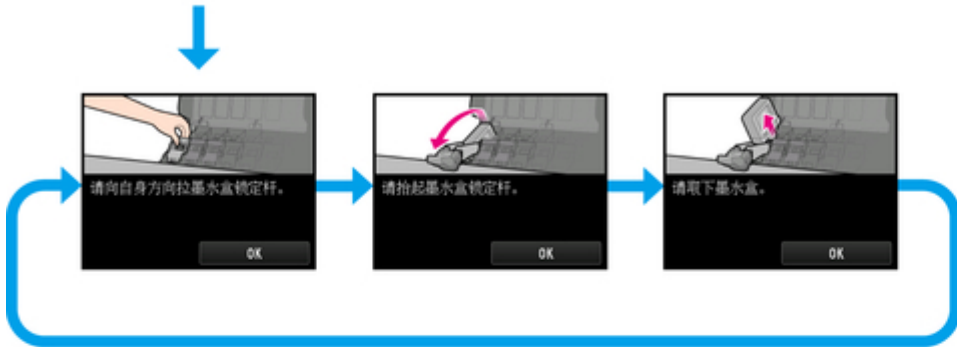
向导的使用方法

执行向导显示的操作，则打印机感应并转换到下个向导画面。

操作屏幕每 3 秒切换一次，各项操作会依次重复出现。

对于打印机无法检测的操作，点击 **OK** 以显示下一步的说明屏幕。

示例：墨水盒更换



从操作面板更改设置

- ▶ 打印机菜单操作
- ▶ 菜单操作
- ▶ 菜单结构
- ▶ 从操作面板更改设置
- ▶ 状态打印

打印机菜单操作

打印机菜单分为不执行任何打印作业时的可用常规菜单项目和仅在打印时可用的菜单项目。

滑动主页屏幕，然后点击该菜单可显示每个设置项目。

以下菜单可用。



1. 打印机状态

显示打印机状态和 LAN 连接状态。

2. 墨水状态

显示墨水状态。

3. 纸张信息

执行纸张设置。(执行打印作业时将变成灰色)

4. 维护

执行维护设置。(执行打印作业时将变成灰色)

5. 作业管理

执行作业管理设置。

6. 从 USB 闪存打印

打印 USB 闪存上的数据时执行打印设置。

7. LAN 设置

执行 LAN 设置。(执行打印作业时将变成灰色)

8. 设备设置

执行各种打印机设置。(执行打印作业时将变成灰色)

9. 打印机信息

显示各种打印机信息。

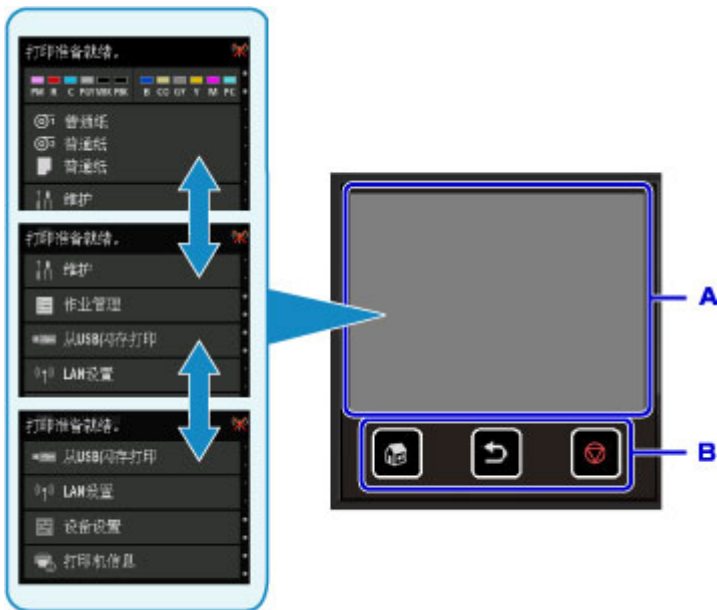
►► 注释

- 默认状态下，菜单设置会应用于所有打印作业。但是，对于在打印机驱动程序中同样存在的设置，优先使用打印机驱动程序中指定的值。

菜单操作

操作面板上有触摸屏(A)和按钮(B)。

触摸触摸屏中主页屏幕上的图标以选择菜单。



A. 触摸屏

B. 操作面板上的按钮

基本触摸屏操作

轻点触摸屏或使用其他手势以访问各项功能和设置。

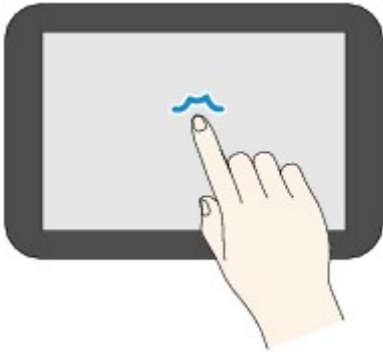
重要事项

- 请注意以下触摸屏注意事项以避免打印机故障或损坏。
 - 请勿用力接触触摸屏。
 - 请勿用手指以外的物品接触触摸屏，尤其是钢笔、铅笔或指甲等尖锐物。
 - 如果手上沾水或脏污，请勿触摸触摸屏。
 - 请勿将任何物品放置在触摸屏上。
- 请勿在触摸屏上粘贴屏幕保护膜。将其移除时可能会损坏触摸屏。

• 点击

用指尖短暂轻触。

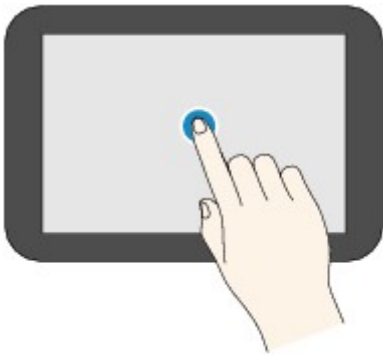
例如点击以选择屏幕上的项目。



- 触摸

用指尖触摸并轻按。

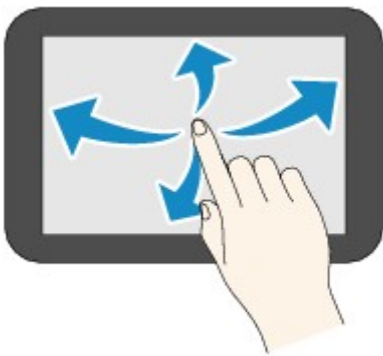
例如按住“前进”(或“后退”)图标以使菜单或列表连续前进或后退。



- 滑动

用手指在屏幕上向上、向下、向左或向右滑动。

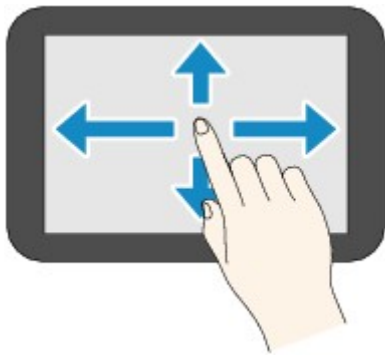
例如滑动以使菜单或列表前进或后退。



- 拖动

轻触屏幕的同时，向上、向下、向左或向右移动手指。

例如查看所列的项目或列表时，可以通过拖动来移动它们。



使用触摸屏示例

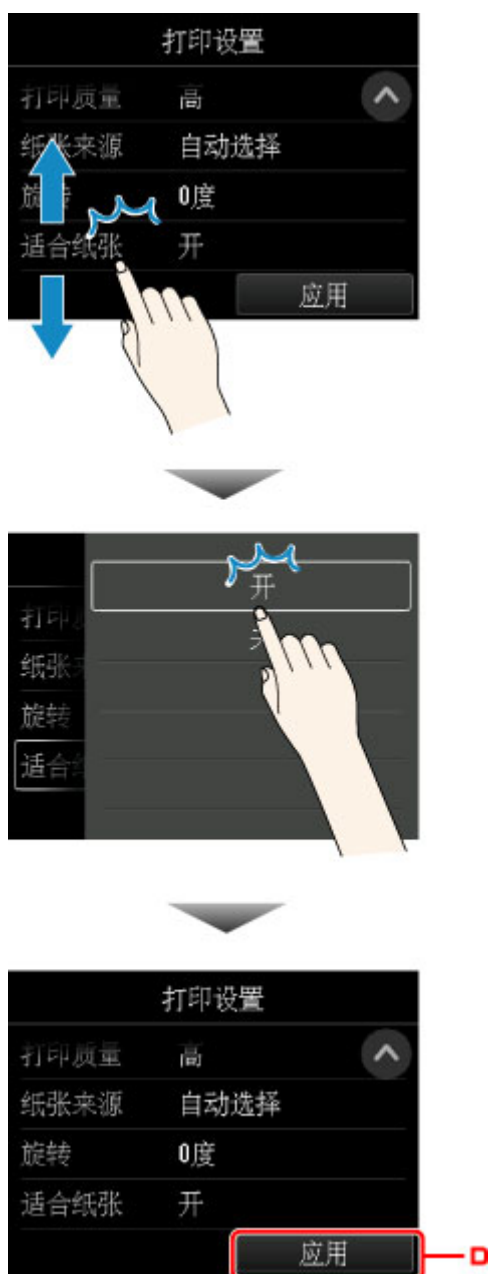
打印 USB 闪存上的数据时，可以使用这些触摸屏操作。



向上或向下拖动，然后点击以选择项目。



点击 A 会显示打印设置菜单。



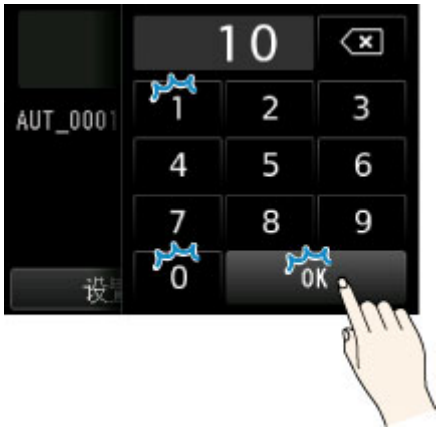
向上或向下拖动，然后点击以选择项目。

显示列表后，点击以选择设置。

点击 D 以确认设置。

点击 B 以显示选择份数的屏幕。

点击数字以指定复印份数，然后点击 **OK**。



点击 C 以显示预览屏幕。



触摸返回按钮以返回至上一屏幕。

菜单结构

- 墨水信息

当前估计墨水量
更换
立即订购墨水

- 纸张设置

卷纸 1	
	更换纸张
	进纸/裁切
	取出纸张
	纸张设置
	宽度/长度/类型/高级设置

卷纸 2	
	更换纸张
	进纸/裁切
	取出纸张
	卷纸单元用途设置
	纸张设置
	宽度/长度/类型/高级设置

收纸模式	
	卷纸单元用途设置
	自动供纸至收纸位置
	收纸时跳过错误
	开/关
	裁切后卷起
	启用/禁用
	纸张保留设置
	解除保留/保留

在收纸模式下使用	
	使用/不使用

手动	
更换纸张	
取出纸张	
纸张设置	
	页尺寸/类型/高级设置

• 维护

打印喷嘴检查图案

打印头清洗	
清洗	
	全部颜色/图案 1/图案 2/图案 3
深度清洗	
	全部颜色/图案 1/图案 2/图案 3
系统清洗	
	全部颜色/图案 1/图案 2/图案 3

打印头对齐	
自动(标准)	
	卷纸 1/卷纸 2/手动
自动(精细)	
	卷纸 1/卷纸 2/手动
手动	
	卷纸 1/卷纸 2/手动

进纸调整	
设置优先级	
卷纸 1	
	自动/优先打印质量/优先长度准确度

卷纸 2	
	自动/优先打印质量/优先长度准确度
手动	
	自动/优先打印质量/优先长度准确度
调整打印质量	
	自动/手动
调整进纸长度	
打印对齐图案	
	卷纸 1/卷纸 2/手动
更改调整值	

颜色校准	
自动调整	
	卷纸 1/卷纸 2/手动
启用/禁用调整值	
	启用/禁用
调整信息	
	卷纸 1/卷纸 2/手动
校准指南设置	
	启用/禁用
重置调整值	

保养墨盒信息	
	保养墨盒使用量
	更换

打印头更换

更换切刀刀片单元

压纸滚筒清洁

准备运输

	在室内同一楼层中移动
	向室内的其他楼层移动
	向户外运输

• 作业管理

打印作业	
	打印作业的列表
	删除/优先打印/解除保留

已保存的作业	
	作业箱列表
	作业列表
	删除/开始打印
	打印作业列表

作业历史记录	
	显示作业历史记录
	打印作业历史记录

暂停打印	
	启用
	禁用

• 从 USB 闪存打印

文件夹/文件列表	
	份数
	预览
	设置
	开始打印

• LAN 设置

更改 LAN	
	启用有线 LAN

	启用无线 LAN
	启用直接连接
	禁用 LAN

无线 LAN 设置	
	无电缆线设置
	标准设置
	WPS(单键方法)
	其他设置
	高级设置/WPS(PIN 编码方法)

• 设备设置

测试打印	
	打印喷嘴检查图案
	状态打印
	状态打印(管理员)
	打印 LAN 详细信息
	打印设置打印
	打印高级纸张设置
	打印作业历史记录
	打印菜单层次图

打印设置	
打印头可移动宽度设置	
	数据宽度/最大可移动宽度/纸张宽度
优先纸张尺寸	
	启用/禁用
PDF 打印设置	
打印质量设置	
	色彩模式
	单色/彩色

匹配方法	
	可感知(照片)/饱和度(海报)
打印质量	
	标准/高/最高
输入分辨率	
	600 dpi/300 dpi
纸张设置	
	纸张来源
	自动选择/卷纸(自动)/卷纸 1/卷纸 2/手动
	边距
	3mm/5mm
	旋转
	0 度/90 度
	适合纸张
	开/关
处理时显示	
	警告显示
	启用/禁用
JPEG 打印设置	
打印质量设置	
	色彩模式
	单色/彩色
匹配方法	
	可感知(照片)/饱和度(海报)
打印质量	
	标准/高/最高
输入分辨率	
	600 dpi/300 dpi
纸张设置	

		纸张来源
		自动选择/卷纸(自动)/卷纸 1/卷纸 2/手动
		边距
		3mm/5mm
		旋转
		0 度/90 度
		适合纸张
		开/关

从 USB 闪存打印的设置

色彩模式	
	单色/彩色
打印质量	
	标准/高/最高
纸张来源	
	自动选择/卷纸(自动)/卷纸 1/卷纸 2/手动
旋转	
	0 度/90 度
适合纸张	
	开/关

打印设置打印

LAN 设置

更改 LAN

启用有线 LAN

启用无线 LAN

启用直接连接

禁用 LAN

无线 LAN 设置

无电缆线设置

标准设置	
WPS(单键方法)	
其他设置	
	高级设置/WPS(PIN 编码方法)
确认 LAN 设置	
LAN 设置列表	
无线 LAN 设置列表	
直接连接设置列表	
打印 LAN 详细信息	
其他设置	
设置打印机名称	
TCP/IP 设置	
	IPv4
	IP 地址/DNS 服务器/代理服务器
	IPv6
	启用/禁用 IPv6/IPsec 设置/使用 DHCPv6/手动地址/DNS 服务器
WSD 设置	
启用/禁用 WSD	
	启用/禁用
优化入站 WSD	
	启用/禁用
超时设置	
	20 分钟/15 分钟/10 分钟/5 分钟/1 分钟
Bonjour 设置	
启用/禁用 Bonjour	
	启用/禁用
服务名称	
IEEE802.1X 设置	
	验证

不使用/TLS/TTLS/PEAP
EAP-TTLS 内部验证方法
MSCHAPv2/PAP
弱加密限制
限制/不限制
弱证书限制
限制/不限制
高级设置
用户 ID/用户名/密码/验证服务器名称
最后验证结果
SNTP 设置
客户端操作状态
启用/停用
NTP/SNTP 服务器地址
轮询间隔
跨树协议设置
启用/停用
LPR 协议设置
启用/禁用
RAW 协议
开/关
LLMNR
开/关
无线 LAN 间歇接收设置
启用/禁用
有线 LAN 间歇接收设置
启用/禁用
直接连接设置
更新 SSID/密码

直接连接的设备名称
确认连接请求
是/否
重置 SSL 证书
重置 LAN 设置

纸张相关设置	
管理剩余卷纸量	
启用/禁用	
卷纸自动转换	
识别尺寸/不识别尺寸	
保留介质类型	
启用/禁用	
检测纸张设置不匹配	
暂停/显示警告/不检测/保留作业	
纸张保留设置	
解除保留/保留	
高级纸张设置	
纸张尺寸识别设置	
单页纸设置 1/单页纸设置 2/卷纸设置 1/卷纸设置 2	
调整卷纸单元	
打印高级纸张设置	
重置全部纸张的纸张设置	

自动维护设置	
自动喷嘴检查	
	标准/1 页/10 页/禁用
喷嘴检查错误显示	
	启用/禁用
系统清洗间隔	

	标准/短
更换新打印头后打印图案	
	开/关

硬盘设置	
输出方法	
	打印/打印(自动删除)/保存至作业箱
先保存再打印	
	开/关
通用作业箱设置	
	打印/打印(自动删除)
数据删除	
	快速/快速安全/安全

监控服务设置	
启用/禁用监控服务	
	启用/禁用
通信测试	
	是/否
通信记录	

设备用户设置	
节能设置	
自动电源关闭	
	5分钟/10分/30分钟/1小时/4小时/8小时/12小时/关
睡眠定时器	
	5分钟/10分/15分钟/20分/30分钟/40分/50分/60分钟/210分
操作限制	
作业历史记录	
	限制/不限制
远程用户界面	

	限制/不限制
从 USB 闪存打印	
	限制/不限制
使用 USB 连接	
	使用/不使用
日期/时间设置	
日期显示格式	
	年/月/日 / 月/日/年 / 日/月/年
时区(GMT)	
	0/+1/+2/+3/+4/+5/+6/+7/+8/+9/+10/+11/+12/-12/-11/-10/-9/-8/-7/-6/-5/-4/-3/-2/-1
长度单位设置	
	米/英尺/英寸
蜂鸣器设置	
	启用/禁用
EOP 定时器设置	
	10 秒/30 秒/1 分钟/2 分钟/5 分钟/10 分钟/30 分钟/60 分钟
作业历史记录的发送设置	
	发送/不发送
语言选择	
管理员密码设置	
	远程用户界面或其他工具/LCD、远程用户界面或其他工具

• 打印机信息

系统信息	
硬盘信息	
错误历史记录	
	硬件错误
	可恢复的错误

使用记录

打印头信息

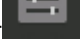
打印头对齐执行记录

自动设置时应用的值

从操作面板更改设置

本节以指定打印头可移动宽度设置的步骤为例，描述在设备设置屏幕中更改设置的步骤。

1. [确保打印机已开启。](#)

2. 滑动主页屏幕，然后单击  设备设置。

■ 菜单操作

出现设备设置屏幕。

3. 点击要调整的设置项目。



出现所选项目的设置屏幕。

4. 点击设置项目。



5. 点击要指定的设置。



有关操作面板上设置项目的更多信息，请参见：

■ [操作面板上的设置项目](#)

操作面板上的设置项目

►► 注释

- 如果已启用使用操作面板更改设置，则更改某些设置项目需要管理员密码。

有关需要管理员密码的设置项目的更多信息：

- [在操作面板上设置管理员密码](#)

针对安全性的项目

- [管理员密码设置](#)

针对打印机的项目

- [设备用户设置](#)
- [硬盘设置](#)
- [语言选择](#)

针对纸张/打印的项目

- [纸张相关设置](#)
- [打印设置](#)

针对维护/管理的项目

- [作业管理](#)
- [打印机信息](#)
- [测试打印](#)
- [LAN 设置](#)
- [自动维护设置](#)
- [特殊管理模式](#)

作业管理

从主页屏幕中选择该设置项目。

- **打印作业**

显示打印作业列表。 点击作业可显示详细信息。 还可以在此菜单上删除或抢占作业。

- **已保存的作业**

显示已保存打印作业的列表。 可以打印每个保存箱内的作业列表。

»» 注释

- 如果为个人作业箱启用了密码，请使用远程用户界面输入密码。

- **作业历史记录**

»» 重要事项

- 如果使用操作面板更改设置时启用了管理员密码，则显示作业历史记录时需要该密码。

- **显示作业历史记录**

显示打印作业历史记录。 点击打印作业可显示详细信息。

- **打印作业历史记录**

打印出打印作业历史记录。

- **暂停打印**

执行打印作业时选择**启用**可在当前作业完成后暂停打印作业。

测试打印

从**设备设置**中选择此设置项目。

- **打印喷嘴检查图案**

打印出喷嘴检查图案。

- [检查喷嘴是否堵塞](#)

- **状态打印**

打印出打印机状态和设置值信息。

- [状态打印](#)

- **打印 LAN 详细信息**

打印出网络信息列表。

- [打印网络设置](#)

- **打印设置打印**

打印出打印设置列表。

- **打印高级纸张设置**

打印出**高级纸张设置**指定的设置值。

- **打印作业历史记录**

打印出打印作业记录，包括纸张类型和尺寸，墨水使用量等信息。墨水使用量指的是每份打印作业墨水使用量的粗略估算。

- [作业管理](#)

- **打印菜单层次图**

打印出菜单列表。

打印设置

从**设备设置**中选择此设置项目。

- **打印头可移动宽度设置**

调整打印头可移动宽度。

- **优先纸张尺寸**

选择**启用**以使用纸张尺寸设置作为基础进行打印，而不使用其他设置。不打印边距中的文本或图像。

选择**禁用**以优先打印文本或图像。

»» 注释

- 已打印纸张的长度比实际纸张的长度长。这是因为打印的纸张包括在打印机驱动程序的**卷纸的安全边距**和**前端边距**中指定的上下页边距并排除了纸张边距。

- **PDF 打印设置**

执行 PDF 打印设置。

- **JPEG 打印设置**

执行 JPEG 打印设置。

- **从 USB 闪存打印的设置**

进行有关打印 USB 闪存上保存的数据的设置。

- [使用操作面板设置打印项目](#)

- **打印设置打印**

打印出打印设置列表。

LAN 设置

从**设备设置**中选择此设置项目。

重要事项

- 如果已启用使用操作面板更改设置，则更改设置需要管理员密码。

更改 LAN

启用无线 LAN、有线 LAN 或直接连接。也可以全部禁用。

无线 LAN 设置

选择用于无线 LAN 连接的设置方法。

注释

- 也可以通过选择主页屏幕上的 **LAN 设置** 进入此设置菜单。在这种情况下，请启用无线 LAN。

无电缆线设置

如果不操作无线路由器而从设备(例如智能手机或平板电脑)直接对打印机进行访问点信息设置，请选择此项。按照连接设备屏幕上的说明执行设置步骤。

标准设置

使用打印机上的操作面板手动执行无线 LAN 设置时选择该方法。

WPS(单键方法)

使用支持 Wi-Fi Protected Setup(WPS)单键方法的无线路由器执行无线 LAN 的设置时选择该方法。设置时请按照屏幕上的说明进行操作。

其他设置

高级设置

手动执行无线 LAN 设置时选择该方法。可以指定多个 WEP 密钥。

WPS(PIN 编码方法)

使用支持 Wi-Fi Protected Setup(WPS)PIN 编码方法的无线路由器执行无线 LAN 的设置时选择该方法。设置时请按照屏幕上的说明进行操作。

确认 LAN 设置

打印机的无线/有线 LAN 设置列表或直接连接列表显示在触摸屏上。

有关打印输出打印机网络设置的更多信息，请参阅：

打印网络设置

重要事项

- 此网络设置打印输出包含关于网络的重要信息。请小心处理。

LAN 设置列表

打印机的有线 LAN 设置列表显示在触摸屏上。

显示以下设置项目。(根据打印机设置，某些设置项目不会显示。)

项目	设置
----	----

连接	已连接/未连接
IPv4 地址	XXX. XXX. XXX. XXX(12 个字符)
IPv4 子网掩码	XXX. XXX. XXX. XXX(12 个字符)
IPv4 默认网关	XXX. XXX. XXX. XXX(12 个字符)
IPv4 DNS 动态设置	已连接/未连接
IPv4 DNS 主机名称	XXXXXXXXXXXXXX
IPv4 DNS 域名	XXXXXXXXXXXXXX
IPv6 地址	XXXX: XXXX: XXXX: XXXX: XXXX: XXXX: XXXX: XXXX(32 个字符)
IPv6 默认网关	XXXX: XXXX: XXXX: XXXX: XXXX: XXXX: XXXX: XXXX(32 个字符)
IPv6 子网前缀长度	XXX(最多 3 位数字)
IPv6 本地链路地址	XXXX: XXXX: XXXX: XXXX: XXXX: XXXX: XXXX: XXXX(32 个字符)
IPv6 本地链路前缀长度	XXX(最多 3 位数字)
IPv6 手动地址	XXXX: XXXX: XXXX: XXXX: XXXX: XXXX: XXXX: XXXX(32 个字符)
IPv6 手动前缀长度	XXX(最多 3 位数字)
IPv6 无状态地址 1	XXXX: XXXX: XXXX: XXXX: XXXX: XXXX: XXXX: XXXX(32 个字符)
IPv6 无状态前缀长度 1	XXX(最多 3 位数字)
IPv6 无状态地址 2	XXXX: XXXX: XXXX: XXXX: XXXX: XXXX: XXXX: XXXX(32 个字符)
IPv6 无状态前缀长度 2	XXX(最多 3 位数字)
IPv6 无状态地址 3	XXXX: XXXX: XXXX: XXXX: XXXX: XXXX: XXXX: XXXX(32 个字符)
IPv6 无状态前缀长度 3	XXX(最多 3 位数字)
IPv6 无状态地址 4	XXXX: XXXX: XXXX: XXXX: XXXX: XXXX: XXXX: XXXX(32 个字符)
IPv6 无状态前缀长度 4	XXX(最多 3 位数字)
IPv6 默认网关 1	XXXX: XXXX: XXXX: XXXX: XXXX: XXXX: XXXX: XXXX(32 个字符)

IPv6 默认网关 2	XXXX: XXXX: XXXX: XXXX: XXXX: XXXX: XXXX: XXXX(32 个字符)
IPv6 默认网关 3	XXXX: XXXX: XXXX: XXXX: XXXX: XXXX: XXXX: XXXX(32 个字符)
IPv6 默认网关 4	XXXX: XXXX: XXXX: XXXX: XXXX: XXXX: XXXX: XXXX(32 个字符)
DHCPv6	已连接/未连接
DHCPv6 有状态地址	XXXXXXXXXXXXXX
DHCPv6 有状态前缀长度	XXX(最多 3 位数字)
IPv6 主 DNS 服务器地址	XXXXXXXXXXXXXX
IPv6 辅助 DNS 服务器地址	XXXXXXXXXXXXXX
IPv6 DNS 动态更新: 手动	已连接/未连接
IPv6 DNS 动态更新: 无状态	已连接/未连接
IPv6 DNS 动态更新: 有状态	已连接/未连接
IPv6: 使用 IPv4 主机/域名	已连接/未连接
IPv6 DNS 主机名称	XXXXXXXXXXXXXX
IPv6 DNS 域名	XXXXXXXXXXXXXX
MAC 地址	XX:XX:XX:XX:XX:XX(12 个字符)
IPsec 设置	启用(ESP)/启用(ESP & AH)/启用(AH)/禁用
预共享密钥	XXXXXXXXXXXXXXXXXXXX(16 个字符)
验证	TLS/TTLS/PEAP/TTLS/PEAP/EAP-TTLS 内部验证方法/MSCHAPv2/PAP/不使用
EAP-TTLS 内部验证方法	MSCHAPv2/PAP
弱加密限制	限制/不限制
弱证书限制	限制/不限制
验证服务器名称	XXXXXXXXXXXXXX
客户端操作状态	XXXXXXXXXXXXXX
NTP/SNTP 服务器地址	XXXXXXXXXXXXXX
轮询间隔	XXXXXXXXXXXXXX
跨树协议设置	XXXXXXXXXXXXXX
打印机名称	XXXXXXXXXXXXXXXXXXXX(最多 15 个字符)

Bonjour 服务名称	XXXXXXXXXXXXXXXXXX XXXXXXXXXXXXXXXXXX XXXXXXXXXXXXXXXXXX XXXXXXXXXXXXXXXXXX(最多 52 个字符)
根证书指纹(SHA-1)	XXXXXXXXXX XXXXXXXXXXXX XXXXXXXXXXXX XXXXXXXXXX XXXXXXXXXXXX
根证书指纹(SHA-256)	XXXXXXXXXX XXXXXXXXXXXX XXXXXXXXXXXX XXXXXXXXXXXX XXXXXXXXXX XXXXXXXXXXXX XXXXXXXXXXXX XXXXXXXXXXXX

(“XX”表示字母数字字符。)

。无线 LAN 设置列表

打印机的无线 LAN 设置列表显示在触摸屏上。

显示以下设置项目。(根据打印机设置,某些设置项目不会显示。)

项目	设置
连接	已连接/未连接
SSID	XXXXXXXXXXXXXXXXXXXX XXXXXXXXXXXXXXXXXXXX(最多 32 个字符)
通信模式	基础结构
通道	XX(最多 2 位数字)
无线 LAN 安全	未连接/WEP(64 位)/WEP(128 位)/WPA-PSK(TKIP)/WPA-PSK(AES)/WPA2-PSK(TKIP)/WPA2-PSK(AES)
IPv4 地址	XXX. XXX. XXX. XXX(12 个字符)
IPv4 子网掩码	XXX. XXX. XXX. XXX(12 个字符)
IPv4 默认网关	XXX. XXX. XXX. XXX(12 个字符)
IPv4 DNS 动态设置	已连接/未连接
IPv4 DNS 主机名称	XXXXXXXXXXXXXXXXXX
IPv4 DNS 域名	XXXXXXXXXXXXXXXXXX
IPv6 地址	XXXX: XXXX: XXXX: XXXX: XXXX: XXXX: XXXX: XXXX(32 个字符)
IPv6 默认网关	XXXX: XXXX: XXXX: XXXX: XXXX: XXXX: XXXX: XXXX(32 个字符)
IPv6 子网前缀长度	XXX(最多 3 位数字)
IPv6 本地链路地址	XXXX: XXXX: XXXX: XXXX: XXXX: XXXX: XXXX: XXXX(32 个字符)
IPv6 本地链路前缀长度	XXX(最多 3 位数字)

IPv6 手动地址	XXXX: XXXX: XXXX: XXXX: XXXX: XXXX: XXXX: XXXX(32 个字符)
IPv6 手动前缀长度	XXX(最多 3 位数字)
IPv6 无状态地址 1	XXXX: XXXX: XXXX: XXXX: XXXX: XXXX: XXXX: XXXX(32 个字符)
IPv6 无状态前缀长度 1	XXX(最多 3 位数字)
IPv6 无状态地址 2	XXXX: XXXX: XXXX: XXXX: XXXX: XXXX: XXXX: XXXX(32 个字符)
IPv6 无状态前缀长度 2	XXX(最多 3 位数字)
IPv6 无状态地址 3	XXXX: XXXX: XXXX: XXXX: XXXX: XXXX: XXXX: XXXX(32 个字符)
IPv6 无状态前缀长度 3	XXX(最多 3 位数字)
IPv6 无状态地址 4	XXXX: XXXX: XXXX: XXXX: XXXX: XXXX: XXXX: XXXX(32 个字符)
IPv6 无状态前缀长度 4	XXX(最多 3 位数字)
IPv6 默认网关 1	XXXX: XXXX: XXXX: XXXX: XXXX: XXXX: XXXX: XXXX(32 个字符)
IPv6 默认网关 2	XXXX: XXXX: XXXX: XXXX: XXXX: XXXX: XXXX: XXXX(32 个字符)
IPv6 默认网关 3	XXXX: XXXX: XXXX: XXXX: XXXX: XXXX: XXXX: XXXX(32 个字符)
IPv6 默认网关 4	XXXX: XXXX: XXXX: XXXX: XXXX: XXXX: XXXX: XXXX(32 个字符)
DHCPv6	已连接/未连接
DHCPv6 有状态地址	XXXXXXXXXXXXXXXX
DHCPv6 有状态前缀长度	XXX(最多 3 位数字)
IPv6 主 DNS 服务器地址	XXXXXXXXXXXXXXXX
IPv6 辅助 DNS 服务器地址	XXXXXXXXXXXXXXXX
IPv6 DNS 动态更新: 手动	已连接/未连接
IPv6 DNS 动态更新: 无状态	已连接/未连接
IPv6 DNS 动态更新: 有状态	已连接/未连接
IPv6: 使用 IPv4 主机/域名	已连接/未连接
IPv6 DNS 主机名称	XXXXXXXXXXXXXXXX

IPv6 DNS 域名	XXXXXXXXXXXXXX
MAC 地址	XX:XX:XX:XX:XX:XX(12 个字符)
IPsec 设置	启用(ESP)/启用(ESP & AH)/启用(AH)/禁用
预共享密钥	XXXXXXXXXXXXXXXXXX(16 个字符)
客户端操作状态	XXXXXXXXXXXXXX
NTP/SNTP 服务器地址	XXXXXXXXXXXXXX
轮询间隔	XXXXXXXXXXXXXX
打印机名称	XXXXXXXXXXXXXXXXXX(最多 15 个字符)
Bonjour 服务名称	XXXXXXXXXXXXXX XXXXXXXXXXXXXX XXXXXXXXXXXXXX XXXXXXXXXXXXXX(最多 52 个字符)
根证书指纹(SHA-1)	XXXXXXXX XX XX XX XXXXXXXX XX XX XX
根证书指纹(SHA-256)	XXXXXXXX XX XX XX XX XX XX XXXXXXXX XX XX XX XX XX XX

(“XX”表示字母数字字符。)

。直接连接设置列表

打印机的直接连接设置列表显示在触摸屏上。

显示以下设置项目。(根据打印机设置,某些设置项目不会显示。)

项目	设置
连接	已连接/未连接
SSID	DIRECT-XXXX-XXXXXXseries
密码	XXXXXXXXXX(10 个字符)
通信模式	直接连接
通道	3
无线 LAN 安全	WPA2-PSK(AES)
IPv4 地址	XXX. XXX. XXX. XXX(12 个字符)
IPv4 子网掩码	XXX. XXX. XXX. XXX(12 个字符)
IPv4 默认网关	XXX. XXX. XXX. XXX(12 个字符)
IPv4 DNS 动态设置	已连接/未连接
IPv4 DNS 主机名称	XXXXXXXXXXXXXX

IPv4 DNS 域名	XXXXXXXXXXXX
IPv6 地址	XXXX: XXXX: XXXX: XXXX: XXXX: XXXX: XXXX: XXXX(32 个字符)
IPv6 默认网关	XXXX: XXXX: XXXX: XXXX: XXXX: XXXX: XXXX: XXXX(32 个字符)
IPv6 子网前缀长度	XXX(最多 3 位数字)
IPv6 本地链路地址	XXXX: XXXX: XXXX: XXXX: XXXX: XXXX: XXXX: XXXX(32 个字符)
IPv6 本地链路前缀长度	XXX(最多 3 位数字)
MAC 地址	XX:XX:XX:XX:XX:XX(12 个字符)
IPsec 设置	启用(ESP)/启用(ESP & AH)/启用(AH)/禁用
预共享密钥	XXXXXXXXXXXXXXXXXXXX(16 个字符)
打印机名称	XXXXXXXXXXXXXXXXXXXX(最多 15 个字符)
Bonjour 服务名称	XXXXXXXXXXXX XXXXXXXXXXXX XXXXXXXXXXXX XXXXXXXXXXXX(最多 52 个字符)
直接连接的设备名称	XXXXXX-XXXXXXseries
根证书指纹(SHA-1)	XXXXXXXX XXXXXXXX XXXXXXXX XXXXXXXX XXXXXXXX
根证书指纹(SHA-256)	XXXXXXXX XXXXXXXX XXXXXXXX XXXXXXXX XXXXXXXX XXXXXXXX XXXXXXXX XXXXXXXX

(“XX”表示字母数字字符。)

• 其他设置

▶▶▶ 重要事项

- 将更改 LAN 选择为禁用 LAN 时，无法选择以下项目。

◦ 设置打印机名称

指定打印机名称。该名称最多可以使用 15 个字符。

▶▶▶ 注释

- 不能使用与 LAN 连接的其他设备已使用的打印机名称相同的名称。
- 不能使用连字符作为打印机名称的首字符或最后一个字符。

◦ TCP/IP 设置

执行 IPv4 或 IPv6 设置。

◦ WSD 设置

在使用 WSD(Windows 10、Windows 8.1、Windows 8、Windows 7 和 Windows Vista 环境下支持的网络协议之一)时设置项目。

■ 启用/禁用 WSD

选择启用或禁用 WSD。

▶▶▶ 注释

- 启用此设置时，Windows 10、Windows 8.1、Windows 8、Windows 7 和 Windows Vista 环境下的网络浏览器上会显示打印机图标。

■ 优化入站 WSD

选择**启用**可以更快地接收 WSD 打印数据。

■ 超时设置

指定超时时间。

◦ Bonjour 设置

使用 Mac OS 的 Bonjour 设置 LAN 项目。

■ 启用/禁用 Bonjour

选择**启用**可以使用 Bonjour 执行网络设置。

■ 服务名称

指定 Bonjour 服务名称。该名称最多可以使用 48 个字符。

▶▶▶ 注释

- 不能使用与 LAN 连接的其他设备已使用的服务名称相同的名称。

◦ IEEE802.1X 设置

为 IEEE802.1.X 执行各项设置。

◦ SNTP 设置

为 SNTP (简单网络时间协议)执行各项设置。

◦ 跨树协议设置

启用/禁用跨越树。选择**启用**可避免数据流通到网络。

◦ LPR 协议设置

启用/禁用 LPR 设置。

◦ RAW 协议

启用/禁用 RAW 打印。

◦ LLMNR

启用/禁用 LLMNR(链路本地多播名称解析)。选择**启用**可使打印机通过打印机名称检测到打印机的 IP 地址，而无需 DNS 服务器。

◦ 无线 LAN 间歇接收设置

使用无线 LAN 时，选择**启用**可以激活间歇接收。

◦ 有线 LAN 间歇接收设置

将打印机连接至与有线 LAN 兼容的设备时，选择**启用**可以激活间歇接收。

- **直接连接设置**

连接设备到打印机时，可使用设置项目。

▶▶▶ 重要事项

- 仅当**更改 LAN** 选择为**启用直接连接**时，才可以选择这些设置项目。

- **更新 SSID/密码**

- 选择**是**更新直接连接的标识符(SSID)和密码。

- **直接连接的设备名称**

更改兼容 Wi-Fi Direct 的设备上显示的打印机名称。

- **确认连接请求**

兼容 Wi-Fi Direct 的设备连接打印机时，选择**是**将显示确认屏幕。

- [通过无线 LAN 将智能手机/平板电脑直接连接到打印机\(直接连接\)](#)

- **重置 LAN 设置**

初始化打印机上的网络设置。

重置后，根据需要重新执行设置。

设备用户设置

从**设备设置**中选择此设置项目。

重要事项

- 如果已启用使用操作面板更改设置，则更改设置需要管理员密码。

• 节能设置

要节省电量，请启用该设置以在经过指定时长后自动关闭打印机或进入睡眠模式。

◦ 自动电源关闭

设置打印机自动关闭前的时间。进入睡眠模式后，如果在指定时间内未对打印机执行操作，则打印机将自动关闭。

◦ 睡眠定时器

指定在多长时间未执行操作时自动进入睡眠模式。

• 操作限制

限制以下操作。

◦ 作业历史记录

对打印作业历史记录的显示进行限制。

◦ 远程用户界面

对远程用户界面的使用进行限制。

◦ 从 USB 闪存打印

对 USB 闪存上数据的打印进行限制。

• 使用 USB 连接

启用/禁用 USB 连接。

• 日期/时间设置

设置当前的日期和时间。

• 日期显示格式

设置触摸屏上显示的以及照片上打印的日期格式。

• 时区(GMT)

根据所居住的国家或地区指定时区。

指定时区可在通过邮件软件发送电子邮件时显示正确的时间和日期。

根据所居住的国家或地区选择与 GMT(格林威治标准时间)的时差。

• 长度单位设置

选择长度单位(米或英尺/英寸)。

• 蜂鸣器设置

选择**启用**后，打印机在警告时哔声 1 次，在发生错误时哔声 3 次。

- **EOP 定时器设置**

指定取消打印机不能接收的打印作业之前所经过的时间。

- **作业历史记录的发送设置**

选择发送后，打印机会发送作业历史记录工具。

语言选择

从**设备设置**中选择此设置项目。

重要事项

- 如果已启用使用操作面板更改设置，则更改设置需要管理员密码。

更改触摸屏上信息和菜单的语言。

纸张相关设置

从**设备设置**中选择此设置项目。

- **管理剩余卷纸量**

选择**开**，以在取下卷纸之前在卷纸末端打印条形码。可以使用打印的条形码管理卷纸的剩余量。如果不希望打印条形码，请选择**关**。

- **卷纸自动转换**

启用/禁用该选项后，可通过检测纸张尺寸来转换卷纸供纸位置。

- **保留介质类型**

选择**启用**以保持使用相同类型的纸张。

- **检测纸张设置不匹配**

选择以不同于注册的纸张尺寸、介质类型和打印设置开始打印时的打印机行为。

- **纸张保留设置**

选择送纸时卷轴和卷轴压区是否接触。

如果选择**解除保留**，卷轴和卷轴压区将不接触，并且可以手动送纸。如果选择**保留**，卷轴将和卷轴压区接触，并且会启用自动送纸。选择**解除保留**将不允许自动切换卷纸的纸张来源(上行或下行)。

- **高级纸张设置**

为每个供纸位置指定高级纸张设置。

▶▶▶ 重要事项

- 可以为某些纸张类型选择**无边距打印的扩展量**作为设置项目。

如果为此设置项目的**宽度充足的纸张**选择了小，纸张上会留下一个细长的边框。此外，纸张可能出现多余墨水的污迹。

- **纸张尺寸识别设置**

选择启用纸张尺寸检测时偏好的尺寸。

- **单页纸设置 1**

选择检测到中间尺寸的单页纸时是否应用 ISO A3+ 或 13"x19"(Super B)。

- **单页纸设置 2**

选择检测到中间尺寸的单页纸时是否应用 ISO B1 或 28"x40"(ANSI F)。

- **卷纸设置 1**

选择检测到中间尺寸的单页纸时是否应用 A3 或 300 毫米。

- **卷纸设置 2**

选择检测到中间尺寸的单页纸时是否应用 B4 或 10 英寸。

- **调整卷纸单元**

更换卷纸单元时选择此设置项目。

- **打印高级纸张设置**

点击是会将打印出在高级纸张设置中指定的每个设置。

- **重置全部纸张的纸张设置**

点击是会将还原在高级纸张设置中指定的每个设置。

如果启用则需要输入管理员密码。

»» 重要事项

- 将纸张设置恢复为出厂默认设置时，会删除使用 Media Configuration Tool 添加或更新的纸张信息。此外，还会删除颜色校准值。
执行颜色校准以指定颜色校准值。

自动维护设置

从**设备设置**中选择此设置项目。

▶▶▶ 重要事项

- 如果已启用使用操作面板更改设置，则更改设置需要管理员密码。

- **自动喷嘴检查**

启用/禁用自动喷嘴检查。也可以选择页面间隔以执行自动喷嘴检查。

- **喷嘴检查错误显示**

启用/禁用显示喷嘴检查错误。

- **系统清洗间隔**

指定自动系统清洗的频率。

▶▶▶ 注释

- 为保持打印质量，如果在较高的位置使用打印机，建议选择**短**。

- **更换新打印头后打印图案**

选择是否在更换打印头后打印调整图案。

管理员密码设置

从**设备设置**中选择此设置项目。

▶▶▶ 重要事项

- 如果已启用使用操作面板更改设置，则更改设置需要管理员密码。

可以指定或禁用管理员密码。

如果指定管理员密码，请选择范围并指定管理员密码。

远程用户界面或其他工具

要使用远程用户界面或某些软件更改设置项目，需要输入管理员密码。

LCD、远程用户界面或其他工具

要使用打印机的操作面板、远程用户界面或某些软件更改设置项目，需要输入管理员密码。

有关详细资料：

- [在操作面板上设置管理员密码](#)

在操作面板上设置管理员密码

可以指定或禁用管理员密码。

要指定管理员密码，需要输入密码以使用以下项目或更改以下设置。

- LAN 设置
- 设备用户设置
- 语言选择
- 自动维护设置
- 硬盘设置
- 管理员密码设置
- 状态打印(管理员)
- 特殊管理模式

请按照以下步骤指定管理员密码。

1. [确保打印机已开启。](#)

2. 滑动主页屏幕，然后点击 设备设置。

■ 菜单操作

出现**设备设置**屏幕。

3. 点击**管理员密码设置**。

4. 显示指定管理员密码的确认屏幕时，点击**是**。

如果未指定管理员密码，将出现注册确认信息。点击**是**以再次显示信息。点击 **OK**。

▶▶▶ 重要事项

- 购买时已设置管理员密码。打印机的序列号用作密码。
有关管理员密码，请参阅管理员密码。

5. 点击**更改管理员密码**。

如果未指定管理员密码，请点击**删除管理员密码**。点击**是**以再次显示信息。点击 **OK**。

6. 请点击**管理员密码有效的范围**。

远程用户界面或其他工具

要使用远程用户界面或某些软件更改设置项目，需要输入管理员密码。

LCD、远程用户界面或其他工具

要使用打印机的操作面板、远程用户界面或某些软件更改设置项目，需要输入管理员密码。

7. 输入管理员密码。

重要事项

- 密码受以下字符限制：
 - 使用 4 到 32 个字符设置密码。
 - 允许使用单字节的字母数字字符。
 - 为安全起见，建议使用 6 个或更多个字母数字字符。

8. 点击**应用**。

9. 再次输入指定的管理员密码。

10. 点击**应用**。

即启用管理员密码。

要更改或禁用管理员密码时：

启用管理员密码时，依次点击**设备设置**和**管理员密码设置**并输入管理员密码以在触摸屏上显示**更改管理员密码**和**删除管理员密码**。选择一个项目，然后按照屏幕上的说明执行设置。

硬盘设置

从**设备设置**中选择此设置项目。

▶▶▶ 重要事项

- 如果已启用使用操作面板更改设置，则更改设置需要管理员密码。

• 输出方法

为从打印机驱动程序之外的软件接收的作业选择打印方法。使用打印机驱动程序时，可在打印机上进行设置。

- **打印**

执行正常的打印。

- **打印(自动删除)**

完成打印后删除打印机硬盘上的数据。

- **保存至作业箱**

只将打印作业保存在作业箱中不对其进行打印。

• 先保存再打印

该设置适用于从打印机驱动程序之外的软件接收的作业。使用打印机驱动程序时，可在打印机上进行设置。选择**开**以在作业保存完毕后进行打印。

• 通用作业箱设置

选择**打印(自动删除)**，将打印作业但不将其保存在多个用户之间共享的作业箱中。

• 数据删除

选择用于删除打印机硬盘上的数据的方法。

- [删除打印机硬盘上的数据](#)

特殊管理模式

从**设备设置**中选择此设置项目。

重要事项

- 如果已启用使用操作面板更改设置，则更改设置需要管理员密码。

- **启用/禁用监控服务**

选择**启用**允许打印机向服务中心发送错误详细信息。

- **通信测试**

与服务中心进行通讯测试。

- **通信记录**

显示错误编号(最多 30 个)、错误代码和错误发生时间的列表。 点击一个项目可显示错误详细信息。

打印机信息

从主页屏幕中选择该设置项目。

- **系统信息**

显示打印机的系统信息。

- **硬盘信息**

显示硬盘总容量和邮箱的可用空间。

- **错误历史记录**

显示错误历史记录。

- **硬件错误**

显示硬件错误代码(最多 5 个)。

- **可恢复的错误**

显示可恢复错误(如纸张或墨水的相关错误)代码(最多 5 个)。

有关错误代码的更多信息，请参阅[与错误对应的支持代码列表](#)。

- **使用记录**

显示打印机的使用记录，例如总打印区域或墨水使用量。

- **打印头信息**

显示打印头序列号，当前打印头已安装的天数和打印点数。

- **打印头对齐执行记录**

显示打印头对齐执行记录(最多 5 个)。

- **自动设置时应用的值**

显示应用于上一次打印作业的打印设置。

状态打印

可以打印显示打印机当前状态的“状态打印”报告。

借助“状态打印”，可以打印出有关打印机固件版本、各项设置、耗材使用状况的信息。

按照以下步骤进行打印。

1. [确保打印机已开启。](#)

2. 滑动主页屏幕，然后点击  设备设置。

■ [菜单操作](#)

3. 点击**测试打印**。

4. 点击**状态打印**。

▶▶▶ 注释

- 如果指定了管理员密码，请点击**状态打印(管理员)**。

打印机开始打印。

包括以下信息。

Canon xxxxxxxxxxxxxxxxxxxxxx Status Print	打印机型号
S/N	打印机序列号
Firm	固件版本
Boot	引导 ROM 版本
Date	状态打印报告打印的时间

Paper Info	在每个供纸位置装入的纸张上打印信息。
------------	--------------------

Job Menu		
	Job History	
	Log *	关于各个作业的信息 历史记录(作业名称打印为“*”。)

*仅当选择了**状态打印(管理员)**时才进行打印。

Settings	
	Printer Settings

	Print Settings	打印头可移动宽度设置/优先纸张尺寸的设置值
	Paper-related settings	优先纸张尺寸的设置值
Device settings		
	Auto maintenance settings	自动维护设置的各个设置值
	Hard disk settings	硬盘设置的各个设置值
	Device user settings	设备用户设置的各个设置值
	Language selection	语言选择的各个设置值
	Roll unit use setting *2	卷纸单元用途设置的各个设置值

*2 仅当选择开时才进行打印。

Maintenance		
	Color calibration	颜色校准的设置值

Usage Condition		
	Hard disk information	硬盘容量和作业箱可用空间
	Hardware error	硬件错误的历史记录信息
	Error	可恢复的错误的历史记录信息
	Warning	警告的历史记录信息
	Maintenance cartridge usage / Remaining ink level	墨水使用量的信息
	Duty counter	工作量计数器的信息

PARTS STATUS		
	COUNTER	打印出零件状态。

Head information		
	HEAD LOT NUMBER/ DATE OF INSTALLATION	打印头点数

Head alignment performance log		
COUNTER		
	Media	各指定介质的使用
	THE NUMBER OF CUTS	总裁切次数
	AFTER INSTALLATION	使用时间

使用 Web 浏览器更改打印机的设置

- ▶ 使用 Web 浏览器更改设置
- ▶ 可使用 Web 浏览器更改的设置项目
- ▶ 设置密码
- ▶ 设置邮件服务器
- ▶ 通过电子邮件接收打印机状态

使用 Web 浏览器更改设置

可以在智能手机、平板电脑或计算机上使用 Web 浏览器检查打印机状态以及更改打印机设置。

要检查打印机状态并更改打印机设置，请在 Web 浏览器上显示“远程用户界面”。

»» 注释

- 远程用户界面是一款软件，该软件可使用 Web 浏览器通过网络执行通常在打印机操作面板上执行的操作。

需要将打印机连接到 LAN 才能使用远程用户界面。

- 可以在以下操作系统和 Web 浏览器上使用远程用户界面。

- iOS 设备

操作系统：iOS 7.0 或更高版本

Web 浏览器：iOS 标准 Web 浏览器(Mobile Safari)

- Android 设备

操作系统：Android 4.0 或更高版本

Web 浏览器：Android 标准 Web 浏览器(Browser 或 Chrome)

- Mac OS 设备

操作系统：Mac OS X v.10.6 或更高版本

Web 浏览器：Safari 5.1 或更高版本

- Windows 设备

操作系统：Windows Vista SP2 或更高版本

Web 浏览器：Internet Explorer 9 或更高版本、Google Chrome 41.0.2272.118m 或更高版本、Mozilla Firefox 37.0.1 或更高版本

1. [确保打印机已开启。](#)

2. 检查打印机的 IP 地址。

按照以下步骤检查打印机的 IP 地址。

1. 滑动主页屏幕，然后点击  **设备设置**。

■ 菜单操作

出现菜单屏幕。

2. 点击 **LAN 设置**。
3. 点击 **确认 LAN 设置**。
4. 点击 **LAN 设置列表**或**无线 LAN 设置列表**。
5. 点击**是**。
6. 检查 **IPv4 地址**。

3. 在智能手机、平板电脑或计算机上打开 Web 浏览器并输入 IP 地址。

在 Web 浏览器的 URL 字段中输入如下内容。

http://XXX.XX.X.XXX

在“XXX.XX.X.XXX”中输入 IP 地址。

访问时，智能手机、平板电脑或计算机上的 Web 浏览器中将显示“远程用户界面”。

4. 如果首次在智能手机、平板电脑或计算机上显示远程用户界面，请选择**为确保通讯安全**。

下载根证书，然后进行注册。

■ [注册打印机根证书至 Web 浏览器](#)

▶▶▶ **注释**

- 注册根证书至智能手机、平板电脑或计算机上的 Web 浏览器后，下次后不再需要该步骤。
- 如果没有注册根证书，可能会显示无法保证安全连接的警告信息。

5. 选择**登录**。

出现密码验证屏幕。

▶▶▶ **注释**

- 启用标准用户模式时，可选择管理员模式或标准用户模式进行登录。
选择模式并选择**登录**后，将显示相应模式的密码验证屏幕。

6. 输入密码。

密码验证完成时，Web 浏览器上会显示可以使用的菜单。

▶▶▶ **重要事项**

- 购买时已设置密码。密码为打印机序列号。打印机序列号打印在粘贴于打印机的贴纸标签上。由 9 个字母数字字符(四个字母后跟五个数字)组成。
有关密码设置的详细资料，请参见[设置密码](#)。

7. 检查打印机状态以及更改打印机设置。

有关可更改的设置项目，请参见以下内容。

■ [可使用 Web 浏览器更改的设置项目](#)

8. 完成打印机状态检查以及打印机设置更改后，选择**注销**。

9. 关闭 Web 浏览器。

可使用 Web 浏览器更改的设置项目

»» 注释

- 此处介绍的项目和 Web 浏览器中所显示项目的显示顺序可能有所不同。
- 管理员模式和标准用户模式下可使用的项目可能有所差异。

针对安全性的项目

安全 (针对管理员的项目)

该功能可以指定密码、标准用户模式设置和用于加密通讯的证书 SSL/TLS 设置。

该功能可以指定密码、标准用户模式设置、操作限制和用于加密通讯的证书 SSL/TLS 设置。

有关密码设置的详细资料，请参见[设置密码](#)。

针对维护/管理的项目

实用程序

该功能可以设置和执行打印机的实用程序功能，如清洗。

作业管理

该功能可以显示并打印作业历史记录。

»» 注释

- 在管理员模式下登录时，可以对标准用户模式下的该功能进行限制。

系统信息和 LAN 设置

该功能可以检查系统信息以及更改 LAN 设置。

使用 **LAN 设置** 中的 **其他设置** 的 **IP 筛选**，可以针对 IPv4 或 IPv6 地址允许或拒绝特定 IP 地址的连接。

使用 **LAN 设置** 中的 **其他设置** 的 **SNMP 设置**，可以指定 SNMP 和 MIB 设置以通过网络管理打印机。

»» 重要事项

- 如果已错误地使用 **IP 筛选** 拒绝管理员设备的 IP 地址，请重置打印机的 LAN 设置。要重置 LAN 设置，请依次选择 **系统信息和 LAN 设置 > LAN 设置 > 其他设置 > 重置 LAN 设置** 和是。

»» 注释

- 部分菜单仅在管理员模式下登录时才可使用。

语言选择

该功能可以更改显示语言。

针对打印机的项目

设备设置

该功能可以更改打印机设置，如静音设置、节能设置和打印设置。

此外，该功能可以接收剩余墨水量和错误等打印机状态信息。

■ [设置邮件服务器](#)

■ [通过电子邮件接收打印机状态](#)

注釋

- 部分菜单仅在管理员模式下登录时才可使用。

其他项目

打印机状态

该功能显示打印机信息，如剩余墨水量、状态和详细错误信息。

还可以连接到墨水购买网站或支持页面，以及使用 Web 服务。

使用记录

该功能显示打印的总页数。

手册(在线)

该功能显示 *在线手册*。

设置密码

可以分别设置管理员密码和标准用户密码。

使用管理员密码登录时，可更改所有设置。

使用标准用户密码登录时，可更改部分设置。

使用管理员密码登录时，可限制标准用户可用的功能。

- [设置管理员密码](#)
- [设置标准用户密码](#)

▶▶▶ 注释

- 只有在管理员模式下登录时，才可设置密码。

设置管理员密码

按照以下步骤更改管理员密码。

▶▶▶ 重要事项

- 购买时已设置密码。密码为打印机序列号。打印机序列号打印在粘贴于打印机的贴纸标签上。由 9 个字母数字字符(四个字母后跟五个数字)组成。

1. [在 Web 浏览器中显示打印机状态。](#)

2. 选择**安全**。

出现菜单。

3. 选择**管理员密码设置**。

4. 选择**更改管理员密码**。

如果未设置管理员密码，将显示注册确认信息。选择**是**。再次显示信息时，选择**OK**。

5. 选择管理员密码的有效范围，然后选择**OK**。

远程用户界面或其他工具

要使用远程用户界面或某些软件更改设置项目，需要输入管理员密码。

操作面板/远程用户界面/其他工具

要使用打印机的操作面板、远程用户界面或某些软件更改设置项目，需要输入管理员密码。

6. 输入密码并选择**OK**。

▶▶▶ 重要事项

- 密码受以下字符限制：
 - 使用 4 到 32 个字符设置密码。
 - 允许使用单字节的字母数字字符。
 - 为安全起见，建议使用 6 个或更多个字母数字字符。

7. 出现完成信息时，选择 **OK**。

设置标准用户密码

关于限制标准用户的功能，请启用标准用户模式并按照以下步骤设置标准用户密码。

1. [在 Web 浏览器中显示打印机状态。](#)

2. 选择**安全**。

出现菜单。

3. 选择**标准用户模式设置**。

4. 出现确认信息时，选择**是**。

5. 输入密码并选择 **OK**。

重要事项

- 密码受以下字符限制：
 - 使用 4 到 32 个字符设置密码。
 - 允许使用单字节的字母数字字符。
 - 为安全起见，建议使用 6 个或更多个字母数字字符。

6. 出现完成信息时，选择 **OK**。

注册打印机根证书至 Web 浏览器

如果没有注册打印机的根证书至 Web 浏览器，可能会显示无法保证安全连接的警告信息。

如果首次在智能手机、平板电脑或计算机上显示远程用户界面，请下载根证书，然后将其注册至 Web 浏览器。将确认安全连接并且不会显示信息。

注册根证书的方式会因浏览器而有所不同。

- [对于 Internet Explorer](#)
- [对于 Safari](#)
- [对于 Android 上的 Chrome](#)
- [对于 iOS 上的 Mobile Safari](#)

对于其他 Web 浏览器，请参阅各帮助。

重要事项

- 在注册根证书之前检查 Web 浏览器的 URL 字段，确保已正确访问打印机的 IP 地址。

对于 Internet Explorer

1. 选择远程用户界面上的**下载**。

开始下载根证书。

2. 如果出现确认屏幕，请选择**打开**。

出现**证书**屏幕。

注释

- 要将证书文件保存至设备并进行注册，请选择**保存**。从 Internet Explorer 的**工具**菜单中选择 **Internet 选项**，从**内容**选项卡上的**证书**注册根证书。

3. 选择**安装证书**。

出现**证书导入向导**屏幕。

4. 选择**下一步**。

5. 选择**将所有的证书都放入下列存储**。

6. 选择**浏览**。

出现**选择证书存储**屏幕。

7. 选择**受信任的根证书颁发机构**和**确定**。

8. 选择**证书导入向导**屏幕上的**下一步**。

9. 如果出现正在完成**证书导入向导**屏幕，请选择**完成**。

出现**安全警告**屏幕。

10. 确保**安全警告**屏幕上的指纹与打印机的指纹匹配。

有关打印机的指纹，触摸**主页**按钮，选择**设备设置 > LAN 设置 > 确认 LAN 设置**，检查**根证书指纹 (SHA-1)**或**根证书指纹(SHA-256)**。

11. 如果**安全警告**屏幕上的指纹与打印机的指纹匹配，请选择**是**。

12. 选择**证书导入向导**屏幕上的**是**。

根证书注册完成。

对于 Safari

1. 选择远程用户界面上的**下载**。

开始下载根证书。

2. 打开下载文件。

出现**添加证书**屏幕。

3. 选择**添加**。

会显示证书信息。

4. 确保证书详细信息的指纹与打印机的指纹匹配。

有关打印机的指纹，触摸**主页**按钮，选择**设备设置 > LAN 设置 > 确认 LAN 设置**，检查**根证书指纹 (SHA-1)**或**根证书指纹(SHA-256)**。

5. 如果证书详细信息的指纹与打印机的指纹匹配，请选择**总是信任**。

根证书注册完成。

▶▶▶ 注释

- 如果设备上已设置密码，可能会要求输入密码。

对于 Android 上的 Chrome

1. 选择远程用户界面上的**下载**。

开始下载根证书，然后显示**命名证书**屏幕。

2. 由于需要输入根证书名称，随意输入证书名称并选择**确定**。

根证书注册完成。

»» 注释

- 如果安全类型没有设置为 PIN 或密码，可能会出现注意屏幕。选择**确定**，然后将安全类型设置为 PIN 或密码。

根证书注册后

建议确保已注册正确的根证书。

要确保已注册正确的根证书，请确保证书信息的指纹与打印机指纹相匹配。按照以下步骤操作。

»» 注释

- 某些 Android 设备无法检查注册的路由证书的指纹。

1. 从设备上的**设置**菜单，选择**安全、受信任的凭据**和 **USER**。

出现已下载的证书列表。

2. 选择下载的证书。

会显示证书信息。

3. 确保证书信息的指纹与打印机的指纹匹配。

有关打印机的指纹，触摸**主页**按钮，选择**设备设置** > **LAN 设置** > **确认 LAN 设置**，检查**根证书指纹 (SHA-1)**或**根证书指纹(SHA-256)**。

4. 如果证书信息屏幕的指纹与打印机的指纹匹配，请选择**确定**。

根证书注册完成。

如果注册根证书后在远程用户界面上选择**登录**时显示无法保证安全连接的警告信息，请重新启动 Web 浏览器。Web 浏览器上不会显示该消息。

»» 注释

- 根据 Android 设备，即使注册正确的根证书后也可能出现警告。

对于 iOS 上的 Mobile Safari

1. 选择远程用户界面上的**下载**。

开始下载根证书，然后显示**安装描述文件**屏幕。

2. 选择**安装**。

出现**警告**屏幕。

»» 注释

- 如果设备上已设置密码，可能会要求输入密码。

3. 选择**安装**。

4. 选择已显示对话框中的**安装**。

根证书注册完成。

设置邮件服务器

要使用邮件功能，请指定邮件服务器设置。

»» 注释

- 如果没有使用打印机的操作面板指定时区设置，则显示一条提示发送的电子邮件可能不会显示正确时间的信息。建议使用打印机的操作面板设置时区。
关于时区设置，请参见[设备用户设置](#)。
- 只有在管理员模式下登录时，才可设置这些功能。

1. [在 Web 浏览器中显示打印机状态。](#)

2. 选择设备设置。

出现菜单。

3. 选择设置邮件服务器/测试连接。

4. 选择设置邮件服务器。

出现邮件服务器设置项目。

5. 指定邮件服务器设置。

指定以下项目。

发送方地址

输入发送方(该打印机)的电子邮件地址。

发送邮件服务器(SMTP)

输入 SMTP 服务器的地址。

端口编号(SMTP)

输入 SMTP 服务器的端口号。

安全连接(SSL)

如果使用安全连接(SSL)，请选择此项。

不验证证书

如果不验证证书，请选择此项。

验证方法

选择以下一种验证方法。

SMTP 验证

如果使用 SMTP 验证发送电子邮件，请选择此项。

接着，可以指定以下设置。

- **发送帐户**

输入发送的帐户名称以执行验证。

- **发送密码**

输入发送的密码以执行验证。

POP before SMTP

如果使用 POP before SMTP 验证发送电子邮件，请选择此项。

接着，可以指定以下设置。

- **接收邮件服务器(POP3)**

输入 POP 服务器的地址。

- **端口编号(POP3)**

输入 POP 服务器的端口编号。

- **接收帐户**

输入接收的帐户名称以执行验证。

- **接收密码**

输入接收的密码以执行验证。

- **使用 APOP 验证**

如果通过加密传输发送密码，请选择此项。

- **清空邮箱**

如果删除保留在 POP3 服务器中的电子邮件，请选择此项。

▶▶▶ 重要事项

- 设置启用时，将清除服务器上收件箱中的全部电子邮件。如果指定常用的电子邮件地址，请务必禁用此设置以免删除未读电子邮件。建议为打印机准备专门的电子邮件帐户，以免意外删除未读电子邮件。

无验证

如果无需验证，请选择此项。

6. 指定邮件服务器设置后，请选择 **OK**。

设置操作完成。

通过电子邮件接收打印机状态

接收打印机状态信息，例如打印机的剩余墨水量和错误。

注釋

- 预先指定邮件服务器设置。

■ 设置邮件服务器

- 如果没有使用打印机的操作面板指定日期和时间设置，则发送的电子邮件可能不会显示日期和时间。建议使用打印机的操作面板设置日期和时间。
关于日期和时间设置，请参见[设备用户设置](#)。
- 只有在管理员模式下登录时，才可设置这些功能。

按照以下步骤指定信息设置。

1. [在 Web 浏览器中显示打印机状态。](#)

2. 选择**设备设置**。

出现菜单。

3. 选择**状态通知电子邮件**。

4. 选择**通知的收件人**。

出现注册接收方的屏幕。

5. 指定接收方设置。

按照以下步骤可注册最多 5 个接收方。

1. 选择接收方数量。
2. 选择**注册**。
3. 输入电子邮件地址，然后选择打印机状态可以发送信息。
4. 选择 **OK**。

注册接收方完成。

6. 选择**设备设置 > 状态通知电子邮件 > 重试设置**。

7. 指定重新发送设置。

按照以下步骤可指定重新发送的次数。

1. 指定重新发送的次数。
2. 指定重新发送的间隔。
3. 选择 **OK**。

重新发送设置完成。

各部分的说明

▶ 各部分的说明

- 前面
- 背面
- 上盖内部
- 托架
- 墨水盒舱盖内部
- 操作面板

▶ 硬盘

- 打印机硬盘操作
- 检查可用硬盘空间
- 删除打印机硬盘上的数据

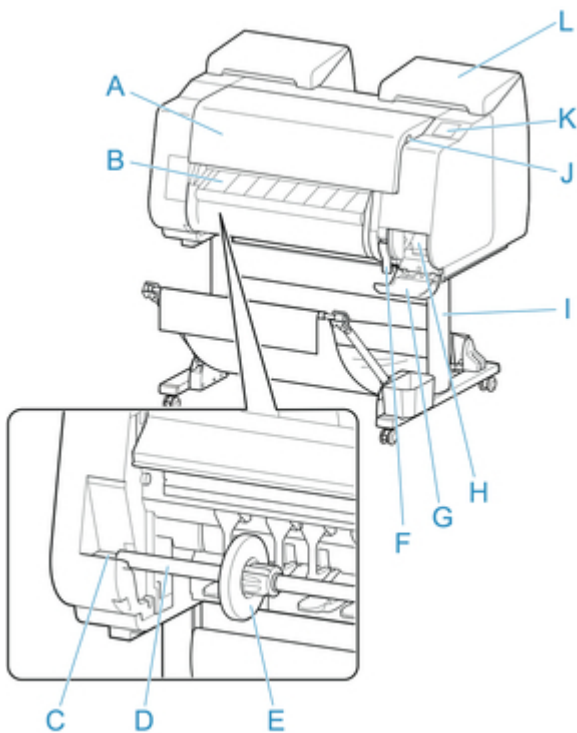
▶ 选购件

- 卷纸支架组
- 支架
- 支架部件
- 篮子部件
- 卷纸单元
- 辊单元部件

各部分的说明

- ➔ [前面](#)
- ➔ [背面](#)
- ➔ [上盖内部](#)
- ➔ [保护托架。](#)
- ➔ [墨水盒舱盖内部](#)
- ➔ [操作面板](#)

前面



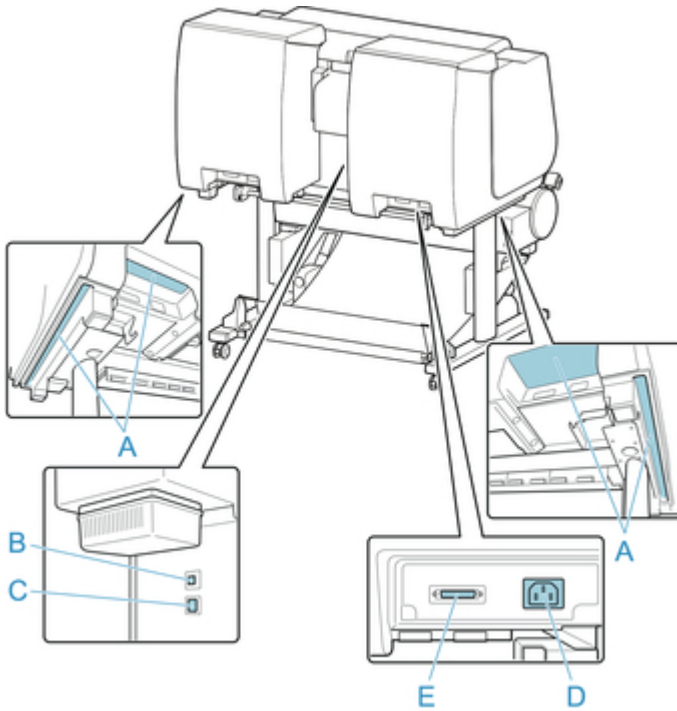
- A. **上盖**
必要时打开上盖，安装打印头、装入纸张并从打印机内部取出所有卡住的纸张。(请参见“[上盖内部](#)”。)
- B. **出纸导片**
打印品排出。并且，安装卷纸时，打开该导板。
- C. **卷纸支架槽**
将卷纸支架安装在该导向槽上。
- D. **卷纸支架**
将卷纸安装在该支架上。
- E. **支架止动器**
用该零件将卷纸固定在卷纸支架上。
- F. **释放杆**
要松开纸张压板，请抬起此杆。
- G. **保养墨盒舱盖**
打开此盖以更换保养墨盒。
- H. **保养墨盒**
吸收进行清洁打印头等维护时使用的墨水。(装满了的话更换。)
- I. **支架**
是打印机的安装支架。带有脚轮，可以简单地移动。(请参见“[支架部件](#)”。)
- J. **USB 闪存端口**
将 USB 闪存插入该端口。
- K. **触摸屏**

使用此屏幕操作打印机并检查打印机状态。(请参见“[操作面板](#)”。)

L. **墨水盒舱盖**

打开此盖以更换墨水盒。(请参见“[墨水盒舱盖内部](#)”。)

背面



A. 搬运把手

把持着左右底面的该部分，由 6 个人搬运打印机。

B. USB 端口

将 USB 电缆连接在该端口上。对应 Hi-Speed USB。

C. 有线 LAN 连接器

将 Ethernet 电缆连接在该连接器上。Ethernet 电缆连接正确，处于可以通讯的状态时，指示灯点亮。

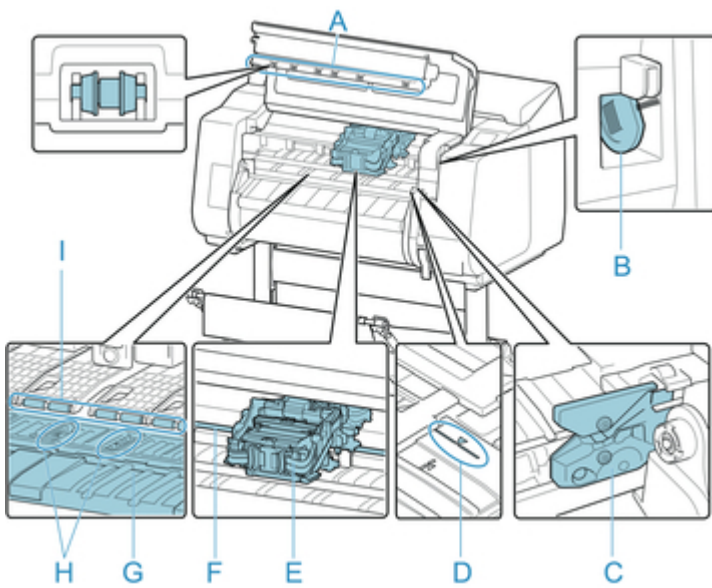
D. 电源线连接器

将电源线连接在该电源连接器上。

E. 辊单元用电源连接器

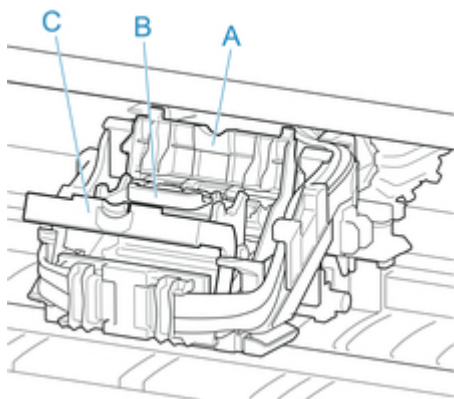
连接卷纸单元的连接线。

上盖内部



- A. **上盖板压辊**
按着纸张的浮起进行排纸。
- B. **清洁刷**
清洁上盖下方的打印机内部时，用该刷子扫掉压纸滚筒上的纸尘。
- C. **切刀刀片**
是用于自动切断纸张的圆刃切刀。
- D. **纸张对齐线**
安装纸张时，对准该线进行安装。
- E. **托架**
移动打印头。这是用于打印的重要零件。(请参见“[托架](#)”。)
- F. **托架轴**
托架在该部分移动。
- G. **压纸滚筒**
打印头在压纸滚筒上移动进行打印。压纸滚筒上的吸口将纸张固定不动。
- H. **无边界打印墨水槽**
进行无边界打印时，接受超出纸张外侧的墨水。
- I. **纸张压板**
是用于进给纸张的重要部件。用该部分支持纸张。

托架



- A. 打印头锁定盖
固定打印头。
- B. 打印头
已安装了喷嘴。是用于打印的重要零件。
- C. 打印头锁定杆
锁定打印头锁定盖。

墨水盒舱盖内部



*1:图片显示打印机装入 700 毫升(23.7 液量盎司)墨水盒时的情况。

A. 墨水颜色标签


按照标签的颜色和名称安装墨水盒。

B. 墨水指示灯(红色)

表示墨水盒舱盖打开时墨水盒的状态如下。

- 开
墨水盒已正确安装。
- 关
没有安装墨水盒，或者墨水剩余量检测功能被禁用。
- 闪烁
没有墨水。

注 释

- 如果剩余墨水过少，墨水指示灯会亮起且  会出现在触摸屏上。

C. 墨水盒

是各色墨水的墨水盒。

D. 墨水盒锁定杆

此杆将墨水盒锁定到位并保护墨水盒。更换墨水盒时，抬起并放下此杆。要将其打开，将该杆的止动器抬升到到位后，将其向前按下。要将其关闭，将其按下直至其锁定到位。

硬盘

- ▶ 打印机硬盘操作
- ▶ 检查可用硬盘空间
- ▶ 删除打印机硬盘上的数据

打印机硬盘操作

可以通过下程序和界面执行打印机硬盘操作。

- 打印机驱动程序
- 远程用户界面
- 操作面板

可通过各界面执行的打印机硬盘操作如下所示。

操作		打印机驱动程序	远程用户界面	操作面板
保存打印作业	在邮箱保存	✓	-	-
	不将打印作业保存在通用作业箱内	-	-	✓
	保存除打印机驱动程序以外的来源发送的打印作业	-	-	✓
关于已保存作业的操作	打印已保存作业	-	✓	✓
	删除已保存作业	-	✓	✓
作业队列管理	显示作业队列	-	✓	✓
	删除	-	✓	✓
	抢占作业	-	✓	✓
	关于保留作业的操作	-	✓	✓
邮箱管理	移动已保存作业	-	✓	-
	修改已保存作业	-	✓	-
	修改邮箱	-	✓	-
	打印已保存作业的列表	-	-	✓
	显示已保存作业的列表	-	✓	✓
其他操作	显示可用硬盘空间	-	✓	✓
	初始化硬盘	-	-	✓
	显示打印时间	-	✓	✓
显示错误信息		-	✓	✓

检查可用硬盘空间


按如下方式检查打印机硬盘的可用空间。

可以使用操作面板或远程用户界面执行此操作。

- [使用操作面板](#)
- [使用远程用户界面](#)

使用操作面板

1. [确保打印机已开启。](#)

2. 滑动主页屏幕，然后点击  打印机信息。

- [菜单操作](#)

3. 点击**硬盘信息**。

显示可用硬盘空间。

使用远程用户界面

1. [在 Web 浏览器中显示打印机状态。](#)
2. 在**菜单**页面中，选择**作业管理**。
3. 选择**硬盘信息**。

可用硬盘空间会显示在右上角。



删除打印机硬盘上的数据

重要事项

- 如果已启用使用操作面板更改设置，则更改设置需要管理员密码。
- 要通过更为安全的方法防止数据恢复，我们建议使用物理方法或磁化方法销毁硬盘。在这种情况下，该硬盘将无法再使用。
- 如果存在作业队列，则无法删除 HDD 数据。此外，删除数据时无法处理打印作业。

1. [确保打印机已开启。](#)

2. 滑动主页屏幕，然后点击 设备设置。

■ [菜单操作](#)

3. 点击**硬盘设置**。

4. 如果启用了管理员密码，请输入该密码。

5. 点击删除方法。

快速

删除打印机硬盘上存储的打印作业数据的相关文件管理数据。选择此方法可以相对提高删除速度。由于只删除文件管理数据，所以不会删除打印作业数据本身。请注意，使用商业数据恢复软件或许能够读取该数据。

快速安全

使用随机数据覆盖整个硬盘。无需执行任何验证来检查数据是否正确写入。选择此方法可以删除高度机密数据。请注意，使用特殊的数据恢复工具或许能够读取被覆盖的数据。

安全

使用 00、FF 和随机数据覆盖整个硬盘(每种数据执行一次)。执行验证以检查数据是否正确写入。选择此方法可以删除特别机密数据。实际上，不可能恢复被覆盖的数据。符合美国国防部 DoD5220.22-M 标准。

6. 检查显示的信息，然后点击**是**。

硬盘上的数据已删除。

选购件

- ➔ [卷纸支架组](#)
- ➔ [支架](#)
- ➔ [支架部件](#)
- ➔ [篮子部件](#)
- ➔ [卷纸单元](#)
- ➔ [卷纸单元部件](#)

卷纸支架组

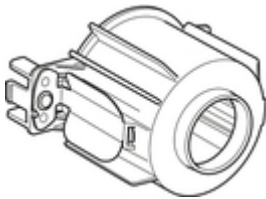
将卷纸安装在卷纸支架上，然后将其装入打印机。RH2-27 卷纸支架组中的卷纸支架可以 2 英寸和 3 英寸纸管兼用。但是，如果使用 3 英寸纸管的卷纸，请安装 3 英寸纸管配件。(请参见“[在卷纸支架上装入卷纸](#)”)。

- 卷纸支架组 RH2-27

- 卷纸支架(2 英寸 / 3 英寸纸管兼用)



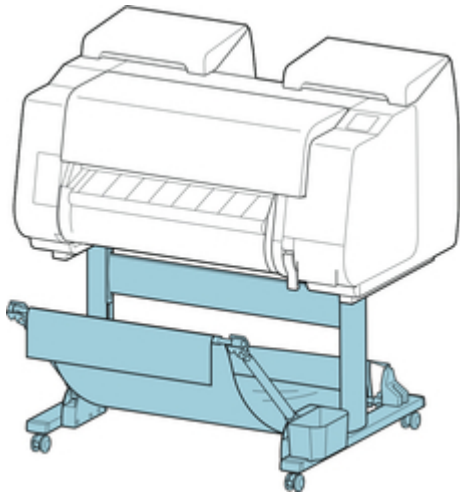
- 3 英寸纸管配件 (×2)



支架

以下支架可以用于打印机。

- 打印机支架 SD-21



关于支架主要部件的详细信息，请参见“[支架部件](#)”。

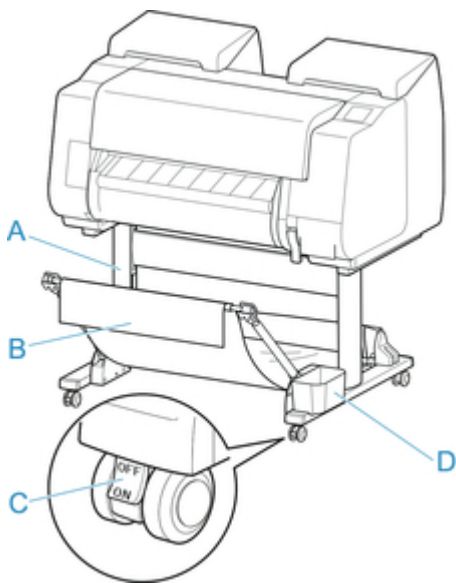
重要事项

- 移动支架时，请务必将锁定脚轮锁设置到关位置以解除锁定。
如果在锁定脚轮处于锁定状态时进行移动，地板可能会被刮擦。

注释

- 有关安装支架的说明，请参见支架附带的安装指南。

支架部件

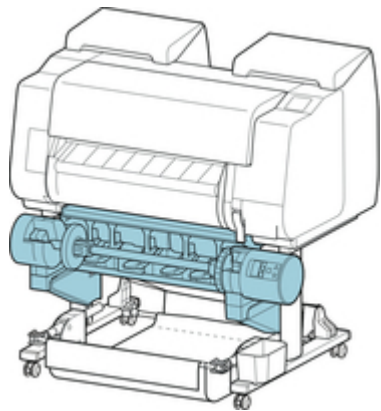


- A. **支架单元**
是打印机的安装台。带有脚轮，可以简单地移动。
- B. **篮子**
接住排出的打印文档。(请参见“[篮子部件](#)”。)
有关如何使用篮子的说明，请参见“[使用篮子](#)”和“[篮子设置示例](#)”。
- C. **锁定脚轮**
锁定脚轮（当锁处在“ON”位置时）使打印机固定不动。
移动支架时，请务必将锁定脚轮锁设置到关位置以解除锁定。
如果在锁定脚轮处于锁定状态时进行移动，地板可能会被刮擦。
- D. **附件盒**
将打印机手册、组装工具和其它物品存放在该袋中。

卷纸单元

本打印机可以使用以下卷纸单元。

- 卷纸单元 RU-21



有关卷纸单元主要部件的详细资料，请参见“[卷纸单元部件](#)”。

▶▶▶ 注释

- 有关安装卷纸单元的说明，请参见卷纸单元附带的文档。

网络设置

▶ 网络连接提示

- 默认网络设置
- 找到其他具有相同名称的打印机
- 通过 LAN 连接到其他计算机/从 USB 更改为 LAN 连接
- 打印网络设置
- 更改 LAN 连接方法/更改无线 LAN 连接方法 (Windows)
- 使用远程用户界面更改网络设置

▶ IJ Network Device Setup Utility

- IJ Network Device Setup Utility
- 启动 IJ Network Device Setup Utility
- IJ Network Device Setup Utility 屏幕
- 执行网络设置
- 检查网络状态
- IJ Network Device Setup Utility 菜单
- 其它网络信息

▶ 在网络上共享打印机 (Windows)

- 设置共享打印机
- 打印机共享的限制

▶ 在网络上共享打印机 (Mac OS)

- 打印服务器上的设置
- 客户端计算机上的设置
- 打印机共享的限制

▶ 通过无线 LAN 将智能手机/平板电脑连接到打印机

- 通过无线 LAN 路由器将智能手机/平板电脑连接到打印机

网络连接提示

- ▶ 默认网络设置
- ▶ 找到其他具有相同名称的打印机
- ▶ 通过 LAN 连接到其他计算机/从 USB 更改为 LAN 连接
- ▶ 打印网络设置
- ▶ 更改 LAN 连接方法/更改无线 LAN 连接方法(Windows)
- ▶ 使用远程用户界面更改网络设置

默认网络设置

LAN 连接默认值

项目	默认
更改 LAN	启用有线 LAN
SSID	BJNPSETUP
通信模式	基础结构
无线 LAN 安全	禁用
IP 地址 (IPv4)	自动设置
IP 地址 (IPv6)	自动设置
设置打印机名称*	XXXXXXXXXXXXXX
启用/禁用 IPv6	启用
启用/禁用 WSD	启用
超时设置	1 分钟
启用/禁用 Bonjour	启用
服务名称	Canon PRO-520
LPR 协议设置	启用
无线 LAN 间歇接收设置	启用
有线 LAN 间歇接收设置	启用

(“XX”表示字母数字字符。)

* 默认值因打印机而异。要检查默认值，请使用操作面板。

■ LAN 设置

直接连接默认值

项目	默认
SSID(直接连接标识符)	DIRECT-abXX-PRO-520 *1
密码	YYYYYYYYYYY *2
无线 LAN 安全	WPA2-PSK(AES)
直接连接的设备名称	ZZZZZ-PRO-520 *3
确认连接请求	显示

*1 “ab”为随机指定而“XX”表示打印机 MAC 地址的最后两位数字。

*2 首次开启打印机时自动指定该密码。

*3 “ZZZZZZ” 表示打印机 MAC 地址的最后六位数字。

找到其他具有相同名称的打印机

设置过程中找到打印机时，结果屏幕上可能会出现其他具有相同名称的打印机。

对照检测结果屏幕上的设置查看打印机设置，从而选择打印机。

查看打印机的 MAC 地址或序列，从结果中选择正确的打印机。

▶▶▶ 注释

- 序列号可能未显示在结果屏幕上。

使用以下任一方法检查打印机的 MAC 地址和序列号。

- 在触摸屏上显示。

MAC 地址

■ [LAN 设置](#)

序列号

■ [打印机信息](#)

- 打印网络设置。

■ [打印网络设置](#)

通过 LAN 连接到其他计算机/从 USB 更改为 LAN 连接

■ [对于 Windows:](#)

■ [对于 Mac OS:](#)

对于 Windows:

要在 LAN 上添加计算机以连接到打印机或从 USB 更改为 LAN 连接，请使用安装光盘执行设置或按照 Canon 网站上的说明进行设置。

对于 Mac OS:

要通过 LAN 将其他计算机连接到打印机，或从 USB 更改为 LAN 连接，请按照 Canon 网站上的说明进行设置。

打印网络设置

使用操作面板打印打印机的当前网络设置。

重要事项

- 此网络设置打印输出包含关于网络的重要信息。请小心处理。

1. 确保打印机已开启。

2. 装入普通纸。

■ 将卷纸安装在卷纸支架上

■ 将上行卷纸装入打印机

如果使用单页纸，请至少装入 10 张(A4 或 Letter 尺寸)。

■ 将单页纸安装到打印机上

3. 滑动主页屏幕，然后点击 设备设置。

■ 菜单操作

出现菜单屏幕。

4. 点击测试打印。

如果指定管理员密码，请输入密码。

5. 点击打印 LAN 详细信息。

打印机开始打印网络设置信息。

注释

- 也可以打印打印机的网络设置。点击主页屏幕上的设备设置后依次点击 LAN 设置、确认 LAN 设置和打印 LAN 详细信息，然后点击是。

打印的网络设置信息如下：(根据打印机设置，某些设置值不会显示。)

项目	描述	设置
LAN Setting	基本设置信息	-
Basic Info	IPv4 设置信息(有线 LAN)	-
LAN Interface Mode	当前接口	Wired/Wireless/AP Mode/WFD Mode
Link Active	操作状态	Inactive/Active
IP Address	IPv4 IP 地址	XXX.XXX.XXX.XXX
Gateway Address	IPv4 默认网关	XXX.XXX.XXX.XXX

Subnet Mask	IPv4 子网掩码	XXX.XXX.XXX.XXX
IP Mode	获取 IPv4 IP 地址的方法	Auto IP/DHCP/Manual
Use DNS Auto Mode	自动获取 DNS 服务器	On/Off
Primary DNS Server Address	主 DNS 服务器地址	XXX.XXX.XXX.XXX
Secondary DNS Server Address	辅助 DNS 服务器地址	XXX.XXX.XXX.XXX
Control Filtering	SNMP 筛选设置信息	-
Use IP Filtering	IP 筛选的操作状态	On/Off
IP Filtering Select	IP 筛选方法	Admit/Prohibit
IP Filtering Permission Address	IP 筛选许可地址	-
Start Address 1	起始地址 1	XXX.XXX.XXX.XXX
End Address 1	结束地址 1	XXX.XXX.XXX.XXX
Use Single On 1	使用单个地址 1	On/Off
Start Address 2	起始地址 2	XXX.XXX.XXX.XXX
End Address 2	结束地址 2	XXX.XXX.XXX.XXX
Use Single On 2	使用单个地址 2	On/Off
Start Address 3	起始地址 3	XXX.XXX.XXX.XXX
End Address 3	结束地址 3	XXX.XXX.XXX.XXX
Use Single On 3	使用单个地址 3	On/Off
Start Address 4	起始地址 4	XXX.XXX.XXX.XXX
End Address 4	结束地址 4	XXX.XXX.XXX.XXX
Use Single On 4	使用单个地址 4	On/Off
Start Address 5	起始地址 5	XXX.XXX.XXX.XXX
End Address 5	结束地址 5	XXX.XXX.XXX.XXX
Use Single On 5	使用单个地址 5	On/Off
IP Filtering Prohibit Address	IP 筛选禁止地址	-
Start Address 1	起始地址 1	XXX.XXX.XXX.XXX
End Address 1	结束地址 1	XXX.XXX.XXX.XXX
Use Single On 1	使用单个地址 1	On/Off
Start Address 2	起始地址 2	XXX.XXX.XXX.XXX

End Address 2	结束地址 2	XXX.XXX.XXX.XXX
Use Single On 2	使用单个地址 2	On/Off
Start Address 3	起始地址 3	XXX.XXX.XXX.XXX
End Address 3	结束地址 3	XXX.XXX.XXX.XXX
Use Single On 3	使用单个地址 3	On/Off
Start Address 4	起始地址 4	XXX.XXX.XXX.XXX
End Address 4	结束地址 4	XXX.XXX.XXX.XXX
Use Single On 4	使用单个地址 4	On/Off
LAN Setting	基本设置信息	-
Basic Info	IPv4 设置信息(有线 LAN)	-
Control Filtering	SNMP 筛选设置信息	-
IP Filtering Prohibit Address	IP 筛选禁止地址	-
Start Address 5	起始地址 5	XXX.XXX.XXX.XXX
End Address 5	结束地址 5	XXX.XXX.XXX.XXX
Use Single On 5	使用单个地址 5	On/Off
Print Filtering	打印筛选设置信息	-
Use IP Filtering	IP 筛选的操作状态	On/Off
IP Filtering Select	IP 筛选方法	Admit/Prohibit
IP Filtering Permission Address	IP 筛选许可地址	-
Start Address 1	起始地址 1	XXX.XXX.XXX.XXX
End Address 1	结束地址 1	XXX.XXX.XXX.XXX
Use Single On 1	使用单个地址 1	On/Off
Start Address 2	起始地址 2	XXX.XXX.XXX.XXX
End Address 2	结束地址 2	XXX.XXX.XXX.XXX
Use Single On 2	使用单个地址 2	On/Off
Start Address 3	起始地址 3	XXX.XXX.XXX.XXX
End Address 3	结束地址 3	XXX.XXX.XXX.XXX
Use Single On 3	使用单个地址 3	On/Off
Start Address 4	起始地址 4	XXX.XXX.XXX.XXX

End Address 4	结束地址 4	XXX.XXX.XXX.XXX
Use Single On 4	使用单个地址 4	On/Off
Start Address 5	起始地址 5	XXX.XXX.XXX.XXX
End Address 5	结束地址 5	XXX.XXX.XXX.XXX
Use Single On 5	使用单个地址 5	On/Off
IP Filtering Prohibit Address	IP 筛选禁止地址	-
Start Address 1	起始地址 1	XXX.XXX.XXX.XXX
End Address 1	结束地址 1	XXX.XXX.XXX.XXX
Use Single On 1	使用单个地址 1	On/Off
Start Address 2	起始地址 2	XXX.XXX.XXX.XXX
End Address 2	结束地址 2	XXX.XXX.XXX.XXX
Use Single On 2	使用单个地址 2	On/Off
Start Address 3	起始地址 3	XXX.XXX.XXX.XXX
End Address 3	结束地址 3	XXX.XXX.XXX.XXX
Use Single On 3	使用单个地址 3	On/Off
Start Address 4	起始地址 4	XXX.XXX.XXX.XXX
End Address 4	结束地址 4	XXX.XXX.XXX.XXX
Use Single On 4	使用单个地址 4	On/Off
Start Address 5	起始地址 5	XXX.XXX.XXX.XXX
End Address 5	结束地址 5	XXX.XXX.XXX.XXX
Use Single On 5	使用单个地址 5	On/Off
LAN Setting	基本设置信息	-
IPv6 Info	IPv6 设置信息(有线 LAN)	-
Link Local Address	本地链路地址	XXXX:XXXX:XXXX:XXXX XXXX:XXXX:XXXX:XXXX
IP Address	IPv6 IP 地址	XXXX:XXXX:XXXX:XXXX XXXX:XXXX:XXXX:XXXX
Prefix Length	链路本地地址前缀长度	XXX(0 到 128)
Use Manual Mode	IPv6 手动地址的操作状态	On/Off
Manual Address	手动地址	-

IP Address	IPv6 IP 地址	XXXX:XXXX:XXXX:XXXX XXXX:XXXX:XXXX:XXXX
Prefix Length	前缀长度	XXX(0 到 128)
Use Stateful Address Mode	有状态地址模式下的操作状态	On/Off
Stateful Address	有状态地址	-
IP Address	IPv6 IP 地址	XXXX:XXXX:XXXX:XXXX XXXX:XXXX:XXXX:XXXX
Prefix Length	前缀长度	XXX(0 到 128)
Stateless Address	无状态地址	-
IP Address 1	IP 地址 1	XXXX:XXXX:XXXX:XXXX XXXX:XXXX:XXXX:XXXX
Prefix Length 1	前缀长度 1	XXX(0 到 128)
IP Address 2	IP 地址 2	XXXX:XXXX:XXXX:XXXX XXXX:XXXX:XXXX:XXXX
Prefix Length 2	前缀长度 2	XXX(0 到 128)
IP Address 3	IP 地址 3	XXXX:XXXX:XXXX:XXXX XXXX:XXXX:XXXX:XXXX
Prefix Length 3	前缀长度 3	XXX(0 到 128)
IP Address 4	IP 地址 4	XXXX:XXXX:XXXX:XXXX XXXX:XXXX:XXXX:XXXX
Prefix Length 4	前缀长度 4	XXX(0 到 128)
Gateway Address	网关地址	-
IP Address 1	IP 地址 1	XXXX:XXXX:XXXX:XXXX XXXX:XXXX:XXXX:XXXX
Prefix Length 1	前缀长度 1	XXX(0 到 128)
IP Address 2	IP 地址 2	XXXX:XXXX:XXXX:XXXX XXXX:XXXX:XXXX:XXXX
Prefix Length 2	前缀长度 2	XXX(0 到 128)
IP Address 3	IP 地址 3	XXXX:XXXX:XXXX:XXXX XXXX:XXXX:XXXX:XXXX
Prefix Length 3	前缀长度 3	XXX(0 到 128)
IP Address 4	IP 地址 4	XXXX:XXXX:XXXX:XXXX XXXX:XXXX:XXXX:XXXX

Prefix Length 4	前缀长度 4	XXX(0 到 128)
Use DNS Auto Mode	自动获取 DNS 服务器	On/Off
Primary DNS Server Address	主 DNS 服务器地址	XXX.XXX.XXX.XXX
Secondary DNS Server Address	辅助 DNS 服务器地址	XXX.XXX.XXX.XXX
Control Filtering	SNMP 筛选设置信息	-
Use IP Filtering	IP 筛选的操作状态	On/Off
IP Filtering Select	IP 筛选方法	Admit/Prohibit
IPv6 Filtering Permission Info	IPv6 筛选许可信息	-
IP Filtering Start Address 1	IP 筛选起始地址 1	XXX.XXX.XXX.XXX
IP Filtering End Address 1	IP 筛选结束地址 1	XXX.XXX.XXX.XXX
Use Single On 1	使用单个地址 1	On/Off
LAN Setting	基本设置信息	-
IPv6 Info	IPv6 设置信息(有线 LAN)	-
Control Filtering	SNMP 筛选设置信息	-
IP Filtering Start Address 2	IP 筛选起始地址 2	XXX.XXX.XXX.XXX
IP Filtering End Address 2	IP 筛选结束地址 2	XXX.XXX.XXX.XXX
Use Single On 2	使用单个地址 2	On/Off
IP Filtering Start Address 3	IP 筛选起始地址 3	XXX.XXX.XXX.XXX
IP Filtering End Address 3	IP 筛选结束地址 3	XXX.XXX.XXX.XXX
Use Single On 3	使用单个地址 3	On/Off
IP Filtering Start Address 4	IP 筛选起始地址 4	XXX.XXX.XXX.XXX
IP Filtering End Address 4	IP 筛选结束地址 4	XXX.XXX.XXX.XXX
Use Single On 4	使用单个地址 4	On/Off
IP Filtering Start Address 5	IP 筛选起始地址 5	XXX.XXX.XXX.XXX
IP Filtering End Address 5	IP 筛选结束地址 5	XXX.XXX.XXX.XXX
Use Single On 5	使用单个地址 5	On/Off
IPv6 Filtering Prohibit Info	IPv6 筛选禁止信息	-
IP Filtering Start Address 1	IP 筛选起始地址 1	XXX.XXX.XXX.XXX
IP Filtering End Address 1	IP 筛选结束地址 1	XXX.XXX.XXX.XXX

Use Single On 1	使用单个地址 1	On/Off
IP Filtering Start Address 2	IP 筛选起始地址 2	XXX.XXX.XXX.XXX
IP Filtering End Address 2	IP 筛选结束地址 2	XXX.XXX.XXX.XXX
Use Single On 2	使用单个地址 2	On/Off
IP Filtering Start Address 3	IP 筛选起始地址 3	XXX.XXX.XXX.XXX
IP Filtering End Address 3	IP 筛选结束地址 3	XXX.XXX.XXX.XXX
Use Single On 3	使用单个地址 3	On/Off
IP Filtering Start Address 4	IP 筛选起始地址 4	XXX.XXX.XXX.XXX
IP Filtering End Address 4	IP 筛选结束地址 4	XXX.XXX.XXX.XXX
Use Single On 4	使用单个地址 4	On/Off
IP Filtering Start Address 5	IP 筛选起始地址 5	XXX.XXX.XXX.XXX
IP Filtering End Address 5	IP 筛选结束地址 5	XXX.XXX.XXX.XXX
Use Single On 5	使用单个地址 5	On/Off
Print Filtering	打印筛选设置信息	-
Use IP Filtering	IP 筛选的操作状态	On/Off
IP Filtering Select	IP 筛选方法	Admit/Prohibit
IP Filtering Permission Info	IP 筛选许可信息	-
IP Filtering Start Address 1	IP 筛选起始地址 1	XXX.XXX.XXX.XXX
IP Filtering End Address 1	IP 筛选结束地址 1	XXX.XXX.XXX.XXX
Use Single On 1	使用单个地址 1	On/Off
IP Filtering Start Address 2	IP 筛选起始地址 2	XXX.XXX.XXX.XXX
IP Filtering End Address 2	IP 筛选结束地址 2	XXX.XXX.XXX.XXX
Use Single On 2	使用单个地址 2	On/Off
LAN Setting	基本设置信息	-
IPv6 Info	IPv6 设置信息(有线 LAN)	-
Print Filtering	打印筛选设置信息	-
IP Filtering Start Address 3	IP 筛选起始地址 3	XXX.XXX.XXX.XXX
IP Filtering End Address 3	IP 筛选结束地址 3	XXX.XXX.XXX.XXX
Use Single On 3	使用单个地址 3	On/Off

IP Filtering Start Address 4	IP 筛选起始地址 4	XXX.XXX.XXX.XXX
IP Filtering End Address 4	IP 筛选结束地址 4	XXX.XXX.XXX.XXX
Use Single On 4	使用单个地址 4	On/Off
IP Filtering Start Address 5	IP 筛选起始地址 5	XXX.XXX.XXX.XXX
IP Filtering End Address 5	IP 筛选结束地址 5	XXX.XXX.XXX.XXX
Use Single On 5	使用单个地址 5	On/Off
IPv6 Filtering Prohibit Info	IPv6 筛选禁止信息	-
IP Filtering Start Address 1	IP 筛选起始地址 1	XXX.XXX.XXX.XXX
IP Filtering End Address 1	IP 筛选结束地址 1	XXX.XXX.XXX.XXX
Use Single On 1	使用单个地址 1	On/Off
IP Filtering Start Address 2	IP 筛选起始地址 2	XXX.XXX.XXX.XXX
IP Filtering End Address 2	IP 筛选结束地址 2	XXX.XXX.XXX.XXX
Use Single On 2	使用单个地址 2	On/Off
IP Filtering Start Address 3	IP 筛选起始地址 3	XXX.XXX.XXX.XXX
IP Filtering End Address 3	IP 筛选结束地址 3	XXX.XXX.XXX.XXX
Use Single On 3	使用单个地址 3	On/Off
IP Filtering Start Address 4	IP 筛选起始地址 4	XXX.XXX.XXX.XXX
IP Filtering End Address 4	IP 筛选结束地址 4	XXX.XXX.XXX.XXX
Use Single On 4	使用单个地址 4	On/Off
IP Filtering Start Address 5	IP 筛选起始地址 5	XXX.XXX.XXX.XXX
IP Filtering End Address 5	IP 筛选结束地址 5	XXX.XXX.XXX.XXX
Use Single On 5	使用单个地址 5	On/Off
MAC Info	MAC 地址设置信息(有线/无线 LAN)	-
MAC Address(Wired)	MAC 地址(有线 LAN)	XX:XX:XX:XX:XX:XX
MAC Address(Wireless)	MAC 地址(无线 LAN)	XX:XX:XX:XX:XX:XX
Use MAC Address Filtering	MAC 地址筛选的操作状态	On/Off
MAC Filtering Select	MAC 地址筛选方法	Admit/Prohibit
MAC Filtering Permission Info	MAC 筛选许可信息	-

MAC Address 1	MAC 地址 1	XX:XX:XX:XX:XX:XX
MAC Address 2	MAC 地址 2	XX:XX:XX:XX:XX:XX
MAC Address 3	MAC 地址 3	XX:XX:XX:XX:XX:XX
MAC Address 4	MAC 地址 4	XX:XX:XX:XX:XX:XX
MAC Address 5	MAC 地址 5	XX:XX:XX:XX:XX:XX
LAN Setting	基本设置信息	-
MAC Info	MAC 地址设置信息(有线/无线 LAN)	-
MAC Filtering Prohibit Info	MAC 筛选禁止信息	-
MAC Address 1	MAC 地址 1	XX:XX:XX:XX:XX:XX
MAC Address 2	MAC 地址 2	XX:XX:XX:XX:XX:XX
MAC Address 3	MAC 地址 3	XX:XX:XX:XX:XX:XX
MAC Address 4	MAC 地址 4	XX:XX:XX:XX:XX:XX
MAC Address 5	MAC 地址 5	XX:XX:XX:XX:XX:XX
Proxy Setting	代理服务器设置信息	-
Use Proxy	使用代理服务器	On/Off
Proxy Server Address	代理服务器地址	XXXXXXXXXXXXXXXXXX(最多 128 个字符)
Proxy Port Number	代理端口指定	1 到 65535
Use User Authority Mode	使用用户认证模式	On/Off
Proxy Server User Name	代理服务器用户名	XXXXXXXXXXXXXXXXXX(最多 64 个字符)
Proxy Server Password	代理服务器密码	XXXXXXXXXXXXXXXXXX(最多 64 个字符)
Wireless LAN Setting	无线 LAN 设置信息	-
Channel	通道(架构)	XXX(0 到 255)
SSID	SSID	无线 LAN(架构)SSID(最多 32 个字符)
Security Type	无线 LAN(架构)的安全类型	Disabled/WEP 64bit/WEP 128bit/WPA PSK TKIP/WPA PSK AES/WPA2 PSK TKIP/WPA2 PSK AES/MIXED

WEP1	无线 LAN(架构)WEP 密钥 1	XXXXXXXX(最多 32 个字符)
WEP2	无线 LAN(架构)WEP 密钥 2	XXXXXXXX(最多 32 个字符)
WEP3	无线 LAN(架构)WEP 密钥 3	XXXXXXXX(最多 32 个字符)
WEP4	无线 LAN(架构)WEP 密钥 4	XXXXXXXX(最多 32 个字符)
WEP Certificate	无线 LAN(架构)的 WEP 证书	Open/Shared/Auto
WEP Format	无线 LAN(架构)的 WEP 格式	Hex/String
WPA PSK	无线 LAN(架构)的密码	XXXXXXXX(最多 64 个字符)
P2P LAN Setting	P2P LAN 设置信息	-
Channel	通道(P2P)	XXX(0 到 255)
SSID	SSID	无线 LAN SSID(P2P)
Security Type	无线 LAN(P2P)的安全类型 (最多 32 个字符)	Disabled/WPA2 PSK TKIP/WPA2 PSK AES
WPA PSK	无线 LAN(P2P)的密码	XXXXXXXXXXXX(最多 10 个字符)
WFD LAN Setting	WFD LAN 设置信息	-
Device Name	设备名称	XXXXXXXX(最多 32 个字符)
Channel	通道(WFD)	XXX(0 到 255)
SSID	SSID	无线 LAN SSID(WFD)(最多 32 个字符)
Security Type	无线 LAN(P2P)的安全类型	Disabled/WPA2 PSK TKIP/WPA2 PSK AES
WPA PSK	无线 LAN(P2P)的密码	XXXXXXXXXXXX(最多 10 个字符)
Use Notify Connection	使用通知连接	On/Off
Protocol Setting	协议设置信息	-
Printer Name	打印机名称	XXXXXXXX(最多 16 个字符)
Use LPR	使用 LPR	On/Off
Printer Location	打印机位置	XXXXXXXX(最多 16 个字符)
Use Wired Power Save	间歇接收(有线 LAN)	On/Off
Use Wireless Power Save	间歇接收(无线 LAN)	On/Off
Use RAW	使用 RAW	On/Off
Use LLNMR	使用 LLNMR	On/Off

Use Spanning Tree	使用跨越树	On/Off
WSD Setting	WSD 设置信息	-
Use WSD	使用 WSD	On/Off
WSD Timeout	超时	1/5/10/15/20[分钟]
Use WSD Push Scan	使用 WSD 单键扫描	On/Off
Use WSD Rx Optimization	使用 WSD 接收优化	On/Off
SNMP Setting	SNMP 设置信息	-
Use SNMPv1	使用 SNMPv1	On/Off
Use SNMPv3	使用 SNMPv3	On/Off
SNMP Community Name1	SNMP 社区名 1	XXXXXXXX(最多 32 个字符)
SNMP Community Name2	SNMP 社区名 2	XXXXXXXX(最多 32 个字符)
SNMP Extra Access Authority	SNMP 附加访问权限	Read Only/Read Write
SNMP Access Authority1	SNMP 访问权限 1	Read Only/Read Write
SNMP Access Authority2	SNMP 访问权限 2	Read Only/Read Write
SNMPV3 Setting	SNMPV3 设置信息	-
User1	用户 1	-
User Name	用户名	XXXXXXXX(最多 32 个字符)
Use SNMPv3	使用 SNMPv3	On/Off
MIB Access Restriction	MIB 访问限制	Read Only/Read Write
Security Setting	安全设置	No Auth No Encrypt/Auth No Encrypt/Auto Encrypt
Authority Algorithm	认证算法	None/MD5/SHA1
Authority Password	认证密码	XXXXXXXX(0 到 16 个字符)
Encryption Algorithm	加密算法	None/AES/DES
Encryption Password	加密密码	XXXXXXXX(0 到 16 个字符)
User2	用户 2	-
User Name	用户名	XXXXXXXX(最多 32 个字符)
Use SNMPv3	使用 SNMPv3	On/Off
MIB Access Restriction	MIB 访问限制	Read Only/Read Write

Security Setting	安全设置	No Auth No Encrypt/Auth No Encrypt/Auto Encrypt
Authority Algorithm	认证算法	None/MD5/SHA1
Authority Password	认证密码	XXXXXXXX(0 到 16 个字符)
Encryption Algorithm	加密算法	None/AES/DES
Encryption Password	加密密码	XXXXXXXX(0 到 16 个字符)
SNMPV3 Setting	SNMPV3 设置信息	-
User3	用户 3	-
User Name	用户名	XXXXXXXX(最多 32 个字符)
Use SNMPv3	使用 SNMPv3	On/Off
MIB Access Restriction	MIB 访问限制	Read Only/Read Write
Security Setting	安全设置	No Auth No Encrypt/Auth No Encrypt/Auto Encrypt
Authority Algorithm	认证算法	None/MD5/SHA1
Authority Password	认证密码	XXXXXXXX(0 到 16 个字符)
Encryption Algorithm	加密算法	None/AES/DES
Encryption Password	加密密码	XXXXXXXX(0 到 16 个字符)
User4	用户 4	-
User Name	用户名	XXXXXXXX(最多 32 个字符)
Use SNMPv3	使用 SNMPv3	On/Off
MIB Access Restriction	MIB 访问限制	Read Only/Read Write
Security Setting	安全设置	No Auth No Encrypt/Auth No Encrypt/Auto Encrypt
Authority Algorithm	认证算法	None/MD5/SHA1
Authority Password	认证密码	XXXXXXXX(0 到 16 个字符)
Encryption Algorithm	加密算法	None/AES/DES
Encryption Password	加密密码	XXXXXXXX(0 到 16 个字符)
User5	用户 5	-
User Name	用户名	XXXXXXXX(最多 32 个字符)
Use SNMPv3	使用 SNMPv3	On/Off

MIB Access Restriction	MIB 访问限制	Read Only/Read Write
Security Setting	安全设置	No Auth No Encrypt/Auth No Encrypt/Auto Encrypt
Authority Algorithm	认证算法	None/MD5/SHA1
Authority Password	认证密码	XXXXXXXX(0 到 16 个字符)
Encryption Algorithm	加密算法	None/AES/DES
Encryption Password	加密密码	XXXXXXXX(0 到 16 个字符)
SNTP Setting	SNTP 设置信息	-
Use SNTP	使用 SNTP	On/Off
SNTP Polling Interval	SNTP 轮询间隔	1 到 48 [秒]
SNTP Server Name	SNTP 服务器名称	XXXXXXXX(最多 256 个字符)
FTP Setting	FTP 设置信息	-
Use FTP	使用 FTP	On/Off
Use FTP Authority	使用 FTP 权限	On/Off
FTP User Name	FTP 用户名	XXXXXXXX(最多 33 个字符)
FTP Password	FTP 密码	XXXXXXXX(最多 33 个字符)
Bonjour Setting	Bonjour 设置信息	-
Use Bonjour	使用 Bonjour	On/Off
Bonjour Service Name	Bonjour 服务名称	Bonjour 服务名称(最多 50 个字母数字字符)
802.1X Setting	802.1X 设置信息	-
Authority State	802.1X 认证状态	Invalid/Authorized
Authority Type	启用/禁用 802.1X 和权限类型	Off/On/EAP-TTLS
EAP TTLS Type	EAP-TTLS 内部权限类型	Invalid/Authorized
Weak Encryption Restriction	弱加密限制	Invalid/Authorized
Weak Certificate Restriction	弱证书限制	Invalid/Authorized
Login Name	登录名	XXXXXXXX(最多 24 个字符)
User Name	用户名	XXXXXXXX(最多 24 个字符)
Password	密码	XXXXXXXX(最多 24 个字符)
Server Name	服务器名称	XXXXXXXX(最多 43 个字符)

IPsec Setting	IPsec 设置信息	-
Use IPsec	使用 IPsec	On/Off
Previous Shared Key	上一个 IPsec 共享密钥	XXXXXXXX(最多 17 个字符)
Phase2 Protocol	IPsec phase2 协议	AH/ESP/AH+ESP
AAP Location Info	AAP 位置信息	-
Height	高度	0 到 65535
Latitude Info	纬度信息	-
Direction	方向	South Latitude/North Latitude
Time	时间	0 到 90
Minute	分钟	0 到 59
Sec1	秒 1	0 到 59
Sec2	秒 2	0 到 999
Longitude Info	经度信息	-
Direction	方向	South Latitude/North Latitude
Time	时间	0 到 90
Minute	分钟	0 到 59
Sec1	秒 1	0 到 59
Sec2	秒 2	0 到 999
Email Setting	电子邮件设置信息	-
Retry Count	电子邮件重试次数	0 到 5
Retry Interval	电子邮件重试间隔	1 到 60(分钟)
Use Email Notification	使用电子邮件通知	On/Off
Use SSL	使用 SSL	On/Off
Use SSL Cert No Check	使用 SSL 证书	On/Off
Use Mailbox Delete	使用邮箱删除	On/Off
Email Setting	电子邮件设置信息	-
SMTP Server Address	SMTP 服务器地址	XXXXXXXX(最多 64 个字符)
SMTP Server Port No	SMTP 服务器端口号	1 到 65535

SMTP State	SMTP 状态	Invalid/Authorized/POP before SMTP
From Address 1	发送地址 1	XXXXXXXX(最多 128 个字符)
To Address 1	接收地址 1	XXXXXXXX(最多 128 个字符)
Reply Address 1	回复地址 1	XXXXXXXX(最多 128 个字符)
Notice Conditions 1	通知条件 1	-
Job End	作业结束	On/Off
Error Occurred	发生错误	On/Off
Warning Occurred	发生警告	On/Off
Signature 1	署名 1	XXXXXXXX(最多 128 个字符)
To Address 2	接收地址 2	XXXXXXXX(最多 128 个字符)
Reply Address 2	回复地址 2	XXXXXXXX(最多 128 个字符)
Notice Conditions 2	通知条件 2	-
Job End	作业结束	On/Off
Error Occurred	发生错误	On/Off
Warning Occurred	发生警告	On/Off
Signature 2	署名 2	XXXXXXXX(最多 128 个字符)
RUI Setting	RUI 设置信息	-
Use RUI	使用远程用户界面	On/Off
Language	语言	-

(“XX”表示字母数字字符。)

更改 LAN 连接方法/更改无线 LAN 连接方法(Windows)

■ 更改 LAN 连接方法

■ 更改无线 LAN 连接方法

更改 LAN 连接方法

按照以下任一步骤更改 LAN 连接方法(有线或无线)。

• 对于 Windows:

- 使用安装光盘或按照 Canon 网站上的说明重新执行设置。
- 在主页屏幕上依次点击 **LAN 设置**和**更改 LAN**，然后选择**启用无线 LAN** 或**启用有线 LAN**。

此后，在 IJ Network Device Setup Utility 的**协议设置...**屏幕上执行设置。

有关详细资料，请参阅[执行/更改无线 LAN 设置](#)或[执行/更改有线 LAN 设置](#)。

• 对于 Mac OS:

按照 Canon 网站上的说明重新执行设置。

更改无线 LAN 连接方法

按照以下任一步骤更改无线 LAN 连接方法(架构或直接连接)。

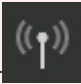
• 对于 Windows:

- 使用安装光盘或按照 Canon 网站上的说明重新执行设置。
- 在 IJ Network Device Setup Utility 的**协议设置**屏幕上执行设置。

▶▶▶ 重要事项

- 使用 IJ Network Device Setup Utility 执行设置前，按照以下步骤在打印机上开启无电缆线设置模式。

1. [确保打印机已开启。](#)

2. 滑动主页屏幕，然后点击  **LAN 设置**。

■ 菜单操作

如果指定管理员密码，请输入密码。

3. 点击**无线 LAN 设置**。

4. 点击**无电缆线设置**。

5. 检查信息，并点击 **OK**。

按照智能手机或平板电脑上的说明进行操作。

6. 如果出现设置完成信息，点击 **OK**。

• 对于 Mac OS:

按照 Canon 网站上的说明重新执行设置。

使用远程用户界面更改网络设置

可以在以下操作系统和 Web 浏览器上使用远程用户界面。

- iOS 设备

操作系统：iOS 7.0 或更高版本

Web 浏览器：iOS 标准 Web 浏览器(Mobile Safari)

- Android 设备

操作系统：Android 4.0 或更高版本

Web 浏览器：Android 标准 Web 浏览器(Browser 或 Chrome)

- Mac OS 设备

操作系统：Mac OS X v.10.6 或更高版本

Web 浏览器：Safari 5.1 或更高版本

- Windows 设备

操作系统：Windows Vista SP2 或更高版本

Web 浏览器：Internet Explorer 9 或更高版本、Google Chrome 41.0.2272.118m 或更高版本、Mozilla Firefox 37.0.1 或更高版本

重要事项

- 在 Web 浏览器启用 JavaScript 和 Cookie。
- 如果使用打印机名称而非 IP 地址访问远程用户界面，请确保正确配置 DNS 设置。
- 根据网络环境，可能无法启动远程用户界面。
- 确保在**设备设置**下**设备用户设置**的操作限制中，将**远程用户界面**选择为**不限制**。

注释

- 远程用户界面还提供许多其他功能。可以显示墨水量、检查错误信息和其他状态信息，并取消打印作业。

IJ Network Device Setup Utility

- ▶ **IJ Network Device Setup Utility**
- ▶ **启动 IJ Network Device Setup Utility**
- ▶ **IJ Network Device Setup Utility 屏幕**
- ▶ **执行网络设置**
- ▶ **检查网络状态**
- ▶ **IJ Network Device Setup Utility 菜单**
- ▶ **其它网络信息**

IJ Network Device Setup Utility

通过 IJ Network Device Setup Utility，网络/打印机管理员可以在网络上管理打印机。执行打印机设置时，会同时安装实用程序。

IJ Network Device Setup Utility 可用于：

- 在网络上搜索打印机，并对检测到的打印机执行初始网络设置
- 通过使用 USB 电缆线连接打印机和计算机以执行初始网络设置(对部分型号不可用)
- 更改打印机网络设置
- 如果连接发生错误，检查安装 IJ Network Device Setup Utility 的计算机和打印机之间的状态

重要事项

- 仅可以在 Windows 上使用 IJ Network Device Setup Utility。
- 根据使用的打印机不同，购买时已为打印机指定管理员密码。更改网络设置时，需要管理员密码进行验证。

有关详细资料：

■ 管理员密码

为了提高安全性，建议更改管理员密码。

■ [更改管理员密码](#)

- 要通过 LAN 使用打印机，请确保备有此连接类型所必需的设备，如无线路由器或 LAN 电缆线。
- 执行设置或安装 IJ Network Device Setup Utility 时，禁用防火墙的限制功能。
- 请勿在打印过程中使用 IJ Network Device Setup Utility 更改网络设置。

启动 IJ Network Device Setup Utility

按照如下所示启动 IJ Network Device Setup Utility。

- 在 Windows 10 环境下，选择**开始**屏幕上的**所有应用**并选择 **IJ Network Device Setup Utility**。如果未显示 **IJ Network Device Setup Utility**，请在**搜索 Web 和 Windows** 上搜索 “IJ Network Device Setup Utility”。
- 在 Windows 8.1 或 Windows 8 环境下，选择**开始**屏幕上的 **IJ Network Device Setup Utility** 以启动 IJ Network Device Setup Utility。如果**开始**屏幕上未显示 **IJ Network Device Setup Utility**，请选择**搜索**超级按钮并搜索 “IJ Network Device Setup Utility”。
- 在 Windows 7 或 Windows Vista 环境下，单击**开始**并选择**所有程序**、**Canon Utilities**、**IJ Network Device Setup Utility**，然后选择 **IJ Network Device Setup Utility**。

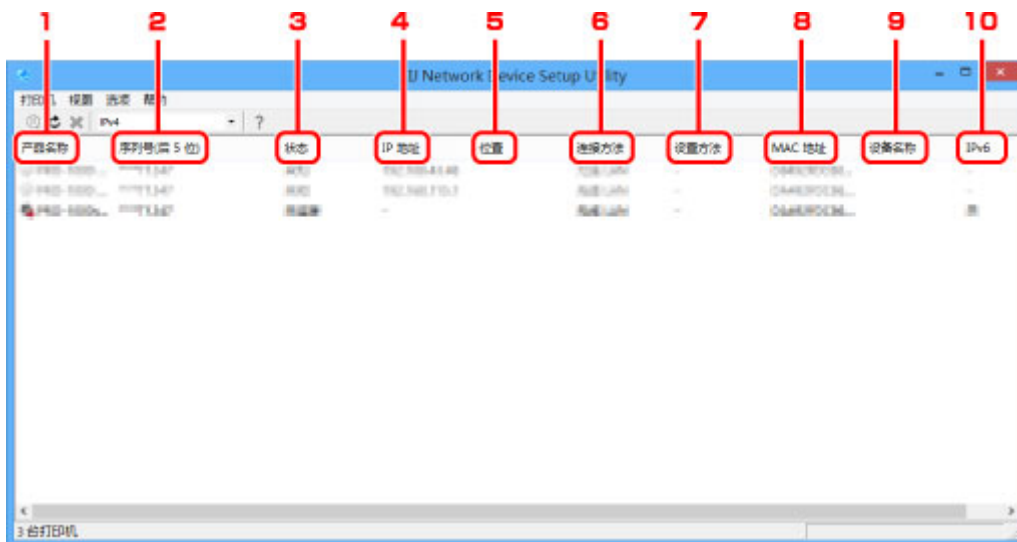
启动 IJ Network Device Setup Utility 时，IJ Network Device Setup Utility 会在网络上搜索打印机并列出检测到的打印机。

IJ Network Device Setup Utility 屏幕

- [IJ Network Device Setup Utility 屏幕上的项目](#)
- [IJ Network Device Setup Utility 屏幕上的菜单](#)
- [IJ Network Device Setup Utility 屏幕工具栏上的项目](#)

IJ Network Device Setup Utility 屏幕上的项目

启动 IJ Network Device Setup Utility 后，会出现以下屏幕。屏幕上会列出检测到的打印机，并显示以下项目。



1. 产品名称

显示检测到的打印机的产品名称。如果打印机无法使用，屏幕左侧会出现以下图标。



：尚未连接或配置打印机时出现。



：IP 地址与其他打印机重复时出现。



：无法与打印机通讯时出现。

注 释

- 如果未检测到要使用的打印机，请尝试设置打印机的搜索条件。

- [设置打印机的搜索条件/搜索特定打印机](#)

2. 序列号(后 5 位)

显示打印机序列号的最后 5 位数字。

3. 状态

显示打印机状态，如下所示。

可用

表示打印机可用。

设置完成

执行网络设置并单击**设置**以关闭窗口后出现。

未连接

表示需要打印机才能进行无线 LAN 设置。

■ [执行/更改无线 LAN 设置](#)

未设置

表示无法在网络上使用打印机。指定一个 IP 地址或启用 IPv6。

IP 地址覆盖

表示 IP 与其他打印机重复。

未知

表示过去使用的打印机当前无法使用。

»» 注释

- 如果从工具栏上的下拉菜单中选择 **USB**，则不会显示任何信息。

4. IP 地址

显示打印机 IP 地址。

»» 注释

- 如果从工具栏上的下拉菜单中选择 **USB**，在打印机设置中禁用的接口(无线/有线 LAN)会显示为“-”。

5. 位置

如果打印机已注册，显示其位置。

»» 注释

- 如果从工具栏上的下拉菜单中选择 **USB**，则不会显示任何信息。

■ [指定打印机信息](#)

6. 连接方法

显示打印机连接方法(有线或无线 LAN)。

»» 注释

- 如果从工具栏上的下拉菜单中选择 **USB**，则会显示打印机可用的任一 LAN 连接方法(有线或无线)。
- 如果打印机支持两种 LAN 连接方法，则打印机会被识别为两台打印机并分别显示。
- 如果打印机不支持有线 LAN，则不会显示有线 LAN。
- 如果正在计算机上使用不支持无线 LAN 的 IJ Network Device Setup Utility，则不会显示无线 LAN。
- 如果正在通过直接连接使用打印机，则有线 LAN 和无线 LAN 都不会显示。

7. 设置方法

显示打印机设置方法。

- **自动**
通过自动指定的 IP 地址使用打印机时出现。
- **手动**
打印机使用手动指定的 IP 地址时出现。

注 释

- 如果从工具栏上的下拉菜单中选择 **USB**，在打印机设置中禁用的接口(无线/有线 LAN)会显示为“-”。

8. MAC 地址

显示检测到的打印机的 MAC 地址。

注 释

- 如果从工具栏上的下拉菜单中选择 **USB**，在打印机设置中禁用的接口(无线/有线 LAN)会显示为“-”。

9. 设备名称

如果打印机已注册，显示其设备名称。

注 释

- 如果从工具栏上的下拉菜单中选择 **USB**，则不会显示任何信息。

指定打印机信息

10. IPv6

为打印机指定 IPv6 地址时，会出现开。

注 释

- 如果从工具栏上的下拉菜单中选择 **USB**，则会显示“-”。

IJ Network Device Setup Utility 屏幕上的菜单

本节描述 IJ Network Device Setup Utility 屏幕上的菜单。



1. 打印机菜单

■ [打印机菜单](#)

2. 视图菜单

■ [视图菜单](#)

3. 选项菜单

■ [选项菜单](#)

4. 帮助菜单

■ [帮助菜单](#)

IJ Network Device Setup Utility 屏幕工具栏上的项目

本节描述 IJ Network Device Setup Utility 屏幕工具栏上的项目。



1. 执行有线或无线 LAN 设置。

▶▶▶ 注释

- 此项目与打印机菜单中的[协议设置...](#)具有相同功能。

2. 重新检测打印机。

▶▶▶ 注释

- 此项目与视图菜单中的[更新](#)具有相同功能。

3. 停止检测打印机。

▶▶▶ 注释

- 此项目与视图菜单中的[取消](#)具有相同功能。

4. 切换打印机列表。(IPv4、IPv6 或 USB 打印机)

▶▶▶ 注释

- 此项目与视图菜单中的[切换 IPv4/IPv6/USB](#) 具有相同功能。
- 也可显示连接 USB 的打印机列表。(对部分型号不可用。) 在这种情况下, 选择 **USB**。

5. 显示该指南。

注釋

- 此項目與幫助菜單中的[在线手册](#)具有相同功能。

执行网络设置

- ▶ 执行/更改有线 LAN 设置
- ▶ 执行/更改无线 LAN 设置
- ▶ 指定打印机信息
- ▶ 初始化网络设置
- ▶ 更改管理员密码
- ▶ 设置打印机的搜索条件/搜索特定打印机
- ▶ 如果出现 WEP 详细信息屏幕
- ▶ 如果出现 WPA/WPA2 详细信息屏幕

执行/更改有线 LAN 设置

请按照以下步骤执行/更改有线 LAN 设置。

»» 注释

- 对于部分型号，可使用 IJ Network Device Setup Utility 为连接 USB 的打印机执行网络设置。在视图菜单下的切换 IPv4/IPv6/USB 上选择 **USB** 以显示可以执行设置的打印机。

1. [启动 IJ Network Device Setup Utility。](#)

列出检测到的打印机。

2. 选择打印机以从打印机列表中执行/更改设置。

选择**连接方法**显示为**有线 LAN**、**状态**显示为除**未知**或**设置完成**以外设置的打印机，以执行设置。


要为连接 USB 的打印机执行设置，从工具栏上的下拉菜单中选择 **USB** 并选择**连接方法**显示为**有线 LAN** 的打印机。

3. 在打印机菜单上选择**协议设置...**。

出现**确认打印机密码**屏幕。

有关密码的更多信息，请参阅管理员密码。

»» 注释

- 单击  图标可以执行/更改设置。

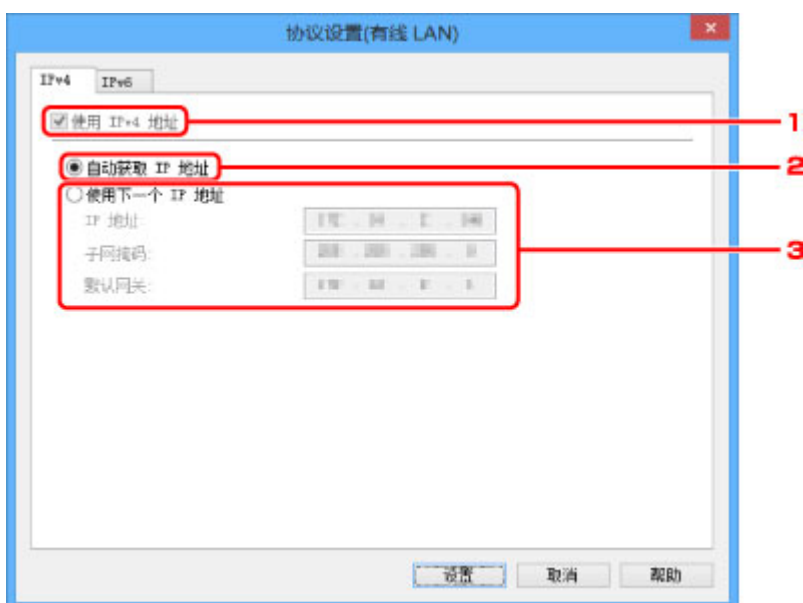
4. 输入密码并单击**确定**。

出现**协议设置**屏幕。

5. 执行/更改设置。

可以在 IPv4 和 IPv6 之间切换屏幕。单击选项卡以切换协议。

- IPv4 设置



1. 使用 IPv4 地址

始终选中。(显示为灰色状态)

2. 自动获取 IP 地址

选择此选项以使用由 DHCP 服务器自动指派的 IP 地址。必须在路由器上启用 DHCP 服务器功能。

3. 使用下一个 IP 地址

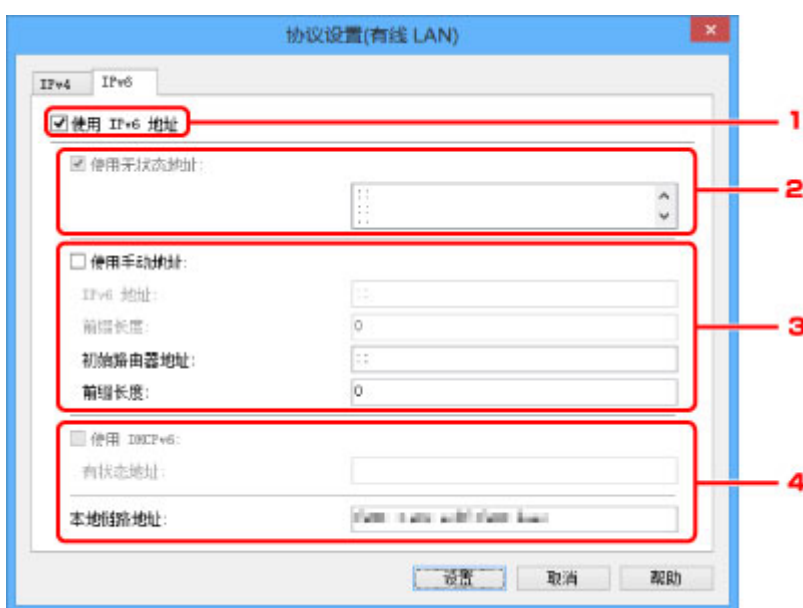
如果在使用的打印机的设置中没有可用的 DHCP 服务器功能或想要使用固定 IP 地址，选择此选项。

输入 IP 地址、子网掩码和默认网关。

• IPv6 设置

▶▶▶ 注释

- 如果从工具栏上的下拉菜单中选择 **USB**，则无法执行 IPv6 设置。



1. 使用 IPv6 地址

使用 IPv6 环境下的打印机时勾选。

2. 使用无状态地址:

使用自动指定的 IP 地址时勾选。使用兼容 IPv6 的路由器。

»» 注释

- 根据使用的打印机，此设置项目不可用。

3. 使用手动地址:

如果在使用的打印机的设置中没有可用的 DHCP 服务器功能或想要使用固定 IP 地址，选择此选项。

输入 IP 地址和 IP 地址前缀长度。

»» 注释

- 根据使用的打印机，此设置项目不可用。

4. 使用 DHCPv6:

获取使用 DHCPv6 的 IP 地址时选中。

»» 注释

- 根据使用的打印机，此设置项目不可用。

6. 单击**设置**。

执行/更改无线 LAN 设置

请按照以下步骤执行/更改无线 LAN 设置。

重要事项

- 启用无电缆线设置，然后再执行打印机设置。(如果更改 IP 地址则不需要。)有关详细资料，请在打印机的在线手册中搜索“NR049”，并参见显示的页面。

注释

- 对于部分型号，可使用 IJ Network Device Setup Utility 为连接 USB 的打印机执行网络设置。在视图菜单下的切换 IPv4/IPv6/USB 上选择 USB 以显示的打印机。

1. [启动 IJ Network Device Setup Utility。](#)

列出检测到的打印机。

2. 选择打印机以从打印机列表中执行/更改设置。

选择**连接方法**显示为**无线 LAN**、**状态**显示为除**未知**或**设置完成**以外设置的打印机，以执行设置。


要为连接 USB 的打印机执行设置，从从工具栏上的下拉菜单中选择 **USB** 并选择**连接方法**显示为**无线 LAN** 的打印机。

3. 在打印机菜单上选择**协议设置...**。

出现**确认打印机密码**屏幕。

有关密码的更多信息，请参阅管理员密码。

注释

- 单击  图标可以执行/更改设置。

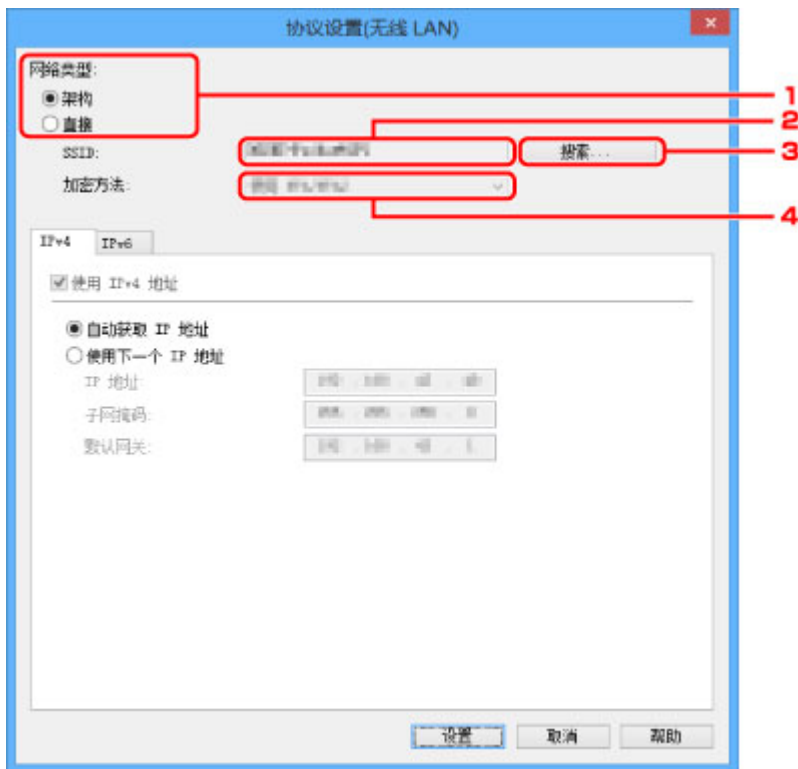
4. 输入密码并单击**确定**。

出现**协议设置**屏幕。

5. 执行/更改设置。

可以在 IPv4 和 IPv6 之间切换屏幕。单击选项卡以切换协议。

- IPv4/IPv6 设置



1. 网络类型:

选择无线 LAN 模式。

架构

通过无线路由器将打印机连接到无线 LAN。

直接

不使用无线路由器将打印机连接到无线通讯设备。

注 释

- 如果选择**直接**，**搜索...**按钮会显示为灰色状态。
此外，根据操作环境，无法从计算机连接到互联网。

2. SSID:

显示当前使用的无线 LAN 的网络标识符(SSID)。

直接连接时，会出现直接连接的标识符(SSID)。

3. 搜索...

显示**检测到的无线路由器**屏幕以选择要连接的无线路由器。对于已连接到计算机的无线路由器，**通讯状态**显示为**可用**。

如果从列表中选择**通讯状态**为**未连接**的无线路由器，单击**设置**会显示无线路由器的 WPA/WPA2 或 WEP 设置屏幕。

- [如果出现 WEP 详细信息屏幕](#)
- [如果出现 WPA/WPA2 详细信息屏幕](#)

4. 加密方法:

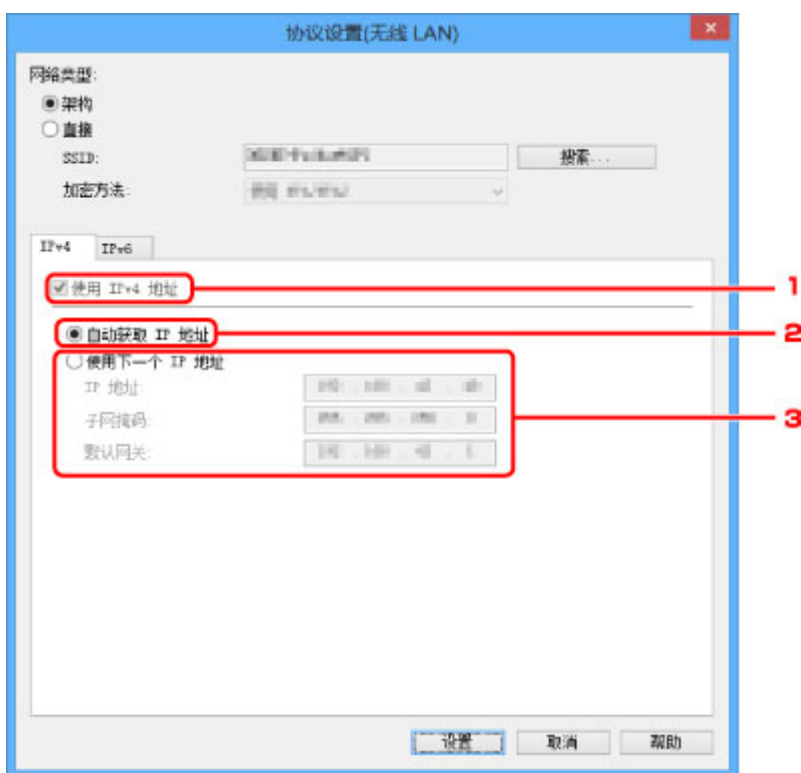
显示通过无线 LAN 使用的加密方法。

- IPv4 设置

注 释

- 仅当**网络类型**:选择为**架构**时, 以下设置项目才可用。

如果选择**直接**, 以下设置项目会显示为灰色状态。



1. 使用 IPv4 地址

始终选中。(显示为灰色状态)

2. 自动获取 IP 地址

选择此选项以使用由 DHCP 服务器自动指派的 IP 地址。必须在路由器上启用 DHCP 服务器功能。

3. 使用下一个 IP 地址

如果在使用的打印机的设置中没有可用的 DHCP 服务器功能或想要使用固定 IP 地址, 选择此选项。

输入 IP 地址、子网掩码和默认网关。

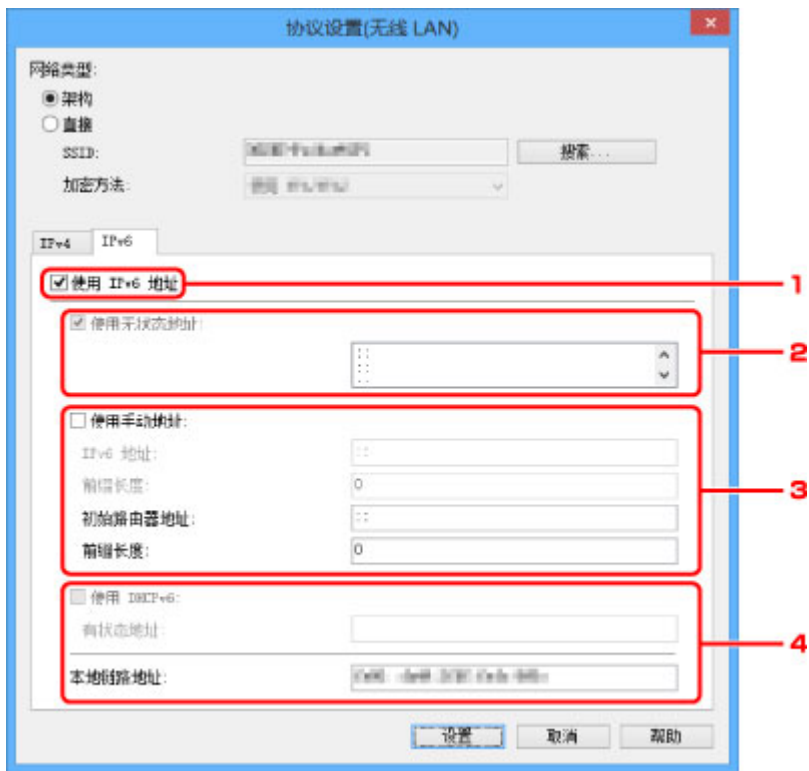
- IPv6 设置

注 释

- 如果从工具栏上的下拉菜单中选择 **USB**, 则无法执行 IPv6 设置。

- 仅当**网络类型**:选择为**架构**时, 以下设置项目才可用。

如果选择**直接**, 以下设置项目会显示为灰色状态。



1. 使用 IPv6 地址

使用 IPv6 环境下的打印机时勾选。

2. 使用无状态地址:

使用自动指定的 IP 地址时勾选。使用兼容 IPv6 的路由器。

注 释

- 根据使用的打印机，此设置项目不可用。

3. 使用手动地址:

如果在使用的打印机的设置中没有可用的 DHCP 服务器功能或想要使用固定 IP 地址，选择此选项。

输入 IP 地址和 IP 地址前缀长度。

注 释

- 根据使用的打印机，此设置项目不可用。

4. 使用 DHCPv6:

获取使用 DHCPv6 的 IP 地址时选中。

注 释

- 根据使用的打印机，此设置项目不可用。

6. 单击设置。

指定打印机信息

按照以下步骤指定/更改打印机位置名称或设备名称。

这些名称会出现在 **IJ Network Device Setup Utility** 屏幕的**设备名称:**和**位置:**上。

»» 注释

- 如果从工具栏的下拉菜单中选择 **USB**，则此设置项目不可用。

1. [启动 IJ Network Device Setup Utility。](#)

列出检测到的打印机。

2. 选择打印机以指定位置名称和设备名称。

选择**状态**显示为**可用**的打印机。

3. 在打印机菜单上选择**打印机详细设置...**。

出现**确认打印机密码**屏幕。

有关密码的更多信息，请参阅**管理员密码**。

4. 输入密码并单击**确定**。

出现**打印机详细设置**屏幕。

5. 执行/更改设置。



可以使用以下设置项目。

1. **设备名称:**

指定设备名称。

2. **位置:**

指定位置名称。

6. 单击**设置**。

初始化网络设置

按照以下步骤初始化打印机网络设置。

1. [启动 IJ Network Device Setup Utility。](#)

列出检测到的打印机。

2. 选择打印机以初始化设置。

选择**状态**显示为**可用**的打印机。

3. 在**打印机**菜单上选择**重置 LAN 设置**。

出现**确认打印机密码**屏幕。

有关密码的更多信息，请参阅**管理员密码**。

4. 输入密码并单击**确定**。

5. 在显示的屏幕上单击**是**。

6. 在显示的屏幕上单击**确定**。

打印机网络设置已初始化。

更改管理员密码

请按照以下步骤更改管理员密码。

1. [启动 IJ Network Device Setup Utility。](#)

列出检测到的打印机。

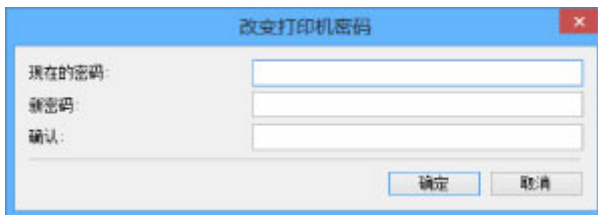
2. 选择要更改密码的打印机。

选择**状态**显示为**可用**的打印机。

3. 在**打印机**菜单上选择**更改密码...**。

出现**改变打印机密码**屏幕。

有关密码的更多信息，请参阅**管理员密码**。



4. 输入当前密码和新密码。

5. 在**确认:**中再次输入新密码。

6. 单击**确定**。

会更新管理员密码。

设置打印机的搜索条件/搜索特定打印机

启动 IJ Network Device Setup Utility 或更新打印机搜索时，可以设置打印机的搜索条件，或者可以搜索特定的打印机。

更改这些设置可能会检测到之前未检测到的要使用的打印机

►► 注释

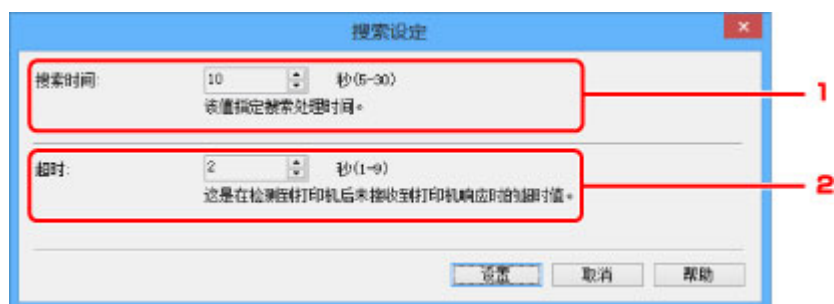
- 如果未检测到要使用的打印机，可以在操作面板上输入 IP 地址、子网掩码或默认网关，并再次搜索，从而检测到该打印机。

■ [设置打印机的搜索条件](#)

■ [搜索特定打印机](#)

设置打印机的搜索条件

1. [启动 IJ Network Device Setup Utility。](#)
2. 在选项菜单上选择**搜索设定...**。
出现**搜索设定**屏幕。
3. 输入打印机的搜索条件。



1. **搜索时间:**
指定搜索打印机的时间。
2. **超时:**
指定未收到打印机响应的超时时间。

►► 注释

- 由于值较大，会更容易检测到要寻找的打印机，但搜索可能花费一些时间。

4. 单击**设置**。

搜索特定打印机

1. [启动 IJ Network Device Setup Utility。](#)

2. 在选项菜单上选择指定的搜索...

出现指定的搜索屏幕。

3. 选择要指定的项目并输入值。



1. **IPv4 地址**

指定要搜索的打印机的 IPv4 地址。

2. **IPv6 地址**

指定要搜索的打印机的 IPv6 地址。

3. **主机名称**

指定要搜索的打印机的主机名称。

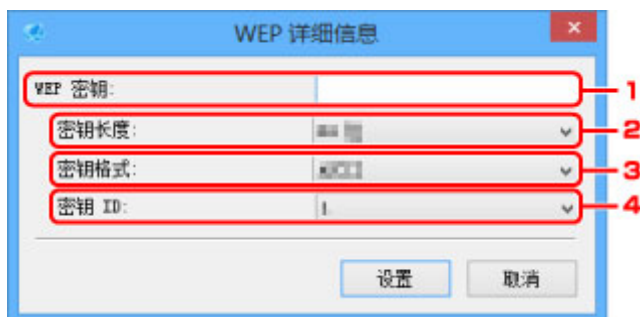
4. 单击**搜索**。

IJ Network Device Setup Utility 开始根据指定的条件进行搜索，并列出检测到的打印机。

如果出现 WEP 详细信息屏幕

如果更改无线路由器以连接到打印机，请根据无线路由器加密方法输入密码。

1. 出现 **WEP 详细信息** 屏幕时，输入以下项目。



- 1. WEP 密钥:**

输入与无线路由器中设置相同的密钥。

根据密钥长度和密钥格式组合的不同，可以输入的字符数和字符类型会有所不同。

		密钥长度:	
		64 位	128 位
密钥格式:	ASCII	5 个字符	13 个字符
	十六进制(十六进制)	10 位数	26 位数

- 2. 密钥长度:**

选择 **64 位** 或 **128 位**。

- 3. 密钥格式:**

选择 **ASCII** 或 **十六进制**。

- 4. 密钥 ID:**

选择为无线路由器设置的密钥 ID(索引)。

2. 单击**设置**。

重要事项

- 如果打印机的加密类型切换后打印机无法与计算机通讯，请确保计算机和无线路由器的加密类型与打印机设置的加密类型匹配。

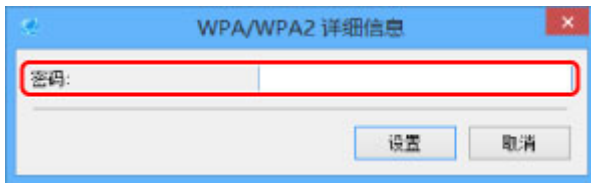
如果出现 WPA/WPA2 详细信息屏幕

如果更改无线路由器以连接到打印机，请根据无线路由器加密方法输入密码。

1. 出现 **WPA/WPA2 详细信息** 屏幕时，输入密码。

输入为无线路由器设置的密码。此密码应为以 8 到 63 个字母数字字符的字符串或 64 位的十六进制数值。

如果不知道无线路由器密码，请参阅无线路由器附带的说明手册或联络其制造商。



2. 单击**设置**。

重要事项

- 如果打印机的加密类型切换后打印机无法与计算机通讯，请确保计算机和无线路由器的加密类型与打印机设置的加密类型匹配。

检查网络状态

- ▶ 检查无线网络状态
- ▶ 显示计算机网络信息
- ▶ 显示打印机网络信息
- ▶ 检查打印机和无线路由器之间的连接状态
- ▶ 查看网络设置差异

检查无线网络状态

请按照以下步骤检查打印机和计算机之间的无线网络状态(信号强度)。

如果无线 LAN 连接发生错误，从此菜单检查网络状态。

1. [启动 IJ Network Device Setup Utility。](#)

列出检测到的打印机。

2. 选择打印机以从打印机列表中检查无线网络状态。

选择**状态**显示为**可用**的打印机。

3. 在打印机菜单上选择**检查无线通讯状态**。

出现**确认打印机密码**屏幕。

有关密码的更多信息，请参阅**管理员密码**。

4. 输入密码并单击**确定**。

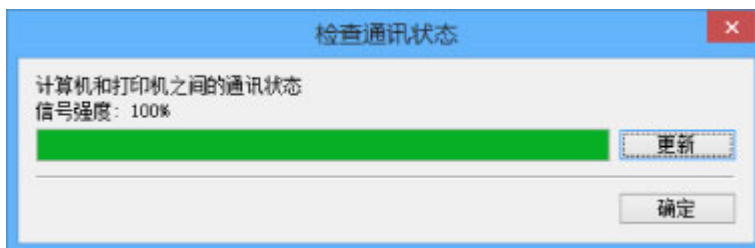
- 如果打印机通过无线路由器连接到计算机：

出现以下屏幕。



- 如果打印机通过直接连接连接到计算机：

出现以下屏幕。



单击**更新**将再次测量信号强度。

5. 单击**确定**关闭屏幕。

显示计算机网络信息

请按照以下步骤显示计算机的网络信息，该计算机与 **IJ Network Device Setup Utility** 屏幕中选择的打印机相连接且安装有 **IJ Network Device Setup Utility**。

1. [启动 IJ Network Device Setup Utility。](#)

2. 在视图菜单上选择**计算机网络信息**。

出现以下屏幕。



单击**复制信息**会复制剪贴板上的所有网络信息。

3. 单击**确定**关闭屏幕。

显示打印机网络信息

请按照以下步骤显示打印机网络信息。

1. [启动 IJ Network Device Setup Utility。](#)

列出检测到的打印机。

2. 选择打印机以从打印机列表中显示网络信息。

选择**状态**显示为**可用**的打印机。

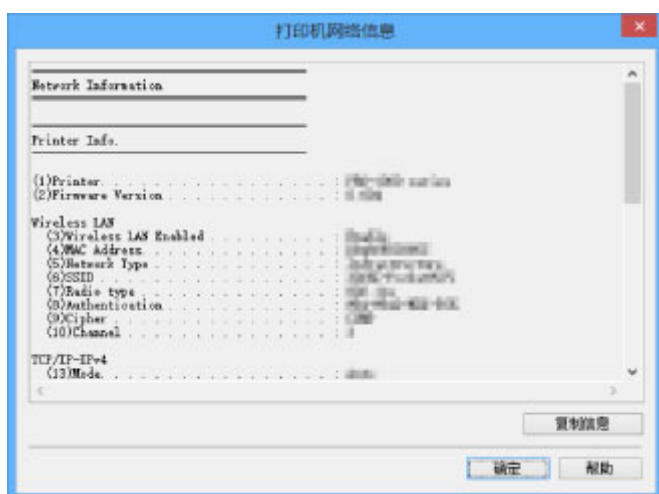
3. 在视图菜单上选择**打印机网络信息**。

出现**确认打印机密码**屏幕。

有关密码的更多信息，请参阅**管理员密码**。

4. 输入密码并单击**确定**。

出现以下屏幕。



单击**复制信息**会复制剪贴板上的所有网络信息。

5. 单击**确定**关闭屏幕。

检查打印机和无线路由器之间的连接状态

请按照以下步骤检查打印机检测到的无线路由器信息。

检测打印机周围的无线路由器并列出检测到的路由器。 使用此菜单确保打印机放置正确。

1. [启动 IJ Network Device Setup Utility。](#)

列出检测到的打印机。

2. 选择打印机以从打印机列表中检查打印机和无线路由器之间的连接状态。

选择**状态**显示为**可用**、**连接方法**显示为**无线 LAN** 的打印机。

3. 在视图菜单上选择打印机和无线路由器的连接状态。

出现**确认打印机密码**屏幕。

有关密码的更多信息，请参阅**管理员密码**。

4. 输入密码并单击**确定**。

出现以下屏幕。



单击**更新**将再次搜索无线路由器。

5. 单击**确定**关闭屏幕。

查看网络设置差异

如果无法使用之前在网络上用过的打印机，将当前网络状态与之前能够使用打印机时的状态相比较，并检查不同之处。

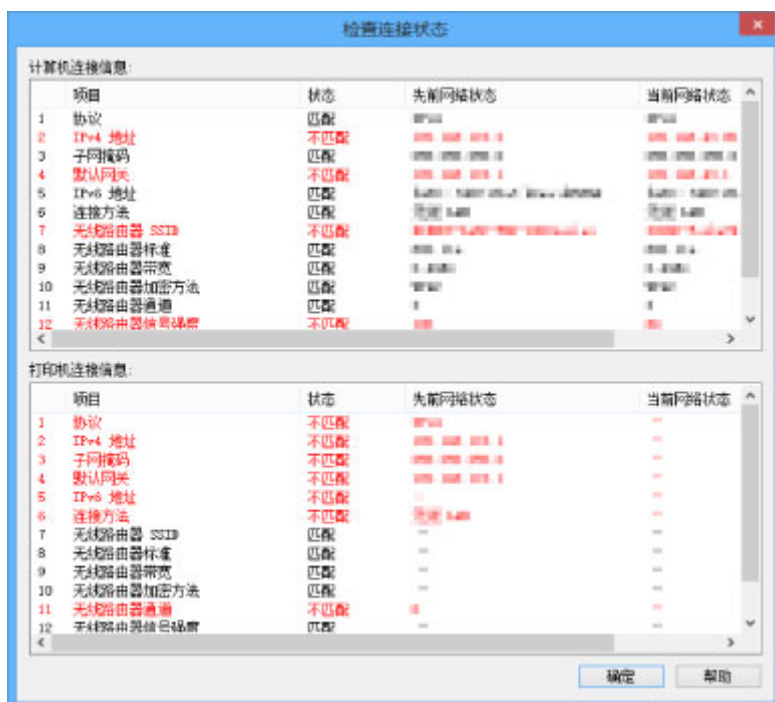
1. 启动 IJ Network Device Setup Utility。

列出检测到的打印机。

2. 从打印机列表中选择状态显示为未知或未设置的打印机。

3. 在视图菜单上选择检查连接状态。

出现以下屏幕。



如果之前使用打印机时的网络状态不同于当前状态，状态上会出现不匹配，并且项目显示为红色。检查红色的项目。

4. 单击确定关闭屏幕。

IJ Network Device Setup Utility 菜单

- ▶ 打印机菜单
- ▶ 视图菜单
- ▶ 选项菜单
- ▶ 帮助菜单

打印机菜单

本节描述打印机菜单上显示的项目。



1. 协议设置...

执行有线或无线 LAN 设置。

- [执行/更改有线 LAN 设置](#)
- [执行/更改无线 LAN 设置](#)

2. 打印机详细设置...

指定打印机设备名称和位置名称。

- [指定打印机信息](#)

3. 重置 LAN 设置

初始化打印机 LAN 设置。

- [初始化网络设置](#)

4. 更改密码...

更改为打印机指定的密码。

- [更改管理员密码](#)

5. 检查无线通讯状态

检查无线 LAN 通讯状态。

- [检查无线网络状态](#)

6. 使用网页浏览器设置设备

检查打印机信息，或在网页上执行详细设置。

注 释

- 可以在以下操作系统和 Web 浏览器上使用该功能。

操作系统：Windows Vista SP2 或更高版本

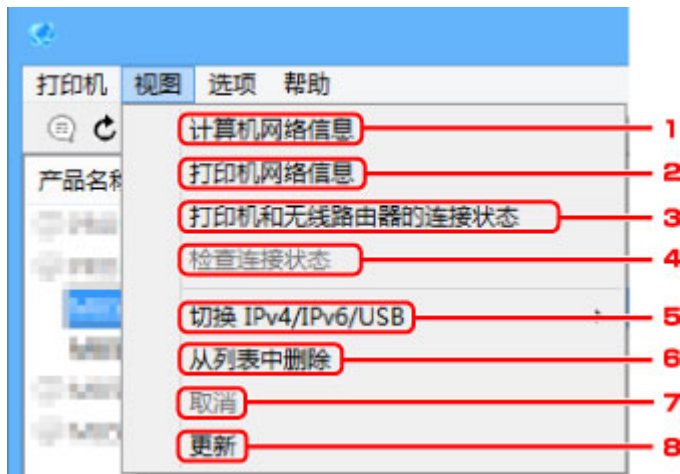
Web 浏览器：Internet Explorer 9 或更高版本、Google Chrome 41.0.2272.118m 或更高版本、
Mozilla Firefox 37.0.1 或更高版本

7. 退出

完成 IJ Network Device Setup Utility。

视图菜单

本节描述视图菜单上显示的项目。



1. 计算机网络信息

检查计算机网络信息。

■ [显示计算机网络信息](#)

2. 打印机网络信息

检查打印机网络信息。

■ [显示打印机网络信息](#)

3. 打印机和无线路由器的连接状态

搜索无线路由器并检查打印机检测到的无线路由器信息(无线通道、通讯状态和信号强度)。

■ [检查打印机和无线路由器之间的连接状态](#)

4. 检查连接状态

如果无法使用之前在网络上用过的打印机，将当前网络状态与之前能够使用打印机时的状态相比较，并检查不同之处。

■ [查看网络设置差异](#)

5. 切换 IPv4/IPv6/USB

切换 IPv4 打印机和 IPv6 打印机之间的打印机列表。对于部分型号，可以列出连接 USB 的打印机。


6. 从列表中删除

从打印机列表中删除选择的打印机。

7. 取消

取消打印机搜索。


注釋

- 还可以通过单击  图标取消打印机搜索。

8. 更新

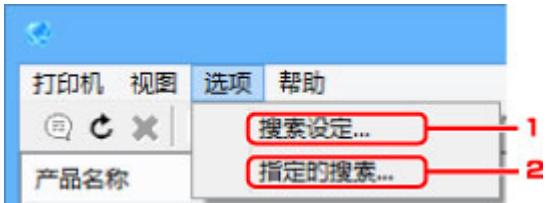
重新搜索打印机。

注釋

- 还可以通过单击  图标再次搜索打印机。

选项菜单

本节描述选项菜单上显示的项目。



1. 搜索设定...

指定打印机搜索标准。

■ [设置打印机的搜索条件](#)

2. 指定的搜索...

按 IP 地址或主机名称搜索打印机。

■ [搜索特定打印机](#)

帮助菜单

本节描述帮助菜单上显示的项目。



1. 在线手册

显示该指南。

2. 连接无线 LAN 时的注意事项

显示无线 LAN 连接的注意事项信息。

3. 更改有线/无线 LAN 连接

显示为选择的打印机更改 LAN 连接方法(有线或无线)的信息。

4. 关于

显示 IJ Network Device Setup Utility 版本信息。

其它网络信息

- ▶ [技术术语](#)
- ▶ [限制](#)
- ▶ [防火墙](#)

技术术语

本节说明手册中使用的技术术语。

- [A](#)
- [B](#)
- [C](#)
- [D](#)
- [E](#)
- [H](#)
- [I](#)
- [K](#)
- [L](#)
- [M](#)
- [O](#)
- [P](#)
- [R](#)
- [S](#)
- [T](#)
- [U](#)
- [W](#)

A

- **AP 模式**

在没有访问点(无线路由器)的环境中,打印机会用作访问点来连接外部无线通讯设备(如计算机、智能手机或平板电脑)。使用 AP 模式(直接连接)最多可以将 5 台设备连接到打印机。

- **Ad-hoc**

在对等的基础上发生无线通讯的客户端计算机和打印机设置,即所有具有相同 SSID/网络名称的客户端直接进行相互通讯。不需要无线路由器。本打印机不支持临时通讯。

- **管理员密码**

IJ Network Device Setup Utility 中的管理员密码用于限制访问网络用户。要访问打印机并更改打印机设置,必须输入管理密码。

- **AES**

一种加密方法。该方法对于 WPA 是可选的。美国政府机构内部采用的用于信息处理的增强式密码编译演算法。

- **验证方法**

无线路由器通过无线 LAN 验证打印机的方法。通过验证方法,可使无线路由器和打印机能够相互访问。

对于 WPA/WPA2,其验证方法是 PSK。

B

- **Bonjour**

内置于 Mac OS X 操作系统的服务，以自动检测网络上的可连接设备。

C

- **无电缆线设置**

直接使用设备(如智能手机)而不依靠无线路由器指定无线路由器设置。

- **通道**

无线通讯的常用通道。在架构模式中，会自动调整通道以匹配无线路由器的设置。本打印机支持通道 1 至 13。(根据购买国家或地区的不同，不支持通道 12 和通道 13。)请注意，根据国家或地区的不同，可以用于无线 LAN 的通道数量会有所不同。

D

- **默认网关**

连接至另一个网络的机电设备如路由器或计算机。

- **默认路由器地址**

为路由器设置的默认 IP 地址。

- **DHCP 服务器功能**

网络上的打印机或个人计算机无论何时启动，路由器都会自动为其指派 IP 地址。

- **DHCPv6**

计算机连接到网络时自动指定必要信息的协议。启用 IPv6 后可以使用 DHCPv6。

- **直接连接(AP 模式)**

在没有无线路由器的环境中，打印机会用作访问点来连接外部无线通讯设备(如计算机、智能手机或平板电脑)。使用直接连接(AP 模式)最多可以将 5 台设备连接到打印机。

- **DNS 服务器**

将设备名称转换为 IP 地址的服务器。手动指定 IP 地址时，请同时指定主服务器和辅助服务器的地址。

F

- **防火墙**

是用于阻止网络中的非法计算机访问的系统。可以使用宽带路由器、安装在计算机中的安全性软件或计算机操作系统中的防火墙功能进行阻止。

H

- **主机名称**

为能轻松识别网络计算机或打印机而设置的名称。通常使用单字节字母数字字符。

I

- **IEEE802.11b**

无线 LAN 的国际标准，使用最大传输量为 11Mbps 的 2.4GHz 频率范围。

- **IEEE802.11g**

无线 LAN 的国际标准，使用最大传输量为 54Mbps 的 2.4GHz 频率范围。与 802.11b 兼容。

- **IEEE802.11n**

无线 LAN 的国际标准，使用 2.4GHz 和 5GHz 的频率范围。即使同时使用两个或多个天线或者在同一时间使用多个通讯通道获得比以前更大的传输率，传送速度也会受已连接设备的影响。

以 600Mbps 的最大传输率，其可与在大约 12 米的半径内的多个计算机终端进行通讯。

与 802.11b 和 802.11g 兼容。

- **基础结构**

一种无线通讯方法。无线通讯设备(例如计算机或打印机)通过无线路由器连接至网络。

- **IP 地址**

由句点分隔为四部分的唯一数字。每个连接到互联网的网络设备都有一个 IP 地址。示例：
192.168.0.1

IP 地址通常由无线路由器或路由器的 DHCP 服务器自动指派。

- **IPv4/IPv6**

是互联网上使用的互联网络协议。IPv4 使用 32 位地址，IPv6 使用 128 位地址。

K

- **密钥格式**

选择 **ASCII** 或 **十六进制** 作为 WEP 密钥格式。根据所选密钥格式的不同，可用作 WEP 密钥的字符会有所不同。

- **ASCII**

指定一个包含字母数字字符和下划线 “_” 字符的长度为 5 或 13 的字符串。区分大小写。

- **十六进制**

指定一个包含十六进制字符(0 到 9、A 到 F 以及 a 到 f)的 10 位数串或 26 位字符串。

- **密钥长度**

WEP 密钥的长度。选择 64 位或 128 位。密钥长度越长就可以设置越复杂的 WEP 密钥。

L

- **本地链路地址**

从特定前缀(当前网络信息: fe80::)自动生成的 IP 地址和从打印机 MAC 地址生成的接口标识符。

- **连接质量**

无线路由器和打印机之间除噪音(干扰)外的连接状态, 以 0 到 100%的数值指示。

- **LPR**

TCP/IP 网络中使用的一种平台独立的打印协议。该协议不支持双向通讯。

M

- **MAC 地址**

也称为物理地址。由网络设备制造商为其指派的唯一且永久的硬件标识符。MAC 地址是由冒号分隔的长度为 48 位的十六进制数字, 例如: 11:22:33:44:55:66。

O

- **操作状态**

指示关于打印机是否可用的状态。

P

- **前缀长度**

IP 地址网络部分的位数。IPv4 的位数为 8 位至 24 位, IPv6 的位数为 64 位。

- **代理服务器**

将 LAN 连接的计算机链接到互联网的服务器。使用代理服务器时, 请指定代理服务器的地址和端口号。

- **PSK**

由 WPA/WPA2 授权的加密方法。

R

- **路由器**

连接到另一个网络的机电设备。

S

- **信号强度**

打印机从无线路由器接收到的信号强度, 以 0 到 100%的数值表示。

- **SSID**

无线 LAN 的特有标签。通常表示为网络名称或无线路由器名称。

SSID 会区别各个无线 LAN 以防止干扰。

在同一个无线 LAN 上的打印机和所有客户端都必须使用相同的 SSID 以便能够相互通讯。SSID 最长为 32 个字符，并且由字母数字字符组成。SSID 也可以由其网络名称指定。

- **隐形**

在隐形模式中，无线路由器通过不广播其 SSID 将自身隐藏起来。客户端必须指定为无线路由器设置的 SSID 以对其进行检测。

- **有状态地址**

使用 DHCPv6 从 DHCP 服务器获取的 IPv6 地址。

- **无状态地址**

使用 RA(路由器公告)所含前缀和 MAC 地址自动生成的临时 IPv6 地址。IPv6 地址在无法使用 DHCP 服务器的环境中生成。

- **子网掩码**

IP 地址由两部分组成，网络地址和主机地址。子网掩码用于从 IP 地址计算出子网掩码地址。子网掩码通常由无线路由器或路由器的 DHCP 服务器自动指派。

示例：

IP 地址：192.168.127.123

子网掩码：255.255.255.0

子网掩码地址：192.168.127.0

T

- **TCP/IP**

一组用于连接互联网或 LAN 上的主机的通讯协议。该协议允许不同的终端机相互通讯。

- **TKIP**

由 WPA/WPA2 授权的加密协议。

U

- **USB**

为“热交换”设备设计的串行接口，无须关闭电源即可进行插拔。

W

- **WCN (Windows Connect Now)**

运行 Windows Vista 或更高版本的用户可以通过无线网络(WCN-NET)直接获得设置信息。

- **WEP/WEP 密钥**

由 IEEE 802.11 授权的加密方法。用于加密和解密通过无线网络发送的数据的共享安全性密钥。本打印机支持长度为 64 位或 128 位、格式为 ASCII 编码或十六进制以及数字为 1 到 4 的密钥。

- **Wi-Fi**

对基于 IEEE 802.11 规格的无线 LAN 产品的互用性进行认证的国际联盟。

本打印机为 Wi-Fi 授权的产品。

- **无线 LAN**

通过无线技术而非实体缆线连接的网络，如 Wi-Fi。

- **无线路由器**

从无线客户端/打印机接收信息并将信息转播的无线电收发器或基站。这是结构网络中所必需的。

- **WPA**

由 Wi-Fi 联盟在 2002 年 10 月宣告的安全性架构。其安全性比 WEP 有所增强。

- 验证

WPA 定义以下验证方法：PSK(可以无需验证服务器直接使用)和 WPA-802.1x(需要验证服务器)。

本打印机支持 WPA-PSK。

- 密码

此加密密钥用于执行 WPA-PSK 认证。

此密码应为以 8 到 63 个字母数字字符的字符串或 64 位的十六进制数值。

- **WPA2**

作为 WPA 的更高版本，由 Wi-Fi 联盟在 2004 年 9 月发布的安全性架构。通过高级加密标准(AES)提供了更强的加密机制。

- 验证

WPA2 定义以下验证方法：PSK(可以无需验证服务器直接使用)和 WPA2-802.1x(需要验证服务器)。

本打印机支持 WPA2-PSK。

- 密码

此加密密钥用于执行 WPA2-PSK 验证。

此密码应为以 8 到 63 个字母数字字符的字符串或 64 位的十六进制数值。

- **WPS (Wi-Fi Protected Setup)**

WPS 是用于简化并安全地建立无线网络的标准。

Wi-Fi Protected Setup 使用两种主要方法：

PIN 输入：用于所有 WPS 认证设备的强制性设置方法

单键加密(PBC)：硬件上的实际按钮或通过软件中的模拟按钮。

限制

如果通过无线 LAN 使用打印机，打印机可能会识别出附近的无线系统，需要为访问点设置网络密钥(WEP 或 WPA/WPA2)以加密无线传输。无法保证与不符合 Wi-Fi 标准的产品之间无线通讯。

连接过多的计算机可能会影响打印机性能，例如打印速度。

如果使用直接连接的打印机，则无法执行以下设置：

- 手动指定 IP 地址
- 启用/禁用 IPv6

防火墙

防火墙是安装在计算机中或计算机操作系统中的安全软件的一项功能，也是一种用于防止未经授权访问网络的系统。

启用防火墙功能时的注意事项

- 防火墙功能可能会限制打印机和计算机之间的通讯。这样可能会禁用打印机设置和通讯。
- 在进行打印机设置时，根据安全软件或操作系统中的防火墙功能的不同，可能会出现启用或禁用通讯的提示信息。如果出现该提示信息，请选择启用通讯。
- 在使用 IJ Network Device Setup Utility 时，根据安全软件的防火墙功能的不同，可能会出现启用或禁用通讯的提示信息。如果出现该提示信息，请选择启用通讯。
- 如果无法设置打印机，暂时禁用安全软件或操作系统的防火墙功能。

重要事项

- 如果禁用了防火墙功能，请将局域网络从 Internet 断开。
- 某些应用程序(如网络配置软件)会覆盖防火墙设置。请预先检查应用程序的设置。
- 如果将所使用的打印机设置为**自动获取 IP 地址**，则每当打印机连接到网络时 IP 地址都会更改。根据防火墙设置的不同，这样可能会禁用打印机设置和通讯。在这种情况下，请更改防火墙设置或为打印机指定一个固定 IP 地址。可以使用 IJ Network Device Setup Utility 设置 IP 地址。

■ [执行/更改有线 LAN 设置](#)

■ [执行/更改无线 LAN 设置](#)

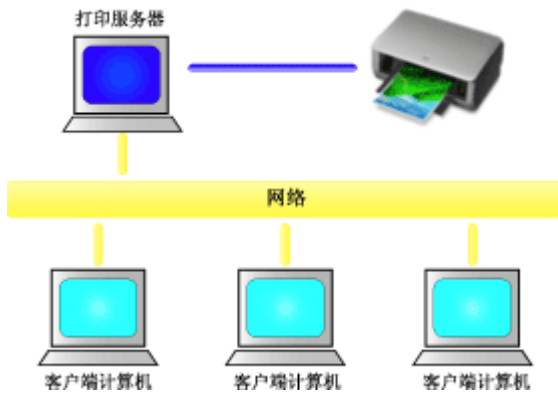
为打印机指定固定 IP 地址时，需要指定一个计算机能够与之通讯的 IP 地址。

注释

- 有关操作系统防火墙的设置或安全软件防火墙设置的详细资料，请参阅计算机或软件的说明手册或联系其制造商。

在网络上共享打印机(Windows)

当在网络环境中使用计算机时，可以从共享同一打印机的多台计算机打印文档。



- [设置共享打印机](#)

本节描述如何设置打印服务器和客户端。

►► 注释

- 连接到网络中的各计算机的 Windows 版本并不要求相同。
- 要设置传真驱动程序，请使用相同的步骤。

相关主题

- [打印机共享的限制](#)

设置共享打印机

在打印服务器上设置打印机驱动程序的共享。然后从客户端设置与打印服务器的连接。

1. 在打印服务器系统上[安装打印机驱动程序](#)

2. 根据以下说明进行选择：

- 如果正在使用 Windows 10，右键单击**开始菜单**，然后选择**控制面板 -> 硬件和声音 -> 设备和打印机**。
显示**设备和打印机**窗口。
- 如果正在使用 Windows 8.1、Windows 8、Windows Server 2012 R2 或 Windows Server 2012，从桌面的超级按钮中选择**设置 -> 控制面板 -> 硬件和声音(硬件) -> 设备和打印机**。
显示**设备和打印机**窗口。
- 如果正在使用 Windows 7 或 Windows Server 2008 R2，选择**开始菜单 -> 控制面板 -> 硬件和声音(硬件) -> 设备和打印机**。
显示**设备和打印机**窗口。
- 如果正在使用 Windows Vista 或 Windows Server 2008，选择**开始菜单 -> 控制面板 -> 硬件和声音 -> 打印机**。
显示**打印机**窗口。

3. 单击要共享的打印机型号名称的图标

- 如果正在使用 Windows 10、Windows 8.1、Windows 8、Windows 7、Windows Server 2012 R2、Windows Server 2012 或 Windows Server 2008 R2，请按 Alt 键，然后从显示的**文件菜单**中选择**打印机属性 -> 共享选项卡**。
- 如果正在使用 Windows Vista，请按 Alt 键，然后从显示的**文件菜单**中选择**以管理员身份运行 -> 共享...**。
- 如果正在使用 Windows Server 2008，请从**文件菜单**中选择**共享...**。

»» 重要事项

- 启动软件并执行安装或卸载时，可能会出现确认或警告对话框。
当需要管理权限以执行任务时，会出现该对话框。
当您以计算机管理员帐户登录时，单击**是(或继续、允许)**以继续。
有些应用程序需要计算机管理员帐户才能继续。在这种情况下，请切换到管理员帐户，然后重新开始操作。

4. 设置共享

根据需要，在**共享选项卡**上选中(或选择)**共享这台打印机**，设置共享名称，然后单击**确定**。

5. 如果打印服务器和客户端具有不同的体系结构(32 位或 64 位)，请安装附加驱动程序

1. 显示**设备和打印机、打印机或打印机和传真**窗口。
2. 根据以下说明进行选择：
 - 如果正在使用 Windows 10、Windows 8.1、Windows 8、Windows 7、Windows Server 2012 R2、Windows Server 2012 或 Windows Server 2008 R2，请选择打印机图标，单击**打印服务器属性**，然后选择**驱动程序选项卡**。

- 如果正在使用 Windows Vista，请按 Alt 键，然后从显示的文件菜单中选择**以管理员身份运行** - > “**服务器属性...**”，然后选择**驱动程序**选项卡。
 - 如果正在使用 Windows Server 2008，请从文件菜单打开**服务器属性**，然后选择**驱动程序**选项卡。
3. 单击**添加...**。
 4. 当显示**添加打印机驱动程序向导**窗口时，单击**下一步**。
 5. 如果打印服务器具有 32 位体系结构，选择 **x64**。如果打印服务器具有 64 位体系结构，选择 **x86**。然后单击**下一步**。
 6. 单击**从磁盘安装...**。
 7. 在**从磁盘安装**窗口中，打开已下载打印机驱动程序的“Driver”文件夹，指定“inf”文件，然后单击**确定**。
 8. 选择要使用的打印机，单击**下一步**。

注 释

- 如果显示错误信息，则选择其他打印机。

9. 单击**完成**

打印服务器系统上的设置完成。下一步，设置客户端系统。

6. 在客户端，打开 Explorer，双击要共享的打印机的图标

7. 请按照窗口上的说明安装打印机驱动程序

客户端系统上的设置完成。

即使在不同客户端执行设置时，也请遵循相同的步骤 6 和步骤 7。

打印机共享的限制

使用 XPS 打印机驱动程序时，无法使用 Canon imagePROGRAF Preview。

当在网络环境中使用打印机时，会存在一些限制。请确认所使用环境的限制。

设置打印机共享的限制

- 如果从**添加打印机**安装驱动程序时要求指定“ntprint.inf”，请按如下所示指定文件：
 1. 在打印服务器和具有不同体系结构的客户端上启动 Explorer，将以下路径粘贴到地址栏，在键盘上按 Enter 键：
%windir%\system32\driverstore\
 2. 右键单击 **FileRepository** 文件夹并单击**属性**。
 3. 单击**共享**选项卡上的**共享**。
 4. 在打印服务器上显示的信息窗口中，指定在步骤 3 中共享的文件夹中的“ntprint.inf_xxxxxxx”，然后单击**确定**。
如果存在多个副本，选择更新日期和时间最新的文件。

共享和使用打印机的限制

- 可能会出现打印完成的信息。要禁止此消息出现，请遵循以下步骤操作。
 - 如果正在使用 Windows 10、Windows 8.1、Windows 8、Windows Server 2012 R2 或 Windows Server 2012：
在客户端系统的**设备和打印机**窗口，从**打印机**中选择打印机，然后在命令栏上单击**打印服务器属性**。
不选中**高级**选项卡上的**显示网络打印机的信息通知**，然后重新启动计算机。
 - 如果正在使用 Windows 7 或 Windows Server 2008 R2：
在客户端系统的**设备和打印机**窗口，从**打印机和传真**中选择打印机，然后在命令栏上单击**打印服务器属性**。
不选中**高级**选项卡上的**显示网络打印机的信息通知**，然后重新启动计算机。
 - 如果正在使用 Windows Vista：
在客户端系统的**打印机**窗口按 Alt 键，然后从显示的文件菜单中单击**以管理员身份运行 -> 服务器属性...**。
不选中**高级**选项卡上的**显示网络打印机的信息通知**，然后重新启动计算机。
 - 如果正在使用 Windows Server 2008：
在客户端系统的**打印机**窗口中，从文件菜单单击**服务器属性...**。
不选中**高级**选项卡上的**显示网络打印机的信息通知**，然后重新启动计算机。
- 双向通信功能被禁用且正确的打印机状态可能不会被识别。
如果客户端用户打开打印机驱动程序属性对话框，然后在**端口**选项卡上取消选中**启用双向支持**复选框并单击**确定**，则打印服务器的双向通信功能也将被禁用。
在这种情况下，在打印服务器系统和客户端系统都选中**启用双向支持**复选框。
- 从客户端系统打印时，无法使用以下功能。
 - Canon imagePROGRAF Preview
 - Canon imagePROGRAF Free Layout
 - 从 PosterArtist Lite 编辑
- 当无法从客户端系统适当地设置**维护**选项卡上的功能时，那么它们可能会被置灰。在这种情况下，请从打印服务器上更改设置。

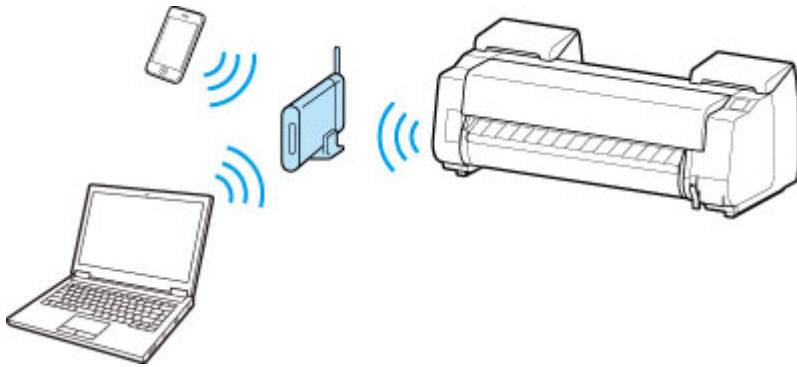
当更改打印服务器的设置时，您需要从客户端系统删除共享打印机的图标，然后再次在客户端系统指定共享设置。

- 如果在客户端上安装的驱动程序与打印服务器上安装的驱动程序相同，则可能会自动创建网络打印机图标。
- 如果从客户端将文档打印到共享打印机时发生错误，Canon IJ 状态监视器的错误信息将同时显示在客户端和打印服务器上。如果正常打印输出文档，Canon IJ 状态监视器将仅显示在客户端。

通过无线 LAN 将智能手机/平板电脑连接到打印机

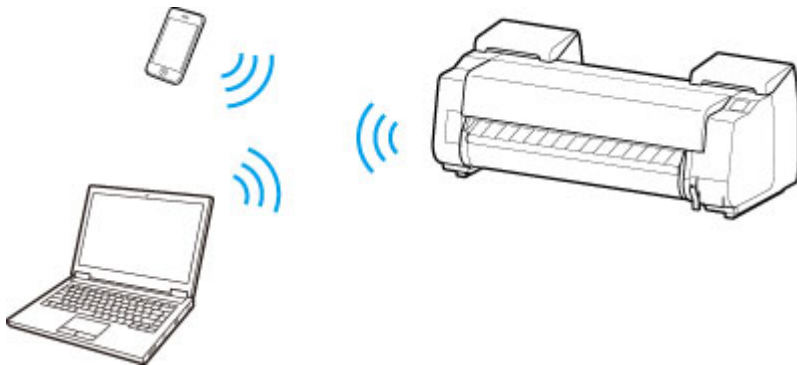
- 如要通过无线 LAN 路由器将智能手机或平板电脑连接到打印机：

- [通过无线 LAN 路由器将智能手机/平板电脑连接到打印机](#)



- 如要不使用无线 LAN 路由器将智能手机或平板电脑连接到打印机：

- [通过无线 LAN 将智能手机/平板电脑直接连接到打印机\(直接连接\)](#)



通过无线 LAN 路由器将智能手机/平板电脑连接到打印机

可以通过以下两种方法将设备(例如智能手机或平板电脑)连接至打印机。

- 无线连接(通过无线路由器连接设备)
- 直接无线连接(使用直接连接连接设备)

本节介绍如何通过无线 LAN 路由器进行连接。

按照以下步骤通过无线路由器进行连接。

1. [检查打印机的 LAN 设置。](#)
2. [将智能手机/平板电脑连接到打印机。](#)

重要事项


- 如果已启用使用操作面板更改设置，则更改设置需要管理员密码。
- 检查使用限制并更改打印机的 LAN 设置。

限制

检查打印机的 LAN 设置

确保主页屏幕的右上角显示  图标。



如果不显示  图标，根据以下步骤启用无线 LAN 并将打印机连接到无线路由器。

1. 滑动主页屏幕，然后点击  LAN 设置。

菜单操作

2. 点击**更改 LAN**。
3. 点击**启用无线 LAN**。

已启用打印机无线 LAN，可以连接之前连接过的无线 LAN。

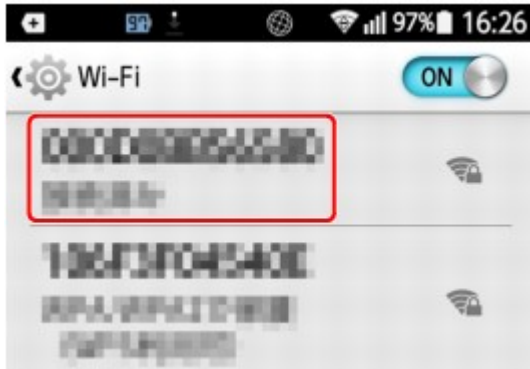
将智能手机/平板电脑连接到打印机

对于 Android 设备

对于 iOS 设备

- 对于 Android 设备

1. 打开设备上的“设置”菜单。
2. 启用“Wi-Fi”。
3. 从检测到的设备列表中选择所使用的无线路由器 SSID。



4. 输入无线 LAN 路由器密码。
设备已连接到打印机。
5. 从应用程序开始打印。

• 对于 iOS 设备

1. 打开设备上的“设置”菜单。
2. 启用“Wi-Fi”。
3. 从检测到的设备列表中选择所使用的无线路由器 SSID。



4. 输入无线 LAN 路由器密码。
设备已连接到打印机。
5. 从应用程序开始打印。

用于获得更高打印质量的调整

▶ 调整打印头

- 调整打印头
- 改善纸张的摩擦和图像的模糊

▶ 调整进纸量

- 调整进纸量
- 调整真空强度

调整打印头

→ [调整打印头](#)

→ [改善纸张的摩擦和图像的模糊](#)

调整打印头

如果打印的文档受以下问题影响，请尝试调整打印头。

- 打印模糊，或出现色调不同的条纹

从触摸屏菜单执行**打印喷嘴检查图案**以检查打印头喷嘴是否堵塞。

关于确认方法，请参见“[检查喷嘴是否堵塞](#)”。

- 打印的纵向线条歪斜或出现彩色边纹

从触摸屏菜单执行**打印头对齐**以调整打印头位置。

通常，执行**自动(标准)**或**自动(精细)**。但是，在特殊纸张上打印时或执行**自动(精细)**后打印结果未改善时，请尝试执行**手动**。

➔ [自动调整纵向线条的歪斜或彩色边纹](#)

➔ [手动调整纵向线条的歪斜或彩色边纹](#)

- 纸张摩擦打印头或图像边缘模糊

在触摸屏菜单中设置**纸张厚度(打印头高度)**并更改打印头的高度可能会改善此情况。

➔ [改善纸张的摩擦和图像的模糊](#)

自动调整纵向线条的歪斜或彩色边纹

如果打印的竖线歪斜或出现色差，则执行**打印头对齐**并调整打印头位置。

选择**自动(标准)**或**自动(精细)**以自动调整打印头。

执行**自动(标准)**通常可以改善轻微的倾斜和色差。如果仍没有改善，请执行**自动(精细)**。

执行**自动(标准)**或**自动(精细)**时，会打印调整图案，并会根据打印结果自动调整打印头位置。



重要事项

- 不能使用描图纸，半透明磨砂胶片及透明胶片。
- 如果使用特殊纸张无法进行预期的调整时，请尝试其他纸张类型或尝试**手动调整**。

➔ [手动调整纵向线条的歪斜或彩色边纹](#)

注释

- 调整的结果根据调整所用的纸张类型会有所不同，因此请使用与打印时相同的纸张类型。
- 要更改纸张类型或使用更美观的色彩边框，请执行**自动(标准)**。
- 要确保清晰的打印质量以及在更换打印头后，请执行**自动(精细)**对喷嘴和颜色间的位置进行微调。
要确保高质量的打印结果，建议执行**自动(精细)**。

准备项

使用卷纸时	宽度至少为 254.0 毫米(10.00 英寸)的全新卷纸
使用单页纸时	自动(标准) : 三张全新 A4/Letter 尺寸的纸张或更大的纸张(使用 A2 或更大尺寸时为一张) 自动(精细) : 五张全新 A4/Letter 尺寸的纸张或更大的纸张(使用 A2 或更大尺寸时为一张)

用以下步骤进行调整。

1. 安装纸张。

- ➔ [在卷纸支架上装入卷纸](#)
- ➔ [将上行卷纸装入打印机](#)
- ➔ [在卷纸单元上装入下行卷纸\(选装件\)](#)
- ➔ [将单页纸安装到打印机上](#)

重要事项

- 请务必使安装在打印机上的纸张与打印机设置的介质类型一致。安装的纸张与介质类型的设置值不同时，不能正确调整。

2. 滑动主页屏幕并点击**维护**。

→ [触摸屏](#)

出现**维护**屏幕。

3. 点击**打印头对齐**。

4. 选择并点击**自动(标准)**或**自动(精细)**。

会出现确认信息。

5. 点击**是**。

出现纸张来源设置屏幕。

6. 选择并点击已装入纸张的纸张来源。

打印出调整用图形。

使用卷纸或者 A2 以上尺寸的单页纸进行了打印时，调整到此结束。

7. 如果在尺寸小于 A2 的纸张上打印，则触摸屏上会出现要求继续打印的确认信息。

点击 **OK** 并按照触摸屏上的说明操作。

手动调整纵向线条的歪斜或彩色边纹

如果打印的竖线歪斜或出现色差，则执行打印头对齐并调整打印头位置。

通常，执行自动(标准)。

➔ [自动调整纵向线条的歪斜或彩色边纹](#)

但是，在特殊纸张上打印时或执行自动(精细)后打印结果未改善时，请尝试执行手动。

手动调整需要检查打印的测试图案并输入调整值。



注 释

- 建议使用使用频率最高的纸张进行调整。

准备项

使用卷纸时	宽度至少为 254.0 毫米(10.00 英寸)的全新卷纸
使用单页纸时	三张全新 A4/Letter 尺寸的纸张或更大的纸张(使用 A2 或更大尺寸时为一张)

用以下步骤进行调整。

1. 请安装纸张。

- ➔ [在卷纸支架上装入卷纸](#)
- ➔ [将上行卷纸装入打印机](#)
- ➔ [在卷纸单元上装入下行卷纸\(选装件\)](#)
- ➔ [将单页纸安装到打印机上](#)

重要事项

- 请务必使安装在打印机上的纸张与打印机设置的介质类型一致。安装的纸张与介质类型的设置值不同时，不能正确调整。

2. 滑动主页屏幕并点击**维护**。

➔ [触摸屏](#)

出现**维护**屏幕。

3. 点击**打印头对齐**。

4. 点击**手动**。

会出现确认信息。

►►► 注释

- 如果不执行**自动(精细)**，则会出现提示执行**自动(精细)**的确认信息。
在这种情况下，请点击**是**并执行**自动(精细)**。

5. 点击**是**。

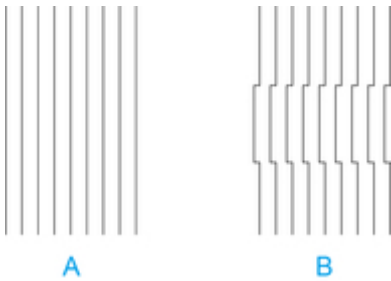
会出现供纸槽设置屏幕。

6. 选择并点击已装入纸张的纸张来源。

打印出调整用图形。

7. 点击**D-1**。

8. 检查调整用测试图案 D-1 并确定竖线的编号。



A. 竖线的示例

B. 线条未对齐的示例

►►► 注释

- 看摆在在一起的 2 个图形，犹豫不定选择哪一个时，请选择中间值。
例如，在编号为 10 和 12 的图形之间犹豫不定时，选择 11。

9. 点击已确认的编号。

10. 重复步骤 7-9，指定**D-2**到**D-35**的调整值。

请注意，不能设置**D-6**、**D-12**、**D-18**、**D-24**和**D-30**。

11. 点击**OK**。

登录调整值，调整结束。

改善纸张的摩擦和图像的模糊

打印头高度设置会影响打印质量。

指定较低的打印头高度可以使图像更清晰、提高打印质量，但可能会使纸张摩擦打印头。

指定较高的打印头高度可以防止纸张摩擦打印头，但可能会降低打印质量。

重要事项

- 如果纸张摩擦打印头或卡住打印头可能会造成卡纸或弄脏打印的文档。

注释

- 请根据问题的实际情况，升高或降低打印头。

→ [打印头摩擦纸张](#)

→ [纸张端部弄脏](#)

→ [像的边缘模糊、出现白色条纹](#)

1. 在主页屏幕上点击纸张设置显示区域。

→ [触摸屏](#)



出现**纸张设置**屏幕。

2. 选择要设置打印头高度的纸张来源，然后点击**纸张设置**。

出现**纸张设置**屏幕。

3. 点击**高级设置**。

出现**高级纸张设置**屏幕。

4. 点击**纸张厚度(打印头高度)**。

5. 选择并点击设置值。

注释

- 使用**自动**会确保打印机在打印前根据环境温度和湿度将打印头高度调整为最佳高度，并在**自动设置时应用**的值中显示为前一打印作业选择的设置值。

➔ **打印机信息**

- 使用**自动**以外的其他设置时，将始终应用该值。
- 根据介质类型，有不能选择的设置值。

调整进纸量

- ▶ 调整进纸量
- ▶ 调整真空强度

调整进纸量

- ▶ 选择进纸量调整方法
- ▶ 自动条纹调整
- ▶ 手动条纹调整
- ▶ 微调进纸量
- ▶ 调整线条长度

选择进纸量调整方法

可使用以下两种方法来调整进纸量：**优先打印质量**和**优先长度准确度**，打印时将应用其中一种方法。

由于打印时应用的方法由**设置优先级**的设置值而定，因此请配置**设置优先级**使其与打印目的相符。

请按照以下步骤执行设置。

1. 装入纸张。

- [将卷纸安装在卷纸支架上](#)
- [将上行卷纸装入打印机](#)
- [将单页纸安装到打印机上](#)

2. 滑动主页屏幕，然后点击 维护。

- [菜单操作](#)

3. 点击**进纸调整**。

4. 点击**设置优先级**。

5. 点击要调整的纸张。

6. 点击设置。

优先打印质量

调整进纸量以减少打印文档页面中出现的条纹。应用**调整打印质量**设置。执行**进纸微调**时，除应用**调整打印质量**设置外，还会应用**进纸微调**设置。

优先长度准确度

调整进纸量以在打印文档中更好地提高线条准确度。

自动

根据打印时在打印机驱动程序中选择的设置来选择**优先打印质量**或**优先长度准确度**。

7. 在显示的屏幕上点击 **OK**。

自动条纹调整

如果页面中打印的图像受不同颜色的条纹影响，则执行**调整打印质量**以自动调整进纸量。
打印机打印并读取用于自动调整进纸量的测试图案。

重要事项

- 使用透明度高的介质时，请使用手动调整。

手动条纹调整

注释

- 如果已更改纸张类型或纸张尺寸，建议执行调整。
- 务必检查**设置优先级**值。
 - [选择进纸量调整方法](#)
- 如果需要执行其他精细调整，则执行**进纸微调**。
 - [微调进纸量](#)
- 使用**调整进纸长度**以确保 CAD 绘图中的线条以完全正确的长度打印。
 - [调整线条长度](#)
- 根据纸张类型，可能会花费一些时间。

准备事项

使用卷纸时	一张宽度至少为 254.0 毫米(10.00 英寸)的全新卷纸
使用单页纸时	两张尺寸至少为 A4/Letter 的全新纸张(或使用 A2 或更大尺寸时为一张)

按照以下步骤进行调整。

1. 装入纸张。

- [将卷纸安装在卷纸支架上](#)
- [将上行卷纸装入打印机](#)
- [将单页纸安装到打印机上](#)

2. 滑动主页屏幕，然后点击 维护。

- [菜单操作](#)

3. 点击**进纸调整**。

4. 点击**调整打印质量**。

5. 点击**自动**。

6. 点击要调整的纸张。

已打印用于调整的测试图案，至此调整已完成。

手动条纹调整

如果打印的图像受不同颜色的条纹影响，则执行**调整打印质量**以调整进纸量。

在透明度高的介质上使用手动调整。

执行手动调整时，打印测试图案后需要输入调整值。

►► 注释

- 如果已更改纸张类型或纸张尺寸，建议执行调整。
- 务必检查**设置优先级**值。
 - [选择进纸量调整方法](#)
- 如果需要执行其他精细调整，则执行**进纸微调**。
 - [微调进纸量](#)
- 使用**调整进纸长度**以确保 CAD 绘图中的线条以完全正确的长度打印。
 - [调整线条长度](#)

准备事项

使用卷纸时	一张宽度至少为 254.0 毫米(10.00 英寸)的全新卷纸
使用单页纸时	两张尺寸至少为 A4/Letter 的全新纸张

按照以下步骤进行调整。

1. 装入纸张。

- [将卷纸安装在卷纸支架上](#)
- [将上行卷纸装入打印机](#)
- [将单页纸安装到打印机上](#)

►► 重要事项

- 请务必确保已装入的纸张与指定的纸张类型相符。除非装入的纸张与设置相符，否则无法正确完成调整。

2. 滑动主页屏幕，然后点击 维护。

- [菜单操作](#)

3. 点击**进纸调整**。

4. 点击**调整打印质量**。

5. 点击**手动**。

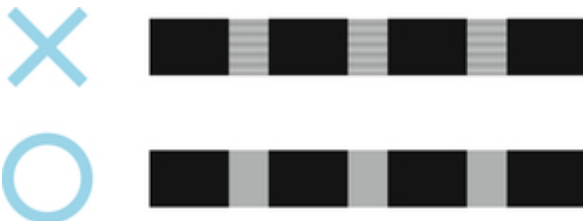
6. 点击要调整的纸张。

打印用于手动调整的测试图案 A。

注 释

- 使用单页纸打印时，请按照屏幕上的用法说明进行操作并取下单页纸。

7. 检查测试图案 A 以进行调整。确定条纹最不显著的图案。



注 释

- 如果两个图案中的条纹都不显著，但无法确定哪个更好，请选择中间值。例如，如果无法决定图案 10 还是 12 更好，请选择 11。

8. 点击已确定的编号。

打印用于手动调整的测试图案 B。

注 释

- 使用单页纸打印测试图案 A 时，按照屏幕上的用法说明执行操作并使用相同纸张类型的纸张。另外，打印测试图案 B 后，按照屏幕上的用法说明取下单页纸。

9. 检查测试图案 B 以进行调整。确定条纹最不显著的图案。

10. 点击已确定的编号。

现已注册调整值，调整结束。


微调进纸量

如果打印的文档对比度不均匀或以 30 毫米(1.2 英寸)间隔出现不同的颜色条纹，请在打印期间尝试执行**进纸微调**以微调进纸量。

»» 注释

- **进纸微调**菜单仅在打印期间显示。
另外，在**进纸调整**下的**设置优先级**中选择**自动**或**优先打印质量**时，也会显示该菜单。
- 务必在执行**进纸微调**之前执行**调整打印质量**。
执行**调整打印质量**后，**进纸微调**值将还原至 0。
 - [自动条纹调整](#)
 - [手动条纹调整](#)

按照以下步骤进行调整。

1. 进行打印时，滑动主页屏幕，然后点击 **维护**。

■ [菜单操作](#)

2. 点击**进纸微调**。

3. 点击值。

此时，如果出现深色条纹，选择 1 到 5 之间的设置值，如果出现浅色条纹，选择-1 到-5 之间的设置值。

调整线条长度

要确保 CAD 绘图中的线条以完全正确的长度打印，请使用**调整进纸长度**以调整纸张送入的长度。

调整进纸长度中有两个选项：**打印对齐图案**和**更改调整值**。

»» 注释

- 如果已更改纸张类型或纸张尺寸，建议执行调整。
- 调整前务必检查**设置优先级值**。

■ 选择进纸量调整方法

准备事项

使用卷纸时	<ul style="list-style-type: none">• 一张宽度至少为 254.0 毫米(10.00 英寸)的全新卷纸• 高精度标尺
使用单页纸时	<ul style="list-style-type: none">• 一张尺寸至少为 A4/Letter 的全新纸张• 高精度标尺

按照以下步骤进行调整。

1. 装入纸张。

- [将卷纸安装在卷纸支架上](#)
- [将上行卷纸装入打印机](#)
- [将单页纸安装到打印机上](#)

»» 重要事项

- 请务必确保已装入的纸张与指定的纸张类型相符。除非装入的纸张与设置相符，否则无法正确完成调整。

2. 滑动主页屏幕，然后点击 维护。

- [菜单操作](#)

3. 点击**进纸调整**。

4. 点击**调整进纸长度**。

5. 点击**打印对齐图案**或**更改调整值**。

- 如果点击**打印对齐图案**：

打印用于测量标尺和计算偏差的测试图案。

标尺以 50 毫米的间距打印“毫米”，以 1 英寸的间距打印“英寸”。



- 如果点击**更改调整值**：

不打印测试图案。而是通过测量已打印的文档来确定偏差。

6. 点击偏差值。

如果标尺比实际尺寸短，则使用正设置值。如果比实际尺寸长，则使用负设置值。

可采用 0.02%的间隔来调整进纸量。

调整真空强度

在重磅纸上或容易卷曲或褶皱的纸上打印时，如果打印头摩擦纸张，则调整压纸滚筒上纸张的吸附力可能会改善打印结果。

重要事项

- 如果纸张摩擦打印头或卡在打印头下，可能会出现卡纸或弄脏打印的文档。

1. 滑动主页屏幕，然后点击纸张信息区域。

菜单操作



2. 点击纸张以在**纸张设置**屏幕上更改真空强度。
3. 点击**纸张设置**。
4. 点击**高级设置**。
5. 点击**传送单元真空强度**。
6. 点击**真空强度**。

色彩管理

- ▶ 数码照片打印指南
- ▶ 色彩校准
 - 管理色彩
 - 执行色彩校准
 - 色彩校准的调整类型
- ▶ **Device Management Console 指南**

色彩校准

- [管理色彩](#)
- [执行色彩校准](#)
- [色彩校准的调整类型](#)

管理色彩

色彩管理(色彩校准)可以修正因打印机之间的个体差异以及老化而导致的色调差异,从而获得持续稳定的修正色调。

可以通过执行色彩校准修正本打印机的色调。

如果您有多台打印机,可以通过对每台打印机执行色彩校准以使所有打印机的色调相同。

执行色彩校准

执行色彩校准可以补偿由于打印机之间的个体差异或老化而出现的细微色彩显示差异,从而提高色彩的一致性。

可以使用操作面板启用或禁用色彩校准调整值、查看校准状态并设置何时需要执行校准的通知。

也可以从 Device Management Console 执行色彩校准。

有关详细信息,请参见以下内容。

➔ Device Management Console 指南(Windows)

➔ Device Management Console 指南(Mac OS)

检查何时执行色彩校准

可以使用计算机屏幕上的进度条确定何时执行色彩校准。

使用 Device Management Console 以查看何时执行色彩校准。

有关详细信息,请参见以下内容。

➔ Device Management Console 指南(Windows)

➔ Device Management Console 指南(Mac OS)

集中管理多台打印机

可以查看多台由网络和 USB 连接的打印机的状态。

也可以设置在打印机出现警告或发生错误时发送电子邮件通知。

使用 Device Management Console 可管理多台打印机。

有关详细信息,请参见以下内容。

➔ Device Management Console 指南(Windows)

➔ Device Management Console 指南(Mac OS)

使用除 Canon 原装纸张以外的纸张

要对除 Canon 原装纸张以外的其他纸张执行色彩校准,必须创建并注册专用的介质信息。

要注册此介质信息,请使用 Media Configuration Tool。

有关详细信息,请参见以下内容。

➔ Media Configuration Tool 指南(Windows)

➔ Media Configuration Tool 指南(Mac OS)

执行色彩校准

色彩校准可以补偿由于打印机之间的个体差异或老化而出现的细微色彩显示差异，从而提高色彩的一致性。

执行色彩校准将打印测试图案(内置于打印机)，然后由打印机自动读取该图案。

通过该操作，会自动设置反映测试图形打印结果的校准调整值。

重要事项

- 要在执行色彩校准时提高色彩稳定性精度，请在每次执行操作时保持恒定的温度[温度范围为 15 到 30°C(59 到 86°F)]和湿度(湿度范围为 40 到 60%)。

在不同温度和湿度条件下执行色彩校准，可能会影响打印机进行正确的调整。

- 在执行色彩校准之前，请确保打印机没有被放置在阳光直射或强光照射的场所。

如果打印机被放置在强光照射的场所，可能无法进行正确的调整。

色彩校准的建议时期

建议在以下情况时使用色彩校准功能。

- 初始安装打印机之后
- 更换打印头后
- 在同一打印环境和条件下使用，色彩与之前显示不一致时
- 要从多台打印机使用一致的色彩打印
- 显示执行指南时

执行色彩校准

使用以下步骤执行色彩校准。

1. 请确认要安装的纸张可用于色彩校准。

➔ [纸张信息列表](#)

2. 安装纸张。

➔ [在卷纸支架上装入卷纸](#)

➔ [将上行卷纸装入打印机](#)

➔ [在卷纸单元上装入下行卷纸\(选装件\)](#)

➔ [将单页纸安装到打印机上](#)

3. 滑动主页屏幕并点击**维护**。

➔ [触摸屏](#)

出现**维护**屏幕。

4. 点击**色彩校准**。

5. 点击**自动调整**。



会出现确认信息。

▶▶▶ **注释**

- 有关除**自动调整**以外的菜单项目的详细资料，请参见请参见“[其他菜单项目](#)”。

6. 点击**是**。

出现纸张来源设置屏幕。

7. 选择并点击已装入纸张的纸张来源。

确认纸张后，会执行色彩校准，且将自动设置校准调整值。

其他菜单项目

- **启用/禁用调整值**

可以选择打印时是否应用校准调整值。

但是，对于不同于打印机驱动程序中**校准调整值**的设置项目，则以打印机驱动程序中的指定值优先。

- **调整信息**

可以确认色彩校准调整日期/时间和已执行的介质类型。



- **校准指南设置**

可以选择在下列情况下是否在触摸屏上显示要求执行色彩校准的信息。

- 已安装新打印头后

- 执行色彩校准后已进行一定数量的打印时
- 初始化色彩校准数据后
- **重置调整值**
清除色彩校准调整值和调整信息。

色彩校准的调整类型

色彩校准的调整类型

通用校准和个别校准是颜色校准的两个调整类型。

根据要执行色彩校准的介质类型选择一种调整类型。

功能

通用校准

对某种 Canon 原装纸张执行色彩校准时，也为其他纸张调整色彩。

可以在短时间内轻松使用多种介质类型，因为无需在每种介质类型上执行色彩校准。

个别校准

即便执行色彩校准，也不会调整其他纸张的色彩，因此其他纸张的色彩不受影响。

▶▶▶ 注释

- 有关是否可以执行色彩调整和各纸张类型的调整类型的详细资料，请参见“纸张信息列表”。

• 通用校准

如果对归类为通用校准的介质类型执行颜色校准，则会设置新的通用颜色校准调整值。

在归类为通用校准的介质类型中，仅会对没有执行颜色校准的纸张适用新设置的通用校准调整值。

通用校准调整值会应用至所有打印质量。

▶▶▶ 注释

- 如果正在使用的纸张不支持颜色校准，请预先使用归类为通用校准的纸张执行颜色校准。
新的通用校准调整值甚至会应用至正在使用的纸张。
- 如果已执行色彩校准，则已设置校准调整值。
对于此介质类型，新的通用校准调整值不会被覆盖。

• 个别校准

如果对归类为个别校准的介质类型执行颜色校准，则会设置新的个别颜色校准调整值。

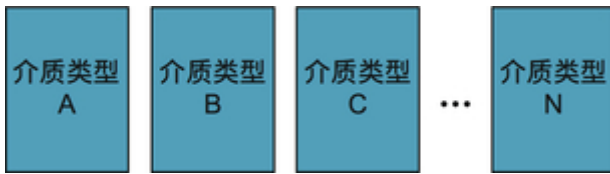
▶▶▶ 注释

- 如果从未使用归类为个别校准的纸张执行颜色校准，执行通用校准会覆盖校准调整值。

示例：使用默认设置执行下列色彩校准时

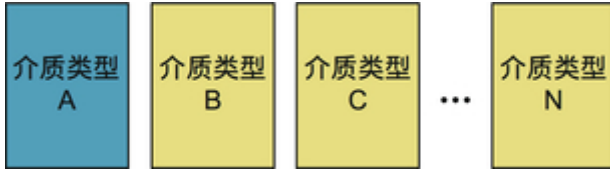
第一次：使用介质类型 A(归类为通用校准)执行颜色校准

- 所有介质类型 A 至 N：应用介质类型 A 的校准调整值。



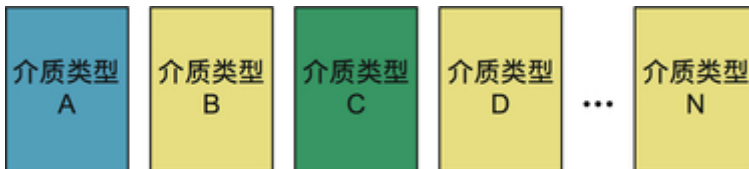
第二次：使用介质类型 B(归类为通用校准)执行颜色校准

- 介质类型 A：以第一次应用的介质类型 A 的校准调整值优先。
- 介质类型 B 至 N：应用介质类型 B 的校准调整值。



第三次：使用介质类型 C(归类为个别校准)执行颜色校准

- 介质类型 A：以第一次应用的介质类型 A 的校准调整值优先。
- 介质类型 B 以及 D 至 N：以第二次应用的介质类型 B 的校准调整值优先。
- 介质类型 C：应用介质类型 C 的校准调整值。



▶▶▶ 注释

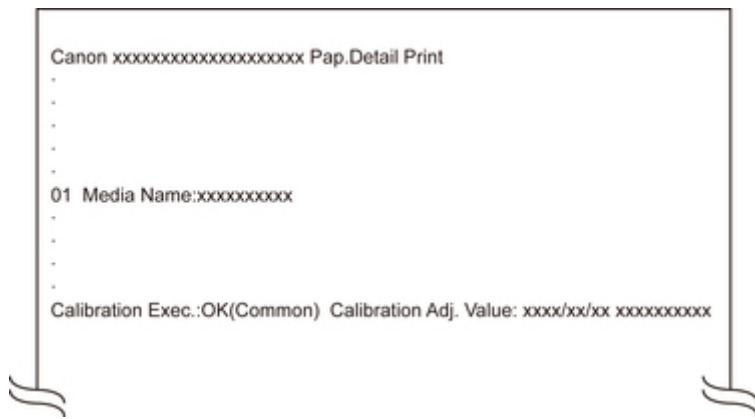
- 可以在触摸屏菜单上**色彩校准**的**调整信息**中确认当前应用的校准调整日期和执行的纸张类型。
→ [执行色彩校准](#)

确认打印机上注册的纸张信息

要打印介质信息，请在触摸屏菜单上选择**设备设置** > **纸张相关设置** > **打印高级纸张设置**。

会出现以下内容。

显示	含义
Calibration Exec.	支持色彩校准
OK(Common)	执行通用校准
OK(Unique)	执行个别校准
N/A	无法执行色彩校准
Calibration Adj. Value	校准应用信息(显示执行的日期和纸张名称)



注釋

- 可以使用 Device Management Console 或打印机驱动程序检查介质信息。
有关详细信息，请参见以下内容。
 - ➔ Device Management Console 指南(Windows)
 - ➔ Device Management Console 指南(Mac OS)
 - ➔ [更新打印机驱动程序中的介质信息](#)(Windows)
 - ➔ 确认打印机纸张信息(Mac OS)

维护和耗材

▶ 墨水盒

- 墨水盒
- 更换墨水盒
- 检查墨水盒的剩余量
- 何时更换墨水盒

▶ 打印头

- 打印头
- 检查喷嘴是否堵塞
- 清洗打印头
- 更换打印头

▶ 保养墨盒

- 保养墨盒
- 更换保养墨盒
- 检查保养墨盒的剩余容量
- 何时更换保养墨盒

▶ 切刀刀片

- 切刀刀片
- 更换切刀刀片

▶ 从计算机执行维护功能 (Windows)

- 清洗打印头
- 打印喷嘴检查图案

▶ 从计算机执行维护功能 (Mac OS)

- 清洗打印头
- 打印喷嘴检查图案
- 调整进纸量

▶ 清洁打印机

- 清洁打印机的外表
- 清洁上盖内侧
- 清洁卷纸单元
- 清洗打印头

► **其他维护**


- 进行运输打印机的准备
- 重新安装打印机

墨水盒

- [墨水盒](#)
- [更换墨水盒](#)
- [检查墨水盒的剩余量](#)
- [何时更换墨水盒](#)

墨水盒

购买时，请确认型号。

形状	颜色	型号	墨水类型	容量
	亚光黑色	PFI-51 MBK	颜料墨水	160 毫升(5.4 液量盎司)
	照片黑色	PFI-51 PBK		
	青色	PFI-51 C		
	品红色	PFI-51 M		
	黄色	PFI-51 Y		
	照片青色	PFI-51 PC		
	照片红色	PFI-51 PM		
	灰色	PFI-51 GY		
	照片灰色	PFI-51 PGY		
	红色	PFI-51 R		
	蓝色	PFI-51 B		
	晶亮色	PFI-51 CO		
	亚光黑色	PFI-53 MBK		330 毫升(11.2 液量盎司)
	照片黑色	PFI-53 PBK		
	青色	PFI-53 C		
	品红色	PFI-53 M		
	黄色	PFI-53 Y		
	照片青色	PFI-53 PC		
	照片红色	PFI-53 PM		
	灰色	PFI-53 GY		
	照片灰色	PFI-53 PGY		
	红色	PFI-53 R		
	蓝色	PFI-53 B		
	晶亮色	PFI-53 CO		

形状	颜色	型号	墨水类型	容量
	亚光黑色	PFI-57 MBK	颜料墨水	700 毫升(23.7 液量盎司)
	照片黑色	PFI-57 PBK		
	青色	PFI-57 C		
	品红色	PFI-57 M		
	黄色	PFI-57 Y		
	照片青色	PFI-57 PC		
	照片红色	PFI-57 PM		
	灰色	PFI-57 GY		
	照片灰色	PFI-57 PGY		
	红色	PFI-57 R		
	蓝色	PFI-57 B		
	晶亮色	PFI-57 CO		

注 释

- 有关更换墨水盒的说明，请参见“[更换墨水盒](#)”。

更换墨水盒

兼容的墨水盒

有关兼容的墨水盒的详细资料，请参见“[墨水盒](#)”。

可以更换为 160 毫升(5.4 液量盎司)、330 毫升(11.2 液量盎司)和 700 毫升(23.7 液量盎司)容量的墨水盒。

►►► 注释

- 根据颜色的不同，也可以使用不同容量的墨水盒。

使用墨水盒的注意事项

使用墨水盒时，请注意以下注意事项。

注意

- 为保证安全，请将墨水盒放置在儿童接触不到的地方。
- 不慎误舔或误饮墨水时，请立即同医生商量。

►►► 重要事项

- 取下的墨水盒的墨水孔周围可能会沾有墨水。更换过程中请小心处理墨水盒。墨水可能会染污衣物。
- 请勿将本打印机使用过的墨水盒安装到其他型号的打印机上。
否则会有不能正确检测墨水的剩余量，打印机发生损伤、异常的情况。
- 建议墨水盒开封后在半年之内将其用完。使用较旧的墨水盒可能会影响打印质量。
- 请勿使打印机长期(1 个月或以上)处于取下墨水盒的状态。打印机中残留的墨水可能堵塞并影响打印质量。

如何更换墨水盒

如果出现提示应该更换墨水盒的信息，请查看信息的详细内容并转到步骤 2。

1. [从菜单中选择墨水盒更换](#)
2. 取下墨水盒
 - ➔ [取下墨水盒\[160 毫升\(5.4 液量盎司\)/330 毫升\(11.2 液量盎司\)\]](#)
 - ➔ [取下墨水盒\[700 毫升\(23.7 液量盎司\)\]](#)
3. 装入新的墨水盒
 - ➔ [装入墨水盒\[160 毫升\(5.4 液量盎司\)/330 毫升\(11.2 液量盎司\)\]](#)
 - ➔ [装入墨水盒\[700 毫升\(23.7 液量盎司\)\]](#)

►►► 重要事项

- 开启电源后打印机初始化过程中或清洗打印头过程中，请勿取下墨水盒。否则墨水可能泄漏。

》》》注释

- 即使在打印中、正在取消打印作业或正在进纸时，也可以更换墨水盒。

从菜单中选择墨水盒更换

1. 在主页屏幕上点击墨水显示区域。

→ 触摸屏



出现当前估计墨水量屏幕。

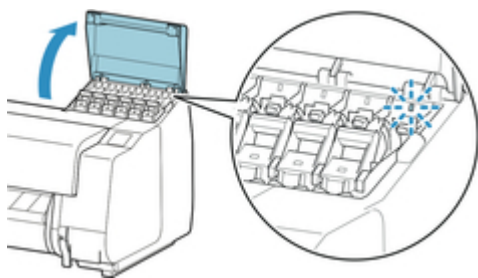
2. 点击**更换**。

触摸屏上会出现说明。

取下墨水盒[160 毫升(5.4 液量盎司)/330 毫升(11.2 液量盎司)]

1. 打开要更换的墨水盒的墨水盒舱盖并检查墨水指示灯。

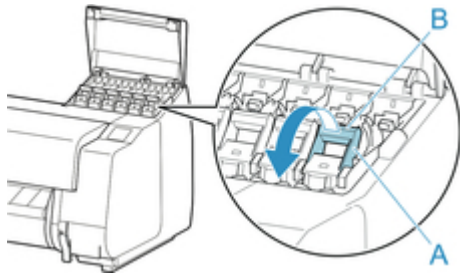
如果墨水用完，墨水指示灯会闪烁。



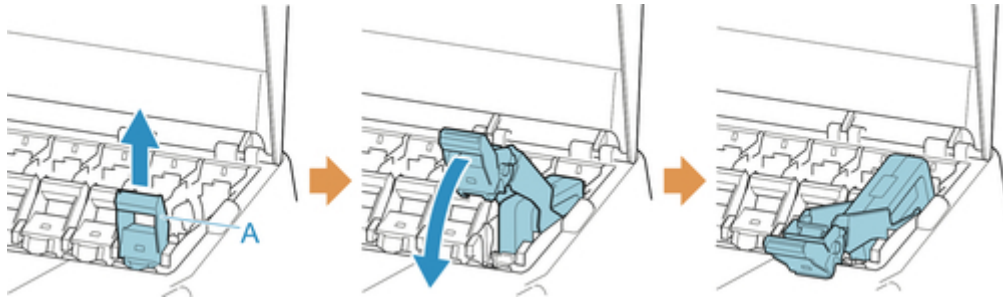
》》》重要事项

- 更换墨水盒时，请避免剧烈振动打印机。更换墨水盒时请小心操作打印机。

2. 向前拉动待更换颜色的墨水盒锁定杆的手柄部分(A)，同时按下位于 B 处的按钮。



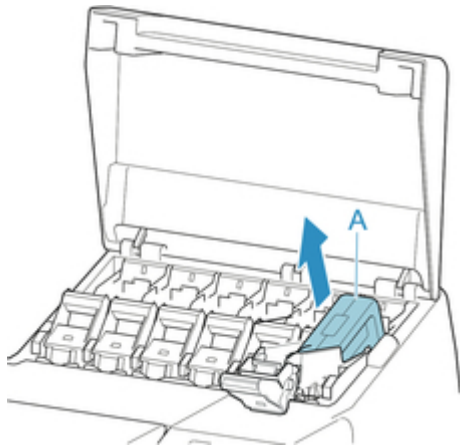
3. 将墨水盒锁定杆提起到位，然后将其向前按下。



►►► 注释

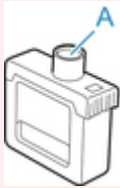
- 确认墨水盒锁定杆没有返回。

4. 使用把手(A)取下墨水盒，然后点击 **OK**。



►►► 重要事项

- 存放取下的有墨水剩余的墨水盒，使墨水孔(A)向上。否则，墨水可能泄漏并染污周围。将取下的墨水盒装入塑料袋中，然后封上袋子。



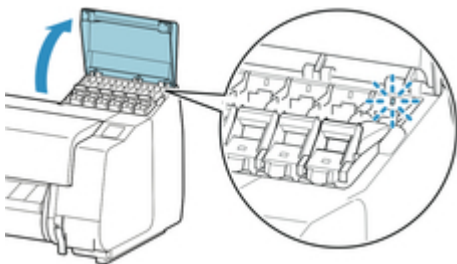
注釋

- 請遵照當地的法規棄置使用過的墨水盒。

取下墨水盒[700 毫升(23.7 液量盎司)]

1. 打開要更換的墨水盒的墨水盒艙蓋並檢查墨水指示燈。

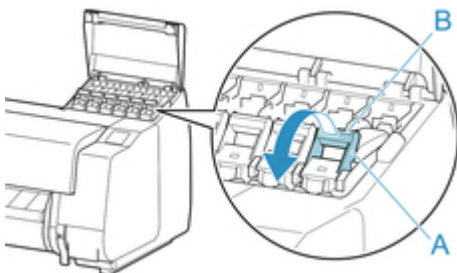
如果墨水用完，墨水指示燈會閃爍。



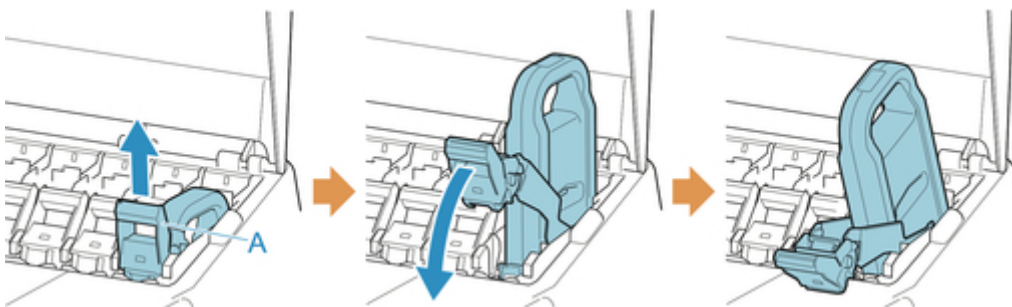
重要事項

- 更換墨水盒時，請避免劇烈振動打印機。更換墨水盒時請小心操作打印機。

2. 向前拉動待更換顏色的墨水盒鎖定杆的手柄部分(A)，同時按下位於 B 處的按鈕。



3. 將墨水盒鎖定杆提起到位，然後將其向前按下。



注釋

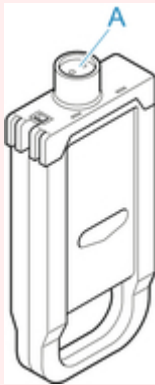
- 確認墨水盒鎖定杆沒有返回。

4. 使用把手(A)取下墨水盒，然後點擊 **OK**。



重要事项

- 存放取下的有墨水剩余的墨水盒时，使墨水孔(A)向上。否则，墨水可能泄漏并染污周围。

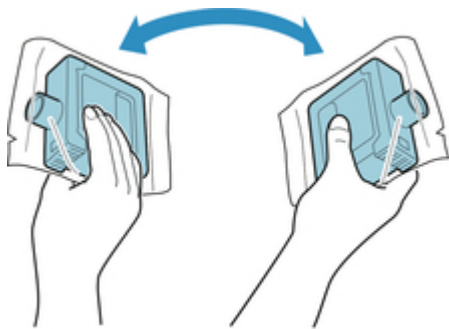


注释

- 请遵照当地的法规弃置使用过的墨水盒。

装入墨水盒[160 毫升(5.4 液量盎司)/330 毫升(11.2 液量盎司)]

1. 开封之前，将墨水盒左右倾斜轻轻摇晃七或八次。



重要事项

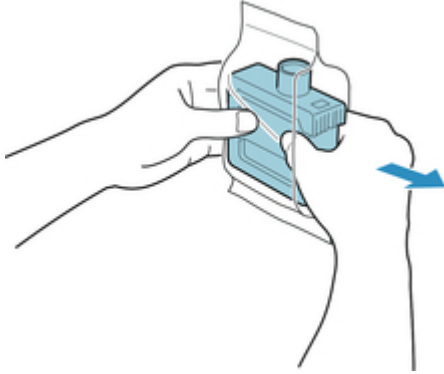
- 请勿取下并晃动已安装在打印机上的墨水盒。否则墨水可能泄漏。

- 未晃动墨水盒可能会导致墨水成分沉淀并影响打印质量。

注 释

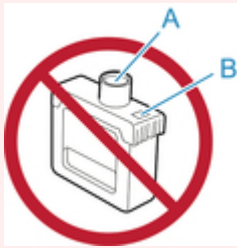
- 如果墨水盒温度较低，安装前请使其恢复室温。

2. 开封并取出墨水盒。



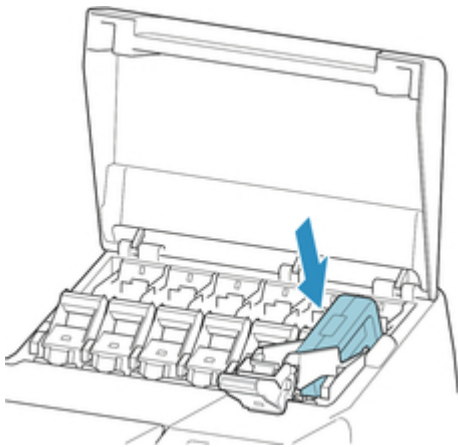
重 要 事 项

- 切勿碰触墨水孔(A)或金属触点(B)。否则可能会染污周围、损坏墨水盒并影响打印质量。



- 开封取出后，请不要使墨水盒掉落。否则，墨水可能泄漏并染污周围。

3. 点击 OK，然后将墨水盒插入支架，使墨水孔向下，金属触点位于后侧。



重 要 事 项

- 如果颜色或方向不正确，则墨水盒无法安装在支架上。

如果无法将墨水盒安装在支架上，请勿强行安装。重新安装，同时检查标签颜色显示、墨水盒颜色和墨水盒方向。

4. 抬起墨水盒锁定杆，然后将其按下。



5. 将墨水盒锁定杆的手柄部分完全推入到底。



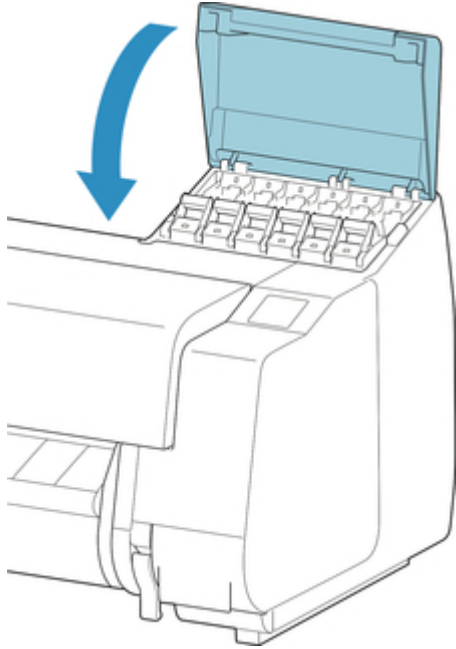
6. 确保墨水指示灯亮起。



注釋

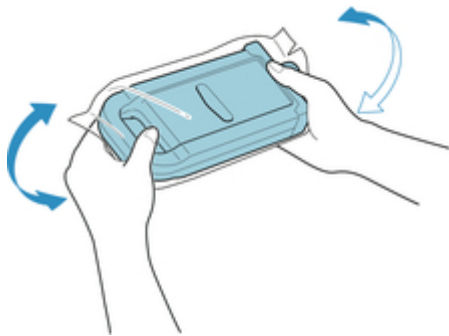
- 如果墨水指示灯未亮起，请重新安装墨水盒。

7. 关闭墨水盒舱盖。



装入墨水盒[700 毫升(23.7 液量盎司)]

1. 开封之前，如图所示用双手握住新墨水盒并将其左右倾斜轻轻摇晃七或八次。



注意

- 700 毫升(23.7 液量盎司)的墨水盒较重，因此不要仅用手腕，而要用整个手臂进行晃动。如果仅用手腕晃动墨水盒，可能会损伤手腕。

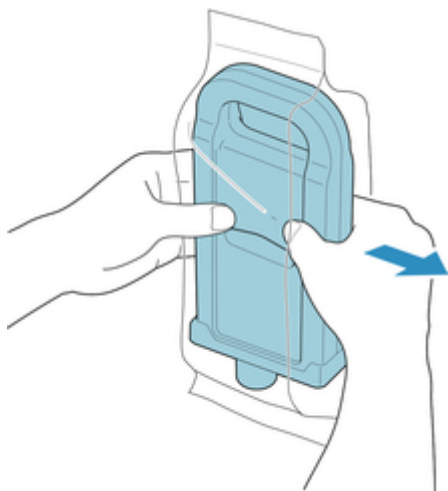
重要事項

- 请勿取下并晃动已安装在打印机上的墨水盒。否则墨水可能泄漏。
- 未晃动墨水盒可能会导致墨水成分沉淀并影响打印质量。

注釋

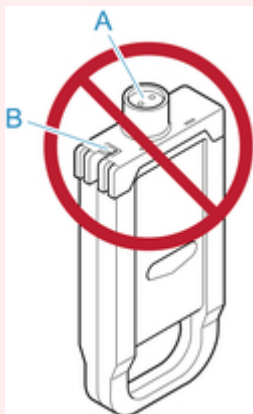
- 如果墨水盒溫度較低，安裝前請使其恢復室溫。

2. 開封並取出墨水盒。



重要事項

- 切勿碰觸墨水孔(A)或金屬觸點(B)。否則可能會染污周圍、損壞墨水盒並影響打印質量。



- 開封取出後，請不要使墨水盒掉落。否則，墨水可能洩漏並染污周圍。

3. 點擊 **OK**，然後將墨水盒插入支架，使墨水孔向下，金屬觸點位於後側。



重要事项

- 如果颜色或方向不正确，则墨水盒无法安装在支架上。

如果无法将墨水盒安装在支架上，请勿强行安装。重新安装，同时检查标签颜色显示、墨水盒颜色和墨水盒方向。

4. 抬起墨水盒锁定杆，然后将其按下。



5. 将墨水盒锁定杆的手柄部分完全推入到底。



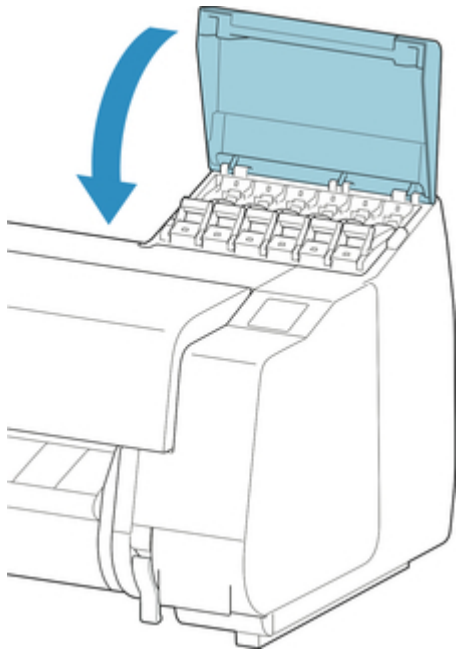
6. 确保墨水指示灯亮起。



注釋

- 如果墨水指示灯未亮起，请重新安装墨水盒。

7. 关闭墨水盒舱盖。



检查墨水盒的剩余量

可以在触摸屏上检查墨水盒中剩余的墨水量。

1. 在主页屏幕上点击墨水显示区域。

→ 触摸屏

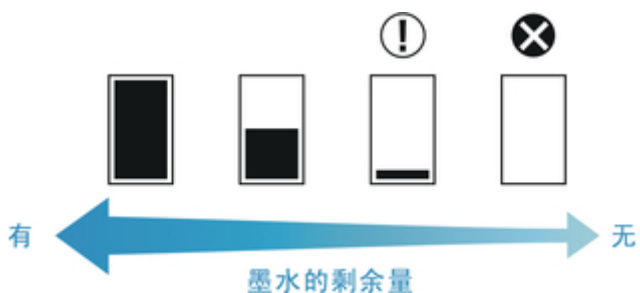


出现当前估计墨水量屏幕。



如果墨水不足，则显示[!]；如果墨水用尽，则显示[×]；如果停用剩余墨水量检测功能，则显示[?]。

如下图所示显示墨水的剩余量的比例。



如果触摸屏提示更换墨水盒，请更换墨水盒。如果显示检查剩余墨水量的信息，或在执行大幅面打印、清洗打印头等需要消耗大量墨水的任务之后，请检查剩余墨水量并根据需要更换墨水盒。

→ 更换墨水盒

➤➤➤ 注释

- 点击**立即订购墨水**以查看墨水供应商信息。

何时更换墨水盒

在以下情况下，请准备更换或更换墨水盒。

如果触摸屏上出现墨水确认信息

墨水不足时，**状态**指示灯亮起橙色，触摸屏上将出现通知信息。可以继续打印，但请准备墨水盒。

→ [检查墨水盒的剩余量](#)

实行大量消耗墨水的打印或维修保养时

如果剩余墨水过少，可能不足以完成需要大量墨水的大幅面打印、打印头清洗和维护。在以下情况下，请准备更换或更换墨水盒。

如果触摸屏上出现墨水更换信息

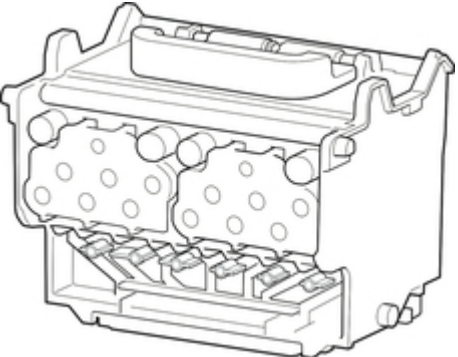
墨水用完时，**状态**指示灯闪烁橙色，触摸屏上会出现墨水盒更换的相关信息并且无法执行打印。更换墨水盒。

打印头

- [打印头](#)
- [检查喷嘴是否堵塞](#)
- [清洗打印头](#)
- [更换打印头](#)

打印头

购买时，请确认型号。

形状	型号
	PF-10

注

- 有关更换打印头的说明，请参见请参见 [“更换打印头”](#)。

检查喷嘴是否堵塞

打印模糊或出现不同颜色的条纹时，通过打印喷嘴检查图形以确认打印头的各喷嘴有无堵塞。

►► 注释

- 默认情况下，以固定间隔检查喷嘴。

→ [自动维护设置](#)

准备的東西

使用卷纸时	宽度至少为 254.0 毫米(10.00 英寸)的全新卷纸
使用单页纸时	未使用的 A4/信纸以上尺寸的纸张 1 张

1. 安装纸张。

- [在卷纸支架上装入卷纸](#)
- [将上行卷纸装入打印机](#)
- [在卷纸单元上装入下行卷纸\(选装件\)](#)
- [将单页纸安装到打印机上](#)

2. 滑动主页屏幕并点击**维护**。

→ [触摸屏](#)

出现**维护**屏幕。

3. 点击**打印喷嘴检查图案**。

会出现确认信息。

4. 点击**是**。

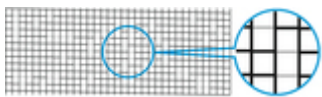
打印出喷嘴检查图形。

5. 请确认打印结果。

横线不模糊，没有缺少时，喷嘴正常。

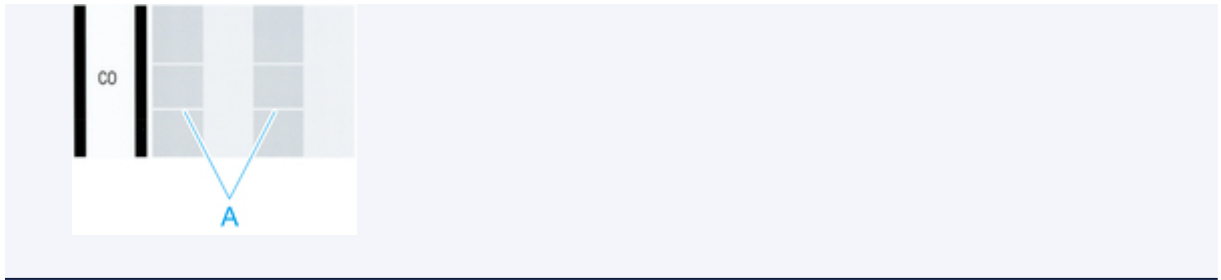


横线模糊或缺少时，该颜色的喷嘴已堵塞。



►► 注释

- 由于 CO 没有颜色，所以会在黑色图案之上执行打印。检查 CO 图案中深灰色区域是否有线条(A)。



如果横线模糊或不完整，则执行打印头清洗。

➔ [清洗打印头](#)

清洗打印头

如果打印模糊，清洗打印头可能会改善打印结果。

根据要解决的问题，从三种打印头清洗模式中选择其一：**清洗**、**深度清洗**或**系统清洗**。

- **清洗**

在打印模糊时，或打印品上附着脏物等时实行。是墨水消耗较少的清洁方法。

此过程大约需要 8 分钟。

- **深度清洗**

如果根本不喷射墨水或**清洗**不能解决问题，请使用此模式。

此过程大约需要 8 或 9 分钟。

- **系统清洗**

如果**深度清洗**后打印结果仍没有改善，请使用此模式。**系统清洗**会消耗大量墨水。频繁执行此操作会使墨水消耗得更快。仅在需要时执行此操作。

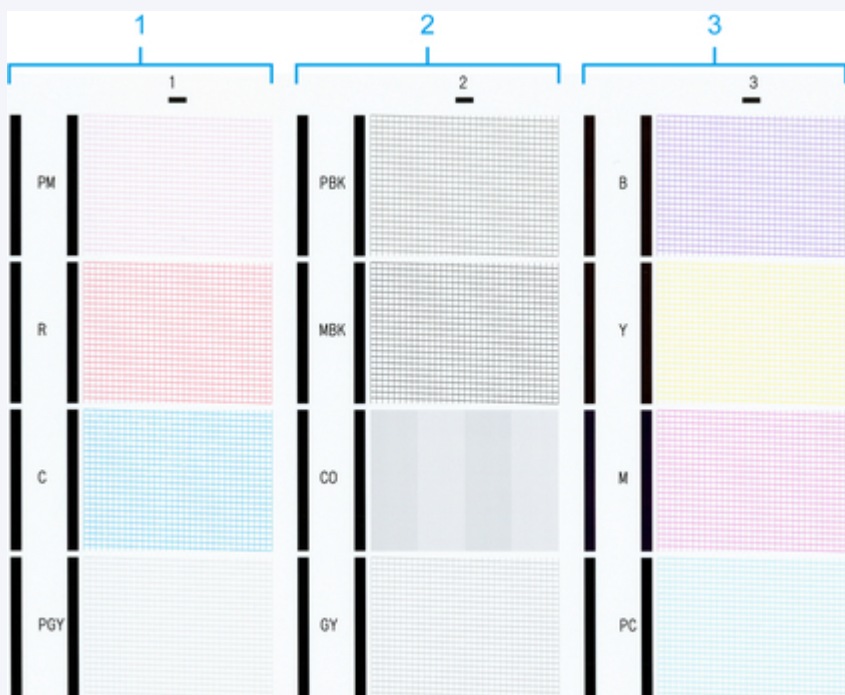
此过程大约需要 10 分钟。

重要事项

- **清洗**、**深度清洗**或**系统清洗**过程中，请勿取下保养墨盒或墨水盒。
墨水可能漏出或者出现错误。
- 如果**系统清洗**后打印结果仍没有改善，则打印头可能已达使用年限。请联系佳能经销商寻求帮助。

注释

- 检查喷嘴检查图案并根据需要选择要执行清洗的墨水组。可以清洗所有打印头或选择图案 1、2 或 3 以清洗喷嘴阻塞的打印头。



- 默认情况下，以固定间隔检查喷嘴。

➔ [自动维护设置](#)

用以下步骤进行清洁。

1. 滑动主页屏幕并点击**维护**。

➔ [触摸屏](#)

出现**维护**屏幕。

2. 点击**打印头清洗**。

3. 选择并点击**清洗、深度清洗或系统清洗**。

4. 选择并点击要清洗的墨水组。

- **全部颜色**
- **图案 1:PM/R/C/PGY**
- **图案 2:PBK/MBK/CO/GY**
- **图案 3:B/Y/M/PC**

会出现确认信息。

5. 点击**是**。

实行清洁打印头。

6. 打印测试图案以检查喷嘴情况以及判断堵塞是否已被清除。

➔ [检查喷嘴是否堵塞](#)

更换打印头

如果触摸屏提示更换打印头或佳能经销商要求更换打印头，请更换打印头。

兼容的打印头

有关兼容的打印头的详细资料，请参见请参见“[打印头](#)”。

使用打印头的注意事项

使用打印头时，请注意以下注意事项。

注意

- 为保证安全，请将打印头放置在儿童接触不到的地方。
- 不慎误舔或误饮墨水时，请立即同医生商量。
- 刚刚完成打印后请勿碰触打印头。打印头温度极高，可能有烫伤的风险。

重要事项

- 取下的打印头的喷嘴周围可能会附着墨水。更换打印头时请务必小心。墨水可能会染污衣物。
- 安装之前才可以将打印头包装打开。从包装袋中取出打印头后，请立即进行安装。如果打印头开封后长期放置，则打印头喷嘴可能会变干，从而影响打印质量。

选择更换打印头的菜单

注意

- 打印后立即更换打印头时，请在更换前稍候片刻。打印过程中打印头的金属部件温度很高，碰触这些部件会有烫伤的风险。

重要事项

- 更换打印头的过程中可能会弄脏双手。更换时，请戴上新打印头附带的手套。

注释

- 墨水量少时，请准备新的墨水盒。
- 保养墨盒剩余容量低时，请准备新的保养墨盒。

1. 请将送入的纸张全部取出。

- 使用卷纸时，请将其卷缠。
 - ➔ [从打印机取下上行卷纸](#)
 - ➔ [从卷纸单元取出下行卷纸\(选装件\)](#)
- 使用单页纸时，请将其取下。

➔ [取下单页纸](#)

2. 清洁上盖内部。

➔ [清洁上盖内侧](#)

3. 滑动主页屏幕并点击**维护**。

➔ [触摸屏](#)

出现**维护**屏幕。

4. 点击**打印头更换**。

会出现确认信息。

5. 点击**是**。

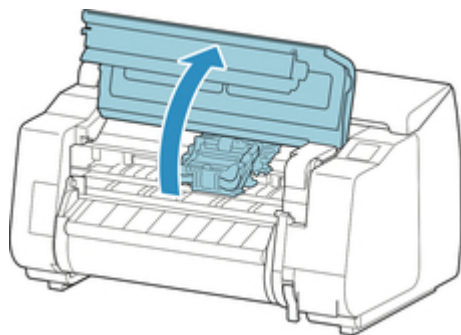
开始吸收墨水。吸收完成时，触摸屏上会显示说明。

将墨水吸入系统大约需要 5-6 分钟。

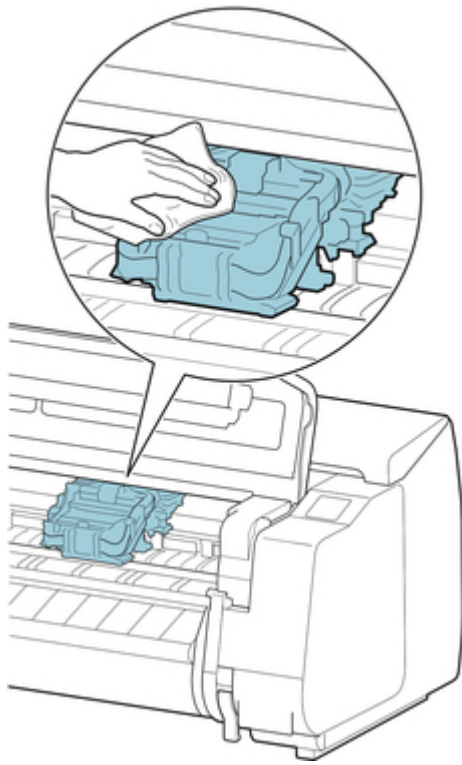
更换打印头

1. 打开上盖。

触摸屏上会出现更换打印头的步骤。

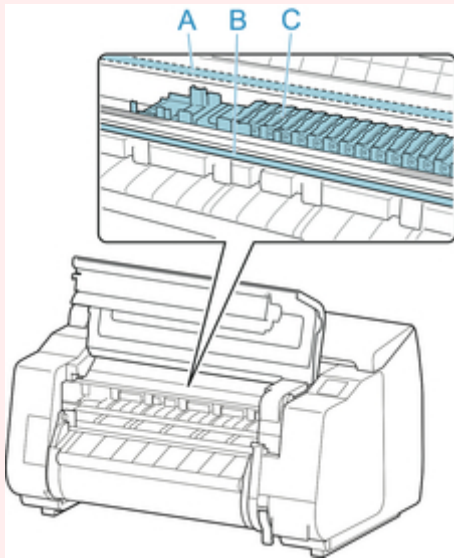


2. 如果打印头锁定盖和打印头锁定杆脏污，请使用浸过水并拧干的抹布将其擦拭干净。



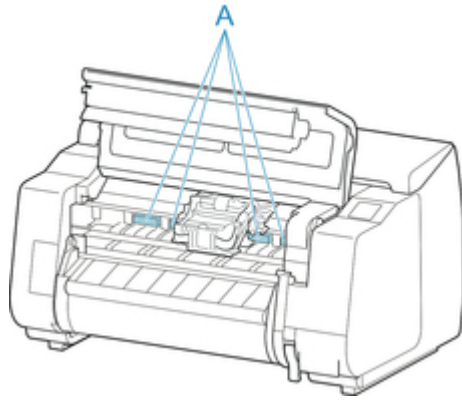
重要事项

- 请勿碰触线性标尺(A)、托架轴(B)或墨水管稳定器(C)。碰触可能会使其损坏。

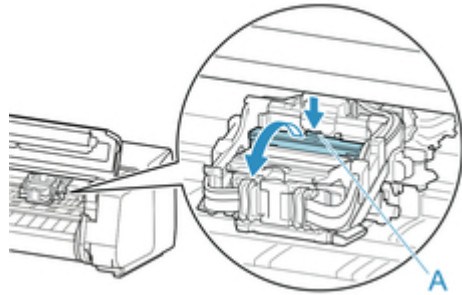


3. 如果通风管道(A)脏污, 请使用浸过水并拧干了的抹布将其擦拭干净。

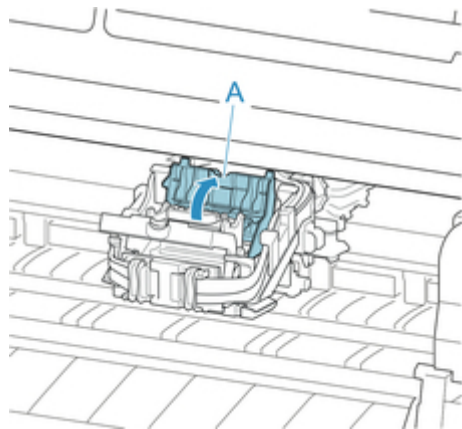
如果托架堵住通风管道, 请在清洁管道之前将托架手动移开。



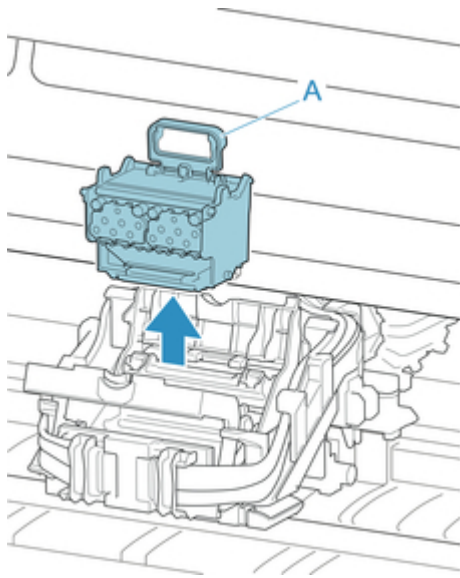
4. 按下打印头锁定杆中间的按钮(A)时，将锁定杆向前拉动到底。



5. 握住把手(A)，完全打开打印头锁定盖。



6. 使用蓝色手柄(A)取下打印头，然后点击 **OK**。



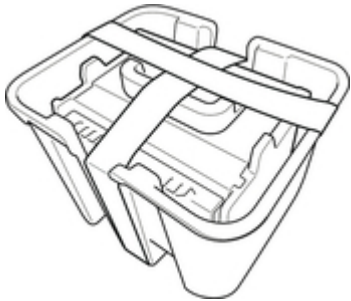
重要事项

- 切勿触摸托架的金属触点。此外，请勿让任何脏污或碎屑贴附到托架的金属触点。否则可能损坏打印机。

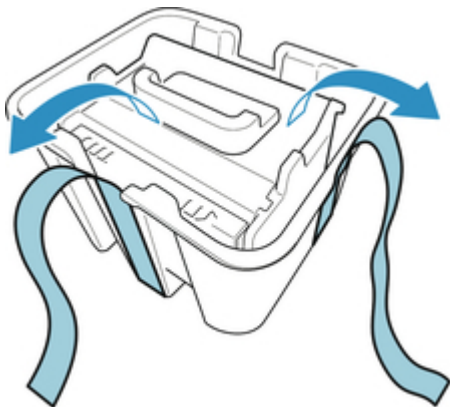
注释

- 请遵照当地的法规弃置使用过的打印头。

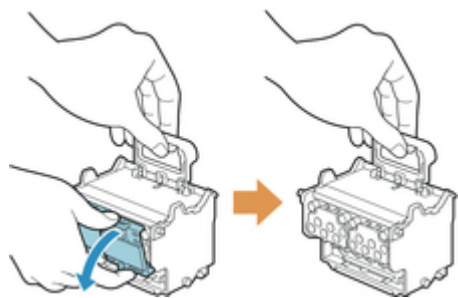
7. 从包装袋中取出打印头。



8. 取下用于固定打印头的胶带。

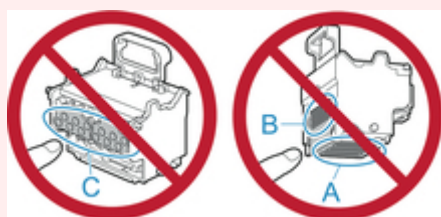


9. 使用蓝色手柄提起打印头，然后取下橙色保护盖(2)。



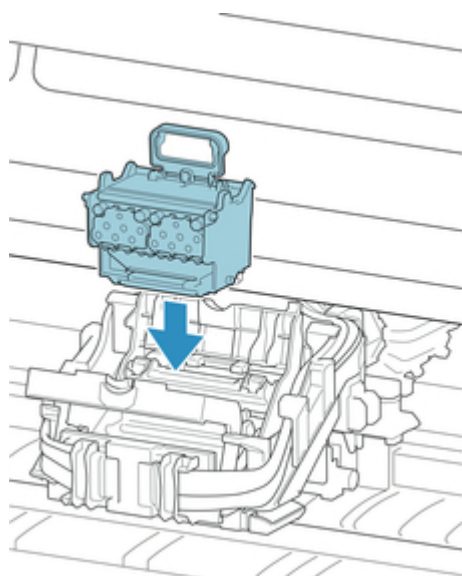
重要事项

- 请务必使用蓝色手柄提起打印头。请勿碰触喷嘴(A)或金属触点(B)。否则可能会损坏打印头并影响打印质量。
- 切勿碰触墨水孔(C)。否则可能影响打印质量。

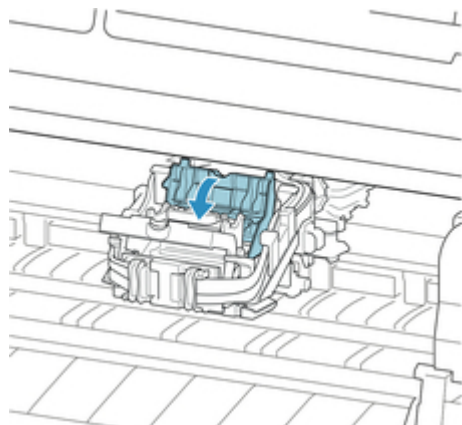


- 保护盖的内侧涂抹了墨水以保护喷嘴。取下保护盖时，请小心不要碰触这些表面。
- 打印头装有墨水以保护喷嘴。我们建议在打印头盒的上方取下保护盖，以防止墨水溅出并染污衣物或周围区域。如果墨水意外溅出，请用干布擦拭墨水。
- 如果在安装前需要暂时放置打印头，请将其按相同方向放回盒中。如果倒置，可能会损坏喷嘴或金属触点，从而可能会影响打印质量。
- 请勿重新安装已取下的保护盖。请遵照当地的法规弃置这些材料。

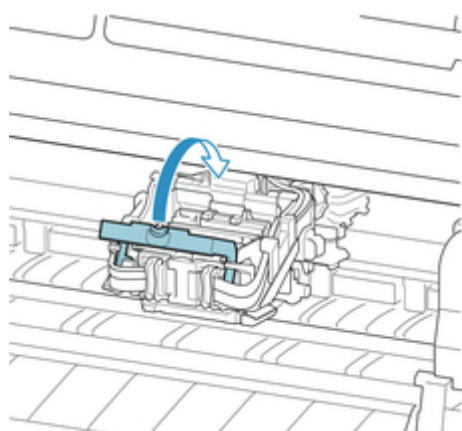
10. 小心地将打印头完全推入，确保喷嘴、金属触点和墨水孔没有碰触托架。



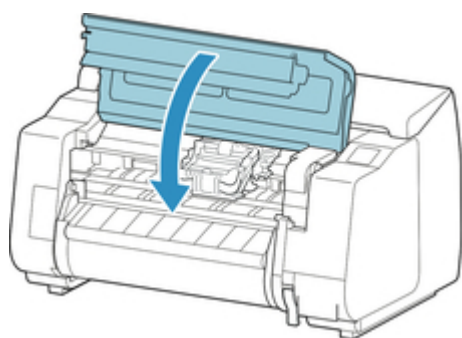
11. 向前放下打印头锁定盖并锁定打印头。



12. 向后推下打印头锁定杆直到发出咔嗒声。



13. 关闭上盖。



墨水现在填充系统。此过程大约需要 18 或 19 分钟。

重要事项

- 正在填充墨水时，一定不要取下墨水盒或保养墨盒。否则墨水可能泄漏。

注释

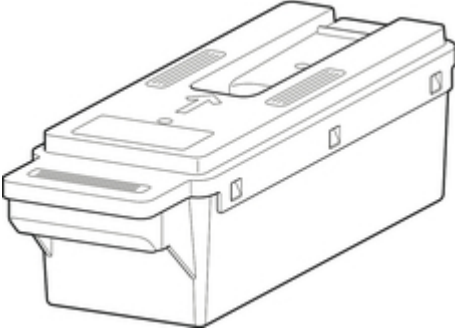
- 更换新打印头后打印图案设置为开时会执行打印头位置调整。
按照触摸屏上的说明装入纸张。

保养墨盒

- [保养墨盒](#)
- [更换保养墨盒](#)
- [检查保养墨盒的剩余容量](#)
- [何时更换保养墨盒](#)

保养墨盒

购买时，请确认型号。

形状	型号
	MC-30

注釋

- 有关更换保养墨盒的说明，请参见“[更换保养墨盒](#)”。

更换保养墨盒

兼容的保养墨盒

有关兼容的保养墨盒的详细资料，请参见“[保养墨盒](#)”。

使用保养墨盒的注意事项

使用保养墨盒时，请注意以下注意事项。



注意

- 为保证安全，请将保养墨盒放置在儿童接触不到的地方。
- 不慎误舔或误饮墨水时，请立即同医生商量。

重要事项

- 除进行更换，请勿取下保养墨盒。否则墨水可能泄漏。
- 开启打印机后初始化过程中、清洗打印头过程中、吸收墨水时或更换保养墨盒后初始化过程中，请勿取下保养墨盒。
否则保养墨盒可能损坏或墨水可能泄漏。
- 为防止墨水从使用过的保养墨盒中泄漏，请避免墨盒掉落或者倾斜放置墨盒。否则，墨水可能泄漏并染污周围。
- 保养墨盒使用过后，墨盒上部会沾有墨水。更换过程中请小心处理保养墨盒。墨水可能会染污衣物。

如何更换保养墨盒

如果出现提示应该更换保养墨盒的信息，请查看信息的详细内容并转到步骤 2。

1. [从菜单中选择保养墨盒更换](#)
2. [更换保养墨盒](#)

从菜单中选择保养墨盒更换

1. 滑动主页屏幕并点击**维护**。

→ [触摸屏](#)

出现**维护**屏幕。

2. 点击**保养墨盒信息**。

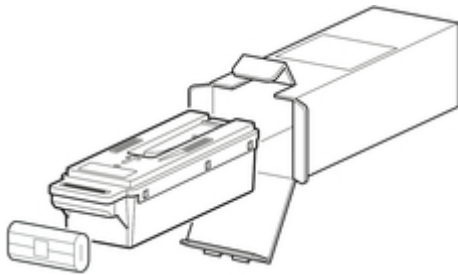
出现**保养墨盒信息**屏幕。

3. 点击**更换**。

触摸屏上会出现说明。

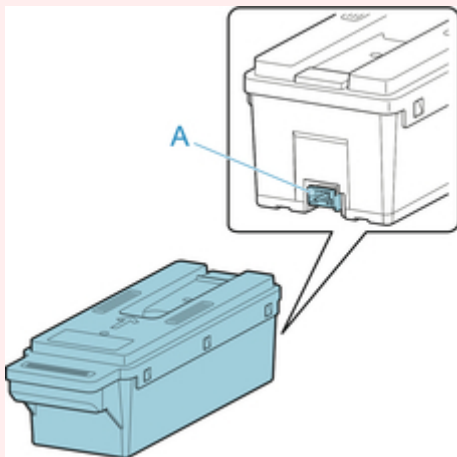
更换保养墨盒

1. 打开包装箱并取出塑料袋和保养墨盒。

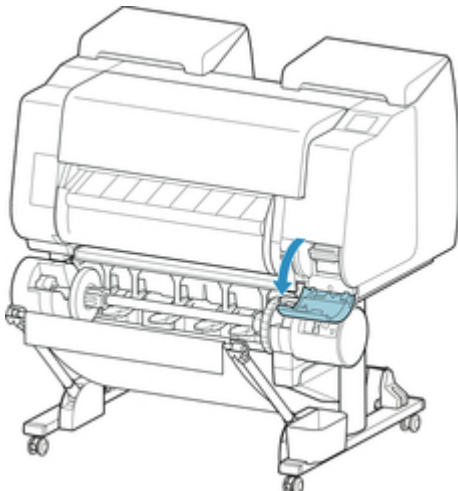


重要事项

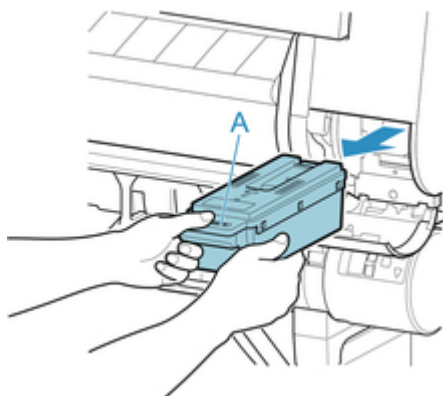
- 切勿碰触金属触点(A)。否则可能会损坏保养墨盒。



2. 打开保养墨盒舱盖。



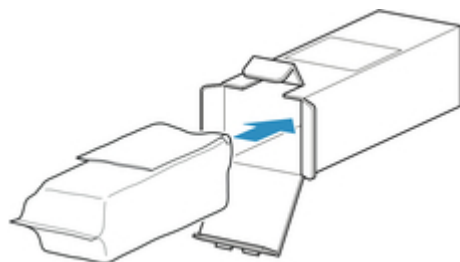
3. 用一只手握住已使用的保养墨盒的把手(A)，用另一只手稳固地托住保养墨盒的底部，水平将其拉出。



重要事项

- 已使用的保养墨盒较重。请务必稳固握住墨盒，取出并存放时请保持墨盒水平。如果墨盒掉落或者倾斜放置使用过的保养墨盒，墨水可能漏出并染污周围。

4. 将使用过的保养墨盒装入附带的塑料袋中并在平坦处存放。
5. 检查保养墨盒的顶部和底部，将其放入包装箱中并将包装箱存放在平坦处。



重要事项

- 请务必将使用过的保养墨盒装回包装箱内并将包装箱存放在平坦处。

注释

- 请遵照当地的法规弃置使用过的保养墨盒。

6. 将保养墨盒舱盖上的脏污擦拭干净。

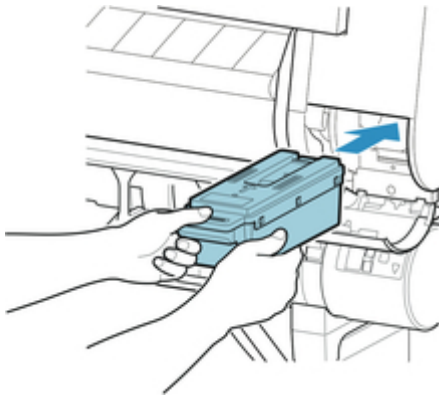


重要事项

- 擦拭时，请从底部托住保养墨盒舱盖。

7. 保持新保养墨盒水平，将其插入到底。

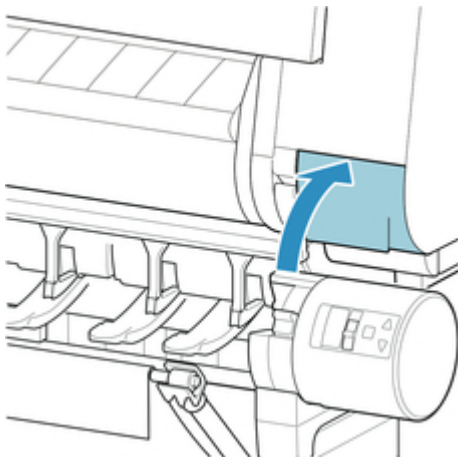
保养墨盒已初始化。



重要事项

- 在更换保养墨盒后的初始化过程中，请勿取出保养墨盒。保养墨盒可能会损坏。

8. 关闭保养墨盒舱盖。



检查保养墨盒的剩余容量

保养墨盒吸收清洗打印头所使用的多余墨水。可以通过查看触摸屏确认保养墨盒的剩余容量。

1. 滑动主页屏幕并点击**维护**。

→ [触摸屏](#)

出现**维护**屏幕。

2. 点击**保养墨盒信息**。

出现**保养墨盒信息**屏幕。



如果触摸屏提示更换保养墨盒，请更换保养墨盒。如果出现提示检查保养墨盒剩余容量的信息，或在执行打印头清洗或准备运输打印机等会大幅消耗保养墨盒剩余容量的任务前，请检查保养墨盒的剩余容量并根据需要准备新保养墨盒。

→ [更换保养墨盒](#)

何时更换保养墨盒

在以下情况下，请准备更换或更换保养墨盒。

如果触摸屏上出现保养墨盒确认信息

保养墨盒几乎用完时，**状态指示灯**亮起橙色，触摸屏上将出现通知信息。可以继续打印，但是请检查保养墨盒的剩余容量并准备更换新的保养墨盒。

➔ [检查保养墨盒的剩余容量](#)

保养墨盒容量迅速耗尽时

打印头清洗、打印头更换、准备运输打印机会使保养墨盒的剩余容量大幅减少。(特别是准备运输打印机会大幅减少剩余容量。)

在执行此维护前，请检查保养墨盒的剩余容量，如有必要请更换保养墨盒。

如果触摸屏上出现保养墨盒更换信息

保养墨盒用完时，**状态指示灯**闪烁橙色，触摸屏上会出现保养墨盒更换的相关信息并且无法执行打印。请更换新的保养墨盒。

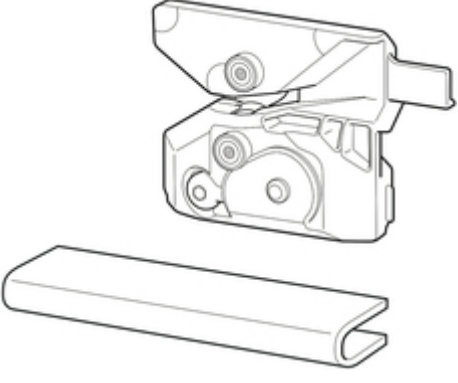
切刀刀片

- [切刀刀片](#)
- [更换切刀刀片](#)

切刀刀片

购买时，请确认型号。

此切刀刀片带有用于在安装过程中固定切刀刀片的部件。

形状	型号
 The image shows a technical drawing of a blade assembly. The top part is a perspective view of a complex plastic housing with several circular features and a protruding tab. Below it is a side view of a long, thin, rectangular blade with a curved end.	CT-07

注釋

- 有关更换切刀刀片的说明，请参见请参见 [“更换切刀刀片”](#)。

更换切刀刀片

兼容的切刀刀片

有关兼容的切刀刀片的详细资料，请参见请参见“[切刀刀片](#)”。

选择更换切刀刀片的菜单

1. 滑动主页屏幕并点击**维护**。

→ [触摸屏](#)

出现**维护**屏幕。

2. 点击**更换切刀刀片单元**。

会出现确认信息。

3. 点击**是**。

托架会移动，在其停止移动后触摸屏上会出现说明。

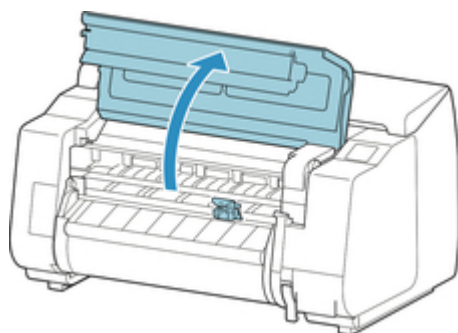
▶▶▶ 注释

- 如果在 2 分钟内没有进行操作，将取消更换切刀刀片。在这种情况下，请重复该步骤。

更换切刀刀片

1. 打开上盖。

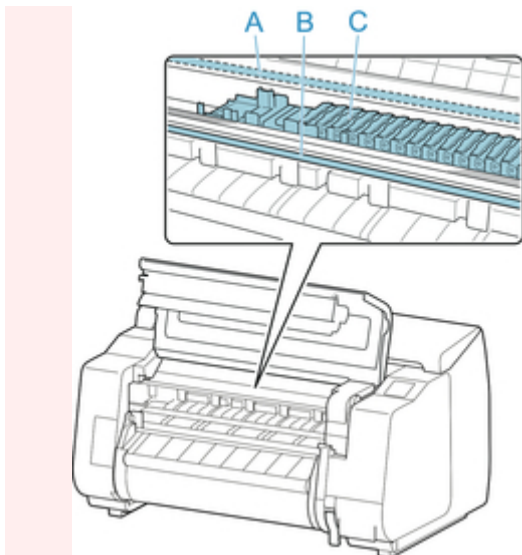
触摸屏上会出现更换切刀刀片的步骤。



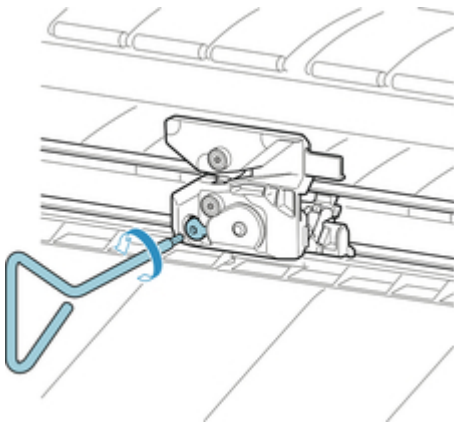
2. 如果切刀刀片脏污，请使用浸过水并拧干了的抹布将其擦拭干净。

▶▶▶ 重要事项

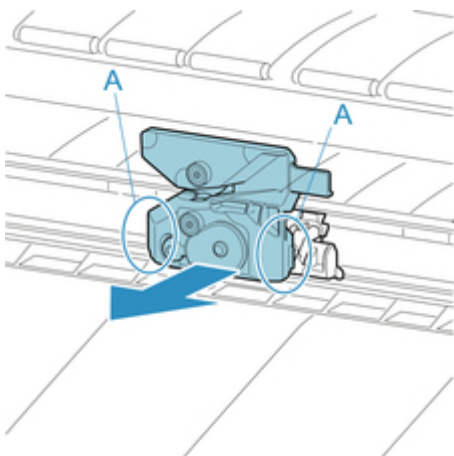
- 请勿碰触线性标尺(A)、托架轴(B)或墨水管稳定器(C)。碰触可能会使其损坏。



3. 使用六角扳手转动六角螺丝，将其拧松。



4. 握住 A 时，取下切刀刀片。



 **注意**

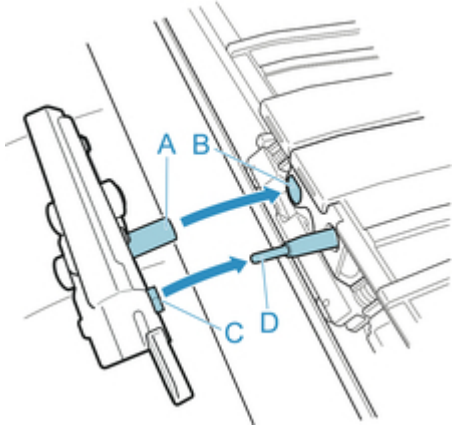
- 切勿碰触除 A 以外的任何部件。否则可能会弄脏双手或造成人身伤害。此外，还可能会损坏打印机。

- 请勿拆解切刀刀片。碰触刀片可能会造成人身伤害。

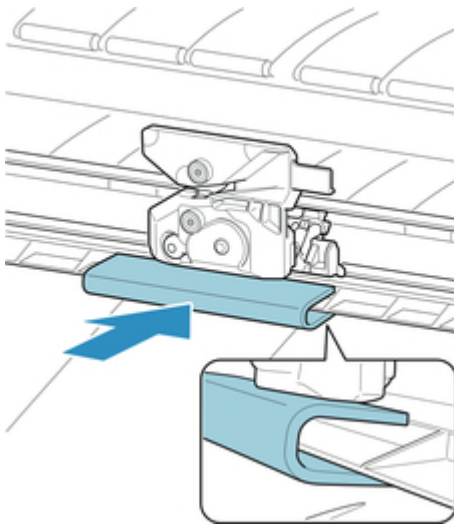
注釋

- 请遵照当地的法规弃置使用过的切刀刀片。

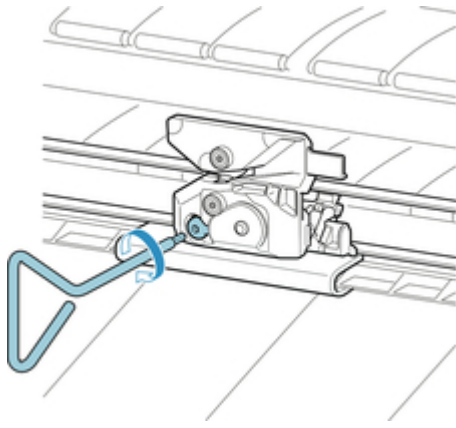
5. A 与 B 并且 C 与 D 对齐时，安装新的切刀刀片。



6. 安装时，将更换用切刀刀片所附带的固定部件对准切刀刀片的中心。



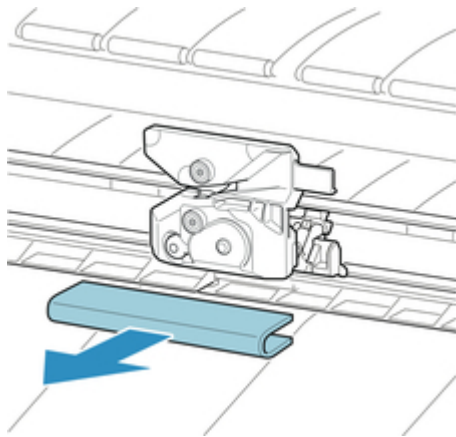
7. 使用六角扳手转动六角螺丝，将其牢牢固定。



重要事项

- 固定切刀刀片后，请确认切刀刀片不会掉落。如果切刀刀片掉落，可能会损坏打印机。

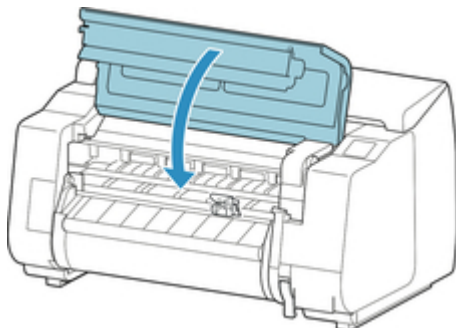
8. 请取下固定部件。



重要事项

- 请务必取下固定部件。在安装有固定部件的情况下进行操作，可能会损坏打印机。

9. 关闭上盖。



10. 会出现确认信息。

点击是。

从计算机执行维护功能(Windows)

- ▶ [清洗打印头](#)
- ▶ [打印喷嘴检查图案](#)

清洗打印头

打印头清洗功能可以疏通阻塞的打印头喷嘴。如果在墨水充足的条件下，打印变得暗淡或无法打印特定颜色，请执行打印头清洗。

打印头清洗的步骤如下：



打印头清洗

1. 打开[打印机驱动程序设置窗口](#)
2. 单击**维护**选项卡上的**打印头清洗**

打开**打印头清洗**对话框后，从以下选项中选择要执行的打印头清洗：

- **清洗**

如果在墨水充足的条件下，打印变得暗淡或无法打印特定颜色，请执行**清洗**。

- **系统清洗**

系统清洗的清洗功能更为强大。如果多次重复**清洗**后仍未改善，请执行**系统清洗**。

重要事项

- **系统清洗**会消耗特别多的墨水。

频繁执行**系统清洗**会迅速耗尽打印机的墨水。因此，请仅在需要时执行**系统清洗**。

3. 执行清洗

确保打印机已开启，并单击**确定**。

打印头清洗开始。

注释

- 完成**清洗**或**系统清洗**后，请执行**打印喷嘴检查图案**，然后查看清洗结果。

相关主题

- [打印喷嘴检查图案](#)

打印喷嘴检查图案

喷嘴检查功能可以通过打印喷嘴检查图案以检查打印头是否正常工作。如果打印变得暗淡或无法打印指定颜色，请打印喷嘴检查图案。

打印喷嘴检查图案的步骤如下：



喷嘴检查

1. 打开[打印机驱动程序设置窗口](#)

2. 单击**维护**选项卡上的**喷嘴检查**

喷嘴检查对话框打开。

3. 在打印机中装入纸张

出现该对话框时，请选择供纸位置。

4. 打印喷嘴检查图案

确保打印机已开启，然后单击**确定**。

打印喷嘴检查图案开始。

出现确认信息时，单击**确定**。

图案检查对话框打开。

5. 检查打印结果

检查打印结果。



(A)



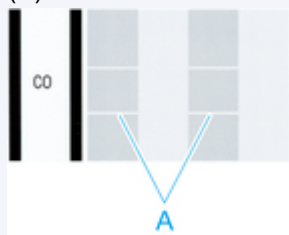
(B)

(A) 只要水平方向线条成一直线且无缺失，喷嘴就会正常工作。

(B) 水平方向线条不成一直线且存在缺失，则彩色喷嘴已阻塞。

►► 注释

- 由于 CO 无色，所以会在黑色墨水图案上打印。检查在深灰色区域中 CO 图案是否包含水平条纹 (A)。



- 在喷嘴检查图案的打印结果中，如果出现不均匀或存在无法打印的区域，请使用**打印头清洗**清洗打印头。
清洗完成后，再次打印喷嘴检查图案并查看效果。

相关主题

- [清洗打印头](#)

清洁打印机

- [清洁打印机的外表](#)
- [清洁上盖内侧](#)
- [清洁卷纸单元](#)
- [清洗打印头](#)

清洁打印机的外表

为了保证打印质量、防止故障，请定期清扫打印机。

为了舒适使用，请每月 1 次清洁打印机的表面部分。

1. 关闭打印机。

➔ [打开/关闭电源](#)

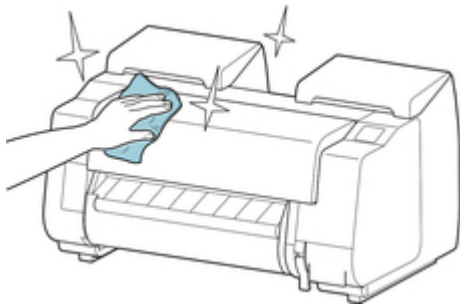
2. 从插座上拔出电源线。

注意

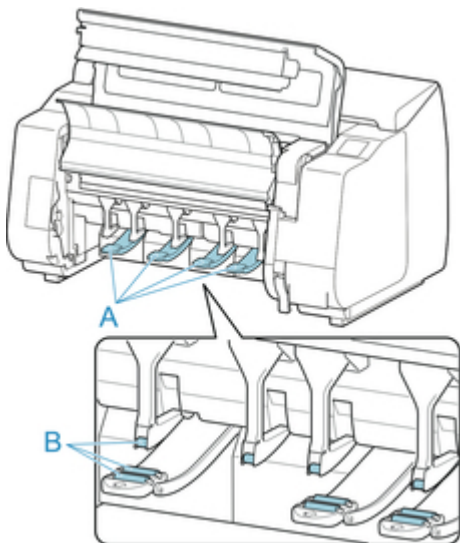
- 请务必关闭打印机电源，然后再从插座上拔掉电源线。误将电源打开时，接触工作的内部零件，有可能会造成伤害。

3. 用浸水后用力拧干的抹布将所有残留物和纸屑擦拭干净，然后用干布擦干。

- 清洁打印机外部和电源线插头。



- 打开上盖和出纸导片，并清洁与纸张接触的部分(A、B)。



警告

- 请勿使用稀释剂、苯、酒精等易燃性溶剂。如果接触打印机内部的电气元件，会引起火灾或触电。

重要事项

- 如果出纸导片脏污，切断纸张时可能会弄脏纸张的边缘。即使看起来没有脏污，我们也建议清洁出纸导片，因为导片上实际可能会附着纸粉。

→ [清洁上盖内侧](#)

4. 将电源线连接在插座上。

清洁上盖内侧

为了保证打印质量、防止故障发生，请大约每月清扫一次上盖内部。

并且，为了操作顺畅，请在以下情况下清洁上盖内部。

- 打印面和纸张背面脏污时
- 用完了 1 卷卷纸时
- 实行了无边界打印时
- 在小尺寸纸张上打印后
- 用大量产生切屑的纸张进行了打印时
- 更换了卷纸时
- 用大量产生纸粉的纸张进行了打印时

重要事项

- 如果上盖内部的压纸滚筒脏污，可能会弄脏纸张背面。进行无边距打印或在小尺寸纸张上打印后，建议清洁压纸滚筒。
- 如果出纸导片脏污，切断纸张时可能会弄脏纸张的边缘。即使看起来没有脏污，我们也建议清洁出纸导片，因为导片上实际可能会附着纸粉。

1. 滑动主页屏幕并点击**维护**。

→ **触摸屏**

出现**维护**屏幕。

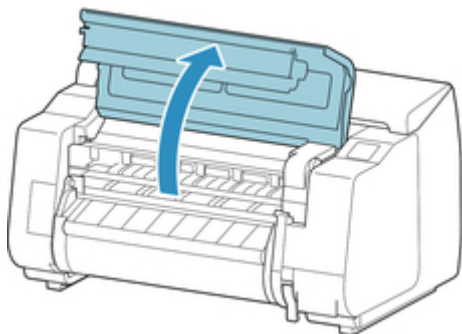
2. 点击**压纸滚筒清洁**。

会出现确认信息。

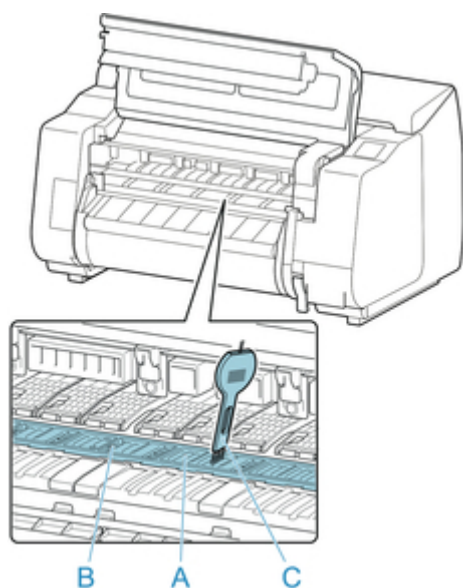
3. 点击**是**。

托架会移动，在其停止移动后触摸屏上会出现说明。

4. 打开上盖。

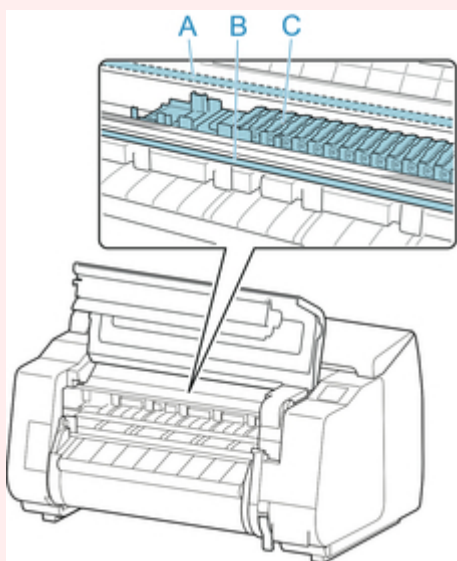


5. 如果纸尘累积在压纸滚筒上的吸口(A)或无边界打印墨水槽(B)上, 请使用打印机附带的清洁刷(C)将其擦拭干净。



重要事项

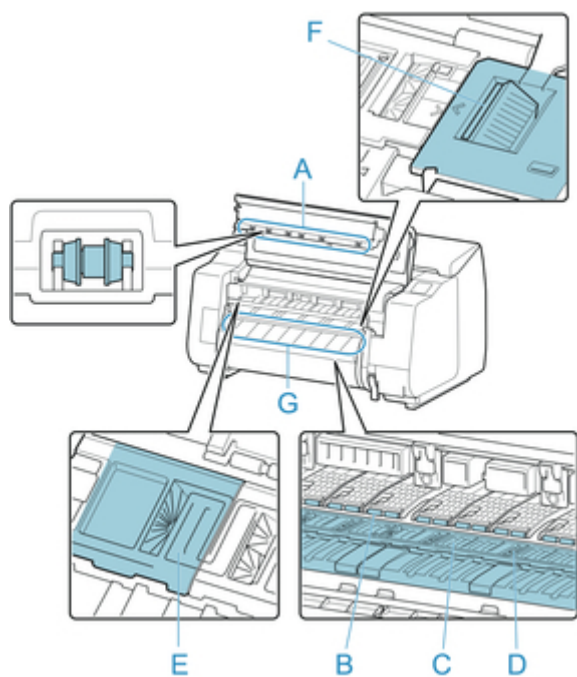
- 请勿碰触线性标尺(A)、托架轴(B)或墨水管稳定器(C)。碰触可能会使其损坏。



注释

- 如果清洁刷脏污, 请用水冲洗。

6. 使用浸水后用力拧干的抹布完全擦除上盖内部的脏污。擦除上罩板压辊(A)、纸张压板(B)、整个压纸滚筒(C)、无边界打印墨水槽(D)、左右侧吸墨孔周围(E、F)和出纸导片(G)等的墨水残留或纸尘(切屑)。



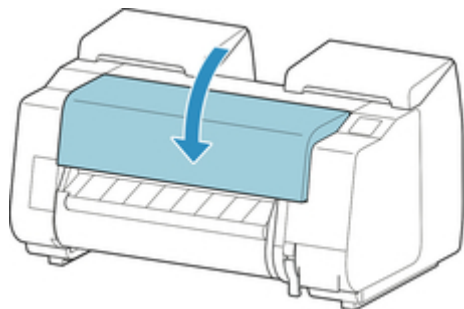
警告

- 请勿使用稀释剂、苯、酒精等易燃性溶剂。如果接触打印机内部的电气元件，会引起火灾或触电。

重要事项

- 请勿使用干布擦拭上盖内部。这可能会产生静电电荷，静电电荷可能吸附尘土并影响打印质量。

7. 关闭上盖。



清洁卷纸单元

请大约每月清洁卷纸单元一次。

1. 取出装入卷纸单元中的所有卷纸。

➔ [从卷纸单元取出下行卷纸\(选装件\)](#)

2. 关闭打印机。

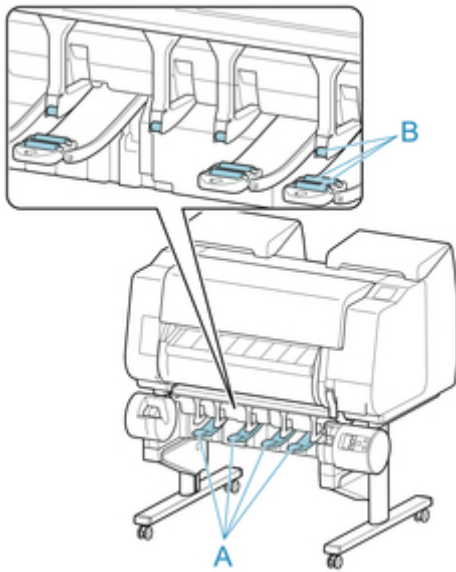
➔ [打开/关闭电源](#)

3. 从插座上拔出电源线。

注意

- 进行清洁或维护前，请务必关闭打印机并拔出电源线。如果误将电源开启，可能会因碰触打印机内部的移动部件导致人身伤害。

4. 用浸水后用力拧干的抹布从接触纸张的区域(A、B)上擦除所有残留物和纸屑，然后用干布擦干。



警告

- 切勿使用酒精、苯、稀释剂等可燃溶剂。如果这些物质接触到卷纸单元内部的电气部件，可能会导致火灾或触电。

5. 将电源线插入插座。

其他维护

- ▶ 进行运输打印机的准备
- ▶ 重新安装打印机

进行运输打印机的准备

为了在搬运过程中保护内部构造，请务必在将打印机运输至新地点之前执行以下步骤。

有关打印机的包装和运输后安装的详细资料，请参见请参见“[重新安装打印机](#)”。

重要事项

- 运输打印机时请务必与佳能用户服务中心联系。如不采取妥当的相应措施就倾斜或立起打印机的话，则会内部墨水漏出，引起故障。

注释

- 执行**准备运输**菜单时需要更换保养墨盒。请参照下表预先准备保养墨盒。根据正在使用的保养墨盒的剩余量，所需的保养墨盒数量有所不同。
- 如果可以使用脚轮或类似工具水平搬运打印机，则无需执行**准备运输**。
- 准备运输打印机时，请务必遵从客户支持中心的说明。

准备运输菜单	使用示例	低温环境下的运输和存放	倾斜容许角度	所需的保养墨盒
在室内同一楼层中移动	室内搬运	否	所有方向：30°之内	1-3
向室内的其他楼层移动	暂时倾斜打印机，同时移动打印机(如使用楼梯时)	否	所有方向：90°之内	1-3
向户外运输	车辆运输	是	所有方向：90°之内	3

取下纸张

1. 取下纸张。

- 使用卷纸时
 - ➔ [从打印机取下上行卷纸](#)
 - ➔ [从卷纸单元取出下行卷纸\(选装件\)](#)
- 单页纸时
 - ➔ [取下单页纸](#)

选择准备运输的菜单

1. 如果触摸屏提示更换保养墨盒，请更换保养墨盒。

- ➔ [更换保养墨盒](#)

2. 滑动主页屏幕并点击**维护**。

- ➔ [触摸屏](#)

出现**维护**屏幕。

3. 点击**准备运输**。

4. 选择并点击运输等级。

显示确认屏幕。

5. 点击**是**。

打印机搬运准备完毕。

准备完毕时，触摸屏上会显示说明。

包装打印机之前，请取下墨水盒。

重要事项

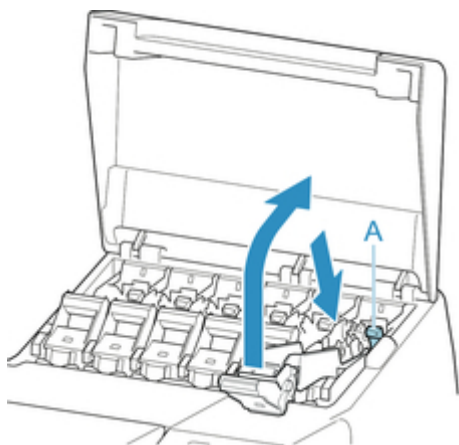
- 如果必须更换耗用品，触摸屏上会出现提示信息，准备工作会被禁用。如果出现信息，点击 **OK** 并联系佳能经销商寻求帮助。

取下墨水盒

1. 打开左侧和右侧墨水盒舱盖以取下所有墨水盒。

➔ [更换墨水盒](#)

2. 如图所示按下释放杆(A)，同时将所有墨水盒锁定杆轻轻推回原位。



3. 关闭墨水盒舱盖。

此时，管内的墨水将被吸出。

此过程完成后，会出现确认信息。

重要事项

- 除非显示更换保养墨盒的提示信息，否则请勿取下保养墨盒。
正在排出墨水时，如果取下保养墨盒，墨水可能会泄漏。

4. 请使用新的保养墨盒更换当前正在使用的保养墨盒。

➔ [更换保养墨盒](#)

5. 按电源按钮并关闭打印机。

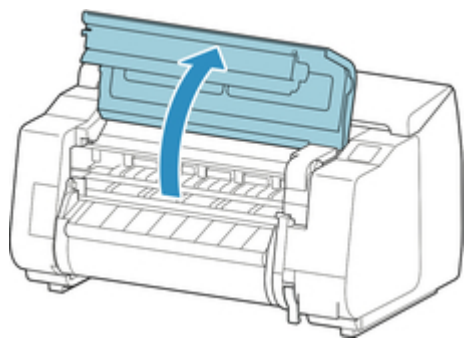
包装打印机

1. 断开电源线和接口电缆。

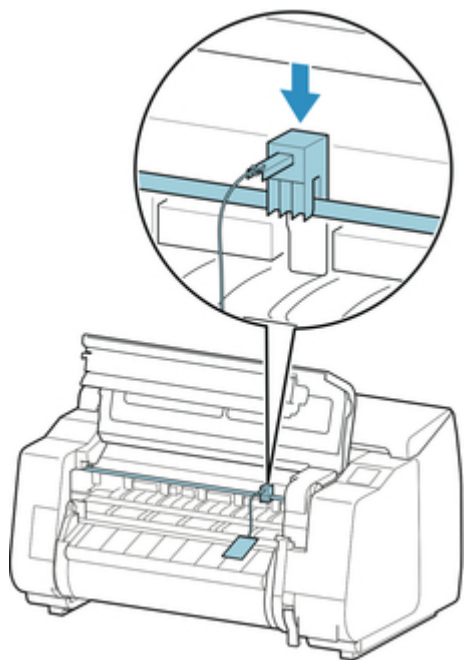
重要事项

- 请在拔出插头前关闭打印机。在关闭前拔出插头并移动打印机，可能会损坏打印机。如果意外拔出打印机的插头，请将其重新插好，重新安装墨水盒并再次执行此步骤。

2. 打开上盖。



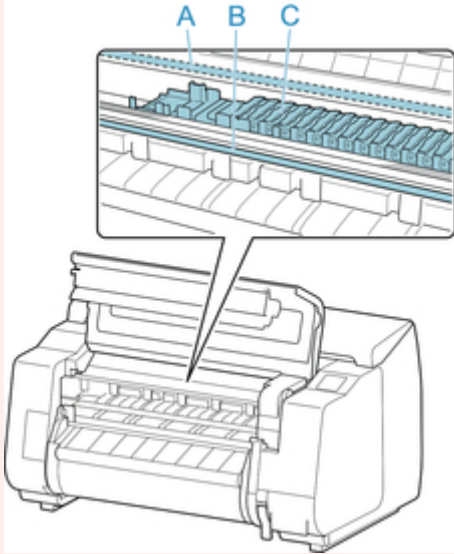
3. 抓住皮带并在图示位置插入皮带止动器。



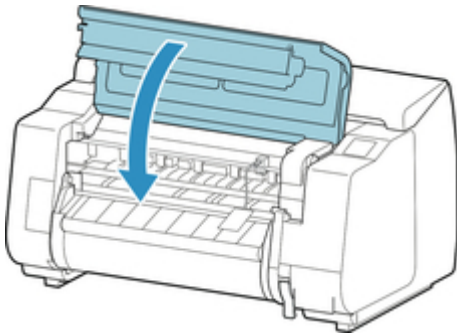
重要事项

- 请安装自初始安装后即取下备用的皮带止动器。不安装皮带止动器可能会损坏打印机。

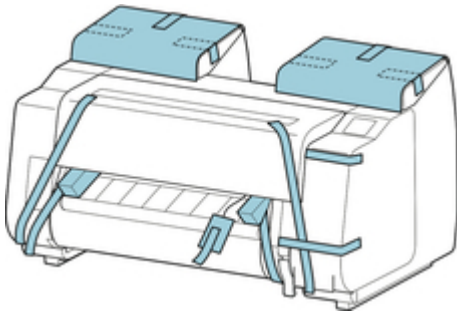
- 请勿碰触线性标尺(A)、托架轴(B)或墨水管稳定器(C)。碰触可能会使其损坏。



4. 关闭上盖。



5. 以与开箱时相反的步骤用粘带固定打印机的各护罩。



6. 按照与安装步骤相反的顺序取下篮子。
7. 以与安装时相反的步骤从支架上卸下打印机。
8. 用与设置时相反的步骤分解、包装支架。
9. 使用包装材料重新包装卷纸支架、支架止动器和打印机，然后将其装入包装箱。

重新安装打印机

重新安装打印机的基本流程如下。

有关详细说明，请参见安装指南。

组装支架

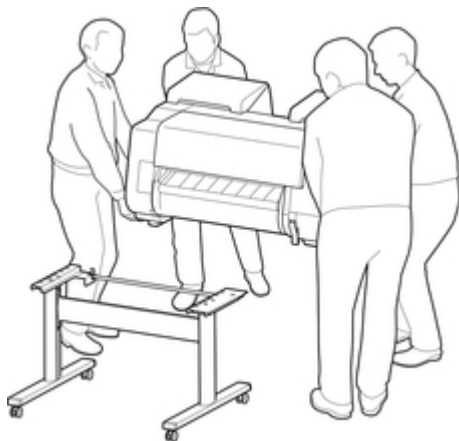
1. 请参阅打印机支架组装说明书，组装支架。

注意

- 请务必由 2 人以上，在平坦的场所组装支架。单人作业可能会导致人身伤害或支架歪斜。
- 组装支架时，请锁定脚轮。另外，移动已组装的支架时，请务必解除锁定，否则可能会损坏安装场所或导致人身伤害。

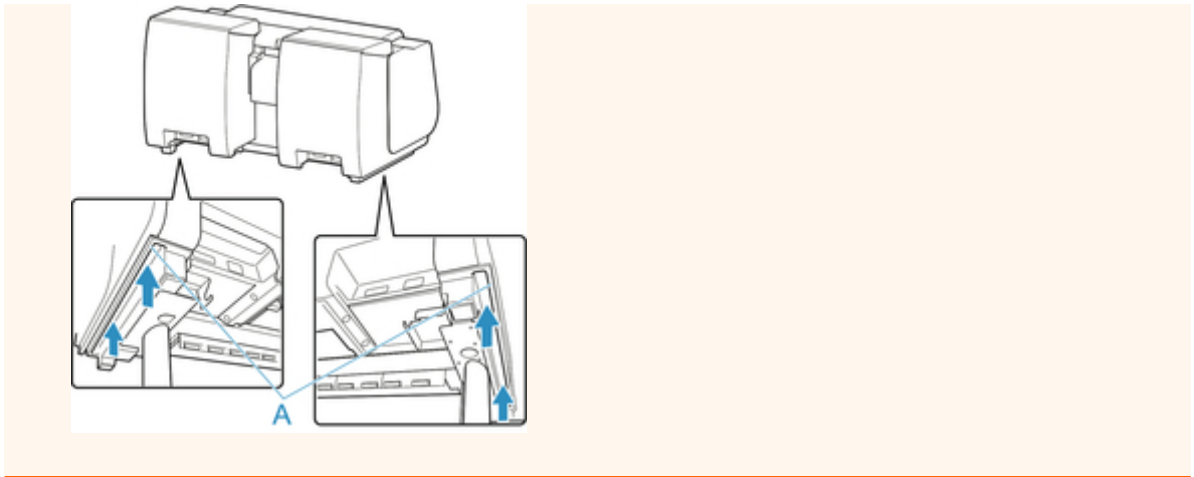
安装打印机

1. 将打印机放置在组装好的支架上，然后用螺丝牢固地固定。

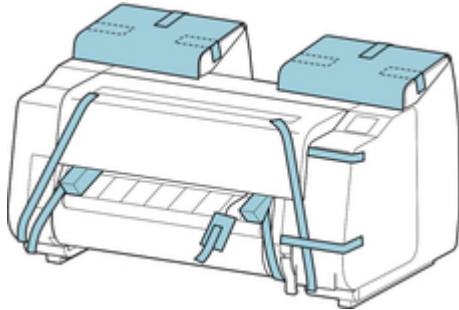


注意

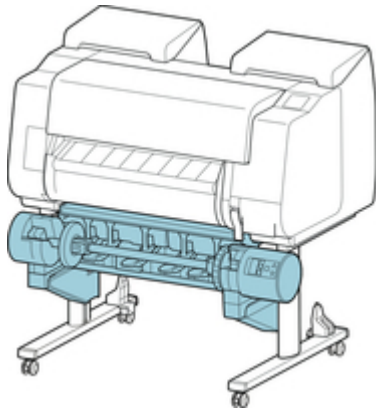
- 搬运打印机时，请务必由 6 人以上从左右抬起，注意不要伤到腰等部位。
- 搬运打印机时，请抓牢左下、右下及后部的搬运把手。握持打印机的其他位置会使打印机不稳，可能因打印机掉落造成人身伤害。



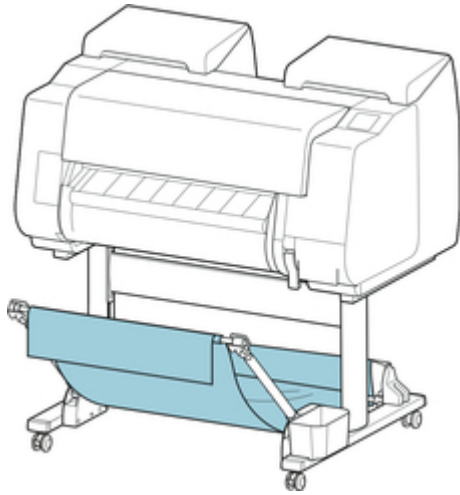
2. 取下安装在打印机上的胶带和包装材料。并且打开上盖后取下打印机内部的止动器及隔板。



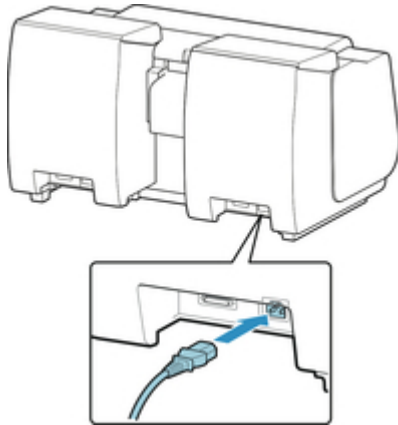
3. 如果使用选购的卷纸单元，请参阅卷纸单元随附的安装指南，将卷纸单元安装到支架上。



4. 请参阅打印机支架组装说明书并将篮子安装到支架上。



5. 将电源线连接至打印机背面的电源线连接器。

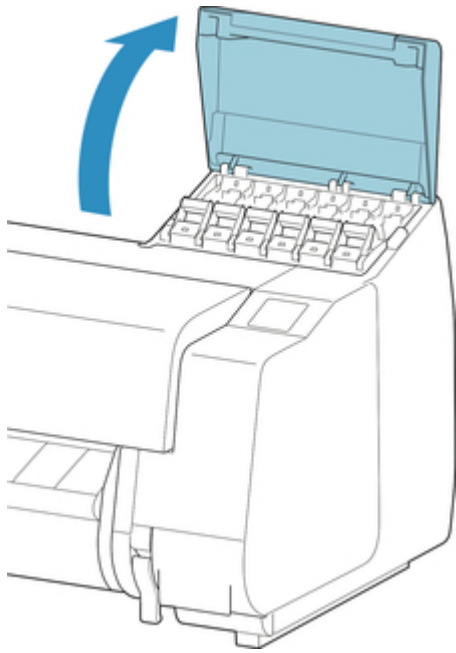


6. 将电源线连接在插座上。

7. 按下电源开关，接通电源。

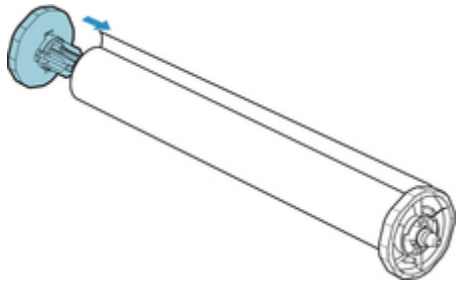
显示“**是否安装运输的打印机？请勿提前安装墨水盒。**”时，点击是。

8. 触摸屏上显示安装墨水盒的说明时，打开墨水盒舱盖并装入墨水盒。



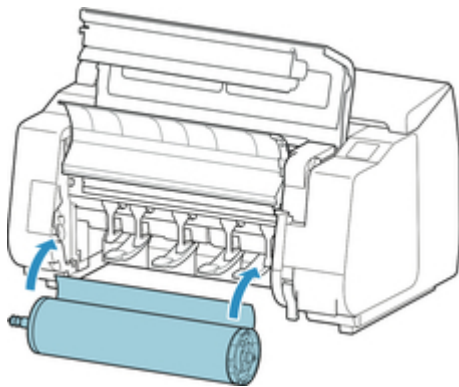
9. 将卷纸支架安装在卷纸上。

(请参见“[在卷纸支架上装入卷纸](#)”。)



10. 将卷纸安装在打印机上。

(请参见“[将上行卷纸装入打印机](#)”。)



11. 安装软件。

请注意，根据连接方法，驱动程序的安装步骤会有所不同。

(请参见“[安装打印机驱动程序](#)”(Windows)。)

(请参见“[安装打印机驱动程序](#)”(Mac OS)。)

规格

▶ 打印机规格

- 规格
- 打印范围

打印机规格

→ [规格](#)

→ [打印范围](#)

规格

重要事项

- 根据使用环境的不同，以下数值可能会有所不同。

打印机

电源		AC 100~240 V(50/60 Hz)
功耗	打印时	约 88W
	睡眠模式时	约 1.8W(*1)
	电源关闭时	约 0.5W(*1) (*2)
动作环境	温度	15 到 30°C(59 到 86°F)
	湿度	10 到 80%RH(无结露)
尺寸(宽×深×高)	仅主机	约 1110×734×628 毫米(43.8×28.9×24.8 英寸)
	主机和支架(不使用篮子时)	约 1110×766×1168 毫米(43.8×30.2×46 英寸)
	主机和支架(使用篮子时: 篮子位置 1) (*3)	约 1110×984×1168 毫米(43.8×38.8×46 英寸)
	主机和支架(使用篮子时: 篮子位置 2/4/5)(*3)	约 1110×1222×1168 毫米(43.8×48.2×46 英寸)
	主机和支架(使用篮子时: 篮子位置 3) (*3)	约 1110×1434×1168 毫米(43.8×56.5×46 英寸)
重量	仅主机(不包括打印头和墨水盒)	约 84 千克(185 磅)
	支架	约 17 千克(37 磅)
	卷纸单元	约 16 千克(35 磅)
安装空间(宽×深×高)	不使用支架时	约 1510×1434×1020 毫米(59.5×56.5×40.2 英寸)
	使用支架时	约 1510×1684×1560 毫米(59.5×66.3×61.5 英寸)
相关标准	国际能源之星计划	

*1:使用 USB 连接时

*2:即使打印机处于关闭状态，仍会消耗少量电量。要彻底避免电力消耗，请关闭打印机并拔出电源线。

*3:关于篮子位置的详细资料，请参见请参见“[篮子设置示例](#)”。

打印性能

打印方式	气泡喷墨方式
最高分辨率	2400dpi(水平)(*1)×1200dpi(垂直)
打印头	PF-10
喷嘴数量	18432 个喷嘴(每种颜色 1536 个喷嘴)

*1:以最小 1/2400 英寸的点(墨滴)间隔进行打印。

存储器和硬盘

存储器	3GB	
硬盘容量	320GB	
	个人邮箱(永久存储区域)	140GB
可以保存的打印作业数量	共同箱	最多 100 个
	个人箱	最多 100 个

界面

可以同时使用 USB 和 LAN。

无法同时使用无线 LAN 和有线 LAN。

USB	Hi-Speed USB(*1)	
USB 内存	USB 闪存	
LAN	有线 LAN	IEEE802.3ab(1000BASE-T) / IEEE802.3u(100BASE-TX) / IEEE802.3(10BASE-T)
	无线 LAN	IEEE802.11n / IEEE802.11g / IEEE802.11b(*2)

*1:要使用 Hi-Speed USB, 您的计算机必须支持 Hi-Speed USB。

此外, Hi-Speed USB 接口与 USB 1.1 完全兼容, 因此即使计算机接口为 USB 1.1, 也可以连接打印机。

*2:可以通过配置标准设置、WPS(Wi-Fi Protected Setup)、WCN(Windows Connect Now)、无电缆线设置建立连接。

网络规格

通讯协议	SNMP(兼容 Canon-MIB)、HTTP、TCP/IP(IPv4/IPv6)	
有线 LAN 规格	符合标准	IEEE802.3ab(1000BASE-T) / IEEE802.3u(100BASE-TX) / IEEE802.3(10BASE-T)
	传送速度	10Mbps / 100Mbps / 1000Mbps(自动选择)
无线 LAN 规格	符合标准	IEEE802.11n / IEEE802.11g / IEEE802.11b

频率范围	2.4GHz
通道	1 至 11 或 1 至 13 根据不同国家和地区会有所不同。
有效范围	室内 50 米(164 英尺) 根据不同环境条件会有所不同。
安全	WEP(64/128 位) WPA-PSK(TKIP/AES) WPA2-PSK(TKIP/AES)
设置	标准设置 WPS(单键方法/PIN 编码方法) WCN(WCN-NET) 无电缆线设置
其他	管理员密码

操作条件

如果操作系统的工作条件较高，则以较高者为准。

Windows	兼容的操作系统 (标配的打印机驱动程序)	32 位版本	Windows 10 Windows 8.1、Windows 8 Windows 7 Windows Vista Windows Server 2008 使用最新的 Service Pack。
		64 位版本	Windows 10 Windows 8.1、Windows 8 Windows 7 Windows Vista Windows Server 2008、 Windows Server 2008 R2 Windows Server 2012、 Windows Server 2012 R2 使用最新的 Service Pack。 不支持 Windows RT(Windows 8 ARM 架构)。
	推荐的操作环境(*1)	CPU	Pentium 4 或更高版本，或者 Athlon 64 或更高版本的处理器
		存储器	1GB 或更大

		可用硬盘容量	20GB 或更大
Mac OS	兼容的操作系统 (标配的打印机驱动程序)	OS X v10.7.5 至 OS X v10.11	
		推荐的操作环境(*1)	CPU
		存储器	2GB 或更大
		可用硬盘容量	20GB 或更大

*1:根据所使用的应用程序软件和数据, 即便在上述环境条件下打印机可能也无法正确输出。

- 使用在线手册需要连接互联网。
- 要在使用 Windows 时安装软件, 必须有光盘驱动器或网络连接。
- 要在使用 Mac OS 时安装软件, 必须有网络连接。

墨水

关于打印机支持的墨水的信息, 请参见“[墨水盒](#)”。

纸张

有关兼容的介质类型的详细资料, 请参见请参见“[纸张信息列表](#)”。

纸张宽度	有关打印机支持的纸张宽度的详细资料, 请参见请参见“ 纸张大小 ”。	
最小纸张长度	203.2 毫米(8.00 英寸)	
可打印的最大长度	卷纸(*1)	18 米(59 英尺)
	单页纸	1.6 米(5.2 英尺)(*2)
纸张厚度	卷纸	0.07-0.8 毫米(3-31 千分之一英寸)
	单页纸	0.07-0.8 毫米(3-31 千分之一英寸)
卷纸最大外径	170 毫米(6.7 英寸)或更短	
支持的纸管内径	50.8 毫米/76.2 毫米(2 英寸/3 英寸)	
打印范围	有关打印区域的详细资料, 请参见请参见“ 打印范围 ”。	

*1:根据操作系统或应用程序而变化。

*2:使用支架时

打印范围

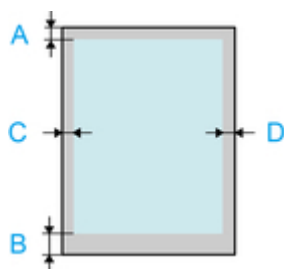
打印机对安装在打印机上的纸张，需要有打印动作所需的页边距。除无边界打印以外，从所选的纸张尺寸去除页边距后的部分为实际的打印范围。

注 释

- 可打印范围：指可以打印的范围。
- 使用卷纸执行无边距打印时，边距为 0 毫米(0 英寸)。但是，根据纸张尺寸的不同，较小的边距可能不可用。
 - ➔ [根据情况执行无边距打印\(Windows\)](#)
 - ➔ [根据情况执行无边距打印\(Mac OS\)](#)
- 打印推荐范围：建议在该范围内进行打印。
- 要使文档尺寸符合实际打印区域，请在添加了所需的边距的超大尺寸纸张上打印。
 - ➔ [打印超大尺寸纸张\(Windows\)](#)
 - ➔ [打印超大尺寸纸张\(Mac OS\)](#)

	可打印领域的页边距			推荐打印领域的页边距		
	上端	下端	左右端	上端	下端	左右端
单页纸	3 毫米(0.2 英寸)	20 毫米(0.8 英寸)	3 毫米(0.2 英寸)	20 毫米(0.8 英寸)	20 毫米(0.8 英寸)	3 毫米(0.2 英寸)
卷纸	3 毫米(0.2 英寸)	3 毫米(0.2 英寸)	3 毫米(0.2 英寸)	20 毫米(0.8 英寸)	3 毫米(0.2 英寸)	3 毫米(0.2 英寸)

单页纸



A. 上端

B. 下端

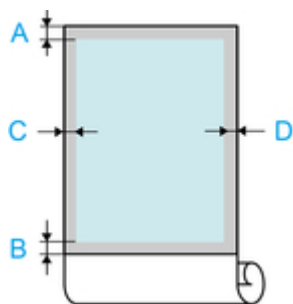
C. 左边缘

D. 右边缘

- **可打印范围**
需要上端 3 毫米(0.2 英寸)、下端 20 毫米(0.8 英寸)、两侧 3 毫米(0.2 英寸)的边距。
- **打印推荐范围**

需要上端 20 毫米(0.8 英寸)、下端 20 毫米(0.8 英寸)、两侧 3 毫米(0.2 英寸)的边距。

卷纸



A. 上端

B. 下端

C. 左边缘

D. 右边缘

- **可打印范围**

需要上下端 3 毫米(0.2 英寸)以及两侧 3 毫米(0.2 英寸)的边距。执行无边距打印时，上下左右的边距为 0 毫米(0 英寸)。有关支持无边距打印的纸张的信息，请参见“纸张信息列表”。

- **打印推荐范围**

需要上端 20 毫米(0.8 英寸)、下端 3 毫米(0.2 英寸)、两侧 3 毫米(0.2 英寸)的边距。

安全相关

- ▶ [安全注意事项](#)
- ▶ [法规信息](#)
- ▶ [WEEE \(EU&EEA\)](#)

安全注意事项

选择放置位置

- 切勿将打印机放置在不稳固或会发生震动的表面。
- 请勿将打印机放置在高湿度、多尘、阳光直射、户外或接近热源的地方。
为了避免火灾或触电危险，请在[规格](#)中指定的环境下使用打印机。
- 请勿将打印机放置于厚垫或地毯上。
- 请勿将打印机背面紧贴墙壁放置。
- 建议为安装留出充足的空间。
- 请勿将打印机放置在强磁场源(包括会产生此类磁场的设备或会出现此类磁场的场所)附近。

电源供应

- 时刻确保电源插座附近没有障碍物，以便必要时可以轻易地拔出电源线。
- 切勿拽着电源线拔出插头。
拉拽电线可能损坏电源线，并可能导致火灾或电击。
- 请勿使用延长线。

在打印机附近工作时

- 切勿在打印过程中将手或手指伸入打印机内。
- 搬运打印机至少需要由 6 个人抓住其两侧。请注意避免背部拉伤和其他人身伤害。
- 搬运打印机时，请牢固地抓住各边底部的搬运用把手。如果抓住其他部位打印机可能会不稳固或跌落而导致人身伤害。
- 请勿将任何物品放置于打印机上。尤其勿将金属物品(如纸夹、订书钉等)或装有易燃溶剂(如酒精、稀释剂等)的容器放置于打印机上。
- 运输或使用打印机时，请勿使其倾斜、直立或倒置，否则墨水可能漏出并损坏打印机。

打印头/墨水盒/保养墨盒

- 请将墨水盒存放在远离孩童可接触的地方。如果不慎舔到或咽下墨水，请及时漱口或喝一两杯清水。如果感觉刺激或不适，请立即就医。
- 如果墨水进入眼中，请立即用水清洗。如果墨水接触到皮肤，请立即用肥皂和水清洗。如果眼部或皮肤仍感觉刺激，请立即就医。
- 切勿在打印后触摸打印头上的电气触点。
金属部件可能非常灼热，并可能造成烫伤。
- 请勿将墨水盒和保养墨盒投入火中。
- 请勿尝试拆开或改装打印头、墨水盒和保养墨盒。
- 请避免摇晃打印头、墨水盒和维护用墨盒，也请避免使其掉落。

法规信息

电源要求

切勿使用购买时所在国家的电压供应以外的电源电压。使用不正确的电压将导致火灾或电击。正确的电源电压和频率如下：

AC 100-240V、50/60Hz


锂电池

- 请根据当地法规弃置使用过的电池。
- 如果更换的电池类型不正确，会有发生爆炸的危险。

产品中有害物质的名称及含量

部件名称	有害物质					
	铅 (Pb)	汞 (Hg)	镉 (Cd)	六价铬 (Cr(VI))	多溴联苯 (PBB)	多溴二苯醚 (PBDE)
印刷电路板零部件	×	○	○	○	○	○
电源零部件	×	○	○	○	○	○
电气零部件	×	○	○	○	○	○
结构零部件	×	○	○	○	○	○
图像扫描/光源单元	×	×	○	○	○	○

本表格依据 SJ/T 11364 的规定编制。
○：表示该有害物质在该部件所有均质材料中的含量均在 GB/T 26572 规定的限量要求以下。
×：表示该有害物质至少在该部件的某一均质材料中的含量超出 GB/T 26572 规定的限量要求。
注释：根据产品的不同，一些部件不适用于此指令。

 中华人民共和国 电子电气产品有害物质限制使用标志	本标志适用于在中华人民共和国销售的电子电气产品，标志中央的数字代表产品的环保使用期限。 只要您遵守与本产品相关的安全与使用方面的注意事项，在从生产日期起算的上述年限内，就不会产生环境污染或对人体及财产的严重影响。
--	---

1. 标明附件中所规定的技术指标和使用范围，说明所有控制、调整及开关等使用方法；
 - 使用频率：2.4 - 2.4835 GHz
 - 等效全向辐射功率(EIRP):
天线增益 < 10dBi 时：≤100 mW 或 ≤20 dBm
 - 最大功率谱密度：
天线增益 < 10dBi 时：≤10 dBm / MHz(EIRP)
 - 载频容限：20 ppm
2. 不得擅自更改发射频率、加大发射功率(包括额外加装射频功率放大器)，不得擅自外接天线或改用其它发射天线；
3. 使用时不得对各种合法的无线电通信业务产生有害干扰；一旦发现有干扰现象时，应立即停止使用，并采取措施消除干扰后方可继续使用；

4. 使用微功率无线电设备，必须忍受各种无线电业务的干扰或工业、科学及医疗应用设备的辐射干扰；
5. 不得在飞机和机场附近使用。

WEEE (EU&EEA)

此规定仅适用于欧盟和 EEA（挪威、冰岛和列支敦士登）。
此处没有通知信息。

打印流程

- ➔ [打印步骤](#)
- ➔ [中止打印](#)
- ➔ [打印的暂停](#)

打印步骤

- ➔ [卷纸打印与单页纸打印可以做的事情](#)
- ➔ [打开/关闭电源](#)
- ➔ [安装卷纸并打印](#)
- ➔ [安装单页纸进行打印](#)
- ➔ [通过 Windows 打印](#)
- ➔ [从 Mac OS 打印](#)

卷纸打印与单页纸打印可以做的事情

该打印机可以打印卷纸和单页纸。

这里介绍卷纸打印、单页纸打印的特征和可以设置的主要打印方法。请根据目的选择纸张。

注 释

- 关于打印机支持的纸张类型的信息，请参见“[纸张类型](#)”。
- 除了这里介绍的方法外，还可以使用多种其他方法打印。有关详细资料，请参见“[增强的打印选项](#)”。

卷纸打印

卷纸是指卷成筒状的纸张。装在卷纸支架上，再安装在打印机上。

可以打印大尺寸的照片和用通常的单页纸不能打印的海报或横幅等。

- 长尺寸打印

可以从 Microsoft Office 等应用软件简单地打印竖幅或横幅。

(请参见“[打印条幅和横幅\(大幅面打印\)](#)”(Windows)。)

(请参见“[打印条幅和横幅\(大幅面打印\)](#)”(Mac OS)。)

- 无边界打印

可以在海报或照片等的周围不加页边距地进行打印。

(请参见“[根据情况执行无边距打印](#)”(Windows)。)

(请参见“[根据情况执行无边距打印](#)”(Mac OS)。)

- 打印条幅

可以消除页与页之间的页边距将之作为整张的纸打印几页的数据。

(请参见“[连接多页打印](#)”(Windows)。)

(请参见“[连接多页打印](#)”(Mac OS)。)

- 90 度旋转打印

打印纵长的原稿时，可以将原稿旋转 90 度，减少页边距进行打印。

(请参见“[通过将文档旋转 90 度节省卷纸](#)”(Windows)。)

(请参见“[通过将文档旋转 90 度节省卷纸](#)”(Mac OS)。)

- 放大/缩小打印

可以大幅度地拉长或缩小原稿，自由地调整尺寸进行打印。

(请参见“[比例打印](#)”(Windows)。)

(请参见“[比例打印](#)”(Mac OS)。)

- Free Layout(Windows)/imagePROGRAF Free Layout(Mac OS)

可以并列打印文字处理软件和表计算软件等复数的应用软件制作的原稿。

(请参见“[排列并打印多个文档](#)”(Windows)。)

(请参见“[排列并打印多个文档](#)”(Mac OS)。)

注 释

- 将选购的卷纸单元设置为进纸模式，并将卷纸装入卷纸 1(上行)和卷纸 2(下行)2 个支架上，则将具有以下优点。

- 可以节省更换纸张的工夫。

通过在上行卷纸和下行卷纸上装入不同介质类型或纸张尺寸的卷纸，打印时可以在打印机驱动程序的**纸张来源**中选择卷纸，无需更换卷纸。

(请参见“[页设置选项卡的说明](#)”(Windows)。)

(请参见“[质量与介质类型](#)”(Mac OS)。)

- 可以自动选择符合打印作业的纸张进行打印

在打印机驱动程序的**纸张来源**中选择**卷纸(自动)**，将自动从装入的卷纸中选择符合打印作业的卷纸进行打印。

(请参见“[通过自动切换上行和下行卷纸进行打印](#)”(Windows)。)

(请参见“[通过自动切换上行和下行卷纸进行打印](#)”(Mac OS)。)

单页纸打印

单页纸是指裁成张的纸张。也称单张纸。

将单页纸插入压纸滚筒和纸张压板之间。

- 放大/缩小打印

可以大幅度地拉长或缩小原稿，自由地调整尺寸进行。

(请参见“[比例打印](#)”(Windows)。)

(请参见“[比例打印](#)”(Mac OS)。)

- Free Layout(Windows)/imagePROGRAF Free Layout(Mac OS)

可以并列打印文字处理软件和表计算软件等复数的应用软件制作的原稿。

(请参见“[排列并打印多个文档](#)”(Windows)。)

(请参见“[排列并打印多个文档](#)”(Mac OS)。)

打开/关闭电源

打开电源

1. 按**电源**按钮以开启打印机。

打印机启动。

触摸屏上出现 Canon 徽标，然后显示“正在启动系统 请稍候。”。



2. 启动完成后，**电源**按钮亮起，打印机进入待机模式。





在以下情况下，打印机将不会进入待机模式。请采取必要的操作。

- **上盖已打开**
关闭上盖。
- **墨水盒舱盖已打开**
关闭墨水盒舱盖。
- **没有安装打印头**
→ [更换打印头](#)
- **没有安装墨水盒**
→ [更换墨水盒](#)
- **错误出现在触摸屏**
检查触摸屏上的信息并采取必要的操作。
- **电源按钮和状态指示灯从未亮起，并且触摸屏上未显示任何内容**
确认正确连接打印机的电源线。请检查插头和电源插座的连接。
- **没有安装纸张时**
请安装纸张。(请参见“[安装卷纸并打印](#)”。)(请参见“[安装单页纸进行打印](#)”。)

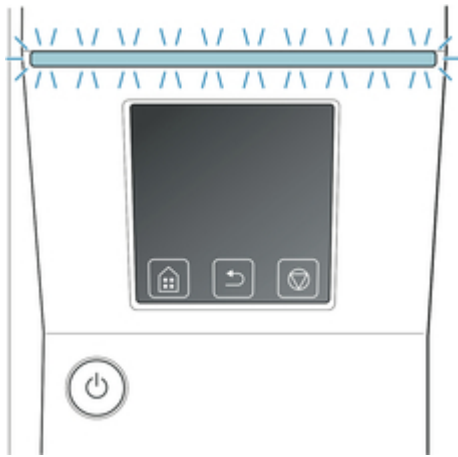
关闭电源

重要事项

- 在打印机工作中，请绝对不要切断电源的供给或拔掉电源线。否则会引起打印机的故障和损坏等。

1. 确认打印机没有在工作。

状态指示灯闪烁时，表明打印机正在运行。指示灯的颜色分别表示以下状态。



如果**状态**指示灯闪烁橙色，请检查触摸屏上的信息并采取必要的操作。

如果**状态**指示灯闪烁白色，表明打印机正在接收打印作业。请在打印结束后关闭打印机。

2. 按住**电源**按钮 1 秒钟以上。



“正在结束 请稍候。”出现在触摸屏上，然后打印机自行关闭。

安装卷纸并打印

这里说明安装卷纸后到打印的基本操作。

用以下步骤安装卷纸并打印。

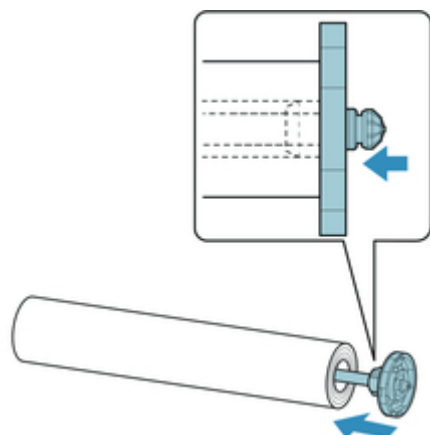
注 释

- 有关可使用的卷纸大小和类型的详细资料，请参见“[纸张大小](#)”或“[纸张信息列表](#)”。
- 要在打印完成后等待墨水干燥后再裁切卷纸，请在打印机驱动程序中设置干燥时间。(请参见“[设置卷纸的墨水干燥时间](#)”。)
- 使用完全部卷纸之后，请清洁压纸滚筒。如果上盖内部的压纸滚筒脏污，可能会弄脏纸张背面。(请参见“[清洁上盖内侧](#)”。)

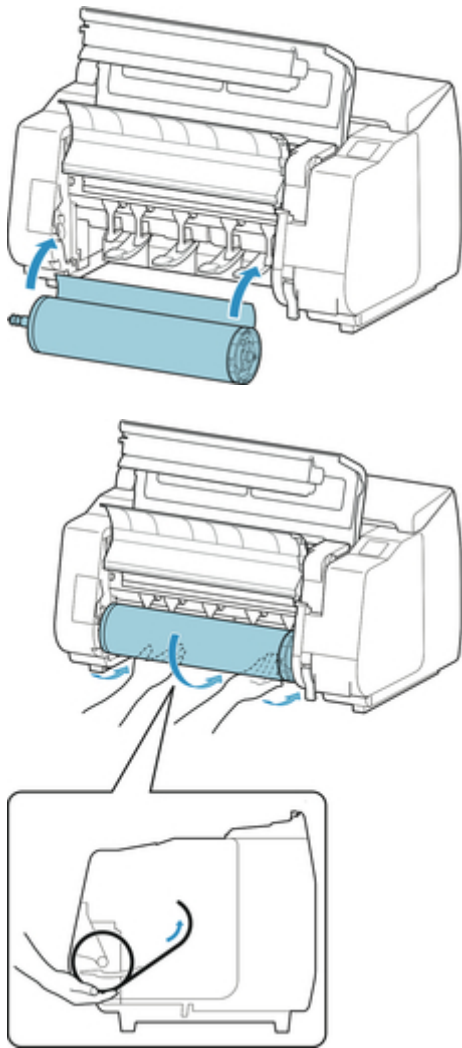
1. 打开打印机的电源。(请参见“[打开/关闭电源](#)”。)



2. 将卷纸安装到卷纸支架上。(请参见“[在卷纸支架上装入卷纸](#)”。)



3. 将卷纸装入打印机或卷纸单元。(请参见“[将上行卷纸装入打印机](#)”。)(请参见“[在卷纸单元上装入下行卷纸\(选装件\)](#)”。)



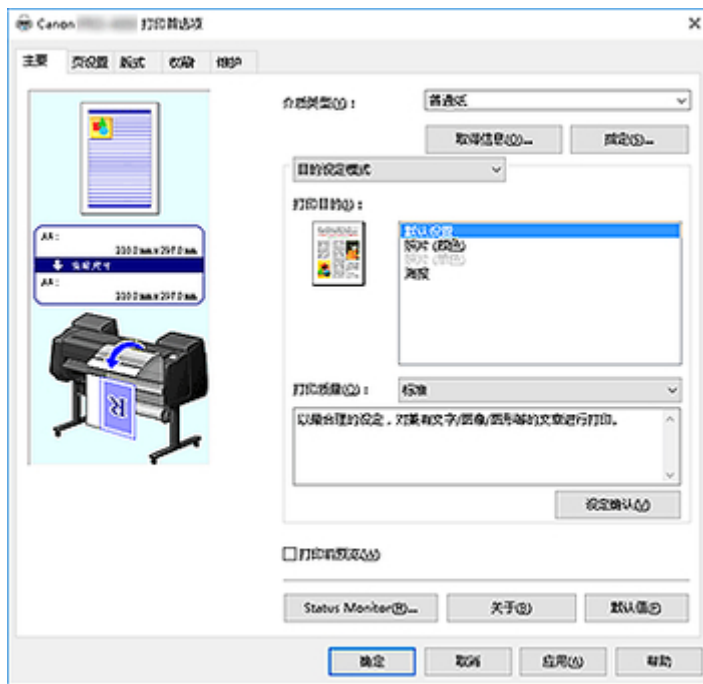
4. 选择介质类型。(请参见“[变更介质类型](#)”。)

▶▶▶ 注释

- 如果卷纸上没有打印条形码且将**管理剩余卷纸量**设置为**启用**，则在选择介质类型后指定卷纸长度。(请参见“[设置纸张的长度](#)”。)

5. 用打印机驱动程序选择介质类型等。

- [如何打开打印机驱动程序设置窗口\(Windows\)](#)
- [如何打开打印机驱动程序设置窗口\(Mac OS\)](#)



6. 发送打印作业。

- [通过 Windows 打印](#)
- [从 Mac OS 打印](#)

开始打印。

安装单页纸进行打印

这里说明安装单页纸后到打印的基本操作。

安装单页纸进行打印时，请进行以下步骤的操作。

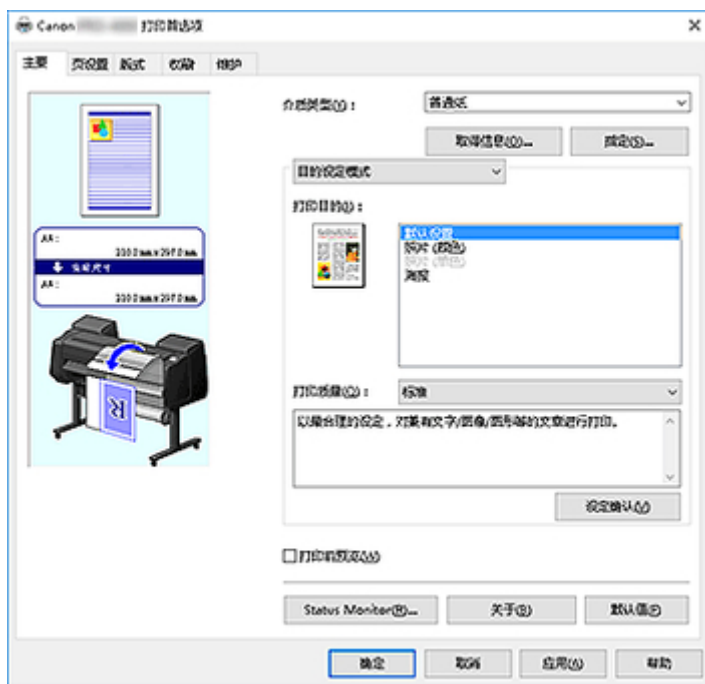
注釋

- 有关可装入的卷纸大小和类型的详细资料，请参见“[纸张大小](#)”或“[纸张信息列表](#)”。
- 单页纸不支持无边界打印。关于单页纸打印的特点和主要打印方法，请参见“[卷纸打印与单页纸打印可以做的事情](#)”。

1. 打开打印机的电源。(请参见“[打开/关闭电源](#)”。)



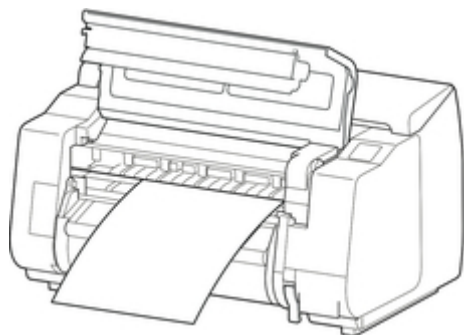
2. 用打印机驱动程序选择介质类型等。
 - [如何打开打印机驱动程序设置窗口\(Windows\)](#)
 - [如何打开打印机驱动程序设置窗口\(Mac OS\)](#)



3. 发送打印作业。

- [通过 Windows 打印](#)
- [从 Mac OS 打印](#)

4. 安装单页纸。(请参见“[将单页纸安装到打印机上](#)”。)



开始打印。

通过 Windows 打印

通过应用程序的菜单打印。

重要事项

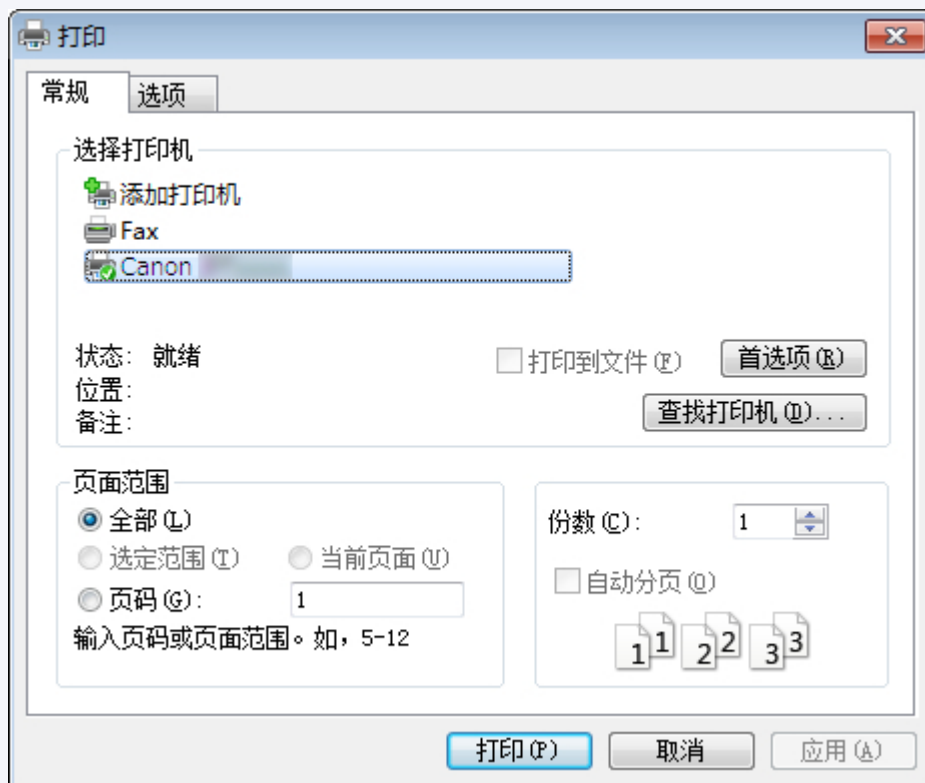
- 建议在打印时结束打印不需要的应用软件。在打印时启动多数的应用软件的话，由于电脑负担过重，会有发往打印机的打印作业的传送出现中断，打印质量下降的情况。

- 通过应用程序的**文件菜单选择打印**，然后再打开设置打印条件的对话框。
- 确认显示的对话框中选择了打印机，然后再单击**打印或确定**，开始打印。

注释

- 显示的对话框根据应用软件而有所不同。在很多应用软件中，可以通过此对话框选择打印机、设置打印页面和打印份数等基本打印条件。

通过应用软件显示的[打印]对话框的示例



- 选择了其他的打印机时，单击**选择打印机**或**打印机**，然后在显示的对话框中选择用来打印的打印机。

可以使用打印机驱动程序对话框配置各种打印设置，如放大或缩小打印以及无边距打印。可以从应用程序软件或操作系统菜单中打开打印机驱动程序对话框。有关详细资料，请参见“[如何打开打印机驱动程序设置窗口](#)” (Windows)或“[如何打开打印机驱动程序设置窗口](#)” (Mac OS)。

从 Mac OS 打印

在计算机上登录打印机，然后再通过应用程序的菜单打印。

重要事项

- 建议在打印时结束打印不需要的应用软件。在打印时启动多数的应用软件的话，由于电脑负担过重，会有发往打印机的打印作业的传送出现中断，打印质量下降的情况。

登录打印机

打印之前，打印机需要在系统预置的打印与扫描中注册（在其他版本的 Mac OS X 中，表示为 [打印机与扫描仪] 或打印与传真）。

有关注册打印机的方法，请参见“在网络上共享打印机(Mac OS)”。

重要事项

- 登录打印机时，打印机的电源处于关闭状态，或者电源线已拔下的话，打印机一览中不显示打印机。

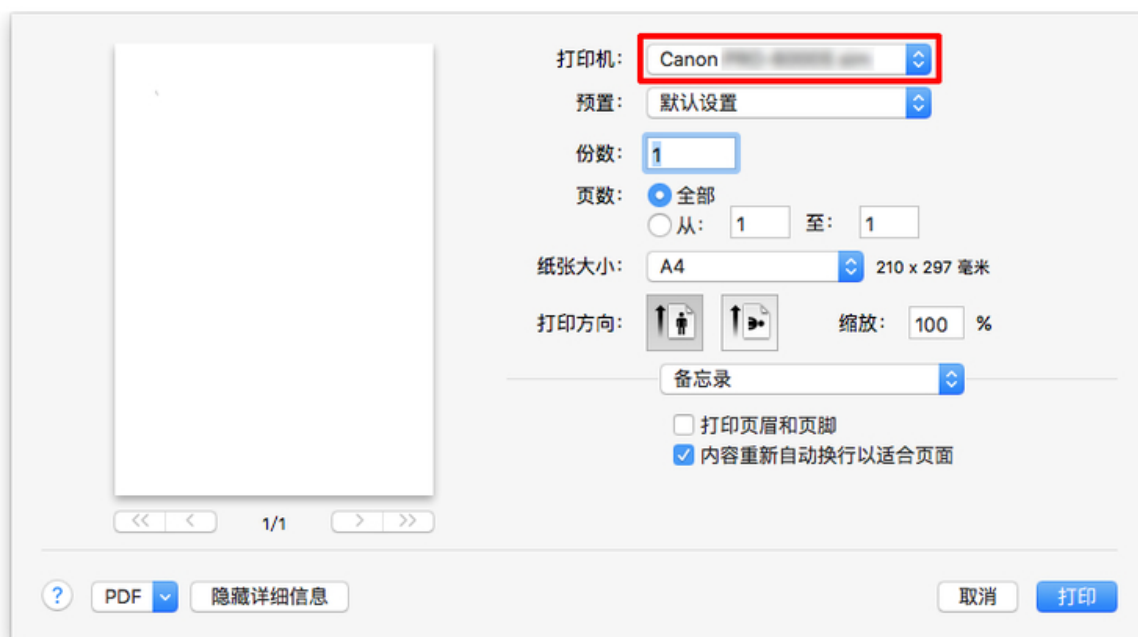
由应用软件进行打印

- 通过应用程序的文件菜单选择打印，然后再打开设置打印条件的对话框。

注释

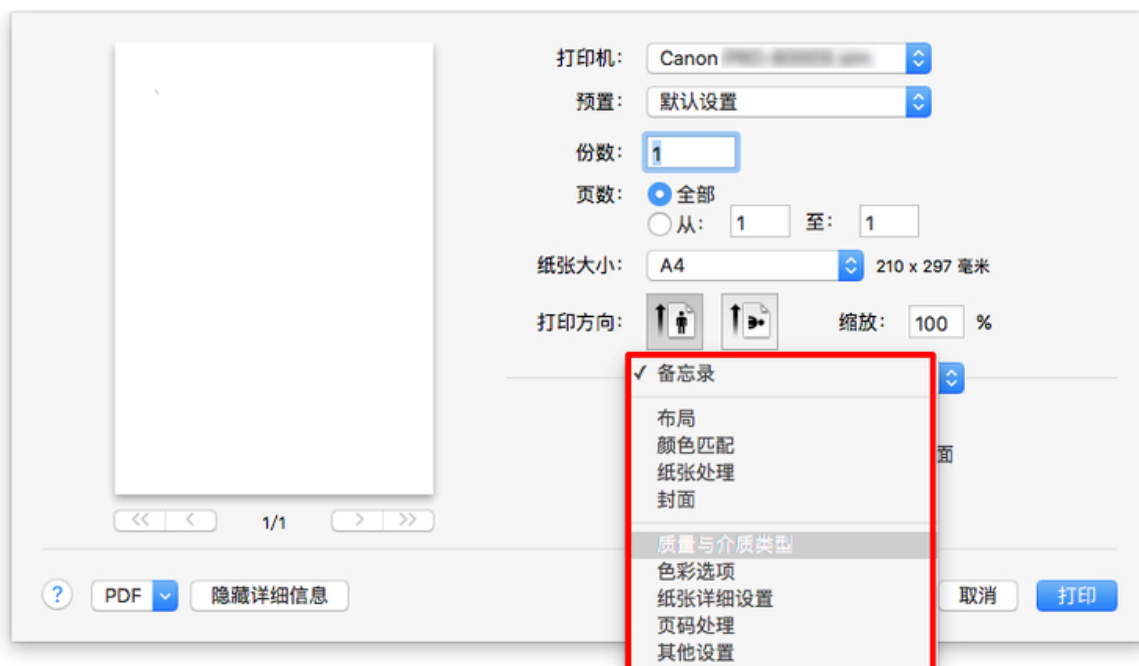
- 可以在此对话框中选择打印机、设置打印页和打印份数等基本打印条件。

- 在打印机一览表上选择打印机。



3. 单击打印，开始打印。

如图所示，放大/缩小打印和无边界打印等各种打印的设置通过切换对话框的画面来进行。

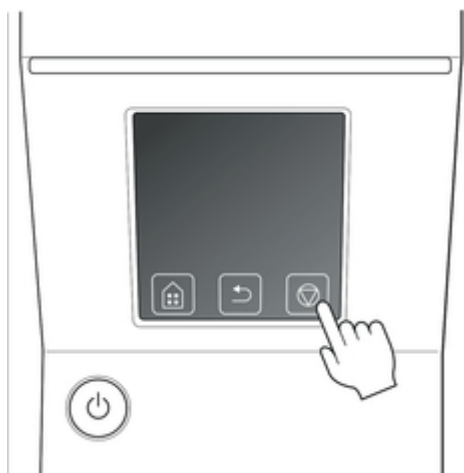


中止打印

- ➔ [通过操作面板中止打印](#)
- ➔ [通过 Windows 中止打印](#)
- ➔ [通过 Mac OS 中止打印](#)

通过操作面板中止打印

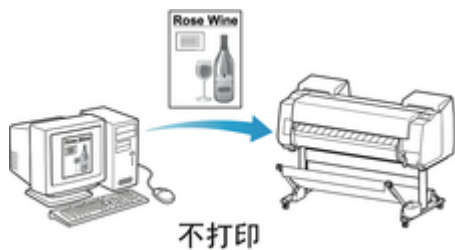
要取消打印作业的打印或接收，请按操作面板上的**停止**按钮。



打印期间按**停止**按钮时，根据当前状态，打印机操作会有所不同。

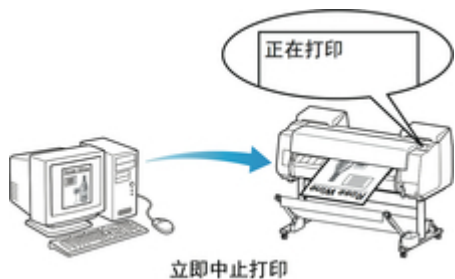
- **打印开始前按停止按钮**

在打印开始前按**停止**按钮，将显示确认信息。要取消打印作业，请选择**是**。



- **打印时按停止按钮**

在打印时按**停止**按钮，将显示确认信息。要立即取消打印作业，请选择**是**。



通过 Windows 中止打印

可以用打印机的视窗中止正在向打印机发送的作业。

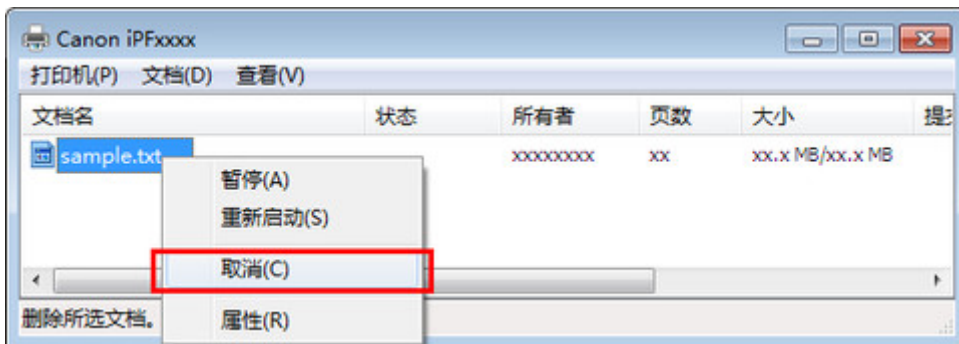
可以通过 Canon IJ 状态监视器取消打印机已接收的作业及正在打印的作业。

1. 单击任务条中显示的打印机图标，打开打印机窗口。

注

- 您可从文件夹继续以在您使用的操作系统中配置打印机设置。
例如，在 Windows 7 中，从**开始菜单**打开**设备和打印机**窗口并双击打印机图标。

2. 选择要中止的文档，右击在显示出的菜单中选择**取消**。



3. 打印机视窗中没有显示要取消的作业时(即，打印机已完成打印数据的接收)，单击任务栏图标以显示 Canon IJ 状态监视器。
4. 单击**取消打印**。



注釋

- 画面会根据您所使用打印机型号的不同而稍有不同。

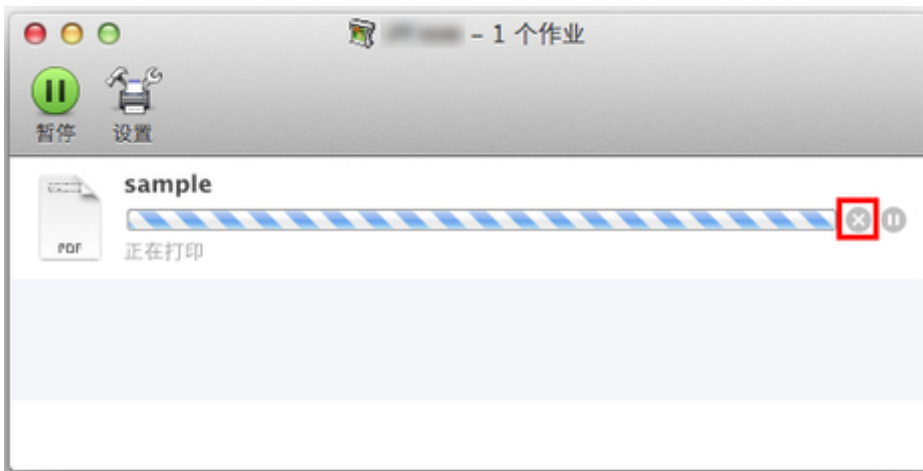
通过 Mac OS 中止打印

可以用打印机的视窗中止正在向打印机发送的作业。

注釋

- 打印机视窗在从电脑向打印机发送打印数据的时间内显示作业。向打印机发送打印数据结束时，即使在打印中也不显示作业。

1. 单击桌面的 **Dock** 中显示的打印机图标，打开打印机窗口。
2. 单击作业的 × 取消打印或选择作业，以取消打印，然后单击**删除**来删除作业。



注釋

- 如果要取消的作业未显示在打印机视窗中(即，如果打印机已接收打印数据)，可以通过打印机的操作面板或者 RemoteUI 取消打印。有关详细资料，[“通过操作面板中止打印”](#) 或请参见 [“使用 Web 浏览器更改设置”](#)。

打印的暂停

→ [使打印处于暂停状态](#)

使打印处于暂停状态

在打印过程中，如果将**暂停打印**设置为**启用**，则使用此设置时，打印过程完成后，打印机将进入暂停打印的状态。

在停止打印状态下，不实行作业排队的打印。

要在暂停打印后恢复正常操作，将**暂停打印**设置为**禁用**。

注 释

- 在以下情况下，即使未将**暂停打印**设置为**禁用**，此状态也会解除并恢复作业队列中的打印。
 - 供纸了时
 - 从纸张设置显示区域更改了介质类型

1. 打印时，点击主页屏幕上的**作业管理**。



注 释

- 如果主页屏幕未显示，则按**主页**按钮。

2. 点击**暂停打印**。

3. 点击**启用**或**禁用**。

增强的打印选项

► 从计算机打印 (Windows)

- 使用简易设置进行打印 **▼基础**
 - 变更介质类型
- 设置打印份数和打印顺序
- 通过卷纸单元使用双卷纸
 - 关于双卷纸切换
 - 根据用途设置打印机中的卷纸
 - 通过自动切换上行和下行卷纸进行打印
 - 如何切换卷纸
 - 将卷纸单元设置反映至打印机驱动程序
- 打印照片和业务文档
 - 通过设置打印用途进行打印
 - 在 PosterArtist 中编辑并打印
- 更改打印质量及修正图像数据
 - 调整色彩平衡
 - 设置打印质量级别(用户定义)
 - 用单色打印彩色文档
 - 调整色调
 - 指定色彩修正
 - 图像数据最佳化照片打印
 - 使用打印机驱动程序调整色彩
 - 使用 ICC 配置文件进行打印
 - 解析 ICC 配置文件
 - 调节亮度
 - 调节对比度
 - 使用详细设置模式打印
- 比例打印
- 打印超大尺寸纸张

- 设置纸张尺寸(用户定义尺寸)
- 根据情况执行无边距打印
 - 根据纸张尺寸执行无边距打印
 - 根据卷纸宽度执行无边距打印
 - 执行无边距全尺寸打印
- 更改无色涂膜设置
- 打印条幅和横幅(大幅面打印)
- 通过分割/组合文档进行打印
 - 排列并打印多个文档
 - 连接多页打印
 - 在一个页面上打印多页
 - 分割并打印海报
- 居中打印文档
- 节省卷纸进行打印
 - 通过将文档旋转 90 度节省卷纸
 - 通过去除文档上下页边距节省卷纸
- 转换符合用途的纸张来源
- 打印前显示打印效果
- 其他便捷设置
 - 印记打印
 - 注册印记
 - 设置页尺寸和方向
 - 注册常用打印配置文件
 - 打印后裁切卷纸

► 从计算机打印 (Mac OS)

- 使用简易设置进行打印 **👉基础**
 - 变更介质类型
- 设置打印份数和打印顺序

- 通过卷纸单元使用双卷纸
 - 关于双卷纸切换
 - 根据用途设置打印机中的卷纸
 - 通过自动切换上行和下行卷纸进行打印
 - 如何切换卷纸
 - 将卷纸单元设置反映至打印机驱动程序

- 更改打印质量及修正图像数据
 - 调整色彩平衡
 - 设置打印质量级别(用户定义)
 - 用单色打印彩色文档
 - 调整色调
 - 指定色彩修正
 - 图像数据最佳化照片打印
 - 使用打印机驱动程序调整色彩
 - 使用 ICC 配置文件进行打印(从应用程序软件中指定 ICC 配置文件)
 - 使用 ICC 配置文件进行打印(从打印机驱动程序中指定 ICC 配置文件)
 - 解析 ICC 配置文件
 - 调节亮度
 - 调节对比度

- 比例打印

- 打印超大尺寸纸张

- 设置纸张尺寸(用户定义尺寸)

- 打印范围

- 根据情况执行无边距打印
 - 根据卷纸宽度执行无边距打印
 - 执行无边距全尺寸打印

- 更改无色涂膜设置

- 打印条幅和横幅(大幅面打印)

- 通过分割/组合文档进行打印

- 排列并打印多个文档
- 连接多页打印
- 在一个页面上打印多页
- 居中打印文档
- 节省卷纸进行打印
 - 通过将文档旋转 90 度节省卷纸
 - 通过去除文档上下页边距节省卷纸
- 转换符合用途的纸张来源
- 打印后裁切卷纸
- ▶ **从打印机打印**
 - 从 USB 闪存打印
 - 打印保存在 USB 闪存上的数据
 - 使用操作面板设置打印项目
- ▶ **从智能手机/平板电脑打印**
 - 通过无线 LAN 将智能手机/平板电脑直接连接到打印机(直接连接)

从计算机打印(Windows)

- ▶ 使用简易设置进行打印▼基本
- ▶ 设置打印份数和打印顺序
- ▶ 通过卷纸单元使用双卷纸
- ▶ 打印照片和业务文档
- ▶ 更改打印质量及修正图像数据
- ▶ 比例打印
- ▶ 打印超大尺寸纸张
- ▶ 设置纸张尺寸(用户定义尺寸)
- ▶ 根据情况执行无边距打印
- ▶ 更改无色涂膜设置
- ▶ 打印条幅和横幅(大幅面打印)
- ▶ 通过分割/组合文档进行打印
- ▶ 居中打印文档
- ▶ 节省卷纸进行打印
- ▶ 转换符合用途的纸张来源
- ▶ 打印前显示打印效果
- ▶ 其他便捷设置

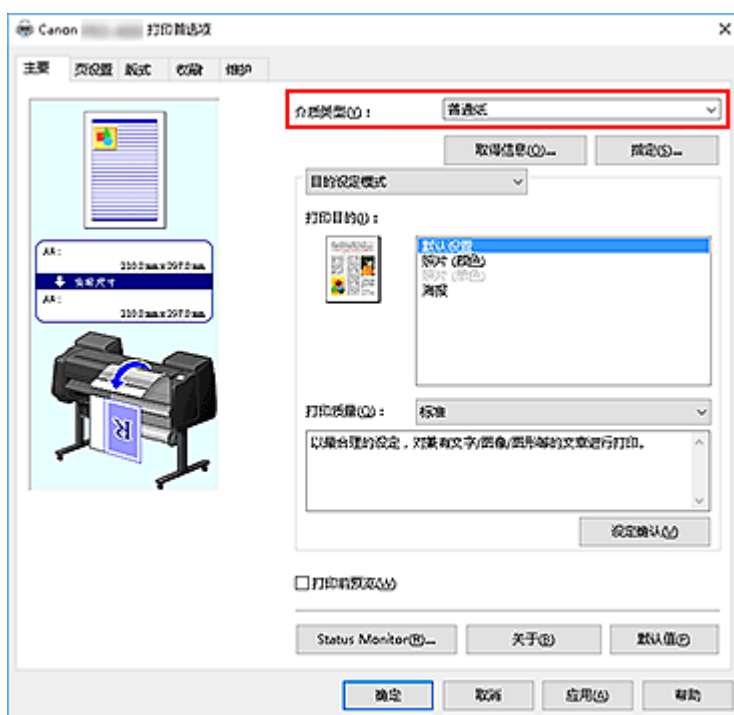
使用简易设置进行打印

本节描述简单的设置步骤，以便可以在打印机上执行适当的打印。

使用简易设置进行打印

1. [确认打印机是否已开启](#)
2. 在打印机中装入纸张
将[卷纸](#)或[单页纸](#)放置到打印机。
3. 打开[打印机驱动程序设置窗口](#)
4. 选择介质类型

从主要选项卡的介质类型列表中选择装入打印机的纸张类型。



重要事项

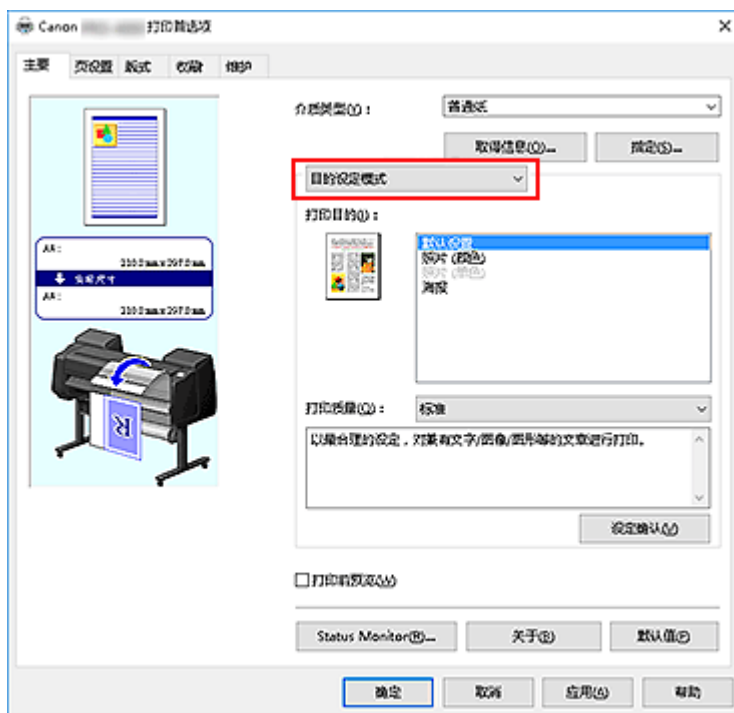
- 有关 Canon 原装纸张或 Canon 已确认可以进给的纸张，请参见“纸张信息列表”。

注释

- 单击“取得信息...”以显示打印机的纸张信息对话框。使用打印机的纸张信息对话框可以从打印机取得纸张信息，并在打印机驱动程序上设置纸张来源和介质类型。
- 有关从打印机的操作面板更改介质类型的说明，请参见“[变更介质类型](#)”。

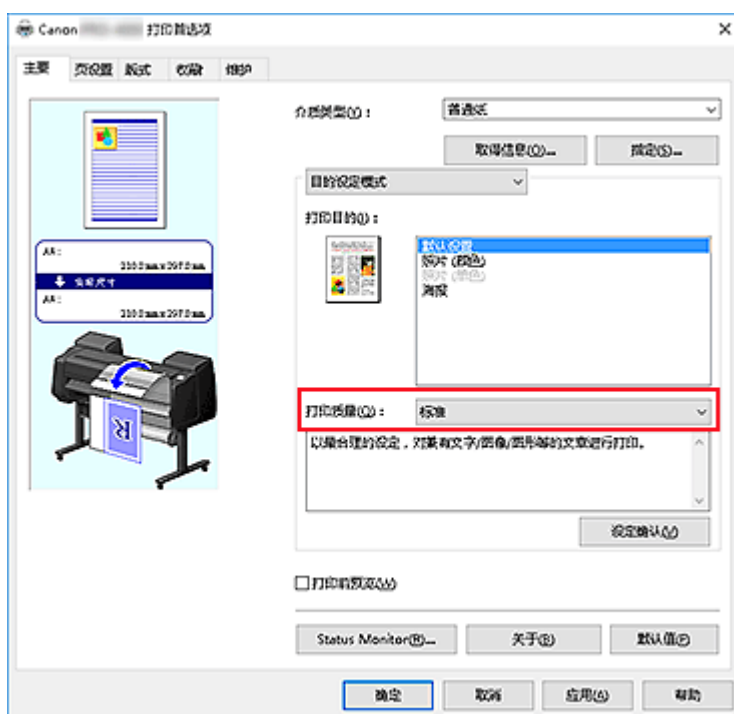
5. 选择打印目的

从下拉菜单中选择目的设定模式，然后从打印目的列表中选择符合使用目的的设置。



6. 选择打印质量

对于打印质量，根据您的目的，请选择最高、高或标准。

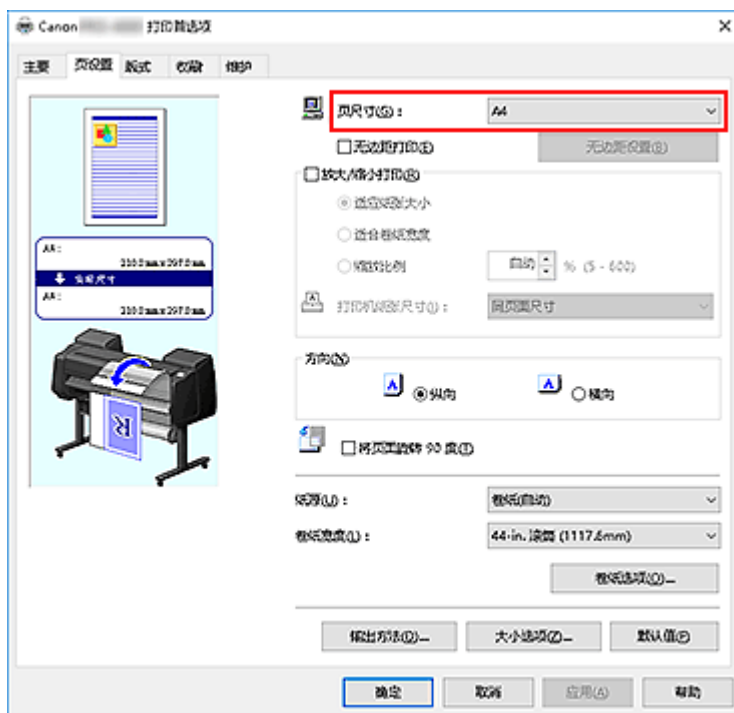


重要事项

- 根据打印配置文件，可选的打印质量设置可能会不同。

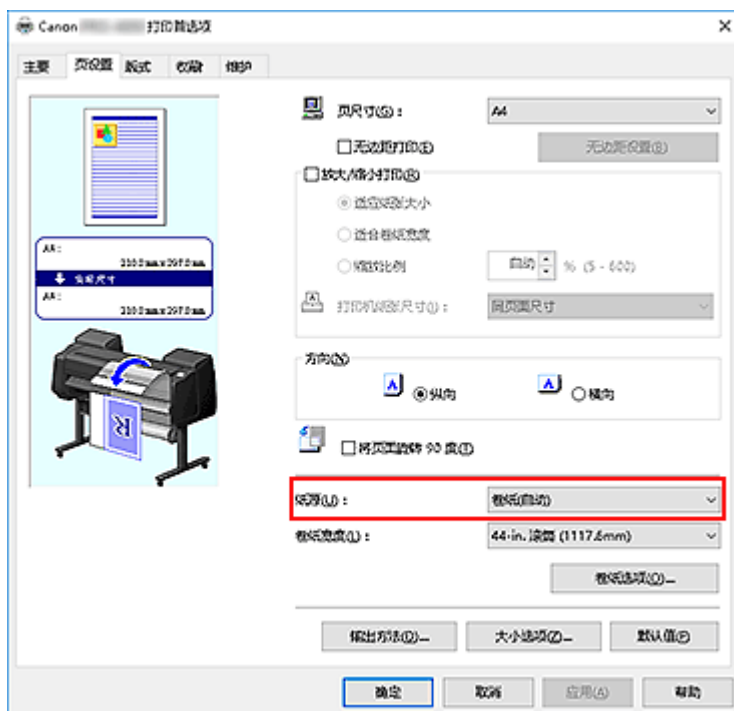
7. 选择纸张尺寸

从页设置选项卡的页尺寸列表中，选择与使用应用程序软件创建的文档相同的尺寸。



8. 选择纸张来源

对于纸源，选择符合使用目的的设置。

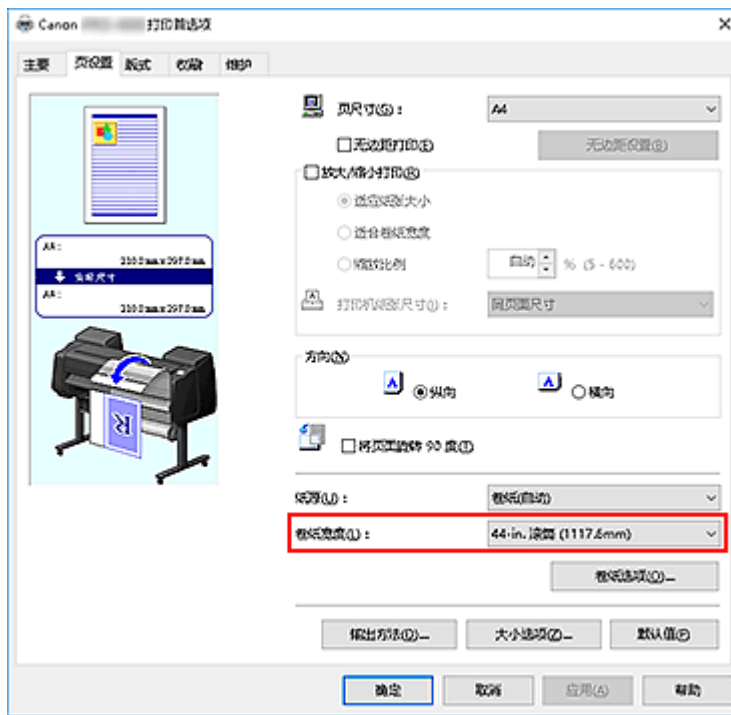


重要事项

- 根据纸张或下行卷纸(卷纸 2)设置或卷纸单元选项设置，进纸方法会有所不同。

9. 选择卷纸宽度

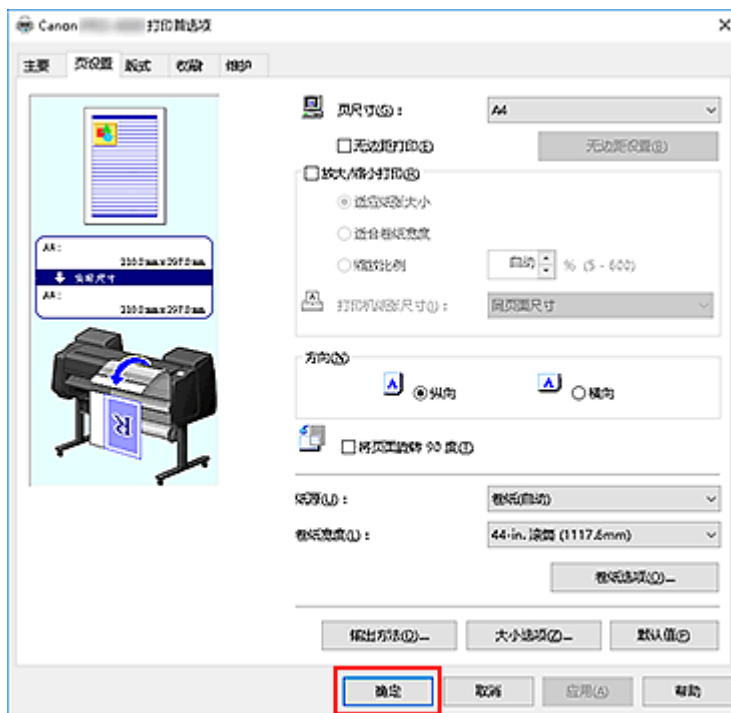
如果将纸源选择为卷纸，请将卷纸宽度设置为装入打印机的卷纸宽度。



10. 完成设置

单击**确定**。

执行打印时，将以合乎用途的设置打印文档。



注

- 如果打印机驱动程序中的纸张设置与打印机上注册的纸张信息不同，打印机的操作面板上可能会出现错误信息。可以执行打印，但可能无法获得正确的打印结果。

检查打印机设置并将设置应用到打印机驱动程序

1. 打开打印机驱动程序设置窗口
2. 单击**主要**选项卡上的“**取得信息...**”
将出现**打印机的纸张信息**对话框。
3. 选择纸张来源
从**纸源**中检查设置或选择新纸张来源。
当前打印机设置会显示在**介质类型**和**卷纸宽度**中。
4. 应用设置
要将打印机设置应用到打印机驱动程序，请单击**确定**。

»» 注释

- 如果未在打印机上设置介质类型和输出纸张尺寸，则**确定**将显示为灰色且无法单击。
- 如果已禁用与打印机的通讯，则不会显示“**取得信息...**”或无法从打印机获取打印机介质信息。
- 如果打印机驱动程序中的纸张信息并非最新信息，将出现一条信息，并无法显示**打印机的纸张信息**对话框。
更新打印机驱动程序中的纸张信息。

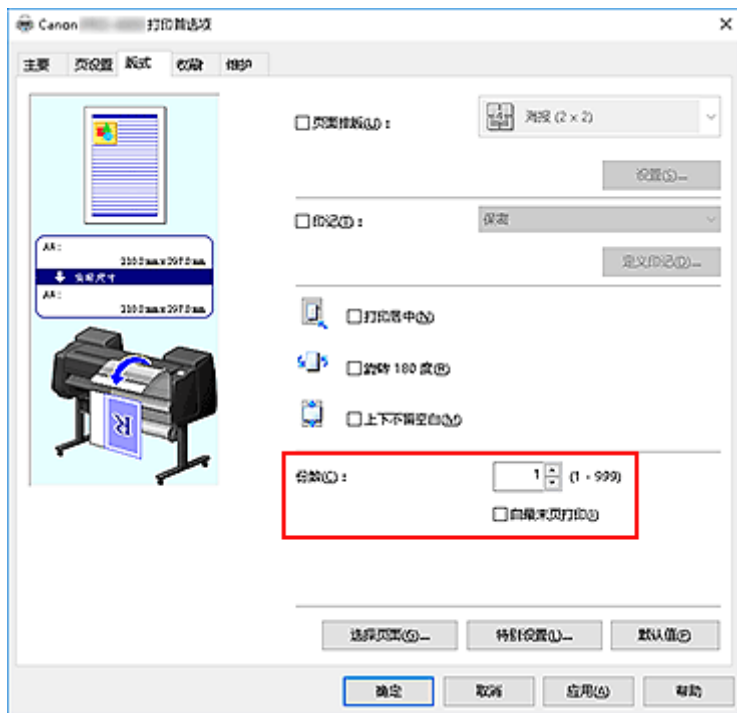
设置打印份数和打印顺序

指定打印份数和打印顺序的步骤如下：

1. 打开[打印机驱动程序设置窗口](#)

2. 指定要打印的份数

在**版式**选项卡的**份数**上，请指定要打印的份数。



3. 指定打印顺序

当要按顺序从最末页打印时，请选中**自最末页打印**复选框，但当从首页打印时取消选中该复选框。

4. 完成设置

单击**确定**。

当执行打印时，将按照指定的打印顺序打印指定的份数。

重要事项

- 当创建文档的应用程序软件具有相同的功能时，请指定打印机驱动程序¹的设置。然而，如果打印结果不能令人满意，请指定应用程序软件上的功能设置。当同时使用应用程序软件和本打印机驱动程序指定打印份数和打印顺序时，打印份数可能是两个设置的倍数或者指定的打印顺序可能不起作用。

通过卷纸单元使用双卷纸

- ▶ [关于双卷纸切换](#)
- ▶ [根据用途设置打印机中的卷纸](#)
- ▶ [通过自动切换上行和下行卷纸进行打印](#)
- ▶ [如何切换卷纸](#)
- ▶ [将卷纸单元设置反映至打印机驱动程序](#)

关于双卷纸切换

在本打印机上可在上行卷纸(卷纸 1)和下行卷纸(卷纸 2)中装入卷纸，并且根据打印作业在卷纸 1 和卷纸 2 之间自动切换。

这种通过在卷纸 1 和卷纸 2 之间的自动切换进行的打印被称为“双卷纸切换”。

- 有关设置纸张的说明，请参见“[根据用途设置打印机中的卷纸](#)”。
- 有关双卷纸切换的步骤，请参见“[通过自动切换上行和下行卷纸进行打印](#)”。
- 有关如何根据特定情况在卷纸 1 和卷纸 2 之间进行切换的指南，请参阅“[如何切换卷纸](#)”。
如果无法按预期或需要打印文档，请参阅本节。

根据用途设置打印机中的卷纸

如果要切换双卷纸，请根据用途使用下述的方法之一设置打印机的上行和下行卷纸。

- 自动从卷纸 1 切换到卷纸 2 以符合为打印作业指定的纸张尺寸时在上下托盘中放置纸张类型相同但宽度不同的卷纸。

如何放置纸张的示例

进纸托盘	卷纸宽度	介质类型
上行	36-in. 卷纸 (914.4 毫米)	普通纸
下行	A1/A2 卷纸 (594.0 毫米)	普通纸

- 自动从卷纸 1 切换到卷纸 2 以符合为打印作业指定的纸张类型时在上下托盘中放置宽度相同但纸张类型不同的卷纸。
或者，在上下托盘中放置宽度不同且纸张类型不同的卷纸。

放置纸张(示例 1)

进纸托盘	卷纸宽度	介质类型
上行	A1/A2 卷纸 (594.0 毫米)	普通纸
下行	A1/A2 卷纸 (594.0 毫米)	Canon 覆膜纸

放置纸张(示例 2)

进纸托盘	卷纸宽度	介质类型
上行	36-in. 卷纸 (914.4 毫米)	普通纸
下行	A1/A2 卷纸 (594.0 毫米)	Canon 覆膜纸

重要事项

- 如果送到压纸滚筒的卷纸不支持自动裁切，则无法进行双卷纸切换。有关查看支持自动裁切的纸张类型的信息，请在“纸张信息列表”中查找要使用的纸张。

注释

- 有关如何将卷纸放入打印机的信息，请参见“[卷纸的使用方法](#)”
- 上下托盘中放置的卷纸纸张类型不同且宽度不同时，将使用符合为打印作业指定的纸张类型的卷纸。根据设置的不同，可能会出现错误，导致使用错误的卷纸；在这种情况下，不建议使用双卷纸切换，在卷纸 1 和卷纸 2 之间指定最佳选择并打印。



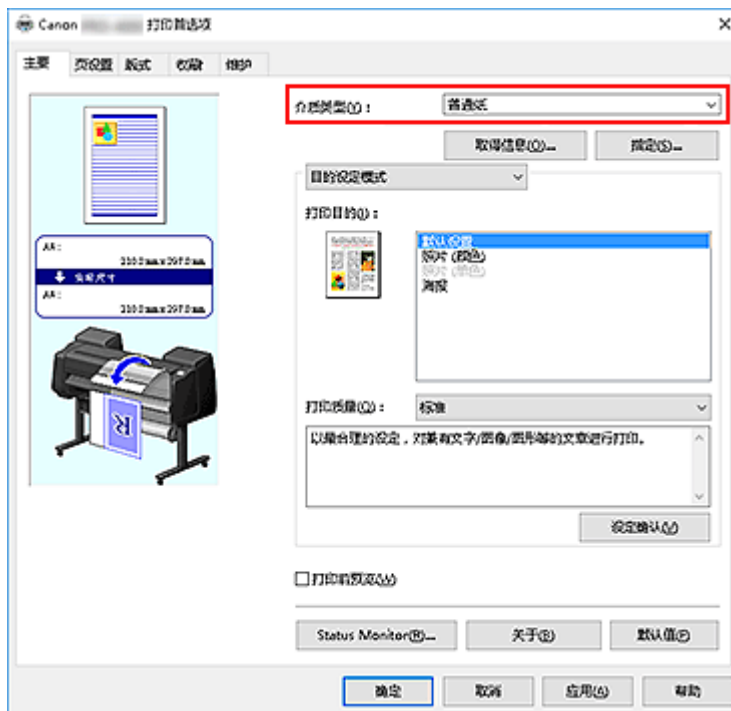
通过自动切换上行和下行卷纸进行打印

根据介质类型或用途，可以通过自动切换卷纸 1 和卷纸 2 进行打印。

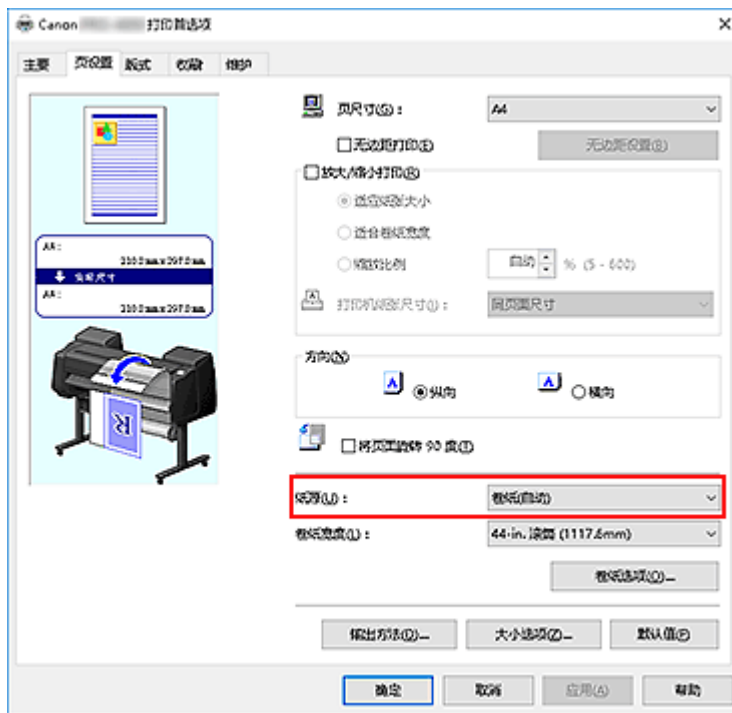
通过切换卷纸进行打印的步骤如下：

1. 在打印机的上部和下部**装入卷纸**
2. 打开**打印机驱动程序设置窗口**
3. 选择介质类型

从**主要选项卡**的**介质类型**列表中选择装入打印机的纸张类型。



4. 选择纸张尺寸
从**页设置**选项卡的**页尺寸**列表中，选择与使用应用程序软件创建的文档相同的尺寸。
5. 在**纸源**中，选择**卷纸(自动)**



6. 选择卷纸宽度

在**卷纸宽度**中，选择装入打印机的卷纸宽度。

7. 选择卷纸的打印方法

根据卷纸宽度执行放大/缩小打印时，请在**放大/缩小打印**旁添加选中标记，然后选择**适合卷纸宽度**。

8. 设置其他项目

要将文档旋转 90 度后打印，请选中**将页面旋转 90 度**复选框。

当前设置显示在**页设置**选项卡左侧的设置预览中。

注 释

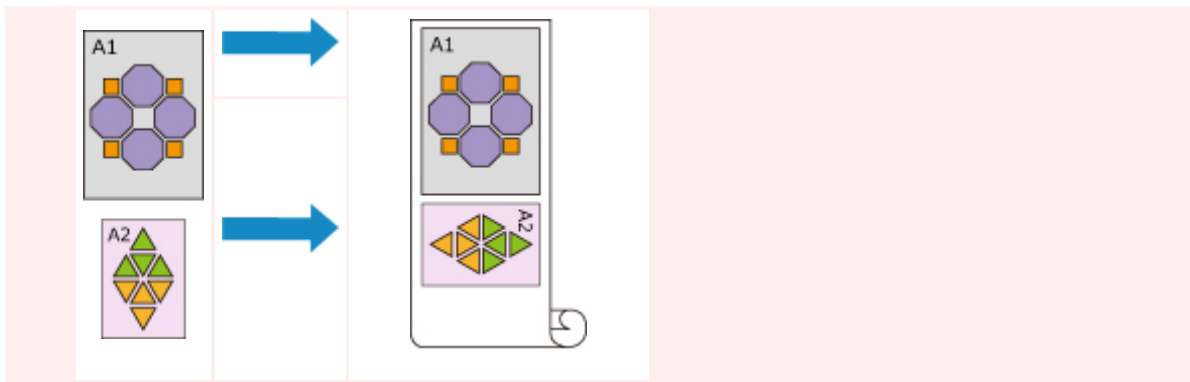
- 如果将纵向文档旋转 90 度后横向打印，根据纸张尺寸可以节省纸张。

重要事项

- 选中**将页面旋转 90 度**复选框并打印文档时，只有在文档的纵向长度符合在**卷纸宽度**中设置的宽度时，才会将文档旋转 90 度。
因此，要使用此功能，请将**卷纸宽度**正确设置为装入打印机的其中一种卷纸的宽度。

文档

卷纸宽度：
ISO A1/A2 Roll (594.0 mm)



- 如果装入上行和下行的卷纸介质类型不同，将在符合打印作业所指定的介质类型的卷纸上打印文档。
如果将文档旋转 90 度进行打印，且装入上行和下行的卷纸宽度和介质类型均不同，请设置正确的宽度和介质类型组合，以适合装入打印机的其中一种卷纸。

9. 完成设置

单击**确定**。

打印时，纸张来源会自动切换为卷纸。

重要事项

- 在操作面板上，如果将**设备设置** -> **纸张相关设置** -> **卷纸自动转换**设置为**不识别尺寸**，可能会在错误的卷纸上打印文档。Canon 建议在打印前将此项设置为**识别尺寸**。
- 如果送到压纸滚筒的卷纸不支持自动裁切，则无法进行双卷纸切换。有关查看支持自动裁切的纸张类型的信息，请在“纸张信息列表”中查找要使用的纸张。

注释

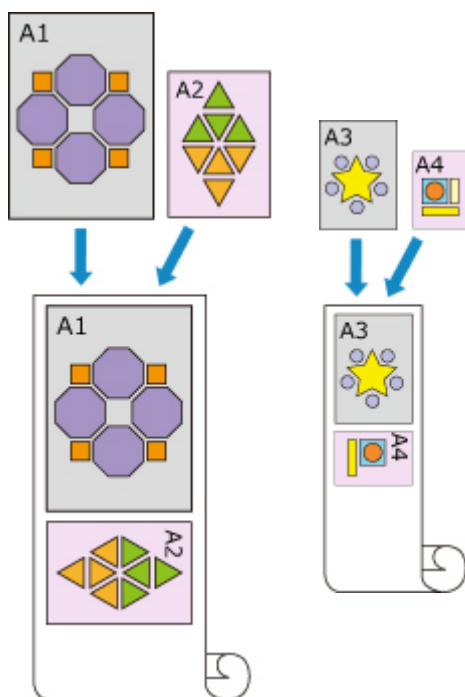
- 有关如何根据打印作业切换纸张来源的详细资料，请参见“[如何切换卷纸](#)”。

节省纸张打印

根据打印作业中指定的纸张尺寸，打印机将自动识别产生较小边距的卷纸。

无论页面是否旋转 90 度，打印机都将使用在卷纸 1 和卷纸 2 组合中生成最小纸张边距的条件进行打印。

文档



卷纸 1: ISO A1/A2 卷纸 2: ISO A3/A4

1. 根据以下说明进行选择：

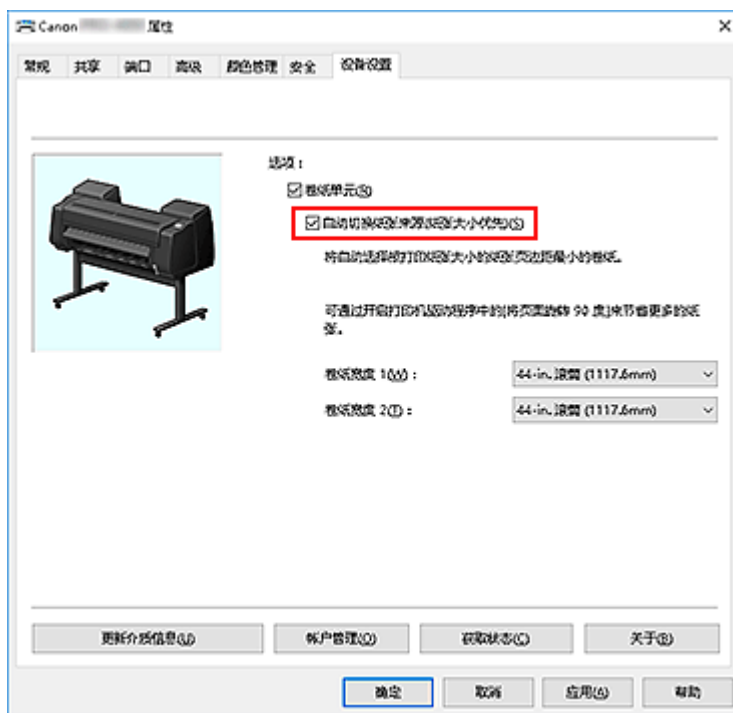
- 如果正在使用 Windows 10，右键单击**开始菜单**，然后选择**控制面板** -> **硬件和声音** -> **设备和打印机**。
显示**设备和打印机**窗口。
- 如果正在使用 Windows 8.1、Windows 8、Windows Server 2012 R2 或 Windows Server 2012，从桌面的超级按钮中选择**设置** -> **控制面板** -> **硬件和声音(硬件)** -> **设备和打印机**。
显示**设备和打印机**窗口。
- 如果正在使用 Windows 7 或 Windows Server 2008 R2，选择**开始菜单** -> **控制面板** -> **硬件和声音(硬件)** -> **设备和打印机**。
显示**设备和打印机**窗口。
- 如果正在使用 Windows Vista 或 Windows Server 2008，选择**开始菜单** -> **控制面板** -> **硬件和声音** -> **打印机**。
显示**打印机**窗口。

2. 显示设置窗口

右键单击“型号名称”图标，并选择**打印机属性**(在 Windows 10、Windows 8.1、Windows 8 或 Windows 7 环境下)或**属性**(在 Windows Vista 环境下)。
将出现打印机的**属性**窗口。

3. 设置自动切换纸张来源

在**设备设置**选项卡上，选中**自动切换纸张来源(纸张大小优先)**复选框。



4. 单击**获取状态**

出现确认信息时，单击**是**。

计算机将从打印机获取纸张尺寸信息，并显示实际装入打印机的卷纸宽度。

重要事项

- 更换装入打印机的卷纸后，请务必单击**获取状态**以获取卷纸宽度信息。如果未正确设置卷纸宽度，可能无法按预期打印文档。

5. 打开打印机驱动程序设置窗口

6. 选择介质类型

从**主要选项卡**的**介质类型**列表中选择装入打印机的纸张类型。

7. 选择纸张尺寸

从**页设置选项卡**的**页尺寸**列表中，选择与使用应用程序软件创建的文档相同的尺寸。

8. 在**纸源**中，选择**卷纸(自动)**

9. 选择卷纸宽度

在**卷纸宽度**中，选择装入打印机的卷纸宽度。

10. 设置其他项目

要将文档旋转 90 度后打印，请选中**将页面旋转 90 度**复选框。

11. 完成设置

单击**确定**。

打印时，纸张来源会自动切换为卷纸。

重要事项

- 此方法根据打印作业中指定的纸张尺寸切换上行和下行卷纸。始终在打印机的上行和下行中装入介质类型相同的卷纸。
如果装入的纸张类型不同，可能会出现错误并且无法按预期打印文档。
- 如果在上行和下行中装入宽度和类型相同的卷纸，并选中**自动切换纸张来源(纸张大小优先)**选项卡上的**设备设置**复选框，将始终使用卷纸 1(上行卷纸)进行打印。如果在上行和下行中装入宽度和类型相同的卷纸，并且要自动切换卷纸，请清除**自动切换纸张来源(纸张大小优先)**复选框。

注释

- 如果**卷纸 1**和**卷纸 2**产生的边距相同，将使用**卷纸 1**进行打印。

如何切换卷纸

我们将在此说明在特定情况下如何切换卷纸 1 和卷纸 2。必要时，例如出现文档打印未达到预期效果等情况，请参阅此信息。

如果在**页设置**选项卡的**纸源**下选择**卷纸(自动)**，将在装入打印机上下托盘的两种卷纸中自动选择最适合打印作业的卷纸。

使用卷纸 1 还是卷纸 2 会通过下表中的 7 个条件按顺序进行判断决定。

在这种情况下，打印机操作面板中的**设备设置** -> **纸张相关设置** -> **检测纸张设置不匹配**将根据下述过程更改判断结果。

- 如果**检测纸张设置不匹配**设置为**暂停或保留作业**
- 如果**检测纸张设置不匹配**设置为**显示警告或不检测**

重要事项

- 如果未安装下行卷纸，或如果已安装设置为收纸器的卷纸单元，则无法自动切换卷纸。

注释

- 如果显示错误或保留，请更换纸张以符合打印作业的要求。
- 为最大程度地减少纸张浪费，建议按如下所示设置打印机的操作面板。
 - 在**设备设置** -> **纸张相关设置**中，将**卷纸自动转换**设置为**识别尺寸**
 - 在**纸张设置显示区域** -> (各纸张类型) -> **纸张设置** -> **高级设置**中，将**检测纸张宽度**设置为**启用**
- 如果**设备设置**选项卡上的**自动切换纸张来源(纸张大小优先)**旁出现选中标记，请勿按照下表操作。

如果检测纸张设置不匹配设置为暂停或保留作业

条件		状况	判断结果
条件 1	装入打印机的卷纸长度是否足够用于打印为打印作业指定的纸张尺寸。	卷纸 1 和卷纸 2 中只有一种长度足够	选择长度足够的卷纸
		卷纸 1 和卷纸 2 的长度均不够	错误
		卷纸 1 和卷纸 2 的长度均足够	转至条件 2
		在打印机菜单中， 管理剩余卷纸量 设置为 禁用 (卷纸长度无法确定)	
条件 2	装入打印机的卷纸是否符合为打印作业指定的纸张类型。	卷纸 1 和卷纸 2 中只有一种符合该纸张类型	选择符合纸张类型的卷纸
		卷纸 1 和卷纸 2 均不符合纸张类型	错误/保留
		卷纸 1 和卷纸 2 均符合纸张类型	转至条件 3
条件 3	在打印机菜单中， 卷纸自动转换 设置更改情况如何？	已更改为 不识别尺寸	选择当前正送到压纸滚筒的卷纸*1
		已更改为 识别尺寸	转至条件 4

条件 4	如果已指示该打印作业为无边距打印(如果未指示, 转至条件 5)	卷纸 1 和卷纸 2 中只有一种支持无边距打印	选择支持无边距打印的卷纸
		卷纸 1 和卷纸 2 均不支持无边距打印	错误
		卷纸 1 和卷纸 2 均支持无边距打印	转至条件 5
条件 5	装入打印机的卷纸宽度是否符合为打印作业指定的纸张宽度(仅执行无边距打印或放大/缩小打印时)	卷纸 1 和卷纸 2 中只有一种具有为打印作业指定的宽度	选择符合宽度的卷纸
		卷纸 1 和卷纸 2 的宽度均不符合为打印作业指定的宽度	错误/保留
		卷纸 1 和卷纸 2 的宽度均符合为打印作业指定的宽度	转至条件 6
		打印作业尚未指定卷纸宽度	
条件 6	为打印作业指定的纸张尺寸宽度是否不超出装入打印机的卷纸宽度。	为打印作业指定的纸张尺寸宽度仅不超过卷纸 1 或卷纸 2 其中一种的宽度	选择不超过纸张尺寸宽度的卷纸
		为打印作业指定的纸张尺寸宽度超出卷纸 1 和卷纸 2 的宽度	错误
		为打印作业指定的纸张尺寸宽度不超出卷纸 1 和卷纸 2 的宽度	转至条件 7
条件 7	卷纸 1 的宽度是否与卷纸 2 的宽度不同?	卷纸宽度不同	选择宽度更接近为打印作业指定的宽度的卷纸
		卷纸宽度相同	选择当前正送到压纸滚筒的卷纸*1

*1 在以下情况下, 卷纸 1 和卷纸 2 均不会送到压纸滚筒。在这些情况下, 将选择卷纸 1。

- 打印机已切换为睡眠模式并返回初始位置时
- 打印机已开启时
- 单页纸已送入打印机并退纸时

如果检测纸张设置不匹配设置为显示警告或不检测

条件		状况	判断结果
条件 1	装入打印机的卷纸长度是否足够用于打印为打印作业指定的纸张尺寸。	卷纸 1 和卷纸 2 中只有一种长度足够	选择长度足够的卷纸
		卷纸 1 和卷纸 2 的长度均不够	错误
		卷纸 1 和卷纸 2 的长度均足够	转至条件 2

		在打印机菜单中， 管理剩余卷纸量 设置为 禁用 (卷纸长度无法确定)	
条件 2	装入打印机的卷纸是否符合为打印作业指定的纸张类型。	卷纸 1 和卷纸 2 中只有一种符合该纸张类型	选择符合纸张类型的卷纸
		卷纸 1 和卷纸 2 均不符合纸张类型	转至条件 3
		卷纸 1 和卷纸 2 均符合纸张类型	
条件 3	在打印机菜单中， 卷纸自动转换 设置更改情况如何？	已更改为 不识别尺寸	选择当前正送到压纸滚筒的卷纸*1
		已更改为 识别尺寸	转至条件 4
条件 4	如果已指示该打印作业为无边距打印(如果未指示，转至条件 5)	卷纸 1 和卷纸 2 中只有一种支持无边距打印	选择支持无边距打印的卷纸
		卷纸 1 和卷纸 2 均不支持无边距打印	错误
		卷纸 1 和卷纸 2 均支持无边距打印	转至条件 5
条件 5	装入打印机的卷纸宽度是否符合为打印作业指定的纸张宽度(仅执行无边距打印或放大/缩小打印时)	卷纸 1 和卷纸 2 中只有一种具有为打印作业指定的宽度	选择符合宽度的卷纸
		卷纸 1 和卷纸 2 的宽度均不符合为打印作业指定的宽度	转至条件 6
		卷纸 1 和卷纸 2 的宽度均符合为打印作业指定的宽度	
		打印作业尚未指定卷纸宽度	
条件 6	为打印作业指定的纸张尺寸宽度是否不超出装入打印机的卷纸宽度。	为打印作业指定的纸张尺寸宽度仅不超过卷纸 1 或卷纸 2 其中一种的宽度	选择不超过纸张尺寸宽度的卷纸
		为打印作业指定的纸张尺寸宽度超出卷纸 1 和卷纸 2 的宽度	转至条件 7
		为打印作业指定的纸张尺寸宽度不超出卷纸 1 和卷纸 2 的宽度	
条件 7	卷纸 1 的宽度是否与卷纸 2 的宽度不同？	卷纸宽度不同	选择宽度更接近为打印作业指定的宽度的卷纸
		卷纸宽度相同	选择当前正送到压纸滚筒的卷纸*1

*1 在以下情况下，卷纸 1 和卷纸 2 均不会送到压纸滚筒。在这些情况下，将选择卷纸 1。

- 打印机已切换为睡眠模式并返回初始位置时
- 打印机已开启时
- 单页纸已送入打印机并退纸时

将卷纸单元设置反映至打印机驱动程序

将打印机卷纸单元设置反映至打印机驱动程序。

如果打印机设置已反映至打印机驱动程序，可以在打印机驱动程序设置中设置的纸张将更改为适合打印机状态的状态。

以下内容介绍将卷纸单元设置反映至打印机驱动程序的步骤。

1. 根据以下说明进行选择：

- 如果正在使用 Windows 10，右键单击**开始菜单**，然后选择**控制面板 -> 硬件和声音 -> 设备和打印机**。
显示**设备和打印机**窗口。
- 如果正在使用 Windows 8.1、Windows 8、Windows Server 2012 R2 或 Windows Server 2012，从桌面的超级按钮中选择**设置 -> 控制面板 -> 硬件和声音(硬件) -> 设备和打印机**。
显示**设备和打印机**窗口。
- 如果正在使用 Windows 7 或 Windows Server 2008 R2，选择**开始菜单 -> 控制面板 -> 硬件和声音(硬件) -> 设备和打印机**。
显示**设备和打印机**窗口。
- 如果正在使用 Windows Vista 或 Windows Server 2008，选择**开始菜单 -> 控制面板 -> 硬件和声音 -> 打印机**。
显示**打印机**窗口。

2. 显示设置窗口

右键单击“型号名称”图标，并选择**打印机属性**(在 Windows 10、Windows 8.1、Windows 8 或 Windows 7 环境下)或**属性**(在 Windows Vista 环境下)。
将出现打印机的**属性**窗口。

3. 单击**设备设置**选项卡的**获取状态**

显示该对话框后，单击**是**。
打印机设置将反映至打印机驱动程序。

重要事项

- 如果未安装下行卷纸单元或卷纸单元正被用作卷收设备，则将取消选中**卷纸单元**。如果取消选中**卷纸单元**，**自动切换纸张来源(纸张大小优先)**将显示为灰色且无法选择。此外，可以在**页设置**选项卡中选择的**纸源**项目将更改。

打印照片和业务文档

- ▶ [通过设置打印用途进行打印](#)
- ▶ [在 PosterArtist 中编辑并打印](#)

通过设置打印用途进行打印

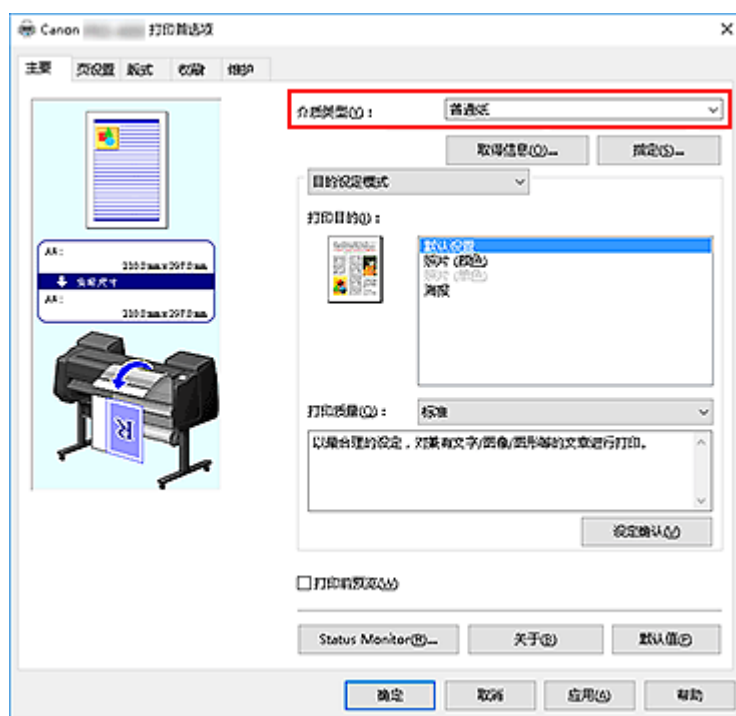
一般常用的打印设置已预先注册为打印用途。通过使用打印用途进行打印，可以使用适合文档的设置进行打印。

使用打印用途进行打印的步骤如下：

1. 打开[打印机驱动程序设置窗口](#)

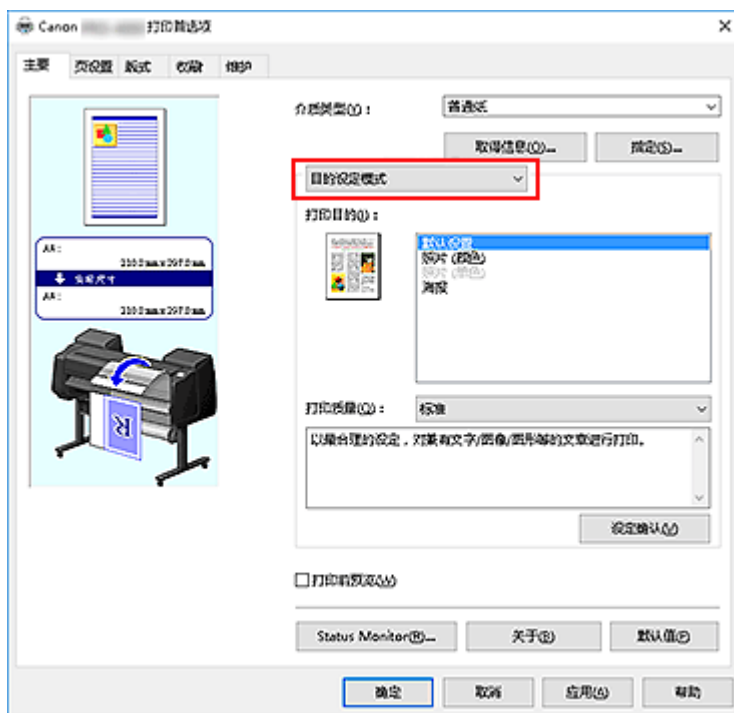
2. 选择介质类型

从主要选项卡的**介质类型**列表中选择装入打印机的纸张类型。



3. 选择打印设置模式

从下拉菜单中选择**目的设定模式**。



4. 选择打印用途

在打印目的中选择适合文档的设置。

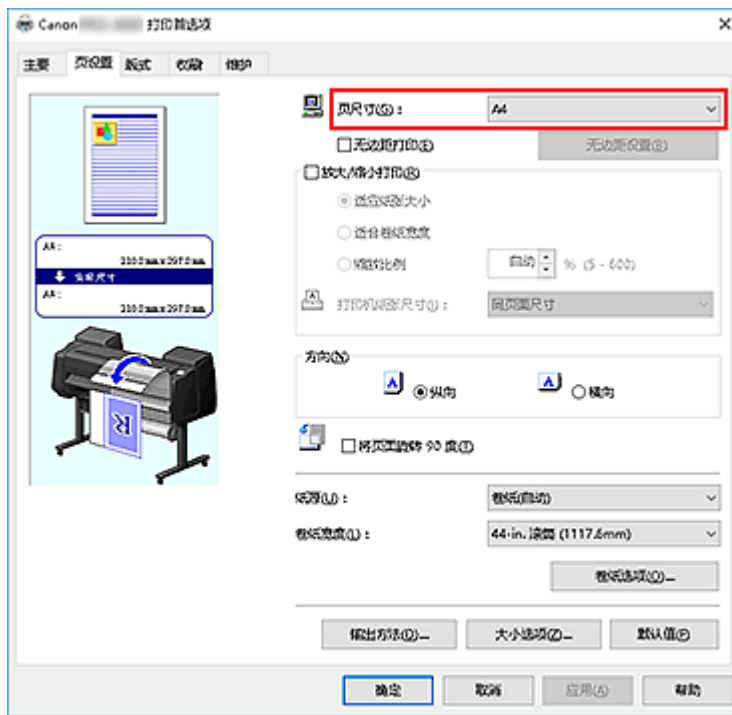
- **默认设置**
选择此设置可以打印业务文档等一般文档。
- **照片 (颜色)**
选择此设置可以打印彩色插图或照片。
- **照片 (单色)**
选择此设置可以打印单色插图或照片。
- **海报**
选择此设置可以打印海报。

▶▶▶ 注释

- 要查看通过打印目的设置的项目设置，请单击**设定确认**。

5. 选择纸张尺寸

从**页设置**选项卡的**页尺寸**列表中，选择与使用应用程序软件创建的文档相同的尺寸。当前设置显示在窗口左侧的设置预览中。



6. 选择纸张来源

对于纸源，选择符合使用目的的设置。

重要事项

- 根据纸张或下行卷纸(卷纸 2)设置或卷纸单元选项设置，进纸方法会有所不同。

7. 设置其他项目

根据需要设置其他项目。

8. 完成设置

单击**确定**。

打印时，将按照指定的打印用途打印文档。

在 PosterArtist 中编辑并打印

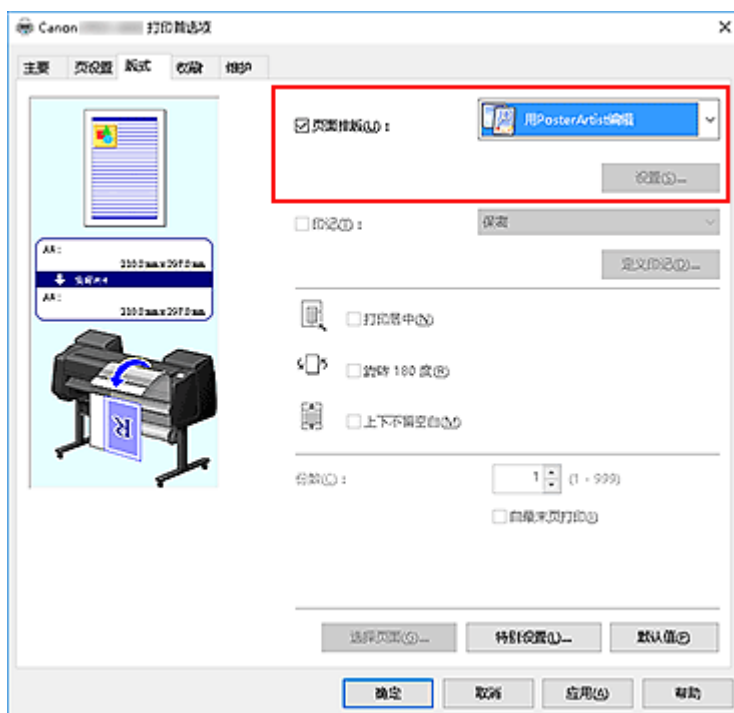
可以从 PosterArtist Lite 编辑文字处理软件文档、电子表格软件文档和 Web 浏览器屏幕等并进行打印。

以下内容介绍在 PosterArtist Lite 中编辑通过多个应用程序软件创建的原件并以海报布局打印的步骤。

1. 打开[打印机驱动程序设置屏幕](#)

2. 选择在 PosterArtist 中编辑

选中**版式**选项卡中的**页面布局**，然后从下拉菜单中选择用 **PosterArtist 编辑**。



注 释

- 根据使用环境的不同，用 **PosterArtist 编辑**可能不可用。

3. 启动 PosterArtist Lite

单击**确定**。

执行打印时，PosterArtist Lite 启动，并且 PageCapture 窗口打开。

4. 在 PosterArtist Lite 中选择要获取的页面

5. 在 PosterArtist Lite 中编辑页面

在 PosterArtist Lite 中进行图像编辑和排序。

在不关闭 PosterArtist Lite 窗口的情况下，通过重复步骤 1 到 4，可以在一个页面上排列通过多个应用程序软件创建的文档。

编辑完成后，请从 PosterArtist Lite 菜单打印。

注釋

- 有关如何进行图像编辑和排列的说明，请参阅 PosterArtist Lite 手册。

更改打印质量及修正图像数据

- ▶ 调整色彩平衡
- ▶ 设置打印质量级别(用户定义)
- ▶ 用单色打印彩色文档
- ▶ 调整色调
- ▶ 指定色彩修正
- ▶ 调节亮度
- ▶ 调节对比度
- ▶ 使用详细设置模式打印

调整色彩平衡

您可以在打印时调整色彩色调。

由于该功能通过更改每种色彩的墨水比率来调整输出的色彩平衡，因此它可以更改文档的整体色彩平衡。当您想有效地更改色彩平衡时，请使用应用程序软件。仅当要细微调整色彩平衡时，使用打印机驱动程序。以下示例显示使用色彩平衡加深青色及减淡黄色以使整体色彩显得更为均衡的情形。



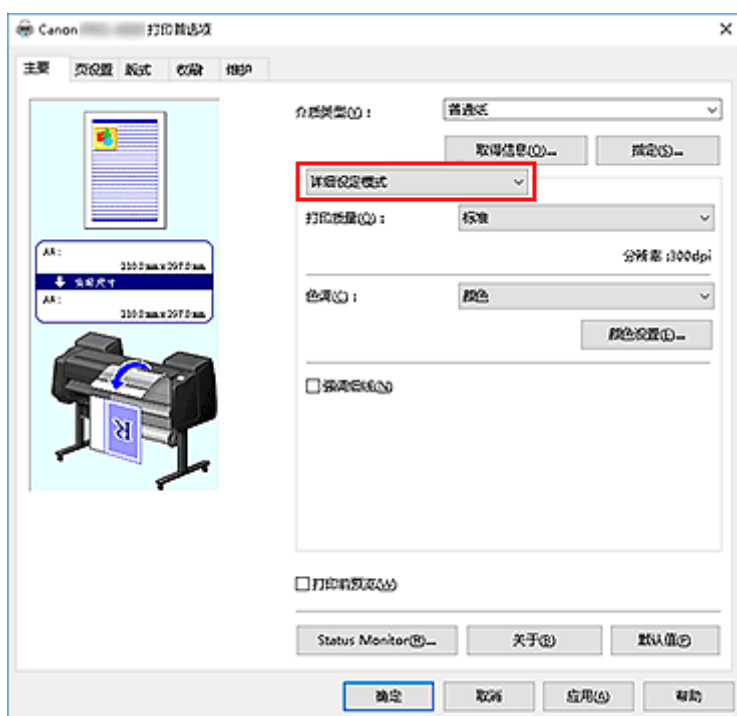
原始图像

调整色彩平衡

调整色彩平衡的步骤如下：

1. 打开[打印机驱动程序设置窗口](#)
2. 选择高级设置

从主要选项卡的下拉菜单中选择**详细设定模式**。



3. 选择色彩模式

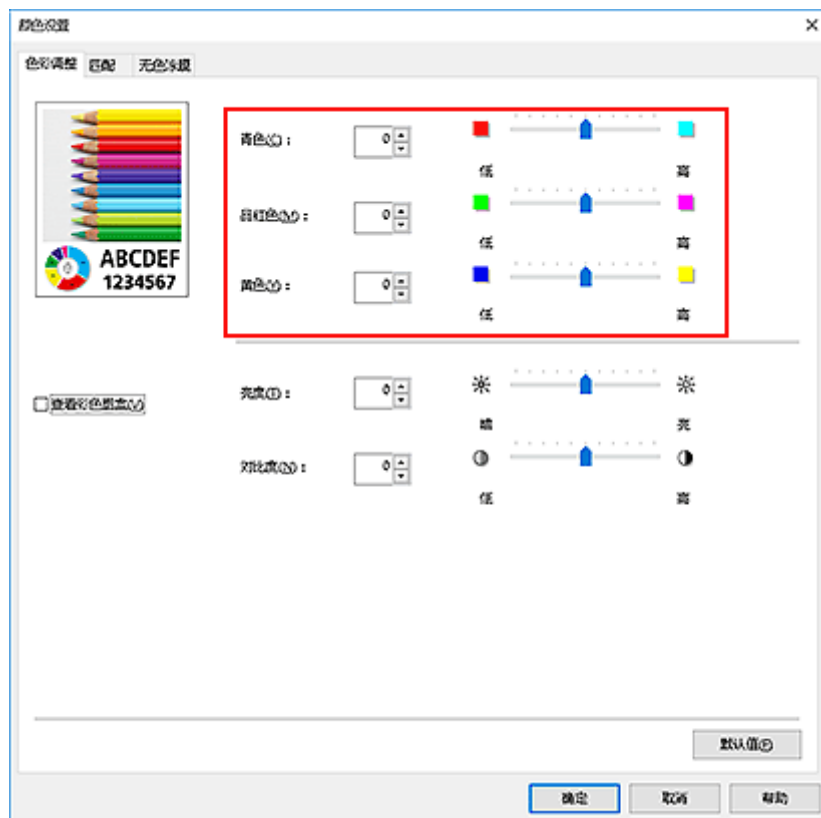
在**色彩模式**中，选择**颜色**，然后单击**颜色设置**。
将出现**颜色设置**对话框。

4. 调整色彩平衡

在**色彩调整**选项卡中，**青色**、**品红色**和**黄色**各有单独的滑块。向右移动滑块时颜色变深，向左移动滑块时颜色变浅。例如，当青色变浅时，红色会变深。

也可以直接输入与滑块关联的数值。输入从-50 到 50 范围内的数值。当前设置显示在打印机驱动程序左侧的设置预览中。

调整各色彩后，单击**确定**。



5. 完成设置

单击**主要**选项卡上的**确定**。

当执行打印时，将以调节后的色彩平衡打印文档。

相关主题

- [设置打印质量级别\(用户定义\)](#)
- [指定色彩修正](#)
- [调节亮度](#)
- [调节对比度](#)

设置打印质量级别(用户定义)

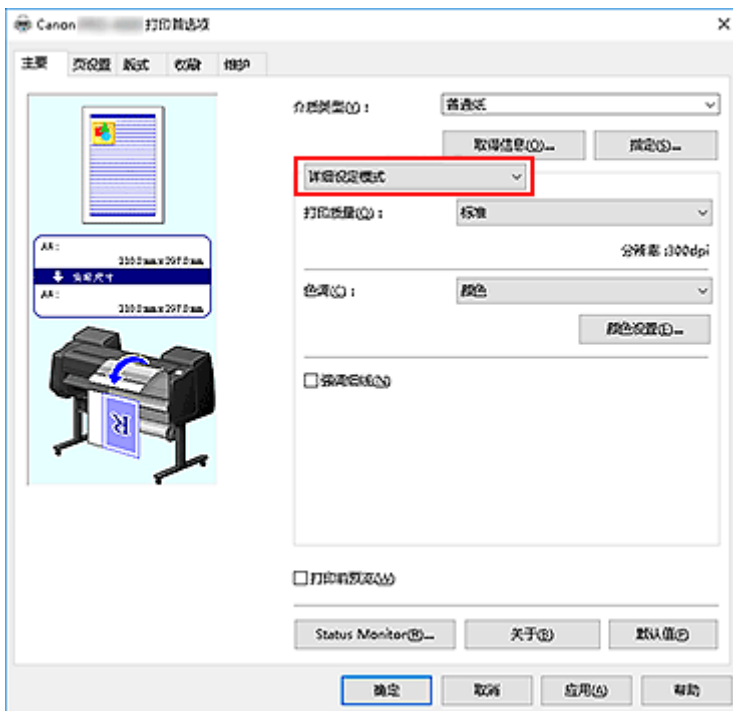
使用打印质量选项卡上的用户定义可以设置详细的打印质量级别。

设置打印质量级别的步骤如下：

1. 打开打印机驱动程序设置窗口

2. 选择详细设定模式

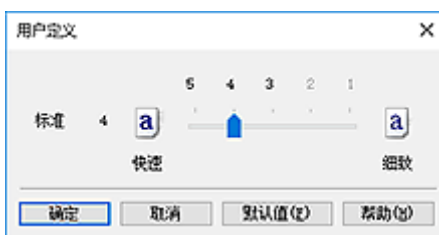
从主要选项卡的下拉菜单中选择详细设定模式。



3. 选择打印质量

对于打印质量，选择用户定义。

用户定义对话框打开。



4. 设置打印质量级别

拖动滑动条以选择打印质量级别并单击确定。

5. 完成设置

单击**主要**选项卡上的**确定**。

当执行打印时，将以选择的打印质量级别打印图像数据。

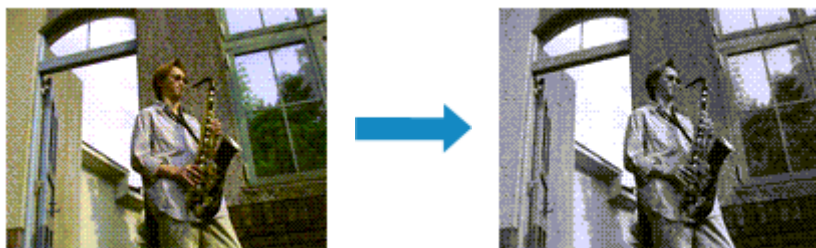
»» 重要事项

- 根据**介质类型**的设置，可能无法选择某些打印质量级别。

相关主题

- [指定色彩修正](#)
- [调整色彩平衡](#)
- [调节亮度](#)
- [调节对比度](#)

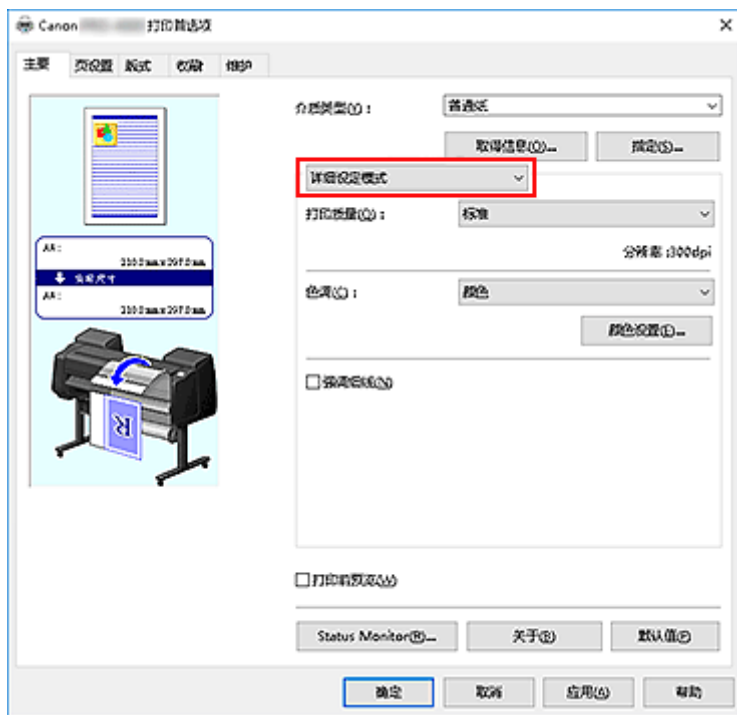
用单色打印彩色文档



用单色打印彩色文档的步骤如下：

1. 打开[打印机驱动程序设置窗口](#)
2. 选择详细设定模式

从主要选项卡的下拉菜单中选择详细设定模式。



3. 选择色彩模式

在色彩模式中选择单色或单色(照片)。

▶▶▶ 注释

- 根据在主要选项卡的介质类型中选择的介质类型，会出现单色或单色(照片)。

4. 完成设置

单击确定。

当执行打印时，文档转换为灰度数据。该功能可以用单色打印彩色文档。

重要事项

- 选中单色或黑白照片打印时，打印机驱动程序将图像数据作为 sRGB 数据处理。在这种情况下，实际打印出的颜色可能会与原稿图像数据中的颜色有差别。
当使用灰度打印功能打印 Adobe RGB 数据时，请使用应用程序软件将数据转换成 sRGB 数据。

注释

- 使用单色或黑白照片打印时，还可能会使用除黑色墨水之外的其他墨水。

相关主题

- [调整色调](#)

调整色调

打印黑白照片时，可以产生冷色的冷色效果和暖色的暖色效果。



选择了冷色调

选择了黑白

选择了暖色调

调整色调的步骤如下：

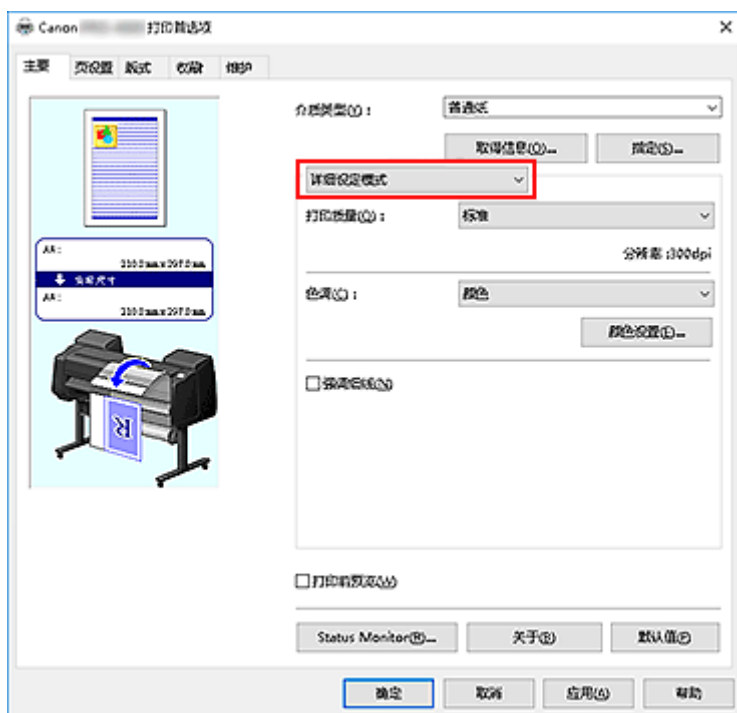
1. 打开[打印机驱动程序设置窗口](#)

2. 从主要选项卡中选择介质类型。

对于可调整黑白色调的纸张，请从“纸张信息列表”选择要使用的纸张并查看信息。

3. 选择详细设定模式

从主要选项卡的下拉菜单中选择详细设定模式。

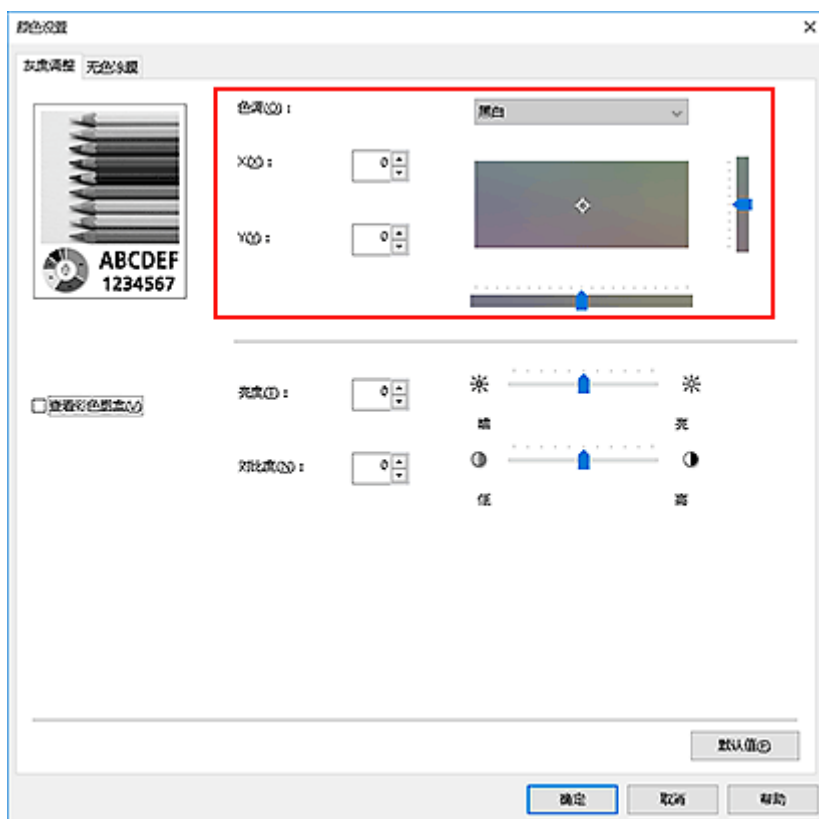


4. 选择色彩模式

在色彩模式中，选择颜色，然后单击颜色设置。
将出现颜色设置对话框。

5. 调整单色色调

从**灰度调整**选项卡上的**色调**下拉菜单中指定以下项目之一。



冷色调

该项目将色调调整为冷色调灰色(冷黑)。当选择该项目时，**X** 的输入值为-30，**Y** 的输入值为 0。

黑白

该项目将色调调整为中性色调灰色。当选择该项目时，**X** 的输入值为 0，**Y** 的输入值为 0。

暖色调

该项目将色调调整为暖色调灰色(暖黑)。当选择该项目时，**X** 的输入值为 30，**Y** 的输入值为 0。

用户定义

可以在查看中央调整区域中的色彩时使用水平和垂直滑块调整色调。

通过左/右或上/下拖动滑块分别调整水平和垂直滑块。

也可以使用鼠标单击或拖动中央调整区域来调整色调。

也可以直接输入连接滑块的数值。输入数值时，**X** 的设置范围为-100 至 100，**Y** 的设置范围为-50 至 50。

»» 注释

- 用户定义在直接输入调整值后会自动显示，因此无法选择。

X、Y(单色调整值)

如有必要，可以手动调整单色色彩。

要调整色调，直接输入数值或单击向上/向下箭头。

也可以使用鼠标单击或拖动调整区域来调整色调。

该数值也连接水平和垂直滑块。

输入数值时，**X** 的设置范围为-100 至 100，**Y** 的设置范围为-50 至 50。

所选数值将显示在左侧的预览中。

调整色调后，单击**确定**。

6. 完成设置

单击**主要选项卡**上的**确定**。

当执行打印时，使用调整的色调将彩色文档转换为灰度数据。该功能可以用单色打印彩色文档。

相关主题

- [用单色打印彩色文档](#)
- [调节亮度](#)
- [调节对比度](#)

指定色彩修正

您可以指定适合要打印的文档类型的色彩修正方法。

通常，当打印数据时，打印机驱动程序会自动调节色彩。

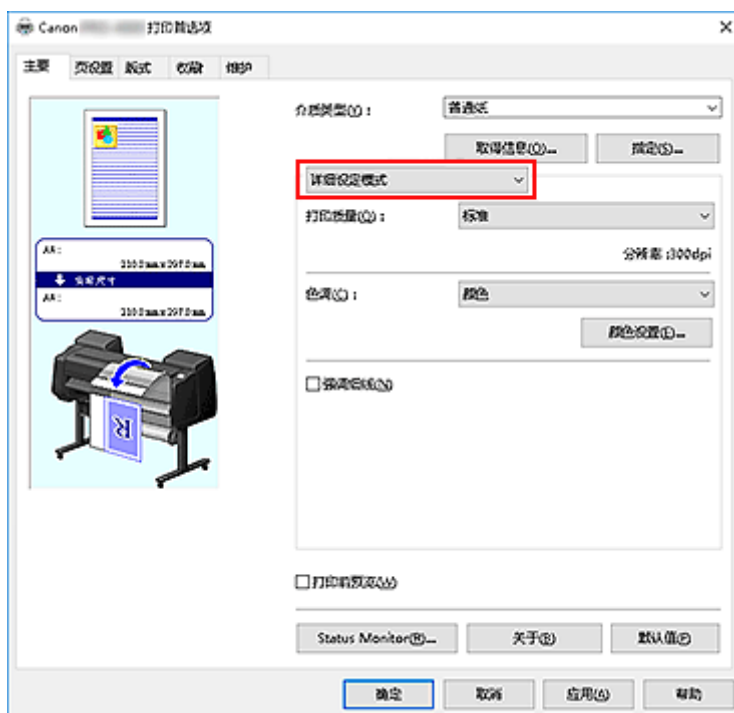
要有效地使用图像数据的色彩空间进行打印时，请选择 **ICM 或 ICC 配置文件校正**。当要使用应用程序软件指定打印 ICC 配置文件时，请选择**无**。

指定色彩修正的步骤如下：

1. 打开[打印机驱动程序设置窗口](#)

2. 选择详细设定模式

从主要选项卡的下拉菜单中选择**详细设定模式**。



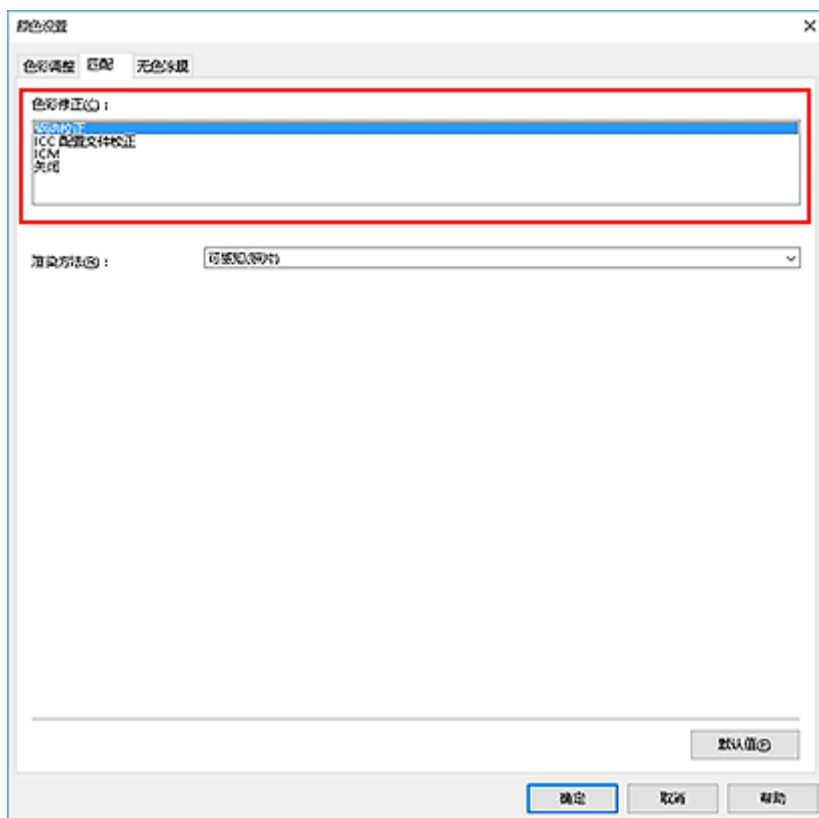
3. 选择色彩模式

在**色彩模式**中，选择**颜色**，然后单击**颜色设置**。

将出现**颜色设置**对话框。

4. 选择色彩修正

单击**匹配**选项卡，从以下设置中选择合乎用途的**色彩修正**设置，然后单击**确定**。



驱动校正

使用驱动程序的原始色彩配置文件会以最佳色彩进行打印。通常应选择此模式。

ICC 配置文件校正

使用 ICC 配置文件执行色彩匹配。指定详细的输入配置文件、打印机配置文件和匹配方法，然后在打印时选择此项。可以使用数码相机或扫描仪 ICC 配置文件，或者使用配置文件创建工具创建的 ICC 配置文件。

ICM

在主计算机上使用 Windows ICM 功能执行色彩匹配。通过支持 ICM 功能的应用程序打印时，请选择此选项。

注

- 使用 XPS 打印机驱动程序时，无法使用 ICM。

无

不在打印机驱动程序上执行色彩匹配的情况下进行打印。使用 Adobe Photoshop 等应用程序执行色彩匹配，或者使用配置文件创建工具打印彩色图表时，请选择此选项。

5. 完成设置

单击主要选项卡上的**确定**。

当执行打印时，将以指定的色彩修正打印文档数据。

重要事项

- 当在应用程序软件中禁用 ICM 时，**色彩修正**中的 ICM 不可用并且打印机可能无法正确打印图像数据。

相关主题

- [图像数据最佳化照片打印](#)

- [使用打印机驱动程序调整色彩](#)
- [使用 ICC 配置文件进行打印](#)
- [解析 ICC 配置文件](#)

图像数据最佳化照片打印

当打印使用数码相机拍摄的图像时，有时会觉得打印的色调与实际图像或在监视器上显示的图像色调有所差别。

要使打印结果尽可能的接近理想色调，必须选择一种最适合于所用的应用程序软件或符合您要求的打印方法。

色彩管理

每种设备(如数码相机、扫描仪、监视器和打印机)处理颜色的方法都不同。色彩管理(色彩匹配)是一种将设备相关“色彩”作为普通色彩空间进行处理的方法。

对于 Windows，操作系统中内置了被称为“ICM”的色彩管理系统。

sRGB 是常用的通用色彩空间之一。

ICC 配置文件将设备相关“色彩”转换成普通色彩空间。通过使用 ICC 配置文件并执行色彩管理，您可以在打印机能够显示的色彩重现区域中描绘出图像数据的色彩空间。

►► 注释

- 通常，图像文件以 JPEG 格式保存。某些数码相机允许以 RAW 格式保存图像。RAW 数据是一种图像保存格式，处理此类图像需要使用计算机。可以使用专用的应用程序软件将输入 ICC 配置文件标记嵌入 RAW 文件中。

选择适合于图像数据的打印方法

根据图像数据的色彩空间或要使用的应用程序软件，建议使用的打印方法会有所不同。

有两种典型的打印方法。

检查图像数据的色彩空间和要使用的应用程序软件，然后选择符合用途的打印方法。

[使用打印机驱动程序调整色彩](#)

本节描述使用打印机驱动程序色彩修正功能打印数据的步骤。

当要以接近监视器显示的效果进行打印时(例如，在监视器上查看打印图像并修正色彩后)，请选择该功能。

[使用 ICC 配置文件进行打印](#)

描述有效使用图像数据色彩空间进行打印的步骤。

您可以通过设置应用程序软件和打印机驱动程序来使用普通色彩空间打印，以使色彩管理与图像数据的输入 ICC 配置文件一致。

根据所用的应用程序软件，打印机驱动程序设置方法会有所不同。

相关主题

- [解析 ICC 配置文件](#)

使用打印机驱动程序调整色彩

要在打印时使用驱动校正，请开启打印机驱动程序的色彩修正功能。驱动校正准确地应用监视器上显示的数据特征，可以获得接近监视器显示效果的打印效果。

重要事项

- 使用驱动校正进行打印时，Canon 建议将监视器和环境光设置如下：
 - 监视器
 - 色温：D50(5000K)
 - 亮度：100 到 120cd/m²
 - 灰度系数：2.2
 - 环境光
 - D50 色彩评估荧光灯(色温 5000K，高显色性)
 - 查看打印材料时的亮度：500 勒克斯 ± 125 勒克斯

注释

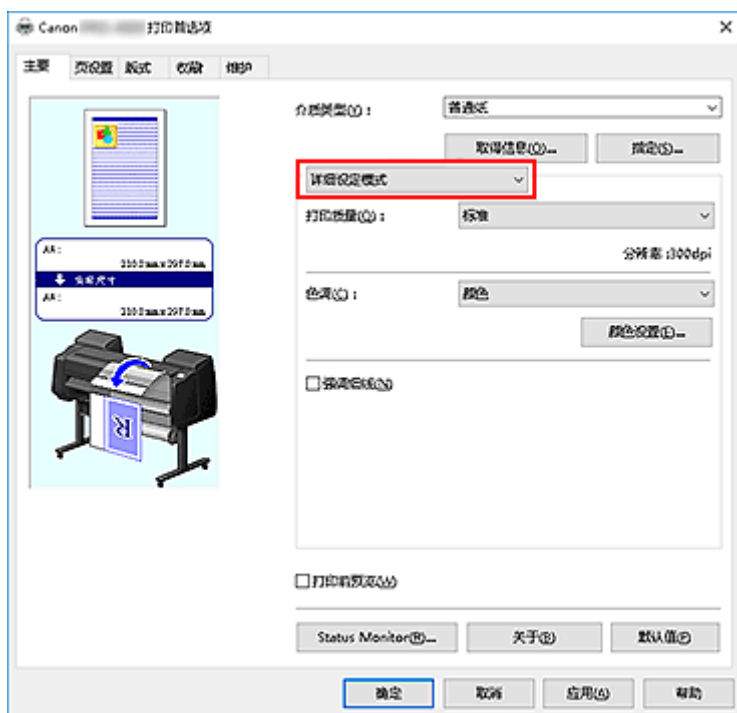
- 从能够识别并允许指定 ICC 配置文件的应用程序软件进行打印时，请在应用程序软件中使用打印 ICC 配置文件，然后为色彩管理选择设置。

使用打印机驱动程序调整色彩的步骤如下：

1. 打开[打印机驱动程序设置窗口](#)

2. 选择详细设定模式

从主要选项卡的下拉菜单中选择详细设定模式。

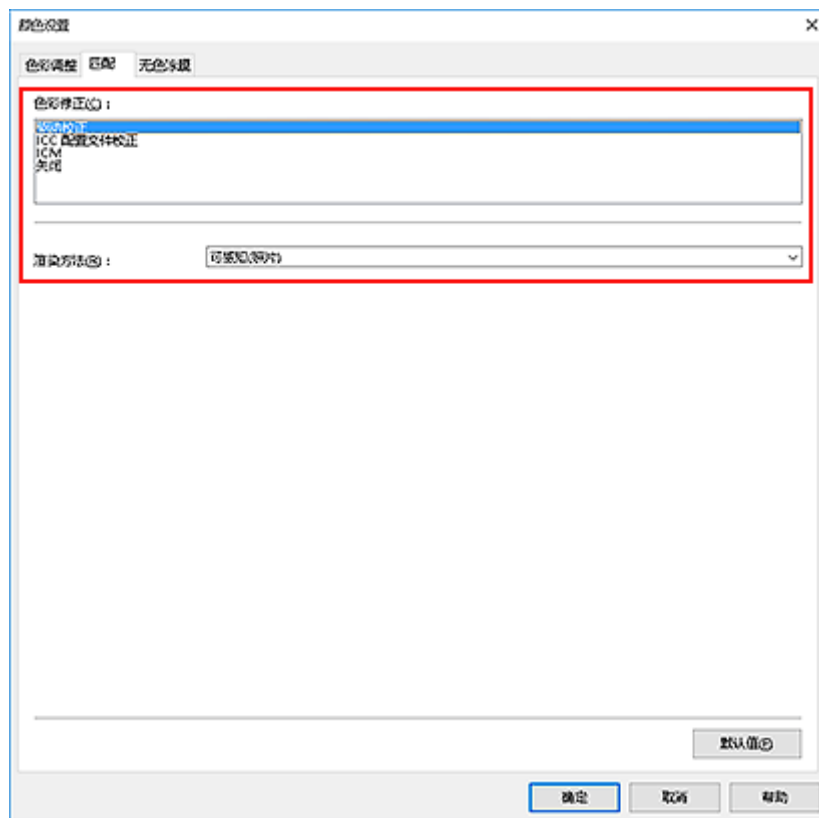


3. 选择色彩模式

在**色彩模式**中，选择**颜色**，然后单击**颜色设置**。
将出现**颜色设置**对话框。

4. 选择色彩修正

单击**匹配**选项卡，然后为**色彩修正**选择**驱动校正**。



5. 选择渲染方法

在**渲染方法**中选择色彩调整方法。

可感知(照片)

以接近监视器所显示的色调重现。要打印照片时，请选择此选项。

饱和度(海报)

以使人们感到愉悦的色调重现。要打印海报或商业文档时，请选择此选项。

6. 设置其他项目

如有必要，单击**色彩调整**选项卡，调整色彩平衡(**青色**、**品红色**、**黄色**)，然后调整**亮度**和**对比度**设置，然后单击**确定**。

7. 完成设置

单击**主要**选项卡上的**确定**。

当执行打印时，打印机驱动程序在打印数据时调节色彩。

相关主题

- [设置打印质量级别\(用户定义\)](#)

- [指定色彩修正](#)
- [调整色彩平衡](#)
- [调节亮度](#)
- [调节对比度](#)

使用 ICC 配置文件进行打印

图像数据带有指定的输入 ICC 配置文件时，可以通过有效地使用数据的色彩空间进行打印。

根据打印所用的应用程序软件，打印机驱动程序设置步骤会有所不同。

从应用程序软件中指定 ICC 配置文件并打印数据

如果您打印 Adobe Photoshop、Canon Digital Photo Professional 或其他允许您指定输入和打印 ICC 配置文件的应用程序软件编辑和修改的结果，可以有效使用指定在图像数据中输入 ICC 配置文件的色彩空间进行打印。

要使用此打印方法，请使用应用程序软件在图像数据中选择色彩管理项目、指定输入 ICC 配置文件和打印 ICC 配置文件。

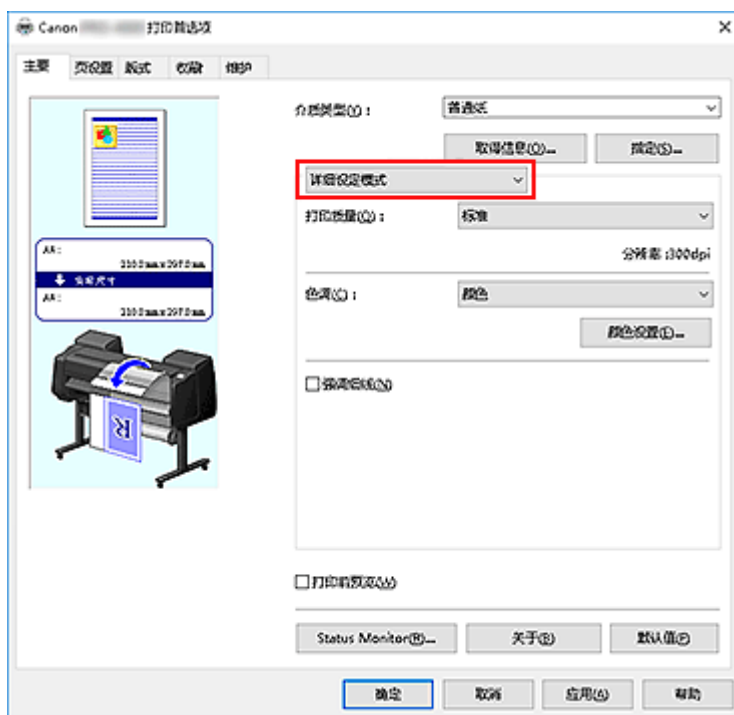
即使使用您自己创建的打印 ICC 配置文件或专用于 Canon 纸张的 ICC 配置文件打印时，也请务必从您的应用程序软件中选择色彩管理项目。

有关用法说明，请参见您正在使用的应用程序软件手册。

1. 打开[打印机驱动程序设置窗口](#)

2. 选择详细设定模式

从主要选项卡的下拉菜单中选择详细设定模式。

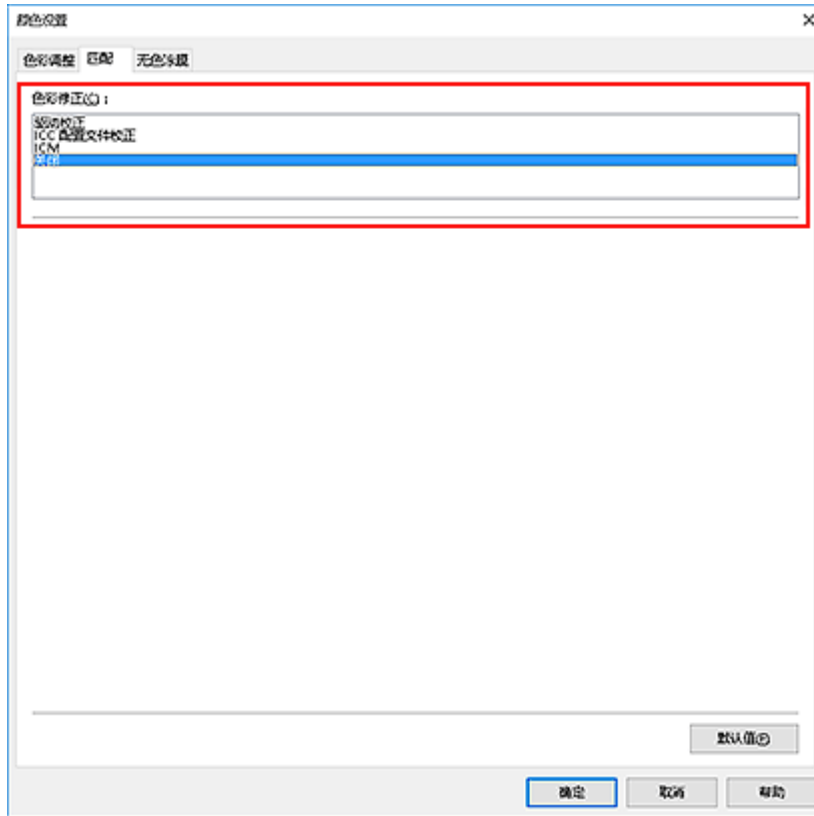


3. 选择色彩模式

在色彩模式中，选择颜色，然后单击颜色设置。
将出现颜色设置对话框。

4. 选择色彩修正

单击**匹配**选项卡，然后为**色彩修正**选择**无**。



5. 设置其他项目

如有必要，单击**色彩调整**选项卡，调整色彩平衡(青色、品红色、黄色)，然后调整**亮度**和**对比度**设置，单击**确定**。

6. 完成设置

单击**主要**选项卡上的**确定**。

当执行打印时，打印机使用图像数据的色彩空间。

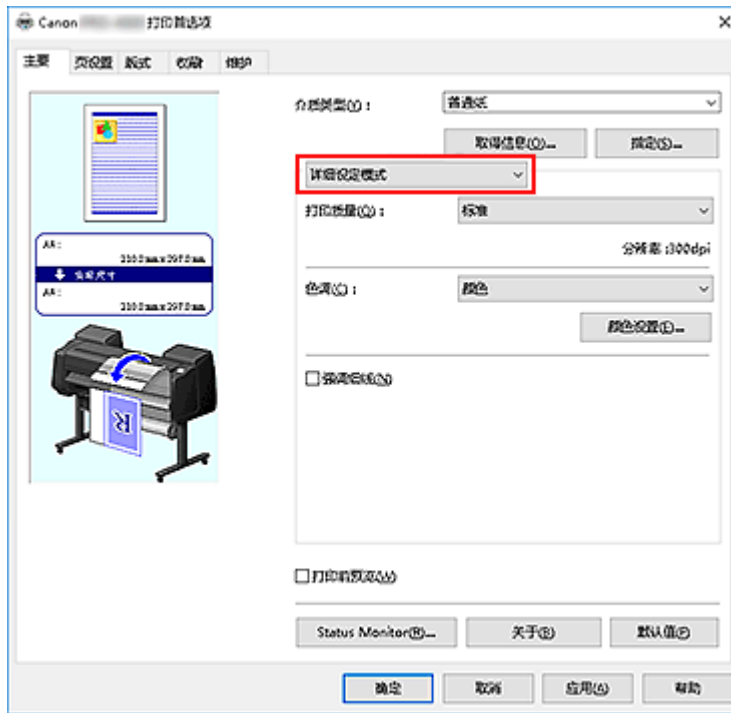
使用打印机驱动程序指定 ICC 配置文件，然后打印

从无法识别输入 ICC 配置文件或不允许指定该配置文件的应用程序软件进行打印时，数据色彩空间将打印为 sRGB。

1. 打开[打印机驱动程序设置窗口](#)

2. 选择**详细设定模式**

从**主要**选项卡的下拉菜单中选择**详细设定模式**。

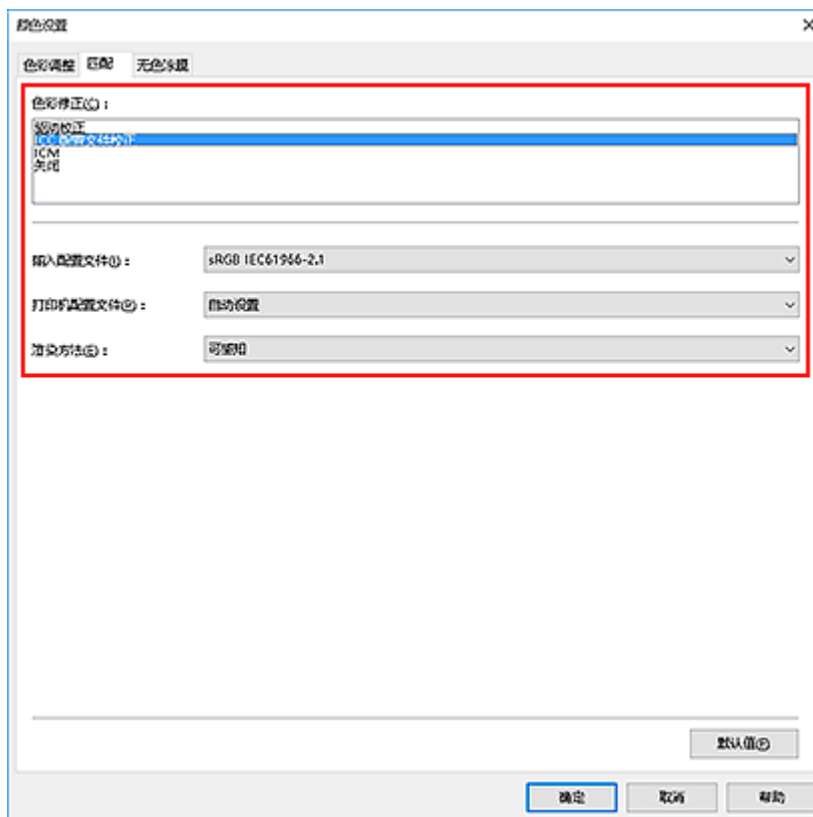


3. 选择色彩模式

在色彩模式中，选择颜色，然后单击颜色设置。
将出现颜色设置对话框。

4. 选择色彩修正

单击匹配选项卡，然后将色彩修正选择为 ICC 配置文件校正。



5. 选择输入配置文件

选择要使用的输入配置文件。

重要事项

- 当应用程序软件指定了输入配置文件时，打印机驱动程序的输入配置文件设置无效。

6. 选择打印机配置文件

按如下所述选择**打印机配置文件**：

- 自动设置打印机配置文件：
选择**自动设置**。
- 手动设置打印机配置文件：
选择与要使用的介质类型相匹配的打印机配置文件。

7. 选择渲染方法

在**渲染方法**中选择色彩调整方法。

可感知

以接近监视器所显示的色调重现。要打印照片时，请选择此选项。

重要事项

- 选择**可感知**以打印图像时，Canon 建议按照如下所述设置监视器和环境光：
 - 监视器
色温：D50(5000K)
亮度：100 到 120cd/m²
灰度系数：2.2
 - 环境光
D50 色彩评估荧光灯(色温 5000K，高显色性)
查看打印材料时的亮度：500 勒克斯 ± 125 勒克斯

饱和度

以使人们感到愉悦的色调重现。要打印海报或商业文档时，请选择此选项。

相对比色

当图像数据转换为打印机的色彩空间时，该方法转换图像数据，所以重现的色彩接近于共享的色彩区域。选择该方法以打印色彩接近原始色彩的图像数据。

绝对比色

选择**相对比色**时，重现像纸张白点一样的白点(背景颜色)。但是，选择**绝对比色**时，如何重现白点取决于图像数据。

重要事项

- 根据介质类型的不同，即使更改**渲染方法**设置，也可能获得相同的打印结果。

8. 设置其他项目

如有必要，单击**色彩调整**选项卡，调整**青色、品红色、黄色、亮度和对比度**设置，然后单击**确定**。

9. 完成设置

单击**主要**选项卡上的**确定**。

当执行打印时，打印机使用图像数据的色彩空间。

相关主题

- [设置打印质量级别\(用户定义\)](#)
- [指定色彩修正](#)
- [调整色彩平衡](#)
- [调节亮度](#)
- [调节对比度](#)

解析 ICC 配置文件

为本打印机指定 ICC 配置文件时，请根据打印输出介质指定 ICC 配置文件。

安装在本打印机的 ICC 配置文件显示如下。

Canon XXXXX Photo Paper Plus Glossy II
(1) (2)

- (1): 打印机型号
- (2): 介质类型
有关兼容纸张的名称，请从“纸张信息列表”查看要使用的纸张信息。

»» 注释

- 对于介质类型末尾显示“-P”的 ICC 配置文件，其打印结果与将渲染方法设置为可感知或相对比色时相同。

调节亮度

可以在打印过程中使整个图像数据的色彩变亮或变暗。
以下示例显示打印图像数据时使浅色变暗的情形。



原始图像

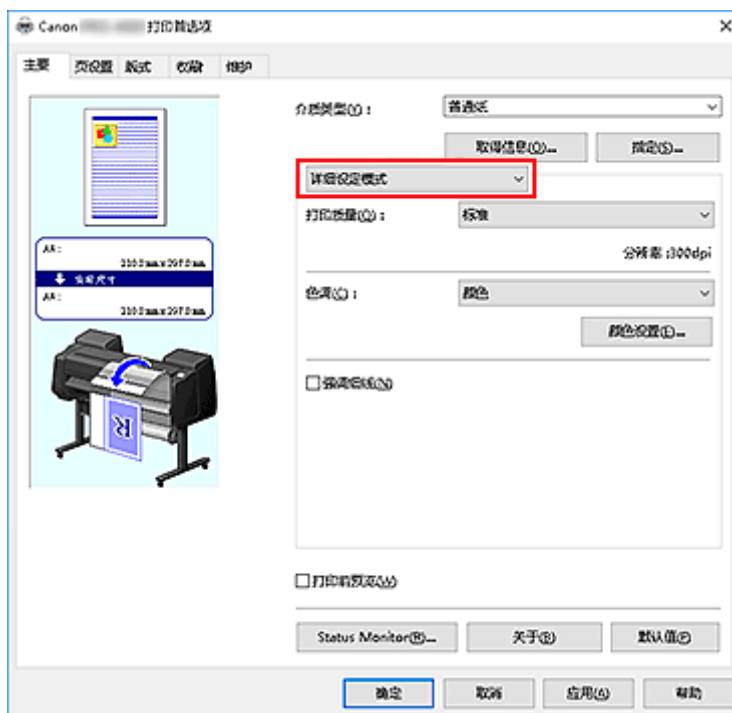


使浅色变暗

调节亮度的步骤如下：

1. 打开[打印机驱动程序设置窗口](#)
2. 选择详细设定模式

从主要选项卡的下拉菜单中选择详细设定模式。

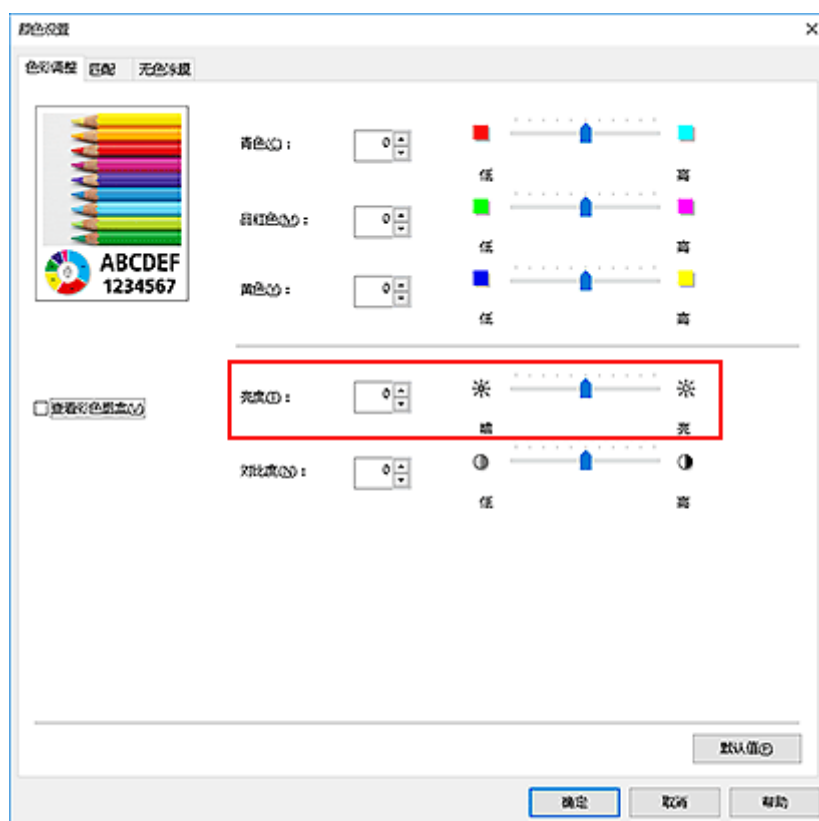


3. 选择色彩模式

在色彩模式中，选择颜色，然后单击颜色设置。
将出现颜色设置对话框。

4. 调整亮度

在**色彩调整**选项卡上，向右移动**亮度**滑块使颜色变亮(减淡)，向左移动此滑块使颜色变暗(加深)。也可以直接输入与滑块关联的数值。输入从-50 到 50 范围内的数值。当前设置显示在打印机驱动程序左侧的设置预览中。



5. 完成设置

单击**主要**选项卡上的**确定**。

执行打印时，将以调整后的亮度打印数据。

相关主题

- [设置打印质量级别\(用户定义\)](#)
- [指定色彩修正](#)
- [调整色彩平衡](#)
- [调节对比度](#)

调节对比度

您可以在打印过程中调节图像的对比度。

要使图像中明暗部分的差别增大且更加清晰，请增加对比度。相反，要使图像中明暗部分的差别减小且变得模糊，请减少对比度。



原始图像



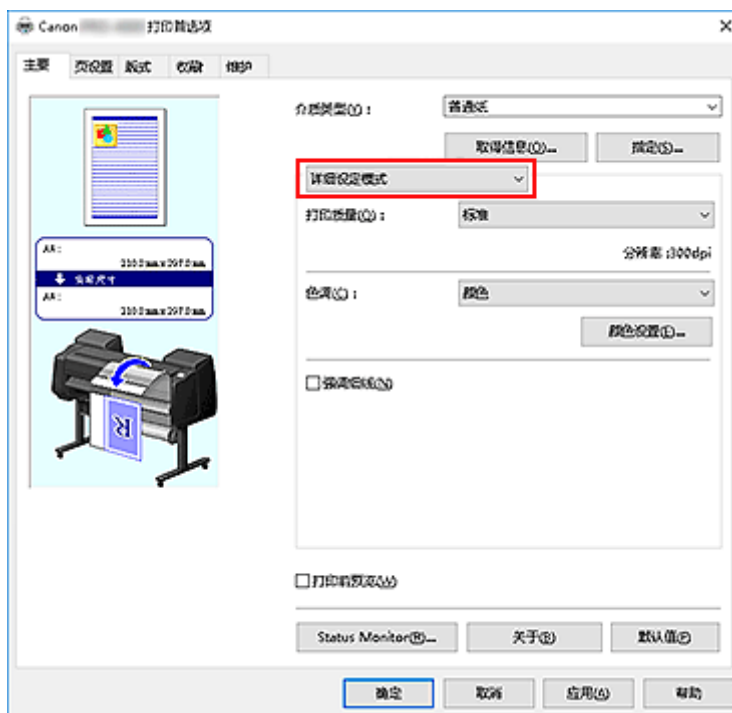
调节对比度

调节对比度的步骤如下：

1. 打开[打印机驱动程序设置窗口](#)

2. 选择详细设定模式

从**主要**选项卡的下拉菜单中选择**详细设定模式**。



3. 选择色彩模式

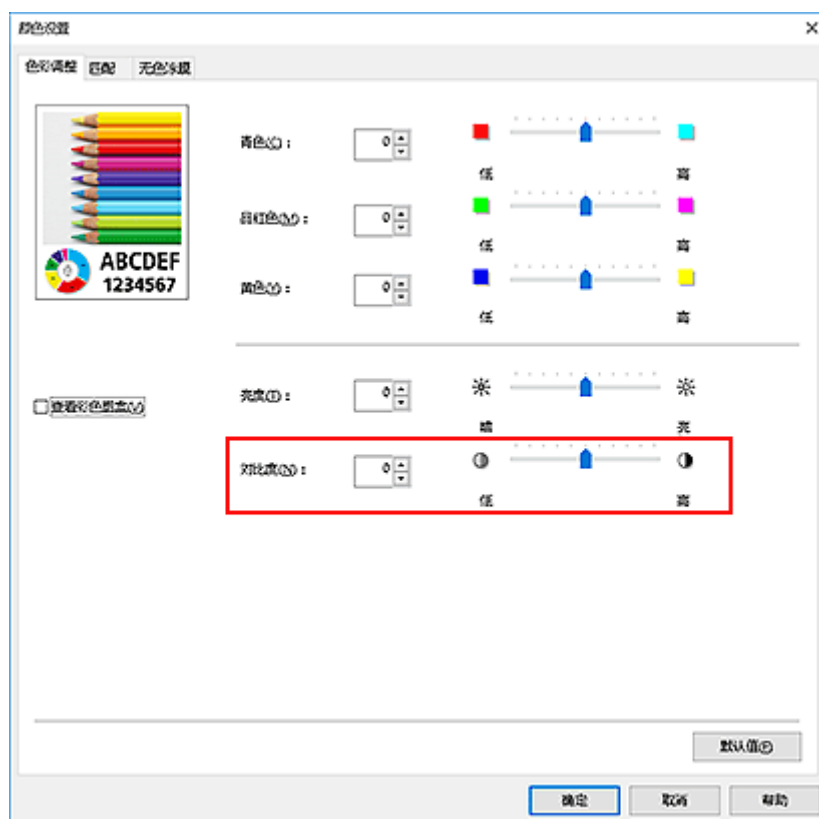
在**色彩模式**中，选择**颜色**，然后单击**颜色设置**。

将出现“**颜色设置...**”对话框。

4. 调节对比度

在**色彩调整**选项卡上，向右移动**对比度**滑块将增加对比度，向左移动滑块将降低对比度。也可以直接输入与滑块关联的数值。输入从-50 到 50 范围内的数值。当前设置显示在打印机驱动程序左侧的设置预览中。

调整各色彩后，单击**确定**。



5. 完成设置

单击**主要**选项卡上的**确定**。

当执行打印时，将以调节后的对比度打印图像。

相关主题

- [设置打印质量级别\(用户定义\)](#)
- [指定色彩修正](#)
- [调整色彩平衡](#)
- [调节亮度](#)

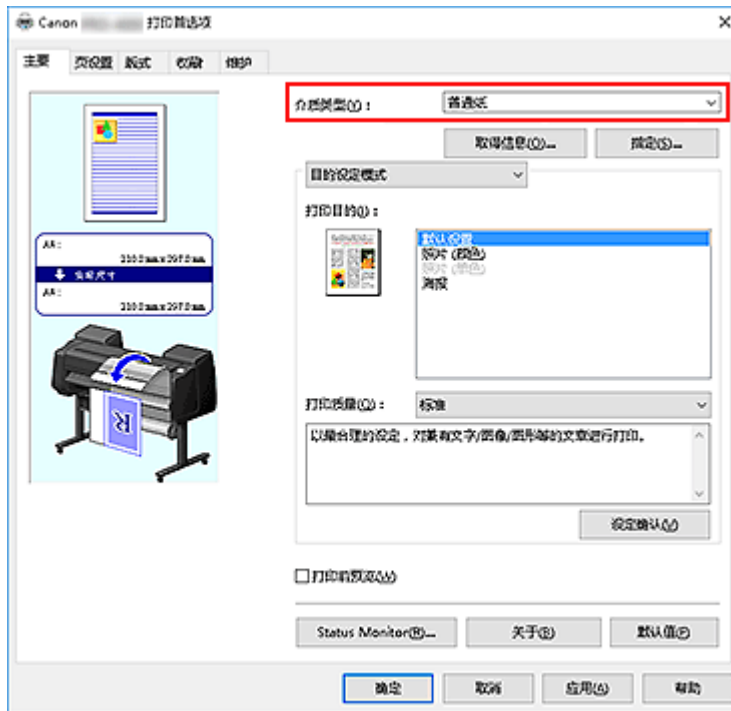
使用详细设置模式打印

可以使用自定的设置进行打印，而不使用预先注册的打印目的的设置。

使用详细设置模式并打印的步骤如下：

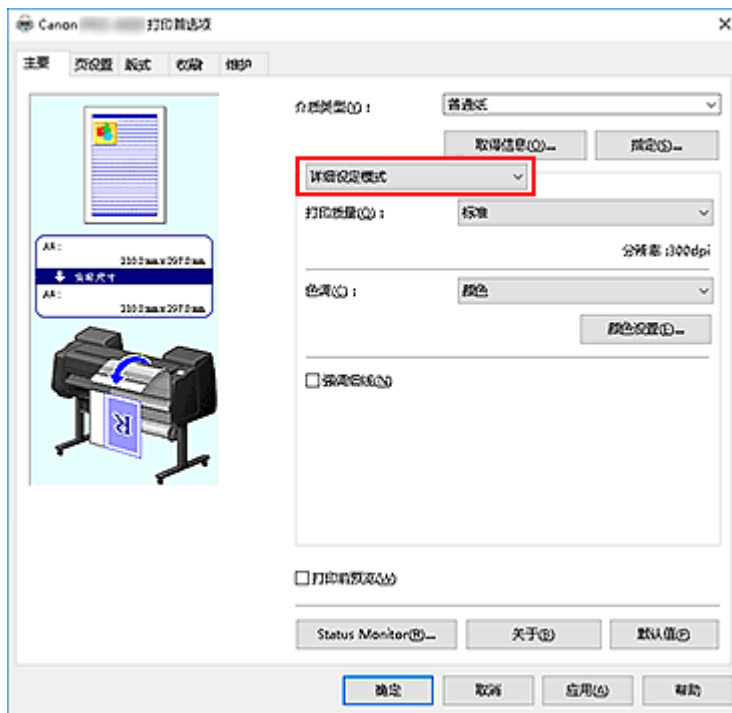
1. 打开[打印机驱动程序设置窗口](#)
2. 选择介质类型

从主要选项卡的介质类型列表中选择装入打印机的纸张类型。



3. 选择详细设定模式

从主要选项卡的下拉菜单中选择详细设定模式。



4. 设置打印条件

根据需要设置以下项目。

打印质量

选择所需的打印质量。

选择以下其中一种以设置合乎用途的打印质量级别。

色彩模式

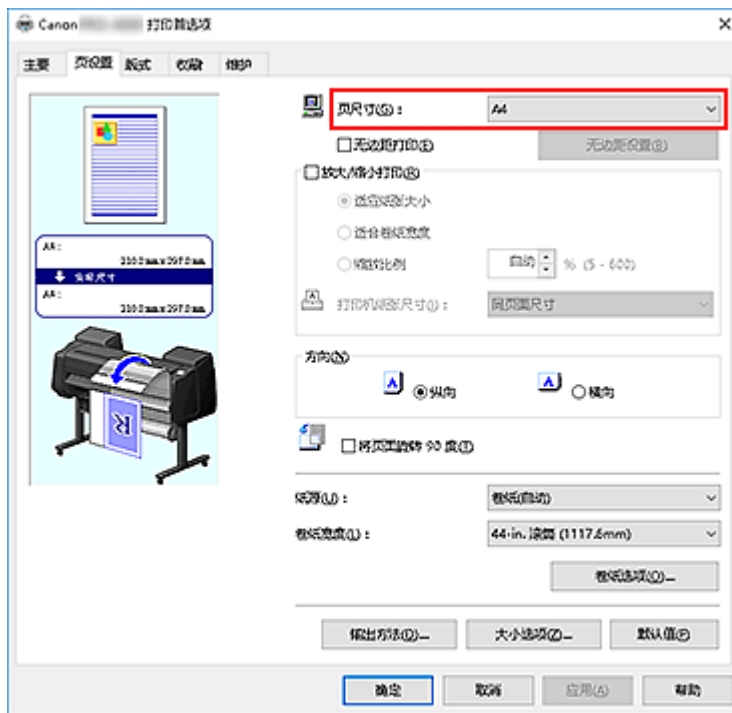
选择色彩调整方法。

强调细线

将细线条加粗打印以便于查看。

5. 选择纸张尺寸

从**页设置**选项卡的**页尺寸**列表中，选择与使用应用程序软件创建的文档相同的尺寸。
当前设置显示在窗口左侧的设置预览中。



6. 选择纸张来源

对于纸源，选择符合使用目的的设置。

重要事项

- 根据纸张或下行卷纸(卷纸 2)设置或卷纸单元选项设置，进纸方法会有所不同。

7. 设置其他项目

根据需要设置其他项目。

8. 完成设置

单击**确定**。

打印时，将使用已设置的打印条件打印文档。

相关主题

- [调整色彩平衡](#)
- [设置打印质量级别\(用户定义\)](#)
- [指定色彩修正](#)
- [调节亮度](#)
- [调节对比度](#)

比例打印

以放大或缩小页面打印文档的步骤如下：

1. 打开[打印机驱动程序设置窗口](#)

2. 选择文档的纸张尺寸

使用页尺寸，选择使用应用程序软件设置的页尺寸。

3. 选择纸张来源

对于纸源，选择符合使用目的的设置。

重要事项

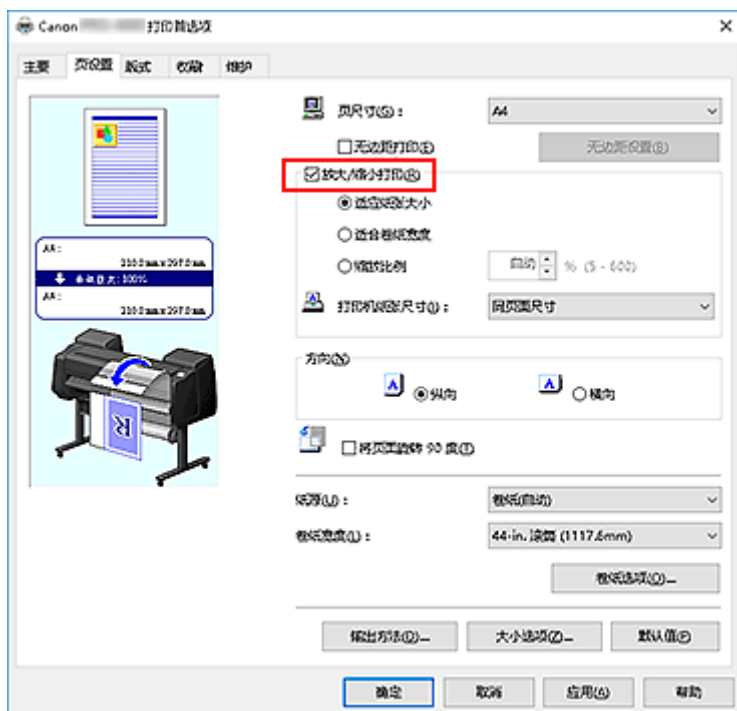
- 根据纸张或下行卷纸(卷纸 2)设置或卷纸单元选项设置，进纸方法会有所不同。

4. 选择卷纸宽度

如果将纸源选择为卷纸，请将卷纸宽度设置为装入打印机的卷纸宽度。

5. 选择比例打印

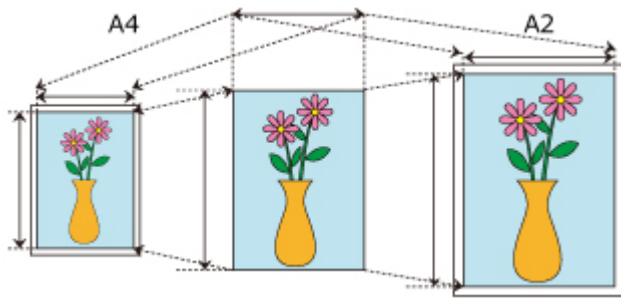
选中放大/缩小打印复选框。



6. 使用下述任一方法设置比例

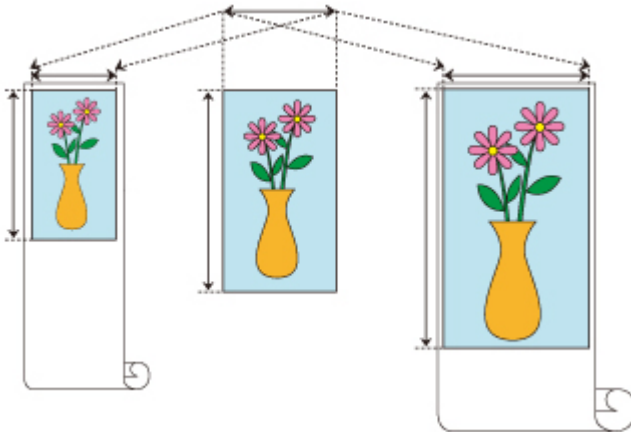
从以下所列项目中，选择符合使用目的的设置，然后选中相应的复选框。当前设置显示在窗口左侧的设置预览中。

- 适应纸张大小



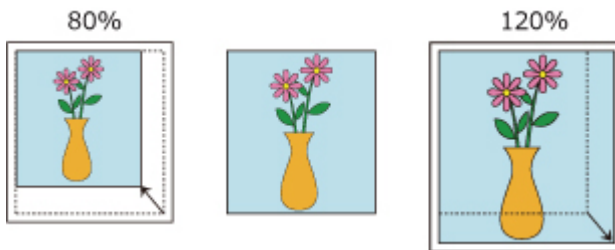
缩放文档以适合纸张尺寸。

- 适合卷纸宽度



缩放文档以适合卷纸宽度。

- 缩放比例



可以通过直接输入数值或从**打印机纸张尺寸**列表中选择所需纸张尺寸来指定缩放比例。

从**打印机纸张尺寸**列表中选择尺寸小于**页尺寸**设置时，文档将被缩小；选择的尺寸大于设置时，文档将被放大。

7. 完成设置

单击**确定**。

当执行打印时，将以指定的比例打印文档。

重要事项

- 当用于创建原稿的应用程序软件具有比例打印功能时，请在该应用程序软件上配置此设置。您无需在打印机驱动程序中配置相同的设置。
- 启用**自动切换纸张来源(纸张大小优先)**、在**页设置**选项卡的**放大/缩小打印**中选择**适合卷纸宽度**，并且在**纸源**中选择**卷纸(自动)**时，如果执行放大/缩小打印，将始终使用卷纸 1(上行卷纸)进行打印。

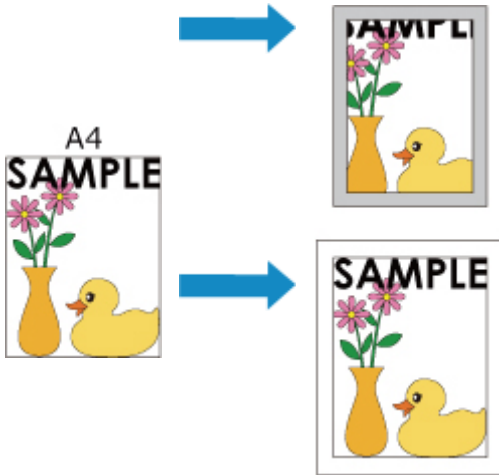
注释

- 选择**放大/缩小打印**将更改文档的可打印区域。

打印超大尺寸纸张

打印已创建的文档时，如果要使其填充整个纸张宽度，请从**特大**列表中选择纸张尺寸(文档尺寸加上打印机操作所需要的页边距)，以便按照实际尺寸打印文档的全部区域。

在打印后裁去外围的页边距，可获得与文档具有相同区域的打印结果。



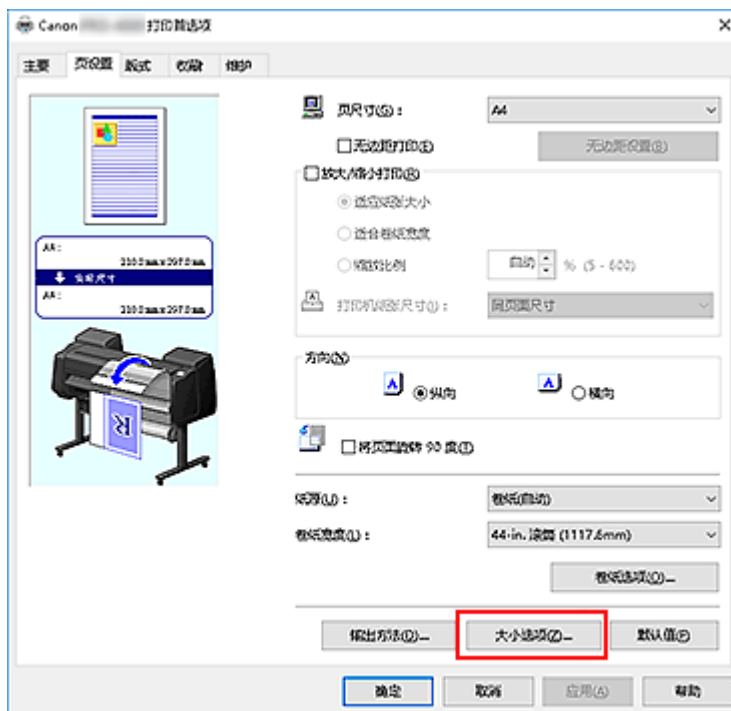
使用超大尺寸打印的步骤如下：

1. 打开[打印机驱动程序设置窗口](#)

2. 选择纸张尺寸

从**页设置**选项卡的**页尺寸**列表中，选择与使用应用程序软件创建的文档相同的尺寸。

3. 单击**大小选项...**



纸张大小选项对话框打开。

4. 选择超大尺寸

选中特大复选框，然后单击确定。



当前设置显示在页设置选项卡左侧的设置预览中。

5. 选择纸张来源

对于纸源，选择符合使用目的的设置。

重要事项

- 根据纸张或下行卷纸(卷纸 2)设置或卷纸单元选项设置，进纸方法会有所不同。

6. 选择卷纸宽度

如果将纸源选择为卷纸，请将卷纸宽度设置为装入打印机的卷纸宽度。

7. 设置其他项目

根据需要设置其他项目。

8. 完成设置

单击确定。

打印时，将使用超大尺寸打印文档。

重要事项

- 打印超大尺寸时，所使用的纸张尺寸必须满足以下条件(文档尺寸加上需要的边距)。
 - 单页纸：文档宽度加上 6 毫米或更多，高度加上 23 毫米或更多
 - 卷纸：文档宽度加上 6 毫米或更多，高度加上 6 毫米或更多

注释

- 无法将超大纸张尺寸用于可装入打印机的最大纸张尺寸。

- 要为非标准纸张尺寸设置超大纸张尺寸，请在**纸张大小选项**对话框中注册纸张尺寸。无法为在**自定义大小设置**对话框中设置的纸张尺寸设置超大纸张尺寸。
-

设置纸张尺寸(用户定义尺寸)

当从页尺寸中无法选择所需纸张尺寸时，可以指定纸张的高度和宽度。此类纸张尺寸称为“用户定义尺寸”

有两种方法可以设置用户定义纸张：从页设置选项卡上的“大小选项...”中设置纸张以及从页尺寸的自定义大小中设置纸张。

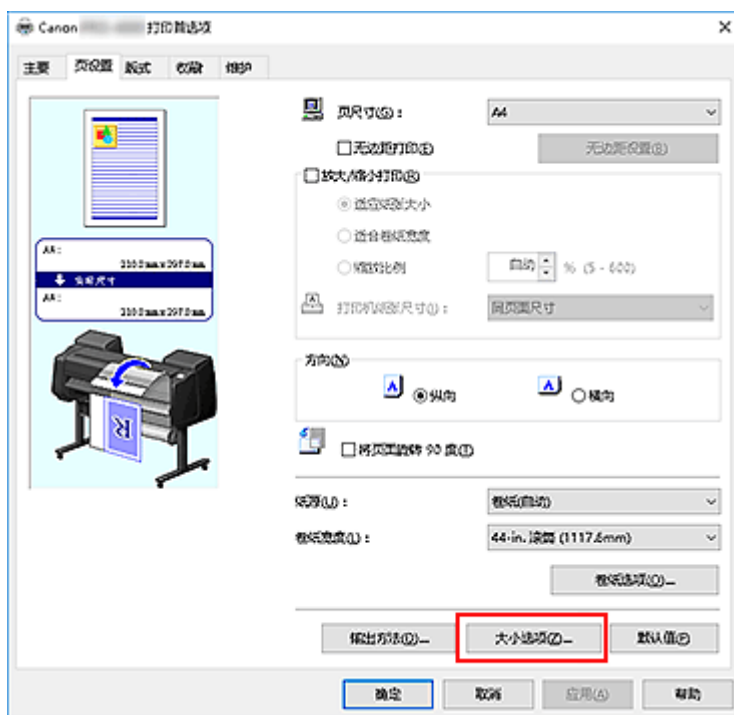
如果想重复使用用户定义纸张，从“大小选项...”中设置更为方便，因为该设置将注册到页尺寸，以便日后可以随时选择。

如果想暂时使用用户定义纸张，从自定义大小中设置更为合适。

指定用户定义尺寸的步骤如下：

从纸张大小选项中进行设置

1. 打开[打印机驱动程序设置窗口](#)
2. 单击大小选项...选项卡上的页设置



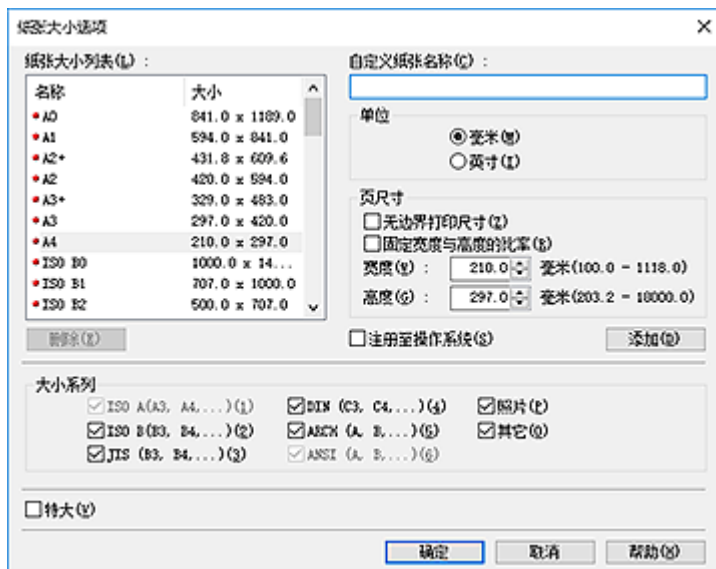
纸张大小选项对话框打开。

3. 设置用户定义纸张

设置自定义纸张名称、单位和大小，然后单击添加收藏夹。

对于大小，可以指定纸张尺寸或从纸张大小列表中选择要使用的纸张尺寸。

要缩小纸张大小列表中显示的纸张尺寸范围，请选中大小系列复选框。



注释

- 通过在大小中选中无边距打印尺寸复选框，可以选择支持无边距打印的纸张尺寸。通过选中固定宽度与高度的比率复选框，可以在保持宽度和高度比率的同时更改尺寸。

4. 设置用户定义纸张

单击**确定**，然后返回**页设置**选项卡。

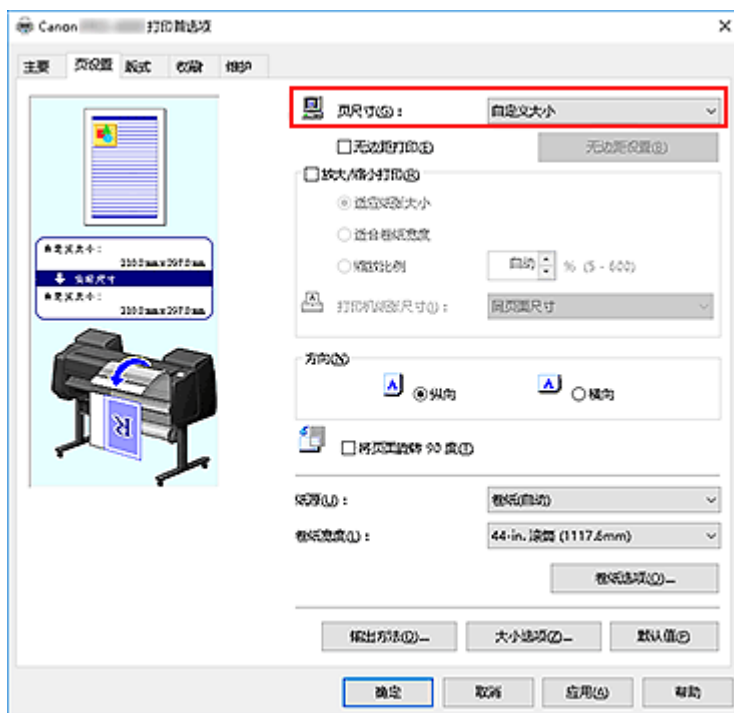
使用**自定义纸张名称**注册的纸张尺寸将注册到**页尺寸**的**自定义纸张**，并可以随时选择。

通过自定义大小进行设置

1. 打开打印机驱动程序设置窗口

2. 选择纸张尺寸

在**页设置**选项卡上的**页尺寸**中，从**自定义纸张列表**选择自定义大小。



自定义大小设置对话框打开。



3. 设置用户定义纸张尺寸

输入要使用的纸张的**宽度**和**高度**值，指定**单位**，然后单击**确定**。

4. 完成设置

单击**页设置**选项卡上的**确定**。

当执行打印时，将以指定的纸张尺寸打印数据。

重要事项

- 如果创建文档的应用程序软件具有允许用户指定高度和宽度值的功能时，请使用该应用程序软件设置这些值。如果应用程序软件不具有该功能或无法正确打印文档时，请执行上述步骤从打印机驱动程序设置这些值。
- 根据指定的用户定义介质的尺寸，可能会禁用打印。
有关用户定义介质的可打印尺寸的信息，请参见“[纸张大小](#)”。
- 应用程序软件关闭后，通过**自定义大小**设置的任何纸张尺寸将无法再使用。

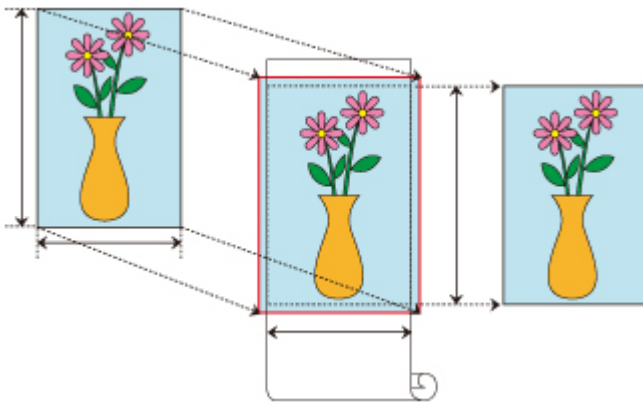
»» 注释

- 如果打印机驱动程序中的纸张设置与打印机上注册的纸张信息不同，打印机的操作面板上可能会出现错误信息。打印仍可进行，但可能无法获得正确的打印结果。
- 使用自定义大小可设置的最大尺寸为 3.2 米。

根据情况执行无边距打印

- ▶ 根据纸张尺寸执行无边距打印
- ▶ 根据卷纸宽度执行无边距打印
- ▶ 执行无边距全尺寸打印

根据纸张尺寸执行无边距打印



根据纸张尺寸放大/缩小文档以执行无边距打印(边缘不留白边)的步骤。

1. 在打印机驱动程序中，打开[设置屏幕](#)

2. 选择进纸方法

在纸源中，从卷纸(自动)、卷纸 1 和卷纸 2 选择最符合使用目的的选项。

重要事项

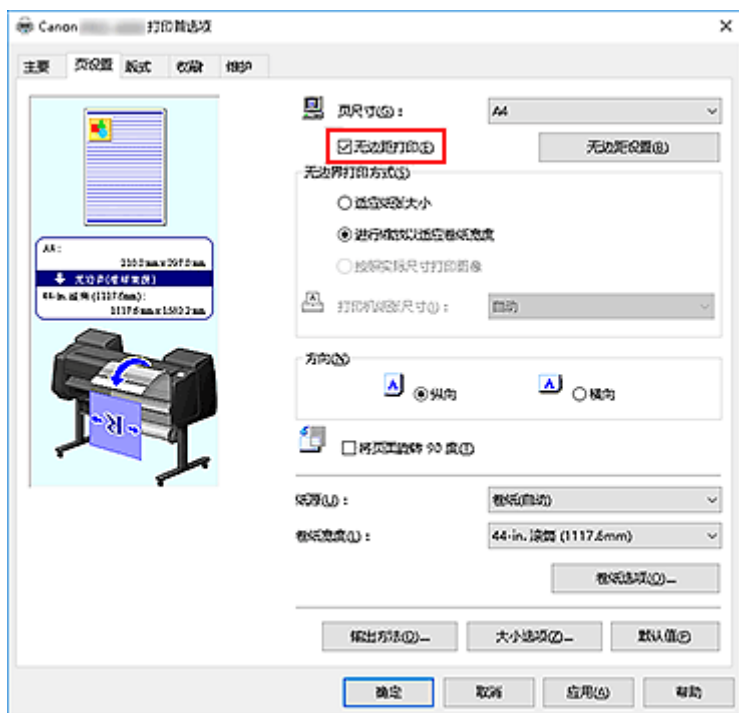
- 根据纸张和下部托盘(卷纸 2)设置或卷纸单元选项设置的不同，可以选择的进纸方法会有所不同。

3. 选择卷纸宽度

对于卷纸宽度，在卷纸宽度下输入打印机中设置的值。

4. 选择无边距打印

在页设置选项卡中，在无边距打印选项旁添加选中标记。



显示**信息**对话框后，在**卷纸宽度**下选择与装入打印机的卷纸宽度相同的纸张宽度，然后单击**确定**。

5. 确定希望图像超出纸张尺寸的程度

根据需要调整**扩展量**。

单击**无边距设置**时，将出现**无边距设置**对话框。

向右拖动滑块将增加扩展量，向左拖动滑块将减少扩展量。

在大多数情况下，建议置于从右边数第二个位置。

重要事项

- 如果**扩展量**滑块位于右边缘，纸张背面可能会弄脏。

6. 选择无边距打印的方法

在**无边界打印方式**选项卡中，在**适应纸张大小**选项旁添加选中标记。

如果文档尺寸与用于打印的纸张尺寸不同，请在**打印机纸张尺寸**中选择用于打印的纸张尺寸。

7. 完成设置过程

单击**确定**。

如果现在打印，将对文档执行无边距打印以适应纸张尺寸。

重要事项

- 如果选择不支持无边距打印的纸张尺寸，会将其替换为支持整面无边距打印的尺寸。
 - 如果在**无边距打印**选项旁添加选中标记，**版式**选项卡中的**页面布局**和**打印居中**选项将显示为灰色且无法设置。
 - 根据纸张尺寸的不同，纸张的长/宽比可能会与图像的长/宽比有所不同，导致无法在纸张上打印完整图像。
- 如果发生这种情况，请使用应用程序软件裁剪图像以符合纸张尺寸。

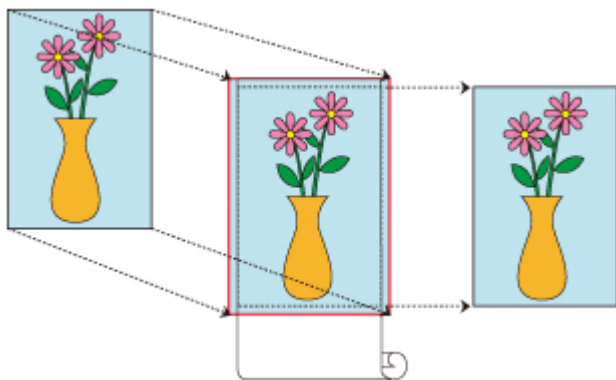
- 执行无边距打印时，打印可能会突然停止并对纸张进行裁切，导致纸张边缘颜色轻微不均。如果要求极高质量，请在**卷纸选项**对话框的“**自动剪切...**”列表中选择**否**。如果执行上述操作，打印文档时将不留左右页边距。从打印机输出并裁切打印材料后，请使用剪刀裁切上下边缘。
- 根据使用频率的不同，在固墨属性较低的纸张上执行无边距打印时，切刀单元可能会接触到纸张表面，从而划伤纸张并导致纸张裁切不均匀。
通过单击**主要**选项卡上的“**指定...**”，然后在**纸张详细设置**对话框的**干燥时间**下，将**页码范围**设置为较高值可以改善上述情况。
- 如果在启用**自动切换纸张来源(纸张大小优先)**时执行无边距打印，则在**页设置**选项卡的**无边界打印方式**下，只能选择**进行缩放以适应卷纸宽度**。在这种情况下，通常将使用卷纸 1(上部托盘中的卷纸)进行打印。如果卷纸 1 中放置的纸张尺寸或类型不支持无边距打印，则无法执行无边距打印。
- 如果将**卷纸宽度**选择为以下纸张，即使已设置无边距打印，也可能会在文档左右两侧形成边距。
 - **A2/A3 滚筒 (420.0mm)**
 - **16-in. 滚筒 (406.4mm)**
 - **A3+ 滚筒 (329.0mm)**
 - **300mm 滚筒 (300.0mm)**
 - **A3/A4 滚筒 (297.0mm)**
 - **B4 滚筒 (257.0mm)**
 - **8-in. 滚筒 (203.2mm)**

此外，纸张背面可能会出现脏污。

►► 注释

- 使用 Microsoft Word 等可以设置页边距的应用程序时，请将页边距设置为 0 毫米。

根据卷纸宽度执行无边距打印



根据卷纸宽度放大/缩小文档以执行无边距打印(边缘不留白边)的步骤。

1. 在打印机驱动程序中，打开[设置屏幕](#)

2. 选择进纸方法

在纸源中，从卷纸(自动)、卷纸 1 和卷纸 2 选择最符合使用目的的选项。

重要事项

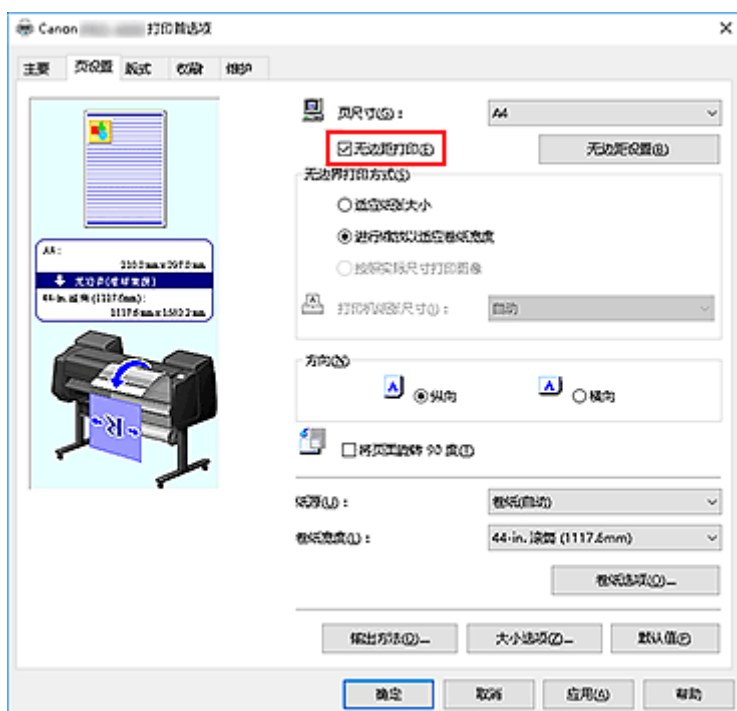
- 根据纸张和下部托盘(卷纸 2)设置或卷纸单元选项设置的不同，可以选择的进纸方法会有所不同。

3. 选择卷纸宽度

对于卷纸宽度，在卷纸宽度下输入打印机中设置的值。

4. 选择无边距打印

在页设置选项卡中，在无边距打印选项旁添加选中标记。



显示**信息**对话框后，在**卷纸宽度**下选择与装入打印机的卷纸宽度相同的纸张宽度，然后单击**确定**。

5. 确定希望图像超出纸张尺寸的程度

根据需要调整**扩展量**。

单击**无边距设置**时，将出现**无边距设置**对话框。

向右拖动滑块将增加扩展量，向左拖动滑块将减少扩展量。

在大多数情况下，建议置于从右边数第二个位置。

重要事项

- 如果**扩展量**滑块位于右边缘，纸张背面可能会弄脏。

6. 选择无边距打印的方法

请在**无边界打印方式**中的**进行缩放以适应卷纸宽度**旁添加选中标记。

7. 完成设置过程

单击**确定**。

作业将打印满整个卷纸宽度且不留白边。

重要事项

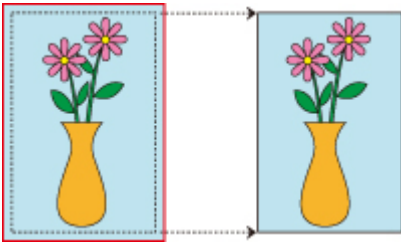
- 如果选择不支持无边距打印的纸张尺寸，会将其替换为支持整面无边距打印的尺寸。
- 如果在**无边距打印**选项旁添加选中标记，**版式**选项卡中的**页面布局**和**打印居中**选项将显示为灰色且无法设置。
- 根据纸张尺寸的不同，纸张的长/宽比可能会与图像的长/宽比有所不同，导致无法在纸张上打印完整图像。
如果发生这种情况，请使用应用程序软件裁剪图像以符合纸张尺寸。
- 执行无边距打印时，打印可能会突然停止并对纸张进行裁切，导致纸张边缘颜色轻微不均。如果要求极高质量，请在**卷纸选项**对话框的“**自动剪切...**”列表中选择**否**。如果执行上述操作，打印文档时将不留左右页边距。从打印机输出并裁切打印材料后，请使用剪刀裁切上下边缘。
- 根据使用频率的不同，在固墨属性较低的纸张上执行无边距打印时，切刀单元可能会接触到纸张表面，从而划伤纸张并导致纸张裁切不均匀。
通过单击**主要**选项卡上的“**指定...**”，然后在**纸张详细设置**对话框的**干燥时间**下，将**页码范围**设置为较高值可以改善上述情况。
- 如果在启用**自动切换纸张来源(纸张大小优先)**时执行无边距打印，则在**页设置**选项卡的**无边界打印方式**下，只能选择**进行缩放以适应卷纸宽度**。在这种情况下，通常将使用卷纸 1(上部托盘中的卷纸)进行打印。如果卷纸 1 中放置的纸张尺寸或类型不支持无边距打印，则无法执行无边距打印。
- 如果将**卷纸宽度**选择为以下纸张，即使已设置无边距打印，也可能会在文档左右两侧形成边距。
 - **A2/A3 滚筒 (420.0mm)**
 - **16-in. 滚筒 (406.4mm)**
 - **A3+ 滚筒 (329.0mm)**
 - **300mm 滚筒 (300.0mm)**
 - **A3/A4 滚筒 (297.0mm)**
 - **B4 滚筒 (257.0mm)**
 - **8-in. 滚筒 (203.2mm)**

此外，纸张背面可能会出现脏污。

»» 注释

- 使用 Microsoft Word 等可以设置页边距的应用程序时，请将页边距设置为 0 毫米。

执行无边距全尺寸打印



在不放大/缩小图像的情况下，以与原件相同的尺寸对图像执行无边距打印(边缘不留白边)的步骤。如果注重打印质量，则建议使用。

1. 在打印机驱动程序中，打开[设置屏幕](#)

2. 选择进纸方法

在纸源中，从**卷纸(自动)**、**卷纸 1** 和**卷纸 2** 选择最符合使用目的的选项。

重要事项

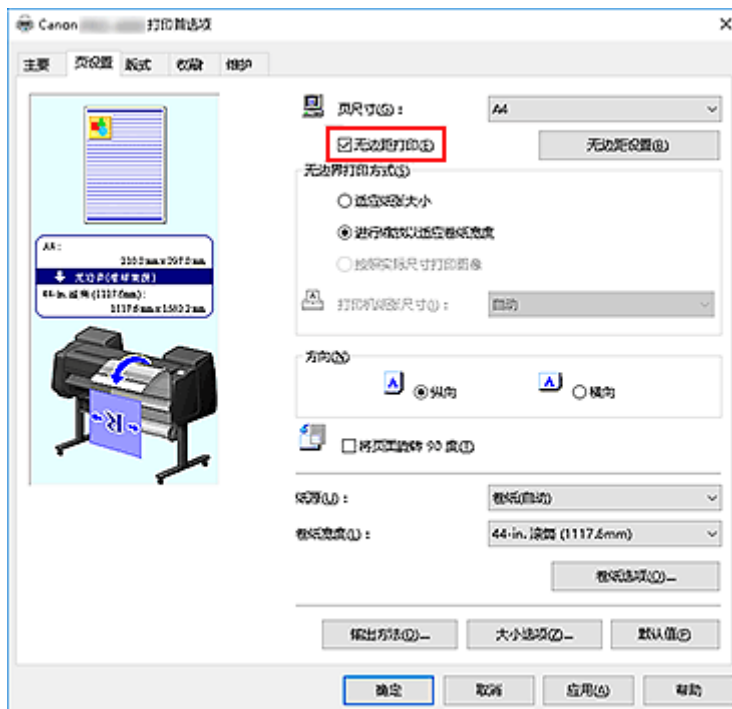
- 根据纸张和下部托盘(卷纸 2)设置或卷纸单元选项设置的不同，可以选择的进纸方法会有所不同。

3. 选择卷纸宽度

对于卷纸宽度，在**卷纸宽度**下输入打印机中设置的值。

4. 选择无边距打印

在**页设置**选项卡中，在**无边距打印**选项旁添加选中标记。



显示**信息**对话框后，在**卷纸宽度**下选择与装入打印机的卷纸宽度相同的纸张宽度，然后单击**确定**。

5. 确定希望图像超出纸张尺寸的程度

根据需要调整**扩展量**。

单击**无边距设置**时，将出现**无边距设置**对话框。

向右拖动滑块将增加扩展量，向左拖动滑块将减少扩展量。

在大多数情况下，建议置于从右边数第二个位置。

重要事项

- 如果**扩展量**滑块位于右边缘，纸张背面可能会弄脏。

6. 选择无边距打印的方法

请在**无边距打印方式**中的**按照实际尺寸打印图像**旁添加选中标记。

7. 完成设置过程

单击**确定**。

作业将以原始尺寸打印且不留白边。

重要事项

- 创建源文档，使该文档的上下左右四边均比用于打印的纸张尺寸长 3 毫米。

重要事项

- 如果选择不支持无边距打印的纸张尺寸，会将其替换为支持整面无边距打印的尺寸。
- 如果在**无边距打印**选项旁添加选中标记，**版式**选项卡中的**页面布局**和**打印居中**选项将显示为灰色且无法设置。
- 根据纸张尺寸的不同，纸张的长/宽比可能会与图像的长/宽比有所不同，导致无法在纸张上打印完整图像。
如果发生这种情况，请使用应用程序软件裁剪图像以符合纸张尺寸。
- 执行无边距打印时，打印可能会突然停止并对纸张进行裁切，导致纸张边缘颜色轻微不均。如果要求极高质量，请在**卷纸选项**对话框的“**自动剪切...**”列表中选择**否**。如果执行上述操作，打印文档时将不留左右页边距。从打印机输出并裁切打印材料后，请使用剪刀裁切上下边缘。
- 根据使用频率的不同，在固墨属性较低的纸张上执行无边距打印时，切刀单元可能会接触到纸张表面，从而划伤纸张并导致纸张裁切不均匀。
通过单击**主要**选项卡上的“**指定...**”，然后在**纸张详细设置**对话框的**干燥时间**下，将**页码范围**设置为较高值可以改善上述情况。
- 如果在启用**自动切换纸张来源(纸张大小优先)**时执行无边距打印，则在**页设置**选项卡的**无边界打印方式**下，只能选择**进行缩放以适应卷纸宽度**。在这种情况下，通常将使用卷纸 1(上部托盘中的卷纸)进行打印。如果卷纸 1 中放置的纸张尺寸或类型不支持无边距打印，则无法执行无边距打印。
- 如果将**卷纸宽度**选择为以下纸张，即使已设置无边距打印，也可能会在文档左右两侧形成边距。
 - **A2/A3 滚筒 (420.0mm)**
 - **16-in. 滚筒 (406.4mm)**
 - **A3+ 滚筒 (329.0mm)**
 - **300mm 滚筒 (300.0mm)**
 - **A3/A4 滚筒 (297.0mm)**
 - **B4 滚筒 (257.0mm)**
 - **8-in. 滚筒 (203.2mm)**

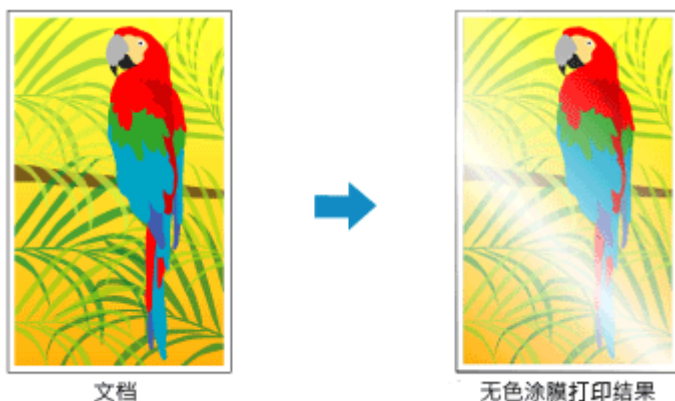
此外，纸张背面可能会出现脏污。

»» 注释

- 使用 Microsoft Word 等可以设置页边距的应用程序时，请将页边距设置为 0 毫米。

更改无色涂膜设置

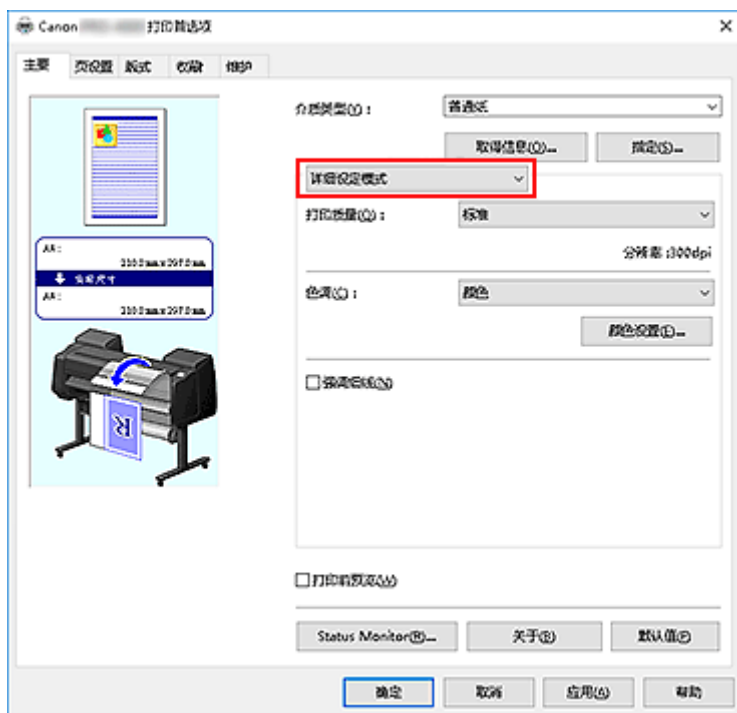
执行无色涂膜时，打印机在打印面上应用晶亮色(CO)墨水，并且可以调整光泽度。



本部分介绍更改无色涂膜设置的步骤。

1. 打开[打印机驱动程序设置窗口](#)
2. 选择详细设定模式

从主要选项卡的下拉菜单中选择详细设定模式。

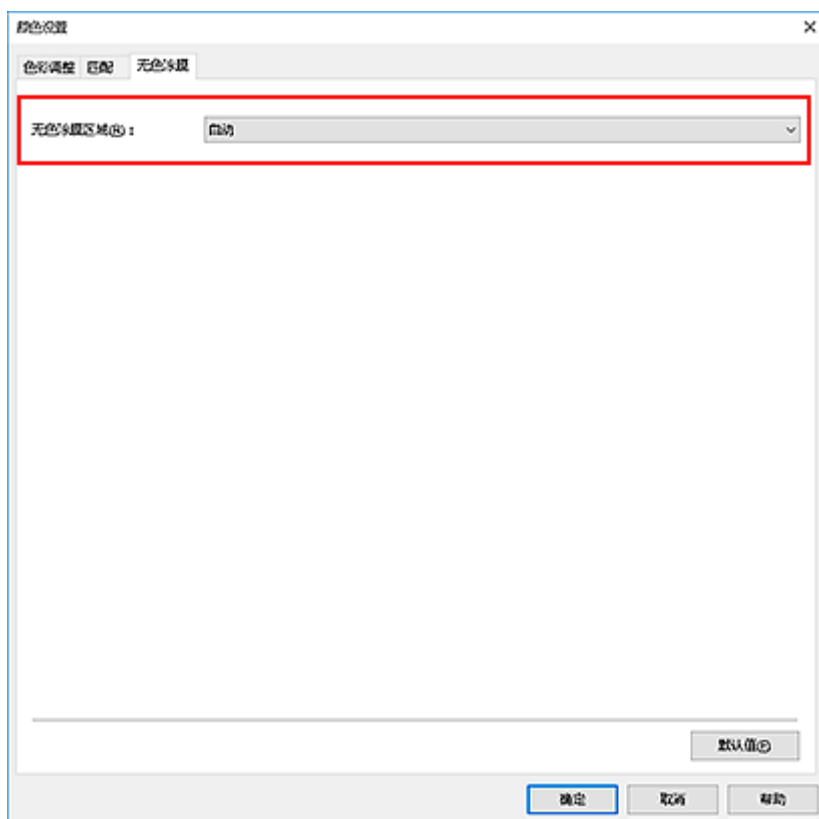


3. 选择色彩模式

在色彩模式中，选择颜色，然后单击颜色设置。
将出现颜色设置对话框。

4. 设置无色涂膜区域

单击**无色涂膜**选项卡，选择合乎用途的**无色涂膜区域**项目(参见以下内容进行选择)，然后单击**确定**。



自动

打印机会自动设置无色涂膜的区域和是否执行无色涂膜。
这可能会减少晶亮色(CO)墨水消耗量或者提高打印速度。

整体

打印机将无色涂膜应用至整个打印区域。
如果选择**自动**后无色涂膜效果不理想，选择**整体**可能会改善结果。

重要事项

- 根据在**主要**选项卡的**介质类型**中选择的纸张类型，可能无法选择**整体**选项卡。
对于可使用**整体**的纸张，请从“纸张信息列表”选择要使用的纸张并查看信息。
- 如果选择了**整体**而介质类型更改为无法使用**整体**时，无色涂膜区域设置变更为**自动**。

5. 完成设置

单击**主要**选项卡上的**确定**。
执行打印后，打印文件时设置的无色涂膜的效果会增加。

打印条幅和横幅(大幅面打印)

通过放大或缩小在应用程序软件中创建的原件可以制作最长 18.0 米的帷幕或条幅。
但是，如果使用的应用程序软件对可以设置的文档尺寸有所限制，则可能无法打印 18.0 米的条幅。

打印条幅和横幅的步骤如下：

按卷纸宽度打印

1. 使用应用程序软件创建文档
2. 打开[打印机驱动程序设置窗口](#)
3. 选择纸张尺寸

在**页尺寸**选项卡的**页设置**中选择与在应用程序软件中创建的原始纸张尺寸相同的尺寸。

如果已在应用程序软件中设置可选尺寸，则在**页尺寸**的**自定义纸张**中选择**自定义大小**，然后在显示的对话框中[指定尺寸](#)。

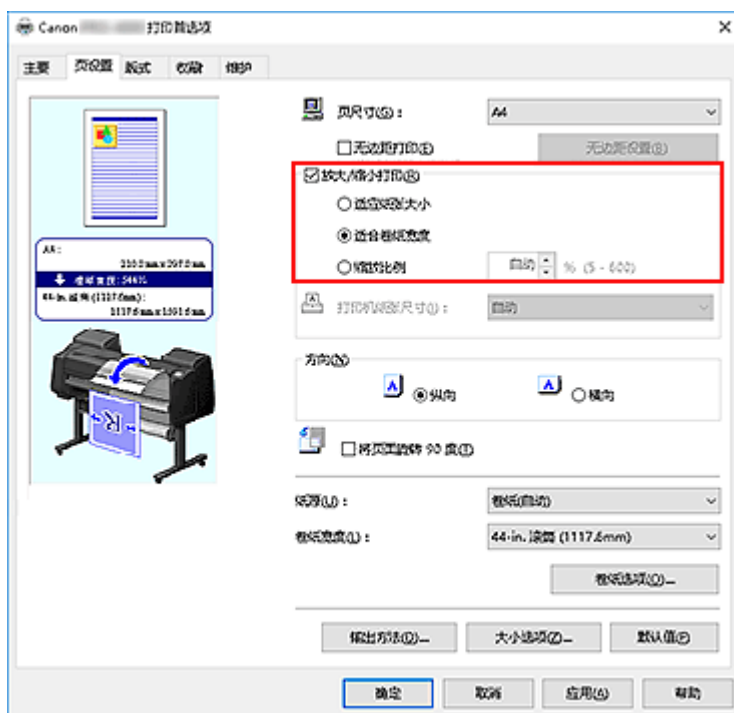
4. 选择卷纸宽度

在**卷纸宽度**下选择与装入打印机的卷纸宽度相同的数值。

5. 设置放大/缩小打印

选中**放大/缩小打印**，然后选择**适合卷纸宽度**。

出现**信息**对话框时，选择与装入打印机的卷纸宽度相同的数值。



6. 完成设置

单击**确定**。

执行打印后，可以根据卷纸打印帷幕或条幅。

放大并打印

1. 注册用户定义的纸张

在**页设置**选项卡下的“**大小选项...**”中同时注册实际所需的打印尺寸(用户定义纸张 1)和在应用程序中创建的原件尺寸(用户定义文档尺寸 2)。

►► 注释

- 请将用户定义纸张 2 设置为与用户定义纸张 1 相同的宽高比。如果宽高比不同，则放大的图像可能不会是预期尺寸。
创建用户定义纸张 1 后，如果在选中**固定宽度与高度的比率**后创建用户定义纸张 2，则可以将这些设置设为相同的宽高比。
此外，将用户定义纸张 2 的尺寸设置为不超过应用程序支持的最大尺寸。
例如，在宽度为 600 毫米、长度为 3,000 毫米的纸张上打印时，请使用以下设置。
(将长度设置为用户定义纸张的 1/6 吋)
 - 用户定义纸张 1: **宽度**为 600 毫米、**高度**为 3,000 毫米
 - 用户定义纸张 2: **宽度**为 100 毫米、**高度**为 500 毫米

2. 在应用程序软件中创建原件

使用已注册的用户定义纸张 2，在应用程序软件中创建原件。

3. 打开打印机驱动程序设置屏幕

4. 选择纸张尺寸

在**页设置**选项卡的**页尺寸**中，通过**自定义纸张**选择已注册的用户定义纸张 1。

5. 完成设置

单击**确定**。

打印时，将使用用户定义尺寸打印条幅或横幅。

►► 注释

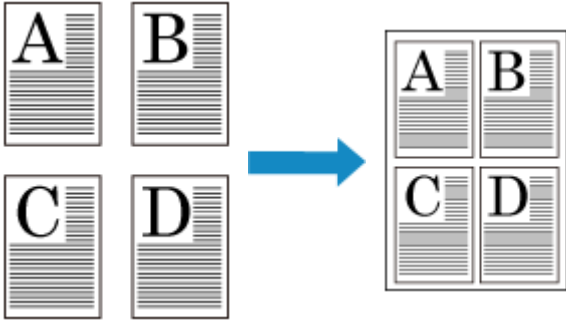
- 可打印的最大长度为 18.0 米。如果放大的长度超过 18.0 米，则不会打印超过该长度的部分图像。
- 如果无法正确执行打印，可以使用**版式**选项卡上的**特别设置**将**FineZoom**设置更改为**是**以提高打印质量。

通过分割/组合文档进行打印

- ▶ 排列并打印多个文档
- ▶ 连接多页打印
- ▶ 在一个页面上打印多页
- ▶ 分割并打印海报

排列并打印多个文档

可以对多个单独创建的文档进行排列，然后在一页上集中打印。

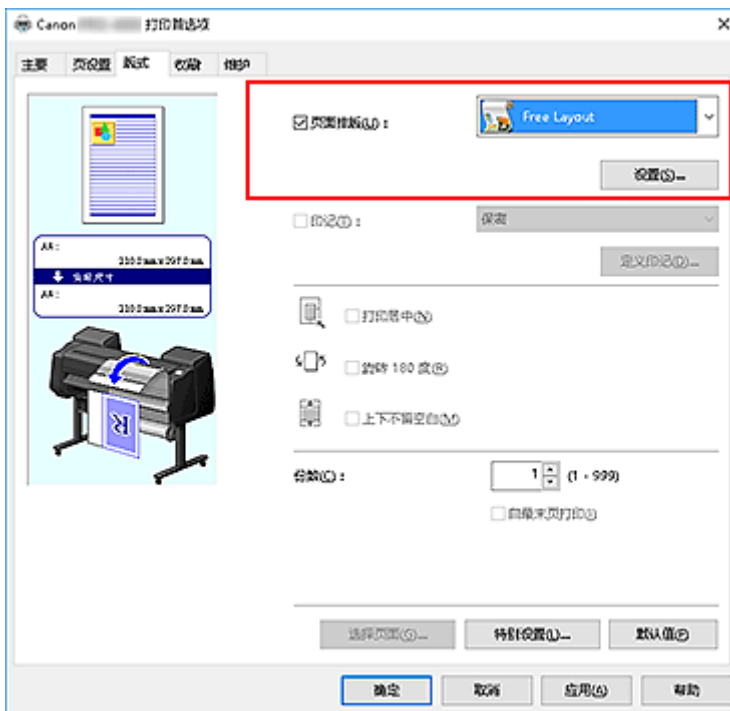


排列并打印多个文档的步骤如下：

1. 打开[打印机驱动程序设置窗口](#)

2. 选择 **Free Layout**

在**版式**选项卡上，选中**页面布局**复选框，然后从下拉菜单中选择 **Free Layout**。



3. 完成设置

单击**确定**。

打印时，Canon imagePROGRAF Free Layout 将启动。Canon imagePROGRAF Free Layout 可以对图像进行编辑和重新排列。

注釋

- 要将多个应用程序软件文档布置在一个页面上，可以在不关闭 Canon imagePROGRAF Free Layout 窗口的情况下，重复执行步骤 1 到 3。

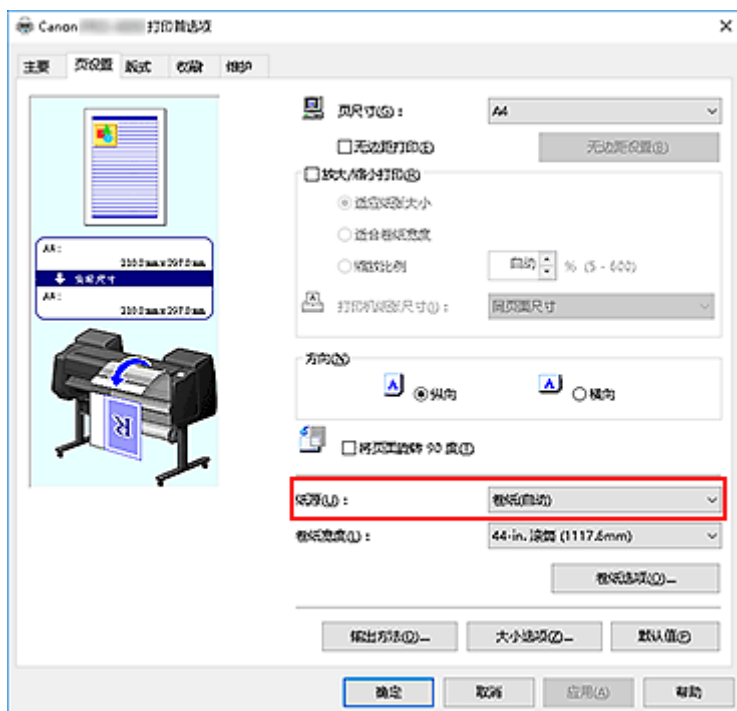
连接多页打印

可以删除多页文档中页面之间的空白，然后将其打印为一个连续文档。

连接多页打印的步骤如下：

1. 打开[打印机驱动程序设置窗口](#)
2. 选择纸张来源

对于纸源选项卡的页设置，从**卷纸(自动)**、**卷纸 1** 和**卷纸 2** 中选择符合使用目的的设置。



重要事项

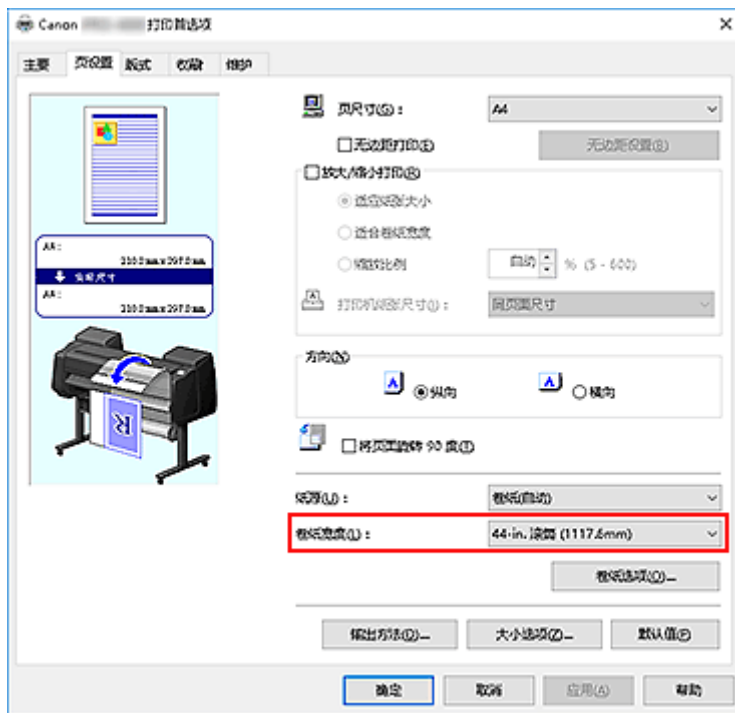
- 根据纸张或下行卷纸(卷纸 2)设置或卷纸单元选项设置，进纸方法会有所不同。

3. 设置卷纸选项

单击**卷纸选项**以显示**卷纸选项**对话框。

选中**条幅打印**复选框，然后单击**确定**。

当前设置显示在**页设置**选项卡左侧的设置预览中。



4. 完成设置

单击页设置选项卡上的**确定**。

打印时，将使用已设置的打印条件打印文档。

在一个页面上打印多页

页面布局打印功能可以在一张纸上打印多页图像。

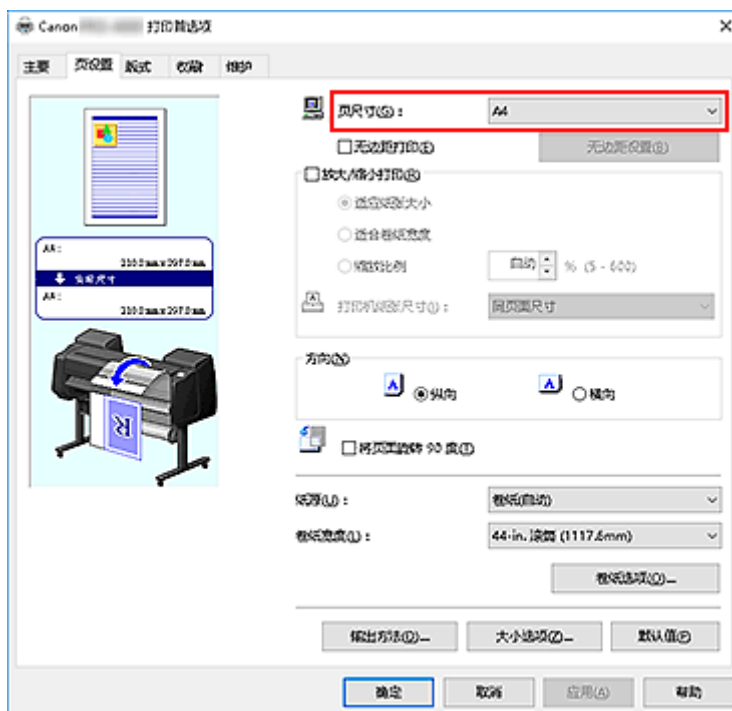


在一个页面上打印多页的步骤如下：

1. 打开[打印机驱动程序设置窗口](#)

2. 选择打印纸张尺寸

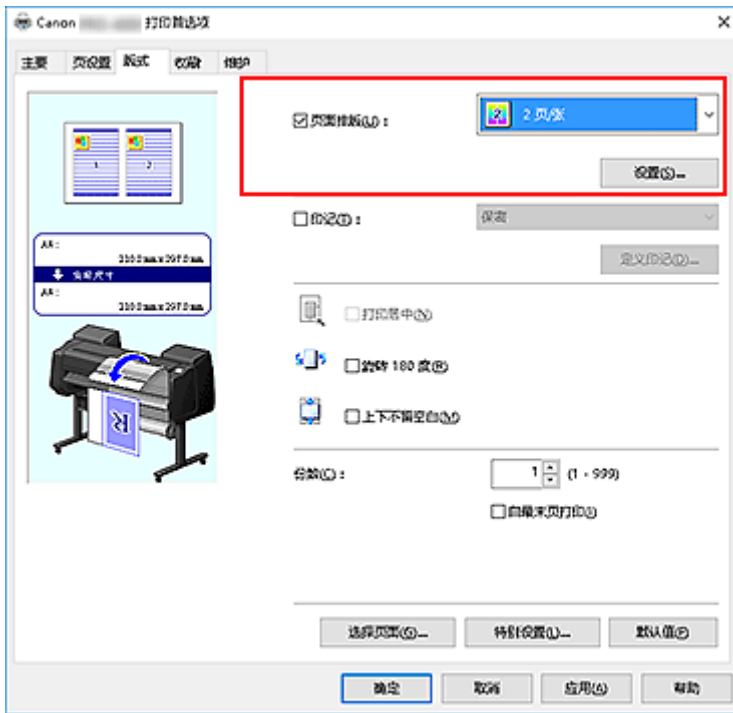
从[页设置](#)选项卡上的页尺寸列表中，选择已装入打印机的纸张尺寸。



3. 设置每一张纸上要打印的页数

在[版式](#)选项卡上，选中[页面布局](#)复选框，然后从下拉菜单中选择 **2 页/张**、**4 页/张**、**6 页/张**、**8 页/张**、**9 页/张**或 **16 页/张**。

当前设置显示在窗口左侧的设置预览中。

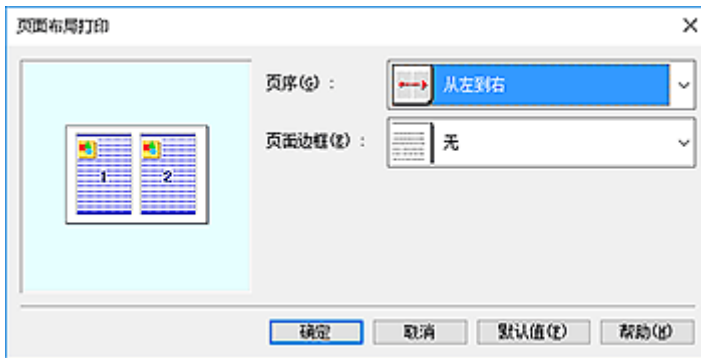


注释

- 使用 XPS 打印机驱动程序时，无法使用 8 页/张。

4. 设置在单页上要打印的页数和页序

如有必要，单击“设置...”，在**页面布局打印**对话框中指定以下设置，然后单击**确定**。



页序

要更改页面排列顺序，请从列表中选择一种放置方法。

页面边框

要在各文档页面周围打印页面边框，请选中该复选框。

5. 完成设置

单击**版式**选项卡上的**确定**。

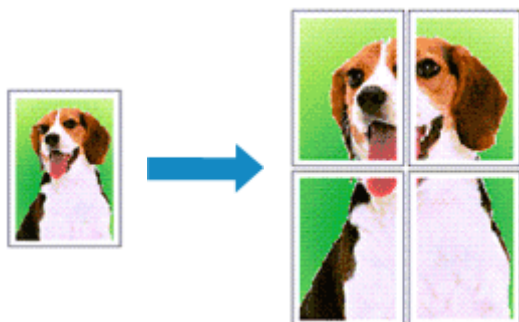
当执行打印时，将按照指定顺序在每页纸张上排列指定数目的页面。

重要事项

- 如果**页设置**选项卡上**条幅打印**旁已有选中标记，则**页面布局**将显示为灰色且无法设置。

分割并打印海报

平铺/海报打印功能可以放大图像数据，将放大后的数据分成几页并分别打印在单独的纸张上。可以将多页粘贴在一起制作大型印刷品，如海报。



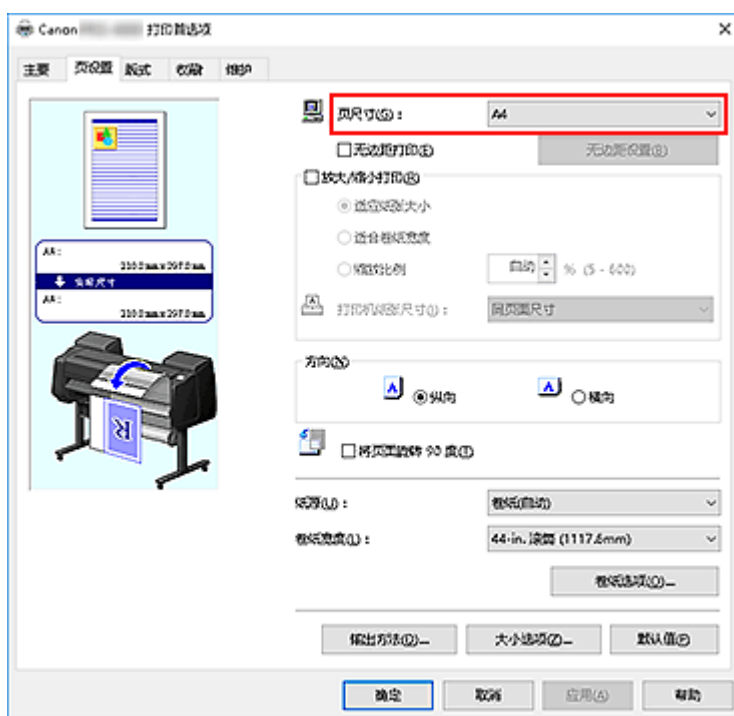
分割并打印海报的步骤如下：

用于分割并打印海报的设置

1. 打开[打印机驱动程序设置窗口](#)

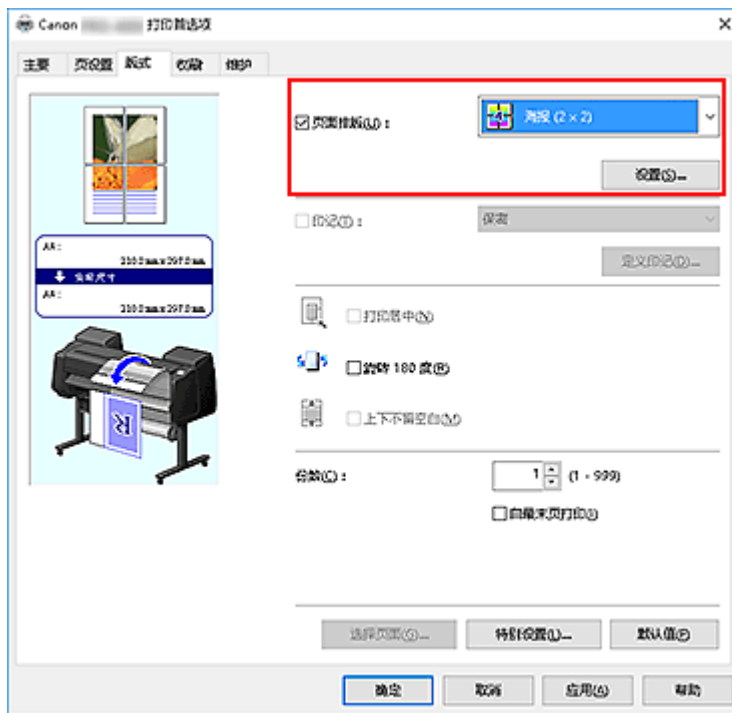
2. 选择打印纸张尺寸

从**页设置**选项卡上的**页尺寸**列表中，选择已装入打印机的纸张尺寸。



3. 设置分割数目

在**版式**选项卡上，选中**页面布局**复选框，然后从下拉菜单中选择**海报(1 x 2)**或**海报(2 x 2)**。当前设置显示在窗口左侧的设置预览中。



4. 完成设置

单击页设置选项卡上的**确定**。

当执行打印时，打印过程中文档将被分割成多个页面。

重要事项

- 如果页设置选项卡上条幅打印旁已有选中标记，则页面布局将显示为灰色且无法设置。

仅打印指定页面

如果打印期间墨水变得暗淡或耗尽，您可以仅重新打印指定的页面，步骤如下：

1. 显示指定页面对话框

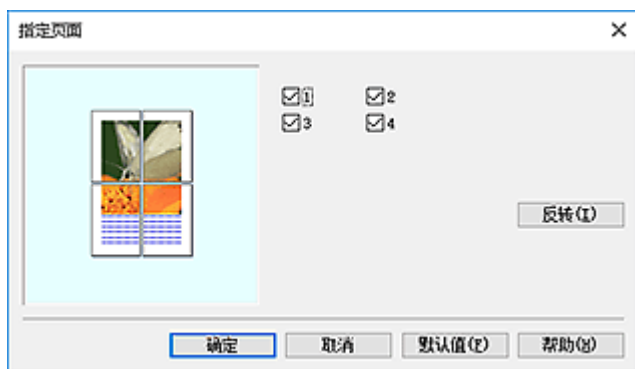
在**页面布局**中，单击**设置**以显示**指定页面**对话框。

2. 设置打印范围

清除不想打印的页面的复选框。

在设置视图中，将删除被清除的页面，仅显示要打印的页面。

选中要打印的页面，然后单击**确定**。



注釋

- 在指定页面对话框左侧的设置视图中，还可以通过单击不想打印的页面清除显示。要重新显示已清除的页面，请再次单击该页面。
- 要将页面切换为显示/隐藏，请单击指定页面对话框中的**反转**。

3. 完成设置

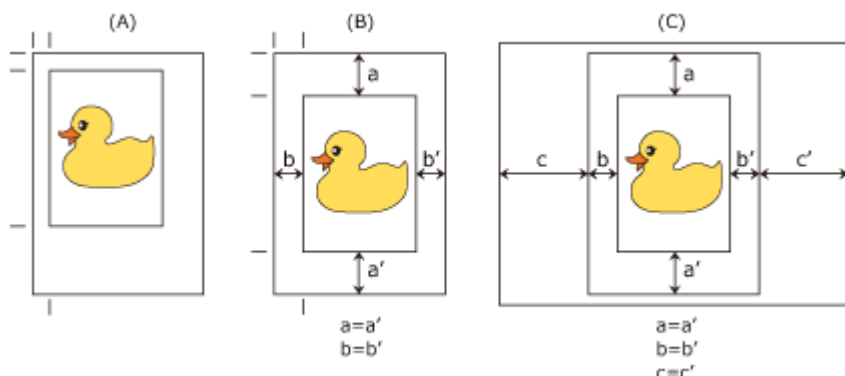
单击版式选项卡上的**确定**。
打印时，仅打印指定的页面。

重要事項

- 如果分割并打印为海报，则源文档会以放大样式打印，因此打印效果可能会变得粗糙。

居中打印文档

如果希望将源文档置于单页纸中央进行打印，或者相对于卷纸宽度左右等边距打印，请使用**打印居中**功能。使用**打印居中**设置时的打印效果如下。通常，如果按(A)打印时设置**打印居中**，则按(B)打印单页纸，按(C)打印卷纸。



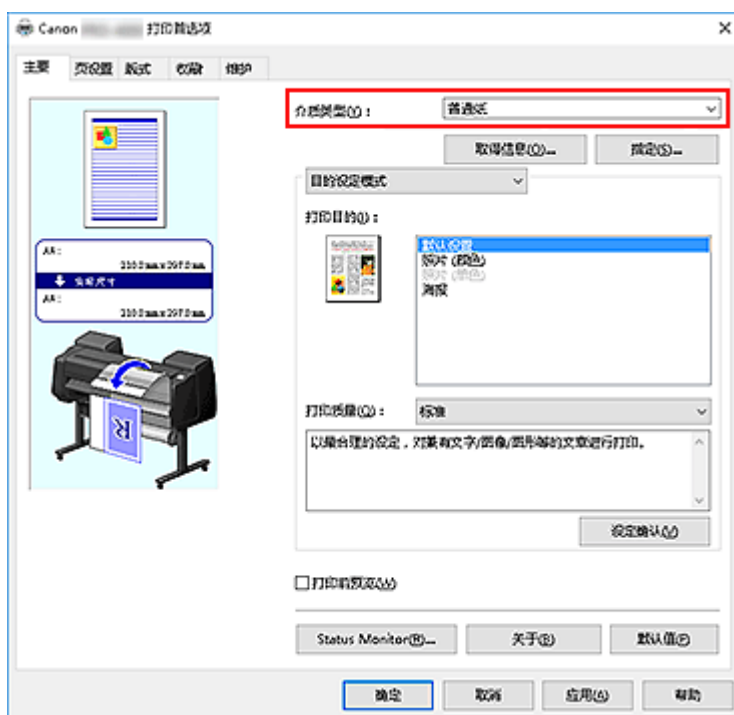
注

- 在**页设置**选项卡上的**放大/缩小打印**中，使用**缩放比例**设置缩放并打印时，放大/缩小的起始点将始终固定在该页面的左上角。因此，缩小打印时，纸张的下边距和右边距将增大。此时，如果在**版式**选项卡上的**打印居中**旁添加选中标记，将平均打印纸张的上下左右四边。

居中打印的步骤如下：

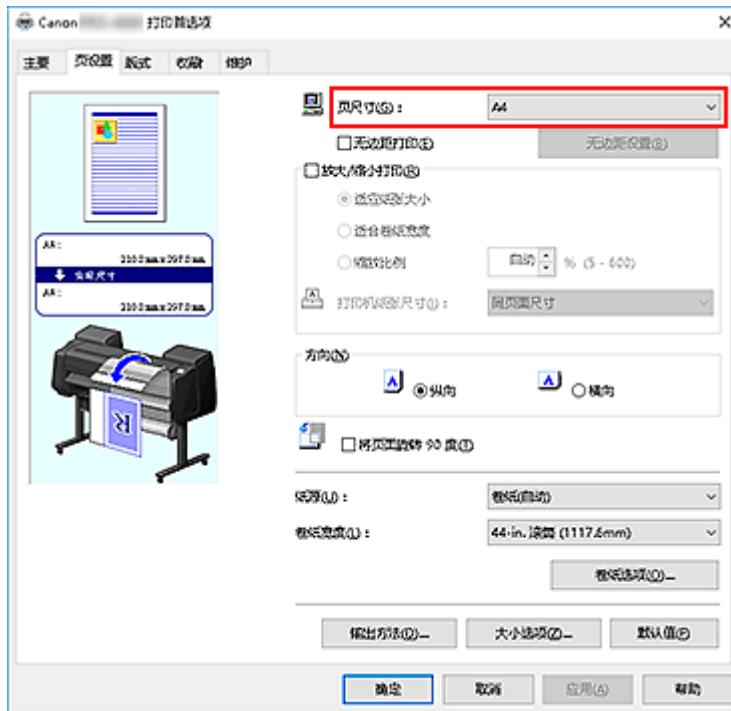
1. 打开[打印机驱动程序设置窗口](#)
2. 选择介质类型

从**主要**选项卡的**介质类型**列表中选择装入打印机的纸张类型。



3. 选择纸张尺寸

从**页设置**选项卡上的**页尺寸**中，选择要打印的纸张尺寸。



4. 根据需要设置缩放

如有必要，请在**放大/缩小打印**旁添加选中标记，然后根据目的进行设置。

5. 选择纸张来源

对于**纸源**，选择符合使用目的的设置。

重要事项

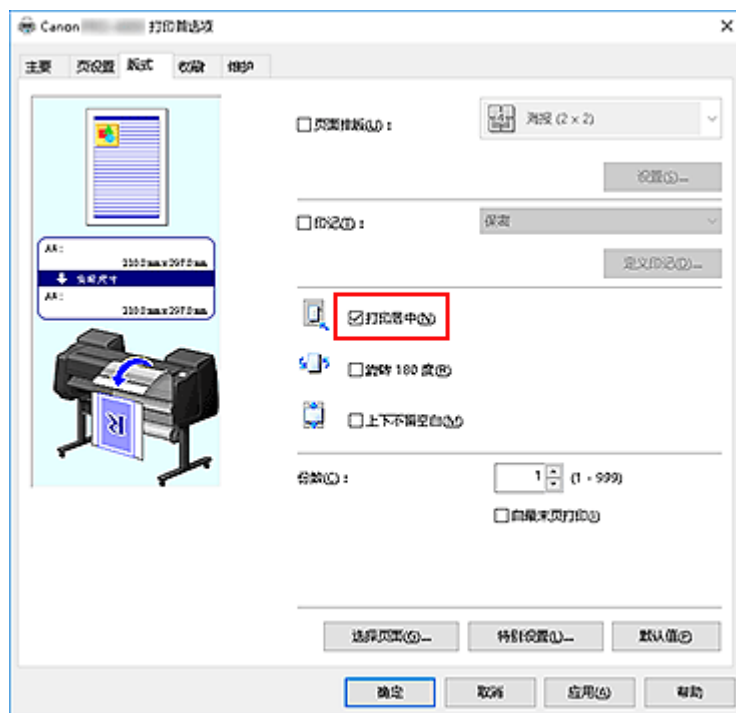
- 根据纸张或下行卷纸(卷纸 2)设置或卷纸单元选项设置，进纸方法会有所不同。

6. 选择卷纸宽度

如果将**纸源**选择为卷纸，请将**卷纸宽度**设置为装入打印机的卷纸宽度。

7. 居中打印文档

在**版式**选项卡上选择**打印居中**复选框。



8. 完成设置

单击**确定**。

打印时，将居中打印文档。

节省卷纸进行打印

- ▶ 通过将文档旋转 90 度节省卷纸
- ▶ 通过去除文档上下页边距节省卷纸

通过将文档旋转 90 度节省卷纸

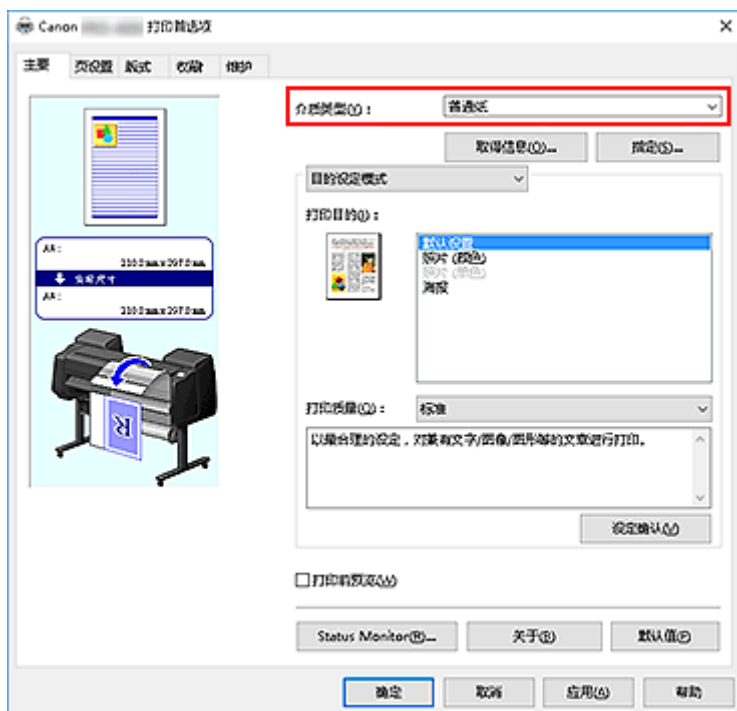
在卷纸上打印纵向文档时，可以将文档旋转 90 度，相当于将文档横放在纸张上进行打印以节省纸张。

将文档旋转 90 度以节省纸张的步骤如下：

1. 打开[打印机驱动程序设置窗口](#)

2. 选择介质类型

从**主要**选项卡的**介质类型**列表中选择装入打印机的纸张类型。



3. 选择纸张尺寸

从**页设置**选项卡的**页尺寸**列表中，选择与使用应用程序软件创建的文档相同的尺寸。

4. 选择纸张来源

对于**纸源**选项卡的**页设置**，从**卷纸(自动)**、**卷纸 1**和**卷纸 2**中选择符合使用目的的设置。

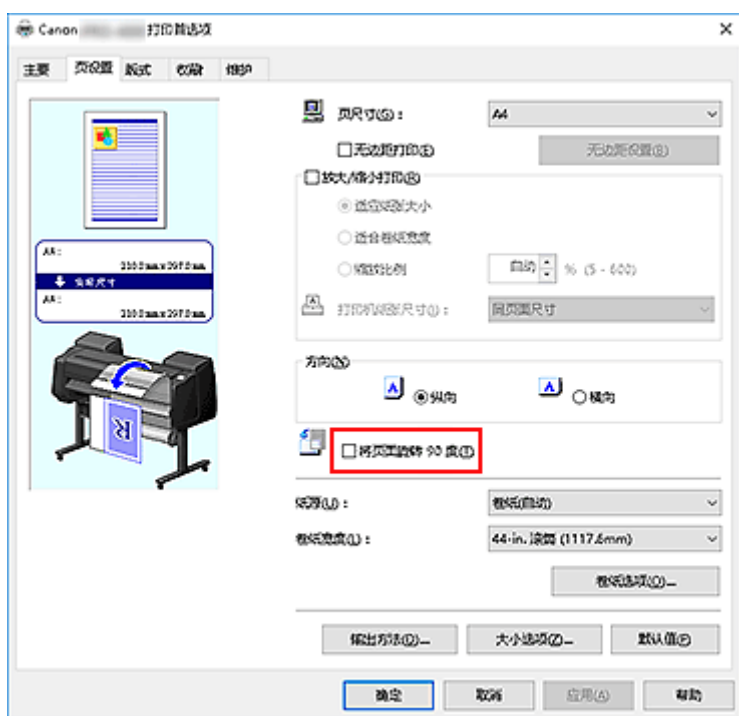
重要事项

- 根据纸张或下行卷纸(卷纸 2)设置或卷纸单元选项设置，进纸方法会有所不同。

5. 选择节省纸张

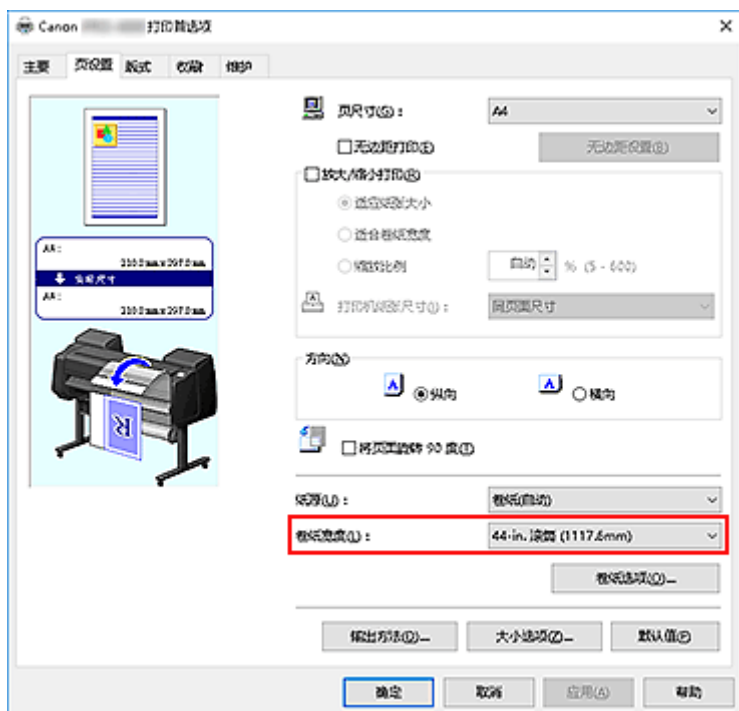
选中**将页面旋转 90 度**复选框。

当前设置显示在窗口左侧的设置预览中。



6. 选择卷纸宽度

在卷纸宽度中，选择装入打印机的卷纸宽度。



7. 完成设置

单击**确定**。

打印时，可以将纵向文档旋转 90 度以节省纸张。

重要事项

- 如果页设置选项卡上的条幅打印旁有选中标记，则将页面旋转 90 度将显示为灰色且无法设置。

- 从**页设置**选项卡中选择**页尺寸**为纵向格式的纸张时，如果垂直方向上的长度超过在**卷纸宽度**中选定的宽度，则即使在**将页面旋转 90 度**旁添加选中标记，也不会旋转该页面。

通过去除文档上下页边距节省卷纸

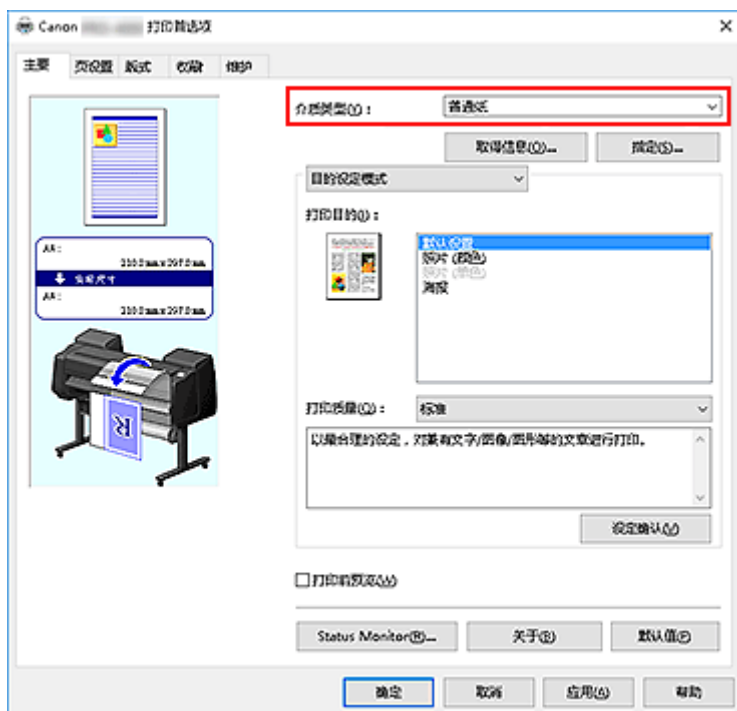
在卷纸上打印时，可以通过在打印时去除上下页边距以节省纸张。

通过去除上下页边距节省纸张的步骤如下：

1. 打开[打印机驱动程序设置窗口](#)

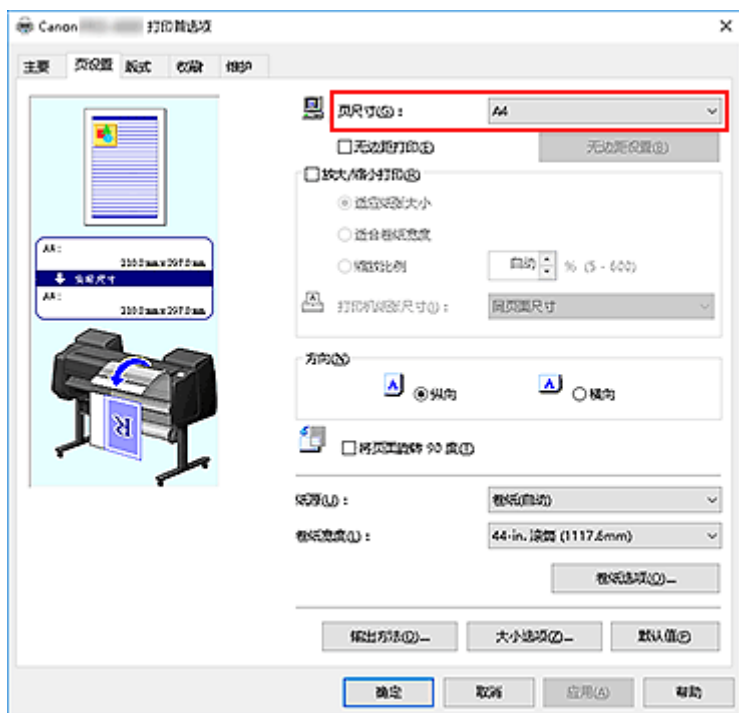
2. 选择介质类型

从**主要**选项卡的**介质类型**列表中选择装入打印机的纸张类型。



3. 选择纸张尺寸

从**页设置**选项卡的**页尺寸**列表中，选择与使用应用程序软件创建的文档相同的尺寸。



4. 选择纸张来源

对于纸源选项卡的页设置，从卷纸(自动)、卷纸 1 和卷纸 2 中选择符合使用目的的设置。

重要事项

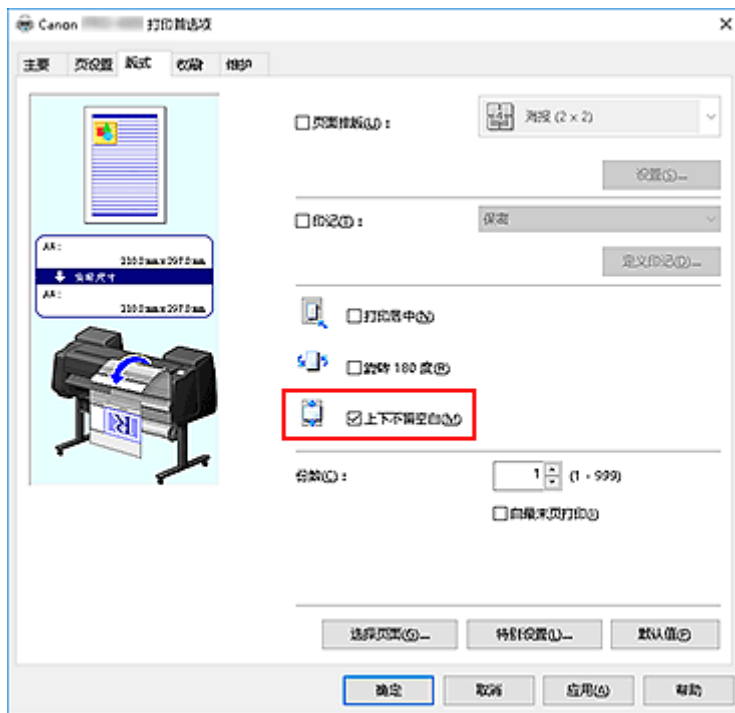
- 根据纸张或下行卷纸(卷纸 2)设置或卷纸单元选项设置，进纸方法会有所不同。

5. 选择卷纸宽度

在卷纸宽度中，选择装入打印机的卷纸宽度。

6. 选择节省纸张

在版式选项卡上，选中上下不留空白复选框。
当前设置显示在窗口左侧的设置预览中。



7. 完成设置

单击**确定**。

打印时，将去除文档上下页边距以便节省纸张。

转换符合用途的纸张来源

本打印机具有三个纸张来源：卷纸 1、卷纸 2 和单页纸。

您可以通过选择符合您的介质类型或用途的纸张来源设置来使打印变得更加简便。

设置纸张来源的步骤如下：

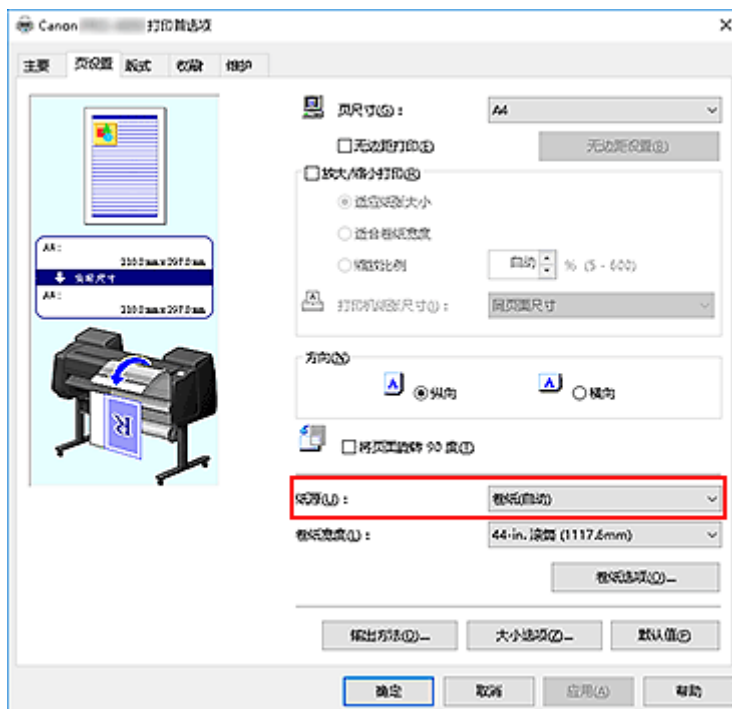
1. 打开[打印机驱动程序设置窗口](#)

2. 选择介质类型

从**主要**选项卡的**介质类型**列表中选择装入打印机的纸张类型。

3. 选择纸张来源

从**页设置**选项卡上的**纸源**列表中，选择符合使用目的的纸张来源。



卷纸(自动)

根据打印作业，在卷纸 1 和卷纸 2 之间自动切换进行进纸。

卷纸 1

从卷纸 1 进纸。

卷纸 2

从卷纸 2 进纸。

单页纸

使用单页纸进纸。

»»» 重要事项

- 根据纸张或下行卷纸(卷纸 2)设置或卷纸单元选项设置，进纸方法会有所不同。

4. 完成设置

单击**确定**。

当执行打印时，打印机使用指定的纸张来源打印数据。

»» 注释

- 如果打印机驱动程序中的纸张设置与打印机上注册的纸张信息不同，打印机的操作面板上可能会出现错误信息。打印仍可进行，但可能无法获得正确的打印结果。

打印前显示打印效果

如果正在使用 XPS 打印机驱动程序，则无法使用此功能。

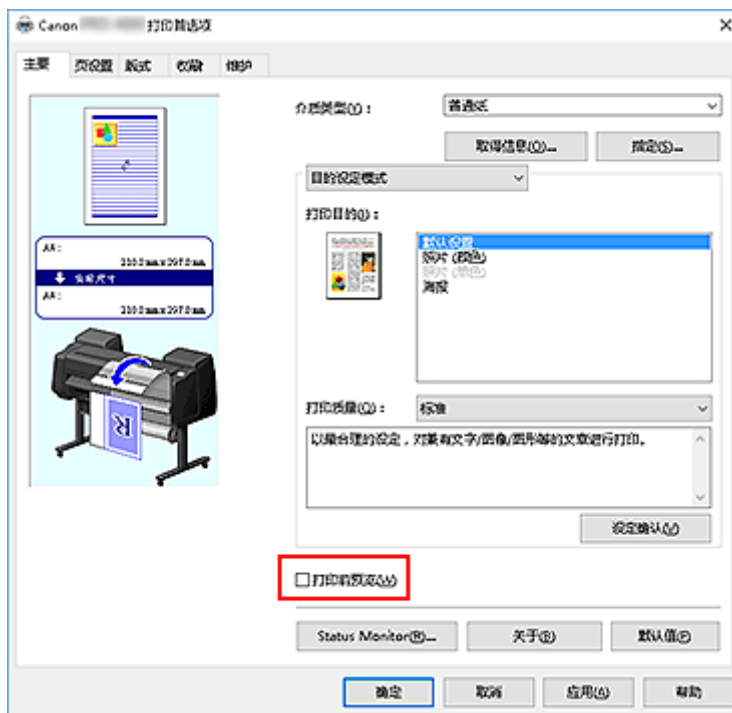
您可以在打印前显示并查看打印效果。

打印前显示打印效果的步骤如下：

1. 打开[打印机驱动程序设置窗口](#)

2. 设置预览

选中主要选项卡上的打印前预览复选框。



3. 完成设置

单击**确定**。

执行打印时，Canon imagePROGRAF Preview 打开并显示打印效果。

相关主题

■ [Canon imagePROGRAF Preview](#)

其他便捷设置

- ▶ 印记打印
- ▶ 设置页尺寸和方向
- ▶ 注册常用打印配置文件
- ▶ 打印后裁切卷纸

印记打印

当使用某些打印机驱动程序或操作环境时，该功能可能不可用。

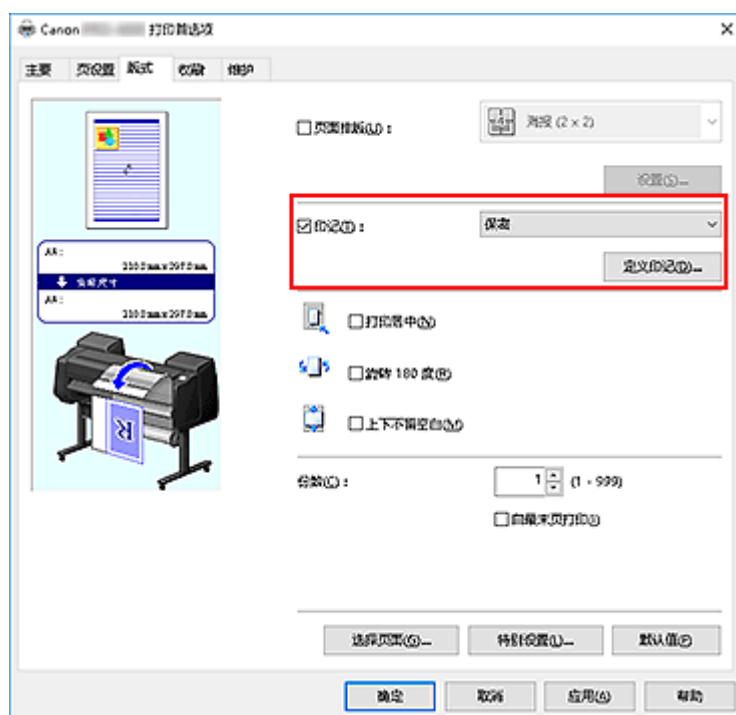
印记功能可以在文档数据之上或之下打印印记文本或位图。该功能可以打印日期、时间和用户名称。已预先注册“保密”、“重要”等公司里常用印记。

进行印记打印的步骤如下：

1. 打开打印机驱动程序设置窗口

2. 选择印记

在版式选项卡上，选中印记复选框，然后从列表中选择要使用的印记。当前设置显示在版式选项卡左侧的设置预览中。



3. 完成设置

单击**确定**。

当执行打印时，将以指定的印记打印数据。

注册印记

当使用某些打印机驱动程序或操作环境时，该功能可能不可用。

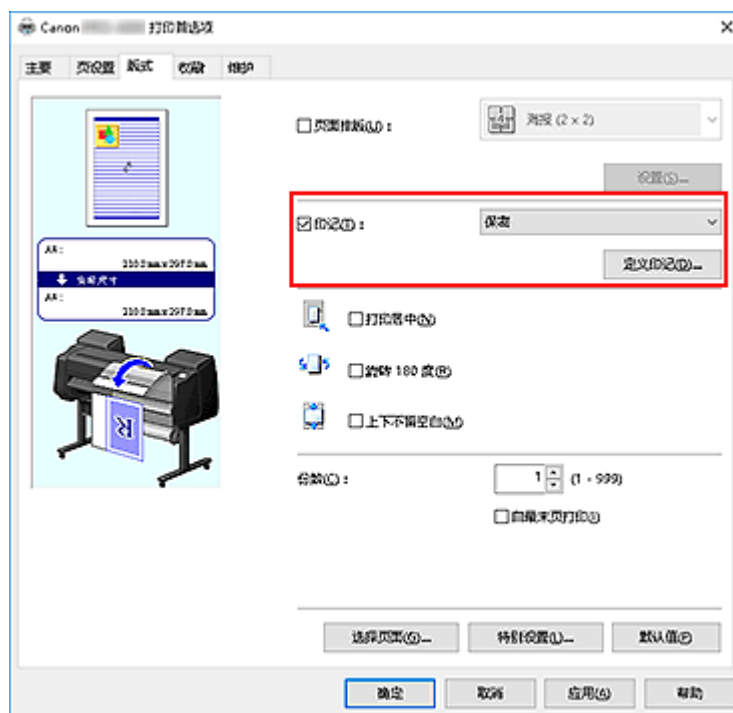
您可以创建并注册新的印记。您也可以更改和重新注册现有印记的某些设置。不需要的印记可以随时删除。

注册新印记的步骤如下：

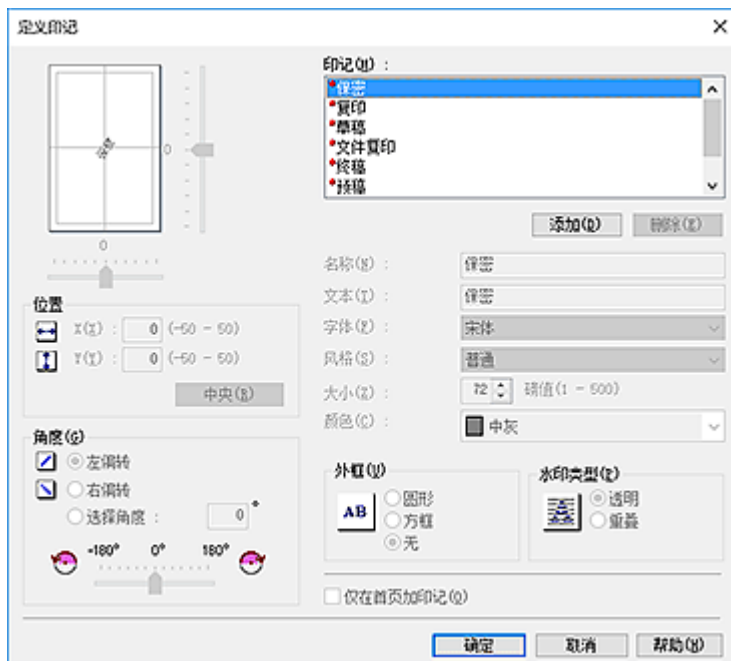
注册新的印记

1. 打开[打印机驱动程序设置窗口](#)
2. 选择印记

在版式选项卡上，选中印记复选框，然后单击“定义印记...”。



定义印记对话框打开。



3. 设置印记详细信息

单击**添加收藏夹**以将新印记(无题)添加至列表。

在**名称**中输入要注册的印记名称，在**文本**中输入要用作印记的字符串。

根据需要更改**字体**、**大小**和**颜色**设置。

4. 设置其他项目

根据需要设置以下项目。

外框

选择围绕印记文本串的外框。

水印类型

选择印记打印方法。

选择**透明**可以在文档下层打印印记，选择**重叠**可以在文档上层打印印记。

位置

指定页面上的印记位置。

在**X**和**Y**中输入数值以设置坐标，或者向左右或上下拖动水平和垂直滑块更改设置。

角度

设置印记放置角度。

在**选择角度**中输入数值以设置角度，或左右拖动滑块以更改设置。

输入-180到180范围内的数值以设置角度。

仅在首页加印记

要仅在首页打印印记，请选中该复选框。

5. 完成设置

单击**确定**以返回**版式**选项卡。

已注册的标题出现在**印记**列表中。

更改并注册部分印记设置

1. 选择印记

在**版式**选项卡上，选中**印记**复选框，然后单击“**定义印记...**”。**定义印记**对话框打开。

2. 选择要更改设置的印记

从**水印列表**中选择要更改设置的印记的标题。

3. 查看预览时进行各项设置

4. 完成设置

单击**确定**以返回**版式**选项卡。
已注册的标题出现在**印记**列表中。

»» 注释

- 不能更改注册为默认设置的印记。

删除不需要的印记

1. 选择印记

在**版式**选项卡上，选中**印记**复选框，然后单击“**定义印记...**”。**定义印记**对话框打开。

2. 选择要删除的印记

选择要从**水印列表**中删除的标题，然后单击**删除**。
出现确认信息时，请单击**是**。

3. 完成设置

单击**确定**以返回**版式**选项卡。

»» 注释

- 不能删除注册为默认设置的印记。

设置页尺寸和方向

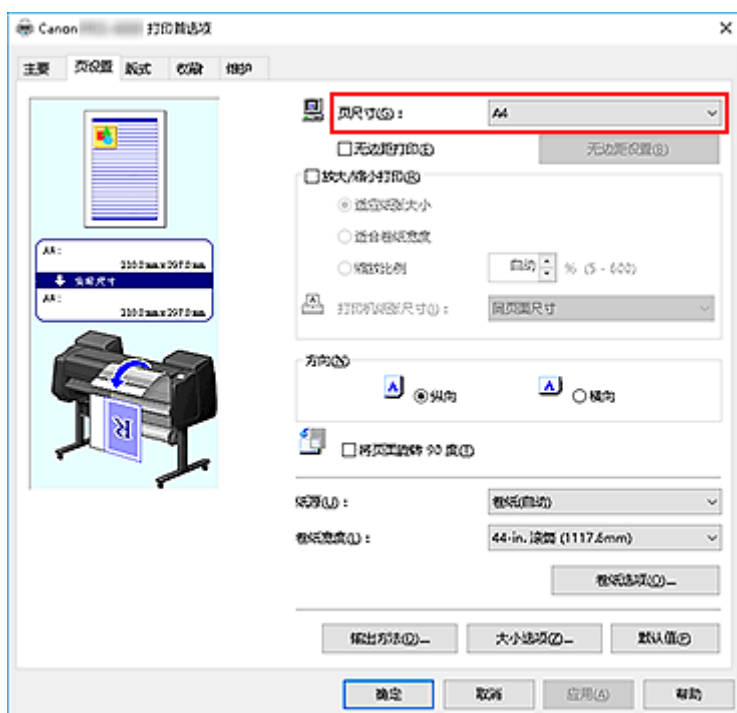
页尺寸和方向主要由应用程序软件决定。当**页设置**选项卡上的**页尺寸和方向**的设置与应用程序软件中的设置一致时，则无需在**页设置**选项卡上进行选择。

当您无法在应用程序软件中指定这些设置时，请按照以下步骤选择页尺寸和方向：

1. 打开[打印机驱动程序设置窗口](#)

2. 选择纸张尺寸

从**页设置**选项卡上的**页尺寸**列表中选择一种纸张尺寸。



3. 设置方向

选择方向为**纵向**或**横向**。要将原稿旋转 90 度执行打印时，请选中**将页面旋转 90 度**复选框。

4. 完成设置

单击**确定**。

当执行打印时，将按照所选的页尺寸和方向打印文档。

注册常用打印配置文件

可以将常用的打印设置注册到**收藏**。不需要的打印配置文件可以随时删除。

注册打印配置文件的步骤如下：

注册打印配置文件

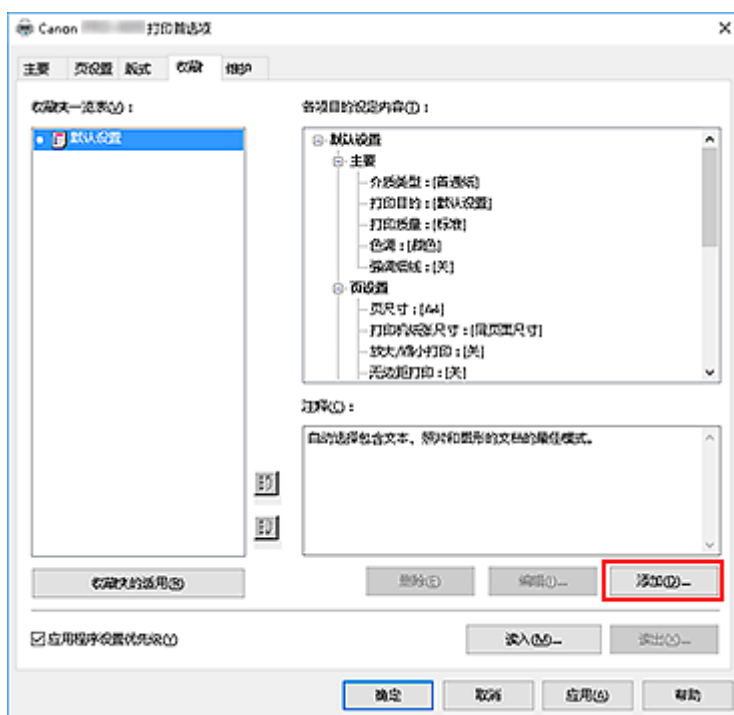
1. 打开[打印机驱动程序设置窗口](#)

2. 设置必要的项目

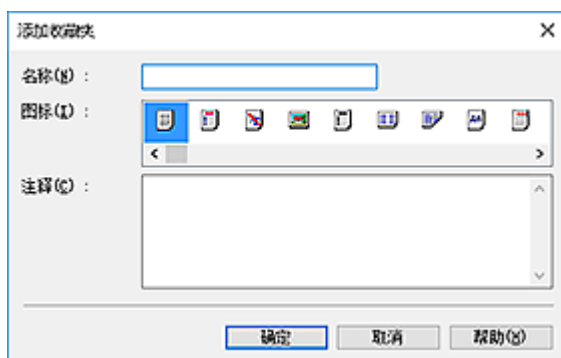
在**主要**选项卡、**页设置**选项卡和**版式**选项卡上，指定要注册的打印设置。

3. 将显示**添加收藏夹**对话框

在**收藏**选项卡上，单击“**添加收藏夹...**”。



添加收藏夹对话框打开。



4. 注册收藏设置

在**名称**中，输入收藏设置的名称。根据需要设置**图标**和**注释**字段，然后单击**确定**。
名称和图标将出现在**收藏**列表中。
要查看已注册到收藏夹的设置，请单击**各项目的设定内容**。

»» 注释

- 要将收藏设置保存到文件，请单击**收藏**选项卡上的“**读出...**”。

使用收藏设置打印

1. 打开打印机驱动程序设置窗口

2. 应用收藏设置

从**收藏**选项卡上的**收藏**列表中，选择要使用的收藏设置。
单击**收藏夹的适用**以替换注册过的打印设置。

3. 完成设置

单击**确定**。
打印时，将使用已注册的收藏设置打印文档。

删除不需要的打印配置文件

1. 选择要删除的收藏设置

从**收藏**选项卡上的**收藏**列表中，选择要删除的收藏设置。

2. 删除设置

单击**删除**。出现确认信息时，单击**确定**。
所选的收藏设置将从**收藏**列表中删除。

»» 注释

- 无法删除注册在初始设置中的打印配置文件。
- 无法删除应用于当前打印设置的收藏设置。要删除该收藏设置，请从**收藏**列表中选择其他收藏设置，单击**收藏夹的适用**以应用其他收藏设置，然后删除目标收藏设置。

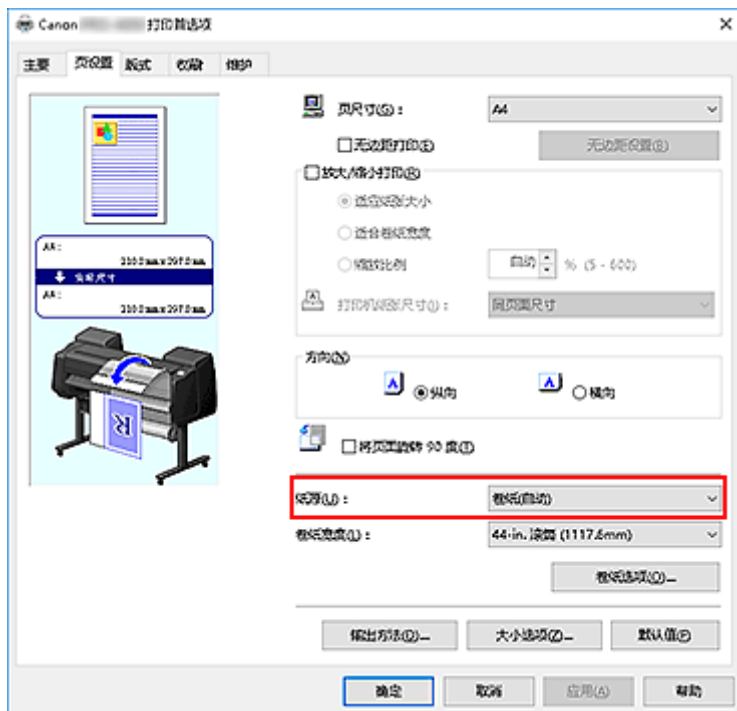
打印后裁切卷纸

自动裁切卷纸和打印裁切线的步骤如下：

1. 打开[打印机驱动程序设置窗口](#)

2. 选择纸张来源

对于纸源选项卡的页设置，从**卷纸(自动)**、**卷纸 1** 和**卷纸 2** 中选择符合使用目的的设置。



重要事项

- 根据纸张或下行卷纸(卷纸 2)设置或卷纸单元选项设置，进纸方法会有所不同。

3. 将显示**卷纸选项**对话框

单击**卷纸选项**以显示**卷纸选项**对话框。



4. 设置自动剪切

从**自动裁切**中选择符合使用目的的项目。

当前设置显示在**页设置**选项卡左侧的设置预览中。

- **是**
打印后自动裁切卷纸。
- **否**

打印后不裁切卷纸。

- **打印裁切线**

打印裁切线以在打印后手动裁切卷纸。

»» 注释

- 自动裁切的默认设置为**是**。


完成设置后，单击**确定**以返回**页设置**选项卡。

5. 完成设置

单击**页设置**选项卡上的**确定**。

打印时，会在打印完成后自动裁切卷纸或打印裁切线。

从计算机打印 (Mac OS)

- ▶ 使用简易设置进行打印  **基础**
 - [变更介质类型](#)
- ▶ 设置打印份数和打印顺序
- ▶ 通过卷纸单元使用双卷纸
 - 关于双卷纸切换
 - 根据用途设置打印机中的卷纸
 - 通过自动切换上行和下行卷纸进行打印
 - 如何切换卷纸
 - 将卷纸单元设置反映至打印机驱动程序
- ▶ 更改打印质量及修正图像数据
 - 调整色彩平衡
 - 设置打印质量级别(用户定义)
 - 用单色打印彩色文档
 - 调整色调
 - 指定色彩修正
 - 调节亮度
 - 调节对比度
- ▶ 比例打印
- ▶ 打印超大尺寸纸张
- ▶ 设置纸张尺寸(用户定义尺寸)
- ▶ 打印范围
- ▶ 根据情况执行无边距打印
 - 根据卷纸宽度执行无边距打印
 - 执行无边距全尺寸打印
- ▶ 更改无色涂膜设置
- ▶ 打印条幅和横幅(大幅面打印)

- ▶ **通过分割/组合文档进行打印**
 - 排列并打印多个文档
 - 连接多页打印
 - 在一个页面上打印多页
- ▶ **居中打印文档**
- ▶ **节省卷纸进行打印**
 - 通过将文档旋转 90 度节省卷纸
 - 通过去除文档上下页边距节省卷纸
- ▶ **转换符合用途的纸张来源**
- ▶ **打印后裁切卷纸**

从打印机打印

- ▶ 从 **USB 闪存** 打印

从 USB 闪存打印

- ▶ 打印保存在 USB 闪存上的数据
- ▶ 使用操作面板设置打印项目

打印保存在 USB 闪存上的数据

可以轻松打印保存在 USB 闪存上的照片数据(JPEG 文件)或文档数据(PDF 文件)。

»» 注释

- 可打印 PDF/JPEG 文件的限制

- PDF 文件:

符合 V 1.7 的文件

-不支持套印或部分透明处理。

-建议字体嵌入。如果字体未嵌入,则将使用以下任一内嵌字体进行更换。

Times-Roman、Helvetica、Courier、Symbol、Times-Bold、Helvetica-Bold、Courier-Bold、ZapfDingbats、Times-Italic、Helvetica-Oblique、Courier-Oblique、Times-BoldItalic、Helvetica-BoldOblique、Courier-BoldOblique

- JPEG 文件:

符合 JFIF 1.02 的文件

支持符合以下条件的文件。

-处理方法:基本 DCT

-色彩模式:RGB/灰度

-色彩数量:24 位/8 位

-像素数量:19200 或更少(垂直和水平)

不支持部分采样

1. [确保打印机已开启。](#)

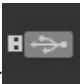
2. 装入纸张。

- [在卷纸支架上装入卷纸](#)

- [将上行卷纸装入打印机](#)

- [在打印机中装入单页纸](#)

3. 将 USB 闪存插入 USB 闪存端口。

4. 滑动主页屏幕,然后单击  从 USB 闪存打印。

- [菜单操作](#)

»» 注释

- 显示已启用操作限制的通知信息时,请询问打印机的管理员。
- 如果 USB 闪存上没有保存可打印的数据, **没有可打印的文件**。会显示在触摸屏上。

5. 在显示的屏幕上点击要打印的文件夹或数据。

点击文件夹可显示数据列表。 点击要打印的数据。

►► 注释

- 如果点击的文件夹中没有保存可打印的数据，**没有可打印的文件**。会显示在触摸屏上。

出现以下屏幕。



A. 份数

点击以显示以下屏幕并指定份数。



B. 预览

点击以在预览屏幕上预览打印输出的图像。

C. 设置

点击以显示**设置**屏幕。

可以更改打印设置。



有关设置项目的更多信息，请参见：

- [使用操作面板设置打印项目](#)

6. 点击**开始打印**。

打印机开始打印。

注 释

- 点击所显示屏幕上的**是**以返回第 5 步。 点击文件夹或数据进行打印。
- 点击**否**返回到主页屏幕。

使用操作面板设置打印项目

可以指定打印设置以打印保存在 USB 闪存上的数据。



垂直滑动或点击  以显示设置项目，然后点击设置项目以显示设置。点击以指定设置。

1. 彩色

选择彩色或黑白打印。

2. 打印质量 (打印质量)

根据照片选择打印质量。

3. 纸张来源 (纸张来源)

选择进纸位置。

4. 旋转

如果选择 **90 度**，图像将旋转 90 度打印。

5. 适合纸张

选择是否使打印结果适合装入的纸张。

6. 点击以指定打印设置。

从智能手机/平板电脑打印

有关通过无线 LAN 从设备打印的更多信息，请参阅此设备或应用程序的说明手册。

- ▶ [通过无线 LAN 将智能手机/平板电脑直接连接到打印机\(直接连接\)](#)

通过无线 LAN 将智能手机/平板电脑直接连接到打印机(直接连接)

可以通过以下两种方法将设备(例如智能手机或平板电脑)连接至打印机。

- 无线连接(通过无线路由器连接设备)
- 直接无线连接(使用直接连接连接设备)

本节描述了直接连接，这种方式可以通过将设备直接连接至打印机进行打印。

请按照以下步骤使用直接连接。

1. [启用直接连接。](#)
2. [将设备连接至打印机。](#)

本节也描述将直接连接更改为无线 LAN。

■ [更改打印机设置以使用无线 LAN](#)

▶▶▶ 重要事项

- 如果已启用使用操作面板更改设置，则更改设置需要管理员密码。
- 如果设备已通过无线 LAN 连接到打印机并且想要添加连接设备，请直接将其连接到打印机。最多可以将 5 台设备同时连接至打印机。
- 检查使用限制并将打印机切换至直接连接。

■ 限制


准备连接

更改以下设置以准备直接连接。

- 打印机的 LAN 设置
 - [更改打印机设置](#)
- 要连接的设备的设置
 - [将智能手机/平板电脑连接到打印机](#)

更改打印机设置

1. [确保打印机已开启。](#)

2. 滑动主页屏幕，然后点击  LAN 设置。

■ [菜单操作](#)

3. 点击 [启用直接连接](#)。

4. 点击 [是](#)。

出现直接连接的标识符(SSID)。

设备根据标识符(SSID)检测打印机。

注 释

- 如果点击**详细信息**并点击**是**，将出现以下项目。

- 安全设置
- 密码
- 兼容 Wi-Fi Direct 的设备上显示的打印机名称

将设备连接到打印机时需要输入密码。根据使用的设备不同，不需要输入密码。

将兼容 Wi-Fi Direct 的设备连接到打印机时，选择设备触摸屏上显示的设备名称。

- 会自动指定标识符(SSID)和安全设置。要进行更新，请参见以下内容。

■ [更改直接连接设置](#)

5. 点击 **OK**。

将启用直接连接，并且可以将设备通过无线方式连接到打印机。

将智能手机/平板电脑连接到打印机

1. 开启设备上的无线通讯。

在设备的“设置”菜单中启用“Wi-Fi”。

有关开启无线通讯的更多信息，请参见设备的说明手册。

2. 从设备上显示的列表中选择“DIRECT-XXXX-PRO-520”（“X”表示字母数字字符）。

注 释

- 如果“DIRECT-XXXX-PRO-520”未出现在列表上，则未启用直接连接。

请参见[更改打印机设置](#)以启用直接连接。

3. 输入密码。

设备已连接到打印机。

注 释

- 检查直接连接的密码。

使用以下任一方法检查。

- 在触摸屏上显示。

■ [LAN 设置](#)

- 打印网络设置。

■ [打印网络设置](#)

- 根据使用的设备不同，需要输入密码以将设备通过无线 LAN 连接到打印机。输入为打印机指定的密码。

- 如果兼容 Wi-Fi Direct 的设备设置为优先使用 Wi-Fi Direct 且该设备正连接到打印机，打印机将显示确认屏幕，询问是否允许该设备连接到打印机。

确保触摸屏上的名称与无线通讯设备名称一致，然后点击**是**。

更改打印机设置以使用无线 LAN

请按照以下步骤更改打印机设置以使用无线 LAN。

1. 滑动主页屏幕，然后点击  **LAN 设置**。

■ 菜单操作

2. 点击**更改 LAN**。
3. 点击**启用无线 LAN**。

如果不通过无线 LAN 使用打印机，请选择**启用有线 LAN** 或**禁用 LAN**。

更改直接连接设置

按照以下步骤更改直接连接的设置。

1. [确保打印机已开启](#)。

2. 滑动主页屏幕，然后点击  **LAN 设置**。

■ 菜单操作

3. 点击 **LAN 设置**。
4. 点击**其他设置**。
5. 点击**直接连接设置**。
6. 根据需要更改设置。



- 要更新直接连接的标识符(SSID)和密码

点击 A 以显示确认屏幕。要更新标识符(SSID)和密码，请点击**是**。

要查看安全设置和更新的密码，请点击**详细信息**，然后在接下来显示的屏幕上点击**是**。

- 要更改兼容 Wi-Fi Direct 的设备上显示的打印机名称

点击 B 显示兼容 Wi-Fi Direct 的设备上显示的打印机名称(设备名称)。

请按照以下步骤更改名称。

1. 点击触摸屏。
2. 输入设备名称(最多 32 个字符)。
3. 点击 **OK** 完成输入设备名称。
4. 点击 **OK** 完成指定设备名称。

- 要更改兼容 Wi-Fi Direct 的设备连接到打印机时的确认屏幕设置

点击 C 以显示确认屏幕。如果要打印机显示兼容 Wi-Fi Direct 的设备正在连接到打印机的通知屏幕，请点击**是**。

▶▶▶ 重要事项

- 为防止未经授权的访问，建议不要更改默认设置。

完成设置后，打印机将返回至**直接连接设置**屏幕。

7. 触摸**主页**按钮。

出现主页屏幕。

▶▶▶ 注释

- 如果更改打印机的直接连接设置，请同时更改设备的无线路由器设置。

Windows 软件

▶ 打印机驱动程序

- [打印机驱动程序概述](#)
- [打印机驱动程序描述](#)
- [更新打印机驱动程序](#)

▶ 使用 Canon 应用程序软件打印

- [Preview 指南](#)
- [Free Layout 指南](#)
- [Print Plug-In for Office 指南](#)
- [Direct Print & Share 指南](#)
- [Quick Utility Toolbox 指南](#)
- [Print Studio Pro 指南](#)
- [数码照片打印指南](#)
- [IJ Network Device Setup Utility](#)
- [Media Configuration Tool 指南](#)
- [Device Management Console 指南](#)
- [Accounting Manager 指南](#)

打印机驱动程序

- ▶ 打印机驱动程序概述
- ▶ 打印机驱动程序描述
- ▶ 更新打印机驱动程序

打印机驱动程序概述

- ▶ **Canon IJ 打印机驱动程序**
- ▶ **更改打印选项**
- ▶ **Canon imagePROGRAF Preview**
- ▶ **如何打开打印机驱动程序设置窗口**
- ▶ **更新打印机驱动程序中的介质信息**
- ▶ **设置帐户管理信息**
- ▶ **删除不需要的打印作业**
- ▶ **Canon IJ 状态监视器**
- ▶ **从计算机检查墨水状态**
- ▶ **使用说明(打印机驱动程序)**

Canon IJ 打印机驱动程序

Canon IJ 打印机驱动程序(以下称为打印机驱动程序)是安装在计算机上、用于本打印机打印数据的软件。

打印机驱动程序将应用程序软件所生成的打印数据转换为打印机能够识别的数据，并将转换后的数据发送到打印机。

由于不同的型号支持不同的打印数据格式，因此需要为使用的指定型号安装相应的打印机驱动程序。

打印机驱动程序类型

除常规打印机驱动程序外，还可以安装 XPS 打印机驱动程序。

XPS 打印机驱动程序适用于从支持 XPS 打印的应用程序软件打印。

▶▶▶ 重要事项

- 要使用 XPS 打印机驱动程序，计算机上必须已经安装了标准打印机驱动程序。

安装打印机驱动程序

- 要安装常规打印机驱动程序，请装入打印机附带的安装光盘，然后从**重新开始安装**安装驱动程序。
- 要安装 XPS 打印机驱动程序，请装入打印机附带的安装光盘，然后从**添加软件**中选择 **XPS 驱动程序**。

指定打印机驱动程序

要指定打印机驱动程序，打开所使用的应用程序软件的**打印**对话框，然后选择“XXX”（“XXX”表示型号名称），以指定常规打印机驱动程序，或选择“XXX XPS”（“XXX”表示型号名称），以指定 XPS 打印机驱动程序。

从打印机驱动程序显示手册

要在打印机驱动程序设置窗口中显示选项卡的描述，请单击此选项卡上的**帮助**按钮。

相关主题

- [如何打开打印机驱动程序设置窗口](#)

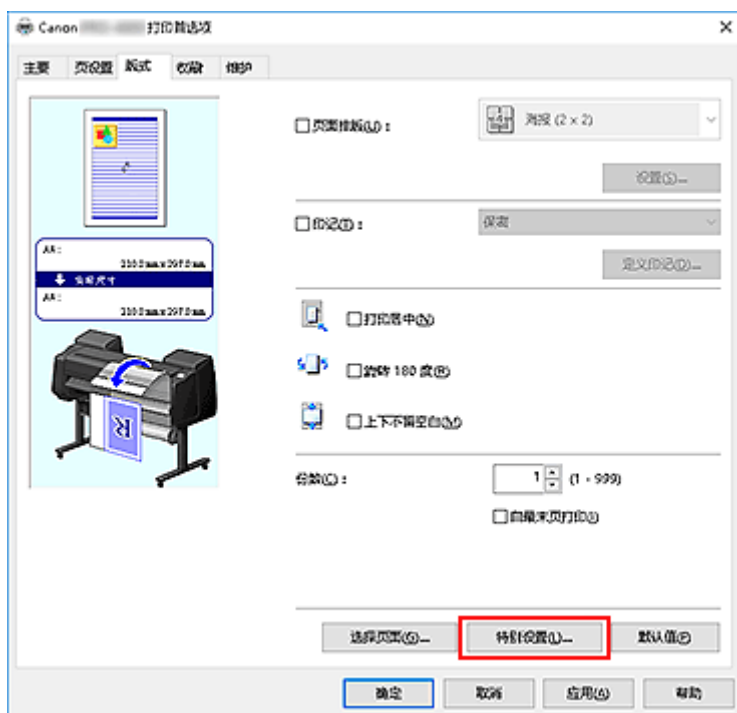
更改打印选项

可为打印从应用程序软件发送的打印数据而更改详细的打印机驱动程序设置。

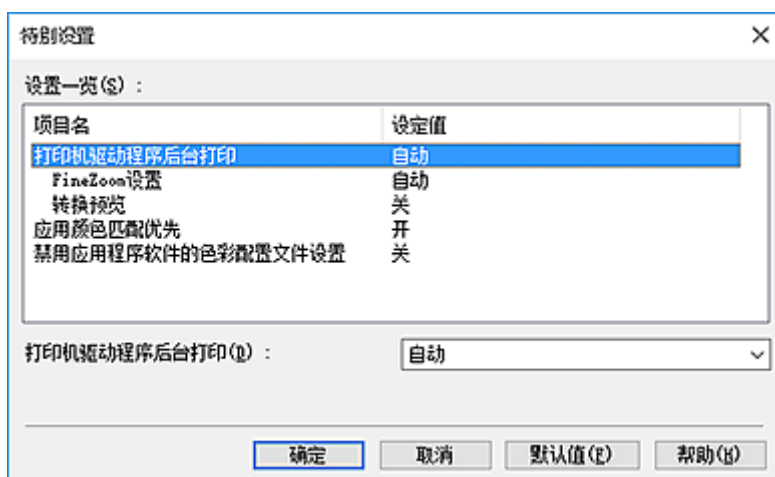
如果部分图像数据被剪裁，打印过程中的纸张来源与驱动程序设置的不同或者打印失败，请选中该复选框。

更改打印选项的步骤如下：

1. 打开[打印机驱动程序设置窗口](#)
2. 单击版式选项卡上的特别设置...



特别设置对话框打开。



注

- 如果使用的是 XPS 打印机驱动程序，可用功能会有所不同。

3. 更改各设置

如有必要，更改各项目的设置，然后单击**确定**。

再次显示**版式**选项卡。

Canon imagePROGRAF Preview

当使用某些打印机驱动程序或操作环境时，该功能可能不可用。

Canon imagePROGRAF Preview 是用于在实际打印文档前显示打印效果的应用程序软件。

预览结果反映了打印机驱动程序中的设置信息，您可以检查文档布局、打印顺序和页数。您也可以更改介质类型和纸张来源设置。

要在打印前显示预览，请打开[打印机驱动程序设置窗口](#)，单击**主要**选项卡，并选中**打印前预览**复选框。

不想在打印前显示预览时，则不选中该复选框。

相关主题

- [打印前显示打印效果](#)

如何打开打印机驱动程序设置窗口

可以从正在使用的应用程序软件或打印机图标显示打印机驱动程序设置窗口。

通过应用程序软件打开打印机驱动程序设置窗口

打印时按照以下步骤配置打印配置文件。

1. 在应用程序软件中选择执行打印的命令

一般情况下，在文件菜单下选择打印以打开打印对话框。

2. 选择型号名称并单击**首选项(或属性)**

打印机驱动程序设置窗口出现。

»» 注释

- 根据所使用的应用程序软件的不同，命令名称或菜单名称可能会有所变化，并且步骤可能会更多。有关详细资料，请参阅应用程序软件的用户手册。

从打印机图标打开打印机驱动程序设置窗口

按照以下步骤执行打印机维护操作(如打印头清洗，或为所有应用程序软件配置共有的打印配置文件等)。

1. 根据以下说明进行选择：

- 如果正在使用 Windows 10，右键单击**开始菜单**，然后选择**控制面板** -> **硬件和声音** -> **设备和打印机**。
- 如果正在使用 Windows 8.1 或 Windows 8，从桌面的超级按钮中选择**设置** -> **控制面板** -> **硬件和声音** -> **设备和打印机**。
- 如果正在使用 Windows 7，请选择**开始菜单** -> **设备和打印机**。
- 如果正在使用 Windows Vista，选择**开始菜单** -> **控制面板** -> **硬件和声音** -> **打印机**。

2. 右键单击型号名称图标，然后从显示的菜单中选择**打印首选项**

打印机驱动程序设置窗口出现。

»» 重要事项

- 通过**打印机属性**(Windows 10、Windows 8.1、Windows 8、Windows 7)或**属性**(Windows Vista)打开打印机驱动程序设置窗口，会显示有关 Windows 功能的选项卡，如**端口(或高级)**选项卡等。当通过**打印首选项**或应用程序软件打开时，不会出现这些选项卡。有关 Windows 功能选项卡的信息，请参阅 Windows 用户手册。

更新打印机驱动程序中的介质信息

此功能从打印机获取最新介质信息并更新打印机驱动程序中的介质信息。
介质信息更新后，**主要选项卡**上的**介质类型**显示的介质将更新为最新信息。

更新介质信息的步骤如下所述。

1. 根据以下说明进行选择：

- 如果正在使用 Windows 10，右键单击**开始菜单**，然后选择**控制面板** -> **硬件和声音** -> **设备和打印机**。
显示**设备和打印机**窗口。
- 如果正在使用 Windows 8.1、Windows 8、Windows Server 2012 R2 或 Windows Server 2012，从桌面的超级按钮中选择**设置** -> **控制面板** -> **硬件和声音(硬件)** -> **设备和打印机**。
显示**设备和打印机**窗口。
- 如果正在使用 Windows 7 或 Windows Server 2008 R2，选择**开始菜单** -> **控制面板** -> **硬件和声音(硬件)** -> **设备和打印机**。
显示**设备和打印机**窗口。
- 如果正在使用 Windows Vista 或 Windows Server 2008，选择**开始菜单** -> **控制面板** -> **硬件和声音** -> **打印机**。
显示**打印机**窗口。

2. 显示设置窗口

右键单击“型号名称”图标，并选择**打印机属性**(在 Windows 10、Windows 8.1、Windows 8 或 Windows 7 环境下)或**属性**(在 Windows Vista 环境下)。
将出现打印机的**属性**窗口。

3. 更新介质信息

单击**设备设置**选项卡上的**更新介质信息**。
出现确认信息时，单击**执行**。
如果无法更新驱动程序上的纸张信息，请单击**最初确认项目**并检查显示的信息。
打印机驱动程序中的介质信息将更新。

重要事项

- 更新介质信息可能会花费一些时间。

4. 完成介质信息更新

出现确认信息时，单击**确定**。
介质信息将进行更新。

重要事项

- 更新介质信息后，请重新启动打印机驱动程序。
- 更新驱动程序中的介质信息时，请勿更改打印机上的介质信息。

重要事项

- 确保由具有管理员权限的用户执行介质信息更新。
管理员以外的用户可以检查是否需要更新介质信息，但无法执行更新。
- 已使用管理工具(Media Configuration Tool)添加、删除或编辑介质信息但尚未更新介质信息时，可能会引发问题，例如无法打印等。

设置帐户管理信息

通过设置帐户管理信息，可以添加打印作业 ID，并使用打印机和成本管理工具汇总任一 ID 的打印历史记录信息。

设置帐户管理信息的步骤如下所述。

1. 根据以下说明进行选择：

- 如果正在使用 Windows 10，右键单击**开始菜单**，然后选择**控制面板** -> **硬件和声音** -> **设备和打印机**。
显示**设备和打印机**窗口。
- 如果正在使用 Windows 8.1、Windows 8、Windows Server 2012 R2 或 Windows Server 2012，从桌面的超级按钮中选择**设置** -> **控制面板** -> **硬件和声音(硬件)** -> **设备和打印机**。
显示**设备和打印机**窗口。
- 如果正在使用 Windows 7 或 Windows Server 2008 R2，选择**开始菜单** -> **控制面板** -> **硬件和声音(硬件)** -> **设备和打印机**。
显示**设备和打印机**窗口。
- 如果正在使用 Windows Vista 或 Windows Server 2008，选择**开始菜单** -> **控制面板** -> **硬件和声音** -> **打印机**。
显示**打印机**窗口。

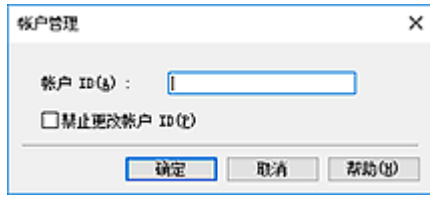
2. 显示设置窗口

右键单击“型号名称”图标，并选择**打印机属性**(在 Windows 10、Windows 8.1、Windows 8 或 Windows 7 环境下)或**属性**(在 Windows Vista 环境下)。
将出现打印机的**属性**窗口。

3. 单击帐户管理选项卡上的设备设置



帐户管理对话框打开。



4. 如有必要，完成以下设置：

帐户 ID

输入要设置的帐户 ID。输入 ID，最多使用 20 个字母数字字符(0 到 9、a 到 z、A 到 Z)。

禁止更改帐户 ID

禁止对已设置的帐户 ID 进行更改。

选中此复选框可防止其他用户更改 ID。

5. 应用设置

单击**确定**。

将再次显示**设备设置**选项卡。

此后将启用该设置。

►► 注释

- 只有具有管理员权限的用户才可设置**帐户管理**。
不具有管理员权限的用户可能无法设置**帐户管理**信息。

删除不需要的打印作业

如果正在使用的是 XPS 打印机驱动程序，读到这条信息后，用“Canon IJ XPS 状态监视器”代替“Canon IJ 状态监视器”。

如果打印机未开始打印，则可能仍然保留已取消或失败的打印作业数据。
使用 Canon IJ 状态监视器删除不需要的打印作业。

1. 打开[打印机驱动程序设置窗口](#)

2. 显示 Canon IJ 状态监视器

单击**主要**选项卡上的“**Status Monitor...**”。

显示 Canon IJ 状态监视器。

3. 显示打印作业

单击**显示发送队列**。

打印队列窗口打开。

4. 删除打印作业

选择要删除的打印作业，然后从**文档**菜单选择**取消**。

出现确认信息时，单击**是**。

打印作业删除完成。

重要事项

- 未被授予打印机管理访问权限的用户无法删除其他用户的打印作业。

Canon IJ 状态监视器

Canon IJ 状态监视器是一个应用程序软件，用于显示打印机状态和打印进程。您将通过图示、图标和信息了解打印机状态。

启动 Canon IJ 状态监视器

当打印数据发送到打印机时，Canon IJ 状态监视器将自动启动。启动时，Canon IJ 状态监视器在任务栏上显示为一个按钮。



单击显示在任务栏上的状态监视器按钮。显示 Canon IJ 状态监视器。

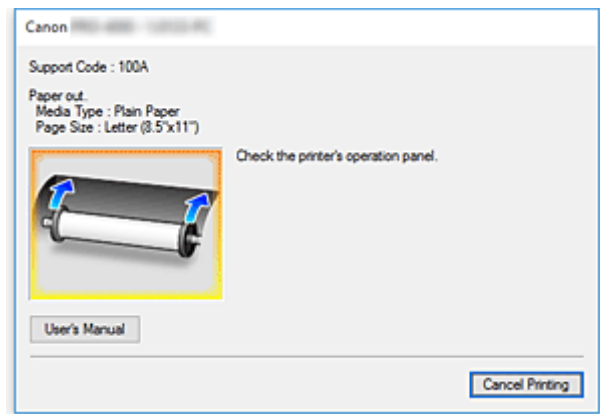


注释

- 要在打印机未打印时打开 Canon IJ 状态监视器，请打开[打印机驱动程序设置窗口](#)，并单击页设置选项卡上的查看打印机状态。
- 根据使用打印机时所在的国家或地区，显示在 Canon IJ 状态监视器的信息可能有所不同。

出现错误时

如果出现错误(例如，如果打印机中的纸张用完或如果墨水不足)，Canon IJ 状态监视器会显示错误信息对话框。



在这些情况下，请按照说明采取适当的操作。

从计算机检查墨水状态

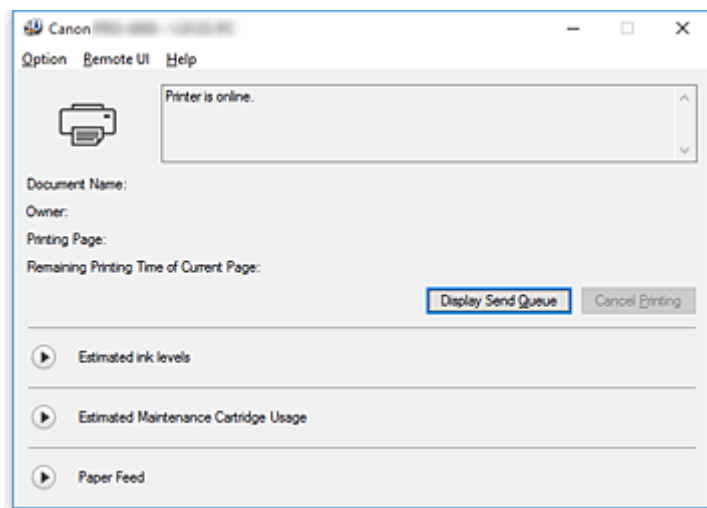
可以检查本型号的剩余墨水量和墨水盒类型。

1. 打开[打印机驱动程序设置窗口](#)


2. 启动 Canon IJ 状态监视器

在**主要**选项卡上，单击“**Status Monitor...**”。

Canon IJ 状态监视器打开。



3. 显示估计墨水量

对于**估计墨水量**，单击  (可展开三角形) 将显示墨水状态的图示。

▶▶▶ 注释

- 根据使用打印机时所在的国家或地区，显示在 Canon IJ 状态监视器的信息可能有所不同。

使用说明(打印机驱动程序)

该打印机驱动程序受以下限制。使用打印机驱动程序，请注意以下几点。

关于打印机驱动程序的限制

- 安装之前，请使用具有管理员权限的用户登录 Windows。
- 安装该软件前，请务必检查以下内容。
 1. 请退出正在运行的应用程序软件。
 2. 如果正在打印文档，请中止打印或等待打印结束。
 3. 请关闭所有打印机驱动程序对话框。
- 如果可以使用应用程序软件设置份数，请使用打印机驱动程序或应用程序软件进行设置。
- 如果可以使用应用程序软件进行放大/缩小设置，请在打印机驱动程序中设置为普通尺寸(100%)，然后使用应用程序软件设置缩放倍率。
- 根据所用的应用程序软件，可以执行逐份打印；但是，在使用**版式**选项卡中的**页面布局**选项设置布局打印时，请勿使用此功能。
这可能会造成布局错误。
- 打印放大/缩小的文档时，由于图像数据分辨率和放大/缩小比例之间存在误差，打印结果可能会有所不同。
- 打印缩小的彩色图像时，1 点宽的线条或点可能会从彩色图像中消失。
- 根据应用程序软件的不同，可能无法正确打印接近水平角度绘制的线条。
如果发生这种情况，请重新水平绘制线条，然后再次打印。
- 刚刚安装(或更新)打印机驱动程序后，可能无法查看某些应用程序软件中的新功能。
在提供打印功能的所有应用程序软件中，在文件菜单中选择打印，在选择正在使用的打印机之后单击属性按钮。
打开属性对话框后，单击确定可立即关闭该对话框。
- 如果指定为印记的字符串具有大量字符，或者如果字符具有较大的磅值，则可能无法打印印记字符串。
- 如果指定为印记的字符串在 F040 之后包含外部字符，则无法打印印记字符串。
- 如果通过打印机属性中的**常规**选项卡更新打印机的型号名称，则会禁用打印机驱动程序中注册的**收藏**设置。
在这种情况下，请在更改打印机名称之前将收藏设置另存为文件，然后在更新打印机名称之后重新加载已保存的文件。
- 以高分辨率打印需要使用大量计算机内存。
计算机内存不足或正在使用大量应用程序软件时，应用程序软件可能无法正常工作。
在这种情况下，请重新启动 Windows，关闭不使用的程序，然后再继续打印。此外，如果打印机未正确打印，请将**主要**选项卡上的**打印质量**设置切换为较低的分辨率。
- 使用本地连接时，如果打印机属性**端口**选项卡中的**启用双向支持**选项旁未显示复选标记，则无法正确获取打印机和设备信息。
- 如果正在通过 USB 连接使用打印机，请避免使用待机模式。可以通过**控制面板**上的**电源选项**设置待机模式。
- 如果存在大量打印数据，则在打印过程中，打印机可能会超时，并且可能无法再打印。
在这种情况下，请在打印机属性的**高级**选项卡中，选择**使用后台打印，以便程序更快地结束打印**，然后选中**在后台处理完最后一页时开始打印**旁的复选标记。
- 细线和渐变可能无法正确打印。
在这种情况下，请从应用程序软件的文件菜单中选择打印，打开打印机驱动程序的属性对话框后，按照以下步骤操作并执行打印。
 1. 在**主要**选项卡中，取消选中**打印前预览**。

2. 在**版式**选项卡中，取消选中**页面布局**。
 3. 如果正在使用 32 位驱动程序，则在**版式**选项卡中，单击**特别设置**以打开**特别设置**对话框，并关闭**高速图像处理**。
- 如果存在大量打印数据，则在打印过程中，打印机可能会超时，并且可能无法再打印。
在这种情况下，在打印机操作面板上增加作业超时的设置时间，有可能进行打印。
 - 根据所用的应用程序的不同，如果使用放大/缩小、布局打印、页面边框等功能进行打印，则生成的打印文档中的某些数据(如图像)可能与源文档不同。
 - 在计算机内存不足的情况下，如果从计算机打印非常大的图像，则可能无法正确打印；例如打印可能需要很长时间或者部分图像可能丢失。
在这种情况下，请先按照以下步骤操作，然后再尝试打印。
 - 如果正在使用 32 位驱动程序，请打开**版式**选项卡，然后单击**特别设置**。
关闭**高速图像处理**。
 - 增加计算机内存。
 - 增加操作系统的虚拟内存。
 - 请勿在打印机属性的高级选项卡中更改“**打印处理器...**”设置。
如果更改这些设置，将无法正常使用以下功能。
 - **版式**选项卡的**页面布局**中的 **Free Layout** 和用 **PosterArtist 编辑**功能
 - Canon imagePROGRAF Preview 功能
 - 在如下所述的情况下，将无法使用**版式**选项卡的**页面布局**中的 **Free Layout** 和用 **PosterArtist 编辑**功能以及 Canon imagePROGRAF Preview 功能。
 - 右键单击打印机图标并从**查看现在正在打印什么**中选择**打印机** -> **暂停打印时**，或者右键单击打印机图标并选择**暂停打印时**
 - 右键单击打印机图标并从**查看现在正在打印什么**中选择**打印机** -> **脱机使用打印机时**，或者右键单击打印机图标并选择**脱机使用打印机时**
 - 在打印机属性**高级**选项卡的**使用时间从和到**中设置的时间以外的时间进行打印时
 - 在关闭打印机属性**高级**选项卡中的**启用高级打印功能**后进行打印时
 - 在启用打印机属性**高级**选项卡中的**直接打印到打印机**后进行打印时
 - 在将打印机属性**端口**选项卡中的打印端口更改为 **FILE:**后进行打印时
 - 在应用程序软件**打印**对话框中选择**输出到文件**后进行打印时
 - 如果执行点和打印安装，将无法使用**版式**选项卡的**页面布局**中的 **Free Layout** 和用 **PosterArtist 编辑**功能以及 Canon imagePROGRAF Preview 功能。
 - 如果在设置 **Free Layout** 和用 **PosterArtist 编辑**后进行打印，请避免从其他驱动程序打印。
 - 如果将特定的**打印质量**与大尺寸纸张进行组合，则可能无法正确打印印记和边框。
 - 在 Canon imagePROGRAF Preview 中，视图屏幕中显示的字符和细线可能与打印结果不同。在这种情况下，请尝试选择**版式**选项卡，打开**特别设置**对话框并启用**转换预览**。
 - 如果正在使用的型号支持**设备设置**选项卡中的**自动切换纸张来源(纸张大小优先)**，或者如果已选择**自动切换纸张来源(纸张大小优先)**，则可能无法获得所需的打印效果。
在这种情况下，请取消选中**自动切换纸张来源(纸张大小优先)**。

使用存在限制的应用程序的注意事项

- 如果在 Microsoft Excel 中选**逐份打印**并打印多份，或者如果在每个选项卡中进行不同设置之后执行**整个工作簿**，则可能无法执行布局打印，也可能无法获得预期的打印结果。
- 如果尝试通过 Adobe Illustrator 等应用程序在大尺寸纸张上打印数据，则可能无法进行打印。
在这种情况下，请先按照以下步骤操作，然后再尝试打印。
 - 打开**主要**选项卡，然后取消选中**打印前预览**。

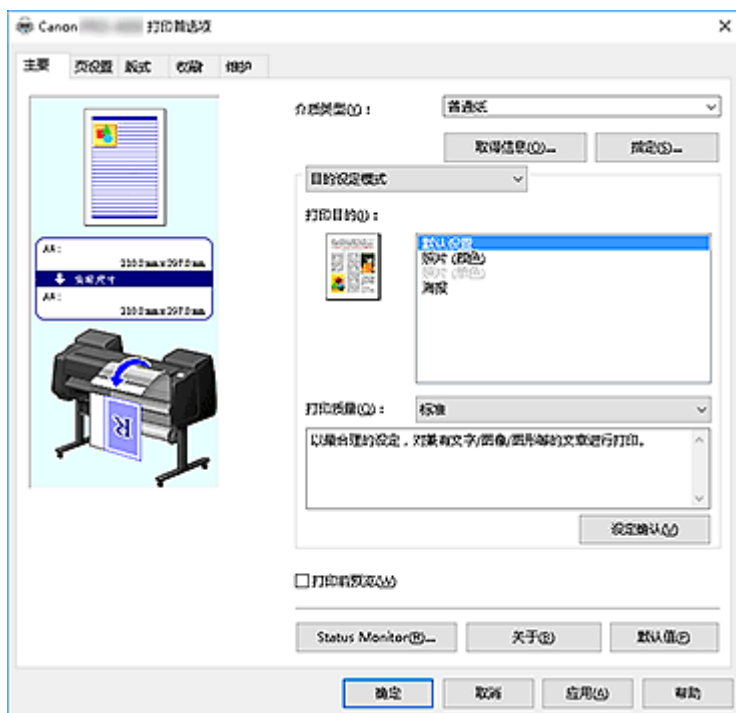
- 如果正在使用 32 位驱动程序，请打开**版式**选项卡，然后单击**特别设置**。
关闭**高速图像处理**。
- 增加操作系统的虚拟内存。
- 如果正在使用 Adobe Illustrator，请关闭/开启打印对话框中的**位图打印**。
- 在如下所述的情况下，将无法使用**版式**选项卡的**页面布局**中的 **Free Layout** 和**用 PosterArtist 编辑**功能。
 - 从不允许 EMF 后台打印的应用程序软件(如 Adobe Photoshop LE、MS Photo Editor、Ace Draw 和其他应用程序软件)打印时。
- 从 Adobe Photoshop 打印时，黑白照片的渐变中可能会出现色调跳跃。
- 使用**放大/缩小打印**或**无边距打印**打印通过 Microsoft Word 创建的数据时，可能无法正确打印。
在这种情况下，请先按照以下步骤操作，然后再尝试打印。
 - 从开始菜单打开打印机文件夹，右键单击打印机图标，然后选择**打印首选项**。在**页设置**选项卡中设置**页尺寸**、**放大/缩小打印**和**无边距打印**之后启动应用程序。
 - 打开 Microsoft Word 的**页面设置**对话框，然后单击**确定**将其关闭。
 - 设置打印机驱动程序后，在不打印的情况下暂时关闭**打印**对话框。然后，再次打开打印机驱动程序的设置屏幕，单击**确定**将其关闭，然后执行打印。

打印机驱动程序描述

- ▶ 主要选项卡的说明
- ▶ 页设置选项卡的说明
- ▶ 版式选项卡的说明
- ▶ 收藏选项卡的说明
- ▶ 维护选项卡的说明
- ▶ 设备设置选项卡的说明
- ▶ Canon IJ 状态监视器描述

主要选项卡的说明

在**主要**选项卡上，可以根据介质类型创建基本打印设置。除非要求进行特殊打印，否则仅需在该选项卡上设置各项目即可执行常规打印。



设置预览

纸张图示显示了如何在一张纸上布置原稿。

您可以查看整体布局图像。

打印机图示显示了如何装入符合打印机驱动程序设置的纸张。

开始打印前，查看图示以检查打印机是否设置正确。

介质类型

选择打印纸张的类型。

选择与装入打印机中的纸张相匹配的介质类型。这可确保指定的纸张执行正确打印。

取得信息...

打开**打印机的纸张信息**对话框。

可以查看打印机设置并将查看的设置应用到打印机驱动程序。

指定...

打开[纸张详细设置对话框](#)，并指定与打印机中装入的介质类型相匹配的详细打印设置。

下拉菜单

在**目的设定模式**和**详细设定模式**之间切换。

目的设定模式

该模式可以使用预先注册的打印设置进行打印。

打印目的

一般常用的打印设置已预先注册为打印用途。通过选择打印用途进行打印，可以使用与文档匹配的设置打印。

默认设置

选择此设置可以打印业务文档等一般文档。

照片 (颜色)

打印彩色插图或照片时选择该项。

照片 (单色)

打印单色插图或照片时选择该项。

海报

打印海报时选择该项。

打印质量

选择所需的打印质量。

选择以下其中一种以设置合乎用途的打印质量级别。

▶▶▶ 重要事项

- 根据介质类型设置，即使更改打印质量，可能也会产生相同的打印效果。

最高

将质量作为最高优先级进行打印。

高

打印质量优于打印速度。

标准

以平均的速度和质量打印。

用户定义

打开[用户定义对话框](#)。

当要分别设置打印质量级别时选择该项。

设定确认

打开[设定确认对话框](#)。

详细设定模式

该模式可以通过指定符合使用目的的详细设置进行打印。

打印质量

选择所需的打印质量。

选择以下其中一种以设置合乎用途的打印质量级别。

▶▶▶ 重要事项

- 根据介质类型设置，即使更改打印质量，可能也会产生相同的打印效果。

最高

将质量作为最高优先级进行打印。

高

打印质量优于打印速度。

标准

以平均的速度和质量打印。分辨率设置为 300dpi。

用户定义

打开[用户定义对话框](#)。

当要分别设置打印质量级别时选择该项。

色彩模式

选择要打印的颜色。

颜色

按照文档中的颜色数量打印。

单色

以单色打印彩色文档。

单色(照片)

该模式适用于以单色打印照片等图像。

颜色设置

打开[颜色设置对话框](#)。

可以调整**色彩调整**选项卡上的各项色彩设置，如**青色**、**品红色**、**黄色**、**亮度**和**对比度**，并在**匹配**选项卡上选择**色彩修正**方法。

也可以在**无色涂膜**选项卡上设置无色涂膜设置。

强调细线

将细线条加粗打印以便于查看。

打印前预览

可以启动 Canon imagePROGRAF Preview，然后在执行打印前查看打印结果。
选中该复选框以在打印前显示预览。

Status Monitor...

显示状态监视器。

关于

打开**关于**对话框。
可以查看打印机驱动程序版本和版权等信息。

默认值

将修正中所做的设置恢复至默认状态。
单击此按钮会将当前屏幕上的所有设置恢复为默认值(出厂设置)。

纸张详细设置对话框

干燥时间

可以设置等待墨水变干的时间。仅可对卷纸启用**页码范围**设置。

页码范围

可以设置打印一页之后到纸张输出之前的等待时间。由于裁切卷纸前需要时间等待墨水变干，因此，即使在**页设置**选项卡的**卷纸选项**中将**自动裁切**设置为**是**，纸张落入篮子时墨水也可能已干透。

设置项目	内容
打印默认值	将应用打印机操作面板中的设置。
无	打印后立即输出纸张
30 秒/1 分/3 分/5 分/10 分/30 分/60 分	纸张将在打印完并经过设定时长后输出。

扫描范围

可以设置打印一行之后到打印下一行之前的等待时间。如果页面中出现污迹或者无边距打印时发生颜色不均等情况，并且希望避免出现污迹和颜色不均时进行设置。

设置项目	内容
打印默认值	将应用打印机操作面板中的设置。
无	打印完第一行后，立即打印下一行。
1 秒/3 秒/5 秒/7 秒/9 秒	打印一行后，经过设定时长之后将打印下一行。 * 如果出现污迹和/或发生颜色不均的情况，请增加时间。

卷纸的安全边距

为了使严重卷曲的纸张能够牢固地吸附在压纸滚筒上，可以选择纸张边缘上设置的边距长度。

前端边距

可以设置卷纸**前端边距**长度。

设置项目	内容
打印默认值	将应用打印机操作面板中的设置。
3mm	将以标准尺寸打印。 * 打印过程中没有发生特殊问题时，请选择该项。
20mm	打印头受到刮擦(如在使用严重卷曲的纸张)时，请选择该项。

裁切速度

选择自动裁切速度。无法精确自动裁切纸张时，可以进行调整。

设置项目	内容
打印默认值	将应用打印机操作面板中的设置。
快速	在使用 标准 设置的情况下无法顺利裁切时，请选择该项。
标准	自动裁切过程中没有发生特殊问题时，请选择该项。
慢速	如果使用带背胶的纸张时选择此项，则背胶不易粘附在切刀上，可以延缓切刀性能降低。

单向打印

控制颜色不均和规则线条未对齐的情况。

单向打印时，请选中此项。

校准调整值

在打印机中已设置色彩校准时，如果进行打印，则可以应用此结果。应用校准时，请选择**有效**。

翻转

选择是否打印镜像图像。选中该复选框并启用此项后，将如同镜像一般打印反转的文字和图像。

用户定义对话框

设置质量级别并选择所需的打印质量。

质量

可以使用滑动条来调整打印质量级别。

重要事项

- 根据**介质类型**的设置，可能无法选择某些打印质量级别。

注释

- 使用滑动条可以设置**最高**、**高**或**标准**打印质量模式。因此，移动滑动条时，左侧会显示相应的质量和数值。此操作与**主要选项卡**上的**打印质量**选择为相应的单选按钮时获得的效果相同。

设定确认对话框

打印目的

选择打印用途。所选打印用途的设置将显示在**详细资料**中。

名称

显示所选打印用途的名称。

详细资料

显示在**打印目的**中选择的打印用途设置。

颜色设置对话框

色彩调整选项卡

将**色彩模式**选择为**颜色**时，将显示该项。

在此选项卡上，可以更改**青色**、**品红色**、**黄色**、**色调**、**亮度**和**对比度**选项的设置，从而调整色彩平衡。

注释

- 将**色彩模式**选择为**单色**或**单色(照片)**时，**色彩调整**选项卡将切换为**灰度调整**选项卡。

预览

显示色彩调节的效果。

调整各项目时，色彩和亮度将会改变。

查看彩色图案

显示一个图案以查看色彩调节带来的颜色变更。

如果要以一种色彩图案显示预览图像，请选中该复选框。

青色/品红色/黄色

调整**青色**、**品红色**和**黄色**的强度。

向右移动滑块将使色彩更深，向左移动滑块将使色彩更浅。

也可以直接输入与滑块关联的数值。输入从-50 到 50 范围内的数值。

此调整可更改各色彩使用的相对墨水量，而墨水量可改变文档的整体色彩平衡。如果想有效地更改整体色彩平衡，请使用应用程序。仅当要细微调整色彩平衡，请使用打印机驱动程序。

重要事项

- 将**色彩模式**选择为**单色**或**单色(照片)**时，无法设置色彩平衡(**青色**、**品红色**和**黄色**)，因为**色彩调整**选项卡将切换为**灰度调整**选项卡。

亮度

调整打印的亮度。您无法更改纯白色和纯黑色水平。但是，可以更改白色和黑色之间色彩的对比度。向右拖动滑块颜色将变暗，向左拖动滑块颜色将变亮。也可以直接输入与滑块联动的亮度值。输入从-50 到 50 范围内的数值。

对比度

调整要打印图像中明暗之间的对比度。

向右移动滑块将增加对比度，向左移动滑块将减少对比度。

也可以直接输入与滑块关联的数值。输入从-50 到 50 范围内的数值。

灰度调整选项卡

将**色彩模式**选择为**单色**时，将显示该项。

使用此选项卡可以更改**色调**、**亮度**和**对比度**选项的设置，从而调整色彩平衡。

►► 注释

- 将**色彩模式**选择为**颜色**时，**灰度调整**选项卡将切换为**色彩调整**选项卡。

预览

显示色彩调节的效果。

调整各项目时，色彩和亮度将会改变。

查看彩色图案

显示一个图案以查看色彩调节带来的颜色变更。

色调

为单色打印设置色调。

可以从下拉菜单中为单色色调选择颜色。

冷色调

该项目将色调调整为冷色调灰色(冷黑)。当选择该项目时，**X** 的输入值为-30，**Y** 的输入值为 0。

黑白

该项目将色调调整为中性色调灰色。当选择该项目时，**X** 的输入值为 0，**Y** 的输入值为 0。

暖色调

该项目将色调调整为暖色调灰色(暖黑)。当选择该项目时，**X** 的输入值为 30，**Y** 的输入值为 0。

用户定义

可以在查看中央调整区域中的色彩时使用水平和垂直滑块调整色调。

通过左/右或上/下拖动滑块分别调整水平和垂直滑块。

也可以使用鼠标单击或拖动中央调整区域来调整色调。

也可以直接输入连接滑块的数值。输入数值时，**X** 的设置范围为-100 至 100，**Y** 的设置范围为-50 至 50。

►► 注释

- 用户定义在直接输入调整值后会自动显示，因此无法选择。

X、Y(单色调整值)

如有必要，可以手动调整单色色彩。

要调整色调，直接输入数值或单击向上/向下箭头。

也可以使用鼠标单击或拖动调整区域来调整色调。

该数值也连接水平和垂直滑块。

输入数值时，**X** 的设置范围为-100 至 100，**Y** 的设置范围为-50 至 50。
所选数值将显示在左侧的预览中。

重要事项

- 对于某些**介质类型**设置，该功能不可用。

匹配选项卡

可以选择调整色彩的方法以便与要打印文档的类型匹配。

色彩修正

可以选择**驱动校正**、**ICM**、**ICC 配置文件校正**或**无**以符合打印操作的用途。

重要事项

- 将**色彩模式**选择为**单色**或**单色(照片)**时，不会出现**匹配选项卡**。

驱动校正

使用驱动程序的原始色彩配置文件会以最佳色彩进行打印。通常应选择此模式。

ICC 配置文件校正

使用 ICC 配置文件执行色彩匹配。指定详细的输入配置文件、打印机配置文件和匹配方法，然后在打印时选择此项。可以使用数码相机或扫描仪 ICC 配置文件，或者使用配置文件创建工具创建的 ICC 配置文件。

ICM

在主计算机上使用 Windows ICM 功能执行色彩匹配。通过支持 ICM 功能的应用程序打印时，请选择此选项。

注释

- 使用 XPS 打印机驱动程序时，无法使用 **ICM**。

无

不在打印机驱动程序上执行色彩匹配的情况下进行打印。使用 Adobe Photoshop 等应用程序执行色彩匹配，或者使用配置文件创建工具或彩色图表打印时，请选择此选项。

重要事项

- 在应用程序软件中设置为不使用 ICM 时，**色彩修正的 ICM** 和 **ICC 配置文件校正** 不能使用。此外，还会出现打印不正确的情况。

输入配置文件

将**色彩修正**选择为 **ICC 配置文件校正**时，指定要使用的输入配置文件。

打印机配置文件

将**色彩修正**选择为 **ICC 配置文件校正**时，指定要使用的打印机配置文件。
通常选择**自动**，但也可以手动选择打印机配置文件。

渲染方法

将**色彩修正**选择为**驱动校正**、**ICM** 或 **ICC 配置文件校正**时，请指定要使用的匹配方法。

可感知(照片)/可感知

以接近监视器所显示的色调重现。要打印照片时，请选择此选项。

饱和度(海报)/饱和度

以使人们感到愉悦的色调重现。要打印海报或商业文档时，请选择此选项。

相对比色

当图像数据转换为打印机的色彩空间时，该方法转换图像数据，所以重现的色彩接近于共享的色彩区域。选择该方法以打印色彩接近原始色彩的图像数据。
重现像纸张上的白点一样的白点(背景颜色)。

绝对比色

此方法使用输入和输出 ICC 配置文件中的白点清晰度转换图像数据。
尽管白点的色彩和色彩平衡发生变化，但由于为组合配置文件，可能无法获得所需的输出结果。

重要事项

- 根据介质类型的不同，即使更改渲染方法设置，也可能获得相同的打印结果。
- 如果将色彩修正选择为驱动校正，则不会显示相对比色和绝对比色。

无色涂膜选项卡

指定无色涂膜设置。

执行无色涂膜时，打印机在打印面上应用晶亮色(CO)墨水，并且可以调整光泽度。

无色涂膜区域

设置无色涂膜区域。

自动

打印机会自动设置无色涂膜的区域和是否执行无色涂膜。
这可能会减少晶亮色(CO)墨水消耗量或者提高打印速度。

整体

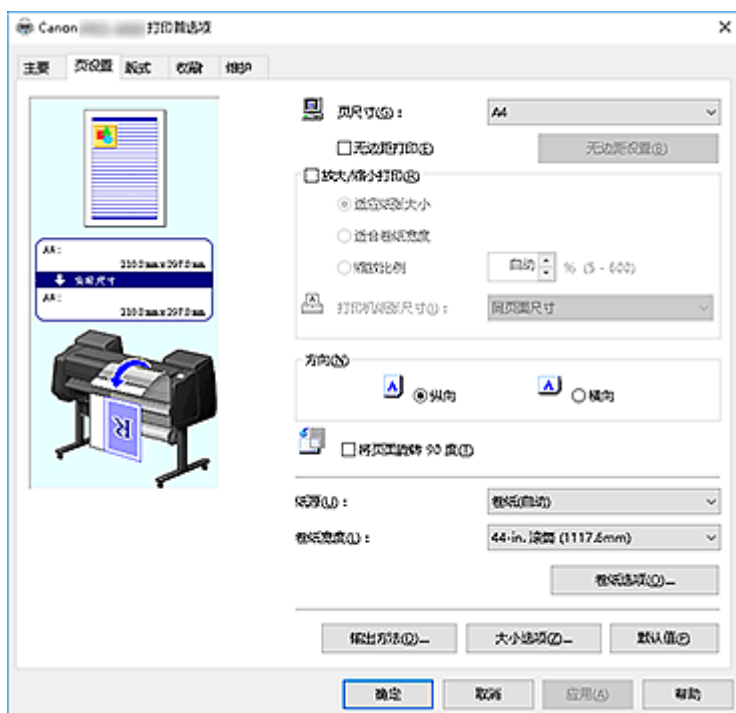
打印机将无色涂膜应用至整个打印区域。
如果选择自动后无色涂膜效果不理想，选择整体可能会改善结果。

重要事项

- 根据介质类型和打印质量，可能无法选择整体。

页设置选项卡的说明

使用页设置选项卡可以为文档设置无边距打印并指定缩放比例。



设置预览

纸张图示显示了如何在一张纸上布置原稿。

您可以查看整体布局图像。

打印机图示显示了如何装入符合打印机驱动程序设置的纸张。

开始打印前，查看图示以检查打印机是否设置正确。

页尺寸

选择页尺寸。

确保选择与在应用程序中所选择尺寸相同的页尺寸。

在自定义纸张中选择自定义大小时，将出现[自定义大小设置对话框](#)，并可以为纸张指定任一宽度和高度。

无边距打印

选择在无边距整页上还是带边距整页上打印。

如果使用无边距打印，原稿会被放大且略微超出纸张。这样可以执行无边距(边框)打印。

重要事项

- 将纸源选择为单页纸时，无边距打印显示为灰色且无法设置。

无边距设置

选择无边距打印使其可供点击。

打开[无边距设置对话框](#)，以便可以调整扩展量。

无边界打印方式

选择无边距打印时，将出现该项。

设置无边距打印的方法。

适应纸张大小

放大或缩小文档以适应要打印的纸张尺寸，然后打印文档。

进行缩放以适应卷纸宽度

可以放大或缩小文档以适合卷纸宽度，然后打印文档。

按照实际尺寸打印图像

以实际尺寸打印文档。

选中此复选框时，将出现**信息对话框**，可在其中选择**卷纸宽度**。

适应纸张大小

选中**适应纸张大小**复选框时，可以指定此设置。

选择要打印的纸张尺寸。

列表显示支持无边距打印的纸张尺寸。

放大/缩小打印

可以放大或缩小文档，然后进行打印。

选择**放大/缩小打印**时，可以设置**适应纸张大小**、**进行缩放以适应卷纸宽度**或**按照实际尺寸打印图像**。

适应纸张大小

放大/缩小文档以适合要打印的纸张尺寸，然后打印文档。

进行缩放以适应卷纸宽度

可以放大/缩小文档以适合卷纸宽度，然后打印文档。

按照实际尺寸打印图像

以实际尺寸打印文档。

选中此复选框时，将出现**信息对话框**，可在其中选择**卷纸宽度**。

适应纸张大小

选中**适应纸张大小**复选框时，可以指定此设置。

选择要打印的纸张尺寸。

方向

选择打印方向。

如果用于创建文档的应用程序具有相同的功能，请选择在此应用程序中选择的相同方向。

纵向

打印文档，使顶端和底端位置相对于进纸方向没有更改。此为默认设置。

横向

通过相对于进纸方向旋转 90 度打印文档。

将页面旋转 90 度

将文档长边旋转 90 度，使其与卷纸宽度相符，然后打印文档。

在卷纸上打印纵向文档时，可以将文档旋转 90 度，相当于将文档横放在纸张上进行打印以节省纸张。

纸源

显示供入纸张的来源。

可以用打印机驱动程序切换纸张来源。

卷纸(自动)

根据打印机驱动程序上的纸张设置与打印机上注册的纸张信息，打印机自动决定要使用的卷纸并送入该纸张。

卷纸 1

从卷纸 1 供纸。

卷纸 2

从卷纸 2 供纸。

单页纸

使用单页纸进纸。

重要事项

- 根据介质类型和尺寸，可选择的**纸源**设置可能不同。

卷纸宽度

选择卷纸宽度。

选择的宽度必须符合装入打印机的卷纸宽度。

卷纸选项

将显示[卷纸选项对话框](#)。

可以指定用于在卷纸上打印的自动裁切、条幅打印和其他设置。

输出方法...

将显示[输出方法对话框](#)。

可以选择**输出方法**并指定用于将文档保存到作业箱的保存设置。

大小选项...

将显示[纸张大小选项对话框](#)。

使用**纸张大小选项**对话框可以创建并注册任一自定义纸张。

自定义大小设置对话框

在该对话框上，您可以指定用户定义纸张的尺寸(宽度和高度)。

纸张尺寸

指定用户定义纸张的**宽度**和**高度**。根据**单位**中指定的单位显示测量。

单位

选择用于输入用户定义纸张尺寸的单位。

无边距设置对话框

进行无边距打印时，使用**扩展量**来调整文档超出纸张的扩展量。

扩展量

进行无边距打印时，调整文档超出纸张的扩展量。

向右移动滑块可增加扩展量并确保无边距打印顺利执行。

向左移动滑块可减少扩展量并扩大文档的打印范围。

卷纸选项对话框

可以指定用于在卷纸上打印的设置。

自动裁切

可以打印裁切线以在打印后自动或手动裁切卷纸。

是

打印后自动裁切卷纸。

否

打印后不自动裁切卷纸。

打印裁切线

打印裁切线以在打印后手动裁切卷纸。

条幅打印

选中此复选框可以将多页文档打印为一个连续文档，页面之间没有任何间隔。

输出方法对话框

可以选择**输出方法**并指定用于将文档保存到作业箱的保存设置。

输出方法

打印

打印结束后，打印作业将保存到打印机的硬盘驱动器中。

保存在作业箱

打印作业将保存到打印机的硬盘驱动器中。如果选择**保存在作业箱**，请从**作业箱**列表中选择单独的作业箱编号作为保存位置。

接收完成后打印

如果选择**打印**，可以指定此设置。

通过选中此复选框，可以防止在打印作业接收中断或打印中断时打印质量降低。

保存数据的名称

使用文件名

文件名称按原样使用。

以手动输入指定

可以设置新的名称。在**名称**中输入保存名称。

作业箱

将出现作业箱列表。如果选择**保存在作业箱**，请从列表中选择单独的作业箱编号作为保存位置。

获取作业箱名称

如果单击此项，**作业箱**将显示从打印机获取的作业箱名称。

纸张大小选项对话框

可以创建并注册任一用户定义纸张。然后可以从**页尺寸**的**自定义纸张**中选择定义的纸张尺寸。

纸张大小列表

显示打印机驱动程序可以使用的纸张尺寸名称和大小。

删除

可以从**纸张大小列表**删除用户创建的用户定义纸张。

►►► 注释

- 在下列情况下无法删除纸张：
 - 选择打印机驱动程序的标准纸张尺寸时
 - 选择超大纸张尺寸时
 - 选择带红色圆圈的纸张尺寸时

自定义纸张名称

可以指定用户定义纸张的名称。

单位

可以指定用户定义纸张的高度和宽度尺寸单位。

页尺寸

可以指定纸张的**宽度**和**高度**设置。

无边界打印尺寸

选中此复选框后，可以从支持**无边距打印**的纸张尺寸中选择一种尺寸。

固定宽度与高度的比率

选中此复选框后，可以在保持**宽度**和**高度**比率的同时更改尺寸。

宽度

指定纸张宽度。

高度

指定纸张高度。

注册至操作系统

在操作系统中注册已设置的用户定义纸张。

通过在操作系统中注册，任一共享使用打印机或计算机的用户可以使用已设置的用户定义纸张。

添加收藏夹

可以注册已设置的用户定义纸张并覆盖现有的用户定义纸张。

大小系列

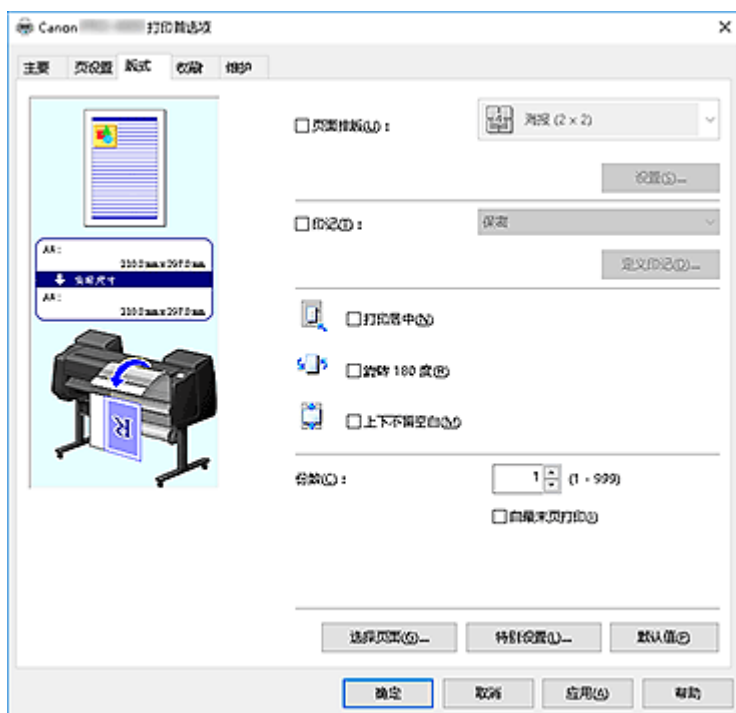
可以缩小要显示在**纸张大小列表**中的纸张尺寸范围。

特大

为防止裁切文档内容，请添加适当的页边距，然后打印文档。

版式选项卡的说明

使用**版式**选项卡可以指定文档在纸张上的排列方式。也可以设置要打印的份数和打印顺序。如果创建文档的应用程序软件具有相同的功能，请从应用程序软件指定设置。



设置预览

纸张图示显示了如何在一张纸上布置原稿。

您可以查看整体布局图像。

打印机图示显示了如何装入符合打印机驱动程序设置的纸张。

开始打印前，查看图示以检查打印机是否设置正确。

页面布局

选中待打印文档的尺寸和打印类型。

海报(1 x 2)/海报 (2 x 2)

执行海报打印。

括号中的值表示垂直长度与水平长度的比率。随着分割数目的增加，打印所需的纸张也会增加。如果将多页粘贴在一起制作海报，增加分割数目可以制作大型海报。

设置...

打开[指定页面对话框](#)。

仅打印特定页面时，指定此设置

Free Layout

可以自由放置和打印使用应用程序软件创建的文档。

设置...

打开[Free Layout 设定对话框](#)。

可以自由指定自由布局的详细设置。

2 页/张、4 页/张、6 页/张、8 页/张、9 页/张、16 页/张

在一张纸上指定多个页面并打印。数值表示指定到一张纸上的页数。

设置...

打开[页面布局打印对话框](#)。

可以自由指定所指定打印的详细设置。

印记

印记功能在文档页面上打印指定的字符。可以从列表中选择要打印的字符或使用[定义印记对话框](#)设置任何字符。

定义印记...

打开[定义印记对话框](#)。

可以指定详细的印记设置或注册任何印记。

打印居中

居中打印文档。

旋转 180 度

将文档旋转 180 度并打印。

上下不留空白

在卷纸上打印时，可以通过在打印时去除上下页边距以节省纸张。

份数

指定要打印的份数。可以指定一个从 1 到 999 之间的数值。

重要事项

- 如果用于创建文档的应用程序具有类似功能，请使用该应用程序指定份数，而不要在此处指定。

自最末页打印

要从末页开始打印，请选中该复选框。如果选中该复选框，则无需在打印后将页面排序为正确顺序。

取消选中该复选框可按正常顺序从第一页开始打印文档。

选择页面

打开[选择页面对话框](#)。

指定日期、用户名称和页码等打印信息的设置。

特别设置

打开[特别设置对话框](#)。

如果无法获得理想的打印效果，可以更改打印处理方法。

指定页面对话框

打印分割成多个页面的海报时，可以指定要打印的页面，并只打印这些页面。

清除不想打印的页面的复选框即可。

在设置视图中，将隐藏未选中的页面，仅显示要打印的页面。

反转

切换显示或隐藏页面。

注释

- 仅当页面布局选择为海报(1 x 2)或海报(2 x 2)时，才会显示指定页面对话框。

Free Layout 设定对话框

可以指定自由布局的详细设置。

纸张方向

选择打印方向。

如果用于创建文档的应用程序具有相同的功能，请选择在此应用程序中选择的相同方向。

纵向

打印文档，使顶端和底端位置相对于进纸方向没有更改。

横向

通过相对于进纸方向旋转 90 度打印文档。

卷纸长度

设置卷纸长度。

自动

自动确定卷纸长度，然后打印。

手动设置

确定并指定卷纸长度。

页序

指定在一张纸上打印的文档方向。

»» 注释

- 仅当**页面布局**选择为 **Free Layout** 时，才会显示 **Free Layout 设定**对话框。

页面布局打印对话框

在该对话框上，您可以选择要在一张纸上放置的文档数量、页面顺序以及是否在各文档页面周围打印页面边框线。

可以在打印机驱动程序的设置预览中确认在此对话框中指定的设置。

预览图标

显示**页面布局打印**对话框中的设置。

可以在实际打印数据前查看打印效果。

页序

指定在一张纸上打印的文档方向。

页面边框

在各文档页面周围打印页面边框线。

选中该复选框以打印页面边框线。

»» 注释

- 仅当**页面布局**选择为 **2 页/张**、**4 页/张**、**6 页/张**、**8 页/张**、**9 页/张**或 **16 页/张**时，才会显示**页面布局打印**对话框。

定义印记对话框

使用**定义印记**对话框可以指定用于在文档页面上打印印记的设置。除了预先注册的印记外，可以注册并使用自己原创的印记。

水印列表

这是预先注册的印记列表。

添加收藏夹

创建原创印记。

单击此项目可以设置**名称**、**文本**、**字体**、**风格**、**大小**和**颜色**。

名称

输入要注册的印记名称。

文本

输入要在印记中使用的字符。

字体

选择印记文本串的字体。

风格

选择印记文本串的字体样式。

大小

选择印记文本串的字号。

颜色

选择印记文本串的颜色。

删除

删除不需要的印记。

从**水印列表**中指定不需要的印记标题，然后单击该按钮。

外框

选择围绕印记文本串的外框。

水印类型

选择印记打印方法。

选择**透明**可以在文档下层打印印记，选择**重叠**可以在文档上层打印印记。

位置

指定页面上的印记位置。

可以在 **X** 和 **Y** 中指定数值设置坐标，也可以左右或上下拖动水平和垂直滑块更改坐标。

中央

将印记移至纸张中央。

角度

设置印记放置角度。

可以在**选择角度**中指定数值设置角度，也可以左右拖动滑块更改角度。

指定角度值时，请设置-180 到 180 范围内的数值。

仅在首页加印记

如果只要在第一页上打印印记，请选中该复选框。

选择页面对话框

指定日期、用户名称和页码等打印设置。

打印日期

选择日期的打印位置。

也打印时间

打印日期和时间。

打印用户名

选择用户名称的打印位置。

打印页码

选择页码的打印位置。

设定格式

[设定格式对话框](#)打开，可以在其中设置格式。

设定格式对话框

设置打印[选择页面](#)对话框中设置的内容时要使用的格式。

字体

选择字体类型。

风格

选择字体样式。

大小

选择字号。

颜色

选择字体颜色。

特别设置对话框

如果未获得想要的打印效果，可以使用**特别设置**对话框更改打印处理方法。

设置一览...

此表为可在**特别设置**对话框中设置的项目的列表。

单击要设置的项目时，将在对话框外部显示设置内容。

打印机驱动程序后台打印

设置是否要在打印机驱动程序中对打印作业进行后台打印，或是否要执行 PageComposer 处理。

设置**是**或**否**（EMF 后台打印）可能会改善打印效果。

FineZoom 设置

使用此功能可以在较长尺寸的纸张上打印。

是

可能会修正打印问题。

否

可能会修正图像失真(例如，可能会删除细线)。

转换预览

如果选中**主要**选项卡上的**打印前预览**复选框并进行打印，PageComposer 将启动。

应用颜色匹配优先

可以通过应用程序软件将色彩管理指定为较高的优先级。

高速图像处理

如果未能正确打印图像色彩或线条粗细，关闭此功能可能可以获得所需要的打印结果。

禁用应用程序软件的色彩配置文件设置

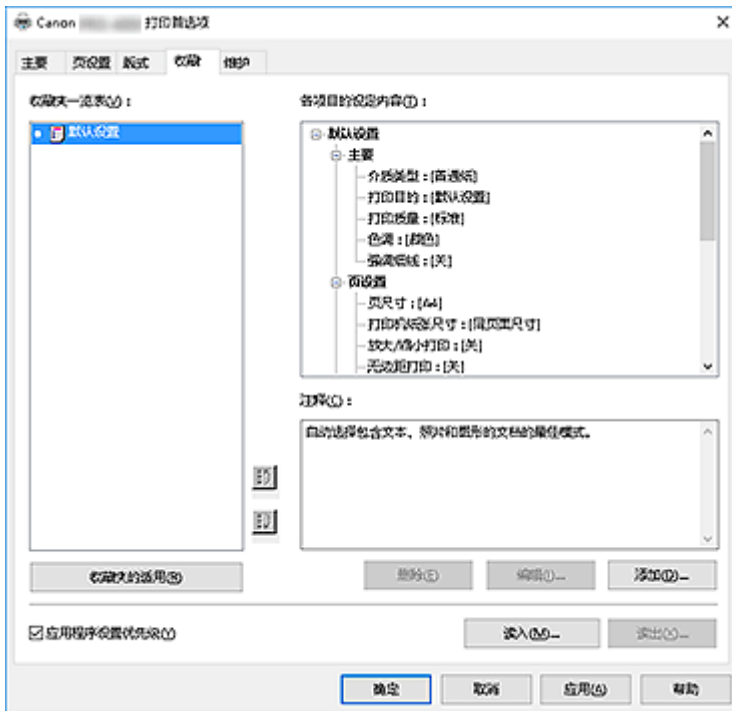
如果应用程序软件中设置色彩配置文件信息输出到打印机驱动程序，打印结果可能包含非所需色调。在这种情况下，可以通过将**禁用应用程序软件的色彩配置文件设置**设置为**开**来解决该问题。

▶▶▶ 重要事项

- 即使该选项设置为**开**，也只会禁用某些色彩配置文件信息，并且仍然可以使用色彩配置文件进行打印。
使用时，通常应将该选项设置为**关闭**。

收藏选项卡的说明

使用**收藏**选项卡可以将常用的打印设置注册为收藏设置。



收藏

将出现已注册的收藏夹设置列表。默认设置已注册至初始设置中。

详细资料

将出现从**收藏**中选择的收藏设置。

注释

将出现注册到收藏设置的注释。

收藏夹的适用

可以将打印设置更改为从**收藏**列表中选择收藏设置。

删除

可以删除不需要的收藏设置。

编辑...

[编辑收藏夹对话框](#)打开。

可以更改从**收藏**列表中选择收藏设置名称和图标设置。

添加...

[添加收藏夹对话框](#)打开。

可以将当前设置注册为收藏设置。

应用程序设置优先级

应用程序软件中的设置将优于打印机驱动程序上设置的收藏设置。

仅对**页尺寸**、**方向**和**份数**优先使用应用程序软件中的设置。

添加选中标记以优先使用应用程序软件的设置。

读入...

可以读取保存到文件中的收藏设置。

读出...

可以将收藏的设置保存到文件中。

编辑收藏夹对话框

可以更改从**收藏**列表中选择的收藏设置名称和图标。

名称

更改要显示在**收藏**列表中的名称。

图标

更改要显示在**收藏**列表中的图标。

注释

更改要显示在**注释**中的信息。

添加收藏夹对话框

可以将当前打印设置另存为收藏设置。

名称

设置要显示在**收藏**列表中的名称。

图标

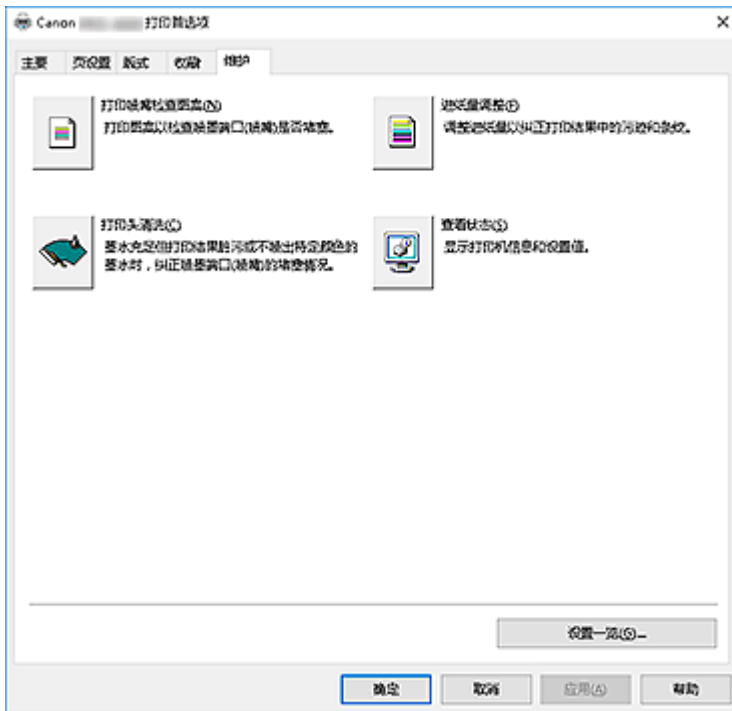
设置要显示在**收藏**列表中的图标。

注释

输入要显示在**注释**中的信息。

维护选项卡的说明

在**维护**选项卡上，可以执行打印机维护或更改打印机设置。



打印喷嘴检查图案

打印喷嘴检查图案。

如果打印变得暗淡或无法打印特定颜色，请执行该功能。打印喷嘴检查图案并检查打印头是否正常工作。

如果特定颜色的打印效果暗淡或部分内容缺失，请使用**打印头清洗**以清洗打印头。

纸源

显示当前为各个供纸位置设置的**介质类型**、**页尺寸**和**卷纸宽度**。



打印头清洗

执行打印头清洗。

进行打印头清洗可清除打印头喷嘴中的任何堵塞物。

如果在墨水充足的条件下，打印变得暗淡或无法打印特定颜色，请执行清洗。

有两种打印头清洗功能，如下所述。

清洗

如果在墨水充足的条件下，打印变得暗淡或无法打印特定颜色，请执行清洗。

系统清洗

系统清洗的清洗功能更为强大。如果反复**清洗**多次后状况仍未改善，请使用此功能。

重要事项

- **系统清洗**会消耗特别多的墨水。
频繁执行系统清洗会迅速耗尽打印机的墨水。因此，请仅在需要时执行系统清洗。



进纸量调整

如果打印结果暗淡或出现条纹，此功能将调整进纸量。



查看状态

此功能将显示打印机信息和设置值。

相关主题

- [清洗打印头](#)
- [打印喷嘴检查图案](#)

设备设置选项卡的说明

打印机属性窗口中的多个选项卡由 Windows 控制。但是，**设备设置**选项卡用于指定与打印机配置相关的设置，属于打印机驱动程序的一部分。

使用**设备设置**选项卡可以指定与打印机有关的设置。



卷纸单元

如果安装了下行卷纸单元，则此处会有一个选中标记。

►►► 注释

- 如果安装了内置于卷收设备的卷纸单元，则会清除该选中标记。

自动切换纸张来源(纸张大小优先)

根据要打印的纸张尺寸，在卷纸 1 和卷纸 2 之间自动切换后进行打印。

自动选择打印时产生最小页边距的卷纸，可以节省纸张。

►►► 重要事项

- 确保在打印机的上行和下行使用相同类型的纸张。使用不同类型的纸张时，无法进行打印。
- 请务必单击**设备设置**选项卡中的**获取状态**以获取卷纸宽度信息。如果未正确设置卷纸宽度，可能无法正确打印。
- 请务必将**页设置**中的**纸源**选择为**卷纸(自动)**。选择**卷纸(自动)**后，才能使用此功能。

卷纸宽度 1

设置装入上行(卷纸 1)的卷纸宽度。

卷纸宽度 2

设置装入下行(卷纸 2)的卷纸宽度。

更新介质信息

打开**更新介质信息**对话框。

从打印机获取最新的介质信息并更新打印机驱动程序中的介质信息。

帐户管理

打开帐户管理对话框。

通过设置**帐户管理**信息，可以添加打印作业 ID，并使用打印机和成本管理工具来汇总任何 ID 的打印历史记录信息。

►► 注释

- 只有具有管理员权限的用户才可设置**帐户管理**。
不具有管理员权限的用户可能无法设置帐户管理信息。

获取状态

从打印机获取卷纸单元安装信息、卷纸 1 或卷纸 2 的纸张宽度信息。

基于此信息，将自动切换**卷纸单元**、**自动切换纸张来源(纸张大小优先)**和卷纸宽度设置。

关于

可以检查打印机的版本。

帐户管理对话框

单击**帐户管理**可显示**帐户管理**对话框。

使用帐户管理对话框可以将 ID 添加至打印作业。然后可以使用 ID 以及打印机和成本管理工具来合计打印历史记录信息。

帐户 ID

输入要设置的帐户 ID。输入 ID，最多使用 20 个字母数字字符(0 到 9、a 到 z、A 到 Z)。

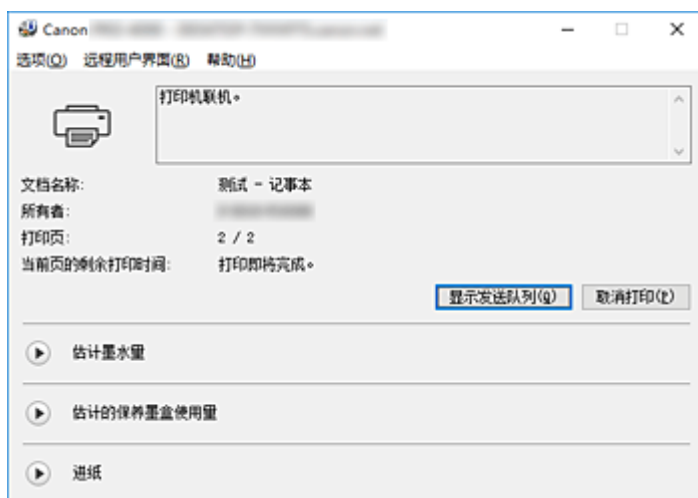
禁止更改帐户 ID

禁止对已设置的帐户 ID 进行更改。

选中此复选框可防止其他用户更改 ID。

Canon IJ 状态监视器描述

Canon IJ 状态监视器显示打印机状态以及打印进程。该监视器使用图形、图标和信息通知您打印机状态。



Canon IJ 状态监视器功能

Canon IJ 状态监视器具有以下优点：

可以在屏幕上检查打印机状态。

屏幕上实时显示打印机状态。

可以检查每个打印文档(打印作业)的打印进程。

屏幕上会显示错误类型和解决方案。

当打印机出现错误时显示。

可以立即查看应对方法。

可以检查墨水状态。

该功能以图形显示墨水盒类型和估计墨水量。

墨水不足时，会显示图标和信息(墨水量警告)。

Canon IJ 状态监视器概述

在 Canon IJ 状态监视器上，可以通过图形和信息检查打印机和墨水的状态。

可以在打印过程中检查有关打印文档和打印进程的信息。

当打印机出现错误时，会显示原因和解决方案。按照信息中的说明进行操作。

打印机

当打印机出现警告或错误时，Canon IJ 状态监视器会显示相应图标。



：显示警告。



：发生操作错误。



：提示剩余墨水量等。



：已出现需要维修的错误。

文档名称

显示待打印文档的名称。

所有者

显示待打印文档的所有者姓名。

打印页

显示打印页数和总打印页数。

当前页的剩余打印时间

将显示当前打印页面的剩余打印时间。

显示发送队列


显示用于管理正在打印或正在打印队列中的打印作业的打印窗口。

取消打印

取消当前打印作业。

估计墨水量

显示图标以报告剩余墨水量警告和墨水消耗错误。

单击  (可展开三角形) 将显示墨水盒中估计墨水量的图示。

购买墨水


将出现购买墨水的屏幕。可以使用此屏幕购买墨水。

墨水型号编号

可以为打印机查找正确的墨水盒。

估计的保养墨盒使用量

显示图标以报告维护用墨盒中的可用空间不足或墨盒已满。

单击  (可展开三角形) 将显示维护用墨盒中估计可用空间的图示。

进纸

将显示已装入各输送器的纸张尺寸和类型。还可以查看纸张剩余量。

选项菜单

如果选择 **启动状态监视器**，当产生与打印机有关的信息时，Canon IJ 状态监视器会启动。

选择 **启动状态监视器** 后，可以使用以下命令。

始终显示当前任务

在打印过程中显示 Canon IJ 状态监视器。

始终显示在最前部

将 Canon IJ 状态监视器显示在其他窗口前面。

自动显示警告

当出现“缺墨警告”时

当出现缺墨警告时，自动启动 Canon IJ 状态监视器窗口，并将其显示在其他窗口前面。

当出现保养墨盒警告时

出现维护用墨盒剩余空间警告时，Canon IJ 状态监视器将自动启动并显示在所有其他窗口的前方。

其他警告

出现任何其他警告时，Canon IJ 状态监视器将自动打开并显示在其他窗口之前。

Windows 启动时开始

当启动 Windows 时，自动启动 Canon IJ 状态监视器。

远程用户界面菜单

可以打开打印机的远程用户界面。

通过网络连接并使用打印机时，可以在打印机上查看打印机状态并运行维护功能。

»» 注释

- 通过 USB 连接使用打印机时，不会显示**远程用户界面**。

打印机信息

可以检查打印机状态、打印进程和剩余墨水量等详细信息。

维护

可以运行打印机维护和更改打印机设置。

作业日志

将显示**作业历史记录**窗口。

作业列表

将显示**打印作业**窗口。

HDD 信息

将显示**已保存的作业**窗口。

使用该窗口可以查看保存在打印机硬盘上的各个作业箱的信息。

墨水供应商的显示设置

将显示**墨水供应商信息**窗口。

下载安全证书

将显示**为确保通讯安全**窗口。

使用该窗口可以下载根证书，将其注册至浏览器并禁用警告显示。

帮助菜单

当选择该菜单项目时，会显示 Canon IJ 状态监视器的帮助窗口，您可以查看版本和版权信息。

更新打印机驱动程序

- ▶ 获取最新的打印机驱动程序
- ▶ 删除不需要的打印机驱动程序
- ▶ 安装打印机驱动程序之前
- ▶ 安装打印机驱动程序

获取最新的打印机驱动程序

将打印机驱动程序更新为打印机驱动程序的最新版本，可能会解决一些未解决的问题。

通过单击**主要**选项卡中的**关于**按钮，可以查看打印机驱动程序的版本。

您可以访问我们的网站，并为您的机型下载最新的打印机驱动程序。

重要事项

- 打印机驱动程序可以免费下载，但是您必须自己支付网络连接的费用。
- 在安装最新的打印机驱动程序之前，请[删除以前安装的版本](#)。

相关主题

- [安装打印机驱动程序之前](#)
- [安装打印机驱动程序](#)

删除不需要的打印机驱动程序

可以删除不再使用的打印机驱动程序。

当删除打印机驱动程序时，首先退出所有运行中的应用程序。

删除不需要的打印机驱动程序的步骤如下：

1. 启动卸载程序

- 如果正在使用 Windows 10，右键单击**开始菜单**，然后选择**控制面板 -> 程序 -> 卸载程序**。
从程序列表中，选择“XXX Printer Driver”（“XXX”表示型号名称），然后单击**卸载**。
- 如果正在使用 Windows 8.1 或 Windows 8，从桌面的超级按钮中选择**设置 -> 控制面板 -> 程序 -> 程序和功能**。
从程序列表中，选择“XXX Printer Driver”（“XXX”表示型号名称），然后单击**卸载**。
- 如果正在使用 Windows 7 或 Windows Vista，选择**开始菜单 -> 控制面板 -> 程序 -> 程序和功能**。
从程序列表中，选择“XXX Printer Driver”（“XXX”表示型号名称），然后单击**卸载**。

出现卸载型号确认窗口。

重要事项

- 启动、安装或卸载软件时，可能会出现确认/警告对话框。
当需要管理权限以执行任务时，会出现该对话框。
当您以计算机管理员帐户登录时，单击**是**(或**继续、允许**)以继续。
有些应用程序需要计算机管理员帐户才能继续。在这种情况下，请切换到管理员帐户，然后重新开始操作。

2. 执行卸载程序

单击**执行**。出现确认信息时，单击**是**。

删除所有文件后，单击**完成**。

打印机驱动程序删除完成。

重要事项

- 当卸载打印机驱动程序时，将同时删除打印机驱动程序和 XPS 打印机驱动程序。

安装打印机驱动程序之前

本部分描述安装打印机驱动程序之前应检查的项目。 如果无法安装打印机驱动程序，也请参阅本部分内容。

检查打印机状态

- 关闭打印机。

检查计算机设置

- 终止所有运行的应用程序。
- 以具有管理员帐户的用户登录。

重要事项

- 在安装最新的打印机驱动程序之前，请[删除以前安装的版本](#)。

相关主题

- [获取最新的打印机驱动程序](#)
- [安装打印机驱动程序](#)

安装打印机驱动程序

可以通过互联网访问我们的网站，并为您的机型下载最新的打印机驱动程序和 XPS 打印机驱动程序。

安装下载的打印机驱动程序的步骤如下：

1. 关闭打印机

2. 启动安装程序

双击下载文件的图标。

安装程序开始。

重要事项

- 启动、安装或卸载软件时，可能会出现确认/警告对话框。当需要管理权限以执行任务时，会出现该对话框。当您以计算机管理员帐户登录时，单击**是**(或**继续**、**允许**)以继续。有些应用程序需要计算机管理员帐户才能继续。在这种情况下，请切换到管理员帐户，然后重新开始操作。

3. 安装打印机驱动程序

请按照屏幕上的说明采取适当的操作。

4. 完成安装

单击**完成**。

根据使用的环境，可能会出现提示您重新启动计算机的信息。要正确完成安装，请重新启动计算机。

重要事项

- 可以使用与安装打印机驱动程序相同的步骤安装 XPS 打印机驱动程序。但是，安装 XPS 打印机驱动程序时，请首先完成打印机驱动程序的安装。
- 打印机驱动程序和 XPS 打印机驱动程序可以免费下载，但是您必须自己支付网络连接的费用。
- 在安装最新的打印机驱动程序之前，请[删除以前安装的版本](#)。

相关主题

- [获取最新的打印机驱动程序](#)
- [删除不需要的打印机驱动程序](#)
- [安装打印机驱动程序之前](#)

Mac OS 软件

▶ 打印机驱动程序

- 打印机驱动程序概述
- 打印对话框的说明
- 更新打印机驱动程序

▶ 使用 Canon 应用程序软件打印

- Preview 指南
- Free Layout 指南
- Quick Utility Toolbox 指南
- Print Studio Pro 指南
- 数码照片打印指南
- Media Configuration Tool 指南
- Device Management Console 指南
- Accounting Manager 指南

管理打印作业

- ▶ **检查打印作业信息**
- ▶ **Accounting Manager 指南**
- ▶ **基本打印作业操作**
 - 使用打印机硬盘
 - 将打印作业保存到打印机硬盘
 - 管理作业队列(删除或占用其他作业)
 - 管理等待中的作业(打印或删除保留作业)
 - 打印保存的作业
 - 删除保存的作业
 - 移动保存的作业
- ▶ **高级打印作业操作**
 - 保存从打印机驱动程序以外的来源发送的打印作业
 - 在不保存至通用作业箱的情况下打印
 - 设置个人作业箱密码
 - 命名个人作业箱
 - 显示已保存作业的列表
 - 打印已保存作业的列表
 - 显示已保存作业的详细信息
 - 重命名已保存的作业
 - 打印机硬盘操作
 - 检查可用硬盘空间

检查打印作业信息

使用 Web 浏览器或操作面板检查打印机硬盘上的打印作业详细信息或打印打印机硬盘上的指定作业。

- **使用 Web 浏览器：**

使用 Web 浏览器登录到打印机。

- [使用 Web 浏览器更改设置](#)

登录到打印机之后，请选择**作业管理**并执行操作。

- **使用操作面板：**

在主页屏幕上选择**作业管理**并执行操作。

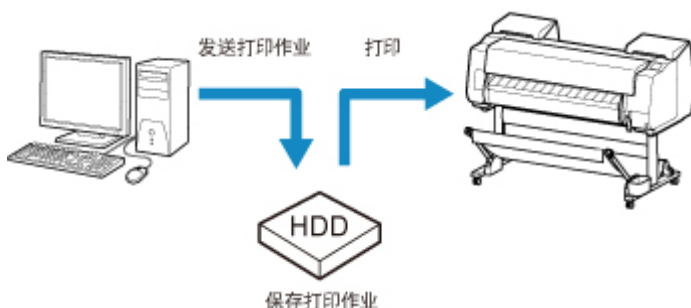
基本打印作业操作

- ▶ 使用打印机硬盘
- ▶ 将打印作业保存到打印机硬盘
- ▶ 管理作业队列(删除或占用其他作业)
- ▶ 管理等待中的作业(打印或删除保留作业)
- ▶ 打印保存的作业
- ▶ 删除保存的作业
- ▶ 移动保存的作业

使用打印机硬盘

打印机可在内置硬盘上保存打印作业。

使用打印机上存储的打印作业，可以在不使用计算机的情况下根据需要再次打印作业。



保存打印作业具有以下好处。

- **节省使用计算机的时间**

将打印作业发送到打印机时，可以在打印后将其保存在打印机，或可以将其直接保存在打印机而不进行打印。以后可以按所需的份数打印保存的打印作业，无需再使用计算机。

- **如果发生错误，直接重新打印**

如果打印过程中出现错误(比如纸张用完时)，可在清除错误后继续打印，无需从计算机重新发送打印作业。

- **提高打印工作效率**

无需使用计算机，即可选择打印作业并按照所需的份数进行打印。还可同时选择多个打印作业以进行打印。例如，可在夜间进行无人值守操作。

输出方法

要将打印作业保存到打印机的硬盘，需要配置打印机驱动程序。

在 Windows 下，使用**输出方法**对话框对此进行设置。

在 Mac OS 上，通过在打印机属性对话框弹出菜单中选择**其他设置**对其进行设置。

打印

将打印作业保存到打印机硬盘的临时存储区域时，执行打印。

保存在作业箱

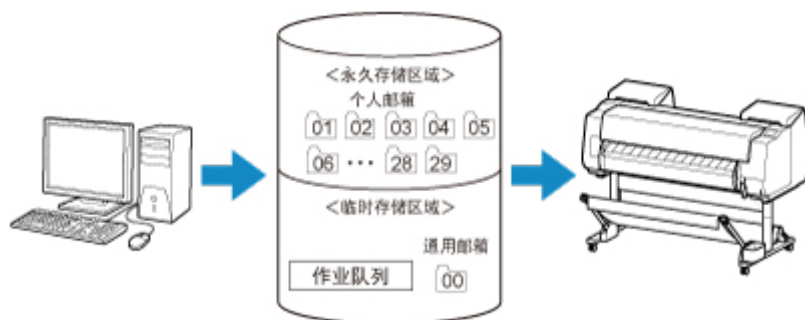
将打印作业保存到打印机硬盘的永久存储区域。选择此项不会开始打印。

接收完成后打印

选择**打印**时，可结合使用该选项。可以防止因打印作业接收中断或打印在中途中断而造成的打印质量下降。

存储目标

打印机硬盘上的存储区域分为临时存储区域和永久存储区域。临时存储区域储存作业队列或共享邮箱中的打印文件。永久存储区域储存个人作业箱中的作业。



作业队列

作业队列是指打印机正在处理(保存、接收、准备处理、打印、删除或保留)的打印作业。临时存储区域最多可储存 100 个作业。

但是，最多只有 64 个作业可用作排队作业。

共享邮箱

将**输出方法**指定为**打印**的作业保存到共享邮箱中，并列为已保存作业。

有一个共享邮箱，编号为“00”。不能为该共享邮箱设置密码。

此处最多可保存 100 个打印作业。但是，在以下情况下，将从时间最早的作业开始依次删除。

- 如果共享邮箱中排队并保存的作业总数超过 101 个
- 如果接收将**输出方法**选择为**打印**的作业时，不再有可用的临时存储空间
- 如果接收将**输出方法**选择为**保存在作业箱**的作业时，没有足够的临时或永久存储空间。

个人作业箱

在以下情况下，作业被列为已保存作业并保存到个人作业箱中。

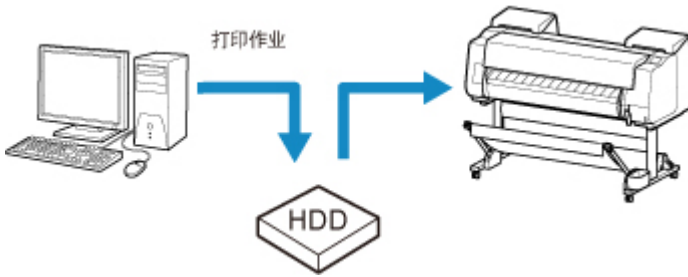
- 将共享邮箱中存储的已保存作业移动到个人作业箱时
- 在**输出方法**中选择了邮箱保存选项

有 29 个人作业箱，编号为从“01”到“29”。可以为每个个人作业箱设置一个名称和密码。

所有个人作业箱总计最多可以保存 100 个打印作业。

将打印作业保存到打印机硬盘

要将打印作业保存到打印机的硬盘，需要配置打印机驱动程序。

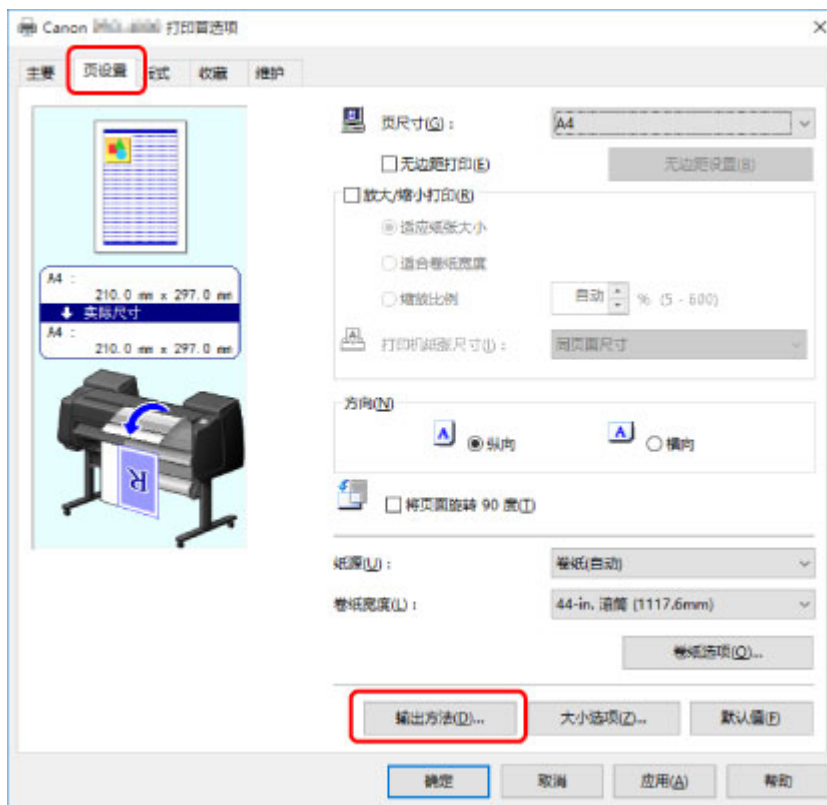


配置打印机驱动程序(Windows)

1. 打开打印机属性对话框。

■ [如何打开打印机驱动程序设置窗口](#)

2. 访问页设置选项卡。



3. 单击输出方法以显示输出方法对话框。



4. 在输出方法中进行选择。

打印

将打印作业保存到打印机硬盘的临时存储区域时，执行打印。

保存在作业箱

将打印作业保存到打印机硬盘的永久存储区域。选择此项不会开始打印。

如果选择**保存在作业箱**，请同时在**作业箱**列表中指定目标个人作业箱。

接收完成后打印

选择**打印**时，可结合使用该选项。可以防止因打印作业接收中断或打印在中途中断而造成的打印质量下降。

►► 注释

- 单击**获取作业箱名称**以在**作业箱**列表显示从打印机获取的个人作业箱名称。

5. 在保存数据的名称中，指定如何命名保存的打印作业。

要使用文件名称，请选择**使用文件名**。

否则，请选择**以手动输入指定**并在**名称**中输入名称。

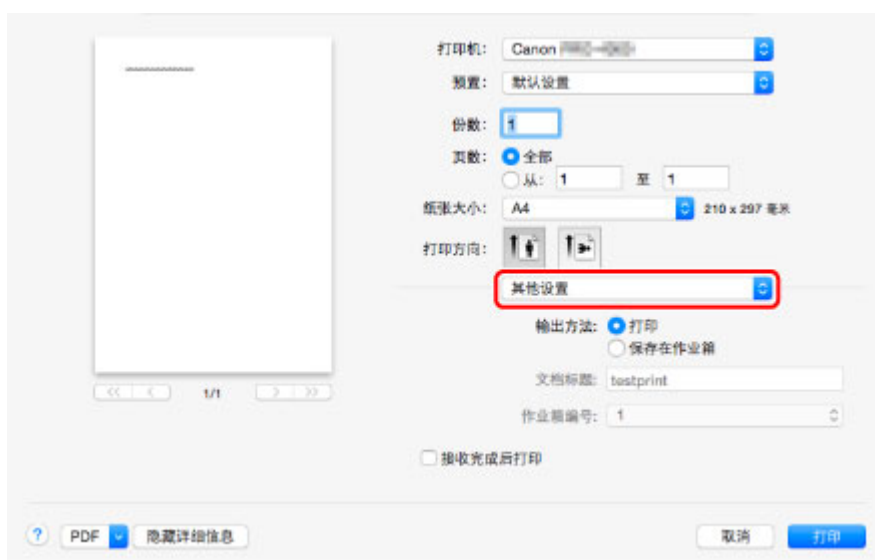
6. 单击**确定**以关闭输出方法对话框。

配置打印机驱动程序(Mac OS)

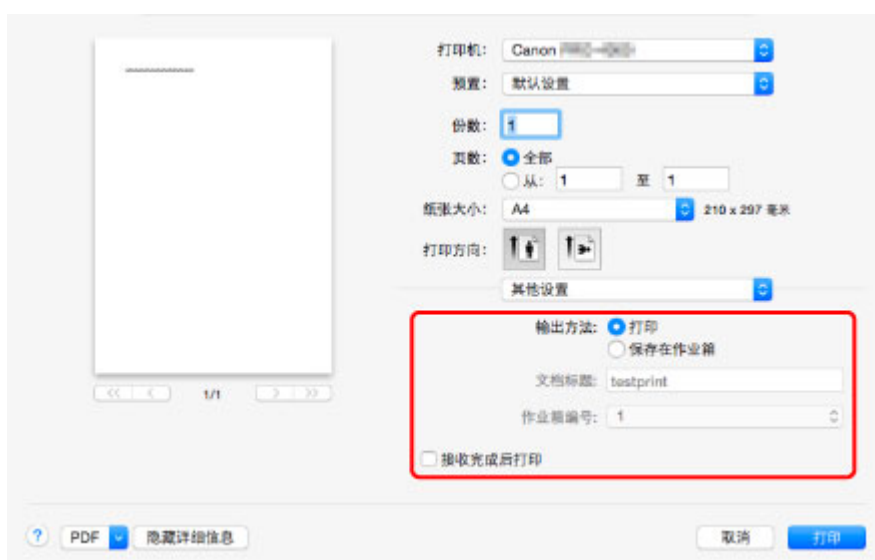
1. 打开打印机属性对话框。

- 如何打开打印机驱动程序设置窗口

2. 在弹出菜单中选择**其他设置**。



3. 在输出方法中进行选择。



打印

将打印作业保存到打印机硬盘的临时存储区域时，执行打印。

保存在作业箱

将打印作业保存到打印机硬盘的永久存储区域。选择此项不会开始打印。

如果选择**保存在作业箱**，请从**作业箱编号**中选择个人作业箱编号。

接收完成后打印

选择**打印**时，可结合使用该选项。可以防止因打印作业接收中断或打印在中途中断而造成的打印质量下降。

管理作业队列(删除或占用其他作业)

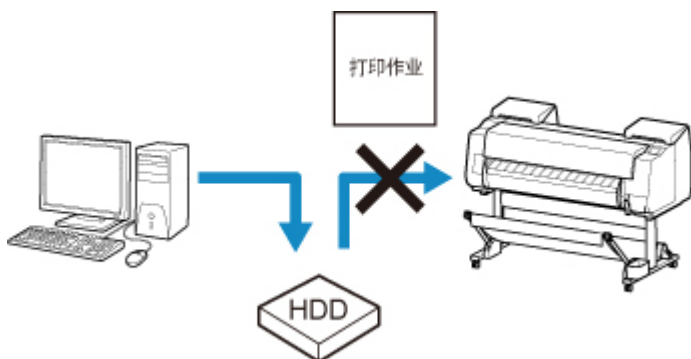
打印机正在处理的打印作业统称为作业队列。可以根据需要删除或抢占作业队列中的作业。

可以使用操作面板或远程用户界面执行此操作。

- [使用操作面板](#)
- [使用远程用户界面](#)

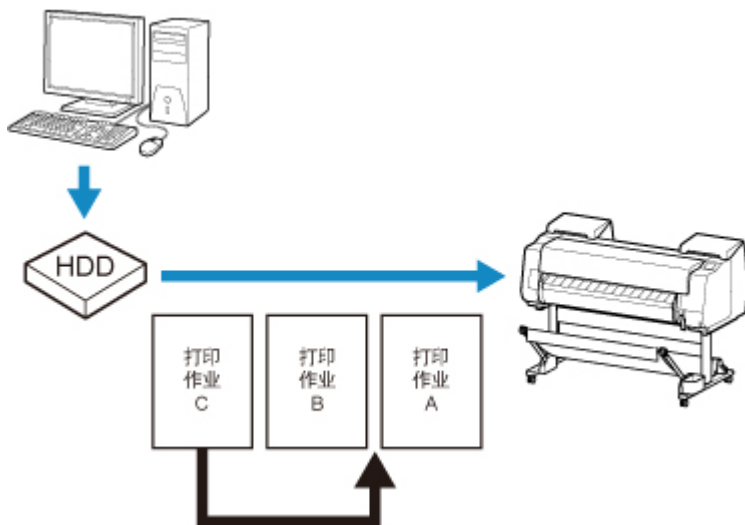
• 删除

请注意，仅可以在作业队列中删除当前未处于删除状态的作业。



• 抢占其他作业

可以先打印正在接收的打印作业以抢占其他作业。



»» 注释

- 有关管理暂停作业的信息，请参见[管理等待中的作业\(打印或删除保留作业\)](#)。

使用操作面板

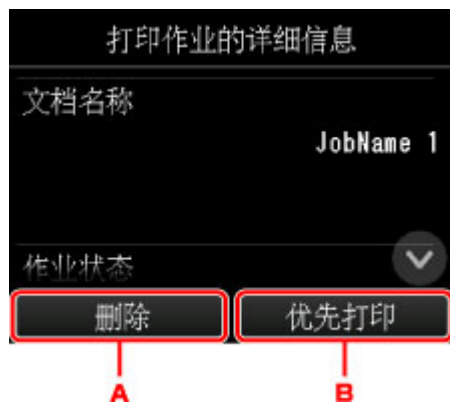
1. [确保打印机已开启。](#)

2. 滑动主页屏幕，然后点击  作业管理。

- [菜单操作](#)

3. 点击**打印作业**。
4. 点击**数据**以删除数据或执行抢占打印。

出现以下屏幕。



- A. 点击以删除数据。
- B. 点击以执行抢占打印。

5. 检查显示的信息，然后点击**是**。

使用远程用户界面

1. [在 Web 浏览器中显示打印机状态。](#)
2. 在**菜单**页面中，选择**作业管理**。
3. 选择**打印作业**。
出现打印作业列表。
4. 选择打印作业，然后选择**删除**或**优先**。



管理等待中的作业(打印或删除保留作业)

在操作面板上已将**检测纸张设置不匹配**设置为**保留作业**时，如果装入的纸张类型或尺寸不符合所接收的打印作业，则打印作业将在打印机中暂停，作为作业队列中的待定作业。

按照以下说明管理保留作业。

可以使用操作面板或远程用户界面执行此操作。

►► 注释

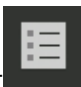
- 只要不从操作面板管理保留作业，这些作业将一直留在作业队列中。在这种情况下，打印机会继续处理队列中的下一个作业，中间不会暂停。
- 要打印保留作业，请将装入的纸张更换为打印作业中指定的纸张。

- [将上行卷纸装入打印机](#)
- [将单页纸安装到打印机上](#)

- [使用操作面板](#)
- [使用远程用户界面](#)

使用操作面板


1. [确保打印机已开启。](#)

2. 滑动主页屏幕，然后点击  **作业管理**。

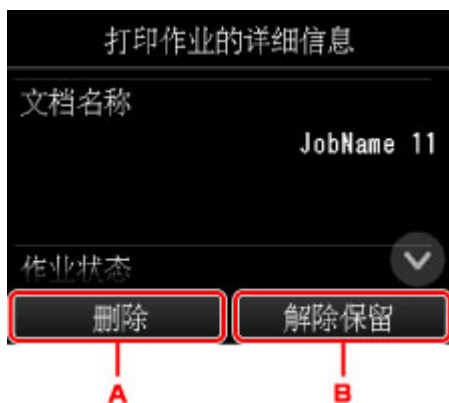
- [菜单操作](#)

3. 点击**打印作业**。

出现打印作业列表。

4. 点击左侧带有  图标的打印作业。

出现以下屏幕。



- A. 点击以删除数据。
- B. 点击以解除保留。

5. 检查显示的信息，然后点击是。


使用远程用户界面

1. [在 Web 浏览器中显示打印机状态。](#)

2. 在菜单页面中，选择**作业管理**。

3. 选择**打印作业**。

出现打印作业列表。

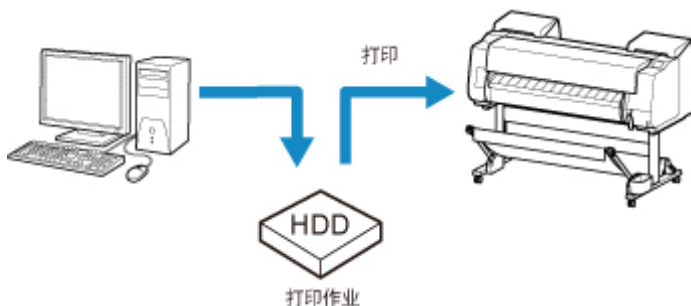
4. 选择左侧带有  图标的打印作业并选择**删除**或**解除保留**。



打印保存的作业

按如下方式打印存储在打印机硬盘上的已保存打印作业。

可以使用操作面板或远程用户界面执行此操作。



- [使用操作面板](#)
- [使用远程用户界面](#)

使用操作面板

1. [确保打印机已开启。](#)

2. 滑动主页屏幕，然后点击  作业管理。

- [菜单操作](#)

3. 点击已保存的作业。

出现作业箱列表屏幕。

4. 点击作业箱。

▶▶▶ 注释

- 如果启用了密码，请输入该密码。

5. 点击作业列表。

6. 点击要打印的作业。

7. 在显示的屏幕上点击开始打印。

出现以下屏幕。



A. 点击以显示以下屏幕。指定份数。



8. 点击开始打印。

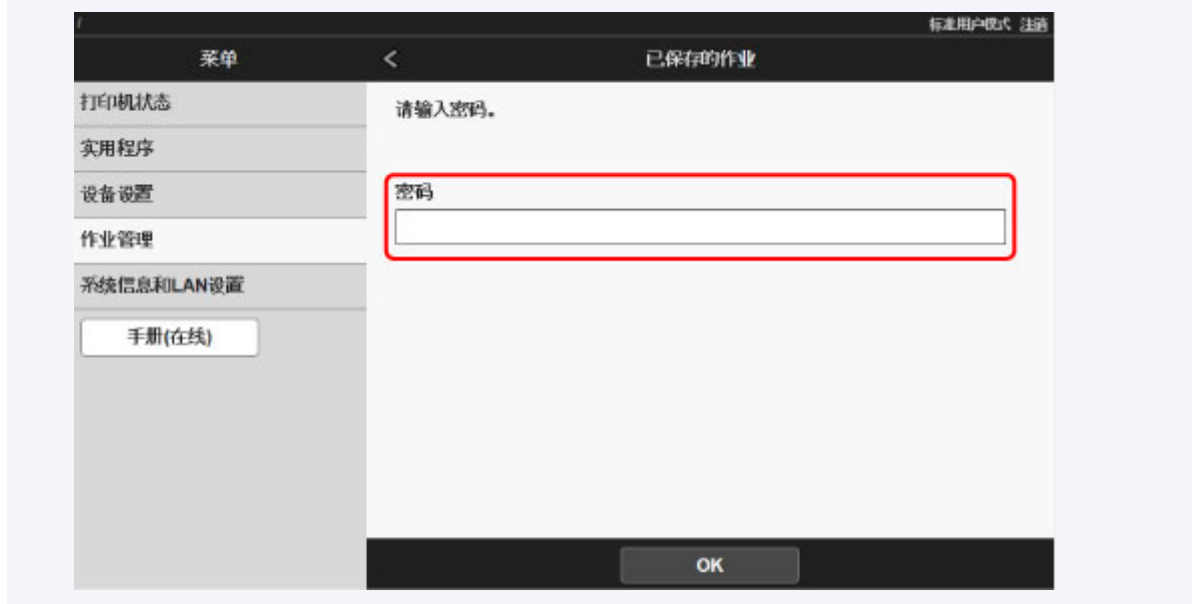
使用远程用户界面

1. [在 Web 浏览器中显示打印机状态。](#)
2. 在菜单页面中，选择**作业管理**。
3. 选择**已保存的作业**。
出现已保存作业的列表。
4. 在**已保存的作业**页面中选择作业箱。



▶▶▶ 注释

- 如果为保存箱启用了密码，请输入该密码。



5. 选择已保存作业，然后选择打印。



6. 在份数中输入要打印的数量，然后选择是。



删除保存的作业

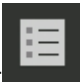
按如下方式删除存储在打印机硬盘上的已保存打印作业。

可以使用操作面板或远程用户界面执行此操作。

- [使用操作面板](#)
- [使用远程用户界面](#)

使用操作面板

1. [确保打印机已开启。](#)

2. 滑动主页屏幕，然后点击  作业管理。

- [菜单操作](#)

3. 点击已保存的作业。

出现作业箱列表屏幕。

4. 点击作业箱。

▶▶▶ 注释

- 如果启用了密码，请输入该密码。

5. 点击作业列表。

6. 点击要删除的作业。

7. 点击删除。

8. 在显示的屏幕上点击是。

使用远程用户界面

1. [在 Web 浏览器中显示打印机状态。](#)

2. 在菜单页面中，选择作业管理。

3. 选择已保存的作业。

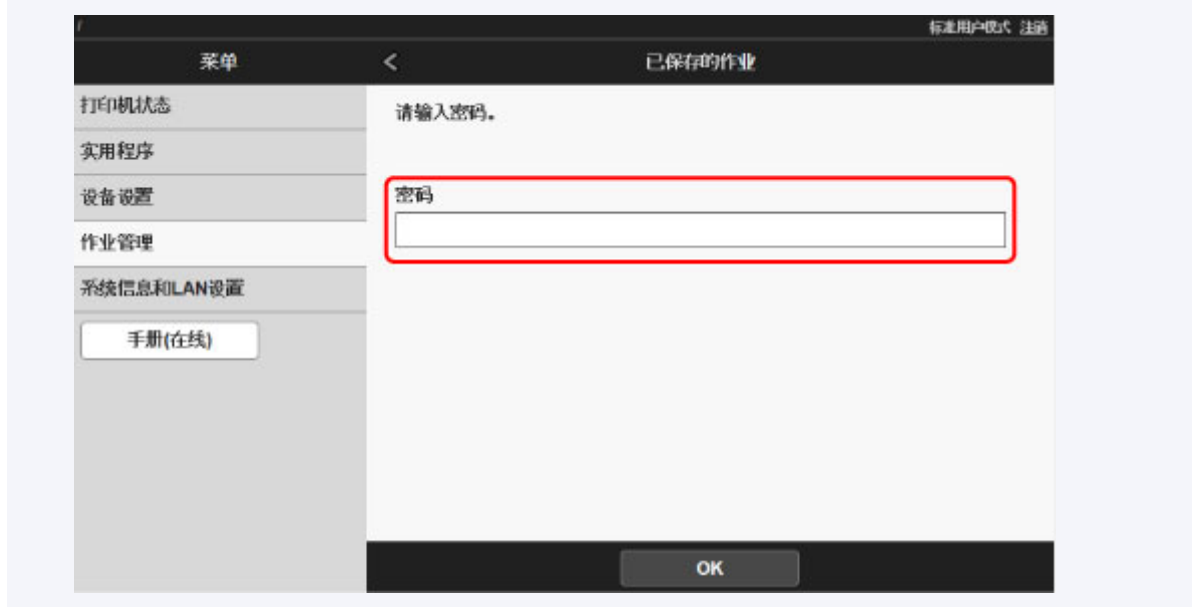
出现已保存作业的列表。

4. 在已保存的作业页面中选择作业箱。



注释

- 如果为保存箱启用了密码，请输入该密码。



5. 选择已保存作业，然后选择**编辑**。



6. 在显示的屏幕上选择删除。



移动保存的作业

如下所示，可以将存储在打印机硬盘内的打印作业(已保存作业)从当前作业箱移动到其他作业箱。

但是，个人作业箱内保存的作业不能移动到共享邮箱。

可以使用远程用户界面进行此操作。



重要事项

- 在某些情况下，存储在共享邮箱内的作业可能会被自动删除。要防止作业被删除，可将作业从共享邮箱移到个人作业箱。

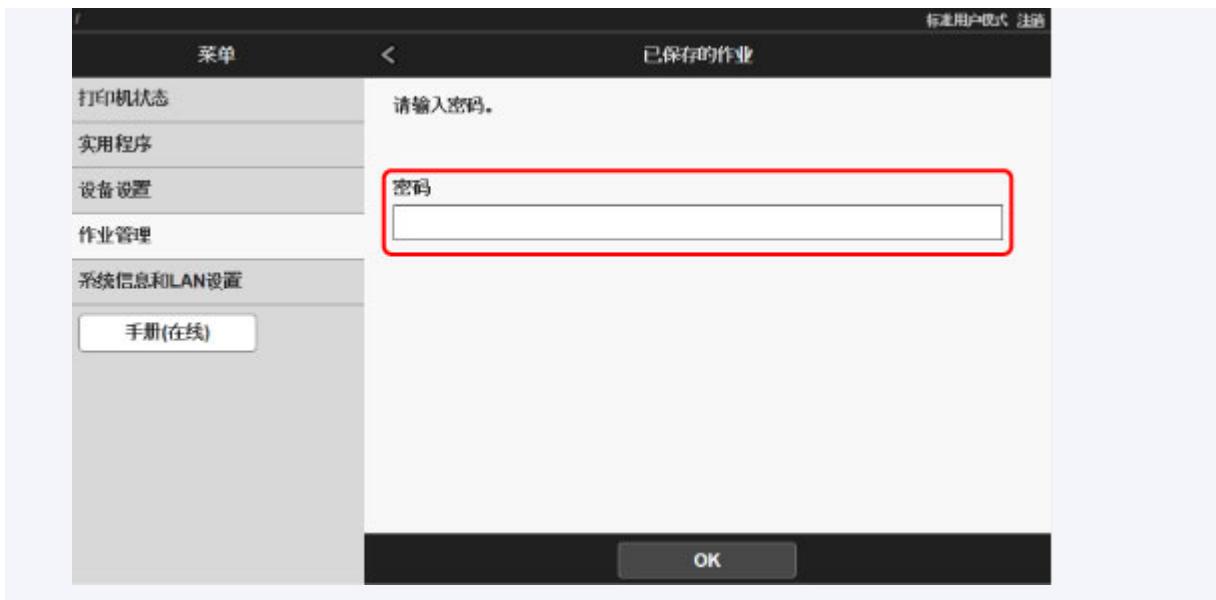
■ [使用打印机硬盘](#)

1. [在 Web 浏览器中显示打印机状态。](#)
2. 在菜单页面中，选择作业管理。
3. 选择已保存的作业。
出现已保存作业的列表。
4. 在已保存的作业页面中选择作业箱。



注释

- 如果为保存箱启用了密码，请输入该密码。



5. 选择已保存作业，然后选择**编辑**。

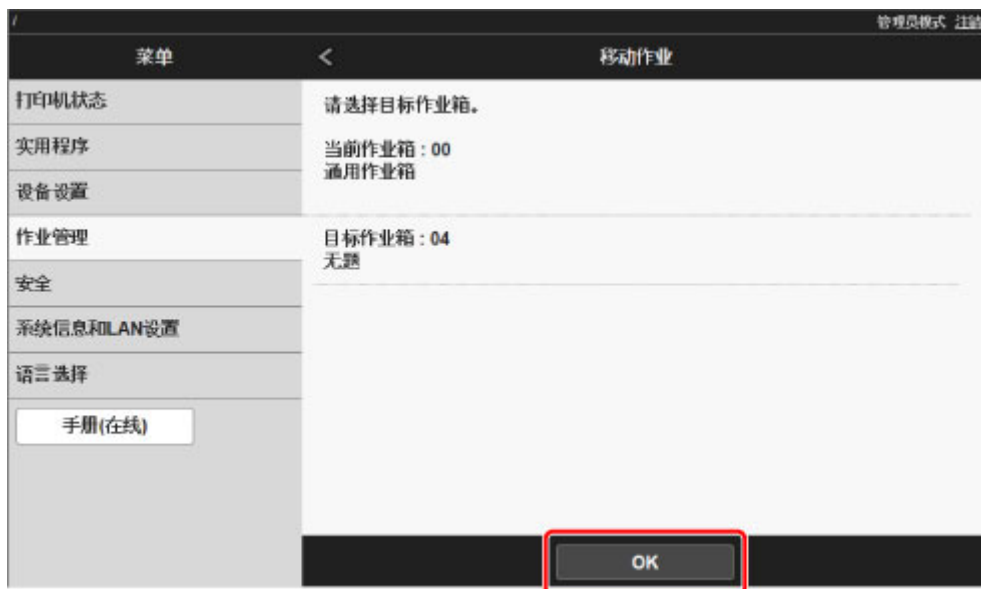


6. 在显示的屏幕上选择**移动**。

7. 在**移动作业**页面中选择目标作业箱。



8. 在目标作业箱列表上选择目标个人作业箱的名称或编号，然后在显示的屏幕上选择 **OK**。

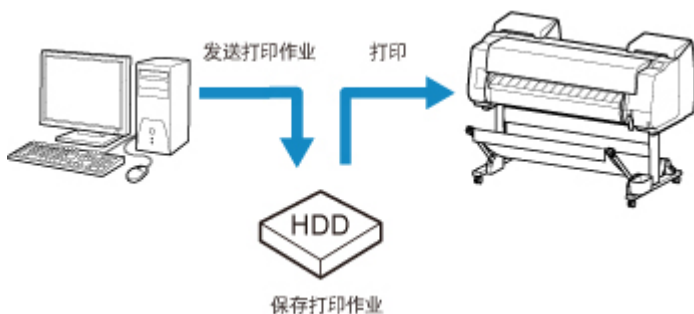


高级打印作业操作

- ▶ 保存从打印机驱动程序以外的来源发送的打印作业
- ▶ 在不保存至通用作业箱的情况下打印
- ▶ 设置个人作业箱密码
- ▶ 命名个人作业箱
- ▶ 显示已保存作业的列表
- ▶ 打印已保存作业的列表
- ▶ 显示已保存作业的详细信息
- ▶ 重命名已保存的作业
- ▶ 打印机硬盘操作
- ▶ 检查可用硬盘空间

保存从打印机驱动程序以外的来源发送的打印作业

要保存来自打印机附带的打印机驱动程序或应用程序以外的软件或系统的打印作业，请使用操作面板指定输出方法并选择保存打印数据后用于打印的设置。



注释

- 有关软件或系统是否支持该打印机功能，请联系其开发商。

重要事项

- 如果已启用使用操作面板更改设置，则更改设置需要管理员密码。

指定输出方法

保存打印数据后进行打印

指定输出方法

执行用于打印或保存打印作业的设置。

1. [确保打印机已开启。](#)

2. 滑动主页屏幕，然后单击  设备设置。

菜单操作

3. 单击**硬盘设置**。

4. 如果启用了管理员密码，请输入该密码。

5. 单击**输出方法**。

选择以下方法。

打印

打印时自动保存打印作业。(此为默认格式。)

打印(自动删除)

打印时暂时保存打印作业，打印完成后将其删除。

保存至作业箱


将打印作业保存至打印机上。

保存打印数据后进行打印

要在打印之前将打印作业保存到硬盘内，请将**开**选择为**先保存再打印**。

先保存再打印设置为**开**时，打印将开始，即使在**保存至作业箱**中选择**输出方法**也是如此。

1. [确保打印机已开启。](#)

2. 滑动主页屏幕，然后点击 **设备设置**。

■ [菜单操作](#)

3. 点击**硬盘设置**。
4. 如果启用了管理员密码，请输入该密码。
5. 点击**先保存再打印**。
6. 点击**开**。

在不保存至通用作业箱的情况下打印

打印机驱动程序**输出方法**选择了**打印**时，从计算机发出的打印作业会被保存到共享邮箱中。

■ [使用打印机硬盘](#)

如果在操作面板菜单中将**通用作业箱设置**设置为**打印(自动删除)**，在打印机驱动程序中已将**打印**选择为**输出方法**的打印作业将在打印后从共享邮箱内删除。

打印高度机密文档时，请使用该功能。

▶▶▶ **重要事项**

- 如果已启用使用操作面板更改设置，则更改设置需要管理员密码。

1. [确保打印机已开启。](#)

2. 滑动主页屏幕，然后点击 **设备设置**。

■ [菜单操作](#)

3. 点击**硬盘设置**。

4. 如果启用了管理员密码，请输入该密码。

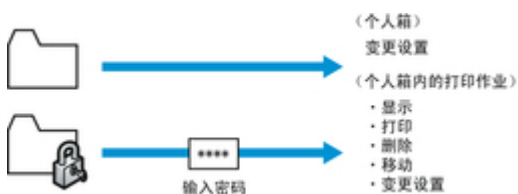
5. 点击**通用作业箱设置**。

6. 点击**打印(自动删除)**。

设置个人作业箱密码

如果要提高安全性，可以为个人作业箱指定密码。设置密码后，更改个人作业箱的设置，以及显示、打印、删除、移动和更改保存在个人作业箱内的作业时均需要该密码。

可以使用远程用户界面进行此操作。



注释

- 默认状态下，个人作业箱没有设置密码。
- 不能为该共享邮箱设置密码。
- 输入一个范围在 0001-9999 之间的四位数字作为密码。
- 即使已设置密码，在远程用户界面的管理员模式下访问个人作业箱也不需要密码。

1. [在 Web 浏览器中显示打印机状态。](#)

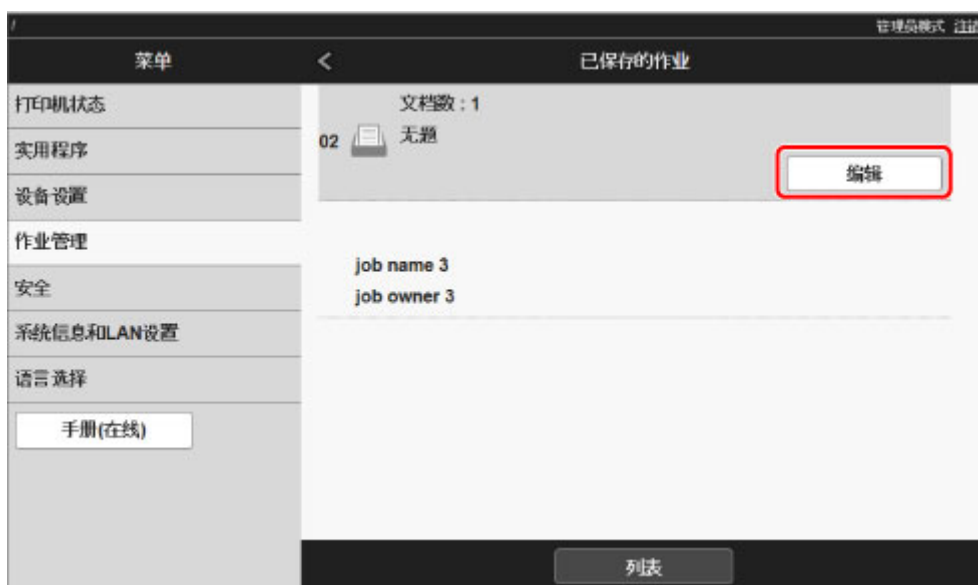
2. 在菜单页面中，选择作业管理。

3. 选择已保存的作业。

出现已保存作业的列表。

4. 在已保存的作业页面中选择作业箱。

5. 选择编辑。



6. 在编辑作业箱对话框中，指定密码。



7. 输入密码。(此字段限定为 0001-9999 范围内的一个四位数字。)

8. 选择 **OK**。

命名个人作业箱

为了便于识别，可以为个人作业箱指定名称。

可以使用远程用户界面进行此操作。

1. [在 Web 浏览器中显示打印机状态。](#)

2. 在**菜单**页面中，选择**作业管理**。

3. 选择**已保存的作业**。

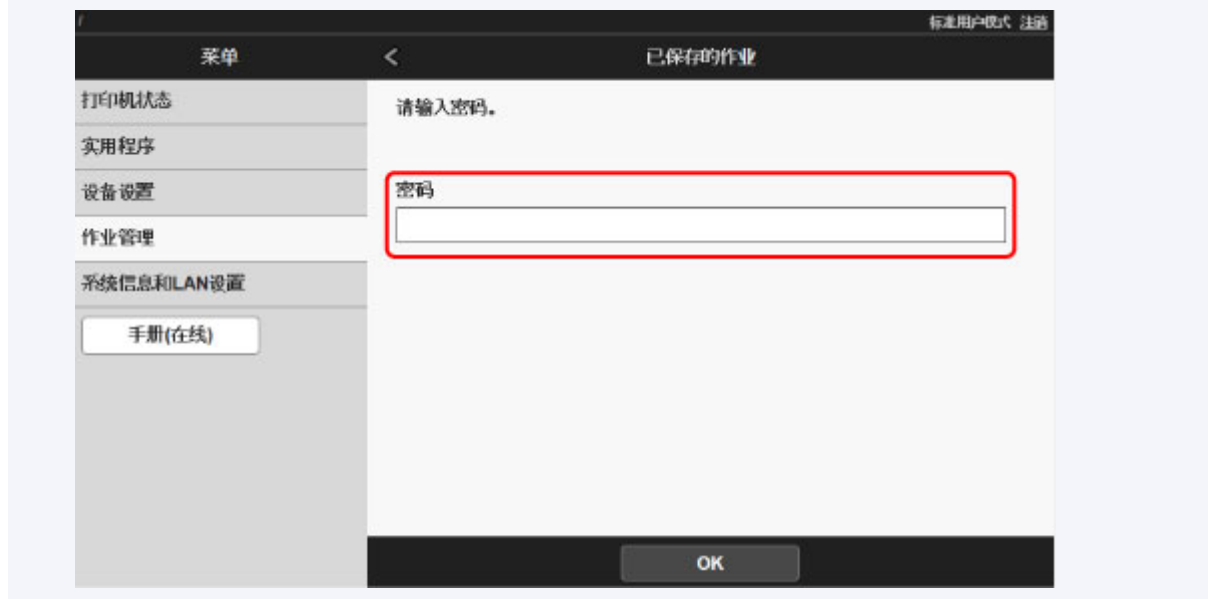
出现已保存作业的列表。

4. 在**已保存的作业**页面中选择作业箱。

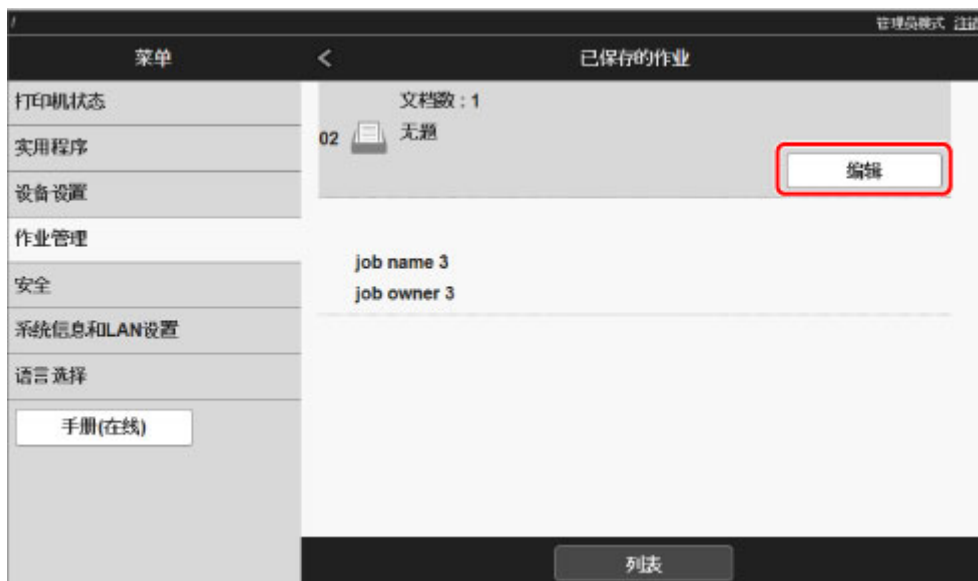


►► 注释

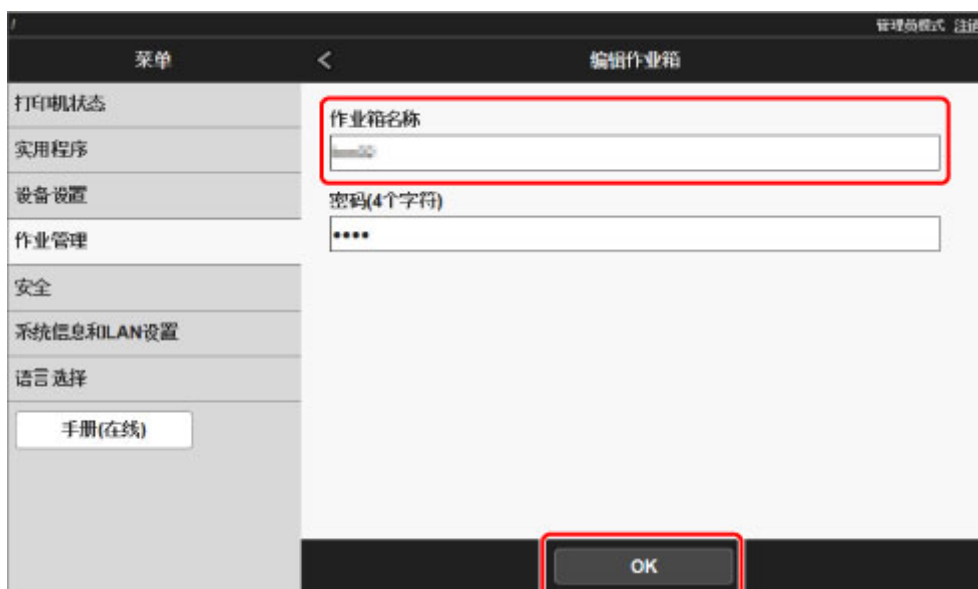
- 如果为保存箱启用了密码，请输入该密码。



5. 选择编辑。



6. 在编辑作业箱对话框的作业箱名称中，输入名称并选择 OK。



显示已保存作业的列表


如下所示，可以按作业箱列出打印机硬盘中存储的打印作业(已保存作业)。

可以使用操作面板或远程用户界面执行此操作。

- [使用操作面板](#)
- [使用远程用户界面](#)

使用操作面板

1. [确保打印机已开启。](#)

2. 滑动主页屏幕，然后点击  作业管理。

- [菜单操作](#)

3. 点击**已保存的作业**。

出现**作业箱列表**屏幕。

4. 点击**作业箱**。

▶▶▶ 注释

- 如果启用了密码，请输入该密码。

5. 点击**作业列表**。

出现每个作业箱中已保存作业的列表。

使用远程用户界面

1. [在 Web 浏览器中显示打印机状态。](#)

2. 在**菜单**页面中，选择**作业管理**。

3. 选择**已保存的作业**。

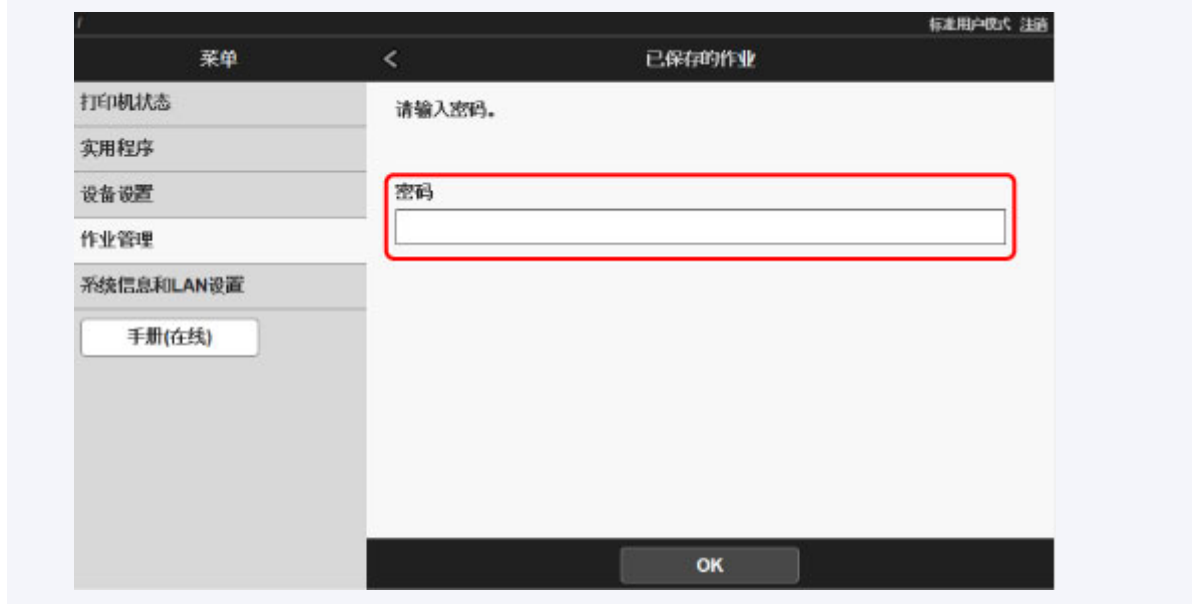
出现已保存作业的列表。

4. 在**已保存的作业**页面中选择**作业箱**。



注释

- 如果为保存箱启用了密码，请输入该密码。



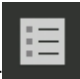
列出作业箱中已保存的作业。

打印已保存作业的列表

如下所示，可以按作业箱打印打印机硬盘中存储的打印作业(已保存作业)列表。

可以使用操作面板进行此操作。

1. [确保打印机已开启。](#)

2. 滑动主页屏幕，然后点击  作业管理。

■ 菜单操作

3. 点击**已保存的作业**。

出现**作业箱列表**屏幕。

4. 点击**作业箱**。

▶▶▶ 注释

- 如果启用了密码，请输入该密码。

5. 点击**作业列表**。

6. 点击**打印作业列表**。

出现每个作业箱中已保存作业的列表。

显示已保存作业的详细信息


如下显示，可以显示打印机硬盘中存储的打印作业(已保存作业)详细信息。

可以使用操作面板或远程用户界面执行此操作。

- [使用操作面板](#)
- [使用远程用户界面](#)

使用操作面板

1. [确保打印机已开启。](#)

2. 滑动主页屏幕，然后点击  作业管理。

- [菜单操作](#)

3. 点击**已保存的作业**。

出现**作业箱列表**屏幕。

4. 点击**作业箱**。

▶▶▶ 注释

- 如果启用了密码，请输入该密码。

5. 点击**作业列表**。

出现每个作业箱中已保存作业的列表。

6. 点击**打印作业**。

出现打印作业详细信息。

使用远程用户界面

1. [在 Web 浏览器中显示打印机状态。](#)

2. 在**菜单**页面中，选择**作业管理**。

3. 选择**已保存的作业**。

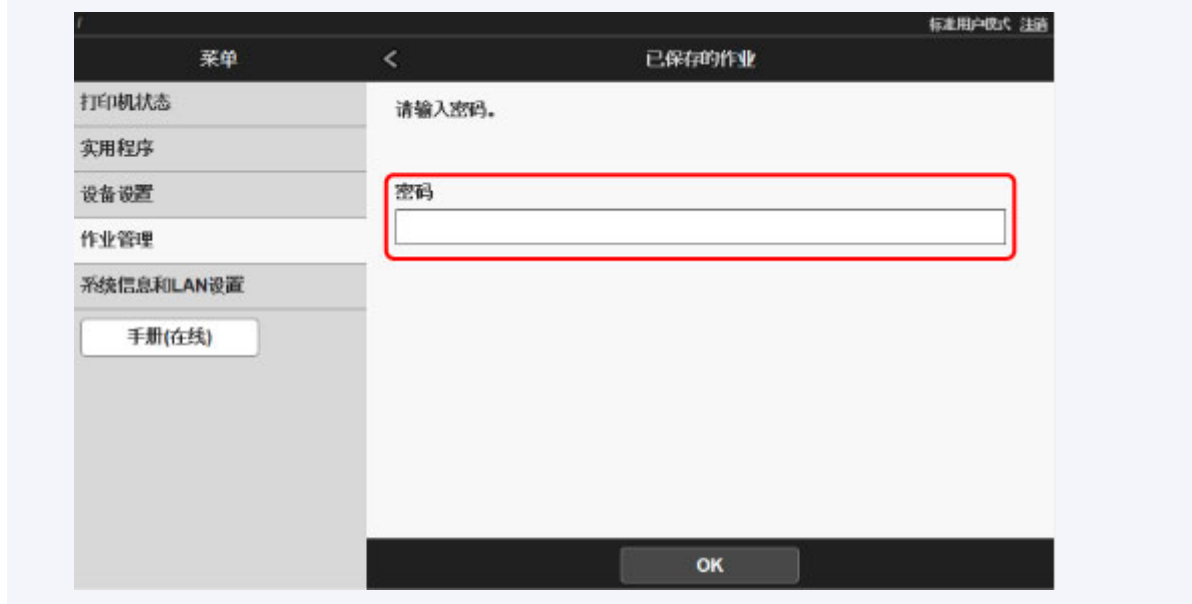
出现已保存作业的列表。

4. 在**已保存的作业**页面中选择**作业箱**。



注释

- 如果为保存箱启用了密码，请输入该密码。



5. 选择打印作业。



出现已保存文档的详细信息。

重命名已保存的作业

如下所示，可以重新命名打印机硬盘中存储的打印作业(已保存作业)。

可以使用远程用户界面进行此操作。

1. [在 Web 浏览器中显示打印机状态。](#)

2. 在菜单页面中，选择**作业管理**。

3. 选择**已保存的作业**。

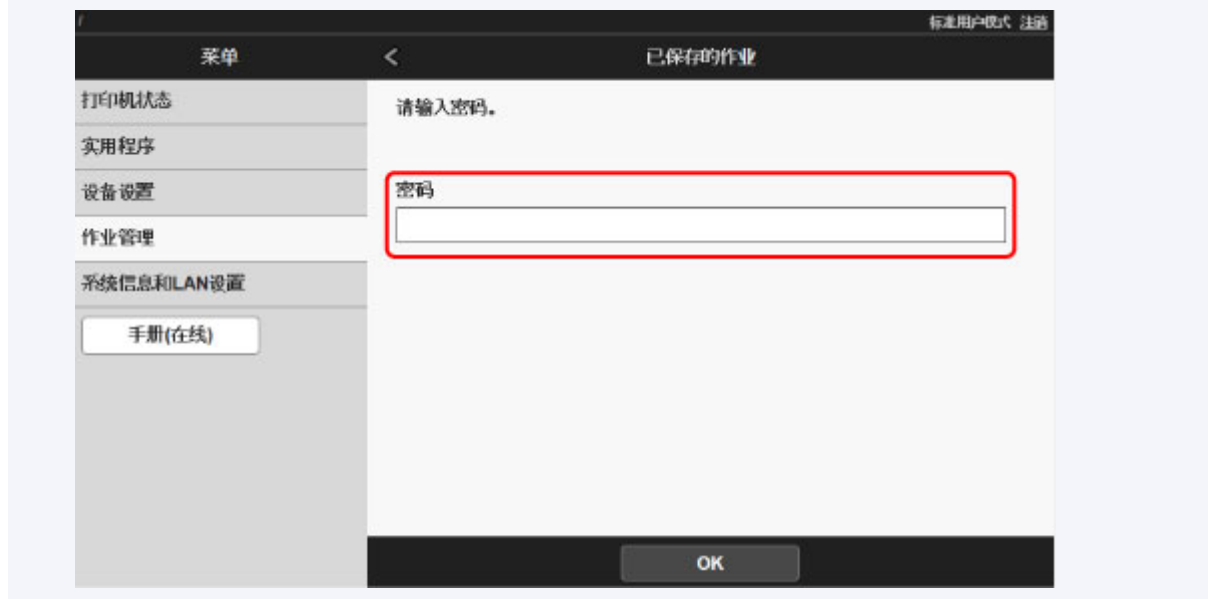
出现已保存作业的列表。

4. 在**已保存的作业**页面中选择作业箱。



注釋

- 如果为保存箱启用了密码，请输入该密码。



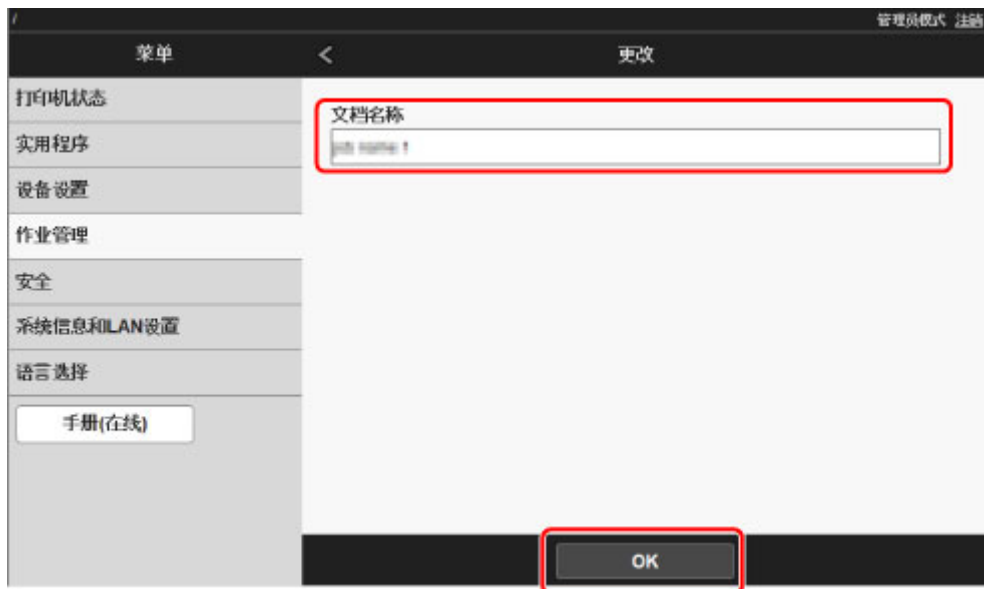
5. 选择已保存作业，然后选择**编辑**。



6. 选择**更改**。



7. 输入名称，然后选择 **OK**。



打印机硬盘操作

可以通过下程序和界面执行打印机硬盘操作。

- 打印机驱动程序
- 远程用户界面
- 操作面板

可通过各界面执行的打印机硬盘操作如下所示。

操作		打印机驱动程序	远程用户界面	操作面板
保存打印作业	在邮箱保存	✓	-	-
	不将打印作业保存在通用作业箱内	-	-	✓
	保存除打印机驱动程序以外的来源发送的打印作业	-	-	✓
关于已保存作业的操作	打印已保存作业	-	✓	✓
	删除已保存作业	-	✓	✓
作业队列管理	显示作业队列	-	✓	✓
	删除	-	✓	✓
	抢占作业	-	✓	✓
	关于保留作业的操作	-	✓	✓
邮箱管理	移动已保存作业	-	✓	-
	修改已保存作业	-	✓	-
	修改邮箱	-	✓	-
	打印已保存作业的列表	-	-	✓
	显示已保存作业的列表	-	✓	✓
其他操作	显示可用硬盘空间	-	✓	✓
	初始化硬盘	-	-	✓
	显示打印时间	-	✓	✓
显示错误信息		-	✓	✓

检查可用硬盘空间


按如下方式检查打印机硬盘的可用空间。

可以使用操作面板或远程用户界面执行此操作。

- [使用操作面板](#)
- [使用远程用户界面](#)

使用操作面板

1. [确保打印机已开启。](#)

2. 滑动主页屏幕，然后点击  打印机信息。

- [菜单操作](#)

3. 点击**硬盘信息**。

显示可用硬盘空间。

使用远程用户界面

1. [在 Web 浏览器中显示打印机状态。](#)
2. 在**菜单**页面中，选择**作业管理**。
3. 选择**硬盘信息**。

可用硬盘空间会显示在右上角。



故障排除

常见问题

- [想轻松制作条幅或横幅。](#)
- [本打印机是否支持辅助墨水盒系统？](#)
- [想知道如何设置卷纸裁切。](#)
- [想知道如何设置，以便等待墨水干燥后自动切断卷纸。](#)
- [想进行无边距打印\(不带边框\)](#)
- [想知道可以在本打印机中使用的纸张类型。](#)
- [要打印的纸张类型未显示在触摸屏上。](#)
- [色彩校准是一种什么功能？](#)
- [我可以进行双面打印吗？](#)
- [想进行放大打印。](#)

问题示例

- [与纸张有关的问题](#)
 - [清除卡住的卷纸](#)
 - [清除卡住的单页纸](#)
 - [卷纸不进入供纸槽](#)
 - [无法自动送入纸张](#)
 - [不能安装单页纸](#)
 - [不能整齐地切断纸张](#)
 - [纸张切不断](#)
 - [不能检测透明胶片的尺寸](#)
 - [页边距过宽](#)
 - [在薄的卷纸上打印时，打印面被刮伤](#)
- [打印不开始](#)
 - [操作面板的数据指示灯不点亮](#)
 - [即使发送打印数据，打印机也不动作](#)
 - [会显示“正在注入墨水”](#)
 - [会显示“正在搅拌墨水”](#)
- [打印机在打印中途停止](#)
 - [打印停止并显示错误信息](#)

- [纸张排出白纸](#)
- [打印质量的问题](#)
 - [打印模糊](#)
 - [打印头摩擦纸张](#)
 - [纸张端部弄脏](#)
 - [纸张表面脏污](#)
 - [纸张背面弄脏](#)
 - [无边界打印之后的通常打印过程中纸张后端边缘脏污](#)
 - [打印色感错误](#)
 - [出现色调不同的条纹](#)
 - [出现色彩不均](#)
 - [像的边缘模糊、出现白色条纹](#)
 - [在打印过程中周期性地发生浓淡差](#)
 - [打印品进纸方向的长度不正确](#)
 - [纸张上打印歪斜](#)
 - [打印成单色\(墨黑\)](#)
 - [线的粗细打印不均](#)
 - [网格线歪斜或出现彩色边纹](#)
 - [无边界打印中出现白边](#)
- [无法通过网络打印](#)
 - [无法将打印机连接至网络](#)
 - [无法通过 TCP/IP 网络打印](#)
 - [无法通过 Bonjour 网络打印\(Mac OS\)](#)
- [无法在网络上找到打印机](#)
 - [无法在检查打印机设置屏幕上找到打印机\(Windows\)](#)
 - [在打印机连接屏幕/连接电缆线屏幕无法继续操作](#)
 - [在设置过程中按 IP 地址或主机名称搜索打印机](#)
- [安装问题](#)
 - [删除打印机软件](#)
- [其他问题](#)
 - [电源打不开](#)
 - [启动花费时间](#)
 - [觉得是异常音时](#)
 - [指示确认保养墨盒的提示信息不消失](#)
 - [墨水消耗异常](#)

- [打印页未整齐收入篮子](#)
- [已设置首先剪裁边缘时，剪裁的纸张被卷入卷纸单元](#)
- [关于墨水剩余量检测功能](#)
- [与错误对应的支持代码列表](#)



想轻松制作条幅或横幅。



可以自动放大至卷纸宽度来打印横向或者纵向的原稿。这是一种打印竖幅或横幅的简单方法。

➔ [打印条幅和横幅\(大幅面打印\)](#) (Windows)

➔ [打印条幅和横幅\(大幅面打印\)](#) (Mac OS)



本打印机是否支持辅助墨水盒系统？



本打印机支持热插拔墨水盒更换。

即使打印时墨水盒变空，由于辅助墨水盒总是预存一定量墨水，因此用户可以在打印时更换墨水盒。

→ [更换墨水盒](#)



想知道如何设置卷纸裁切。



可以在打印机设置和打印机驱动程序设置中选择裁切方法。

要在打印完成后自动裁切卷纸，请在打印机上打开**裁切方式**设置，然后在打印机驱动程序中将**自动裁切**下的**自动裁切**设置为是。

使用易于刮擦的纸张或需要更多时间固墨的纸张时，建议将打印机上的**裁切方式**设置为**弹出裁切**。

➔ [设置卷纸的切断方法](#)

➔ [打印后裁切卷纸 \(Windows\)](#)

➔ [打印后裁切卷纸 \(Mac OS\)](#)

如果使用收纸器，有关裁切设置和裁切后的卷纸设置，请参见以下页面。

➔ [切换卷纸单元模式](#)

➔ [从卷纸单元上取下打印纸](#)



想知道如何设置，以便等待墨水干燥后自动切断卷纸。



可以在打印机驱动程序中设置墨水干燥时间。

也可以在打印机上进行相同的设置。

→ [主要选项卡的说明](#) (Windows)

→ 纸张详细设置 (Mac OS)

→ [设置卷纸的墨水干燥时间](#)

→ [菜单结构](#)



想进行无边距打印(不带边框)



如果在卷纸上打印，可以在打印机驱动程序设置中设置无边距打印。(如果在单页纸上打印，则不能进行无边距打印)

➔ [根据情况执行无边距打印](#) (Windows)

➔ [根据情况执行无边距打印](#) (Mac OS)



想知道可以在本打印机中使用的纸张类型。



有关可以在本打印机中使用的纸张信息，请参见 imagePROGRAF 主页或参阅介质信息列表。

→ [纸张信息列表](#)



要打印的纸张类型未显示在触摸屏上。



如果使用新的纸张类型，请启动 **Media Configuration Tool** 以获取最新的介质信息。

➔ [更新为最新的纸张信息](#)



色彩校准是一种什么功能？



色彩校准功能在打印过程中运行，可修正由于打印机之间的个体差异或打印机老化而导致的色彩差异。

建议在以下情况时使用色彩校准功能。

- 初始安装打印机之后
- 更换打印头后
- 与以前相比感觉出现色彩改变时
- 想要颜色一致并从多台打印机进行打印时
- 显示执行指南时

➔ [管理色彩](#)

➔ [执行色彩校准](#)



我可以进行双面打印吗？



本打印机不能执行双面打印。

可以使用 Windows 软件 **Canon imagePROGRAF Free Layout** 的**折叠双面**功能替代双面打印，该功能可在单面上打印两页，然后将单页纸从中间对折后挂起。



想进行放大打印。



使用打印机驱动程序调整原稿的纸张尺寸和宽度，或通过指定缩放倍率执行放大或缩小打印。

→ [比例打印](#) (Windows)

→ [比例打印](#) (Mac OS)

与纸张有关的问题

- [清除卡住的卷纸](#)
- [清除卡住的单页纸](#)
- [卷纸不进入供纸槽](#)
- [无法自动送入纸张](#)
- [不能安装单页纸](#)
- [不能整齐地切断纸张](#)
- [纸张切不断](#)
- [不能检测透明胶片的尺寸](#)
- [页边距过宽](#)
- [在薄的卷纸上打印时，打印面被刮伤](#)



清除卡住的卷纸



卷纸卡住时，用以下步骤清除卷纸。

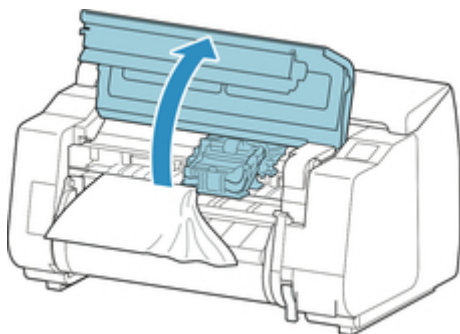
注 释

- 如果触摸屏上显示“发生卡纸。请抬起释放杆并取出纸张。”，可以跳过步骤 1 和步骤 9。

1. 关闭打印机电源。

➔ [打开/关闭电源](#)

2. 打开上盖。

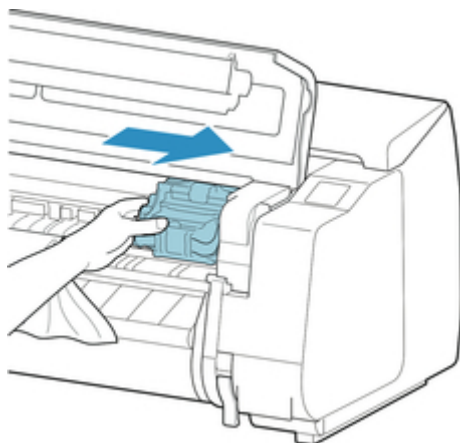


注 释

- 如果卷纸严重卷曲或卷纸前端妨碍托架，则将卷纸的裁切方法设置为**用户裁切**，并将前端检测设置为**不检测**可能避免纸张妨碍托架。

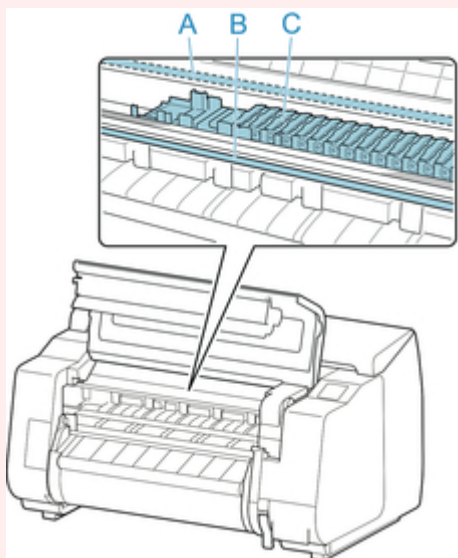
➔ [设置卷纸的切断方法](#)

3. 托架露出时，移动托架使之离开纸张。

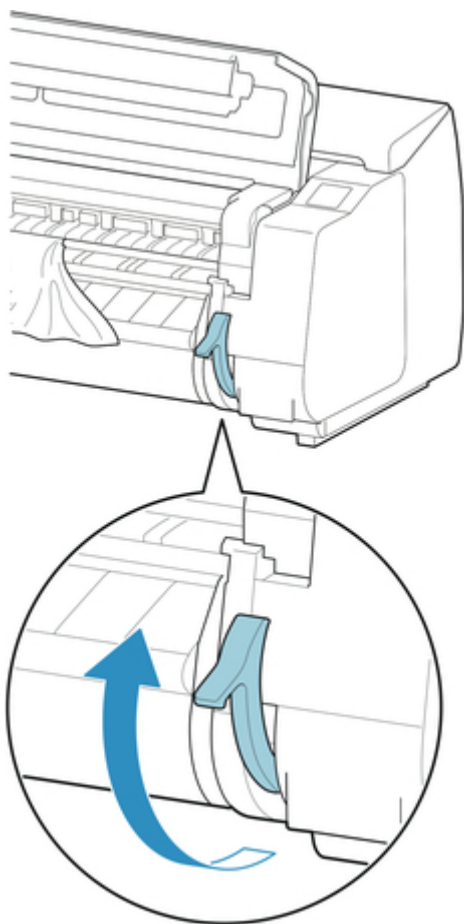


重要事项

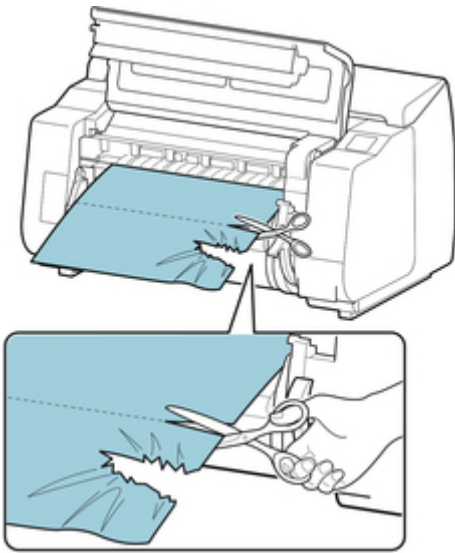
- 请勿触摸线性标尺(A)、托架轴(B)或墨水管稳定器(C)。触碰这些可能会导致故障发生。



4. 抬起释放杆。



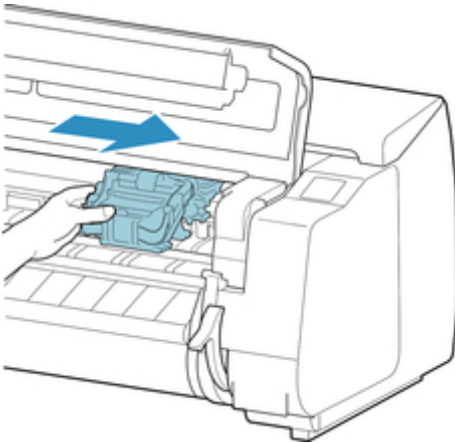
5. 抓住纸张的两边，将卡住的部分向前拉出。使用剪刀或剪切工具将已打印或褶皱的部分剪掉。



⚠ 注意

- 裁切时，请注意不要使自己受伤或损坏打印机。

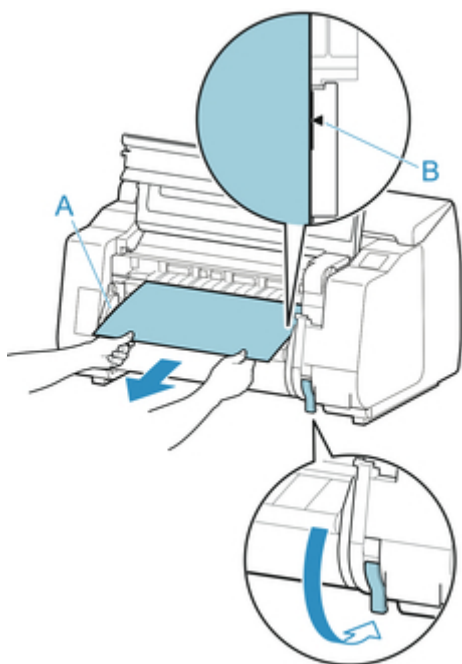
6. 托架在左侧时，将托架移动到右端直到停止不动。



▶▶▶ 重要事项

- 请务必将托架移动到右端。托架在左侧的话，则在接通了电源时有时会显示出托架错误。

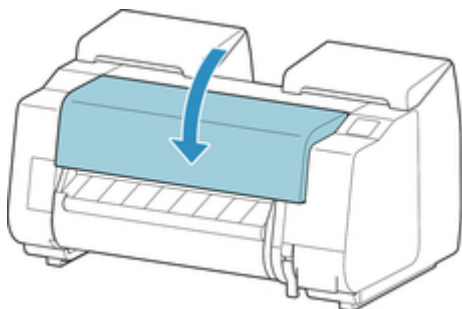
7. 抓住卷纸前端的中间部分，并轻轻将其均匀拉至出纸导片(A)位置，将卷纸右边缘与纸张对齐线(B)平行对齐，然后放下释放杆。



重要事项

- 请勿强行拉出卷纸使其与纸张对齐线(B)对齐。这可能会导致卷纸送入时发生倾斜。

8. 关闭上盖。



9. 开启打印机电源。

➔ [打开/关闭电源](#)

卷纸开始进给，打印机打印准备就绪。

注释

- 要整齐地裁剪前端，请在触摸屏上选择送入的纸张，然后通过点击**进纸/裁切**中的**裁切纸张**裁切前端。

➔ [设置卷纸的切断方法](#)



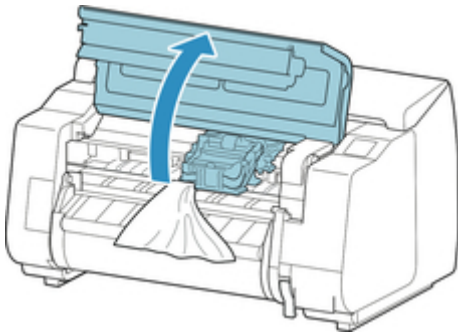
清除卡住的单页纸

A 单页纸卡住时，用以下步骤清除单页纸。

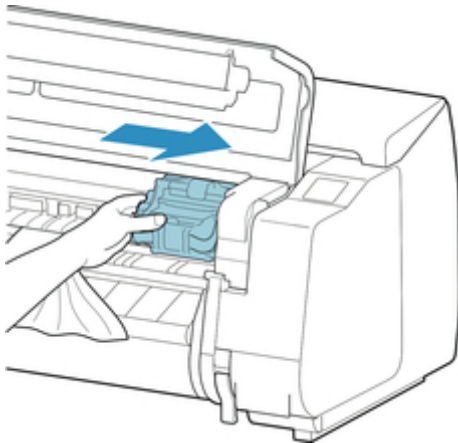
1. 关闭打印机电源。

➔ [打开/关闭电源](#)

2. 打开上盖。

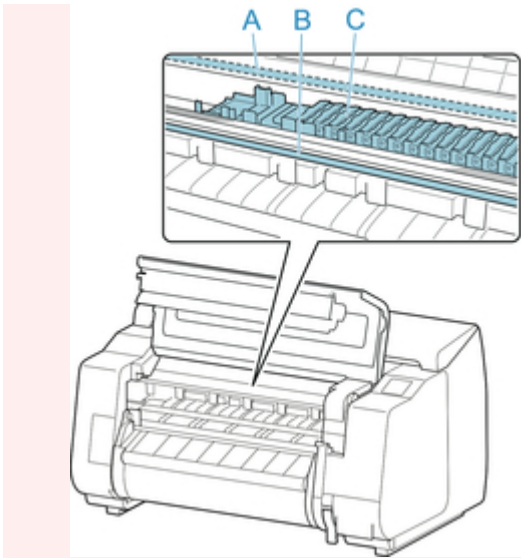


3. 托架露出时，移动托架使之离开纸张。

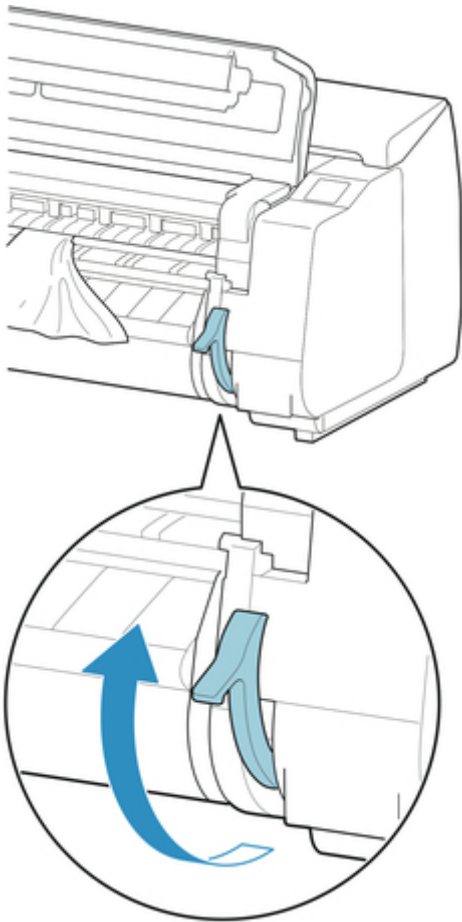


重要事项

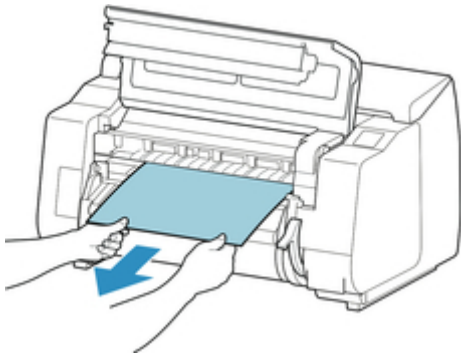
- 请勿触摸线性标尺(A)、托架轴(B)或墨水管稳定器(C)。触碰这些可能会导致故障发生。



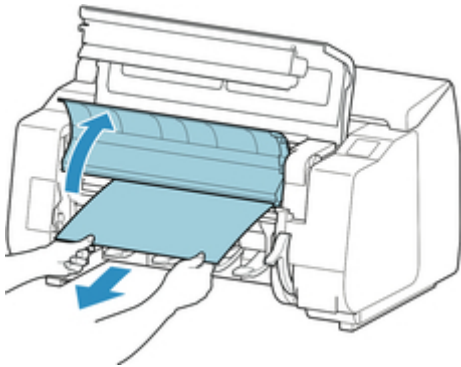
4. 抬起释放杆。



5. 如果能看见卡住的纸张，抓住纸张将其向前拉出。

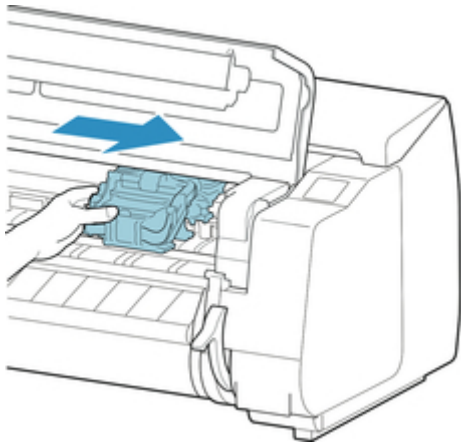


6. 如果无法看见纸张，请抬起出纸导片，取出卷纸支架并从下方取出卡纸。



取出纸张后，查看内部以确保无遗留的纸张残片或其他异物，然后放下出纸导片。

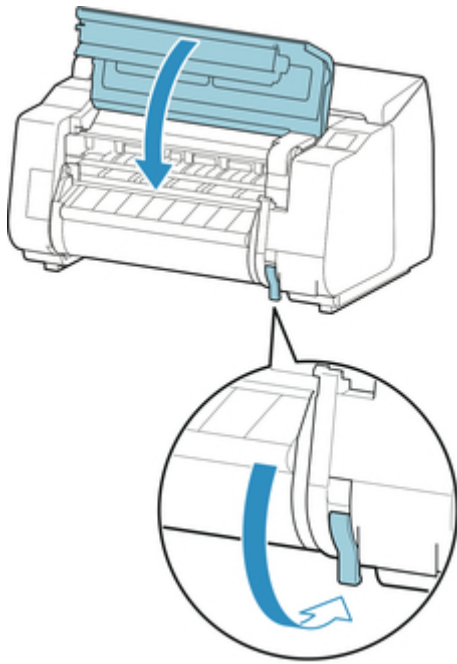
7. 托架在左侧时，将托架移动到右端直到停止不动。



重要事项

- 请务必将托架移动到右端。托架在左侧的话，则在接通了电源时有时会显示出托架错误。

8. 放下释放杆并关闭上盖。



9. 开启打印机电源。

➔ [打开/关闭电源](#)



卷纸不进入供纸槽



检查 1

卷纸是否卷曲？

纠正卷边，然后重新安装卷纸。

检查 2

纸张是否卡在进纸插槽中？

清除卡住的纸张。

→ [清除卡住的卷纸](#)

→ [清除卡住的单页纸](#)

检查 3

确认是否已选择正确的纸张来源

在触摸屏菜单中选择**纸张设置**，然后选择纸张来源。

检查 4

从卷纸单元供纸时，卷纸单元是否处于**收纸模式**？

在触摸屏菜单中选择**卷纸单元用途设置**，然后将其设置为进纸模式。

→ [在卷纸单元上装入下行卷纸\(选装件\)](#)



无法自动送入纸张



无法自动送入该纸张。

在触摸屏菜单中将**纸张保留设置**设置为**解除保留**，然后手动送入纸张。

→ [菜单结构](#)

»» **注释**

- 选择此设置后，无法再使用自动卷纸切换功能。



不能安装单页纸



检查

确认是否已选择正确的纸张来源

在触摸屏菜单中选择**纸张设置**，然后选择纸张来源。

点击**请装入纸张。**，然后装入纸张。

➔ [将单页纸安装到打印机上](#)



不能整齐地切断纸张



检查 1

纸张裁切位置的边缘是否存在皱褶？

纠正纸张端部的折叠。

检查 2

裁切时纸张裁切位置的边缘是否翘起？

重新正确安装纸张。

检查 3

纸张是否为切刀刀片可以裁切的类型？

在触摸屏菜单中将**裁切方式**设置为**用户裁切**，然后使用剪刀等裁切工具裁切卷纸。

→ [设置卷纸的切断方法](#)

检查 4

确认**裁切速度**设置是否正确

在触摸屏菜单中更改**裁切速度**设置。

→ [菜单结构](#)

检查 5

裁切时打印材料是否斜向移动？

在触摸屏菜单中将**裁切方式**设置为**弹出裁切**，然后在材料打印后扶稳材料并进行裁切。

→ [设置卷纸的切断方法](#)

检查 6

切刀刀片是否正确安装？

正确安装切刀刀片。

→ [更换切刀刀片](#)

检查 7

切刀刀片的刀刃是否变钝？

更换切刀刀片。

→ [更换切刀刀片](#)



纸张切不断



检查 1

打印机驱动程序中的**自动裁切**是否设置为**否**或**打印裁切线**？

将打印机驱动程序的**自动裁切**设置为**是**。

→ [页设置选项卡的说明](#) (Windows)

→ [纸张详细设置](#) (Mac OS)

检查 2

是否在触摸屏菜单中将**裁切方式**设置为**弹出裁切**或**用户裁切**？

如果**裁切方式**设置为**弹出裁切**，请在触摸屏菜单中选择**进纸/裁切**并裁切纸张。

如果**裁切方式**设置为**用户裁切**，请使用剪刀等裁切工具裁切卷纸。

→ [设置卷纸的切断方法](#)

检查 3

是否安装了切刀刀片？

安装切刀刀片。

→ [更换切刀刀片](#)

检查 4

卷纸单元设置为**收纸模式**时，是否将打印后输出纸张的裁切方法设置为**不裁切**？

请按照以下步骤更改设置。

1. 在触摸屏上选择卷纸单元。
2. 点击在**收纸模式**下使用，然后选择**使用裁切方式设置**。
3. 将触摸屏上**卷纸 1**的**裁切方式**设置为**自动裁切**。



不能检测透明胶片的尺寸



检查

压纸滚筒是否因墨渍而变脏？

打开上盖，然后清洁整个压纸滚筒区域。

→ [清洁上盖内侧](#)



页边距过宽



检查 1

在打印材料上使用自动裁切后，是否仅后端边距较宽？

为避免发生剪切及排纸问题，进给特定长度后切断了卷纸。

是正常的运转。

检查 2

是否将前端检测设置为**不检测**？

在触摸屏菜单中将**裁切方式**设置为**用户裁切**时，可能通过响应信息**是否设置为检测纸张的前端**？设置了**不检测**。

将**裁切方式**设置为**用户裁切**时，如果显示信息**是否设置为检测纸张的前端**，请选择**检测(推荐)**。

请注意，如果选择**检测(推荐)**且纸张严重卷曲，则打印开始时打印头可能刮擦纸张边缘。

→ [设置卷纸的切断方法](#)



在卷纸上打印时，打印面被刮擦



检查 1

根据纸张的不同，送入纸张时打印面可能被刮擦。

在这种情况下，必须将触摸屏上的**纸张保留设置**设置为**解除保留**，然后手动进纸。抬起释放杆，送入卷纸直至其前端在压纸滚筒上可见，放下释放杆，然后继续执行下一步。如果将**纸张保留设置**设置为**解除保留**，将无法在上行卷纸和下行卷纸之间自动切换。

检查 2

打印过程中卷纸是否已失去弹性？

如果卷纸失去弹性，纸张表面可能会损坏且纸张可能会褶皱或折叠。

在触摸屏菜单中将**卷纸张力(打印)**设置为**高**。

→ [菜单结构](#)

▶▶▶ 注释

- 更改**卷纸张力(打印)**设置时，建议**调整打印质量**。

打印不开始

- [操作面板的数据指示灯不点亮](#)
- [即使发送打印数据，打印机也不动作](#)
- [会显示“正在注入墨水”](#)
- [会显示“正在搅拌墨水”](#)



操作面板的数据指示灯不点亮



检查 1

打印机电源是否开启？

确认电源线是否完全插入到底。按下**电源**按钮，开启打印机电源。

检查 2

是否已选择正确的打印机？

使用 Windows 时，通过打印对话框的**选择打印机**或**打印机**选择打印机，重新进行打印。

使用 Mac OS 时，打开打印机驱动程序的对话框，从**打印机**列表中选择打印机，重新进行打印。

检查 3

打印作业是否暂停？

在 Windows 的情况下，按照下列步骤解除暂停。

1. 选择**打印机和传真(或打印机)**窗口的打印机图标。
2. 在**文件**菜单中选择**暂停打印**，去掉对钩，解除暂停。

使用 Mac OS 时，用以下步骤解除暂停。

1. 打开**打印与扫描**（或**打印与传真**）。
2. 选择打印机，然后在**打印机**菜单上选择**使打印机继续打印(或开始作业)**，解除暂停。



即使发送打印数据，打印机也不动作



检查 1

暂停打印是否设置为启用？

在触摸屏菜单中将**暂停打印**设置为**禁用**。

→ [使打印处于暂停状态](#)

检查 2

是否将 **Mail Box 保存** 选择为打印机**输出方法**？

打印保存在硬盘内的作业。

→ [打印保存的作业](#)

检查 3

打印作业是否处于等待状态？

操作保留作业，进行打印。

→ [管理等待中的作业\(打印或删除保留作业\)](#)



会显示“正在注入墨水”



正在为打印头和辅助墨水盒填充墨水。

请等到充填墨水结束。

注 释

- 打印机运行时如果强行关闭电源可能出现此信息。

关闭电源时，请务必遵从正确的步骤。

→ [打开/关闭电源](#)



会显示“正在搅拌墨水”



正在实行墨水搅拌动作。

请等候到墨水搅拌动作结束。

搅拌时间因电源关闭后经过的时间而异(大约 1 至 20 分钟)。

打印机在打印中途停止

- [打印停止并显示错误信息](#)
- [纸张排出白纸](#)



打印停止并显示错误信息



在打印中卷纸用完，卷纸末端被胶带固定不能进给，停住了。

清除用尽的卷纸，更换为新卷纸。

➔ [从打印机取下上行卷纸](#)

➔ [从卷纸支架上取下卷纸](#)

➔ [安装卷纸并打印](#)



纸张排出白纸



检查 1

卷纸前端可能已被剪裁

如果在触摸屏菜单中未将**首先剪裁边缘**设置为关，则卷纸前端可能会被剪裁。

→ [自动切断卷纸上端](#)

检查 2

打印头喷嘴是否堵塞？

打印喷嘴检查图案以检查打印头状态。

→ [检查喷嘴是否堵塞](#)

检查 3

是否已选择正确的打印机驱动程序？

使用打印机的正确打印机驱动程序重新打印。

如果上述情况均不适用，则打印机可能出现故障。

请与佳能客户服务中心联系。

打印质量的问题

- [打印模糊](#)
- [打印头摩擦纸张](#)
- [纸张端部弄脏](#)
- [纸张表面脏污](#)
- [纸张背面弄脏](#)
- [无边界打印之后的通常打印过程中纸张后端边缘脏污](#)
- [打印色感错误](#)
- [出现色调不同的条纹](#)
- [出现色彩不均](#)
- [像的边缘模糊、出现白色条纹](#)
- [在打印过程中周期性地发生浓淡差](#)
- [打印品进纸方向的长度不正确](#)
- [纸张上打印歪斜](#)
- [打印成单色\(墨黑\)](#)
- [线的粗细打印不均](#)
- [网格线歪斜或出现彩色边纹](#)
- [无边界打印中出现白边](#)



打印模糊



检查 1

是否使用了纸张背面进行打印？

在纸张正面打印。

检查 2

打印头喷嘴是否堵塞？

打印喷嘴检查图形，确认喷嘴的堵塞。

→ [检查喷嘴是否堵塞](#)

注释

- 要在打印后自动检查喷嘴堵塞情况，请在触摸屏菜单中将**自动喷嘴检查**设置为除**禁用**以外的其他设置。
要根据喷嘴检查结果显示警告，请在触摸屏菜单中将**喷嘴检查错误显示**设置为**启用**。
但是，如果将此设置设为**启用**，打印可能会因警告停止。

→ [菜单结构](#)

检查 3

打印机是否处于墨水盒取出的状态？

如果墨水盒取出，墨水供应部分可能会被墨水堵塞。

如果发生这种情况，请在安装了墨水盒的情况下，将打印机静置至少 24 个小时，然后执行**打印头清洗**。

→ [清洗打印头](#)

检查 4

是否有纸片卡在上盖内？

按照以下步骤取出残留在上盖内侧的纸片。

1. 打开上盖并确保托架没有位于压纸滚筒的上方。
2. 取出上盖内侧残留的所有纸片。

→ [清除卡住的卷纸](#)

→ [清除卡住的单页纸](#)

3. 关闭上盖。

检查 5

墨水干燥前是否裁切了纸张？

在触摸屏菜单的**高级纸张设置**中设置较长的**墨水晾干等待时间**。

➔ [菜单结构](#)

检查 6

打印机驱动程序的**打印质量**是否设置为**快速**？

按照以下步骤将**打印质量**设置为除**快速**以外的其他设置，然后打印。

- 使用 Windows 时

更改打印机驱动程序**详细设定模式**中的**打印质量**设置。

➔ [更改打印质量及修正图像数据 \(Windows\)](#)

- 使用 Mac OS 时

更改打印机驱动程序**质量与介质类型**设置中的**打印质量**。

➔ [更改打印质量及修正图像数据 \(Mac OS\)](#)

选择**快速**或**标准**时，与选择**最高**或**高**相比，打印时间较短且使用的墨水较少，但打印质量会降低。

检查 7

用于打印的纸张是否产生了大量切屑？

在触摸屏菜单的**高级纸张设置**中将**减少裁切屑**设置为**开**。

➔ [减少卷纸的切屑](#)



打印头摩擦纸张



检查 1

打印机驱动程序中指定的介质类型与打印机中装入的介质类型是否相同？

安装符合打印机驱动程序指定纸张类型的纸张。

→ [将上行卷纸装入打印机](#)

→ [将单页纸安装到打印机上](#)

按照以下步骤使打印机驱动程序中的介质类型符合打印机中装入的介质类型。

1. 要停止打印，请按**停止**按钮。
2. 通过打印机驱动程序重新设置纸张类型，然后再打印。

检查 2

是否正确装入纸张？

如果未正确装入，纸张会弯曲并摩擦打印头。

重新装入纸张。

→ [将上行卷纸装入打印机](#)

→ [将单页纸安装到打印机上](#)

检查 3

打印头高度设置是否过低？

在触摸屏菜单中将**纸张厚度(打印头高度)**设置为**自动**。

→ [改善纸张的摩擦和图像的模糊](#)

检查 4

纸张是否较厚，容易卷曲，或吸墨后容易弯曲？

如果使用厚覆膜纸等纸基打印材料，则在触摸屏菜单中将**传送单元真空强度**设置为**稍强或强**。如果这不解决问题，请在触摸屏菜单中增加**纸张厚度(打印头高度)**设置。

→ [调整真空强度](#)

→ [改善纸张的摩擦和图像的模糊](#)

如果使用 CAD 描图纸等膜基打印材料，则在触摸屏菜单中将**传送单元真空强度**设置为**标准、稍强或强**。如果这不解决问题，请在触摸屏菜单中增加**纸张厚度(打印头高度)**设置。

→ [调整真空强度](#)

→ [改善纸张的摩擦和图像的模糊](#)

如果使用厚度小于 0.1 毫米(0.004 英寸)的纸张，则在触摸屏菜单中将**传送单元真空强度**设置为**弱**。如果这不解决问题，请在触摸屏菜单中增加**纸张厚度(打印头高度)**设置。

→ [调整真空强度](#)

→ [改善纸张的摩擦和图像的模糊](#)

检查 5

在打印机中装入纸张时，装入的介质是否与在触摸屏上选择的介质类型相同？

在打印机中装入纸张时，在触摸屏菜单中选择正确的介质类型。

→ [将上行卷纸装入打印机](#)

→ [将单页纸安装到打印机上](#)

检查 6

纸张前端是否严重卷曲或纸张是否弯曲？

在触摸屏菜单中将**裁切方式**设置为**用户裁切**，然后将前端检测设置为**不检测**。

要在此情况下掌握卷纸的剩余量，在装入卷纸前将**管理剩余卷纸量**设置为**关**，然后在装入卷纸后将**管理剩余卷纸量**重新设置为**开**。

→ [设置卷纸的切断方法](#)

→ [管理卷纸的剩余量](#)



纸张端部弄脏



检查 1

是否执行了无边距打印或在较小尺寸纸张上打印？

进行无边距打印或在较小尺寸纸张上打印会使压纸滚筒变脏。

打开上盖，然后清洁压纸滚筒。

→ [清洁上盖内侧](#)

检查 2

是否在触摸屏菜单中将无边距打印的扩展量设置为大或标准？

将无边距打印的扩展量中的宽度充足的纸张设置为小。

→ [菜单结构](#)

检查 3

打印机驱动程序中指定的介质类型与打印机中的介质类型是否相同？

使打印机的介质类型与打印机驱动程序指定的介质类型一致。

→ [变更介质类型](#)

按照以下步骤更改打印机驱动程序设置。

1. 要停止打印，请按**停止**按钮。
2. 用打印机驱动程序重新设置介质类型，然后再打印。

检查 4

纸张是否皱褶或卷曲？

清除皱褶或卷边之后，重新装入纸张。请勿使用打印过的纸张。

→ [将上行卷纸装入打印机](#)

→ [将单页纸安装到打印机上](#)

检查 5

是否在触摸屏菜单的高级纸张设置中将减少裁切屑设置为开？

减少裁切屑设置为开时，会在纸张的裁切位置打印减少裁切屑的线。

如果不需要减少裁切屑，将减少裁切屑设置为关。

→ [菜单结构](#)

检查 6

是否在触摸屏菜单中将打印头高度设置过低？

将**纸张厚度(打印头高度)**设置为**自动**。

➔ [改善纸张的摩擦和图像的模糊](#)

检查 7

纸张是否较厚，容易卷曲，或吸墨后容易弯曲？

如果使用厚覆膜纸等纸基打印材料，则在触摸屏菜单中将**传送单元真空强度**设置为**稍强**或**强**。如果这不解决问题，请在触摸屏菜单中增加**纸张厚度(打印头高度)**设置。

➔ [调整真空强度](#)

➔ [改善纸张的摩擦和图像的模糊](#)

如果使用描图纸等膜基打印材料，则在触摸屏菜单中将**传送单元真空强度**设置为**标准**、**稍强**或**强**。如果这不解决问题，请在触摸屏菜单中增加**纸张厚度(打印头高度)**设置。

➔ [调整真空强度](#)

➔ [改善纸张的摩擦和图像的模糊](#)

检查 8

出纸导片是否干净？

清洁出纸导片。

➔ [清洁打印机的外表](#)



纸张表面脏污



检查 1

纸张压板是否干净？

清洁纸张压板。

→ [清洁上盖内侧](#)

检查 2

该纸张变干是否需要较长的时间？

在触摸屏菜单中将**墨水晾干等待时间**设置为大约 **1 分钟**。

→ [菜单结构](#)

▶▶▶ 注释

- 在需要较长时间干燥的纸张上打印时，打印过程中纸张可能卷曲并触碰出纸槽。
在此类情况下，在触摸屏菜单中为**每次扫描后暂停**设置**墨水晾干等待时间**和**墨水晾干目标区域**。
但是，打印就会延长时间。

→ [菜单结构](#)

▶▶▶ 注释

- 在高温潮湿的环境中，在卷纸上打印包含饱和色区域的图像时，墨水可能会粘到接触面上，影响打印质量。
将打印机移至其他环境，或等待纸张干燥后再卷起。



纸张背面弄脏



检查 1

上次的打印作业是无边距打印，还是在小尺寸纸张上打印？

打开上盖，然后清洁压纸滚筒。

→ [清洁上盖内侧](#)

检查 2

是否在触摸屏菜单中将**检测纸张宽度**设置为关？

在**检测纸张宽度**设置为关的情况下进行打印可能会弄脏压纸滚筒。

在触摸屏菜单中将**检测纸张宽度**设置为开，然后打开上盖并清洁压纸滚筒。

→ [清洁上盖内侧](#)

要在**检测纸张宽度**设置为关的情况下继续打印，请先打开上盖并清洁压纸滚筒，然后在打印时手动从压纸滚筒上方送入卷纸。

→ [清洁上盖内侧](#)

→ [手动进给卷纸](#)

检查 3

纸张可能在压纸滚筒上吸附不紧。

在触摸屏菜单中设置较高的**传送单元真空强度**。

→ [调整真空强度](#)

检查 4

是否在触摸屏菜单中将**无边距打印的扩展量**设置为大或标准？

将**无边距打印的扩展量**中的**推荐宽度的纸张**和**宽度充足的纸张**设置为小。

→ [菜单结构](#)

注 释

- 在高温潮湿的环境中，在卷纸上打印包含饱和色区域的图像时，墨水可能会粘到接触面上，影响打印质量。

将打印机移至其他环境，或等待纸张干燥后再卷起。



无边界打印之后的通常打印过程中纸张后端边缘脏污



在某些情况下，通过自动裁切卷纸前端和后端进行无边距打印时，切刀刀片上的墨水可能会附着到下一打印品上。

按照以下步骤将**干燥时间**中的**页码范围**更改为 30 秒至 3 分钟，然后执行无边距打印。

- **使用 Windows 时**
 1. 在打印机驱动程序**主要**选项卡上单击**介质类型的指定**。
 2. 从**干燥时间**的**页码范围**列表中选择墨水干燥时间。
- **使用 Mac OS 时**

从打印机驱动程序**纸张详细设置**选项卡上的**干燥时间**列表中，选择墨水干燥时间。



打印色感错误



检查 1

是否在打印机驱动程序中调整了颜色？

按照以下步骤调整颜色设置。

- 使用 Windows 时
在打印机驱动程序的**详细设定模式**中使用**色调** > **颜色设置**调整颜色设置。
➔ [主要选项卡的说明](#) (Windows)
- 使用 Mac OS 时
在打印机驱动程序的**色彩选项**中调整颜色设置。
➔ [色彩选项](#) (Mac OS)

检查 2

是否调整了计算机或监视器的颜色？

采取以下解决方法。

- 参照电脑和显示器的使用说明书，执行电脑和显示器的颜色调整。
- 参照色彩管理软件的使用说明书调整色彩管理软件的设置。

检查 3

打印头喷嘴是否堵塞？

打印喷嘴检查图形，确认喷嘴的堵塞。

➔ [检查喷嘴是否堵塞](#)

检查 4

是否在 Windows 打印机驱动程序中将**应用颜色匹配优先**设置为关？

在打印机驱动程序的**版式**选项卡中，单击**特别设置**，然后在出现的对话框中将**应用颜色匹配优先**设置为开。

➔ [版式选项卡的说明](#) (Windows)

检查 5

是否更换了打印头？

打印头之间的差异可能导致更换打印头后颜色发生变化。

请执行色彩校准。

➔ [执行色彩校准](#)

检查 6

打印头特性可能已改变

反复使用打印头可能会改变其特性，包括颜色。

请执行色彩校准。

➔ [执行色彩校准](#)

检查 7

由于固件和打印机驱动程序版本、设置或环境间的差异，即使相同型号的打印机之间也会出现颜色差异

用以下步骤统一打印机的使用环境。

1. 将固件和打印机驱动程序的版本统一。
2. 将各设置项目统一。
3. 请执行色彩校准。

➔ [执行色彩校准](#)

检查 8

重新安装打印机驱动程序时，Media Configuration Tool 中选择居住地的内容是否发生了更改？

变更 Media Configuration Tool 中的区域选项将会删除安装之前注册的特定区域纸张的信息。如果使用已删除信息的纸张执行色彩校准，不会将校准结果的调整值应用于所有其他类型的纸张。

请准备新的区域选项中的、色彩校准所支持的纸张重新执行色彩校准。

➔ [执行色彩校准](#)



出现色调不同的条纹



检查 1

实际装入打印机的纸张是否与在触摸屏上选择的介质类型相同？

在打印机中装入纸张时，在触摸屏菜单中选择正确的介质类型。

→ [将上行卷纸装入打印机](#)

→ [将单页纸安装到打印机上](#)

检查 2

是否已正确校准进纸速率？

调整纸张的进给量。

→ [调整进纸量](#)

检查 3

接收时，打印作业可能被中断，所以不会以较快的帧速率打印

结束其他应用程序及其他打印作业。

检查 4

是否在触摸屏菜单中将**设置优先级**设置为**优先长度准确度**？

将**设置优先级**设置为**优先打印质量**并调整进纸量可以解决此问题。

→ [调整进纸量](#)

检查 5

检查打印头是否处于正确的位置

调整打印头位置。

→ [自动调整纵向线条的歪斜或彩色边纹](#)

检查 6

确保打印头喷嘴没有堵塞

打印喷嘴检查图形，确认喷嘴的堵塞。

→ [检查喷嘴是否堵塞](#)

▶▶▶ 注释

- 要在打印后自动检查喷嘴堵塞情况，请在触摸屏菜单中将**自动喷嘴检查**设置为除**禁用**以外的其他设置。
要根据喷嘴检查结果显示警告，请在触摸屏菜单中将**喷嘴检查错误显示**设置为**启用**。

但是，如果将此设置为**启用**，打印可能会因警告停止。

➔ [菜单结构](#)

检查 7

较低打印质量设置会导致打印结果中出现线条

按照以下步骤将**打印质量**设置为**最高**或**高**，然后打印。

- 使用 Windows 时
更改打印机驱动程序**详细设定模式**中的**打印质量**设置。
➔ [更改打印质量及修正图像数据 \(Windows\)](#)
- 使用 Mac OS 时
更改打印机驱动程序**质量与介质类型**设置中的**打印质量**。
➔ [更改打印质量及修正图像数据 \(Mac OS\)](#)

选择**快速**或**标准**时，与选择**最高**或**高**相比，打印时间较短且使用的墨水较少，但打印质量会降低。

检查 8

打印机驱动程序中指定的介质类型与打印机中装入的介质类型是否相同？

安装符合打印机驱动程序指定纸张类型的纸张。

- ➔ [将上行卷纸装入打印机](#)
- ➔ [在卷纸单元上装入下行卷纸\(选装件\)](#)
- ➔ [将单页纸安装到打印机上](#)

按照以下步骤更改打印机驱动程序设置。

1. 要停止打印，请按**停止**按钮。
2. 用打印机驱动程序重新设置介质类型，进行打印。



出现色彩不均



检查 1

该纸张是否容易卷曲？

打印图像的颜色在容易卷曲的纸张前端可能不均匀。在触摸屏中更改**传送单元真空强度**以增加纸张吸附力，或将纸张前端的边距设置为至少 20 毫米(0.8 英寸)。

→ [调整真空强度](#)

检查 2

如果**打印质量**的设置过低，打印图像的颜色可能不均匀

如果正在使用 Windows，从打印机驱动程序的主要选项卡中选择**详细设定模式**，然后选择较高的**打印质量**设置。

如果正在使用 Mac OS，请选择打印机驱动程序中的**质量与介质类型**，然后选择较高的**打印质量**设置。

选择**快速**或**标准**时，与选择**最高**或**高**相比，打印时间较短且使用的墨水较少，但打印质量会降低。

→ [更改打印质量及修正图像数据](#) (Windows)

→ [更改打印质量及修正图像数据](#) (Mac OS)

检查 3

如果图像中有深色和浅色区域，则打印图像在深浅交界处的颜色可能不均匀。

使用单向打印功能可能降低在这种情况下出现的颜色不均匀。

按照以下步骤执行单向打印。

- 使用 Windows 时
从打印机驱动程序的主要选项卡打开**纸张详细设置**，然后选择**单向打印**。
- 使用 Mac OS 时
打开打印机驱动程序中的**纸张详细设置**，然后选择**单向打印**。

检查 4

如果进行无边距打印，纸张前端的打印图像颜色可能略有不均匀，这是因为打印被纸张裁切所中断。

将打印机驱动程序的**自动裁切**设置设为**否**，然后打印。这样做仅会在左右两侧进行无边距打印。打印材料输出并裁切后，使用剪刀等裁切工具裁去上下边距。

注 释

- 在打印机驱动程序的**详细设定模式**中选择较高的**打印质量**可能解决此问题。

→ [更改打印质量及修正图像数据](#) (Windows)

→ [更改打印质量及修正图像数据](#) (Mac OS)

检查 5

检查打印头是否处于正确的位置

调整打印头位置。

➔ [自动调整纵向线条的歪斜或彩色边纹](#)

检查 6

干燥时，如果打印材料堆叠在一起，颜色可能会不均匀

为了不发生颜色不均，建议一张一张地进行干燥。

检查 7

如果使用**光面纸**或**覆膜纸**，浓度可能会不均匀

将**打印质量**设置为**最高**或**高**，然后打印。

检查 8

打印机驱动程序中指定的介质类型与打印机中装入的介质类型是否相同？

安装符合打印机驱动程序指定纸张类型的纸张。

➔ [将上行卷纸装入打印机](#)

➔ [将单页纸安装到打印机上](#)

按照以下步骤使打印机驱动程序中的介质类型符合打印机中装入的介质类型。

1. 要停止打印，请按**停止**按钮。
2. 用打印机驱动程序重新设置介质类型，然后再打印。

检查 9

是否在触摸屏菜单中将**每次扫描后暂停的墨水晾干目标区域**设置为**前端**？

如果**每次扫描后暂停的墨水晾干目标区域**设置为**前端**，距纸张前端约 110 至 160 毫米(4.3 至 6.3 英寸)处可能会颜色不均匀。(该位置取决于**打印质量**设置)

在这种情况下，将**每次扫描后暂停的墨水晾干目标区域**设置为**整体**。

但是，请注意打印时间会延长。

➔ [菜单结构](#)



像的边缘模糊、出现白色条纹



检查 1

纸张可能在压纸滚筒上吸附过紧

在触摸屏菜单中设置较低的**传送单元真空强度**。

→ [调整真空强度](#)

检查 2

检查打印头是否处于正确的位置

在光面或亚高光泽的照片纸或校样纸上高精度打印细小文字或细线时，请将打印头设置到最佳高度，然后调整打印头位置。

→ [调整打印头](#)

在触摸屏菜单上为**纸张厚度(打印头高度)**设置较低的值可能解决此问题。

→ [改善纸张的摩擦和图像的模糊](#)

检查 3

打印机驱动程序中指定的介质类型与打印机中装入的介质类型是否相同？

在打印机中装入在打印机驱动程序中指定的介质类型。

→ [将上行卷纸装入打印机](#)

→ [将单页纸安装到打印机上](#)

按照以下步骤使打印机驱动程序中的介质类型符合打印机中装入的介质类型。

1. 要停止打印，请按**停止**按钮。
2. 重置打印机驱动程序中的介质类型，然后打印。



在打印过程中周期性地发生浓淡差



检查 1

是否已正确校准进纸速率？

调整纸张的进给量。

→ [调整进纸量](#)

检查 2

打印机驱动程序中指定的介质类型与打印机中装入的介质类型是否相同？

在打印机中装入在打印机驱动程序中指定的介质类型。

→ [将上行卷纸装入打印机](#)

→ [将单页纸安装到打印机上](#)

按照以下步骤使打印机驱动程序中的介质类型符合打印机中装入的介质类型。

1. 要停止打印，请按**停止**按钮。
2. 用打印机驱动程序重新设置介质类型，进行打印。



打印品进纸方向的长度不正确



检查 1

是否在触摸屏菜单中将**进纸调整的设置优先级**设置为**优先打印质量**？

将**进纸调整的设置优先级**设置为**优先长度准确度**，然后执行**调整进纸长度**。

→ [调整进纸量](#)

检查 2

打印机驱动程序中指定的介质类型与打印机中装入的介质类型是否相同？

在打印机中装入在打印机驱动程序中指定的介质类型。

→ [将上行卷纸装入打印机](#)

→ [将单页纸安装到打印机上](#)

按照以下步骤使打印机驱动程序中的介质类型符合打印机中装入的介质类型。

1. 要停止打印，请按**停止**按钮。
2. 重置打印机驱动程序中的介质类型，然后打印。



纸张上打印歪斜



检查 1

是否在触摸屏菜单中将**倾斜检测准确度**设置为**松弛或关**？

将**倾斜检测准确度**设置为**标准**，然后重新装入纸张。

→ [菜单结构](#)

检查 2

检测纸张宽度是否设置为**关**？

在触摸屏菜单中将**检测纸张宽度**设置为**开**。

→ [菜单结构](#)

检查 3

卷纸是否**倾斜**装入？

如果卷纸和卷纸支架之间存在缝隙，请重新安装卷纸。

→ [在卷纸支架上装入卷纸](#)

→ [将上行卷纸装入打印机](#)



打印成单色(墨黑)



检查 1

是否在 Windows 打印机驱动程序中将**色调**设置为**单色**，或将**打印目的**设置为**单色(照片)**？
通过打印机驱动程序的**详细设定模式**的**色调**选择**颜色**，然后再重新打印。

检查 2

是否在 Mac OS 打印机驱动程序中选择了**黑白照片打印**？
取消选择打印机驱动程序**质量与介质类型**设置中的**黑白照片打印**，然后重新打印。

检查 3

打印头喷嘴可能堵塞

打印喷嘴检查图形，确认喷嘴的堵塞。

➔ [检查喷嘴是否堵塞](#)



线的粗细打印不均



检查 1

是否在 Windows 打印机驱动程序中的**特别设置**对话框中，将**高速图像处理**设置为开？

请从应用软件的文件菜单的**打印**中，打开打印机驱动程序的**属性**对话框，进行以下设置后进行打印。

1. 在**主要**选项卡中取消选择**打印前预览**。
2. 在**版式**选项卡中取消选择**页面排版**。
3. 单击**版式**选项卡中的**特别设置**按钮，然后在打开的**特别设置**对话框中将**高速图像处理**设置为**关**。

检查 2

打印机驱动程序中指定的介质类型与打印机中装入的介质类型是否相同？

在打印机中装入在打印机驱动程序中指定的介质类型。

→ [将上行卷纸装入打印机](#)

→ [将单页纸安装到打印机上](#)

按照以下步骤使打印机驱动程序中的介质类型符合打印机中装入的介质类型。

1. 要停止打印，请按**停止**按钮。
2. 重置打印机驱动程序中的介质类型，然后打印。

检查 3

调整打印头位置

在光面或亚高光泽的照片纸或校样纸上高精度打印细小文字或细线时，请将打印头设置到最佳高度，然后调整打印头位置。

→ [调整打印头](#)

注释

- 在触摸屏菜单上为**纸张厚度(打印头高度)**设置较低的值可能解决此问题。

→ [改善纸张的摩擦和图像的模糊](#)



网格线歪斜或出现彩色边纹



检查 1

调整打印头位置

如果边框未对齐或打印结果不一致，请调整打印头的位置。

→ [调整打印头](#)

在光面或亚高光泽的照片纸或校样纸上高精度打印细小文字或细线时，请将打印头设置到最佳高度，然后调整打印头位置。

→ [更改打印质量及修正图像数据](#) (Windows)

→ [更改打印质量及修正图像数据](#) (Mac OS)

▶▶▶ 注释

- 在触摸屏菜单上为**纸张厚度(打印头高度)**设置较低的值可能解决此问题。

→ [改善纸张的摩擦和图像的模糊](#)

检查 2

打印机驱动程序中指定的介质类型与打印机中装入的介质类型是否相同？

在打印机中装入在打印机驱动程序中指定的介质类型。

→ [将上行卷纸装入打印机](#)

→ [将单页纸安装到打印机上](#)

按照以下步骤使打印机驱动程序中的介质类型符合打印机中装入的介质类型。

1. 要停止打印，请按**停止**按钮。
2. 重置打印机驱动程序中的介质类型，然后打印。



无边界打印中出现白边



检查 1

如果执行全尺寸无边距打印，所选纸张是否宽于纸张来源的尺寸？

按照实际尺寸执行无边界打印时，请使用与实际页面大小宽度相同的卷纸。

→ [执行无边距全尺寸打印 \(Windows\)](#)

→ [执行无边距全尺寸打印 \(Mac OS\)](#)

检查 2

源文件是否有边距？

确认打印图像数据中没有任何类似裁剪标记和透明物体的物品。

检查 3

是否在应用程序软件中设置了边距？

确认没有在使用的应用程序软件中配置页边距。

检查 4

无边距打印的扩展量是否设置为小？

在触摸屏菜单的无边距打印的扩展量中，将**推荐宽度的纸张**和**宽度充足的纸张**设置为**标准**。

→ [菜单结构](#)

检查 5

纸张宽度是否为无边距打印的推荐宽度？

对于并非无边距打印的推荐纸张尺寸，左右两侧会自动生成一个较窄的边距。此时，可以使用触摸屏菜单中的**无边距打印的扩展量 > 宽度充足的纸张**设置边距值。

但是，一旦增加**无边距打印的扩展量**，压纸滚筒可能会变脏。

有关无边距打印的推荐纸张尺寸的详细资料，请参见纸张大小。

→ [纸张大小](#)

无法通过网络打印

- ▶ 无法将打印机连接至网络
- ▶ 无法通过 TCP/IP 网络打印
- ▶ 无法通过 Bonjour 网络打印(Mac OS)



无法将打印机连接至网络



检查 1 以太网电缆线是否正确连接到打印机的 Ethernet 连接器？

确保打印机已用正确的以太网电缆线连接到网络，然后打开打印机的电源。有关电缆线连接的说明，请参阅安装指南。

检查 2 确保 LINK 指示灯亮起。

如果通过 1000Base-T 连接打印机，顶部和底部的指示灯会亮起。如果打印机通过 100Base-TX 连接，顶部指示灯将亮起绿色；如果通过 10Base-T 连接，则底部指示灯将亮起橙色。

如果 LINK 指示灯未亮起，请检查以下几点。

- 集线器已打开。
- 以太网电缆线的一端已正确连接。
插入以太网电缆线，直至其锁定到位。
- 以太网电缆线没有问题。
如果有任何问题，请更换以太网电缆线。
- 检查与集线器的通信模式。

虽然打印机通常自动检测集线器的通讯模式和传送速度(自动检测模式)，但是有时会无法检测到集线器。在这种情况下，请对照所使用的通讯模式手动设置连接方法。



无法通过 TCP/IP 网络打印



检查 1 是否正确配置打印机的 IP 地址？

确保打印机的 IP 地址配置正确。

»» 注释

- 对于 Windows，可以使用 IJ Network Device Setup Utility 配置打印机的 IP 地址。
 - 对于有线 LAN：
 - [执行/更改有线 LAN 设置](#)
 - 对于无线 LAN：
 - [执行/更改无线 LAN 设置](#)

检查 2 是否正确配置打印机的 TCP/IP 网络设置？

确保打印机的 TCP/IP 网络设置配置正确。

检查 3 是否已正确配置要进行打印的计算机？

确保计算机的 TCP/IP 网络设置配置正确。



无法通过 Bonjour 网络打印(Mac OS)



检查 1 是否已正确配置要进行打印的计算机？

确保计算机配置正确。

检查 2 计算机和打印机是否在相同的网络？

由于 Bonjour 的特性，如果打印机在经由路由器的其他网络，可能无法进行打印。确保计算机和打印机在相同的网络。有关网络设置的信息，请咨询网络管理员。

无法在网络上找到打印机

- ▶ 无法在检查打印机设置屏幕上找到打印机(Windows)
- ▶ 在打印机连接屏幕/连接电缆线屏幕无法继续操作
- ▶ 在设置过程中按 IP 地址或主机名称搜索打印机



无法在检查打印机设置屏幕上找到打印机(Windows)



如果找不到打印机，并且在**搜索打印机**屏幕上通过**自动搜索**来搜索打印机后出现**检查打印机设置**屏幕，请单击**重新检测**，然后在**搜索打印机**屏幕上按 IP 地址重新搜索打印机。

如果在按 IP 地址搜索后仍未找到打印机，请检查网络设置。





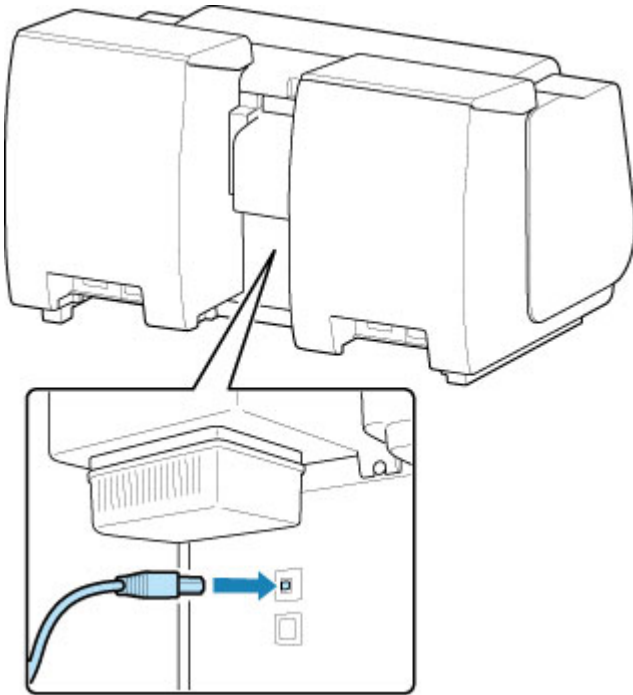
在打印机连接屏幕/连接电缆线屏幕无法继续操作



如果在**打印机连接屏幕**或**连接电缆线屏幕**无法继续操作，请检查以下内容。

检查 1 确保 USB 电缆线已稳固地插入打印机和计算机中。

如下图所示，使用 USB 电缆线连接打印机和计算机。USB 端口位于打印机后部。




请仅在**打印机连接屏幕**无法继续操作时检查以下各项。

检查 2 请按照以下步骤再次连接打印机和计算机。

重要事项

- 对于 Mac OS，确保锁定图标位于**打印机和扫描仪屏幕**(Mac OS X v10.8 或 Mac OS X v10.7 中的**打印与扫描屏幕**)的左下方。

如果显示  图标(锁定)，单击该图标可解锁。(需要管理员名称和密码才能解锁。)

1. 关闭打印机。
2. 从打印机和计算机拔出 USB 电缆线，然后再次连接。
3. 开启打印机。

检查 3 如果无法解决问题，请按照以下步骤重新安装打印机驱动程序。

- 对于 Windows:

1. 单击**取消**。
 - 如果出现**安装失败**屏幕：
 1. 单击**返回开始**。
 2. 单击**开始设置**屏幕上的**退出并完成设置**。
 - 如果出现**连接失败**。屏幕：
 1. 单击**下一步**。
 2. 在显示的屏幕上单击**下一步**。
 3. 在**选择打印机**屏幕上单击**返回初始界面**。
 4. 单击**开始设置**屏幕上的**退出并完成设置**。
2. 关闭打印机。
3. 重新启动计算机。
4. 确保没有应用程序软件正在运行。
5. 按照 Canon 网站上的说明恢复设置。

▶▶▶ 注释

- 可以使用安装光盘恢复设置。

- 对于 Mac OS：
 1. 单击**下一步**。
 2. 单击显示屏幕上的**退出并完成设置**。
 3. 关闭打印机。
 4. 重新启动计算机。
 5. 确保没有应用程序软件正在运行。
 6. 按照 Canon 网站上的说明恢复设置。

在设置过程中按 IP 地址或主机名称搜索打印机

如果无法在**选择打印机**屏幕上找到打印机，请按 IP 地址或主机名称搜索打印机。选择**指定 IP 地址并运行搜索**单选按钮，然后单击**下一步**。将显示选择搜索标准的屏幕。

1. 检查打印机的 IP 地址或主机名称。

要检查打印机的 IP 地址或主机名称，请打印出网络设置信息或使用操作面板显示。

- 在触摸屏上显示。

■ LAN 设置

- 打印网络设置。

■ 打印网络设置

▶▶▶ 注释

- 如果在办公室使用打印机，请咨询网络管理员。

2. 指定搜索方法。

选择以下任一方法。



1. 通过 IPv4 地址搜索

选择通过 IPv4 地址搜索打印机。

2. 通过 IPv6 地址搜索

选择通过 IPv6 地址搜索打印机。

3. 按主机名称搜索

选择按主机名称搜索打印机。主机名称称为 LLMNR 主机名称或 Bonjour 名称。

3. 输入 IP 地址或主机名称，然后单击下一步。

打印机搜索开始。

如果出现错误屏幕：

按照屏幕上的说明解决错误。

如果输入的 IP 地址已用于其他设备，请按照以下步骤指定打印机的 IP 地址。

1. 滑动主页屏幕，然后单击  设备设置。

■ 菜单操作

2. 单击 LAN 设置。

如果指定管理员密码，请输入密码。

3. 单击其他设置。

4. 单击 TCP/IP 设置。

如果指定 IPv4 地址：

1. 单击 IPv4。
2. 在显示的屏幕上单击 OK。
3. 单击 IP 地址。
4. 单击手动设置。

单击自动设置可自动指定 IP 地址。

5. 输入 IP 地址。
6. 单击 OK。
7. 输入子网掩码。
8. 单击 OK。
9. 输入默认网关。
10. 单击 OK。

已指定 IPv4 地址。

如果指定 IPv6 地址：

1. 单击 IPv6。
2. 在显示的屏幕上单击 OK。
3. 单击启用/禁用 IPv6。
4. 单击启用。

已指定 IPv6 地址。

重要事项

- 如果计算机上启用了防火墙，可能无法检测到其他子网上的打印机。请禁用防火墙。

如果防火墙干扰打印机搜索：

- **如果出现信息：**

如果出现 Canon 软件正在尝试访问网络的警告信息，将安全软件设置为允许访问。

允许软件访问后，指定 IP 地址或主机名称，然后重新搜索打印机。

找到打印机时，请按照屏幕上的说明操作继续设置网络通讯。

- **如果未出现信息：**

取消搜索打印机，然后将安全软件设置为允许以下 Canon 软件访问网络。

- 对于 Windows：

安装光盘中 **win > Driver > DrvSetup** 文件夹下的 **Setup.exe** 或 **Setup64.exe**

- 对于 Mac OS：

Setup.app、**canonijnetwork.bundle**、**cnwidsd.plugin** 和 **cnwidss.plugin**

设置安全软件后，指定 IP 地址或主机名称，然后重新搜索打印机。

»» 注释

- 有关操作系统或安全软件的防火墙设置的更多信息，请参见说明手册或联系其制造商。

安装问题

- [删除打印机软件](#)



删除打印机软件



按照以下步骤删除安装在计算机上的实用工具软件。

重要事项

- 必须以管理员身份登录或者具有管理员权限。

注释

- 有关如何删除打印机驱动程序的信息，请参见以下页面。
 - ➔ [删除不需要的打印机驱动程序 \(Windows\)](#)
 - ➔ [从打印机列表中删除不需要的 Canon IJ 打印机 \(Mac OS\)](#)

删除 IJ Network Device Setup Utility(Windows)

按照以下步骤删除 IJ Network Device Setup Utility。

- **Windows 10**
 1. 右键单击**开始**按钮并打开**控制面板**。
 2. 在**程序**下选择**添加或删除程序**，然后从程序列表中选择 IJ Network Device Setup Utility，然后单击**卸载**。
- **Windows 8.1 和 Windows 8**
 1. 使用桌面上的_undefined_ID_超级按钮打开**控制面板**。
 2. 在**程序**下选择**添加或删除程序**，然后从程序列表中选择 IJ Network Device Setup Utility，然后单击**卸载**按钮。
- **Windows 7 和 Windows Vista**
 1. 从**开始**菜单选择**控制面板**。
 2. 请选择**卸载程序**。
 3. 选择 IJ Network Device Setup Utility，然后单击**卸载**按钮。

注释

- 如果显示**用户帐户控制**对话框，则单击**是**。

其他问题

- [电源打不开](#)
- [启动花费时间](#)
- [觉得是异常音时](#)
- [指示确认保养墨盒的提示信息不消失](#)
- [墨水消耗异常](#)
- [打印页未整齐收入篮子](#)
- [已设置首先剪裁边缘时，剪裁的纸张被卷入卷纸单元](#)
- [关于墨水剩余量检测功能](#)



电源打不开



检查 1

是否插入电源线？

将电源线连接到插座上之后，再打开打印机电源。

检查 2

是否提供了规定的电压？

确认插座和断路器的电压。

→ [规格](#)



启动花费时间



因停电或电源线插头脱落等，打印机异常关闭了。

在这种情况下，再次接通电源时，因要检查硬盘，所以有时启动时间延长。

到硬盘检查结束，有时需要几分钟，所以请稍候。

硬盘检查结束后显示出错误提示信息时，请按照提示信息进行处理。



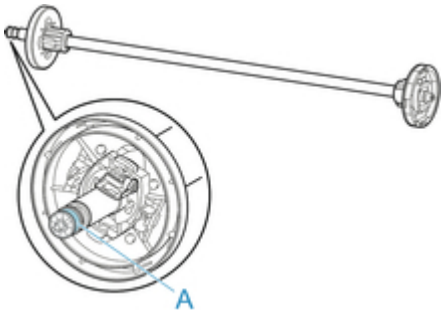
觉得是异常音时



检查 1

卷纸支架附近是否产生异常噪音？

如果卷纸支架末尾的齿轮(A)上积有灰尘，该区域可能会产生噪音。



噪音开始时，请按照以下步骤清洁齿轮。

1. 从打印机上取下卷纸支架。
2. 使用拧干的湿布擦除齿轮上的灰尘，然后使用干布擦干。
3. 将卷纸支架插入打印机。

检查 2

即使不打印，也可能会听到打印机的操作噪音。

以下情况不是异常。

- 压纸滚筒会发出吸入音
为防止纸张浮起，压纸滚筒的表面有吸口，会对纸张产生吸附力。
- 在打印过程中卷纸发出哗啦啦的声音。
进给大尺寸的纸张时，有时会发出哗啦啦的声音。
- 突然发出清洁操作的声音。
以指定的时间间隔自动执行清洗以保养打印机。
- 突然发出搅拌墨水的声音。
以指定的时间间隔自动搅拌墨以保持最佳打印质量。搅拌大约需要 1 分 30 秒。
在以下时间也会自动搅拌墨水。请注意，触摸屏上显示“正在搅拌墨水”时，无法执行其他操作。
 - 打开打印机的电源后
 - 传输数据后

- 更换墨水盒后

在上述之外的情况下，请与佳能客户支持中心联系。



指示确认保养墨盒的提示信息不消失



未识别新更换的保养墨盒。

取下新更换的保养墨盒，然后适当用力重新将其插回。

→ [更换保养墨盒](#)



墨水消耗异常



检查 1

是否打印了大量全彩色材料？

像照片等涂满颜色的打印物的情况下，墨水消耗较多。并非异常。

检查 2

是否频繁执行**系统清洗**？

系统清洗会使用大量墨水。这并非异常。我们建议仅在搬运打印机后，长时间不使用时或打印头出现问题时，才执行**系统清洗**。

检查 3

已进行初期注入。

如果首次使用打印机或在搬运后进行使用，墨水盒将为打印头供给初始用量的墨水。

尽快可能导致剩余墨水量降低，但这并不表示问题。

检查 4

打印头喷嘴是否堵塞？

检查喷嘴的堵塞。

➔ [检查喷嘴是否堵塞](#)



打印页未整齐收入篮子



检查 1

是否放置了卷纸单元？

如果已放置卷纸单元，篮子可能无法正常接住已打印的纸张。

请参阅篮子设置示例，然后尝试其他篮子位置。

→ [篮子设置示例](#)

检查 2

篮子位置是否适合介质类型和尺寸？

篮子最佳位置取决于介质类型和尺寸以及打印机使用条件等因素。

请参阅篮子设置示例，然后尝试其他篮子位置。

→ [篮子设置示例](#)



已设置首先剪裁边缘时，剪裁的纸张被卷入卷纸单元



检查

篮子是否位于位置 1？

如果将卷纸单元用作纸张输送机且篮子位于位置 1，则无边距打印或装入纸张时因执行**首先剪裁边缘**而去掉的纸条可能卷入卷纸单元。

在此情况下，请参阅篮子设置示例并尝试其他位置。

➔ [篮子设置示例](#)



关于墨水剩余量检测功能



打印机墨水盒会检测墨水剩余量以防在打印时墨水用尽，并避免打印机出现故障。

→ 墨水盒

使用再填充墨水的墨水盒时，剩余墨水量检测功能可能无法正常工作且打印可能停止。如果希望使用再填充墨水的墨水盒，您需要禁用剩余墨水量检测功能。

但是，将墨水剩余量检测功能设置为无效进行打印的话，打印机会发生损伤、发生异常的情况。对于原因在于补充了墨水的故障，佳能不予负责。

▶▶▶ 重要事项

- 一旦剩余墨水量检测功能被禁用，该墨水盒将无法恢复此功能。要恢复剩余墨水量检测功能，请为打印机更换新的墨水盒。
- 重复插拔相同的墨水盒会造成墨水盒和打印机之间的触点出现故障，墨水可能从墨水盒中漏出，并且打印机可能会损坏。

将墨水剩余量检测功能设置为无效

安装了曾经空过的墨水盒时，会使墨水剩余量检测功能无效。

如果触摸屏上显示**以上墨水盒可能是已用尽原装 Canon 墨水的墨水盒，或是仿冒的 Canon 墨水盒。**，请按照以下步骤操作。

1. 浏览屏幕，执行触摸屏上显示的信息所述的操作。
2. 如果触摸屏上显示禁用剩余墨水量检测功能的说明，按住**停止**按钮至少 5 秒，然后松开。

墨水剩余量检测功能变为无效。

与错误对应的支持代码列表

发生错误时，计算机上会显示支持代码。

支持代码是伴随错误信息一起显示的错误识别号。

如果发生错误，请查看支持代码并按照建议步骤解决问题。

显示的支持代码

- 1000 - 1ZZZ

[1005](#) [100A](#) [100B](#) [100E](#) [100F](#) [1012](#)

[1018](#) [1019](#) [1021](#) [1022](#) [1023](#) [1024](#)

[1025](#) [1051](#) [1052](#) [1054](#) [1055](#) [1056](#)

[1057](#) [1061](#) [1200](#) [1201](#) [1210](#) [1213](#)

[1214](#) [1300](#) [1306](#) [1317](#) [1318](#) [1322](#)

[1323](#) [1324](#) [1325](#) [1401](#) [1403](#) [1408](#)

[1409](#) [140A](#) [140B](#) [140C](#) [140F](#) [1477](#)

[1478](#) [1480](#) [1481](#) [1485](#) [1492](#) [1494](#)

[1495](#) [1500](#) [1551](#) [1552](#) [1570](#) [1571](#)

[1660](#) [168B](#) [1720](#) [1721](#) [1722](#) [1730](#)

[1731](#) [1752](#) [1753](#) [1756](#) [1757](#) [1875](#)

- 2000 - 2ZZZ

[2001](#) [2002](#) [2130](#) [2131](#) [2132](#)

- 3000 - 3ZZZ

[3000](#) [3001](#) [3101](#) [3200](#) [3201](#) [3250](#)

[3306](#) [3311](#) [3312](#) [3313](#) [3314](#) [3315](#)

[3316](#) [3317](#) [3330](#) [3331](#) [3332](#) [3333](#)

[3334](#) [3335](#) [3336](#) [3340](#) [3341](#) [3350](#)

[3351](#) [3352](#) [3414](#) [3415](#) [3416](#) [3417](#)

[3418](#) [3419](#) [3420](#) [3421](#) [3422](#) [3423](#)

[3424](#)

- 4000 - 4ZZZ

[4107](#) [4111](#) [4112](#) [4113](#) [4114](#) [4115](#)

[4116](#) [4117](#) [4118](#) [4119](#) [4120](#) [4121](#)

[4801](#) [4900](#) [4901](#) [4903](#) [4905](#) [4910](#)

[4911](#) [4913](#) [4920](#) [4922](#) [4924](#) [4925](#)

[4926](#) [4927](#) [4931](#) [4932](#) [4933](#) [4934](#)

[4935](#) [4950](#) [4951](#) [4952](#) [4953](#) [4954](#)

[4955](#) [4956](#) [4957](#) [4959](#)

- 5000 - 5ZZZ

[5106](#) [5200](#) [5A60](#) [5A61](#) [5B16](#) [5B20](#)

[5B21](#) [5C00](#)

- 6000 - 6ZZZ

[6502](#) [6700](#) [6702](#) [6820](#) [6900](#) [6901](#)

[6902](#) [6910](#) [6911](#) [6920](#) [6921](#) [6930](#)

[6931](#) [6932](#) [6933](#) [6940](#) [6941](#) [6942](#)

[6943](#) [6944](#) [6945](#) [6946](#)

- 7000 - 7ZZZ

[7001](#) [7003](#) [7004](#) [7050](#) [7051](#) [7052](#)

- 8000 - 8ZZZ

[8200](#)

- 9000 - 9ZZZ

[9000](#) [9110](#)

- A000 - ZZZZ

[B20A](#) [B510](#)

1005

原因

尝试在单页纸上打印，但是没有安装单页纸。

处理方法

在触摸屏上检查打印作业的介质尺寸和类型，然后点击 **OK**。

- **继续打印**
点击**请装入纸张。**，然后装入纸张。
➔ [安装单页纸进行打印](#)
- **停止打印**
要停止打印，请点击触摸屏上的**取消**或按**停止**按钮。

100A

原因

尝试在卷纸上打印，但是没有安装卷纸。

处理方法

点击触摸屏上的**请装入纸张。**，然后装入卷纸并打印。

➔ [在卷纸支架上装入卷纸](#)

➔ [将上行卷纸装入打印机](#)

▶▶▶ 注释

- 要停止打印，请点击触摸屏上的**取消**或**按停止**按钮。

100B

原因

尝试从**卷纸 2** 打印，但是没有装入卷纸。

处理方法

点击触摸屏上的**请装入纸张。**，然后装入卷纸并打印。

➔ [在卷纸支架上装入卷纸](#)

➔ [将上行卷纸装入打印机](#)

▶▶▶ 注释

- 要停止打印，请点击触摸屏上的**取消**或**按停止**按钮。

100E

原因

发生打印机错误。

处理方法

关闭电源，稍后重新开启打印机。

如果再次出现错误，请记录触摸屏上显示的详细错误代码(ECxx-xxxx)，然后关闭电源并与 Canon 客户服务中心联系。

详细错误代码

EC16-202E

100F

原因

发生打印机错误。

处理方法

关闭电源，稍后重新开启打印机。

如果再次出现错误，请记录触摸屏上显示的详细错误代码(ECxx-xxxx)，然后关闭电源并与 Canon 客户服务中心联系。

详细错误代码

EC21-2F6D

1012

原因

尝试在单页纸上打印，但是没有安装单页纸。

处理方法

点击触摸屏上的**请装入纸张。**，然后装入单页纸并打印。

→ [安装单页纸进行打印](#)

▶▶▶ 注释

- 要停止打印，请点击触摸屏上的**取消**或**按停止**按钮。

1018

原因

卷纸 1 输送机尚未校准。

处理方法

校准时，请取下上行卷纸支架。

1019

原因

卷纸单元输送器尚未校准。

处理方法

校准时，请取下卷纸单元的卷纸支架。

1021

原因

接收到比卷纸剩余量还要长的尺寸的打印作业。

处理方法

- **继续打印**

要继续打印，请点击触摸屏上的**以装入的纸张进行打印**。。

但是，有可能中途卷纸用尽，不能打印到最后。

- **更换纸张**

点击触摸屏上的**替换纸张并打印**。

更改打印机驱动程序中的**纸源**，或将纸张更换为符合打印作业所需长度的纸张，然后重试。

如果使用收纸器，请点击触摸屏上的**取消**以停止打印。

从收纸器取下已打印的纸张，将纸张更换为符合打印作业所需长度的纸张，然后重试。

➔ [从打印机取下上行卷纸](#)

➔ [将上行卷纸装入打印机](#)

➔ [从卷纸单元上取下打印纸](#)

- **停止打印**

要停止打印，请点击触摸屏上的**取消**或按**停止**按钮。

1022

原因

接收的打印作业长度超过卷纸 1 的纸张长度余量。

处理方法

- **继续打印**

要继续打印，请点击触摸屏上的**以装入的纸张进行打印**。。

但是，有可能中途卷纸用尽，不能打印到最后。

- **更换纸张**

点击触摸屏上的**替换纸张并打印**。

更改打印机驱动程序中的**纸源**，或将纸张更换为符合打印作业所需长度的纸张，然后重试。

如果使用收纸器，请点击触摸屏上的**取消**以停止打印。

从收纸器取下已打印的纸张，将纸张更换为符合打印作业所需长度的纸张，然后重试。

➔ [从打印机取下上行卷纸](#)

➔ [将上行卷纸装入打印机](#)

➔ [从卷纸单元上取下打印纸](#)

- **停止打印**

要停止打印，请点击触摸屏上的**取消**或按**停止**按钮。

1023

原因

接收的打印作业长度超过**卷纸 2** 的纸张长度余量。

处理方法

- **继续打印**

要继续打印，请点击触摸屏上的**以装入的纸张进行打印**。。

但是，有可能中途卷纸用尽，不能打印到最后。

- **更换纸张**

点击触摸屏上的**替换纸张并打印**。

更改打印机驱动程序中的**纸源**，或将纸张更换为符合打印作业所需长度的纸张，然后重试。

➔ [从卷纸单元取出下行卷纸\(选装件\)](#)

➔ [在卷纸单元上装入下行卷纸\(选装件\)](#)

- **停止打印**

要停止打印，请点击触摸屏上的**取消**或按**停止**按钮。

原因

可能包括以下原因。

- 卷纸用尽。
- 虽有卷纸，但是进纸失败，未能检测。

处理方法

• 卷纸已用完

用以下步骤更换成与所使用的卷纸尺寸、种类相同的卷纸。

1. 抬起释放杆，取出卷纸。

➔ [从打印机取下上行卷纸](#)

➔ [从卷纸支架上取下卷纸](#)

2. 安装新卷纸。

➔ [在卷纸支架上装入卷纸](#)

➔ [将上行卷纸装入打印机](#)

3. 卷纸上没有印条形码时，选择纸张类型。

➔ [变更介质类型](#)

4. 如果在触摸屏菜单中将**管理剩余卷纸量**设置为**启用**且卷纸上没有打印条形码，请设置纸张长度。

➔ [设置纸张的长度](#)

5. 如果触摸屏上显示“**存在未完成打印的作业。是否打印此作业？**”，请点击**是**。从发生了错误的页重新开始打印。

• 停止进纸，因为卷纸末端被胶带固定在纸管上

取下用完的卷纸，插入新的卷纸。

➔ [从打印机取下上行卷纸](#)

➔ [从卷纸支架上取下卷纸](#)

➔ [安装卷纸并打印](#)

• 停止进纸，因为剩余的卷纸过重

改变打印模式可能会有所帮助，打印模式可以改变纸张的进给时间。

如果正在使用 Windows，请在打印机驱动程序的**详细设定模式**下选择较高的**打印质量**设置。

如果正在使用 Mac OS，请选择打印机驱动程序中的**质量与介质类型**，然后选择较高的**打印质量**设置。

➔ [设置打印质量级别\(用户定义\)](#) (Windows)

➔ [设置打印质量级别\(用户定义\)](#) (Mac OS)

▶▶▶ 注释

- 要停止打印，请按**停止**按钮。

1025

原因

卷纸 2 已用完。

处理方法

用以下步骤更换成与所使用的卷纸尺寸、种类相同的卷纸。

1. 抬起释放杆，取出卷纸。

➔ [从卷纸单元取出下行卷纸\(选装件\)](#)

➔ [从卷纸支架上取下卷纸](#)

2. 安装新卷纸。

➔ [在卷纸支架上装入卷纸](#)

➔ [在卷纸单元上装入下行卷纸\(选装件\)](#)

3. 卷纸上没有印条形码时，选择纸张类型。

➔ [变更介质类型](#)

4. 如果在触摸屏菜单中将**管理剩余卷纸量**设置为**开**且卷纸上没有打印条形码，请设置纸张长度。

➔ [设置纸张的长度](#)

5. 如果触摸屏上显示“**存在未完成打印的作业。是否打印此作业？**”，请点击**是**。从发生了错误的页重新开始打印。

▶▶▶ 注释

- 要停止打印，请按**停止**按钮。

1051

原因

打印机驱动程序中指定的介质类型与打印机中装入的介质类型不同。

处理方法

虽继续进行打印，但是存在打印结果有问题的可能性。

1052

原因

在打印机驱动程序的**适合卷纸宽度**中设置的卷纸宽度与装入打印机的卷纸宽度不同。

处理方法

虽继续进行打印，但是存在打印结果有问题的可能性。

1054

原因

打印机中的纸张小于打印机驱动程序中设置的纸张尺寸。

处理方法

虽继续进行打印，但是存在打印结果有问题的可能性。

1055

原因

打印机中的纸张尺寸无法用于无边距打印。

处理方法

虽继续进行打印，但是存在打印结果有问题的可能性。

1056

原因

纸张位置不适合无边距打印。

处理方法

虽继续进行打印，但是存在打印结果有问题的可能性。

1057

原因

纸张位置不适合无边距打印。

处理方法

虽继续进行打印，但是存在打印结果有问题的可能性。

原因

打印机驱动程序中指定的介质类型与打印机中装入的介质类型不同。

处理方法

点击触摸屏上的 **OK**。

请确保触摸屏上显示的介质类型与装入的介质类型相同，然后点击 **OK**。

- **重新打印**

按照以下步骤使打印机驱动程序中的介质类型符合为打印机指定的介质类型。

1. 点击触摸屏上的**取消**以停止打印。
2. 将打印机驱动程序设置中的介质类型更改为装入打印机的介质类型，然后重试。

- **更换纸张**

按照以下步骤使打印机驱动程序中的介质类型符合为打印机指定的介质类型。

1. 点击触摸屏上的**替换纸张并打印**。
2. 在打印机中装入在打印机驱动程序中指定的介质类型。

➔ [安装卷纸并打印](#)

➔ [安装单页纸进行打印](#)

- **无变更打印**

要继续打印，请点击触摸屏上的**以装入的纸张进行打印**。。

但是，存在发生卡纸或打印结果有问题的可能性。

1200

原因

上盖或打印头锁定盖开启。

处理方法

打开上盖，并确保打印头锁定盖正确关闭。

确保没有异物卡住上盖，然后关闭上盖。

如果再次出现此错误，请关闭上盖，关闭电源，稍后重新开启打印机。

▶▶▶ 注释

- 如果安装打印头，请在完成安装后关闭上盖。

1201

原因

墨水盒舱盖已打开。

处理方法

关闭墨水盒舱盖。

1210

原因

墨水盒舱盖已打开。

处理方法

关闭墨水盒舱盖。

1213

原因

释放杆已抬起。

处理方法

放下释放杆。

再次发生该错误时，关闭电源，稍等片刻后再接通电源。

1214

原因

发生打印机错误。

处理方法

关闭电源，稍后重新开启打印机。

如果再次出现错误，请记录触摸屏上显示的详细错误代码(ECxx-xxxx)，然后关闭电源并与 Canon 客户服务中心联系。

详细错误代码

EC19-2F21 EC51-2F38

1300

原因

打印时打印机内卡纸。

处理方法

1. 松开释放杆并取出卡纸。
 - ➔ [清除卡住的卷纸](#)
 - ➔ [清除卡住的单页纸](#)
2. 安装纸张。
 - ➔ [将上行卷纸装入打印机](#)
 - ➔ [将单页纸安装到打印机上](#)
3. 如果触摸屏上显示“存在未完成打印的作业。是否打印此作业？”，请点击是。
从发生了错误的页重新开始打印。

1306

原因

在安装了单页纸时，接收了指定卷纸的打印作业。

处理方法

用以下步骤安装卷纸并打印。

1. 要取出单页纸，请点击触摸屏上的**取出纸张**。

➔ [取下单页纸](#)

2. 安装卷纸。

➔ [将上行卷纸装入打印机](#)

▶▶▶ 注释

- 要停止打印，请点击触摸屏上的**取消**或**按停止**按钮。

1317

原因

进纸过程中检测到纸张安装歪斜。

处理方法

抬起释放杆，重新装入纸张。

➔ [将上行卷纸装入打印机](#)

➔ [在卷纸单元上装入下行卷纸\(选装件\)](#)

➔ [将单页纸安装到打印机上](#)

如果即使重新装入卷纸后仍再次出现此错误，请从打印机中取下卷纸支架，将卷纸完全插入卷纸支架直至顶住凸缘，然后将卷纸支架插入打印机。

➔ [在卷纸支架上装入卷纸](#)

重要事项

- 如果即使执行上述步骤后仍然出现此信息，或者不希望显示此信息，请将打印机菜单中的**倾斜检测准确度**设置为**关**或**松弛**。但是，请注意纸张的打印方向将倾斜，这会导致卡纸和打印结果异常，或者弄脏压纸滚筒和下一打印页的背面。

1318

原因

发生打印机错误。

处理方法

关闭电源，稍后重新开启打印机。

如果再次出现错误，请记录触摸屏上显示的详细错误代码(ECxx-xxxx)，然后关闭电源并与 Canon 客户服务中心联系。

详细错误代码

EC0F-2F93

1322

原因

无法检测纸张尺寸，因为纸张位置不正确或装入的纸张卷曲。

处理方法

抬起释放杆，重新装入纸张。

➔ [将上行卷纸装入打印机](#)

➔ [在卷纸单元上装入下行卷纸\(选装件\)](#)

➔ [将单页纸安装到打印机上](#)

如果触摸屏上显示“存在未完成打印的作业。是否打印此作业？”，请点击是。

从发生了错误的页重新开始打印。

▶▶▶ 注释

- 如果即使重新装入卷纸后仍再次出现此错误，请从打印机中取下卷纸支架，将卷纸完全插入卷纸支架直至顶住凸缘，然后将卷纸支架插入打印机。

➔ [在卷纸支架上装入卷纸](#)

- 如果压纸滚筒被墨水或其他物质弄脏，或者如果无法检测到透明胶片的尺寸，也可能出现此错误。在这种情况下，请打开上盖，清洁整个压纸滚筒区域。

➔ [清洁上盖内侧](#)

1323

原因

装入了不适用的纸张尺寸。

处理方法

抬起释放杆，重新装入合适尺寸的纸张。

→ [纸张大小](#)

》》》注释

- 如果要进行打印校准或打印喷嘴检查图案，请装入全新 A4/letter 或更大尺寸的纸张。每次校准可能会需要多张纸张。

1324

原因

在安装了卷纸的状态下接收了使用单页纸打印的数据。

处理方法

按照以下步骤重新打印。

1. 点击触摸屏上的**取出纸张**以停止打印。
2. 取出卷纸，装入在打印机驱动程序中指定尺寸和类型的单页纸，然后重试。
 - ➔ [从打印机取下上行卷纸](#)
 - ➔ [安装单页纸进行打印](#)

▶▶▶ 注释

- 要停止打印，请点击触摸屏上的**取消**或**按停止**按钮。

1325

原因

在卷纸设备上使用卷纸时，接收到单页纸的打印数据。

处理方法

按照以下步骤重新打印。

1. 点击触摸屏上的**取消**以停止打印。
2. 取出卷纸，装入在打印机驱动程序中指定尺寸和类型的单页纸，然后重试。
 - ➔ [从卷纸单元上取下打印纸](#)
 - ➔ [安装单页纸进行打印](#)

1401

原因

识别打印头失败。

处理方法

打开上盖，然后重新安装打印头。

→ [更换打印头](#)

1403

原因

打印头出现问题。

处理方法

点击触摸屏上的 **OK**，然后使用新打印头更换当前的打印头。

→ [更换打印头](#)

如果没有更换用的打印头，请关闭电源，有新打印头后再更换。

1408

原因

打印头出现问题。

处理方法

点击触摸屏上的 **OK**，然后使用新打印头更换当前的打印头。

→ [更换打印头](#)

如果没有更换用的打印头，请关闭电源，有新打印头后再更换。

1409

原因

打印头出现问题。

处理方法

点击触摸屏上的 **OK**，然后使用新打印头更换当前的打印头。

→ [更换打印头](#)

如果没有更换用的打印头，请关闭电源，有新打印头后再更换。

140A

原因

打印头出现问题。

处理方法

点击触摸屏上的 **OK**，然后使用新打印头更换当前的打印头。

→ [更换打印头](#)

如果没有更换用的打印头，请关闭电源，有新打印头后再更换。

140B

原因

识别打印头失败。

处理方法

打开上盖，然后重新安装打印头。

→ [更换打印头](#)

140C

原因

打印头出现问题。

处理方法

关闭电源，稍后重新开启打印机。

140F

原因

打印头出现问题。

处理方法

点击触摸屏上的 **OK**，然后使用新打印头更换当前的打印头。

→ [更换打印头](#)

如果没有更换用的打印头，请关闭电源，有新打印头后再更换。

1477

原因

打印头出现问题。

处理方法

打开上盖并使用打印头进行更换。

➔ [更换打印头](#)

1478

原因

打印头出现问题。

处理方法

点击触摸屏上的 **OK**，然后使用新打印头更换当前的打印头。

→ [更换打印头](#)

如果没有更换用的打印头，请关闭电源，有新打印头后再更换。

1480

原因

安装的打印头之前在其他型号上使用过。

处理方法

请安装正确的打印头。

→ [更换打印头](#)

1481

原因

安装的打印头之前在使用不同墨水组的型号上使用过。

处理方法

请安装正确的打印头。

➔ [更换打印头](#)

1485

原因

无法使用安装的打印头。

处理方法

请安装正确的打印头。

→ [更换打印头](#)

1492

原因

发生打印机错误。

处理方法

关闭电源，稍后重新开启打印机。

如果再次出现错误，请记录触摸屏上显示的详细错误代码(ECxx-xxxx)，然后关闭电源并与 Canon 客户服务中心联系。

详细错误代码

EC3F-2F40 EC3F-2F41

1494

原因

打印头可能出现问题。

处理方法

关闭电源，稍后重新开启打印机。

如果再次出现错误，请取下打印头，然后重新安装。

➔ [更换打印头](#)

如果仍然出现错误，请使用新打印头进行更换。

1495

原因

打印头喷嘴堵塞。

处理方法

按照以下步骤清洗打印头。

1. 点击触摸屏上的**取消**以停止打印。
2. 清洗打印头。

➔ [清洗打印头](#)

打印时如果仍然出现此信息，请更换打印头。

➔ [更换打印头](#)

重要事项

- 要继续打印，请使用触摸屏并点击**继续打印**。但是，打印结果可能不会令人满意。

1500

原因

墨水盒中的墨水量很少。

处理方法

准备一个新墨水盒。

1551

原因

检测到使用过的原装 Canon 墨水盒。

处理方法

要清除该信息，请点击触摸屏上的 **OK**。

1552

原因

已插入原装 Canon 墨水盒。

处理方法

要清除该信息，请点击触摸屏上的 **OK**。

1570

原因

墨水盒中的墨水已用完。

处理方法

请在本打印机的辅助墨水盒墨水不足前，打开墨水盒舱盖，然后更换墨水盒。

→ [更换墨水盒](#)

▶▶▶ 注释

- 即使在打印时也可以更换墨水盒。

1571

原因

打印时墨水盒被取下。

处理方法

如果要更换墨水盒，请插入新的墨水盒。

→ [更换墨水盒](#)

1660

原因

墨水盒未插入。

处理方法

请正确插入墨水盒。

→ [更换墨水盒](#)

168B

原因

无法识别墨水盒。

因为墨水盒可能与本打印机不兼容，所以无法执行打印。

处理方法

请安装合适的墨水盒。

1720

原因

保养墨盒已满。

需要更换。

处理方法

请更换保养墨盒。

➔ [更换保养墨盒](#)

1721

原因

未安装保养墨盒。

处理方法

请安装保养墨盒。

➔ [更换保养墨盒](#)

1722

原因

保养墨盒类型不正确。

处理方法

插入正确的保养墨盒。

→ [更换保养墨盒](#)

如果仍然出现此错误，请与 Canon 客户服务中心联系。

1730

原因

该墨水盒可能是用尽原装 Canon 墨水的墨水盒，或是仿冒的 Canon 墨水盒。

处理方法

要进行打印，必须更换墨水盒或禁用剩余墨水量检测功能。

要禁用剩余墨水量检测功能，请按住打印机的**停止**按钮至少 5 秒，然后松开。

此操作将记录您已禁用剩余墨水量检测功能。请注意，对于因在墨水用完的情况下继续打印或使用再填充墨水盒而导致的任何故障或问题，Canon 将不承担任何责任。

▶▶▶ 注释

- 如果剩余墨水量检测功能被禁用，则检查当前墨水量时 LCD 屏幕中显示的墨水盒为灰色。

要举报仿冒的墨水盒，请从以下链接访问 Canon 网站。

➔ [举报仿冒品](#)

1731

原因

检测到非原装 Canon 墨水盒。

处理方法

要进行打印，必须更换墨水盒或禁用剩余墨水量检测功能。

要禁用剩余墨水量检测功能，请按住打印机的**停止**按钮至少 5 秒，然后松开。

此操作将记录您已禁用剩余墨水量检测功能。请注意，对于因使用非原装 Canon 墨水盒而导致的任何故障或问题，Canon 将不承担任何责任。

▶▶▶ 注释

- 如果剩余墨水量检测功能被禁用，则检查当前墨水量时 LCD 屏幕中显示的墨水盒为灰色。

要举报仿冒的墨水盒，请从以下链接访问 Canon 网站。

➔ [举报仿冒品](#)

1752

原因

墨水已用完。

处理方法

打开墨水盒舱盖，然后更换墨水盒。

→ [更换墨水盒](#)

1753

原因

无法正确检测墨水的剩余量。

处理方法

更换墨水盒。打印将重新开始。

→ [更换墨水盒](#)

安装了用尽过的墨水盒。

如果希望继续打印，您需要禁用剩余墨水量检测功能。

要禁用该功能，请按住打印机的**停止**按钮至少 5 秒，然后松开。

此操作将记录您已禁用剩余墨水量检测功能。

请注意，对于因在墨水用完的情况下继续打印或使用再填充墨水盒而导致的任何故障或问题，Canon 将不承担任何责任。

1756

原因

墨水可能不足。

处理方法

要执行下一个处理或继续执行指定处理，请更换墨水盒。

→ [更换墨水盒](#)

1757

原因

无法填充墨水盒。

处理方法

请检查触摸屏，取出受影响颜色的墨水盒，然后将其重新插入。

如果插入的墨水盒已用完，请使用新墨水盒进行更换。

➔ [更换墨水盒](#)

1875

原因

尝试在卷纸单元的卷纸上打印，但是未开启卷纸单元或已将其取下。

处理方法

关闭电源，然后检查与卷纸单元的连接。

➔ [卷纸单元](#)

➔ [切换卷纸单元模式](#)

2001

原因

连接了不兼容的设备。

处理方法

检查连接到 USB 闪存端口的设备。

仅 USB 闪存可以连接到此设备进行直接打印。

2002

原因

连接了不兼容的 USB 集线器。

处理方法

如果通过 USB 集线器将 USB 闪存连接到此设备，请取下该 USB 集线器。

请将 USB 闪存直接连接至此设备。

2130

原因

打印作业中的卷纸宽度设置与打印机中的卷纸宽度不同。

处理方法

点击触摸屏上的 **OK**。

请检查触摸屏上显示的打印作业中的**页尺寸**和**类型**，然后点击 **OK**。

- **继续打印**

点击**以装入的纸张进行打印**。以继续在装入的纸张上打印。

但是，存在发生卡纸或打印结果有问题的可能性。

- **更换卷纸并打印**

点击**替换纸张并打印**，然后将纸张更换为打印作业**页尺寸**设置中指定宽度的卷纸。

➔ [从打印机取下上行卷纸](#)

➔ [从卷纸单元取出下行卷纸\(选装件\)](#)

➔ [从卷纸支架上取下卷纸](#)

➔ [在卷纸支架上装入卷纸](#)

➔ [将上行卷纸装入打印机](#)

➔ [在卷纸单元上装入下行卷纸\(选装件\)](#)

- **停止打印**

点击触摸屏上的**取消**或按**停止**按钮。

▶▶▶ 注释

- 要更改 Windows 中的打印设置，请在打印机驱动程序中选择**适合卷纸宽度**，然后在出现的对话框中设置卷纸宽度。

- 要更改 Mac OS 中的打印设置，请打开打印机驱动程序并选择**适合卷纸宽度**，然后将该选项卡中的卷纸宽度设置为打印机中装入的纸张宽度。

- 要隐藏此信息，请在触摸屏菜单中将**检测纸张设置不匹配**设置为**不检测**。

➔ [菜单结构](#)

原因

打印机中装入的卷纸宽度小于打印作业中的卷纸宽度。

处理方法

请检查触摸屏上显示的打印作业中的**页尺寸**和**类型**，然后点击 **OK**。

- **继续打印**
点击**以装入的纸张进行打印**。以继续在装入的纸张上打印。
但是，有打印结果发生不良情况的可能性。
- **更换卷纸并打印**
点击**替换纸张并打印**，然后将纸张更换为打印作业**页尺寸**设置中指定宽度的卷纸。
 - ➔ [从打印机取下上行卷纸](#)
 - ➔ [从卷纸单元取出下行卷纸\(选装件\)](#)
 - ➔ [从卷纸支架上取下卷纸](#)
 - ➔ [在卷纸支架上装入卷纸](#)
 - ➔ [将上行卷纸装入打印机](#)
 - ➔ [在卷纸单元上装入下行卷纸\(选装件\)](#)
- **停止打印**
点击触摸屏上的**取消**或按**停止**按钮。

▶▶▶ 注释

- 要更改 Windows 中的打印设置，请在打印机驱动程序中选择**适合卷纸宽度**，然后在出现的对话框中设置卷纸宽度。
- 要更改 Mac OS 中的打印设置，请打开打印机驱动程序并选择**适合卷纸宽度**，然后将该选项卡中的卷纸宽度设置为打印机中装入的纸张宽度。
- 要隐藏此信息，请在触摸屏菜单中将**检测纸张设置不匹配**设置为**不检测**。但是，有打印结果发生不良情况的可能性。
 - ➔ [菜单结构](#)

2132

原因

由于以下原因，无法打印内部打印机数据(如测试打印)。

- 打印机中装入的卷纸太小。
- 打印机中装入的单页纸尺寸或类型错误。

处理方法

- **卷纸时**
点击触摸屏上的**替换纸张并打印**，或抬起释放杆，然后更换为正确尺寸的纸张。
要停止打印，请点击**取消**或按**停止**按钮。
- **单页纸时**
抬起释放杆，然后装入与第一页纸张的尺寸和类型相同的纸张。
要停止打印，请按**停止**按钮。

3000

原因

打印头尚未校准。

处理方法

建议执行打印头对齐。

→ [调整打印头](#)

》》》注释

- 执行打印头对齐之前，此信息将一直出现。

3001

原因

打印头喷嘴堵塞。

处理方法

检查打印的材料。

如果打印的材料中出现划痕，请清洗打印头。

➔ [清洗打印头](#)

原因

建议立即执行**通用校准**或**个别校准**。

校准指南设置设置为**启用**并且出现以下任一情况时，会出现此信息。

- 打印机中装入的介质类型不适合**色彩校准**，并且上次执行**通用校准**后已满足指定条件。
- 打印机中装入的介质类型适合**色彩校准**，但没有该介质类型的**色彩校准**结果，并且上次执行**通用校准**后已满足指定条件。
- 打印机中装入的介质类型适合**色彩校准**，但没有该介质类型的**色彩校准**结果，并且也没有**通用校准**结果。

处理方法

根据需要执行**通用校准**。

➔ [执行色彩校准](#)

➤➤➤ 注释

- 要隐藏此信息，请在触摸屏菜单中将**校准指南设置**设置为**禁用**。

➔ [菜单结构](#)

3200

原因

需要服务更换的消耗品已接近更换时期。

处理方法

出现“**需要更换部件。**”信息前，还可以继续使用一段时间。

请与佳能客户支持中心联系。

3201

原因

需要服务更换的消耗品已过标准更换时期。

处理方法

请与佳能客户支持中心联系。

3250

原因

保养墨盒将满。

处理方法

如果在保养墨盒已满时继续使用打印机，则可能会发生错误，所以请准备一个新的保养墨盒。

→ [更换保养墨盒](#)

3306

原因

由于打印机介质信息损坏，所以无法识别介质信息。

处理方法

启动 **Media Configuration Tool**，然后恢复介质信息。

➔ [Media Configuration Tool 指南 \(Windows\)](#)

➔ [Media Configuration Tool 指南 \(Mac OS\)](#)

要将 **Media Configuration Tool** 设置为恢复模式，请打开 **Media Configuration Tool**，选择此设备，然后单击**确定**。

选择并加载介质信息备份文件。

如果没有介质信息备份文件，请与 Canon 客户服务中心联系。

3311

原因

打印数据不正确。

参数数字非法。

处理方法

打印数据有缺陷，请检查打印结果。

如果使用 RIP(光栅图像处理器)等打印软件，请联系软件制造商。

3312

原因

打印数据不正确。

遗漏了必填项目。

处理方法

打印数据有缺陷，请检查打印结果。

如果使用 RIP(光栅图像处理器)等打印软件，请联系软件制造商。

3313

原因

打印数据不正确。

数据超出范围。

处理方法

打印数据有缺陷，请检查打印结果。

如果使用 RIP(光栅图像处理器)等打印软件，请联系软件制造商。

3314

原因

打印数据不正确。

分辨率值超出范围。

处理方法

打印数据有缺陷，请检查打印结果。

如果使用 RIP(光栅图像处理器)等打印软件，请联系软件制造商。

3315

原因

打印数据不正确。

压缩方法值超出范围。

处理方法

打印数据有缺陷，请检查打印结果。

如果使用 RIP(光栅图像处理器)等打印软件，请联系软件制造商。

3316

原因

打印数据不正确。

数据格式(套色顺序、位计数)不正确。

处理方法

打印数据有缺陷，请检查打印结果。

如果使用 RIP(光栅图像处理器)等打印软件，请联系软件制造商。

3317

原因

打印数据不正确。

分辨率和图像数据格式组合非法。

处理方法

打印数据有缺陷，请检查打印结果。

如果使用 RIP(光栅图像处理器)等打印软件，请联系软件制造商。

3330

原因

打印数据可能损坏。

处理方法

请确认打印数据。

3331

原因

因为有大量打印数据，所以打印结果可能异常。

处理方法

请确认打印数据。

3332

原因

不支持的 JPEG 数据格式。

处理方法

从计算机打印。

3333

原因

不支持的 JPEG 数据格式。

处理方法

从计算机打印。

3334

原因

受打印保护的 PDF 数据。

处理方法

在 Adobe Acrobat 中打开 PDF 文件，并确保其可以打印。

3335

原因

PDF 文件损坏。

处理方法

在 Adobe Acrobat 中打开 PDF 文件，并对其进行检查。

还可以从 Adobe Acrobat 打印该文件。

3336

原因

因为 PDF 文件中的字体并非嵌入字体或尚未安装，所以字体被替换。

处理方法

将 PDF 文件中使用的字体设置为嵌入字体，然后重新保存。

3340

原因

打印数据不包含图像处理参数。

处理方法

请检查打印作业设置。

3341

原因

打印数据包含非法的图像处理表。

处理方法

请检查打印作业图像处理表。

3350

原因

打印机硬盘上个人作业箱的可用空间少于 1GB。

处理方法

删除个人箱中保存着的不需要的作业。

→ [删除保存的作业](#)

3351

原因

个人箱中保存着 100 个打印作业。

处理方法

请删除个人作业箱中存储的不需要的作业。

→ [删除保存的作业](#)

3352

原因

打印机硬盘已满，所以只能打印作业。

(打印作业不会保存到硬盘。)

处理方法

要保存打印作业，请删除个人作业箱中存储的不需要的作业。

➔ [删除保存的作业](#)

3414

原因

与邮件服务器通讯失败。

处理方法

点击触摸屏上的 **OK** 以清除错误。

确认 RemoteUI 邮件服务器设置中的发送邮件服务器(SMTP 服务器)地址和端口号是否正确。

➔ [设置邮件服务器](#)

如果此操作未能解决错误，请检查邮件服务器的状态。

请联系邮件服务器管理员以检查服务器设置和状态。

3415

原因

与邮件服务器通讯失败。

处理方法

点击触摸屏上的 **OK** 以清除错误。

确认 RemoteUI 邮件服务器设置中的接收邮件服务器(POP3 服务器)地址和端口号是否正确。

➔ [设置邮件服务器](#)

如果此操作未能解决错误，请检查邮件服务器的状态。

请联系邮件服务器管理员以检查服务器设置和状态。

3416

原因

与邮件服务器通讯失败。

处理方法

点击触摸屏上的 **OK** 以清除错误。

确认邮件服务器和设备安全连接(SSL)的设置是否匹配。

检查 RemoteUI 中的安全连接(SSL)设置。

➔ [设置邮件服务器](#)

请联系邮件服务器管理员设置与邮件服务器的安全连接(SSL)。

3417

原因

与邮件服务器通讯失败。

处理方法

点击触摸屏上的 **OK** 以清除错误。

确认邮件服务器和设备安全连接(SSL)的设置是否匹配。

检查 RemoteUI 中的安全连接(SSL)设置。

➔ [设置邮件服务器](#)

请联系邮件服务器管理员设置与邮件服务器的安全连接(SSL)。

3418

原因

与邮件服务器通讯失败。

处理方法

点击触摸屏上的 **OK** 以清除错误。

确认 RemoteUI 邮件服务器设置中的发送邮件服务器(SMTP 服务器)设置是否正确。

➔ [设置邮件服务器](#)

如果此操作未能解决错误，请检查邮件服务器的状态。

请联系邮件服务器管理员以检查服务器设置和状态。

3419

原因

与邮件服务器通讯失败。

处理方法

点击触摸屏上的 **OK** 以清除错误。

确认 RemoteUI 邮件服务器中的发送帐户和密码设置是否正确。

➔ [设置邮件服务器](#)

如果此操作未能解决错误，请检查邮件服务器的状态。

请联系邮件服务器管理员以检查服务器设置和状态。

3420

原因

与邮件服务器通讯失败。

处理方法

点击触摸屏上的 **OK** 以清除错误。

确认 RemoteUI 邮件服务器设置中的接收邮件服务器(POP3 服务器)设置是否正确。

➔ [设置邮件服务器](#)

如果此操作未能解决错误，请检查邮件服务器的状态。

请联系邮件服务器管理员以检查服务器设置和状态。

3421

原因

与邮件服务器通讯失败。

处理方法

点击触摸屏上的 **OK** 以清除错误。

确认 RemoteUI 邮件服务器中的接收帐户和密码设置是否正确。

➔ [设置邮件服务器](#)

如果此操作未能解决错误，请检查邮件服务器的状态。

请联系邮件服务器管理员以检查服务器设置和状态。

3422

原因

与邮件服务器通讯失败。

处理方法

点击触摸屏上的 **OK** 以清除错误。

确认邮件服务器上的设置和设备上的 APOP 设置是否匹配。

在 RemoteUI 中检查该设备的 APOP 设置。

➔ [设置邮件服务器](#)

请联系邮件服务器管理员以在邮件服务器上配置 APOP。

3423

原因

与邮件服务器通讯失败。

处理方法

点击触摸屏上的 **OK** 以清除错误。

检查 RemoteUI 邮件服务器设置是否正确。

➔ [设置邮件服务器](#)

如果此操作未能解决错误，请检查邮件服务器的状态。

请联系邮件服务器管理员以检查服务器设置和状态。

3424

原因

发送邮件失败。

处理方法

点击触摸屏上的 **OK** 以清除错误。

指定正确的目标邮件地址，然后重试

4107

原因

可能包括以下原因。

- 使用下行卷纸时，接收到上行卷纸的打印作业。
- 使用上行卷纸时，接收到下行卷纸的打印作业。

处理方法

点击触摸屏上的 **OK** 以清除错误。

取下打印物，然后重试。

4111

原因

指定的介质类型与该设备不兼容。

处理方法

点击触摸屏上的 **OK** 以清除错误。

检查介质类型设置，然后重试。

4112

原因

接收的打印作业指定使用从卷纸单元送入的纸张，但卷纸单元未设置为进纸。

处理方法

要停止打印，请点击触摸屏上的 **OK** 或按**停止**按钮。

检查卷纸单元设置，然后重试。

➔ [切换卷纸单元模式](#)

4113

原因

由于以下原因，无法执行无边距打印。

- 打印机驱动程序未设置为**适合卷纸宽度**。
- 卷纸宽度不够，或纸张位置不当。

处理方法

- **停止打印**

点击触摸屏上的**取消**。

- **更换纸张**

按照以下步骤将打印机的纸张更换为可以执行无边距打印的纸张。

1. 点击触摸屏上的**替换纸张并打印**，然后取下卷纸。

➔ [从打印机取下上行卷纸](#)

➔ [从卷纸单元取出下行卷纸\(选装件\)](#)

➔ [从卷纸支架上取下卷纸](#)

2. 将打印机的纸张更换为可以执行无边距打印的纸张。

➔ [在卷纸支架上装入卷纸](#)

➔ [将上行卷纸装入打印机](#)

➔ [在卷纸单元上装入下行卷纸\(选装件\)](#)

- **有边距打印**

点击触摸屏上的**有边距打印**。

现已启用有边距打印。

4114

原因

纸张位置不适合无边距打印。

处理方法

- **停止打印**

点击触摸屏上的**取消**。

- **更换纸张**

按照以下步骤将打印机的纸张更换为可以执行无边距打印的纸张。

1. 点击触摸屏上的**替换纸张并打印**，然后取下卷纸。

➔ [从打印机取下上行卷纸](#)

➔ [从卷纸单元取出下行卷纸\(选装件\)](#)

➔ [从卷纸支架上取下卷纸](#)

2. 将打印机的纸张更换为可以执行无边距打印的纸张。

➔ [在卷纸支架上装入卷纸](#)

➔ [将上行卷纸装入打印机](#)

➔ [在卷纸单元上装入下行卷纸\(选装件\)](#)

- **有边距打印**

点击触摸屏上的**有边距打印**。

现已启用有边距打印。

▶▶▶ 注释

• 由于根据使用环境卷纸伸长或缩短，所以会有装不进可以进行无边界打印范围的情况。

在合适的使用条件下使用各介质类型。有关使用条件，请参见介质信息列表。

➔ [纸张信息列表](#)

4115

原因

打印机中的纸张无法用于无边距打印。

处理方法

- **停止打印**

点击触摸屏上的**取消**。

- **更换纸张**

按照以下步骤将打印机的纸张更换为可以执行无边距打印的纸张。

1. 点击触摸屏上的**替换纸张并打印**，然后取下卷纸。

➔ [从打印机取下上行卷纸](#)

➔ [从卷纸支架上取下卷纸](#)

2. 将打印机的纸张更换为可以执行无边距打印的纸张。

➔ [在卷纸支架上装入卷纸](#)

➔ [将上行卷纸装入打印机](#)

- **有边距打印**

点击触摸屏上的**有边距打印**。

现已启用有边距打印。

4116

原因

纸张的安装位置偏离。

处理方法

- **重新装入纸张**
点击触摸屏上的**替换纸张并打印**，然后装入纸张，使纸张的边缘位于无边距打印墨水槽内。
完全插入卷纸直至顶住卷纸支架凸缘。
→ [在卷纸支架上装入卷纸](#)
- **有边距打印**
点击触摸屏上的**有边距打印**。
现已启用有边距打印。
- **停止打印**
点击触摸屏上的**取消**以停止打印。

▶▶▶ 注释

- 要强制打印机执行打印，请在触摸屏菜单中将**检测纸张设置不匹配**设置为**不检测**。
但是，有打印结果发生不良情况的可能性。

4117

原因

接收了已指定不对应无边界打印的纸张类型或者纸张宽度的数据。

处理方法

- **更改打印作业设置**

用以下步骤重新设置打印作业以能够进行无边界打印。

1. 点击触摸屏上的**取消**以停止打印。
2. 确认已选择打印机的打印机驱动程序，然后重试。
有关支持无边距打印的介质类型，请参见介质信息列表。

➔ 纸张信息列表

- **有边距打印**

点击触摸屏上的**有边距打印**。

现已启用有边距打印。

注 释

- 要强制打印机执行打印，请在触摸屏菜单中将**检测纸张设置不匹配**设置为**不检测**。
但是，有打印结果发生不良情况的可能性。

4118

原因

打印机中的纸张尺寸无法用于无边距打印。

处理方法

- **停止打印**
点击触摸屏上的**取消**以停止打印。
- **有边距打印**
点击触摸屏上的**有边距打印**。
现已启用有边距打印。

》》》注释

- 有关支持无边距打印的介质类型，请参见介质信息列表。
➔ 纸张信息列表

4119

原因

因为纸张位置不当，所以无法执行无边距打印。

处理方法

- **重新装入纸张**
抬起释放杆，重新装入卷纸。
➔ [将上行卷纸装入打印机](#)
➔ [在卷纸单元上装入下行卷纸\(选装件\)](#)
- **有边距打印**
点击触摸屏上的**有边距打印**。
现已启用有边距打印。
- **停止打印**
点击触摸屏上的**取消**以停止打印。

4120

原因

接收了已指定不对应无边距打印的纸张类型或者纸张宽度的数据。

处理方法

- **更改打印作业设置**

用以下步骤重新设置打印作业以能够进行无边距打印。

1. 点击触摸屏上的**取消**以停止打印。
2. 确认已选择打印机的打印机驱动程序，然后重试。

有关支持无边距打印的介质类型，请参见介质信息列表。

➔ 纸张信息列表

- **有边距打印**

点击触摸屏上的**有边距打印**。

现已启用有边距打印。

▶▶▶ 注释

- 要强制打印机执行打印，请在触摸屏菜单中将**检测纸张设置不匹配**设置为**不检测**。

但是，有打印结果发生不良情况的可能性。

4121

原因

由于以下原因，无法执行无边距打印。

- 未在打印机驱动程序中指定**适合卷纸宽度**。
- 卷纸宽度不够，或纸张位置不当。

处理方法

- **停止打印**
点击触摸屏上的**取消**以停止打印。
- **有边距打印**
点击触摸屏上的**有边距打印**。
现已启用有边距打印。

4801

原因

发生打印机错误。

处理方法

关闭电源，稍后重新开启打印机。

如果再次出现错误，请记录触摸屏上显示的详细错误代码(ECxx-xxxx)，然后关闭电源并与 Canon 客户服务中心联系。

详细错误代码

EC01-2F90 EC01-2F95 EC04-2F31 EC04-2F91 EC05-2F92 EC06-2F9A
EC06-2F9B EC06-2F9C EC07-2F19 EC0F-2F96 EC11-2F2A EC12-2F29
EC12-2F2B EC12-2F2C EC13-2F17 EC15-2E23 EC16-2021 EC16-2022
EC16-2027 EC16-202A EC16-2038 EC17-2023 EC17-2024 EC17-2028
EC17-2029 EC17-2039 EC1B-2030 EC1B-2031 EC1B-2032 EC1B-2033
EC1C-2034 EC1C-2035 EC1C-2036 EC1C-2037 EC21-2F51 EC21-2F54
EC21-2F57 EC21-2F59 EC21-2F5B EC21-2F5D EC21-2F61 EC21-2F64
EC21-2F66 EC21-2F67 EC21-2F68 EC21-2F6E EC21-2F70 EC21-2F71
EC21-2F72 EC21-2F7D EC22-2F30 EC22-2F47 EC23-260E EC23-260F
EC23-2F11 EC23-2F18 EC23-2F32 EC25-2F16 EC31-2F09 EC31-2F10
EC31-2F1B EC31-2F1C EC31-2F1D EC31-2F1E EC31-2F1F EC31-2F22
EC31-2F23 EC31-2F94 EC33-2601 EC33-2604 EC33-2F3A EC34-2602
EC34-2605 EC34-2F3B EC35-2603 EC35-2606 EC35-2F3C EC51-2F14
EC51-2F15 EC51-2FDD EC51-2FDE EC51-2FDF EC51-3301 EC51-3302
EC51-3303 EC54-290A EC55-2F20 EC58-2F12

4900

原因

打印机硬盘已满。

处理方法

按**停止**按钮以停止打印，然后采取以下措施。

- 取消作业队列中的**打印作业**。
 - ➔ [管理作业队列\(删除或占用其他作业\)](#)
- 删除个人箱中保存着的**不需要的作业**。
 - ➔ [删除保存的作业](#)

4901

原因

打印机硬盘尚未格式化。

处理方法

点击触摸屏上的 **OK** 开始格式化硬盘。

格式化完成后，硬盘上的数据将被清除，打印机将自动重新启动。

4903

原因

作业箱中保存的作业数量已达到最大值。

处理方法

采取以下解决方法。

- 取消作业队列中的**打印作业**。
 - ➔ [管理作业队列\(删除或占用其他作业\)](#)
- 删除个人箱中保存着的不需要的作业。
 - ➔ [删除保存的作业](#)

注 释

- 要停止打印，请按**停止**按钮。

4905

原因

发生打印机错误。

处理方法

关闭电源，稍后重新开启打印机。

如果再次出现错误，请记录触摸屏上显示的详细错误代码(ECxx-xxxx)，然后关闭电源并与 Canon 客户服务中心联系。

详细代码

EC51-3304 EC51-3306 EC51-3307 EC51-3308 EC51-3309 EC51-330A

4910

原因

在打印机驱动程序中的**适合卷纸宽度**中设置的卷纸宽度与装入打印机的卷纸宽度不同。

处理方法

点击触摸屏上的 **OK** 转到下一屏幕。

检查显示的介质类型和尺寸，然后点击 **OK**。

- **无变更打印**

点击触摸屏上的**以装入的纸张进行打印**。。

但是，存在发生卡纸或打印结果有问题的可能性。

- **停止打印**

点击触摸屏上的**取消**以停止打印。

- **更换卷纸**

按照以下步骤将纸张更换为打印机驱动程序中指定宽度的卷纸。

1. 点击触摸屏上的**替换纸张并打印**，然后取下卷纸。

➔ [从打印机取下上行卷纸](#)

➔ [从卷纸单元取出下行卷纸\(选装件\)](#)

➔ [从卷纸支架上取下卷纸](#)

2. 将纸张更换为打印机驱动程序中指定宽度的卷纸。

➔ [在卷纸支架上装入卷纸](#)

➔ [将上行卷纸装入打印机](#)

➔ [在卷纸单元上装入下行卷纸\(选装件\)](#)

打印开始。

▶▶▶ 注释

- 要更改 Windows 中的打印设置，请在打印机驱动程序中选择**适合卷纸宽度**，然后在出现的对话框中设置卷纸宽度。
- 要更改 Mac OS 中的打印设置，请打开打印机驱动程序并选择**适合卷纸宽度**，然后将该选项卡中的卷纸宽度设置为打印机中装入的纸张宽度。

4911

原因

打印机驱动程序中指定的介质类型与打印机中装入的介质类型不同。

处理方法

- **更改打印机驱动程序的打印设置**

按照以下步骤使打印机驱动程序中的介质类型符合为打印机指定的介质类型。

1. 点击触摸屏上的**取消**以停止打印。
2. 将打印机驱动程序设置中的介质类型更改为装入打印机的介质类型，然后重试。

- **更换纸张**

按照以下步骤使打印机驱动程序中的介质类型符合为打印机指定的介质类型。

1. 点击触摸屏上的**取消**以停止打印。
2. 在打印机中装入打印机驱动程序中设置的介质类型，然后重试。

➔ [安装卷纸并打印](#)

➔ [安装单页纸进行打印](#)

- **无变更打印**

要继续打印，请点击触摸屏上的**以装入的纸张进行打印**。。

但是，存在发生卡纸或打印结果有问题的可能性。

原因

由于以下原因之一，无法执行无边距打印。

- 打印机中的纸张尺寸无法用于无边距打印。
- 纸张的安装位置偏离。

处理方法

• 更换纸张

按照以下步骤将打印机的纸张更换为可以执行无边距打印的纸张。

1. 点击触摸屏上的**替换纸张并打印**，然后取下卷纸。

➔ [从打印机取下上行卷纸](#)

➔ [从卷纸单元取出下行卷纸\(选装件\)](#)

➔ [从卷纸支架上取下卷纸](#)

2. 将打印机的纸张更换为可以执行无边距打印的纸张。

➔ [在卷纸支架上装入卷纸](#)

➔ [将上行卷纸装入打印机](#)

➔ [在卷纸单元上装入下行卷纸\(选装件\)](#)

打印开始。

▶▶▶ 注释

- 有关支持无边距打印的介质类型，请参见介质信息列表。

➔ [纸张信息列表](#)

• 重新装入纸张

点击触摸屏上的**替换纸张并打印**，然后装入纸张，使纸张的边缘位于无边距打印墨水槽内。

完全插入卷纸直至顶住卷纸支架凸缘。

➔ [在卷纸支架上装入卷纸](#)

• 有边距打印

点击触摸屏上的**有边距打印**。

现已启用有边距打印。

• 停止打印

点击触摸屏上的**取消**以停止打印。

原因

由于以下原因之一，无法裁切纸张。

- 裁切的纸张被遗留在出纸导片上。
- 出纸槽附近有妨碍切刀刀片的异物。
- 未在建议的使用条件下使用纸张。
- 正在使用的纸张无法执行**自动裁切**。

处理方法

- **裁切的纸张被遗留在出纸导片上**

按照以下步骤恢复打印。

1. 抬起释放杆，取出纸张。
2. 安装纸张。
3. 放下释放杆。
4. 如果触摸屏上显示“**存在未完成打印的作业。是否打印此作业？**”，请点击**是**。

从发生了错误的页重新开始打印。

➔ [将上行卷纸装入打印机](#)

- **出纸槽附近有妨碍切刀刀片的异物**

按照以下步骤恢复打印。

1. 打开上盖并清除异物。
2. 如果触摸屏上显示“**存在未完成打印的作业。是否打印此作业？**”，请点击**是**。

从发生了错误的页重新开始打印。

- **未在建议的使用条件下使用纸张**

每种纸张类型都有不同的建议使用条件。在各自的建议使用条件下使用不同纸张。

有关建议使用条件，请参见介质信息列表。

➔ [纸张信息列表](#)

- **正在使用的纸张无法执行自动裁切**

将卷纸的裁切方法设置为**用户裁切**，并使用剪刀等裁切工具裁切卷纸。

➔ [设置卷纸的切断方法](#)

有关可以执行**自动裁切**的纸张类型，请参见介质信息列表。

➔ [纸张信息列表](#)

如果不适用，则切刀刀片可能出现故障。

请与佳能客户支持中心联系。

原因

由于以下原因之一，收纸器无法卷收纸张。

- 纸张卡住，不能卷取了。
- 收纸器故障。

处理方法

- **超过收纸单元的许可容量**

请从收纸单元上取出纸张。

点击触摸屏上的 **OK** 以清除错误。

注 释

- 可以卷动纸张，直到被卷纸张的外径与纸管的外径相等。

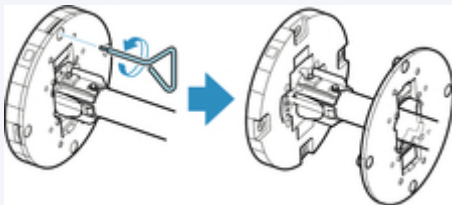
- **卡纸或无法卷回**

请从收纸器上清除纸张。

点击触摸屏上的 **OK** 以清除错误。

注 释

- 在轻质纸张上打印或进行无边距打印时，如果纸张边缘皱褶，则可能会触碰卷纸支架，使卷收效果不佳。如果使用 2 英寸纸管时发生此问题，请取下使用 4 颗六角螺丝固定在卷纸支架凸缘上的隔板。



- **收纸器故障**

请与佳能客户支持中心联系。

重要事项

- 如果收纸器出现错误，打印将暂停。如果不想停止打印，请将**收纸时跳过错误**设置为开。但是，存在发生卡纸或打印结果有问题的可能性。

4924

原因

装入的纸张不适合**色彩校准**。

处理方法

按照以下步骤重新进行**色彩校准**。

1. 点击触摸屏上的 **OK** 以清除错误。
2. 装入适合**色彩校准**的纸张。

有关适合的纸张，请参见介质信息列表。

➔ 纸张信息列表

确保打印机中的纸张与打印机介质类型设置中的纸张相同。如果装入的纸张与介质类型设置不同，打印机将无法正确校准。

4925

原因

部分内部打印机传感器的性能可能会受影响。

处理方法

点击触摸屏上的 **OK** 以停止**色彩校准**。

请与佳能客户支持中心联系。

4926

原因

附带的纸张尺寸不适合**色彩校准**。

处理方法

点击触摸屏上的 **OK** 以停止**色彩校准**。

装入适合**色彩校准**的纸张尺寸，然后重新进行**色彩校准**。

➔ [管理色彩](#)

➔ [执行色彩校准](#)

4927

原因

由于以下原因，**色彩校准**可能已失败。

- 要打印测试图形的纸张脏污。或安装了彩色纸张。
- 打印机暴露在直射阳光等强光下，这会导致传感器发生故障。
- 测试图形打印模糊。

处理方法

点击触摸屏上的 **OK** 清除错误，然后采取以下措施。

- 装入适合**色彩校准**的全新纸张。
- 进行调整以确保打印机不会暴露在强光下。
- 打印喷嘴检查图案以检查打印头状态。

如果图案有空隙或水平白色线条，则说明打印头喷嘴堵塞。清洗打印头。

➔ [检查喷嘴是否堵塞](#)

4931

原因

由于以下原因，**进纸调整**可能会失败。

- 要打印测试图形的纸张脏污。或安装了彩色纸张。
- 打印机暴露在直射阳光等强光下，这会导致传感器发生故障。
- 测试图形打印模糊。

处理方法

点击触摸屏上的 **OK** 清除错误，然后采取以下措施。

- 装入全新的纸张。
- 进行调整以确保打印机不会暴露在强光下。
- 打印喷嘴检查图案以检查打印头状态。

如果图案有空隙或水平白色线条，则说明打印头喷嘴堵塞。清洗打印头。

➔ [检查喷嘴是否堵塞](#)

4932

原因

因为打印机中装入高透明胶片类纸张，所以无法校准打印头。

处理方法

点击触摸屏上的 **OK** 以清除错误。

建议使用常用的非胶片纸张校准打印头。

➔ [自动调整纵向线条的歪斜或彩色边纹](#)

4933

原因

打印头喷嘴可能堵塞。

处理方法

按照以下步骤重新进行打印头对齐。

1. 点击触摸屏上的 **OK** 以清除错误。
2. 打印喷嘴检查图形，调查喷嘴的状态。
➔ [检查喷嘴是否堵塞](#)
3. 如果喷嘴堵塞，请清洗打印头。
➔ [清洗打印头](#)
4. 重新进行打印头对齐。
➔ [自动调整纵向线条的歪斜或彩色边纹](#)

4934

原因

打印头喷嘴可能堵塞。

处理方法

按照以下步骤重新进行打印头对齐。

1. 点击触摸屏上的 **OK** 以清除错误。
2. 打印喷嘴检查图形，调查喷嘴的状态。
 - ➔ [检查喷嘴是否堵塞](#)
3. 如果喷嘴堵塞，请清洗打印头。
 - ➔ [清洗打印头](#)
4. 重新进行打印头对齐。
 - ➔ [自动调整纵向线条的歪斜或彩色边纹](#)

4935

原因

打印头喷嘴可能堵塞。

处理方法

按照以下步骤重新进行打印头对齐。

1. 点击触摸屏上的 **OK** 以清除错误。
2. 打印喷嘴检查图形，调查喷嘴的状态。
 - ➔ [检查喷嘴是否堵塞](#)
3. 如果喷嘴堵塞，请清洗打印头。
 - ➔ [清洗打印头](#)
4. 重新进行打印头对齐。
 - ➔ [自动调整纵向线条的歪斜或彩色边纹](#)

4950

原因

WPS(单键方法)连接失败。

处理方法

按照触摸屏上的说明重新尝试连接无线 LAN 路由器。

4951

原因

AOSS (BUFFALO)连接失败。

处理方法

按照触摸屏上的说明重新尝试连接无线 LAN 路由器。

4952

原因

连接到无线 LAN 路由器失败。

处理方法

按照触摸屏上的说明重新尝试连接无线 LAN 路由器。

4953

原因

获取 IP 地址失败。

处理方法

检查触摸屏上显示的信息，然后重新尝试连接。

4954

原因

使用无电缆线设置设置无线 LAN 失败。

处理方法

点击触摸屏上的 **OK** 清除错误，然后重新进行设置。

4955

原因

IPv4/IPv6 设置已更改，但有线 LAN 和无线 LAN 均设置为**禁用**。

处理方法

在触摸屏上点击 **OK** 清除错误，然后将有线 LAN 和无线 LAN 设置为**启用**。

4956

原因

尝试更改 LAN 设置，但由于以下原因，均无法更改。

- 打印机正在运行
- 当前正在使用 RemoteUI 设置打印机

处理方法

点击触摸屏上的 **OK** 清除错误，退出其他进程，然后重新进行设置。

4957

原因

Raku Raku WLAN Start (NEC)连接失败。

处理方法

点击触摸屏上的 **OK** 清除错误，然后重新尝试连接。

4959

原因

直接连接失败。

也可能已请求**直接连接**但无法建立连接。

处理方法

点击触摸屏上的 **OK** 清除错误，然后重新尝试连接。

5106

原因

发生打印机错误。

处理方法

记录触摸屏上显示的详细错误代码(ECxx-xxxx)，然后关闭电源并拔出电源线。

请与佳能客户支持中心联系。

详细错误代码

EC03-4061

5200

原因

发生打印机错误。

处理方法

关闭电源并拔出电源线。

至少等待 10 秒，然后重新开启打印机。

如果再次出现错误，请记录触摸屏上显示的详细错误代码(ECxx-xxxx)，然后与 Canon 客户服务中心联系。

详细错误代码

EC21-2F76 EC21-2F77 EC21-2F78

5A60

原因

发生打印机错误。

处理方法

记录触摸屏上显示的详细错误代码(ECxx-xxxx)，然后关闭电源并拔出电源线。

请与佳能客户支持中心联系。

详细错误代码

EC33-4020 EC33-4021 EC33-4022 EC33-4023 EC33-4024 EC33-4025

EC33-4026 EC33-4028 EC33-4029 EC33-402A EC33-402B EC33-402D

5A61

原因

发生打印机错误。

处理方法

记录触摸屏上显示的详细错误代码(ECxx-xxxx)，然后关闭电源并拔出电源线。

请与佳能客户支持中心联系。

详细错误代码

EC3F-402F

5B16

原因

发生打印机错误。

处理方法

记录触摸屏上显示的详细错误代码(ECxx-xxxx)，然后关闭电源并拔出电源线。

请与佳能客户支持中心联系。

详细错误代码

EC22-4001

5B20

原因

发生打印机错误。

处理方法

记录触摸屏上显示的详细错误代码(ECxx-xxxx)，然后关闭电源并拔出电源线。

请与佳能客户支持中心联系。

详细错误代码

EC25-4001 EC41-4001 EC43-4001 EC44-4001 EC45-4001 EC47-4001

5B21

原因

发生打印机错误。

处理方法

记录触摸屏上显示的详细错误代码(ECxx-xxxx)，然后关闭电源并拔出电源线。

请与佳能客户支持中心联系。

详细错误代码

EC48-4001

5C00

原因

发生打印机错误。

处理方法

记录触摸屏上显示的详细错误代码(ECxx-xxxx)，然后关闭电源并拔出电源线。

请与佳能客户支持中心联系。

详细错误代码

EC31-4001

6502

原因

发生打印机错误。

处理方法

关闭电源并拔出电源线。

至少等待 10 秒，然后重新开启打印机。

如果再次出现错误，请记录触摸屏上显示的详细错误代码(ECxx-xxxx)，然后与 Canon 客户服务中心联系。

详细错误代码

EC56-2FE0

6700

原因

发生打印机错误。

处理方法

记录触摸屏上显示的详细错误代码(ECxx-xxxx)，然后关闭电源并拔出电源线。

请与佳能客户支持中心联系。

详细错误代码

EC57-404F

6702

原因

发生打印机错误。

处理方法

记录触摸屏上显示的详细错误代码(ECxx-xxxx)，然后关闭电源并拔出电源线。

请与佳能客户支持中心联系。

详细错误代码

EC57-4040

6820

原因

发生打印机错误。

处理方法

记录触摸屏上显示的详细错误代码(ECxx-xxxx)，然后关闭电源并拔出电源线。

请与佳能客户支持中心联系。

详细错误代码

EC07-4060 EC51-4041 EC51-4042 EC51-4045 EC51-4046 EC51-4047

EC51-404C EC51-404D EC51-404E EC51-4070 EC51-4071 EC51-4072

6900

原因

发生打印机错误。

处理方法

关闭电源并拔出电源线。

至少等待 10 秒，然后重新开启打印机。

如果再次出现错误，请记录触摸屏上显示的详细错误代码(ECxx-xxxx)，然后与 Canon 客户服务中心联系。

详细错误代码

EC51-3000

6901

原因

发生打印机错误。

处理方法

关闭电源并拔出电源线。

至少等待 10 秒，然后重新开启打印机。

如果再次出现错误，请记录触摸屏上显示的详细错误代码(ECxx-xxxx)，然后与 Canon 客户服务中心联系。

详细错误代码

EC51-3001

6902

原因

发生打印机错误。

处理方法

关闭电源并拔出电源线。

至少等待 10 秒，然后重新开启打印机。

如果再次出现错误，请记录触摸屏上显示的详细错误代码(ECxx-xxxx)，然后与 Canon 客户服务中心联系。

详细错误代码

EC51-3006

6910

原因

发生打印机错误。

处理方法

关闭电源并拔出电源线。

至少等待 10 秒，然后重新开启打印机。

如果再次出现错误，请记录触摸屏上显示的详细错误代码(ECxx-xxxx)，然后与 Canon 客户服务中心联系。

详细错误代码

EC51-3002

6911

原因

发生打印机错误。

处理方法

关闭电源并拔出电源线。

至少等待 10 秒，然后重新开启打印机。

如果再次出现错误，请记录触摸屏上显示的详细错误代码(ECxx-xxxx)，然后与 Canon 客户服务中心联系。

详细错误代码

EC51-3003

6920

原因

发生打印机错误。

处理方法

关闭电源并拔出电源线。

至少等待 10 秒，然后重新开启打印机。

如果再次出现错误，请记录触摸屏上显示的详细错误代码(ECxx-xxxx)，然后与 Canon 客户服务中心联系。

详细错误代码

EC51-3004

6921

原因

发生打印机错误。

处理方法

关闭电源并拔出电源线。

至少等待 10 秒，然后重新开启打印机。

如果再次出现错误，请记录触摸屏上显示的详细错误代码(ECxx-xxxx)，然后与 Canon 客户服务中心联系。

详细错误代码

EC51-3005

6930

原因

发生打印机错误。

处理方法

关闭电源并拔出电源线。

至少等待 10 秒，然后重新开启打印机。

如果再次出现错误，请记录触摸屏上显示的详细错误代码(ECxx-xxxx)，然后与 Canon 客户服务中心联系。

详细错误代码

EC51-3100

6931

原因

发生打印机错误。

处理方法

关闭电源并拔出电源线。

至少等待 10 秒，然后重新开启打印机。

如果再次出现错误，请记录触摸屏上显示的详细错误代码(ECxx-xxxx)，然后与 Canon 客户服务中心联系。

详细错误代码

EC51-3101

6932

原因

发生打印机错误。

处理方法

关闭电源并拔出电源线。

至少等待 10 秒，然后重新开启打印机。

如果再次出现错误，请记录触摸屏上显示的详细错误代码(ECxx-xxxx)，然后与 Canon 客户服务中心联系。

详细错误代码

EC51-3102

6933

原因

发生打印机错误。

处理方法

关闭电源并拔出电源线。

至少等待 10 秒，然后重新开启打印机。

如果再次出现错误，请记录触摸屏上显示的详细错误代码(ECxx-xxxx)，然后与 Canon 客户服务中心联系。

详细错误代码

EC51-3103

6940

原因

发生打印机错误。

处理方法

关闭电源并拔出电源线。

至少等待 10 秒，然后重新开启打印机。

如果再次出现错误，请记录触摸屏上显示的详细错误代码(ECxx-xxxx)，然后与 Canon 客户服务中心联系。

详细错误代码

EC51-3104

6941

原因

发生打印机错误。

处理方法

关闭电源并拔出电源线。

至少等待 10 秒，然后重新开启打印机。

如果再次出现错误，请记录触摸屏上显示的详细错误代码(ECxx-xxxx)，然后与 Canon 客户服务中心联系。

详细错误代码

EC51-3105

6942

原因

发生打印机错误。

处理方法

关闭电源并拔出电源线。

至少等待 10 秒，然后重新开启打印机。

如果再次出现错误，请记录触摸屏上显示的详细错误代码(ECxx-xxxx)，然后与 Canon 客户服务中心联系。

详细错误代码

EC51-3106

6943

原因

发生打印机错误。

处理方法

关闭电源并拔出电源线。

至少等待 10 秒，然后重新开启打印机。

如果再次出现错误，请记录触摸屏上显示的详细错误代码(ECxx-xxxx)，然后与 Canon 客户服务中心联系。

详细错误代码

EC51-3107

6944

原因

发生打印机错误。

处理方法

关闭电源并拔出电源线。

至少等待 10 秒，然后重新开启打印机。

如果再次出现错误，请记录触摸屏上显示的详细错误代码(ECxx-xxxx)，然后与 Canon 客户服务中心联系。

详细错误代码

EC51-3108

6945

原因

发生打印机错误。

处理方法

关闭电源并拔出电源线。

至少等待 10 秒，然后重新开启打印机。

如果再次出现错误，请记录触摸屏上显示的详细错误代码(ECxx-xxxx)，然后与 Canon 客户服务中心联系。

详细错误代码

EC51-3109

6946

原因

发生打印机错误。

处理方法

关闭电源并拔出电源线。

至少等待 10 秒，然后重新开启打印机。

如果再次出现错误，请记录触摸屏上显示的详细错误代码(ECxx-xxxx)，然后与 Canon 客户服务中心联系。

详细错误代码

EC51-3110

7001

原因

发生打印机错误。

处理方法

记录触摸屏上显示的详细错误代码(ECxx-xxxx)，然后关闭电源并拔出电源线。

请与佳能客户支持中心联系。

详细错误代码

EC54-401A

7003

原因

发生打印机错误。

处理方法

记录触摸屏上显示的详细错误代码(ECxx-xxxx)，然后关闭电源并拔出电源线。

请与佳能客户支持中心联系。

详细错误代码

EC54-405A

7004

原因

发生打印机错误。

处理方法

记录触摸屏上显示的详细错误代码(ECxx-xxxx)，然后关闭电源并拔出电源线。

请与佳能客户支持中心联系。

详细错误代码

EC54-405B

7050

原因

发生打印机错误。

处理方法

记录触摸屏上显示的详细错误代码(ECxx-xxxx)，然后关闭电源并拔出电源线。

请与佳能客户支持中心联系。

详细错误代码

EC51-5001

7051

原因

发生打印机错误。

处理方法

记录触摸屏上显示的详细错误代码(ECxx-xxxx)，然后关闭电源并拔出电源线。

请与佳能客户支持中心联系。

详细错误代码

EC51-5002

7052

原因

发生打印机错误。

处理方法

记录触摸屏上显示的详细错误代码(ECxx-xxxx)，然后关闭电源并拔出电源线。

请与佳能客户支持中心联系。

详细错误代码

EC51-5003

8200

原因

发生打印机错误。

处理方法

记录触摸屏上显示的详细错误代码(ECxx-xxxx)，然后关闭电源并拔出电源线。

请与佳能客户支持中心联系。

详细错误代码

EC24-4049 EC24-404A EC24-404B

9000

原因

发生打印机错误。

处理方法

记录触摸屏上显示的详细错误代码(ECxx-xxxx)，然后关闭电源并拔出电源线。

请与佳能客户支持中心联系。

详细错误代码

EC51-2F07

9110

原因

发生打印机错误。

处理方法

记录触摸屏上显示的详细错误代码(ECxx-xxxx)，然后关闭电源并拔出电源线。

请与佳能客户支持中心联系。

详细错误代码

EC52-4038 EC52-4039

B20A

原因

发生打印机错误。

处理方法

记录触摸屏上显示的详细错误代码(ECxx-xxxx)，然后关闭电源并拔出电源线。

请与佳能客户支持中心联系。

详细错误代码

EC03-403A EC03-403B

B510

原因

发生打印机错误。

处理方法

记录触摸屏上显示的详细错误代码(ECxx-xxxx)，然后关闭电源并拔出电源线。

请与佳能客户支持中心联系。

详细错误代码

EC32-4001