

2GB

MP3 Music Player  
PMP105-2



## User Guide

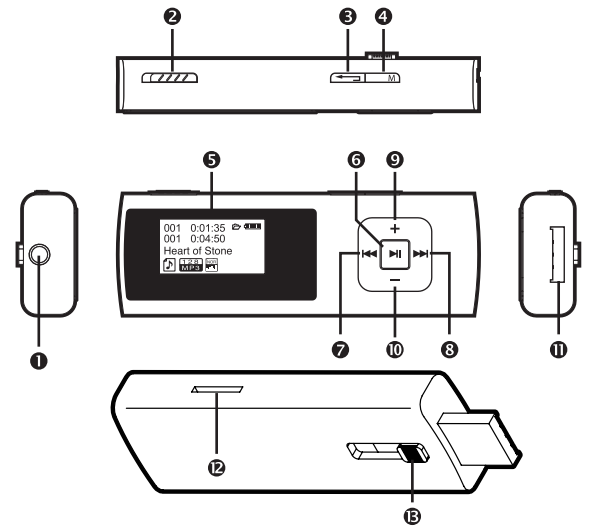
www.polaroid.com

Polaroid and Polaroid & Pixel are trademarks of PLR IP Holdings, LLC, used under license. PLR IP Holdings, LLC does not manufacture this product or provide any Manufacturer's Warranty or support.

## In the box



## Location of controls



- 1 3.5mm headphone jack
- 2 [On/off] Switch
- 3 [ ← ] Previous screen
- 4 [M] Select
- 5 LCD display
- 6 [ |II ] Play/pause
- 7 [ >> ] Next track
  - Scroll menu
  - Fast forward
- 8 [ << ] Previous track
  - Scroll menu
  - Fast rewind
- 9 [VOL +] Increase volume
- 10 [VOL -] Decrease volume
- 11 USB plug
- 12 Micro SD card slot
- B USB slider

**Customer Support:**  
 1-877-768-8483 (Toll Free)  
 polaroidsupport@southtelecom.com  
 Monday - Thursday: 9AM - 5PM (EST)  
 Friday: 9AM - 3PM (EST)

Should you have any questions or problems concerning this product, please contact our customer service department at:  
 WARRANTIES SHALL APPLY.  
 RELATED TO THIS PRODUCT, EXCEPT AS STATED HEREIN, NO OTHER DAMAGES FOR LOSS OF PROFITS, BUSINESS, SAVINGS, DATA OR RECORDS. PUNITIVE OR CONSEQUENTIAL DAMAGES (SUCH AS, BUT NOT LIMITED TO, HOLDINGS, LLC BE LIABLE FOR ANY INCIDENTAL, DIRECT, INDIRECT, SPECIAL, IN NO EVENT WILL ATT, ITS MANUFACTURERS, DISTRIBUTORS OR PLR IP ATTN: Returns Department  
 14-C 53rd Street Brooklyn, NY 11232

The shipping address of the authorized service center is:  
 to file a claim with the carrier.  
 defective. Products received damaged as a result of shipping, will require you will be repaired or replaced, at our option, for the same or similar model of - Describe the defect or reason you are returning the product. Your product number, and the defective unit within the package.  
 - Include a return shipping address (no P.O. Boxes), a telephone contact to insure your return.  
 - Prepay all shipping costs to the authorized service center, and remember TO OBTAIN WARRANTY SERVICE:  
 authorized service center for repair or exchange.  
 you may within one year from your original date of purchase return it to the purchase ("Warranty").  
 in the unlikely event that this product is defective, or does not perform properly, original consumer purchaser and is warranted by ATT against defects in material and workmanship for a period of one year from your date of purchase ("Warranty").  
 This Product is supplied and distributed new by ATT, Inc. ("ATT") to the authorized service center for repair or exchange.

## Limited Warranty

## Charging the battery

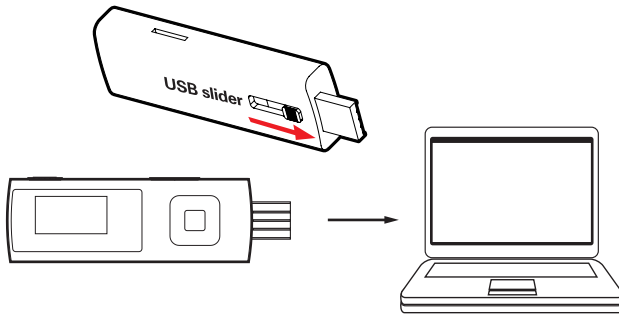
### System requirements

Your computer system must meet the following specifications:

- Windows 2000, SE, ME, XP, Vista, 7, Mac OS X
- Pentium Class or faster Processor
- 64MB RAM
- 30MB of free hard disk space
- USB Port

### Supported file formats: MP3, WMA, WAV

Slide out the USB plug and connect the player to the computer's USB port.



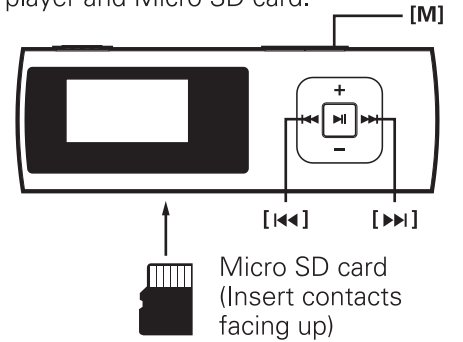
Charge the battery between 3-5 hours. Do not charge for more than 8 hours.

## Micro SD card

The player supports Micro SD cards (not included), which allow you to add up to 8GB additional memory to the MP3 Player.

To insert the Micro SD card:

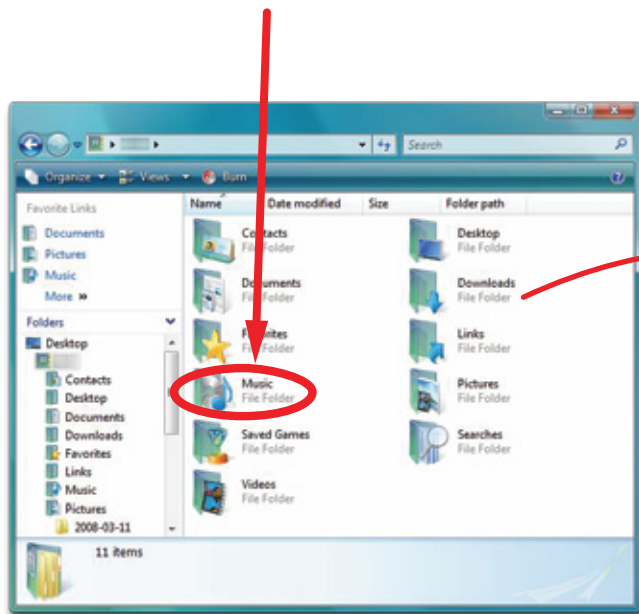
1. Insert the Micro SD card into the card slot with the metal contacts facing up towards the front of the player and gently push it in until it clicks. Do not apply excessive force, as this may damage the player and Micro SD card.



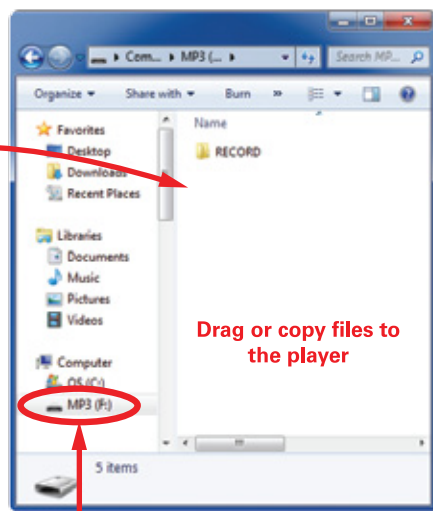
2. To view files on the Micro SD card, press the [M] button while in the music mode to enter "Music menu 2" and use the [ << ] or [ >> ] button to select "Card folder".
3. To remove the Micro SD card, gently push it in until it pops out.

## Transferring media files to the player

1. Find music files on your computer.



2. Connect the MP3 Player to your computer, and locate "MP3".
3. Drag the files into the player as shown below.



Drag or copy files to the player

Locate "MP3"

\*Screenshots above may be slightly different than your computer's operating system.

**i** It is also possible to delete files on the player while connected to the computer. Select the file and press the delete key of the computer's keyboard.

## Using the player

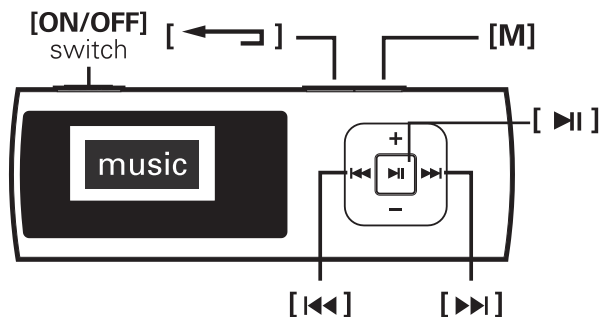
### Power on/off

- To turn on the player, make sure the [ON/OFF] switch is in the "ON" position and press and HOLD the [ |II ] button until the display lights up.
- To turn off the player, press and HOLD the [ |II ] button until the display shuts off, or slide the [ON/OFF] switch to the "OFF" position (shutting the player this way is quicker but the last changes in the settings, or last played song will not be saved).

### Navigating the main menu

After turning on the player, the main menu appears.

- [ << >> ] scroll through the main menu
- [M] makes a selection
- [ ← ] previous screen

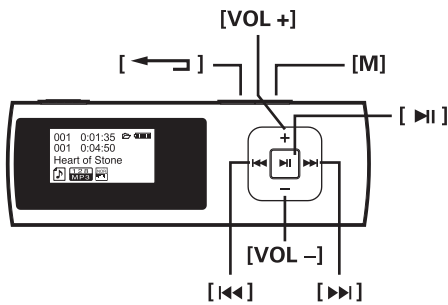


## Music

To play music, select "music" from the main menu and press the **[M]** button to enter the music mode.

- [▶||]** play/pause music
- [◀◀]** previous track
- [▶▶]** next track
- [M]** press to access music menus 1 & 2
- [VOL -]** decrease volume
- [VOL +]** increase volume
- [←]** previous screen

Press and HOLD the **[◀◀]** or **[▶▶]** button to fast rewind or fast forward while playing a song.



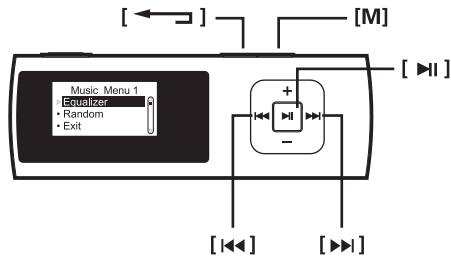
**i** To browse the music files on the player, refer to "music menu 2"

## Music menu 1

While music is playing, press the **[M]** button to access menu 1.

Select from the following options:

- Equalizer
- Random / Normal (music playback order)
- Exit



## Menu control

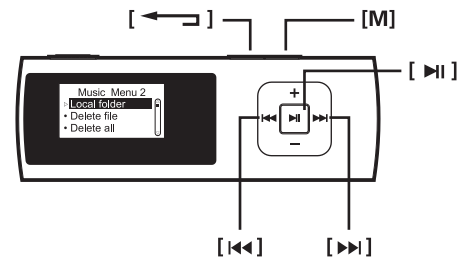
- [▶||]** play/pause music
- [◀◀ ▶▶]** scroll through options
- [M]** press to select
- [←]** previous screen

## Music menu 2

While music is paused, press the **[M]** button to access menu 2.

Select from the following options:

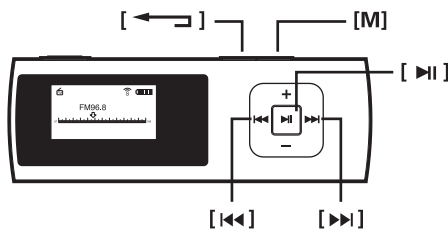
- Local folder (search for music files on the player)
- Card folder (only appears when a Micro SD card is inserted in the player)
- Delete file (delete the current file)
- Delete all
- Exit



To browse the music files on the player, select "Local folder" or "Card folder" and use the **[◀◀ ▶▶]** buttons to scroll through the music files on the player. Select a song and press the **[M]** button, and press **[▶||]** to begin playback.

## Radio

To listen to the radio, select "radio" from the main menu and press the **[M]** button to enter the radio mode.



## Storing radio stations

Manually

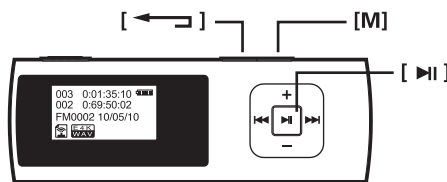
- 1) Use the **[◀◀]** or **[▶▶]** button to manually search for a station.
- 2) Press the **[M]** button and select "Save" from the radio mode menu and press the **[M]** button once again.
- 3) Use the **[▶||]** button to scroll through the stored stations.

Auto scanning

- 1) Press the **[M]** button and select "Auto Search" from the radio mode menu and press the **[M]** button once again, the player will search and save the strongest stations in your area.
- 2) Use the **[▶||]** button to scroll through the stored stations.

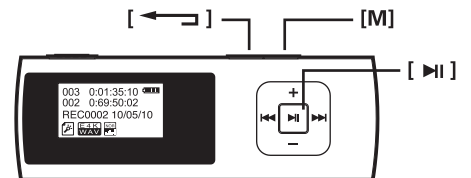
## Deleting stored stations

- 1) Press the **[M]** button and select "Delete" or "Delete all" from the radio mode menu and press the **[M]** button once again.
- 2) The selected station or all stations will be deleted from the player.



## Recording radio

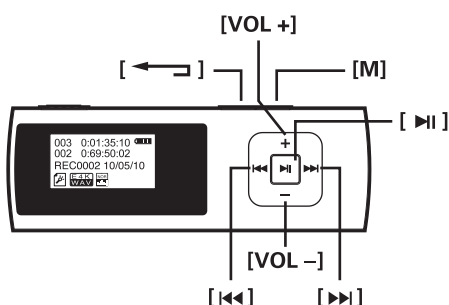
- 1) Press the **[M]** button and select "Record" from the radio mode menu and press the **[M]** button once again.
- 2) Press the **[▶||]** button to begin or pause recording.
- 3) Press the **[←]** button to save the recording.
- 4) The recorded file may be played back from "memos" from the main menu.



## Memos

To play back recorded voice memos, select "memos" from the main menu and press the **[M]** button to enter the voice memos mode.

- [▶||]** play/pause
- [◀◀ ▶▶]** scroll through voice memos
- [VOL -]** decrease volume
- [VOL +]** increase volume
- [M]** press to access voice memos menu
- [←]** previous screen



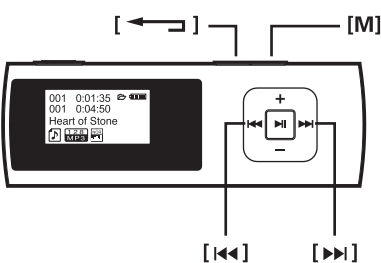
**i** Press **[M]** to access the memos menu where you can view and delete voice memo files from the player.

## Settings

In the settings menu you can customize various player settings such as power usage, language, display settings and more.

Select "settings" from the main menu and press the **[M]** button to enter the settings mode.

Use the **[◀◀]** or **[▶▶]** button to choose the setting you want to customize, and press the **[M]** button to make selections.



**i** Adjust the "Backlight Time" and "Power off" options to extend and optimize battery performance.

## Record

To record voice memos, select "record" from the main menu and press the **[M]** button to enter the recording mode.

Press the **[▶||]** button to start recording.

To pause recording, press the **[▶||]** button again.

To save the recording and exit to the main menu, press the **[←]** button.

## Legal information

### FCC Part 15:

This equipment has been tested and found to comply with the requirements for a Class B digital device under Part 15 of the Federal Communications Commission (FCC) rules. These requirements are intended to provide reasonable protection against harmful interference in a residential installation. This equipment generates, uses and can radiate radio frequency energy and, if not installed and used in accordance with the instructions, may cause harmful interference to radio communications. However, there is no guarantee that interference will not occur in a particular installation. If this equipment does cause harmful interference to radio or television reception, which can be determined by turning the equipment off and on, the user is encouraged to try to correct the interference by one or more of the following measures:

- Re-orient or relocate the receiving antenna.
- Increase the separation between the equipment and receiver.
- Connect the equipment into an outlet on a circuit different from that to which the receiver is connected.
- Consult the dealer or an experienced radio/TV technician for help.

Do not attempt to repair or modify this equipment. Warning: Changes or modifications to this equipment not expressly approved by the party responsible for compliance could void the user's authority to operate the equipment. "This device complies with Part 15 of the FCC Rules. Operation is subject to the following two conditions:

- (1) this device may not cause harmful interference, and
- (2) this device must accept any interference received, including interference that may cause undesired operation."

PLR IP Holdings, LLC, its licensees and affiliates, fully supports all electronic waste initiatives. As responsible stewards of the environment, and to avoid violating established laws, you should properly dispose of this product in compliance with all applicable regulations, directives or other governances in the area where you reside. Please check with local authorities or the retailer where you purchased this product to determine a location where you can appropriately dispose of the product.

You may also go to [HYPERLINK "http://www.polaroid.com"](http://www.polaroid.com) www.polaroid.com and reference About / Electronic Recycling to learn more about the specific laws in your area and to locate a collection facility near your home.

If your electronic device has internal memory on which personal or other confidential data may be stored, you may want to perform a data sanitization process before you dispose of your device to assure another party cannot access your personal data. Data sanitization varies by the type of product and its software, and you may want to research the best sanitization process for your device before disposal. You may also check with your local recycling facility to determine their data sanitization procedures during the recycling process.